

4

3

2

1

THIS DRAWING IS UNPUBLISHED.

RELEASED FOR PUBLICATION

20

© COPYRIGHT 20

BY -

ALL RIGHTS RESERVED.

REVISIONS

P	LTR	DESCRIPTION	DATE	DWN	APVD
	A	INITIAL RELEASE	30NOV2016	C.W	SY.W
	AI	ECO-17-018258	14DEC2017	X.X	Y.W
	B	ECO-18-007289	11JUL2018	X.X	D.L
	C	ECR-20-015780(Lower realy protection wall)	27MAY2021	X.X	D.L

Top view of the Mini Relay Holder Assembly. Dimensions: 34.1 ± 0.2 (height), 33.8 ± 0.2 (width). Callouts: 1 (Housing), 2 (Retainer), 3 (Interface drawing for housing mounting). Part numbers: PBT-GF20, 2295764-1, PBT-GF20, 2295764-1.

3D perspective view of the Mini Relay Holder Assembly. Callouts: 1 (Housing), 2 (Retainer), 3 (Interface drawing for housing mounting).

NOTE

1. PLEASE REFER TO TABLE I FOR CONTACT INFORMATION
 2. RETAINERS SUPPLIED IN OPEN POSITION
 3. INTERFACE DRAWING FOR HOUSING MOUNTING: 114-101091

Front view of the Mini Relay Holder Assembly. Dimension: (34.25) (height).

Side view of the Mini Relay Holder Assembly. Dimensions: (29.1) (width), 27.25 ± 0.20 (height).

P/N	DESCRIPTION	REV
2-2295764-1	MINI RELAY HOLDER ASSY	A
1-2295764-1	MINI RELAY HOLDER	C
2295764-1	MINI RELAY HOLDER ASSY	C

ITEM	DESCRIPTION	MATERIAL	COLOUR	QTY		
4	RETAINER	PBT-GF20	NATURE	-	-	1
3	HOUSING	PBT-GF10	BLACK	-	-	1
2	RETAINER	PBT-GF20	RED	1	-	-
1	HOUSING	PBT-GF20	BLACK	1	1	-

TAB I

CONTACT TYPE	PART NO.	WIRE RANGE MM ²
FASTON 6.3	1897659-1	0.3-0.5
	1897660-1	0.75-1.25
	1897661-1	2.0-3.0
MCP6.3/4.8K	1241404-1	1.0-2.5
	1241406-1	2.5-4.0
	1241408-1	4.0-6.0

THIS DRAWING IS A CONTROLLED DOCUMENT.

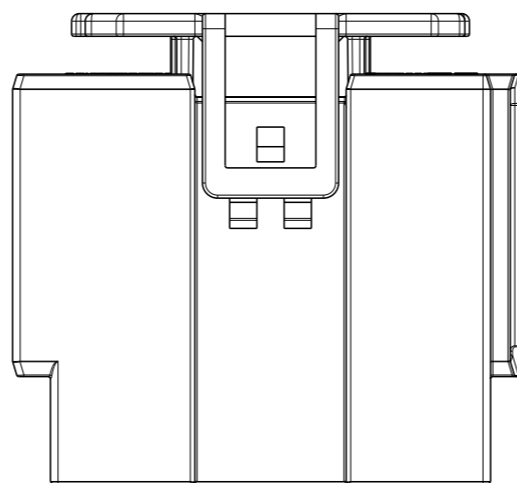
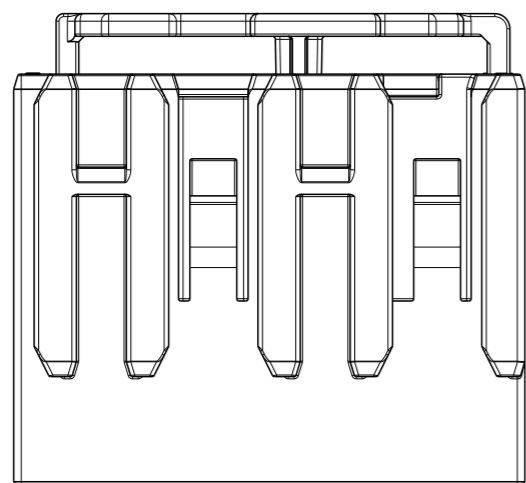
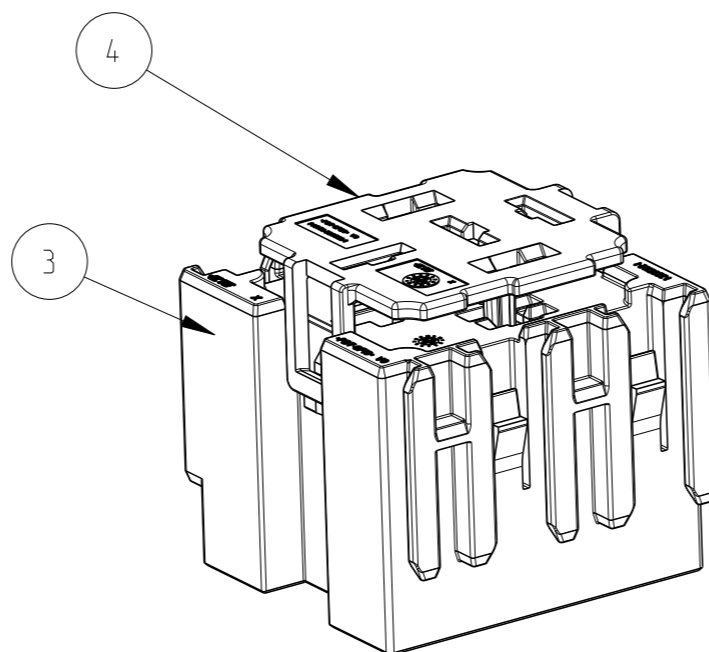
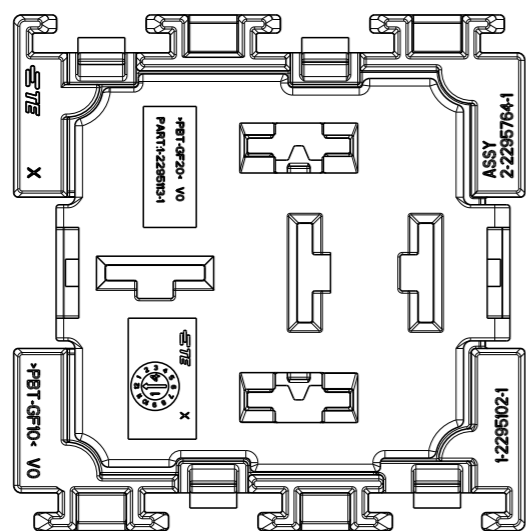
DIMENSIONS:	TOLERANCES UNLESS OTHERWISE SPECIFIED:
mm	
	0 PLC ±-
	1 PLC ±0.30
	2 PLC ±0.15
	3 PLC ±-
	4 PLC ±-
	ANGLES ±-
MATERIAL	FINISH
-	-

DWN	05-Dec-16
CHARLES WAN	
CHK	05-Dec-16
ARIEAL DANG	
APVD	05-Dec-16
SUIYA WANG	
PRODUCT SPEC	108-101418
APPLICATION SPEC	-
WEIGHT	-
CUSTOMER DRAWING	

NAME			
-			
MINI RELAY HOLDER ASSEMBLY			
-			
SIZE	CAGE CODE	DRAWING NO	RESTRICTED TO
A3	00779	C-2295764	-
SCALE	SHEET	OF	REV
2:1	1	2	C

1470-19 (3/13)

P	LTR	DESCRIPTION	DATE	DWN	APVD
-	-	SEE SHEET 1	-	-	-



2-2295764-1 AS SHOWN

THIS DRAWING IS A CONTROLLED DOCUMENT.

DIMENSIONS: mm	TOLERANCES UNLESS OTHERWISE SPECIFIED:
	0 PLC ±-
	1 PLC ±0.30
	2 PLC ±0.15
	3 PLC ±-
	4 PLC ±-
	ANGLES ±-
MATERIAL	FINISH
-	-

DWN	05-Dec-16
CHARLES WAN	
CHK	05-Dec-16
ARIEAL DANG	
APVD	05-Dec-16
SUIYA WANG	
PRODUCT SPEC	108-101418
APPLICATION SPEC	-
WEIGHT	-
CUSTOMER DRAWING	

		NAME	
		-	
MINI RELAY HOLDER ASSEMBLY		RESTRICTED TO	
SIZE	CAGE CODE	DRAWING NO	
A3	00779	C-2295764	-
SCALE	SHEET	OF	REV
2:1	2	2	C

X-ON Electronics

Largest Supplier of Electrical and Electronic Components

Click to view similar products for [Automotive Connectors](#) category:

Click to view products by [TE Connectivity](#) manufacturer:

Other Similar products are found below :

[003-018-000](#) [60993906-B](#) [72.330.1035.1](#) [F358300-B](#) [F407400](#) [776880-1](#) [827153-1](#) [8N1515-32-24P](#) [9-1326729-8](#) [925474-1](#) [928905-1](#)
[964562-4](#) [968782-1](#) [98891-1012](#) [12004475-L](#) [12041318-B](#) [12052466](#) [12015909](#) [1-21030-1](#) [12041318](#) [12047957](#) [12185550](#) [12336-12](#)
[12147304](#) [1-326211-1](#) [13681974](#) [13783086](#) [13832576](#) [13542772](#) [13675513](#) [1428188-1](#) [1437287-3](#) [1428188-2](#) [DS07-19S-5020](#) [1456983-5](#)
[1456987-7](#) [APD-7CP-H](#) [APK-SB25A10L](#) [1452931-2](#) [15336198](#) [15491972](#) [15305306](#) [15396680](#) [15425613](#) [15518544](#) [15522351](#) [1719636-1](#)
[172190-2](#) [172190-5](#) [192900-0402](#)