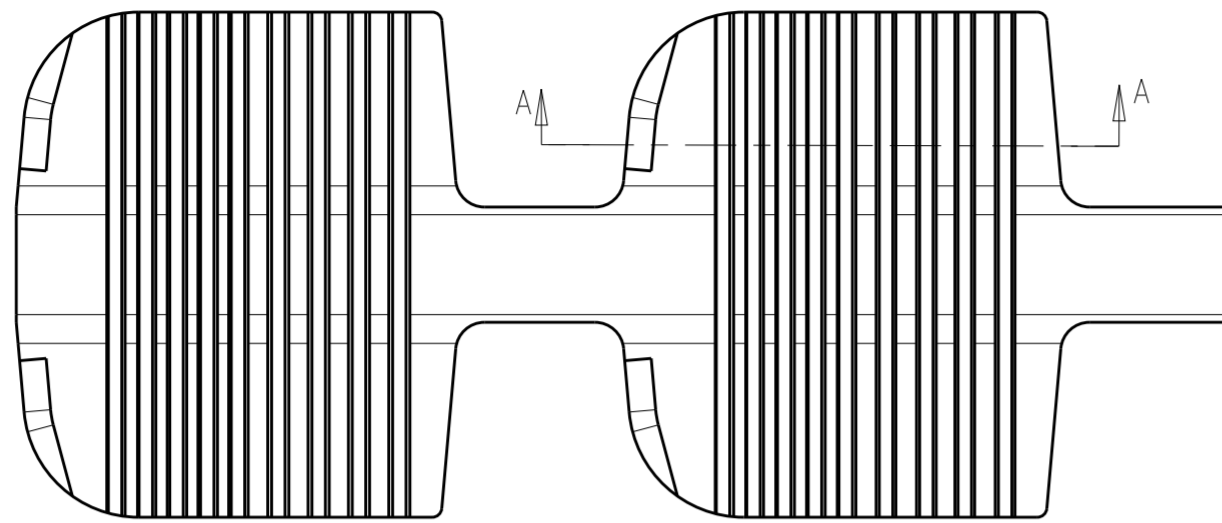


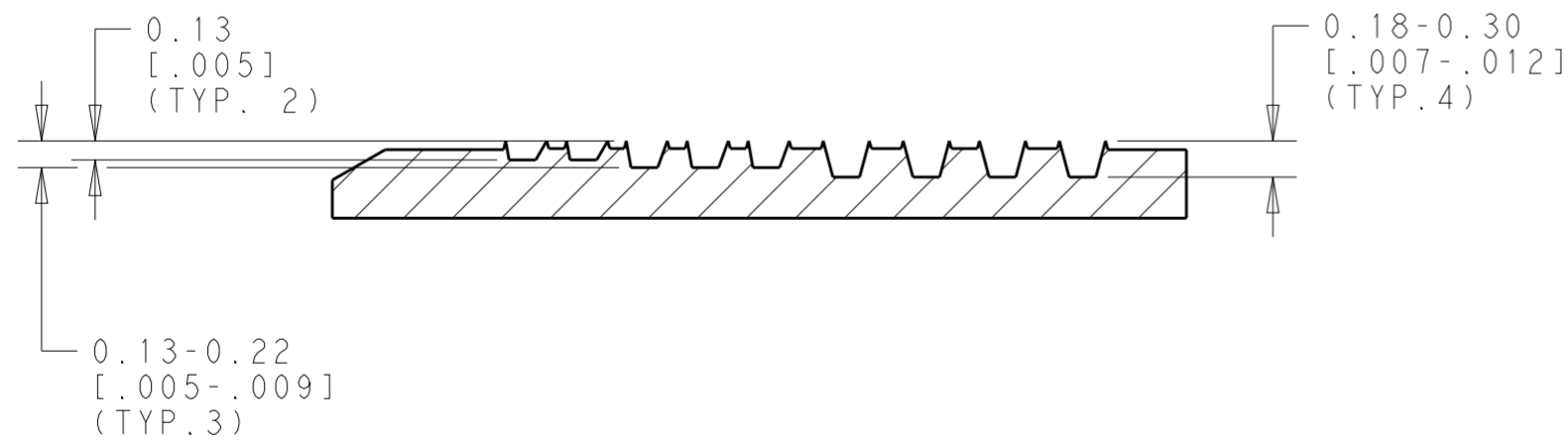
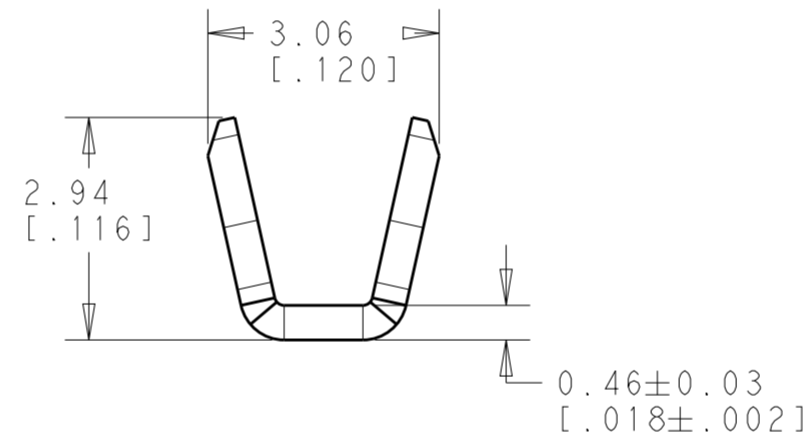
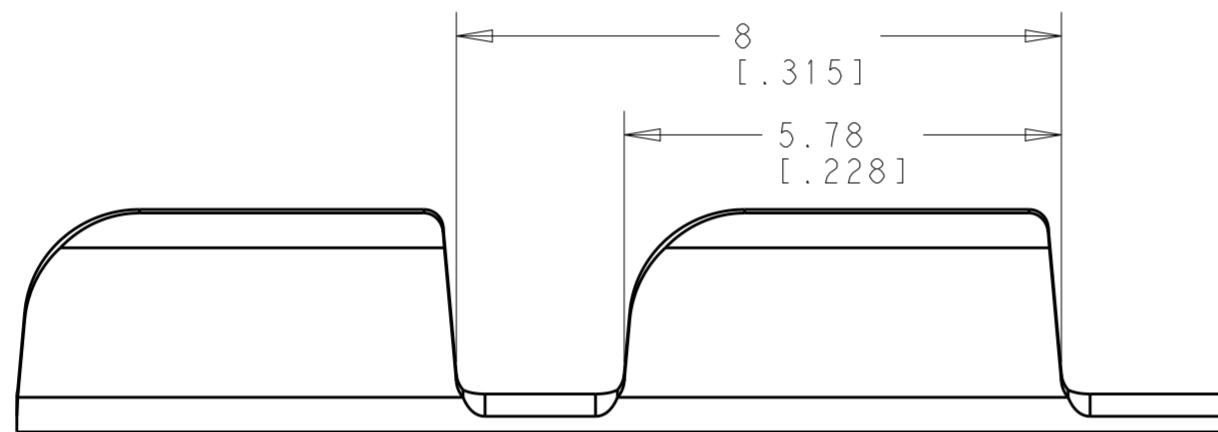
THIS DRAWING IS UNPUBLISHED. RELEASED FOR PUBLICATION 20  
 © COPYRIGHT 20 BY - ALL RIGHTS RESERVED.

REVISIONS				
P	LTR	DESCRIPTION	DATE	APVD
A		INITIAL RELEASE	22 JUN 16	JH TIM

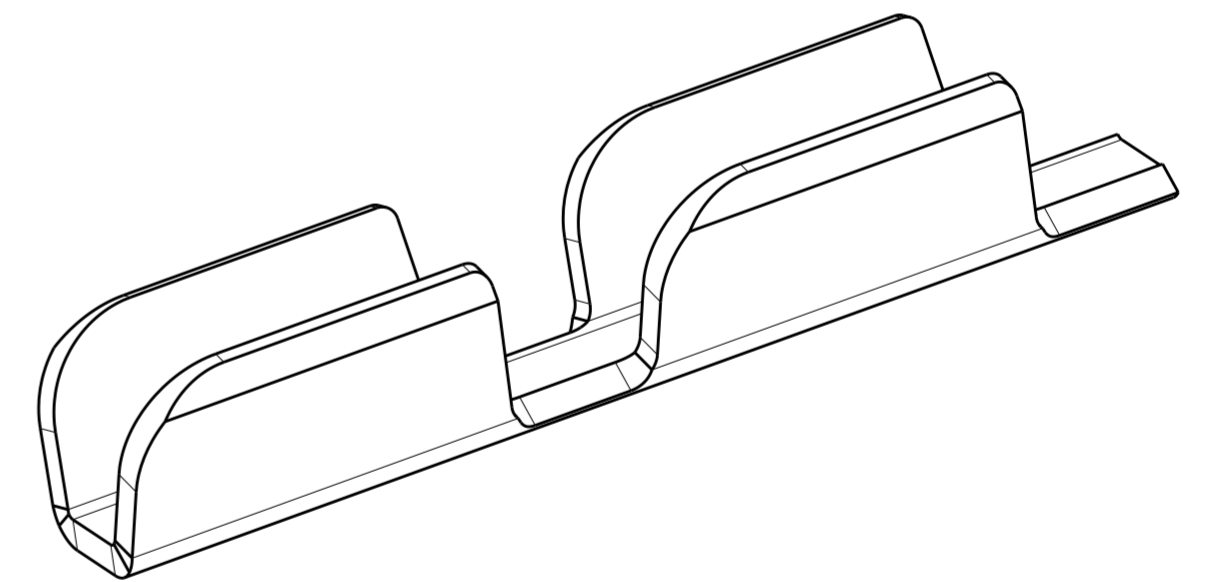


9 AMPLIVAR SERRATIONS

- 1 PRODUCT PROVIDED IN STRIP FORM ON REELS; BREAKS MAY BE PRESENT
- 2 DIMENSION IN BRACKETS ARE IN INCHES
- 3 CRIMP WIDTH: .090 F (AMPLIVAR TYPE)  
CRIMP HEIGHT (+/- .002) = (TOTAL CMA + 6950)/150000
- 4 USE WITH ALUMINUM WIRE.



SECTION A - A  
SCALE 20:1



2296314-1  
PART NO.

THIS DRAWING IS A CONTROLLED DOCUMENT.		DWN GARY.Z 29OCT2015	TE Connectivity	
DIMENSIONS: mm [INCHES]		CHK JAIN.L 29OCT2015		
TOLERANCES UNLESS OTHERWISE SPECIFIED:		APVD RAJENDRA 29OCT2015	NAME AMPLIVAR SPLICE 1000-2500 CMA	
0 PLC ±- 1 PLC ±.1 2 PLC ±0.38 [.015] 3 PLC ±.001 4 PLC ±.0001 ANGLES ±2° FINISH		PRODUCT SPEC 108-32030	SIZE A2	RESTRICTED TO -
MATERIAL BRASS	FINISH TIN	APPLICATION SPEC 114-2003	CAGE CODE -	DRAWING NO. C-2296314
		WEIGHT -	SCALE 10:1	SHEET 1 OF 1 REV A
		CUSTOMER DRAWING		

## X-ON Electronics

Largest Supplier of Electrical and Electronic Components

*Click to view similar products for [Terminals](#) category:*

*Click to view products by [TE Connectivity](#) manufacturer:*

Other Similar products are found below :

[00-054007-01074-6](#) [00-054007-70206-1](#) [00-054007-70210-8](#) [00-054007-70217-7](#) [00-054007-70226-9](#) [00-054007-70228-3](#) [00-054007-70248-1](#) [00-054007-70256-6](#) [00-054007-70301-3](#) [00-054007-70316-7](#) [00-054007-49560-4](#) [00-054007-70209-2](#) [00-054007-70225-2](#) [00-054007-70227-6](#) [00-054007-70231-3](#) [00-054007-70241-2](#) [00-054007-70242-9](#) [00-054007-70244-3](#) [00-054007-70246-7](#) [00-054007-70263-4](#) [00-054007-70288-7](#) [00-054007-70290-0](#) [00-054007-70300-6](#) [00-054007-70304-4](#) [01-2065-1-0216](#) [01-2900-1-04412](#) [00581P0075](#) [600TS-10](#) [60205-1](#) [604200-1](#) [605601-1](#) [60598-1-CUT-TAPE](#) [61314-6-C](#) [61810-3](#) [61-S](#) [61-SN](#) [626-0194](#) [62-NBM-A](#) [62-SN](#) [62-SP](#) [63-S](#) [640179-1](#) [M55155/059I03](#) [M55155/079C01](#) [M55155/099H02](#) [M55155/109H01](#) [M55155/109H02](#) [M55155/12XH05](#) [M55155/16XH02](#) [M55155/29-5S](#)