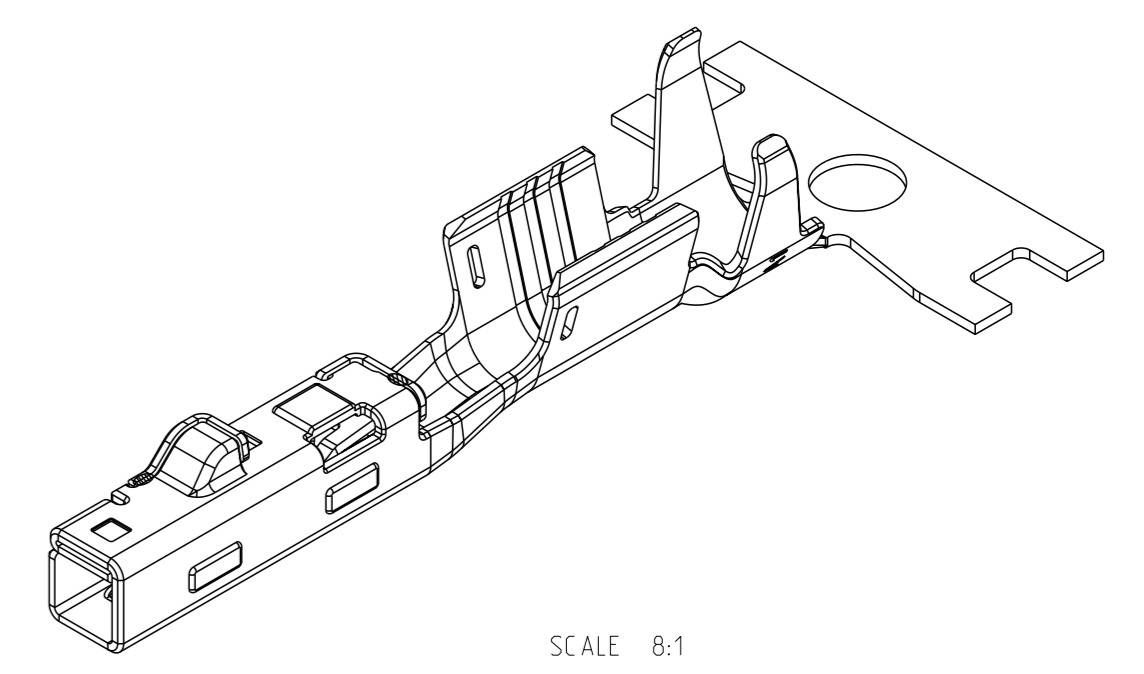
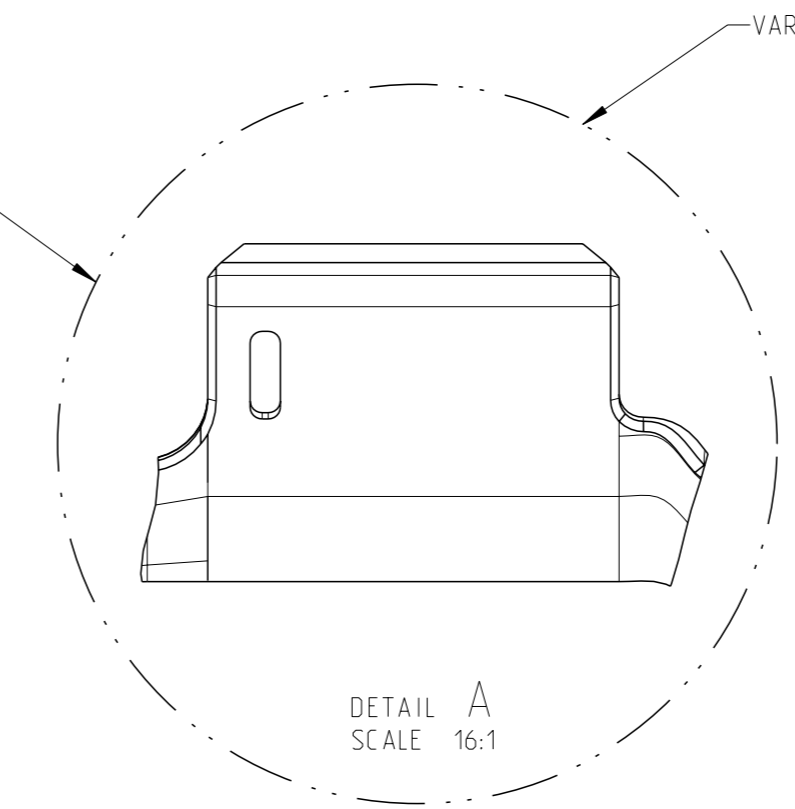
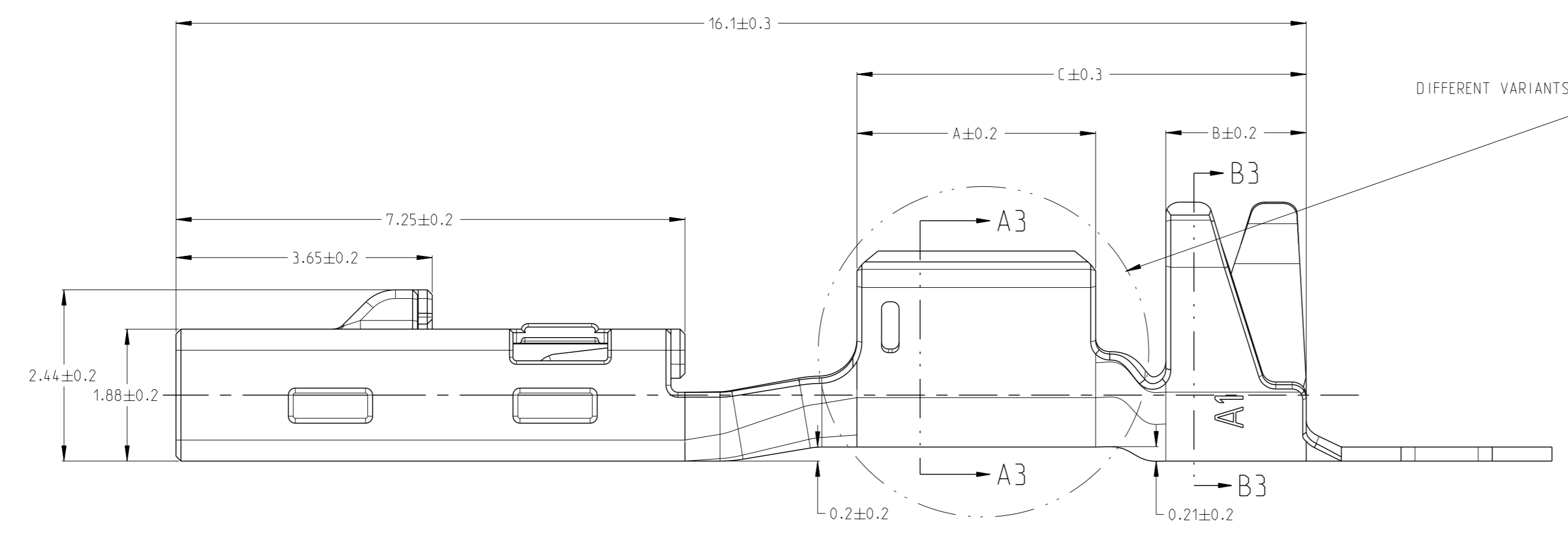
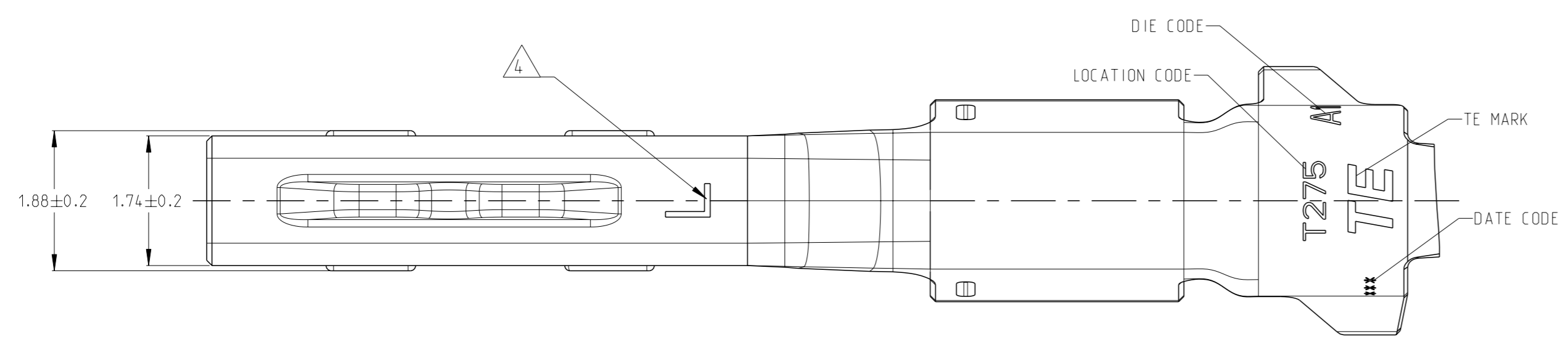
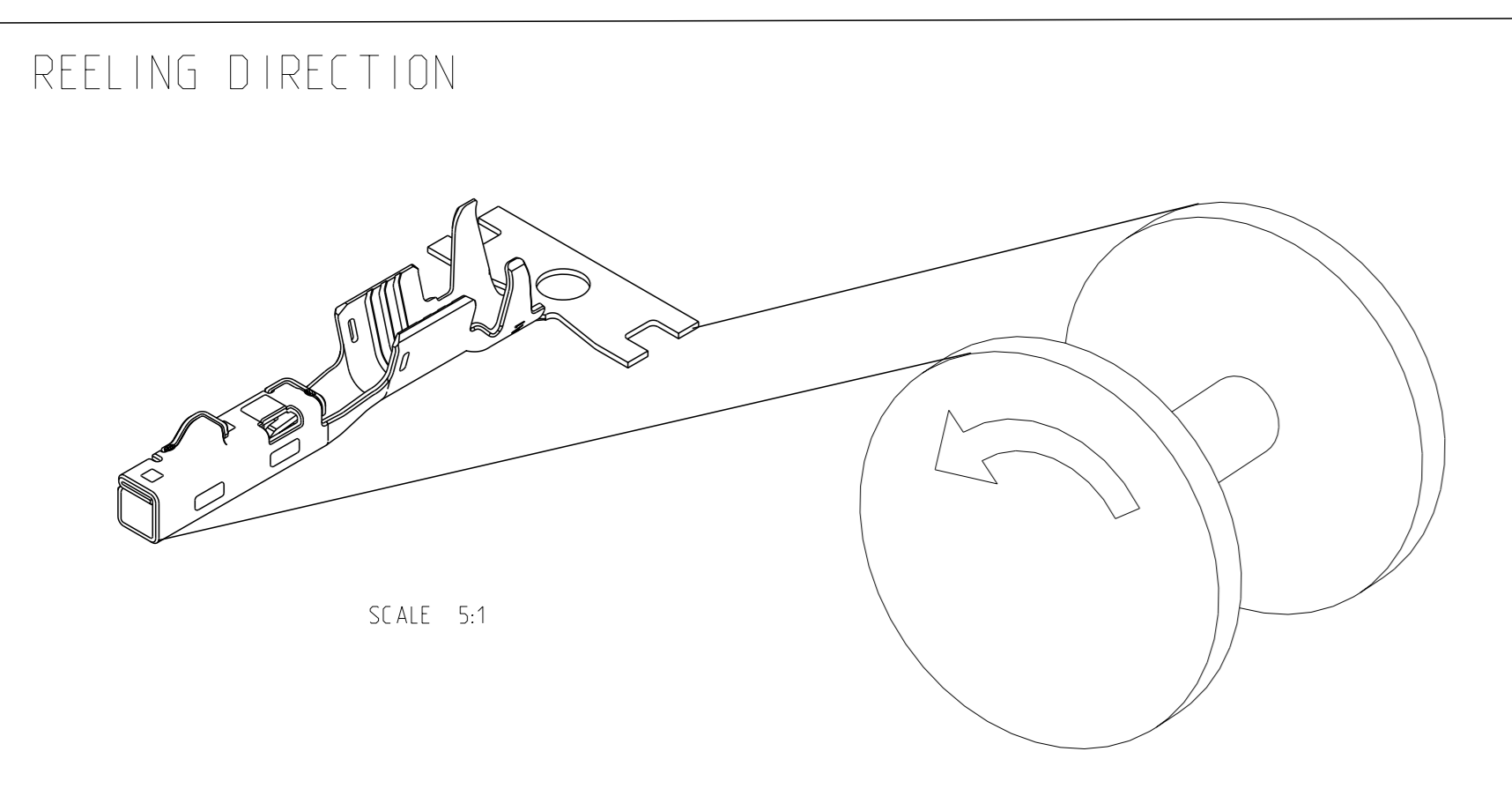
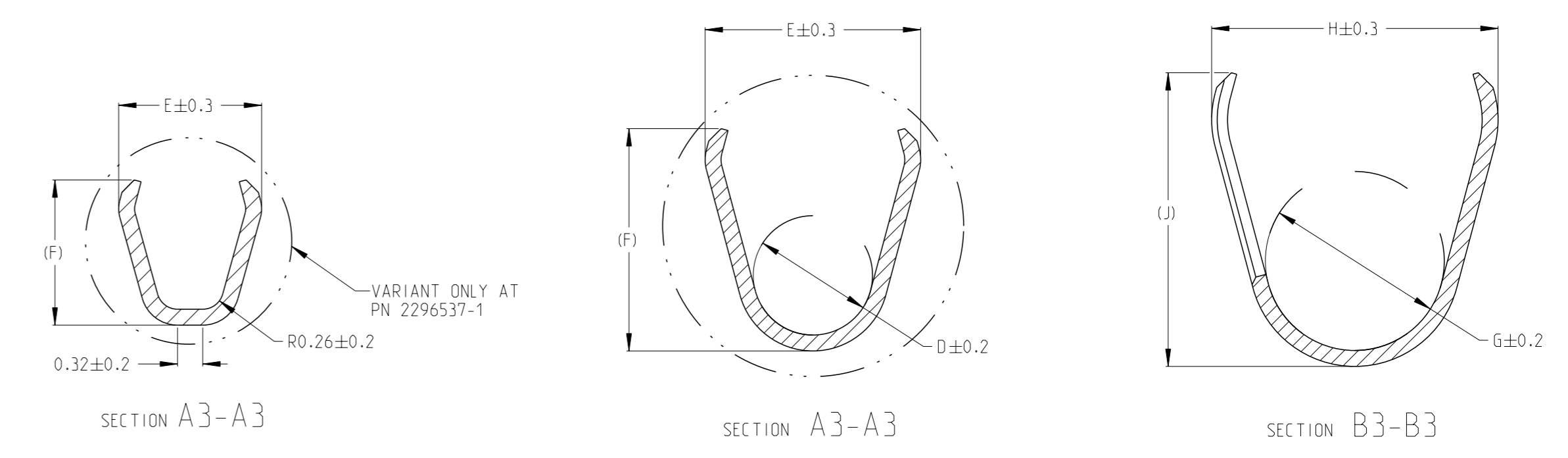
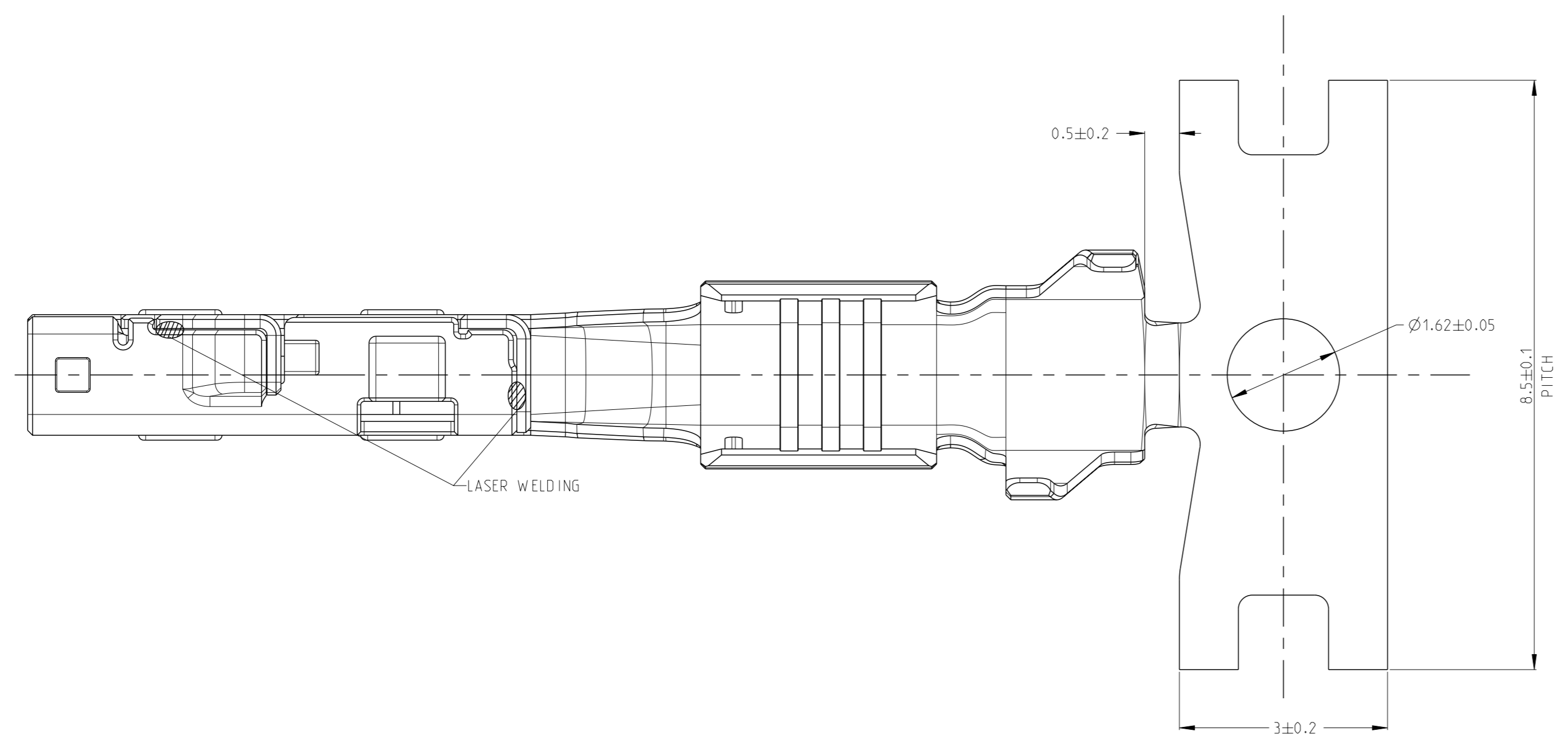


REVISIONS				
#	LY#	DESCRIPTION	DATE	OWN APVD
A1		REVISE	22 JUL 2020	J.Y. E.J.



1. TERMINAL DESIGNED TO BE USED WITH FLR CABLE
 2. MAX. 9 TERMINAL MISSING PER REEL PERMITTED
 3. 3 LOOSE SPLICES PER REEL PERMITTED
- △ WIRE SIZE MARK, PLEASE SEE TABLE



2296537-3	A	1.0-1.5mm ²	1.9-2.4mm	L	CuNiSi	PRE-TIN	3.4	2.0	6.4	1.5	2.7	2.8	2.25	3.6	3.7
2296537-2	A	0.5-0.75mm ²	1.4-1.9mm	M			3.2	1.8	6.0	1.1	2.0	2.2	1.6	2.8	2.9
2296537-1	A	0.22-0.35mm ²	1.1-1.4mm	S			2.9	2.0	6.0	-	1.8	1.8	1.3	2.35	2.5
PART NUMBER	REV.	WIRE RANGE	INSULATION RANGE	WIRE SIZE MARK	MATERIAL	FINISH	LENGHT			WIRE CRIMP			INSULATION CRIMP		

THIS DRAWING IS A CONTROLLED DOCUMENT.

DIMENSIONS:	TOLERANCES UNLESS OTHERWISE SPECIFIED:	OWN: G.ZHANG 21DEC2017	CHK: E.JIANG 21DEC2017	APVD: LYIN 21DEC2017
mm	±0.2	NAME: FEMALE TERMINAL, TIN PLATED, REM MONO 1.2, CLEAN BODY	PRODUCT SPEC: 108-101426	APPLICATION SPEC: 114-101043
MATERIAL:	FINISH:	SIZE: A1	CAGE CODE: -	DRAWING NO: C=2296537
		WEIGHT:		RESTRICTED TO: -

CUSTOMER DRAWING SCALE 16:1 SHEET 1 OF 1 REV A1

X-ON Electronics

Largest Supplier of Electrical and Electronic Components

Click to view similar products for [Headers & Wire Housings](#) category:

Click to view products by [TE Connectivity](#) manufacturer:

Other Similar products are found below :

[0015917161](#) [0022155065](#) [57102-F02-18ULF](#) [58102-G61-06LF](#) [582553-1](#) [01.001.5753.1](#) [0050291907](#) [02.125.8002.8](#) [609-3404](#) [61062-3](#)
[CSU011177004](#) [622-0430](#) [622-3653LF](#) [63453-116](#) [636-1030](#) [636-1427](#) [636-3427](#) [636-4007](#) [641938-9](#) [65495-038](#) [65692-001LF](#) [65781-018](#)
[65781-047](#) [65817-010LF](#) [65817-015LF](#) [67095-007LF](#) [67601157](#) [68631-112](#) [68645-018](#) [699319-000](#) [70.362.1628.0](#) [70-4210](#) [70-4226B](#) [70-](#)
[4853B](#) [71.350.2428.0](#) [733-134](#) [733-162](#) [760-3052](#) [MHR-64-VUAL](#) [80.063.4001.1](#) [800-90-001-10-001000](#) [801-43-002-10-013000](#)
[801-43-006-10-002000](#) [803-43-024-10-001000](#) [803-93-012-10-001000](#) [8-1437020-4](#) [819-22-004-30-001101](#) [820-22-006-30-001101](#)
[820-22-008-30-001101](#) [821-22-002-10-001101](#)