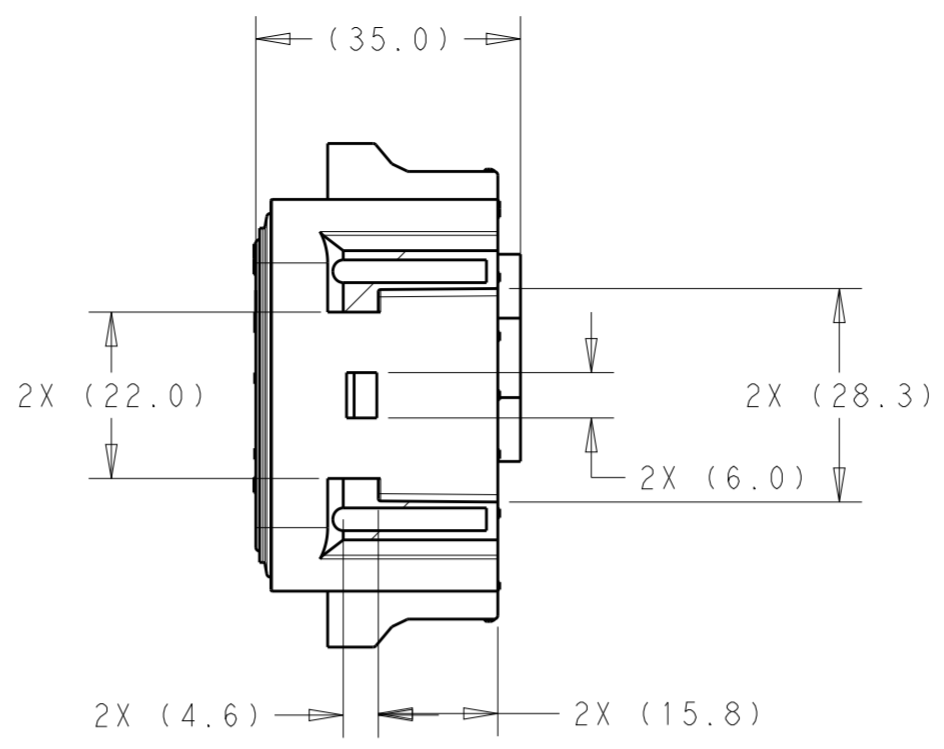
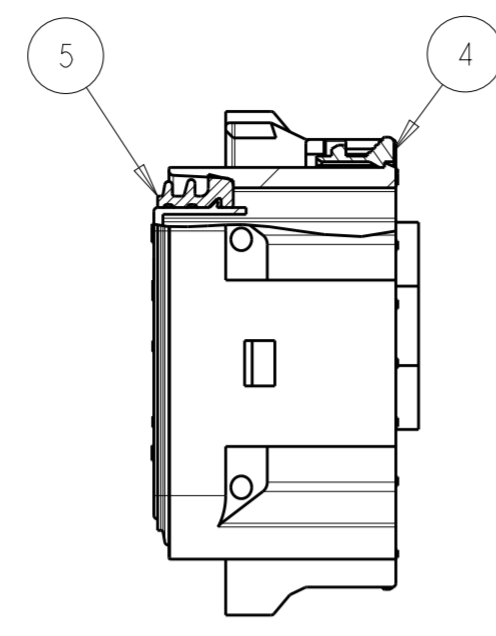
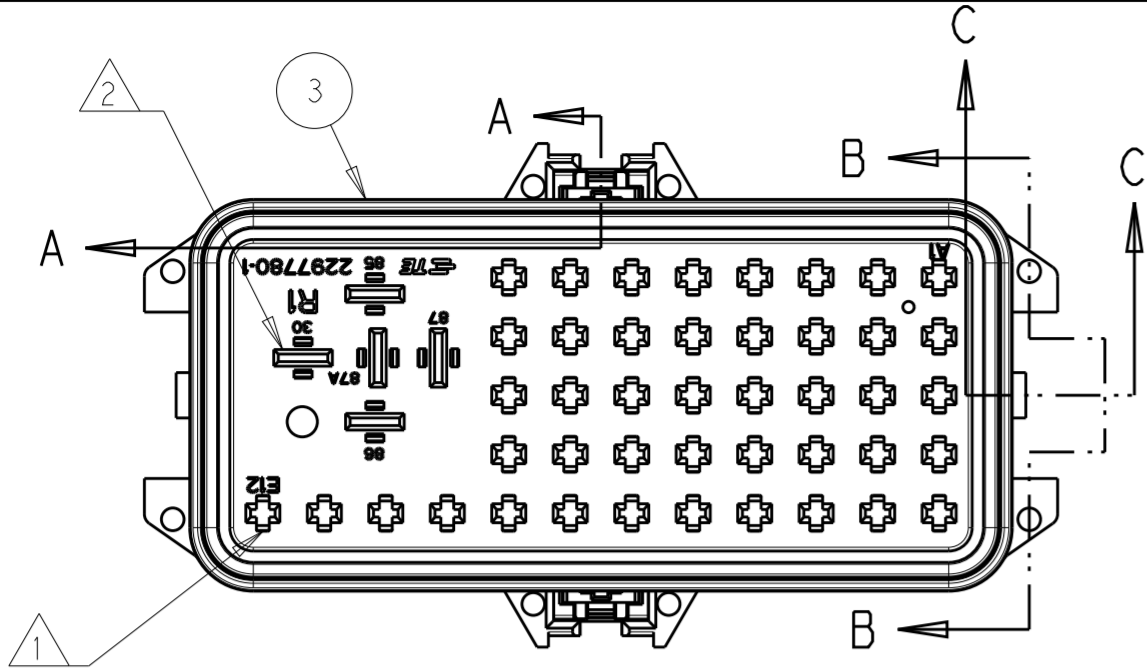
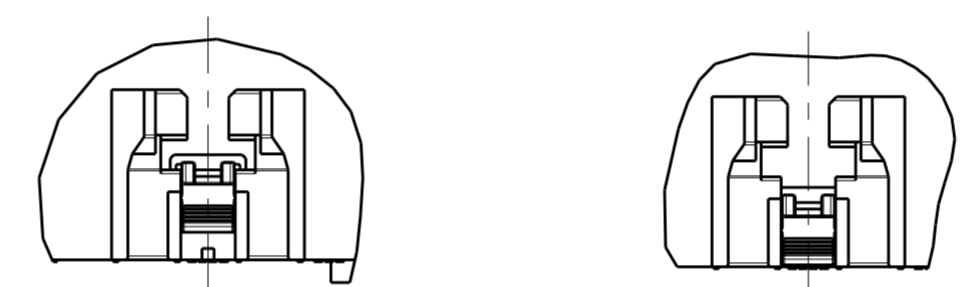
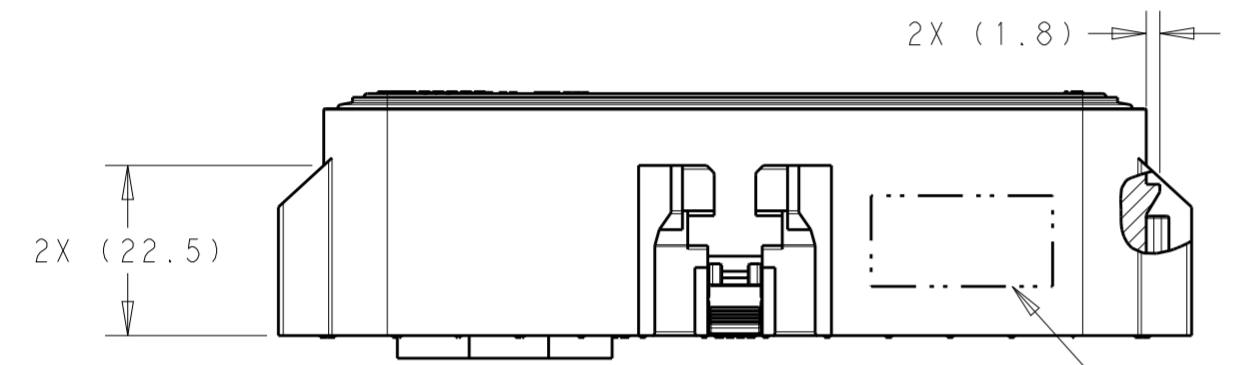


THIS DRAWING IS UNPUBLISHED. RELEASED FOR PUBLICATION 20  
 © COPYRIGHT 20 BY - ALL RIGHTS RESERVED.

REVISIONS					
P	LTR	DESCRIPTION	DATE	DWN	APVD
A		RELEASED PER ECO-16-006699	04MAY2016	DLD	DCS
A1		ECO-17-015014	12OCT2017	DS	DS
B		REV PER ECO-18-005085	05APR2018	JM	DS

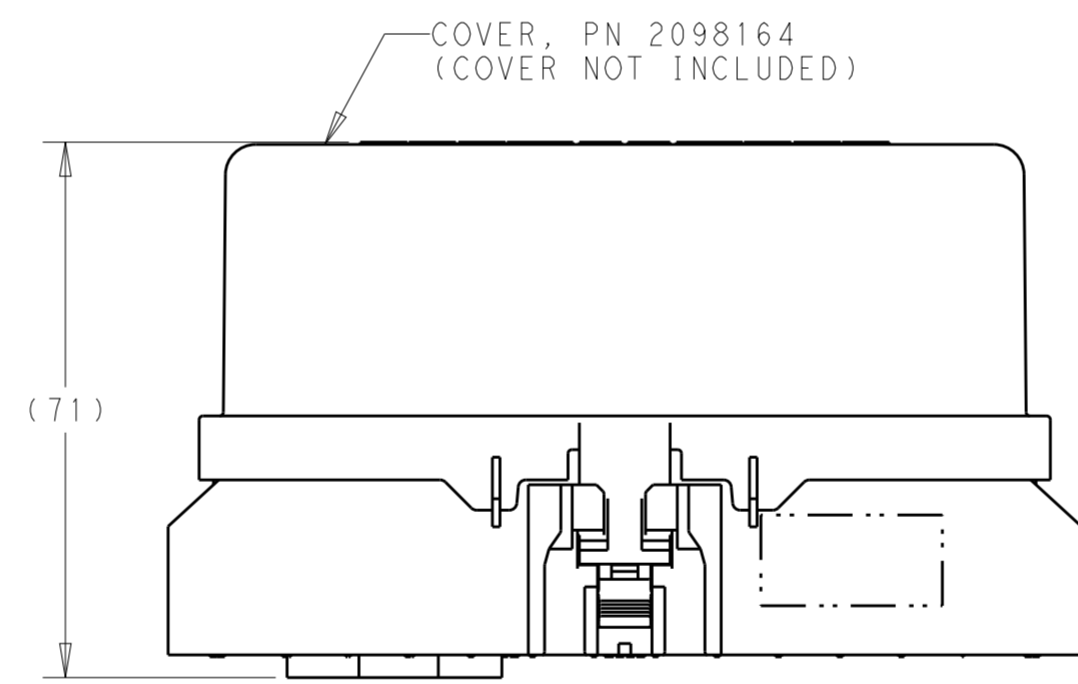
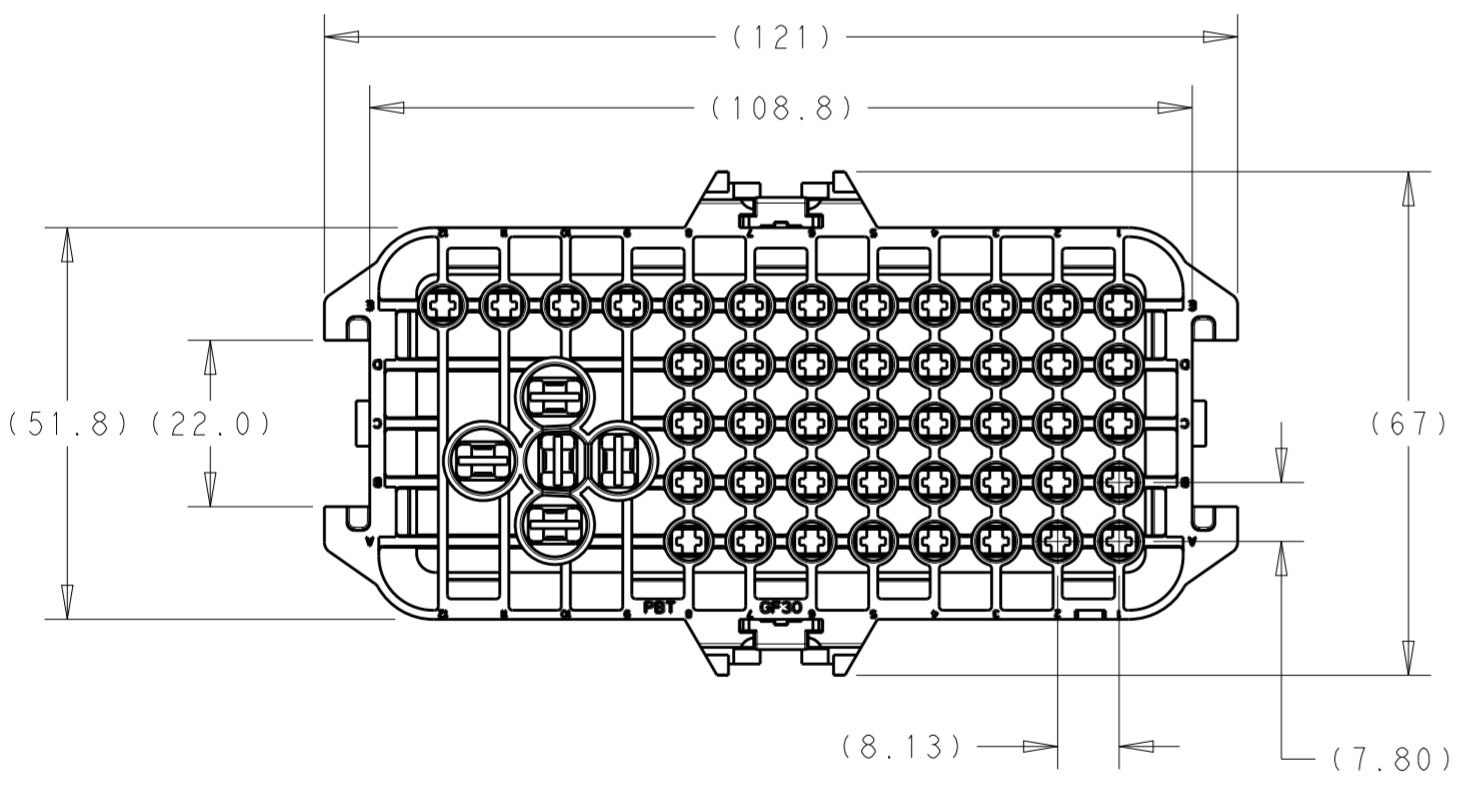


- 1 SEE TE CONNECTIVITY CUSTOMER DRAWING 1355036 FOR TERMINAL SELECTION. MAX WIRE SIZE 14 AWG FOR SEALED WIRE APPLICATION.
- 2 SEE TE CONNECTIVITY CUSTOMER DRAWING 1241438 FOR TERMINAL SELECTION. MAX WIRE SIZE 10 AWG FOR SEALED WIRE APPLICATIONS.
- 3 PART NUMBER AND DATE CODE, DDDYY, IN THIS AREA.

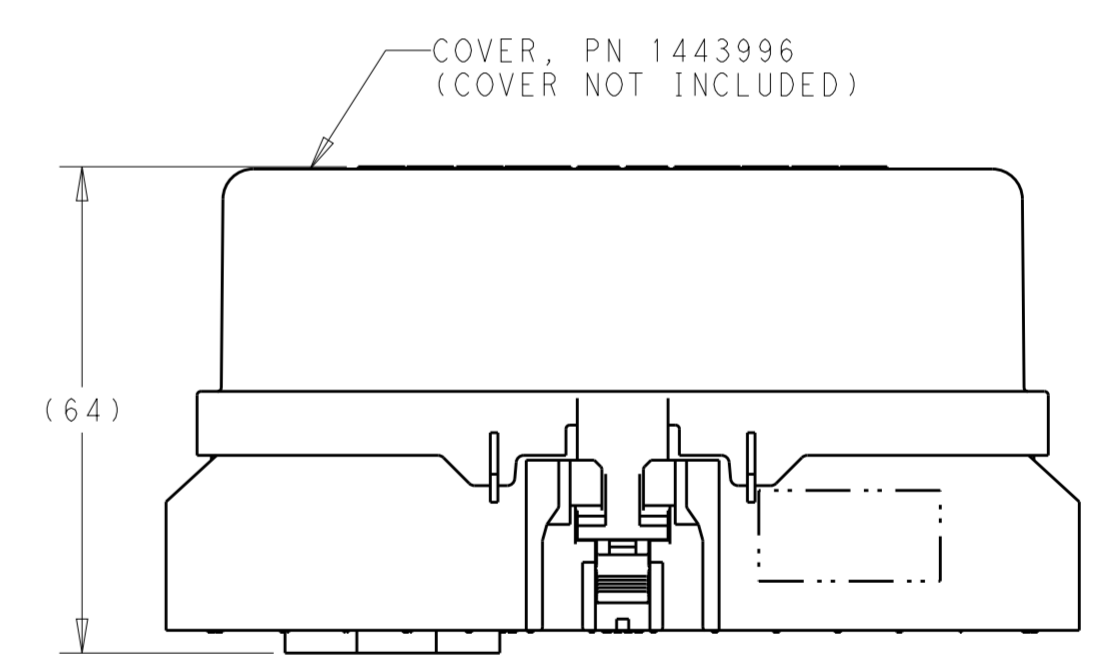


CPA CLOSED POSITION CPA OPEN POSITION (AS SHIPPED)

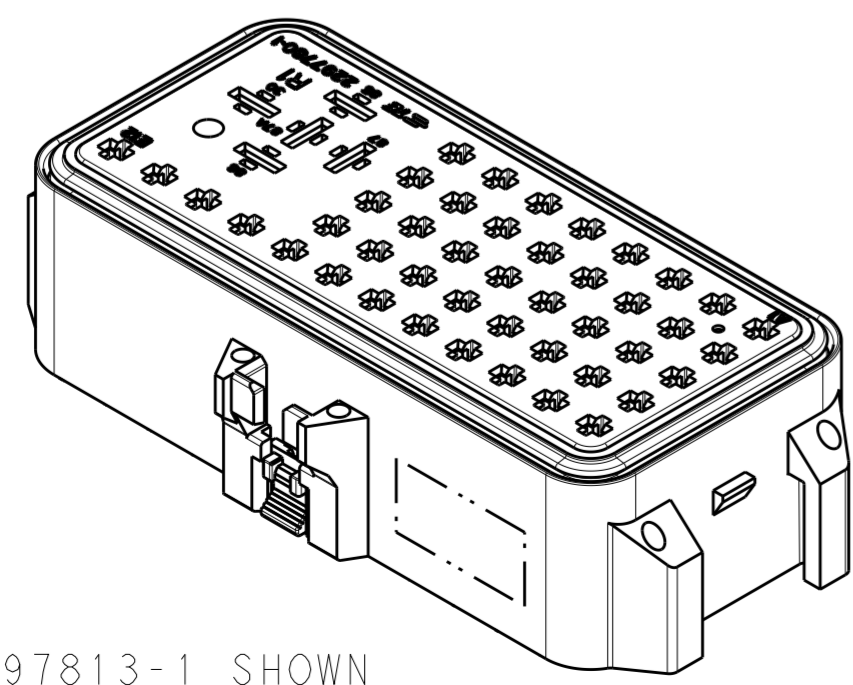
SECTION C-C



VIEW FOR REFERENCE ONLY



VIEW FOR REFERENCE ONLY



2297813-1 SHOWN

1	1	1	VMQ	FACIAL SEAL	5
2	2	2	PBT-GF15, RED	CPA	4
-	-	1	PBT-GF30, BLACK	BASE, 49 POSN, ISO FUSE AND RELAY	3
-	1	-	PBT-GF30, BLACK	BASE, 38 POSN, ISO FUSE AND RELAY	2
1	-	-	PBT-GF30, BLACK	BASE, 27 POSN, ISO FUSE AND RELAY	1
-3	-2	-1		DESCRIPTION	ITEM NO

THIS DRAWING IS A CONTROLLED DOCUMENT.

DWN J. MCNEAL 12NOV2015  
 CHK D. STRAUSSER 7JAN2016  
 APVD D. STRAUSSER 29APR2016

TE Connectivity

NAME: BASE ASSEMBLY ISO FUSE AND RELAY BOX

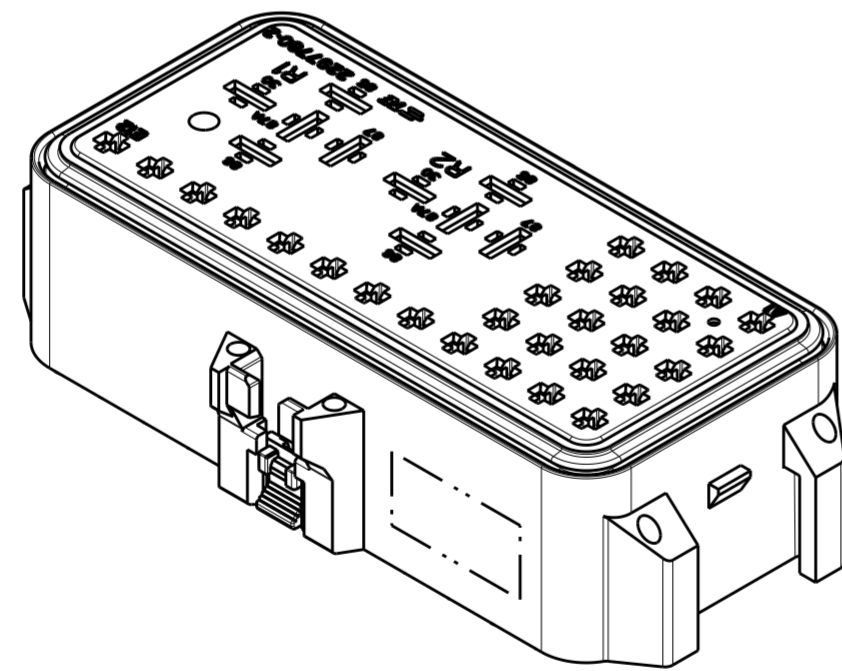
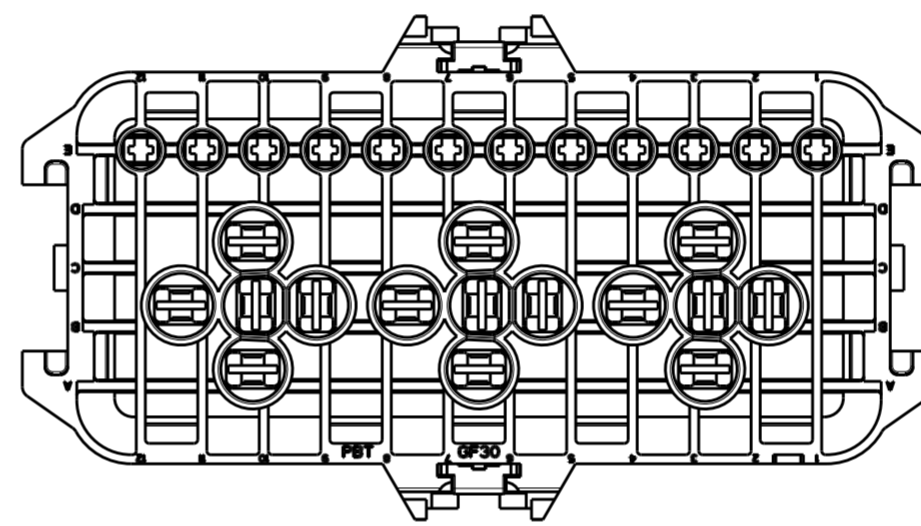
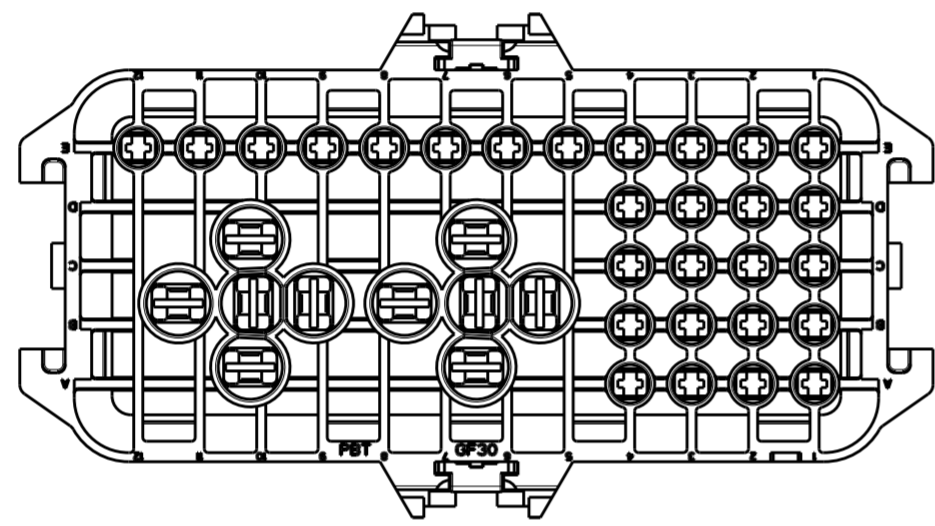
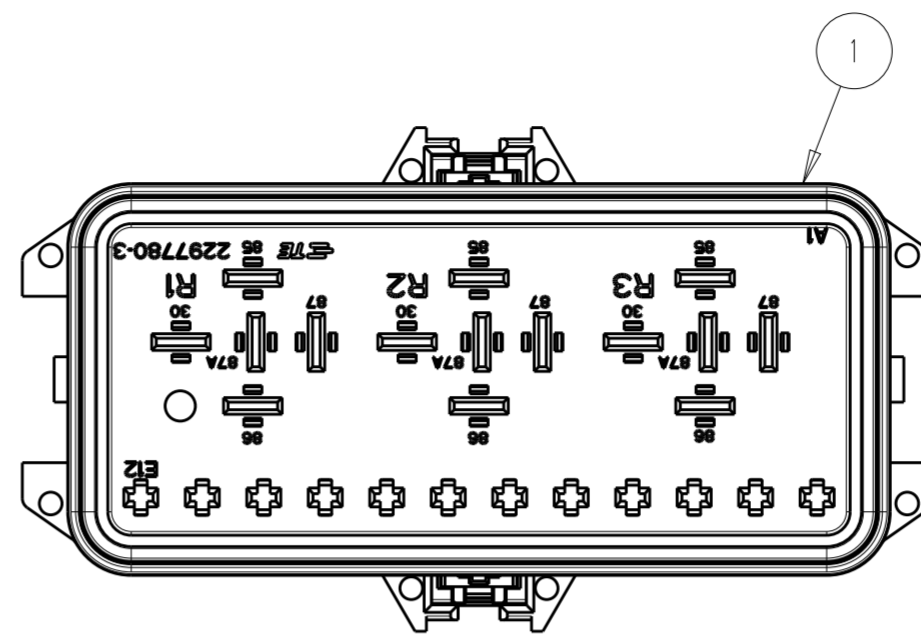
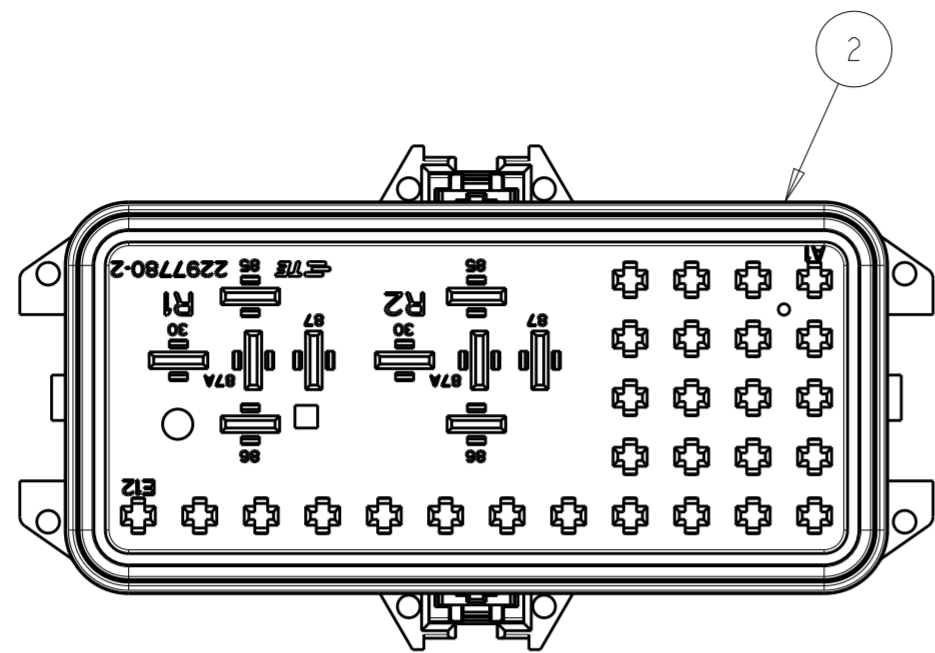
SIZE: A2 CAGE CODE: 00779 DRAWING NO: C-2297813

WEIGHT: 131.3g

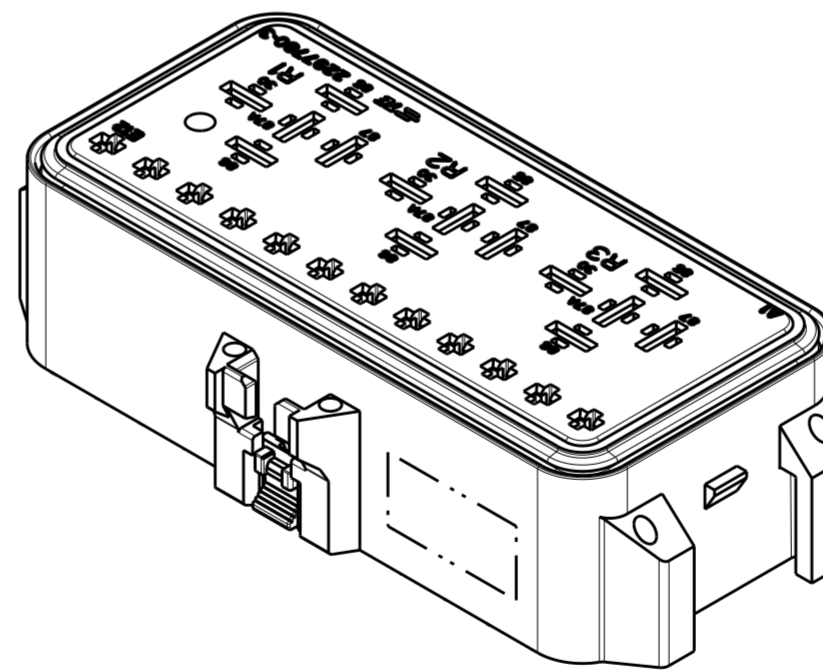
CUSTOMER DRAWING SCALE: 1:1 SHEET: 1 OF 3 REV: B

THIS DRAWING IS UNPUBLISHED. RELEASED FOR PUBLICATION 20  
 © COPYRIGHT 20 BY - ALL RIGHTS RESERVED.


REVISIONS				
P	LTR	DESCRIPTION	DATE	APVD
-	-	SEE SHEET 1	-	-



2297813-2 SHOWN

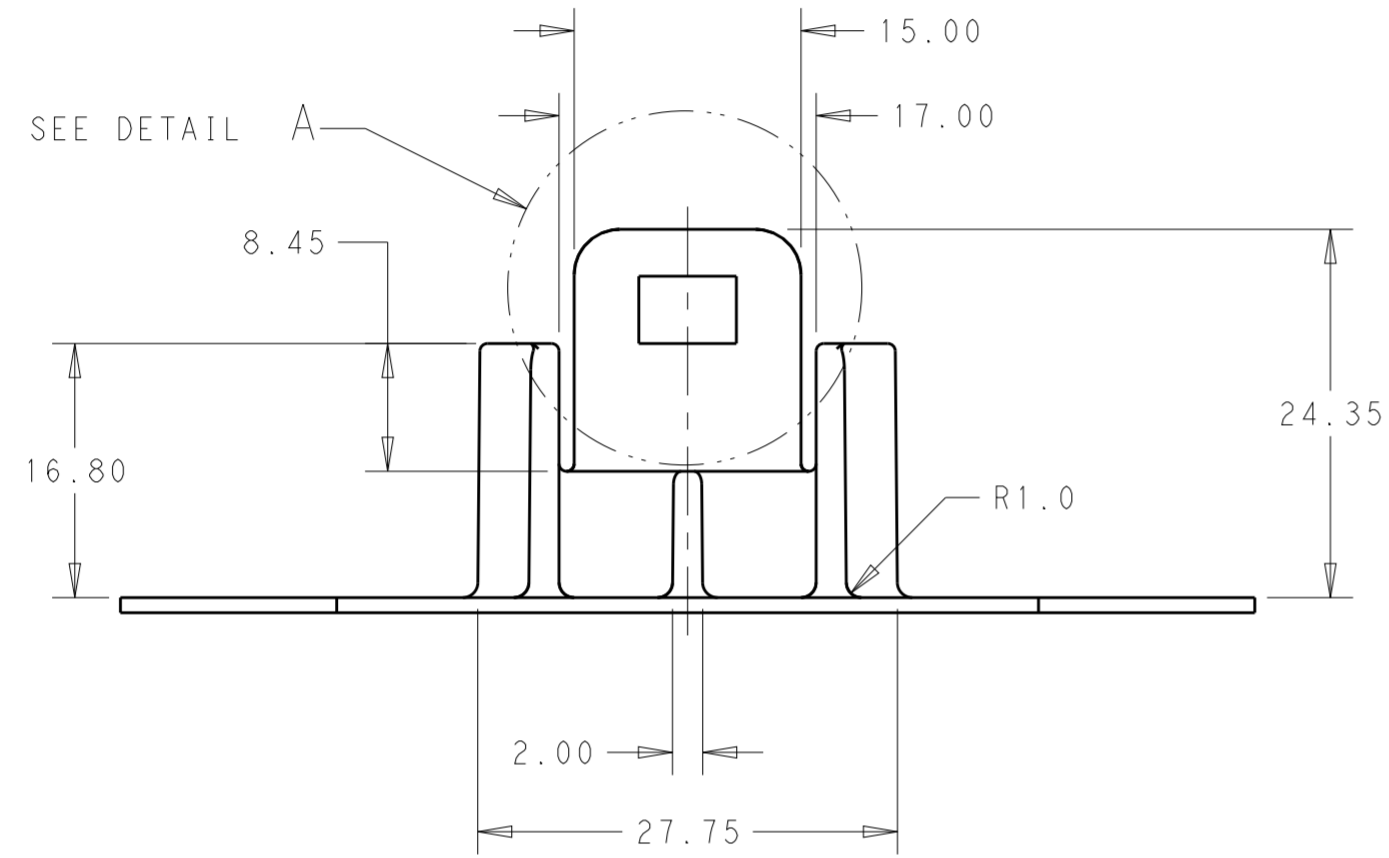


2297813-3 SHOWN

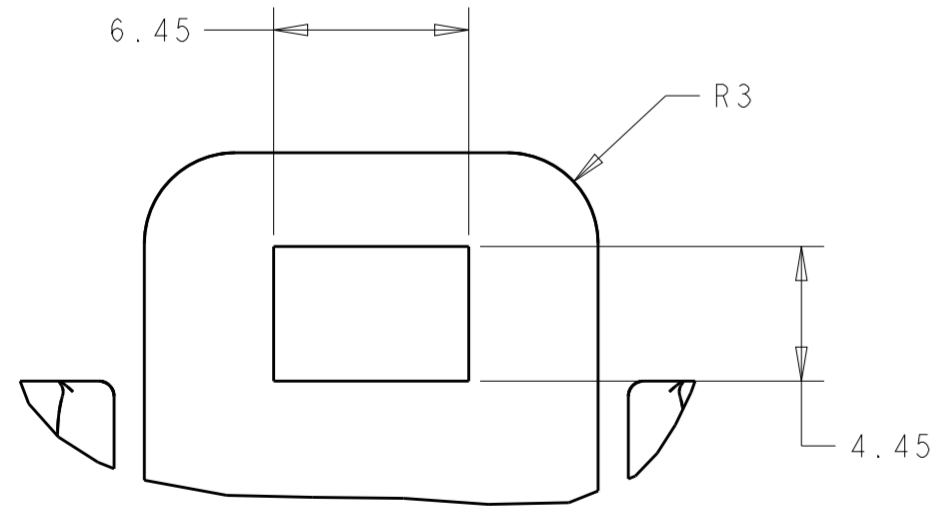
THIS DRAWING IS A CONTROLLED DOCUMENT.		DWN J. MCNEAL 12NOV2015	 TE Connectivity															
DIMENSIONS: mm		CHK D. STRAUSSER 7JAN2016																
TOLERANCES UNLESS OTHERWISE SPECIFIED:		APVD D. STRAUSSER 29APR2016	NAME BASE ASSEMBLY ISO FUSE AND RELAY BOX															
<table border="1"> <tr><td>0 PLC</td><td>±</td></tr> <tr><td>1 PLC</td><td>±</td></tr> <tr><td>2 PLC</td><td>±</td></tr> <tr><td>3 PLC</td><td>±</td></tr> <tr><td>4 PLC</td><td>±</td></tr> <tr><td>ANGLES</td><td>±</td></tr> <tr><td>FINISH</td><td>±</td></tr> </table>		0 PLC	±	1 PLC	±	2 PLC	±	3 PLC	±	4 PLC	±	ANGLES	±	FINISH	±	PRODUCT SPEC -	SIZE -	CAGE CODE A200779
0 PLC	±																	
1 PLC	±																	
2 PLC	±																	
3 PLC	±																	
4 PLC	±																	
ANGLES	±																	
FINISH	±																	
MATERIAL -		APPLICATION SPEC -	DRAWING NO C-2297813	RESTRICTED TO -														
-		WEIGHT 131.3g	SCALE 1:1	SHEET 2 OF 3														
-		CUSTOMER DRAWING	REV B															

THIS DRAWING IS UNPUBLISHED. RELEASED FOR PUBLICATION 20  
 © COPYRIGHT 20 BY - ALL RIGHTS RESERVED.

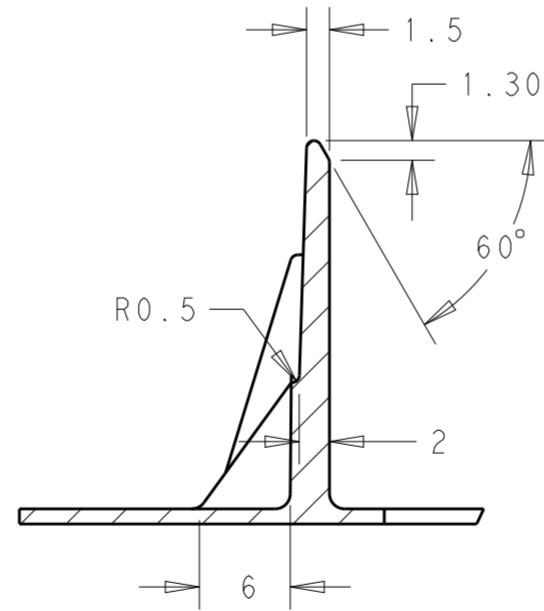
REVISIONS				
P	LTR	DESCRIPTION	DATE	APVD
-		SEE SHEET 1	-	-



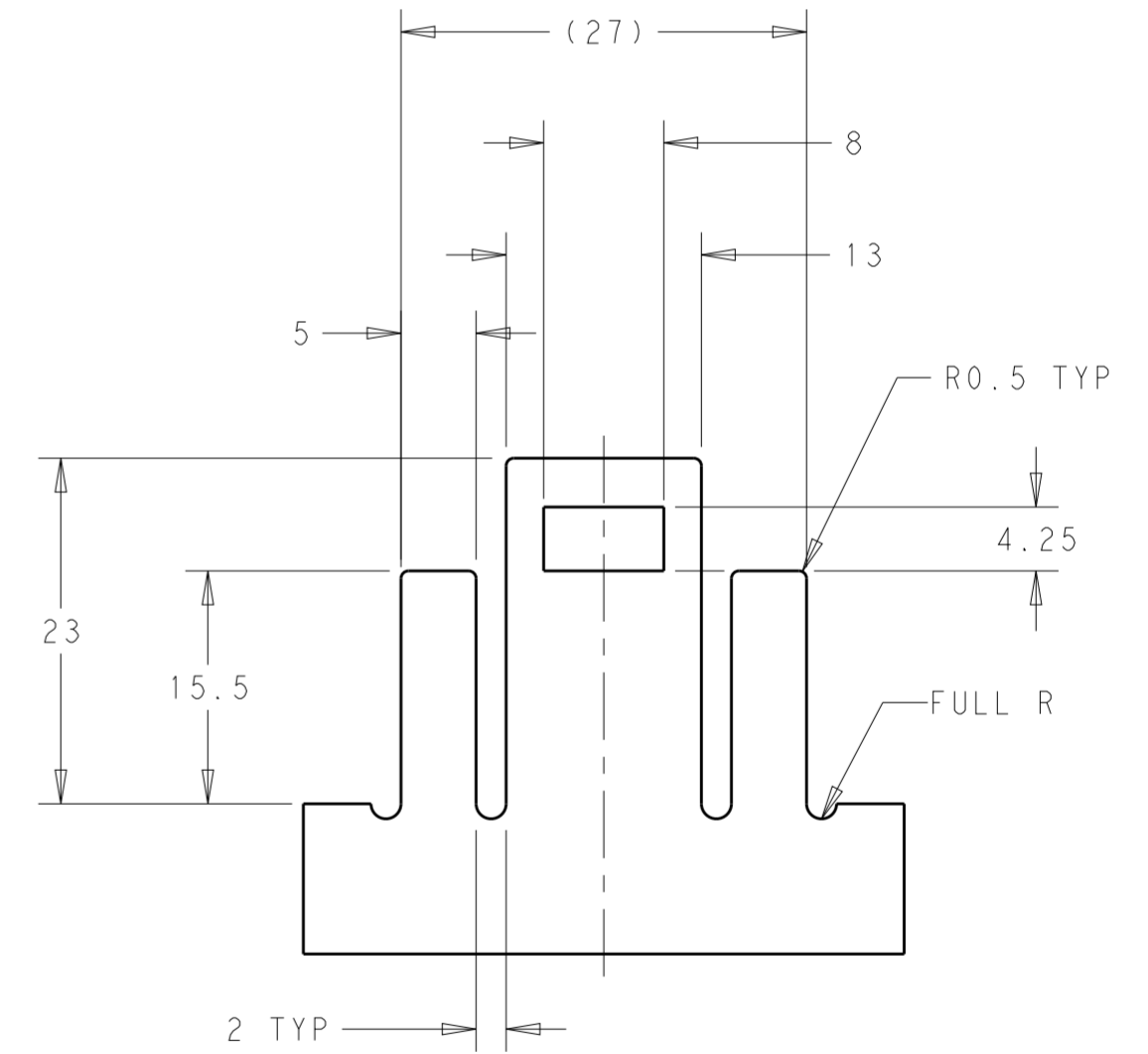
SCALE 2:1



DETAIL A  
SCALE 4:1




SECTION A-A  
SCALE 2:1



SUGGESTED SHEET METAL LATCH

PLASTIC MOUNTING LATCH  
0.5° DRAFT ADDED AS NEEDED

THIS DRAWING IS A CONTROLLED DOCUMENT.		DWN J. MCNEAL 12NOV2015	 TE Connectivity	
DIMENSIONS: mm		CHK D. STRAUSSER 7JAN2016		
TOLERANCES UNLESS OTHERWISE SPECIFIED:		APVD D. STRAUSSER 29APR2016	NAME BASE ASSEMBLY ISO FUSE AND RELAY BOX	
0 PLC ± 1 PLC ± 2 PLC ± 3 PLC ± 4 PLC ± ANGLES ± FINISH -		PRODUCT SPEC -	RESTRICTED TO -	
MATERIAL -		APPLICATION SPEC -	SIZE A200779	DRAWING NO. C-2297813
		WEIGHT 131.3g	SCALE 1:1 SHEET 3 OF 3 REV B	
		CUSTOMER DRAWING		

## X-ON Electronics

Largest Supplier of Electrical and Electronic Components

*Click to view similar products for [Automotive Connectors](#) category:*

*Click to view products by [TE Connectivity](#) manufacturer:*

Other Similar products are found below :

[003-018-000](#) [60403001](#) [60993906-B](#) [M902-2131](#) [M902-2161](#) [72.330.1035.1](#) [73.353.4028.0](#) [F119300-B](#) [F166900](#) [F258300-B](#) [F358300-B](#)  
[F407400](#) [F444110](#) [F487000](#) [F509500B-B](#) [827153-1](#) [8N1515-32-24P](#) [9-1326729-8](#) [925474-1](#) [928905-1](#) [964562-4](#) [968782-1](#) [GT17SA-8DS-](#)  
[HU](#) [98891-1012](#) [98947-1016](#) [12004147](#) [12004475-L](#) [12010290](#) [12010309-B](#) [12015454](#) [12020219-B](#) [12020308](#) [12041318-B](#) [12052225-L](#)  
[12052466](#) [12059125](#) [12064869](#) [12004327-B](#) [12010503-B](#) [12015308](#) [12015384](#) [12015909](#) [1-21030-1](#) [12041254](#) [12041318](#) [12047946-B](#)  
[12047957](#) [12047957-L](#) [12059473](#) [12066261](#)