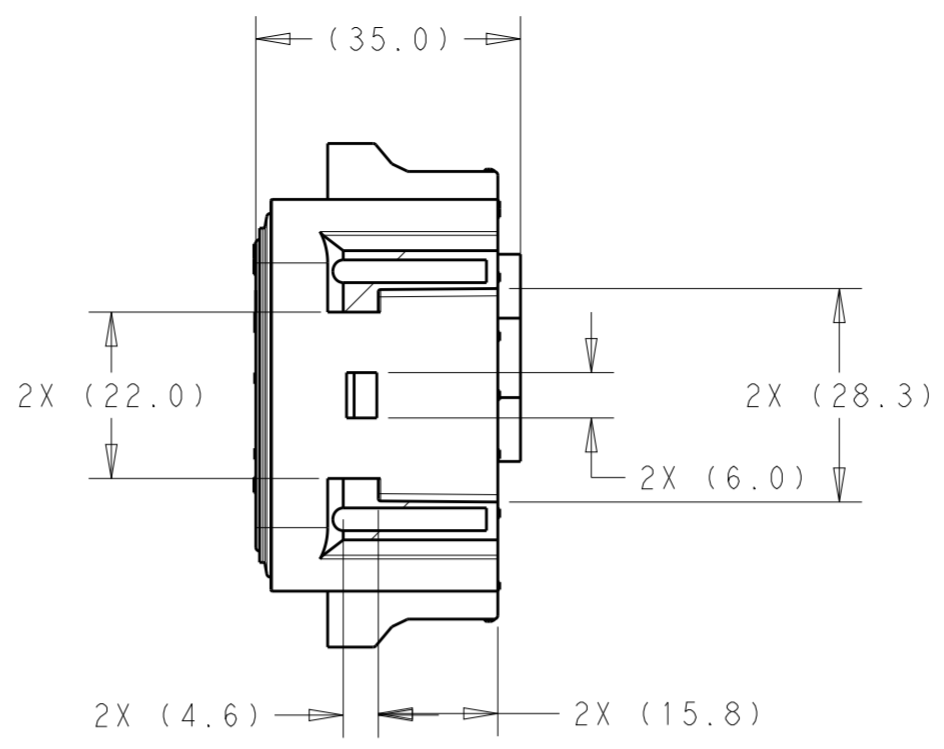
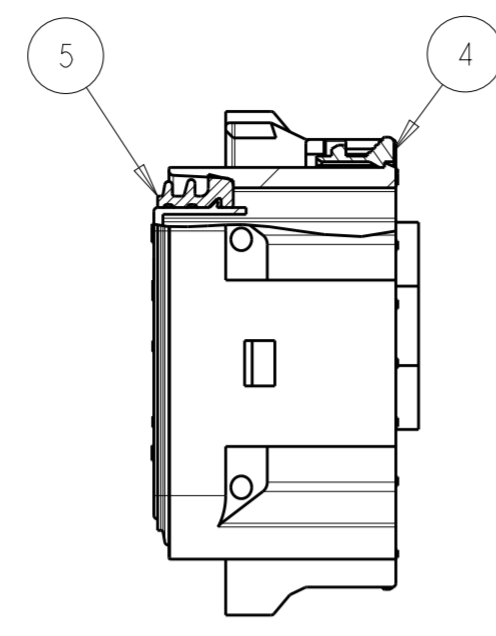
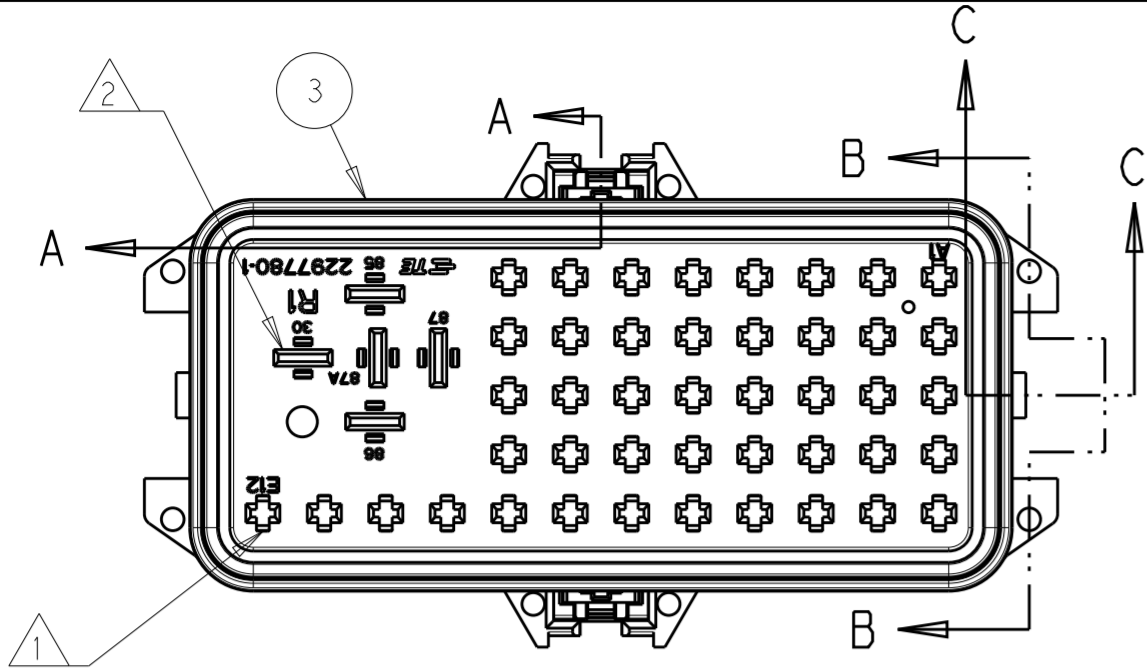
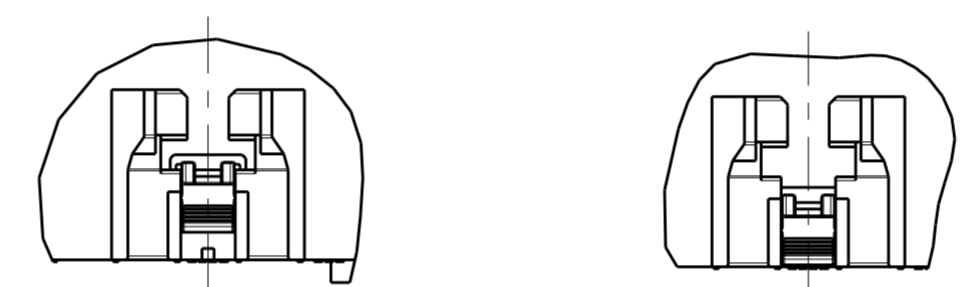
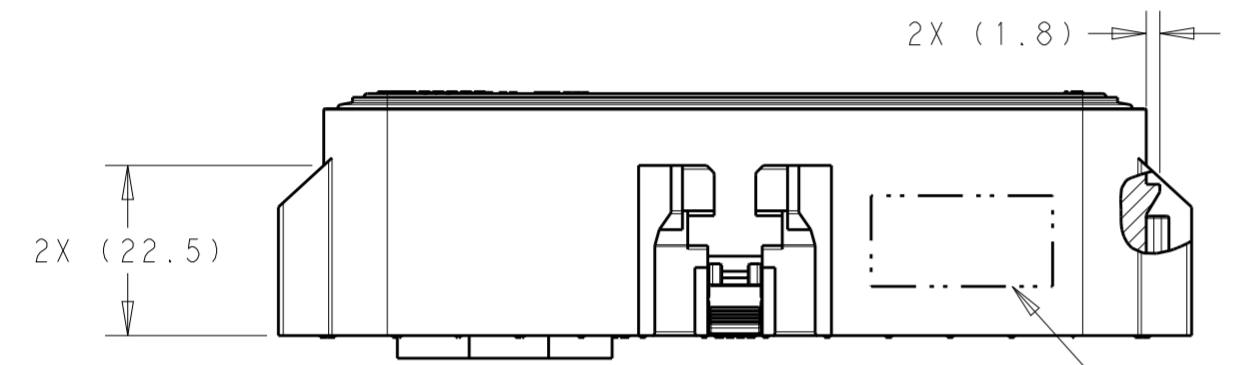


THIS DRAWING IS UNPUBLISHED. RELEASED FOR PUBLICATION 20
 © COPYRIGHT 20 BY - ALL RIGHTS RESERVED.

REVISIONS					
P	LTR	DESCRIPTION	DATE	DWN	APVD
A		RELEASED PER ECO-16-006699	04MAY2016	DLD	DCS
A1		ECO-17-015014	12OCT2017	DS	DS
B		REV PER ECO-18-005085	05APR2018	JM	DS

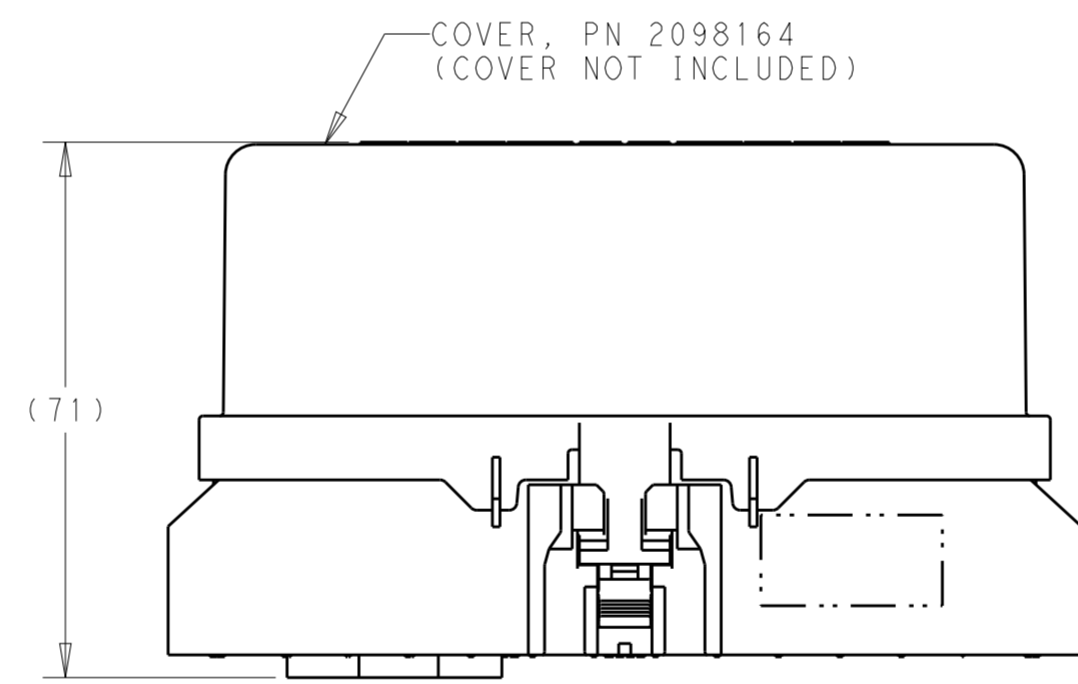
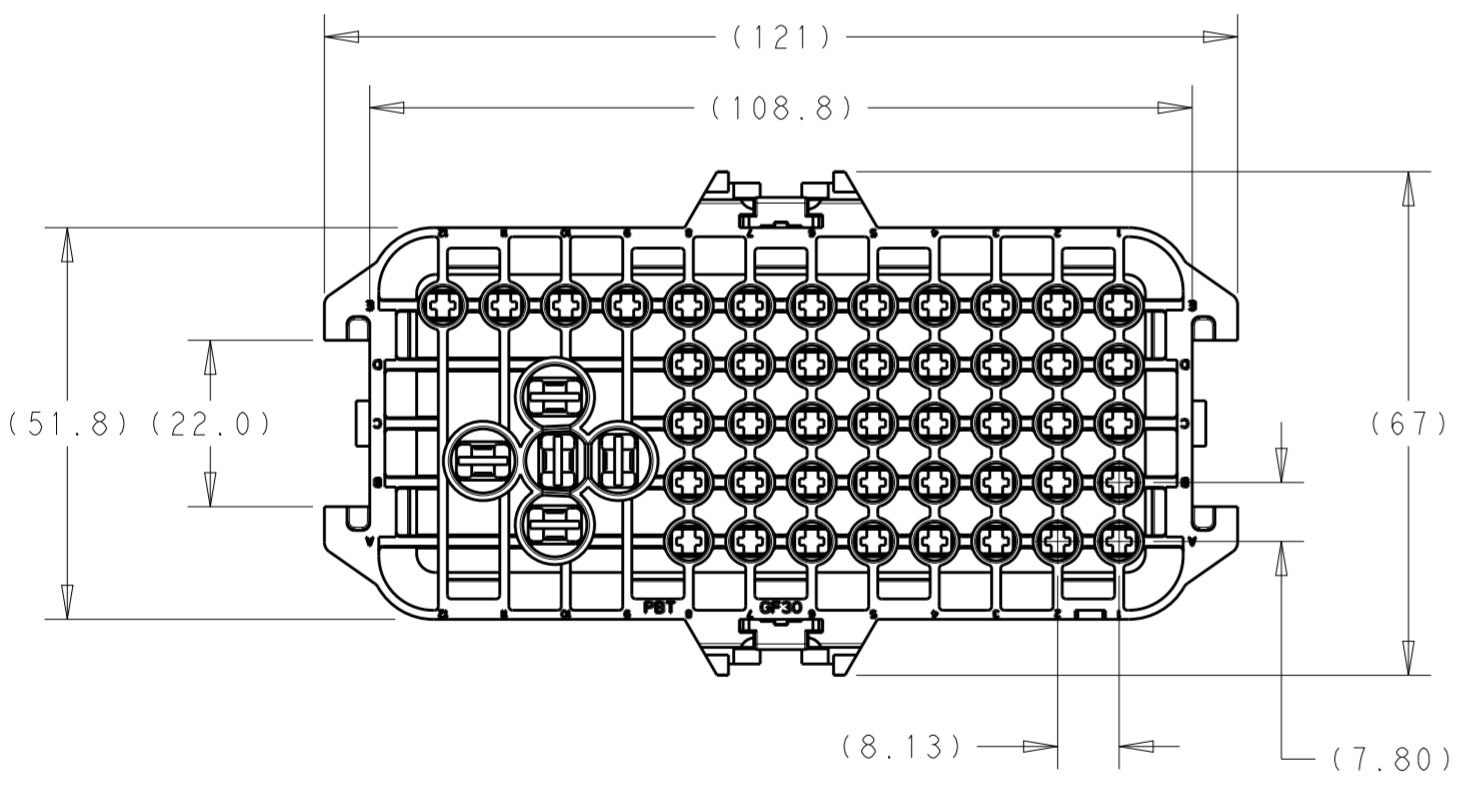


- 1 SEE TE CONNECTIVITY CUSTOMER DRAWING 1355036 FOR TERMINAL SELECTION. MAX WIRE SIZE 14 AWG FOR SEALED WIRE APPLICATION.
- 2 SEE TE CONNECTIVITY CUSTOMER DRAWING 1241438 FOR TERMINAL SELECTION. MAX WIRE SIZE 10 AWG FOR SEALED WIRE APPLICATIONS.
- 3 PART NUMBER AND DATE CODE, DDDYY, IN THIS AREA.

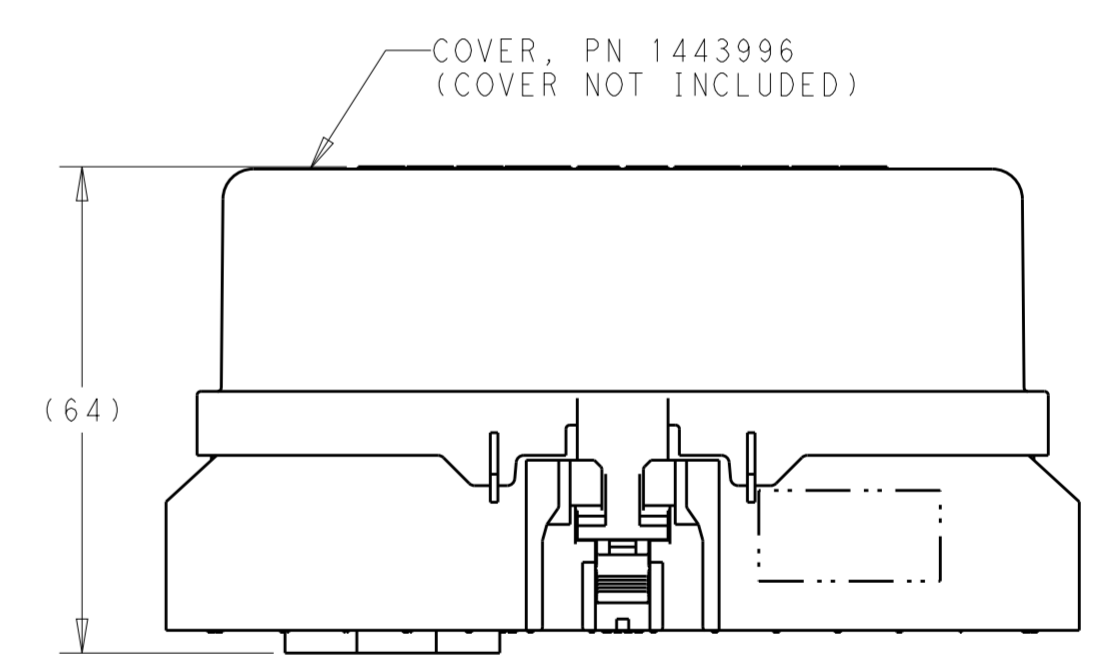


CPA CLOSED POSITION CPA OPEN POSITION (AS SHIPPED)

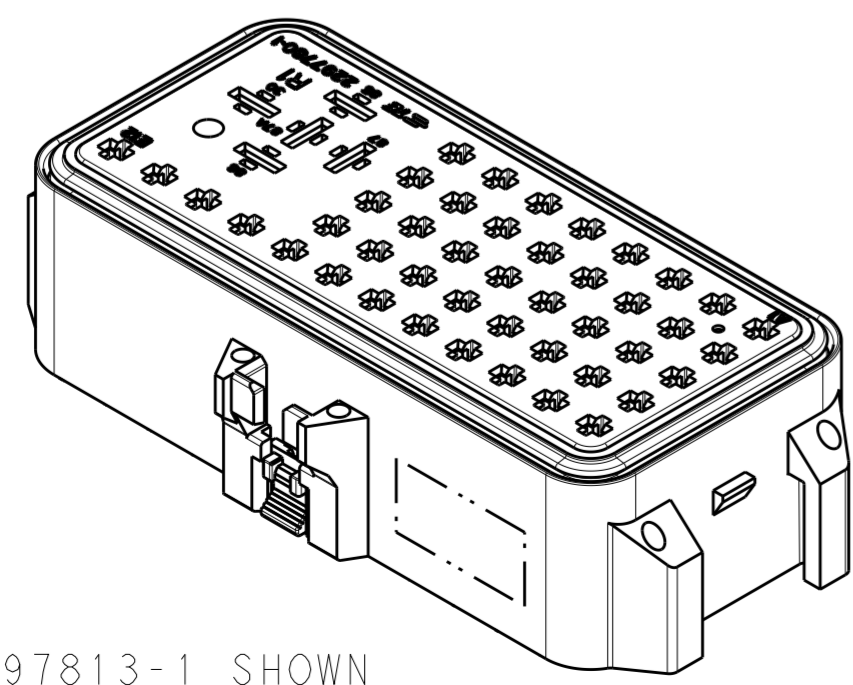
SECTION C-C



VIEW FOR REFERENCE ONLY



VIEW FOR REFERENCE ONLY



2297813-1 SHOWN

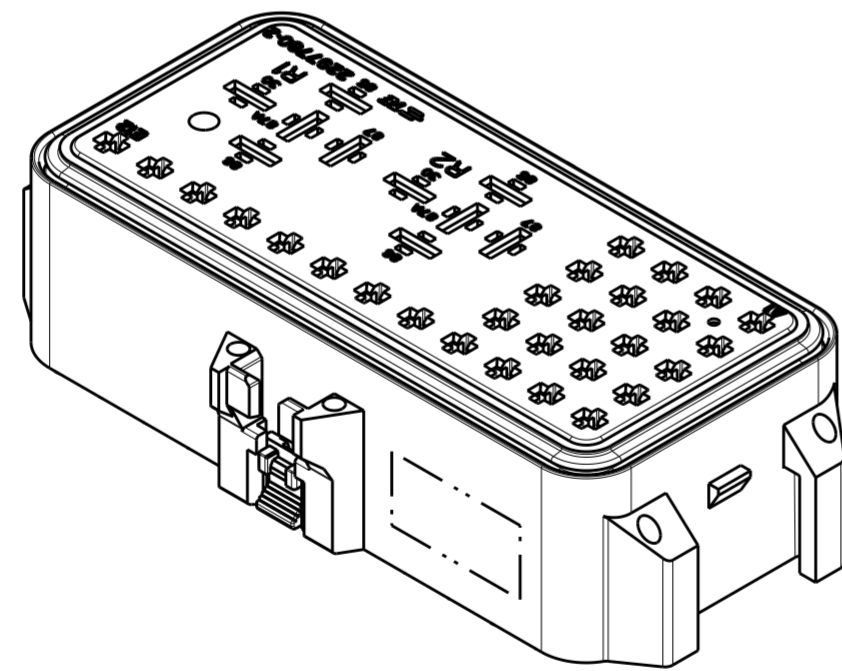
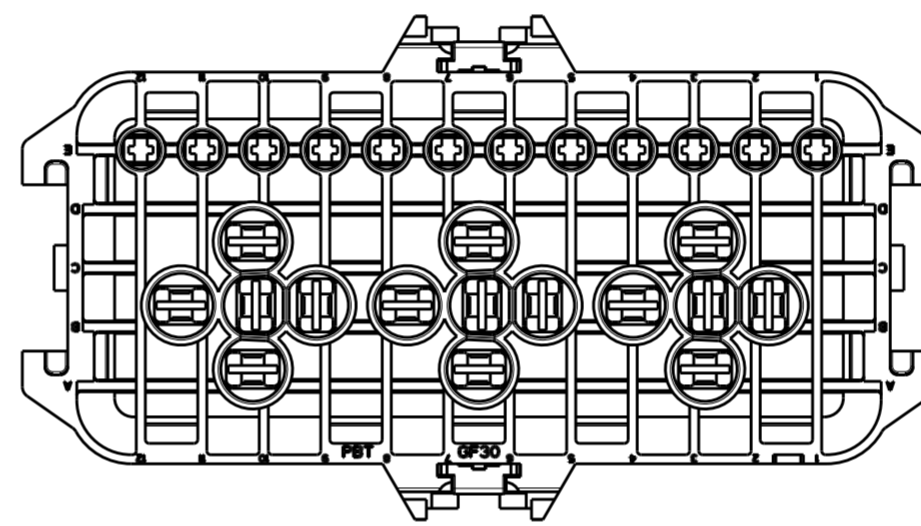
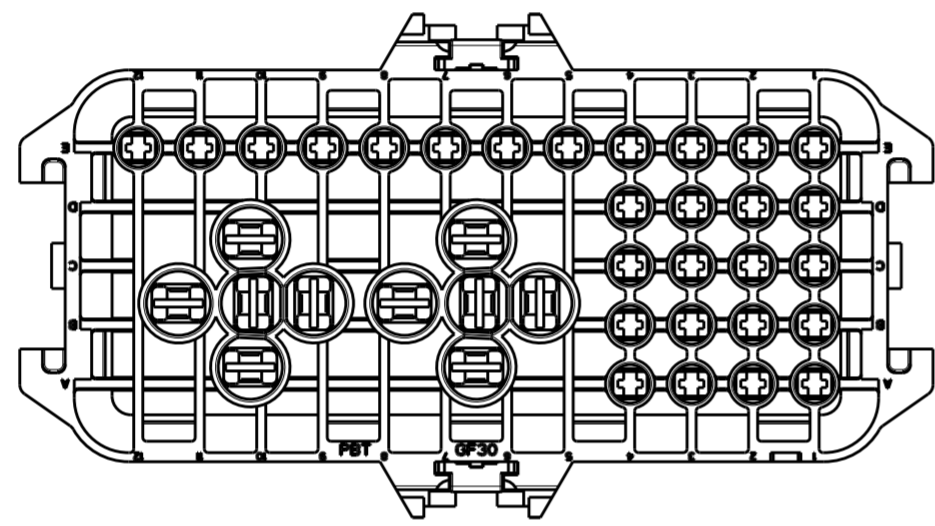
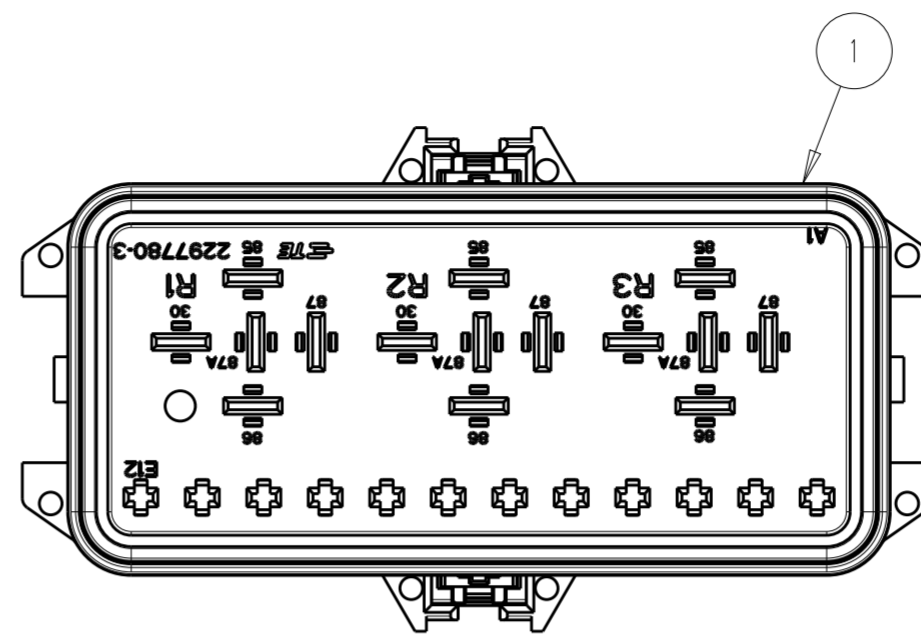
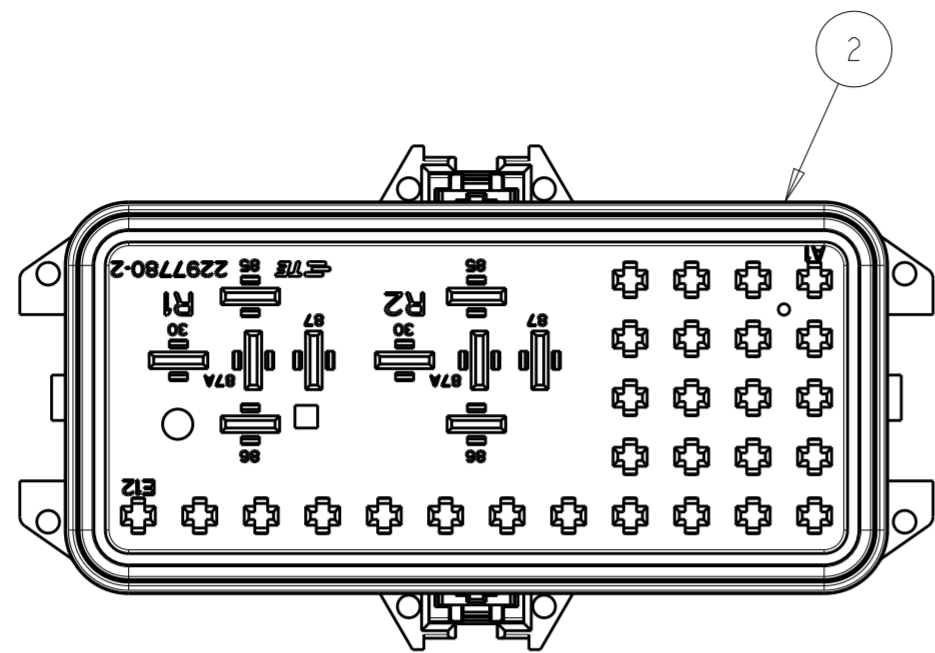
1	1	1	VMQ	FACIAL SEAL	5
2	2	2	PBT-GF15, RED	CPA	4
-	-	1	PBT-GF30, BLACK	BASE, 49 POSN, ISO FUSE AND RELAY	3
-	1	-	PBT-GF30, BLACK	BASE, 38 POSN, ISO FUSE AND RELAY	2
1	-	-	PBT-GF30, BLACK	BASE, 27 POSN, ISO FUSE AND RELAY	1
-3	-2	-1		DESCRIPTION	ITEM NO

THIS DRAWING IS A CONTROLLED DOCUMENT.

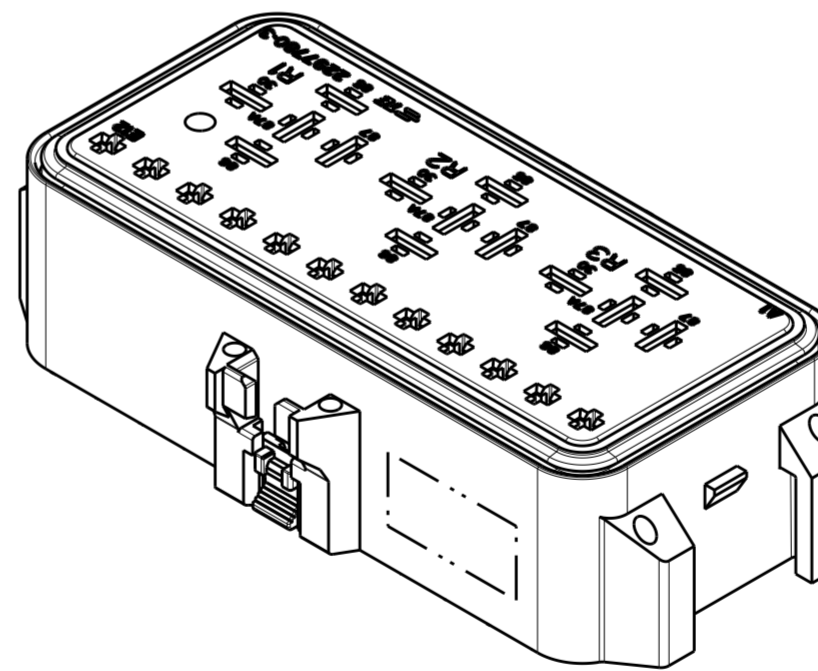
DWN	J. MCNEAL	12NOV2015	TE Connectivity
CHK	D. STRAUSSER	7JAN2016	
APVD	D. STRAUSSER	29APR2016	
PRODUCT SPEC			
APPLICATION SPEC			NAME
WEIGHT	131.3g		BASE ASSEMBLY ISO FUSE AND RELAY BOX
CUSTOMER DRAWING			SIZE
			A200779
			DRAWING NO
			C-2297813
			RESTRICTED TO
			-
			SCALE
			1:1
			SHEET
			1 OF 3
			REV
			B

THIS DRAWING IS UNPUBLISHED. RELEASED FOR PUBLICATION 20
 © COPYRIGHT 20 BY - ALL RIGHTS RESERVED.


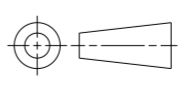
REVISIONS				
P	LTR	DESCRIPTION	DATE	APVD
-		SEE SHEET 1	-	-



2297813-2 SHOWN

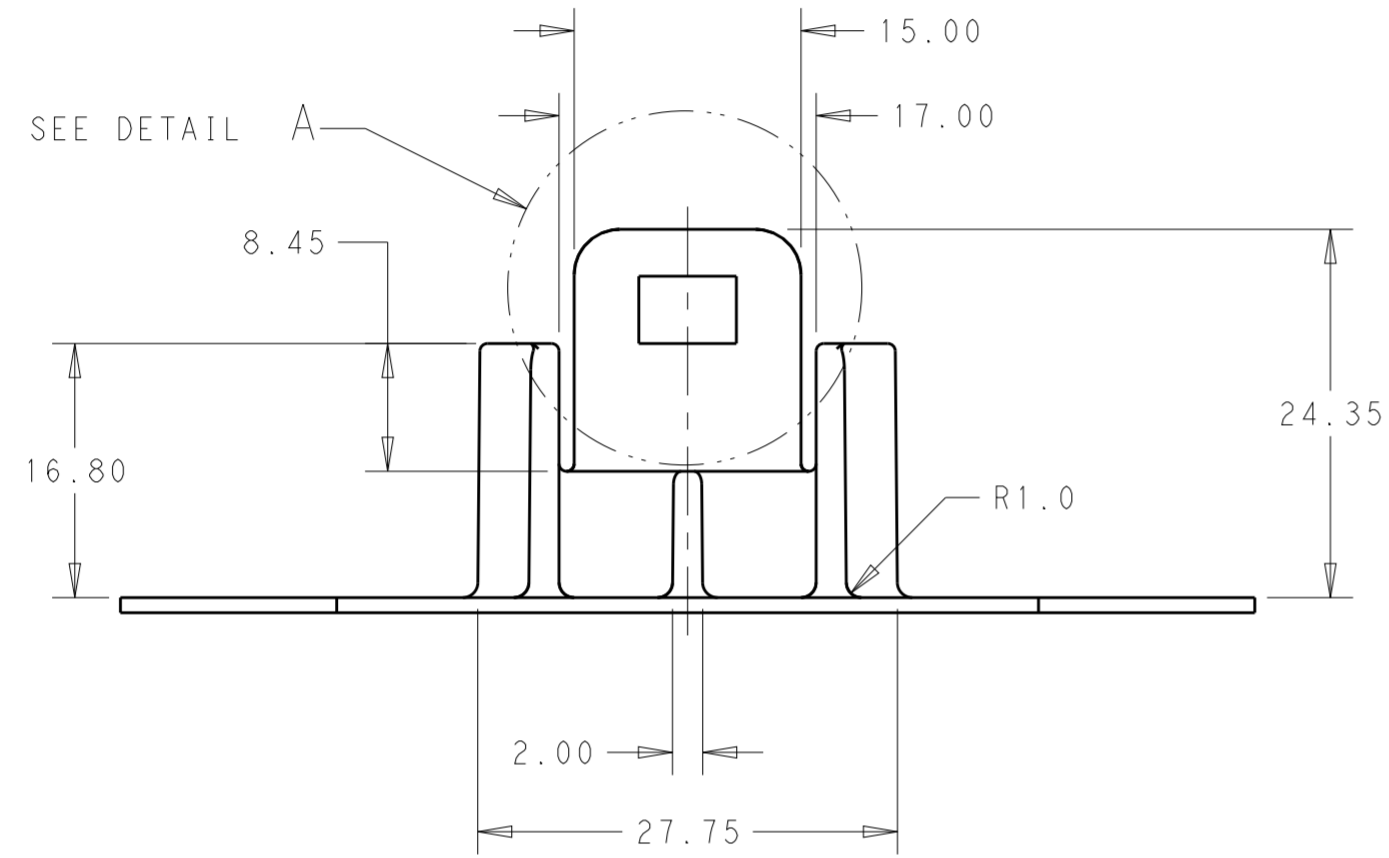


2297813-3 SHOWN

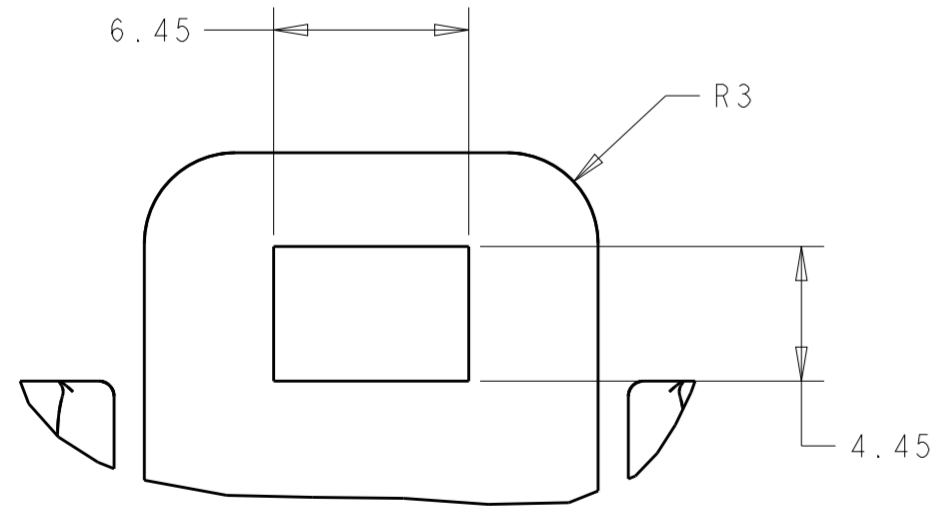
THIS DRAWING IS A CONTROLLED DOCUMENT.		DWN J. MCNEAL 12NOV2015	 TE Connectivity	
DIMENSIONS: mm		CHK D. STRAUSSER 7JAN2016		
TOLERANCES UNLESS OTHERWISE SPECIFIED:		APVD D. STRAUSSER 29APR2016	NAME BASE ASSEMBLY ISO FUSE AND RELAY BOX	
		PRODUCT SPEC	RESTRICTED TO	
MATERIAL		APPLICATION SPEC	SIZE	CAGE CODE
0 PLC ± 1 PLC ± 2 PLC ± 3 PLC ± 4 PLC ± ANGLES ± FINISH		WEIGHT 131.3g	A200779	DRAWING NO C-2297813
		CUSTOMER DRAWING	SCALE 1:1	SHEET 2 OF 3
				REV B

THIS DRAWING IS UNPUBLISHED. RELEASED FOR PUBLICATION 20
 © COPYRIGHT 20 BY - ALL RIGHTS RESERVED.

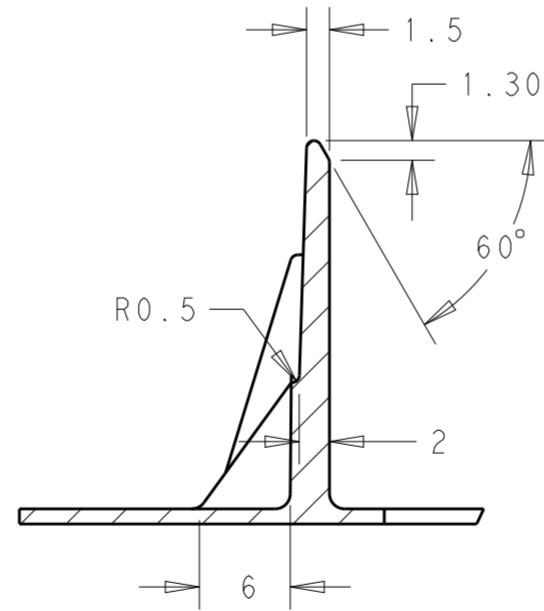
REVISIONS				
P	LTR	DESCRIPTION	DATE	APVD
-		SEE SHEET 1	-	-



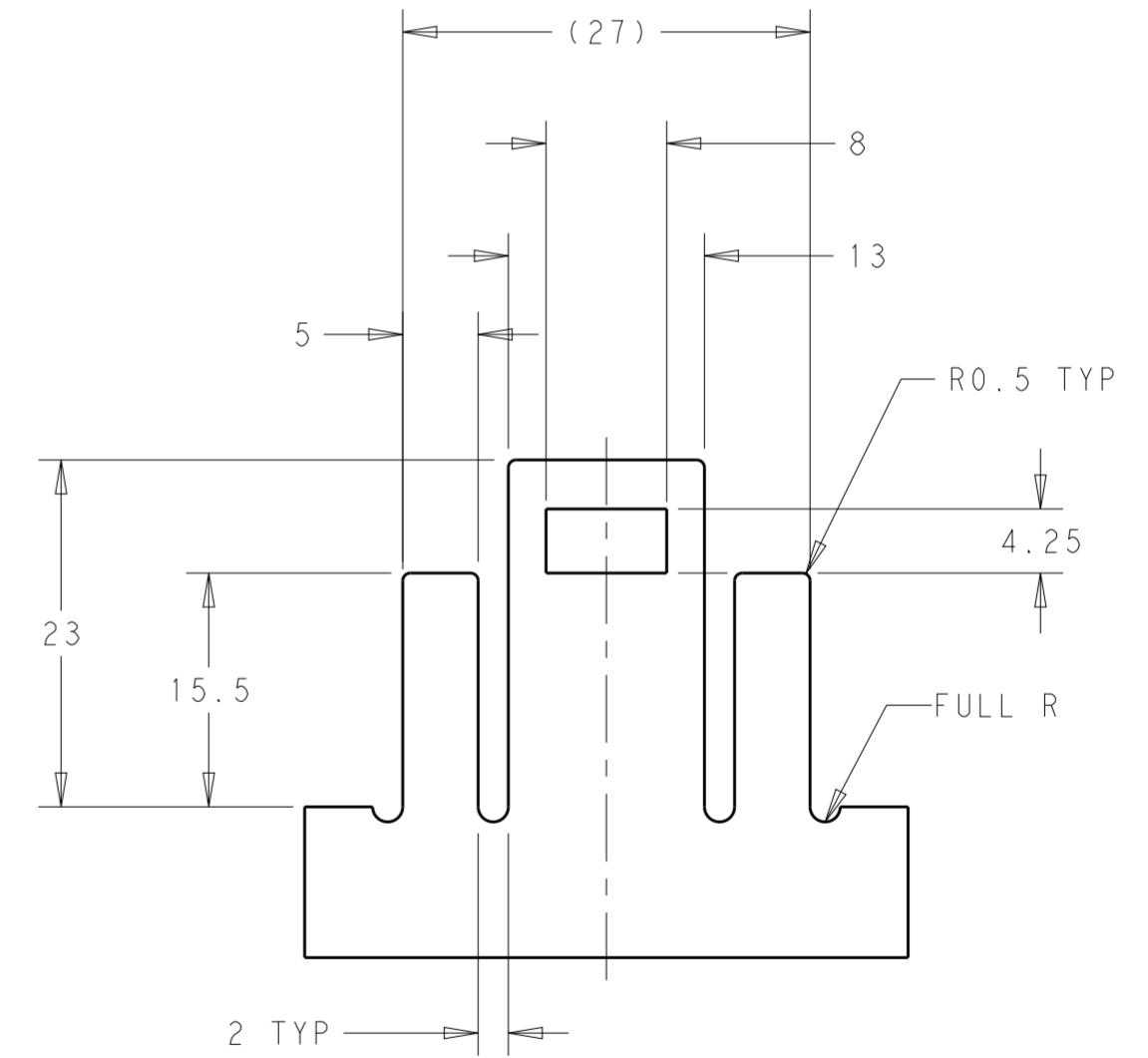
SCALE 2:1



DETAIL A
SCALE 4:1



SECTION A-A
SCALE 2:1



SUGGESTED SHEET METAL LATCH

PLASTIC MOUNTING LATCH
0.5° DRAFT ADDED AS NEEDED

THIS DRAWING IS A CONTROLLED DOCUMENT.		DWN J. MCNEAL 12NOV2015	TE Connectivity	
DIMENSIONS: mm		CHK D. STRAUSSER 7JAN2016		
TOLERANCES UNLESS OTHERWISE SPECIFIED:		APVD D. STRAUSSER 29APR2016	NAME BASE ASSEMBLY ISO FUSE AND RELAY BOX	
0 PLC ± 1 PLC ± 2 PLC ± 3 PLC ± 4 PLC ± ANGLES ± FINISH -		PRODUCT SPEC -	RESTRICTED TO -	
MATERIAL -		APPLICATION SPEC -	SIZE A200779	DRAWING NO. C-2297813
		WEIGHT 131.3g	SCALE 1:1 SHEET 3 OF 3 REV B	
		CUSTOMER DRAWING		

X-ON Electronics

Largest Supplier of Electrical and Electronic Components

Click to view similar products for [Automotive Connectors](#) category:

Click to view products by [TE Connectivity](#) manufacturer:

Other Similar products are found below :

[003-018-000](#) [60403001](#) [60993906-B](#) [M902-2131](#) [M902-2161](#) [M902-2344](#) [72.330.1035.1](#) [73.353.4028.0](#) [F119300-B](#) [F166900](#) [F258300-B](#)
[F358300-B](#) [F407400](#) [F444110](#) [F487000](#) [F509500B-B](#) [827153-1](#) [8N1515-32-24P](#) [9-1326729-8](#) [925474-1](#) [928905-1](#) [964562-4](#) [968782-1](#)
[GT17SA-8DS-HU](#) [98891-1012](#) [98947-1016](#) [12004147](#) [12004475-L](#) [12010290](#) [12010309-B](#) [12015454](#) [12020219-B](#) [12041318-B](#) [12052225-](#)
[L](#) [12052466](#) [12064869](#) [12004327-B](#) [12015308](#) [12015384](#) [12015909](#) [1-21030-1](#) [12041254](#) [12041318](#) [12047946-B](#) [12047957](#) [12047957-L](#)
[12059473](#) [12066261](#) [12110546](#) [12110546-B](#)