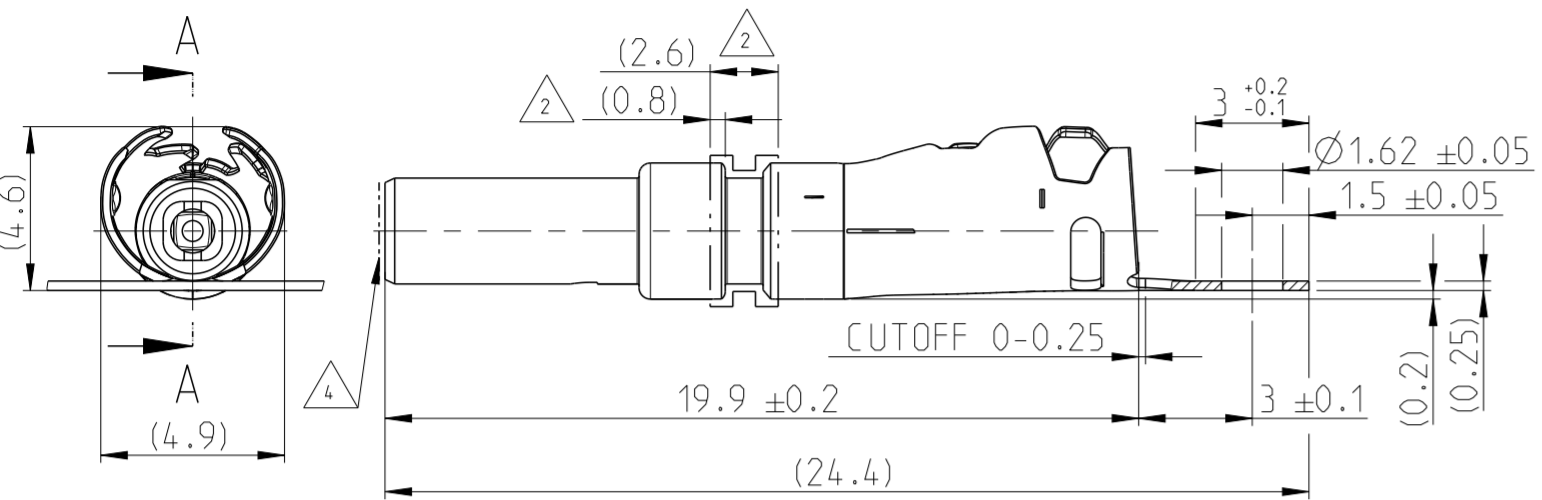


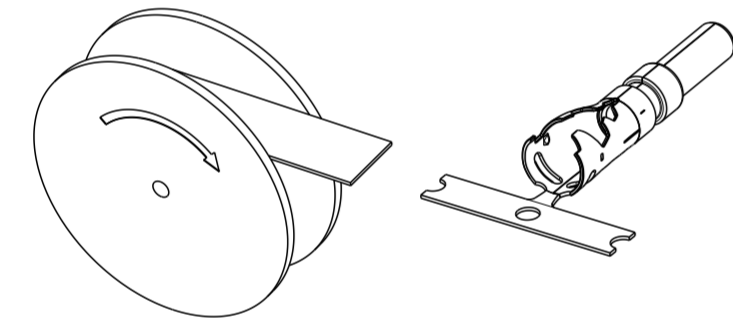
THIS DRAWING IS UNPUBLISHED
 RELEASED FOR PUBLICATION
 © COPYRIGHT 2017 BY TE Connectivity Germany GmbH ALL RIGHTS RESERVED.

1 SUBASSEMBLY PIN CONTACT
 Subassembly Stiftkontakt

SECTION A-A



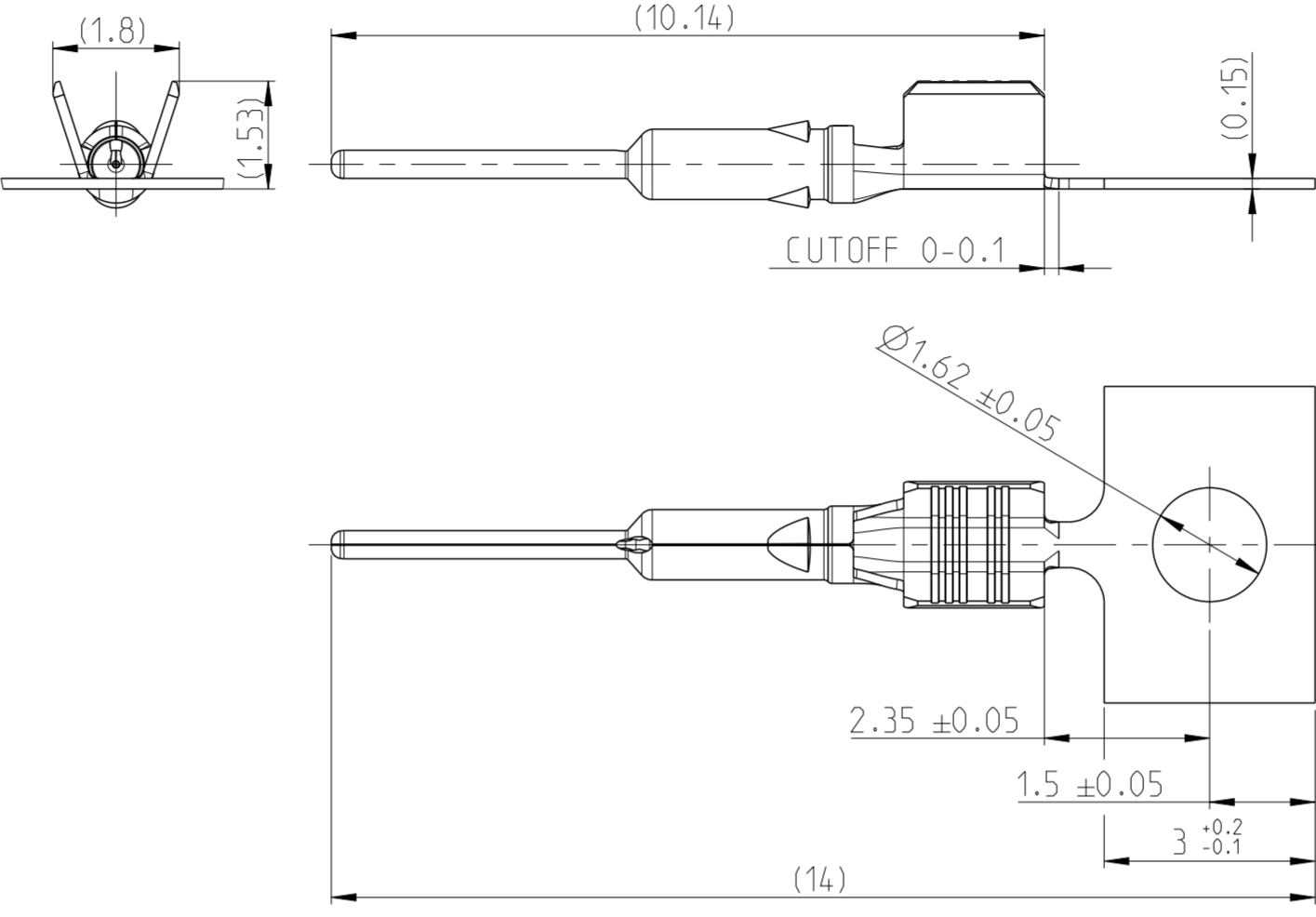
UNWINDING DIRECTION
 2:1



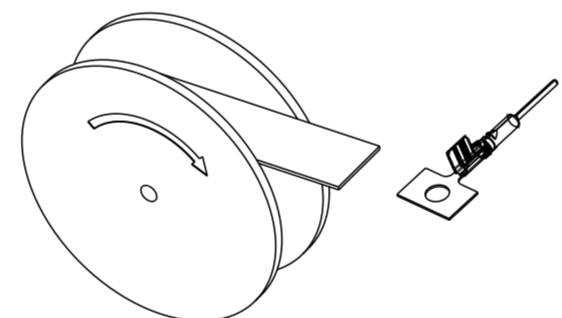
DIE FEED 15mm±0.05

2 PIN CENTER CONTACT
 Innenleiter Stiftkontakt

10:1



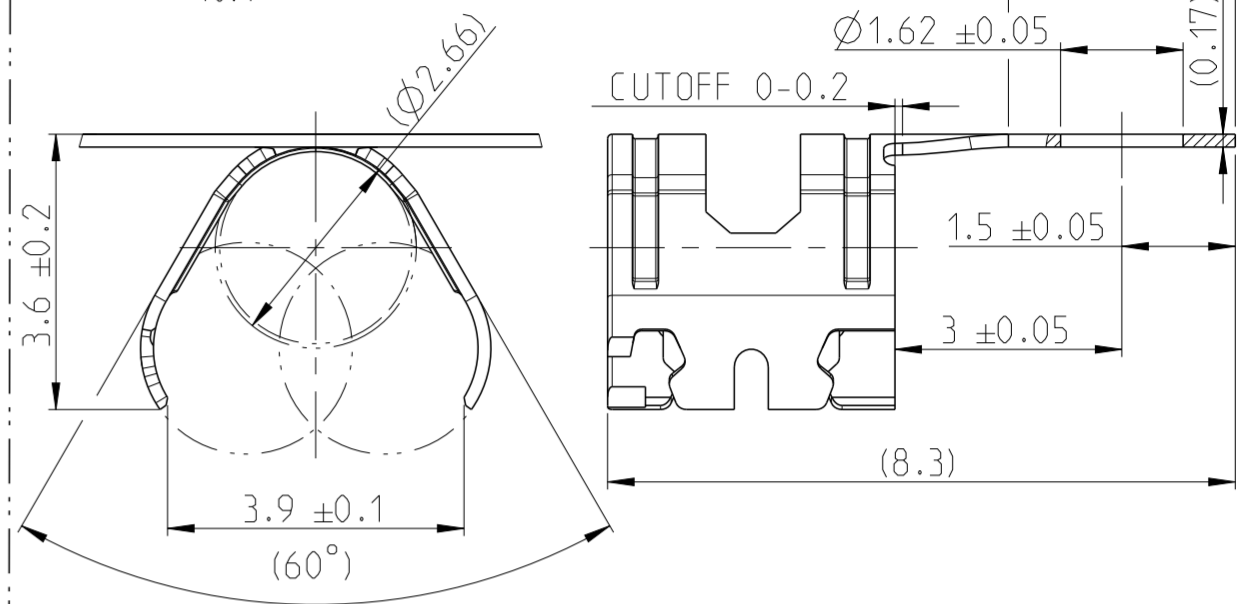
UNWINDING DIRECTION
 2:1



DIE FEED 4.5mm±0.05

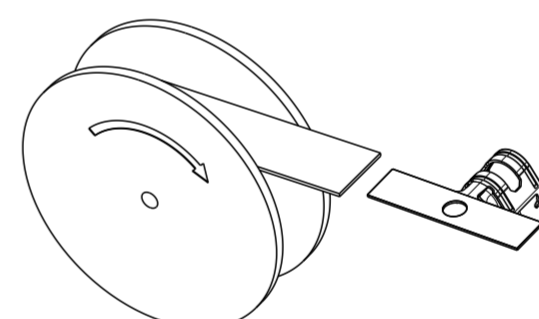
3 FERRULE
 Stuetzhuelse

10:1

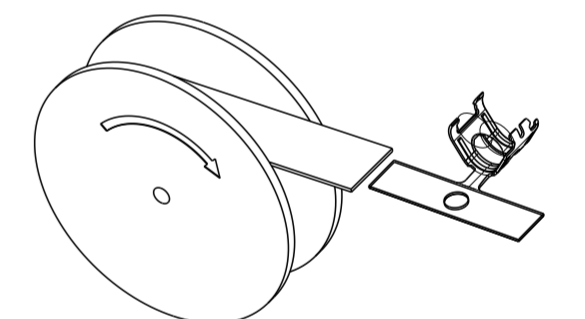


UNWINDING DIRECTION
 2:1

2298126-1



A1
 2298126-2



DIE FEED 12mm±0.05

NOTES
 Bemerkungen

- 1 WEIGHT WITHOUT CARRIER STRIP
 Gewicht ohne Traegerstreifen
- 2 CONTACT KIT PART NUMBER FOR REFERENCE ONLY
 COMPONENTS MUST BE PURCHASED SEPARATELY
 Kontaktkit Teilenummer nur zur Referenz
 Komponenten sind einzeln zu bestellen
- 3 ALLOWED AREA FOR CONTACT GRIPPING
 FOR CABLE TERMINATION
 Zulaessiger Bereich zum Greifen des
 Kontaktes bei der Kabelverarbeitung
- 4 DURING THE PROCESING. THE CONTACT
 MAY BE LOADED WITH MAX. 35N IN AXIAL DIRECTION
 Bei der Verarbeitung darf der Kontakt an
 gezeigter Stelle axial mit max. 35N belastet werden
- 5 ALTERNATIVE 2298126-2 (=2298126-1 IN OPPOSITE REELING DIRECTION)
 Alternativ 2298126-2 (=2298126-1 in entgegengesetzter Wickelrichtung)

CONTACTKIT PART NUMBER	PIECE Stueck	PART No	REV	DESCRIPTION Benennung	MATERIAL Werkstoff	SURFACE Oberflaeche	WEIGHT (g)	ITEM Pos.
2298490-1	1	2298126-1	C	FERRULE,RTK031 Stuetzhuelse,RTK031	STAINLESS STEEL	PLAIN Blank	0.035	3
	1	2298125-1	A	PIN CENTER CONTACT,RTK031 Innenleiter Stiftkontakt,RTK031	CuSn	Ag	0.026	2
	1	2298123-1	A	SUBASSEMBLY, RTK031 PIN CONTACT	PIN Outer Contact Dielectric	CuSn PBT	Sn Green RAL 6018 Similar	0.54

THIS DRAWING IS A CONTROLLED DOCUMENT.

DWN: K.Weinberger 03APR2017
 CHK: S.Aboukassem 16MAY2017
 APVD: C.Schrettlinger 28JUN2017

TE Connectivity

MATE-AX 180DEG PIN CONTACT, ASSY
 MATE-AX 180Grad Stiftkontakt, Assy
 CABLE RTK031

108-94515
 114-94413

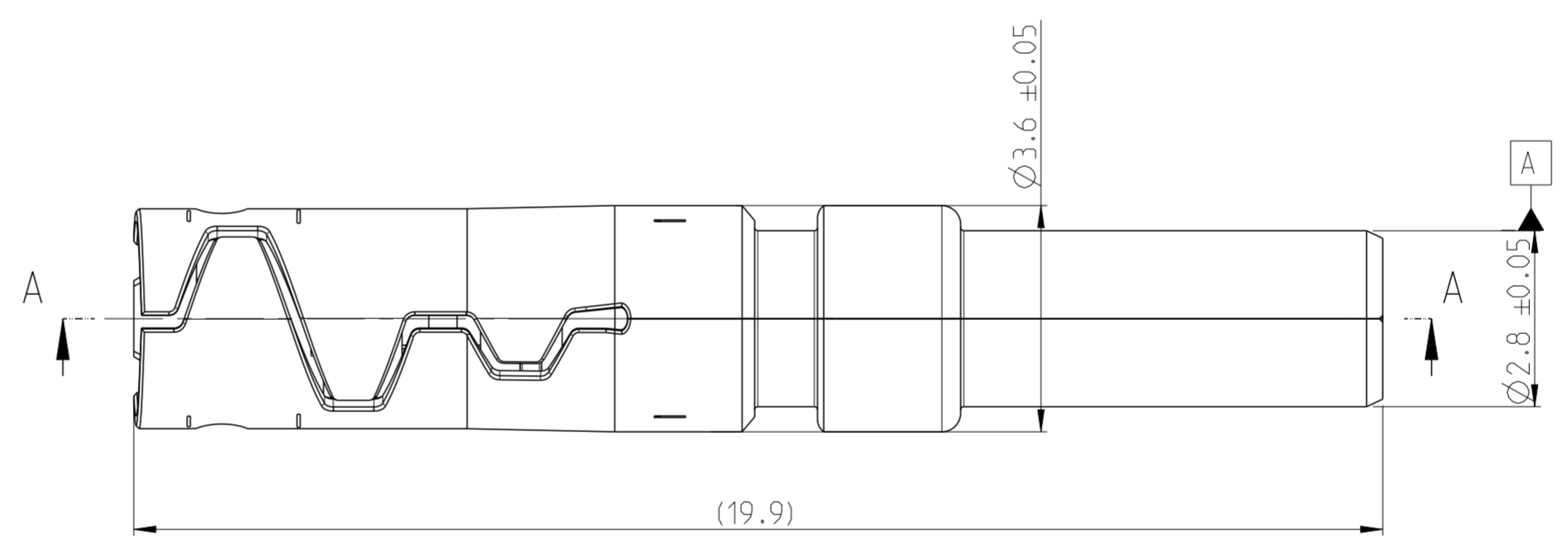
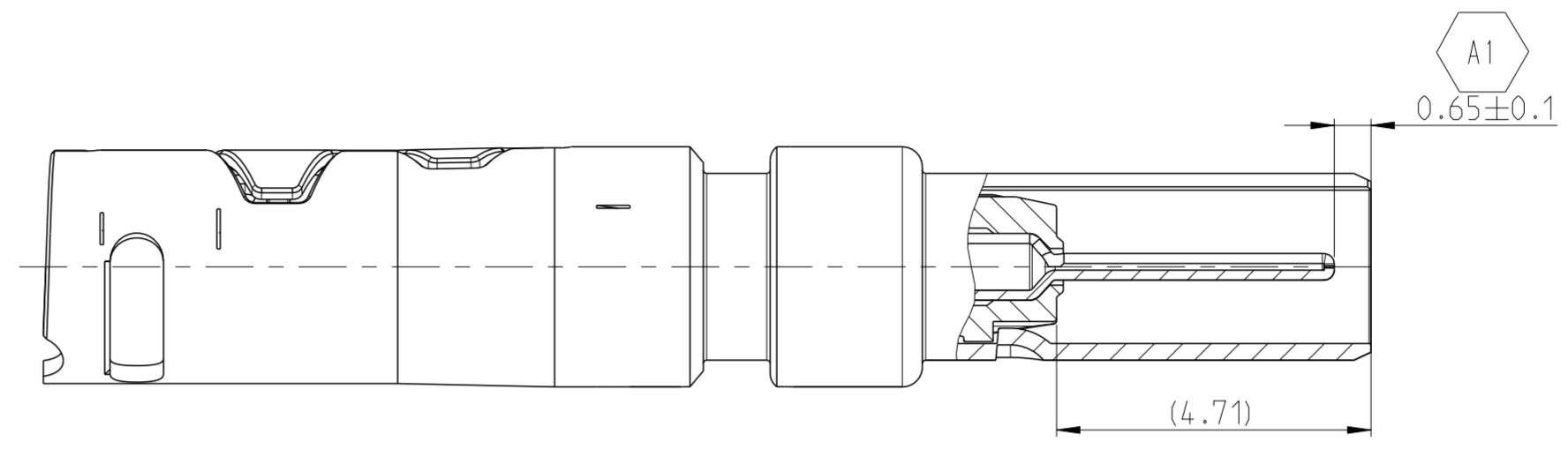
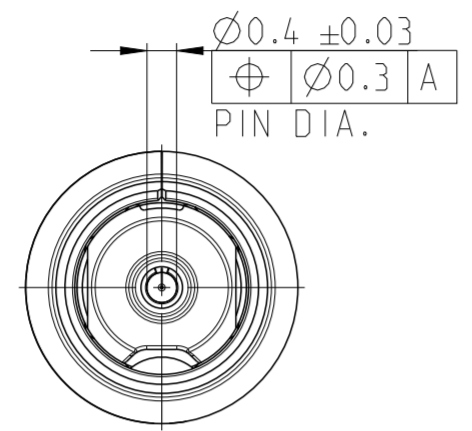
SIZE: A2
 CAGE CODE: 00779
 DRAWING NO: C-2298490
 RESTRICTED TO: -

SCALE: 5:1
 SHEET: 1 OF 2
 REV: A2

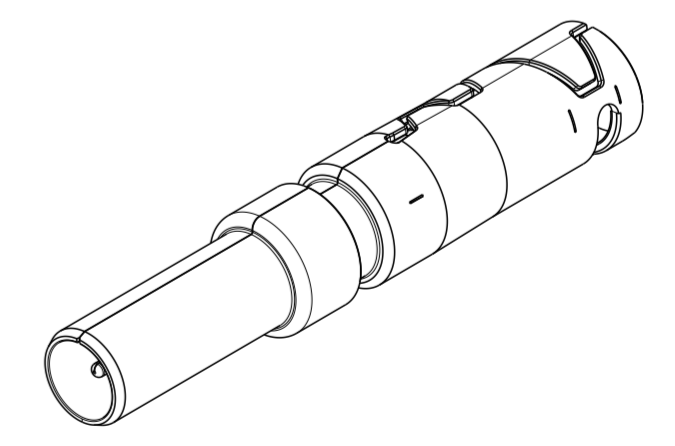
THIS DRAWING IS UNPUBLISHED
 RELEASED FOR PUBLICATION
 © COPYRIGHT 2017 BY TE Connectivity Germany GmbH ALL RIGHTS RESERVED.

REVISIONS					
P	LTR	DESCRIPTION	DATE	DWN	APVD
-		SEE SHEET 1	-	-	-

SECTION A-A



5:1



THIS DRAWING IS A CONTROLLED DOCUMENT.		DWN K.Weinberger 03APR2017	TE Connectivity				
DIMENSIONS: mm		CHK S.Aboukassem 16MAY2017				NAME MATE-AX 180DEG PIN CONTACT, ASSY MATE-AX 180Grad Stiftkontakt, Assy CABLE RTK031	
TOLERANCES UNLESS OTHERWISE SPECIFIED:		APVD C.Schrettlinger 28JUN2017	PRODUCT SPEC 108-94515	SIZE A2	CAGE CODE 00779	DRAWING NO C-2298490	RESTRICTED TO -
MATERIAL		FINISH	APPLICATION SPEC 114-94413	SCALE 5:1	SHEET 2 OF 2	REV A2	
0 PLC ±0.2			WEIGHT -	CUSTOMER DRAWING			
1 PLC ±0.1							
2 PLC ±0.1							
3 PLC ±							
4 PLC ±							
ANGLES ±1°							

X-ON Electronics

Largest Supplier of Electrical and Electronic Components

Click to view similar products for [Automotive Connectors](#) category:

Click to view products by [TE Connectivity](#) manufacturer:

Other Similar products are found below :

[003-018-000](#) [60403001](#) [60993906-B](#) [M902-2131](#) [M902-2161](#) [72.330.1035.1](#) [73.353.4028.0](#) [F119300-B](#) [F166900](#) [F258300-B](#) [F358300-B](#)
[F407400](#) [F444110](#) [F487000](#) [F509500B-B](#) [827153-1](#) [8N1515-32-24P](#) [9-1326729-8](#) [925474-1](#) [928905-1](#) [964562-4](#) [968782-1](#) [GT17SA-8DS-](#)
[HU](#) [98891-1012](#) [98947-1016](#) [12004147](#) [12004475-L](#) [12010290](#) [12010309-B](#) [12015454](#) [12020219-B](#) [12020308](#) [12041318-B](#) [12052225-L](#)
[12052466](#) [12059125](#) [12064869](#) [12004327-B](#) [12010503-B](#) [12015308](#) [12015384](#) [12015909](#) [1-21030-1](#) [12041254](#) [12041318](#) [12047946-B](#)
[12047957](#) [12047957-L](#) [12059473](#) [12066261](#)