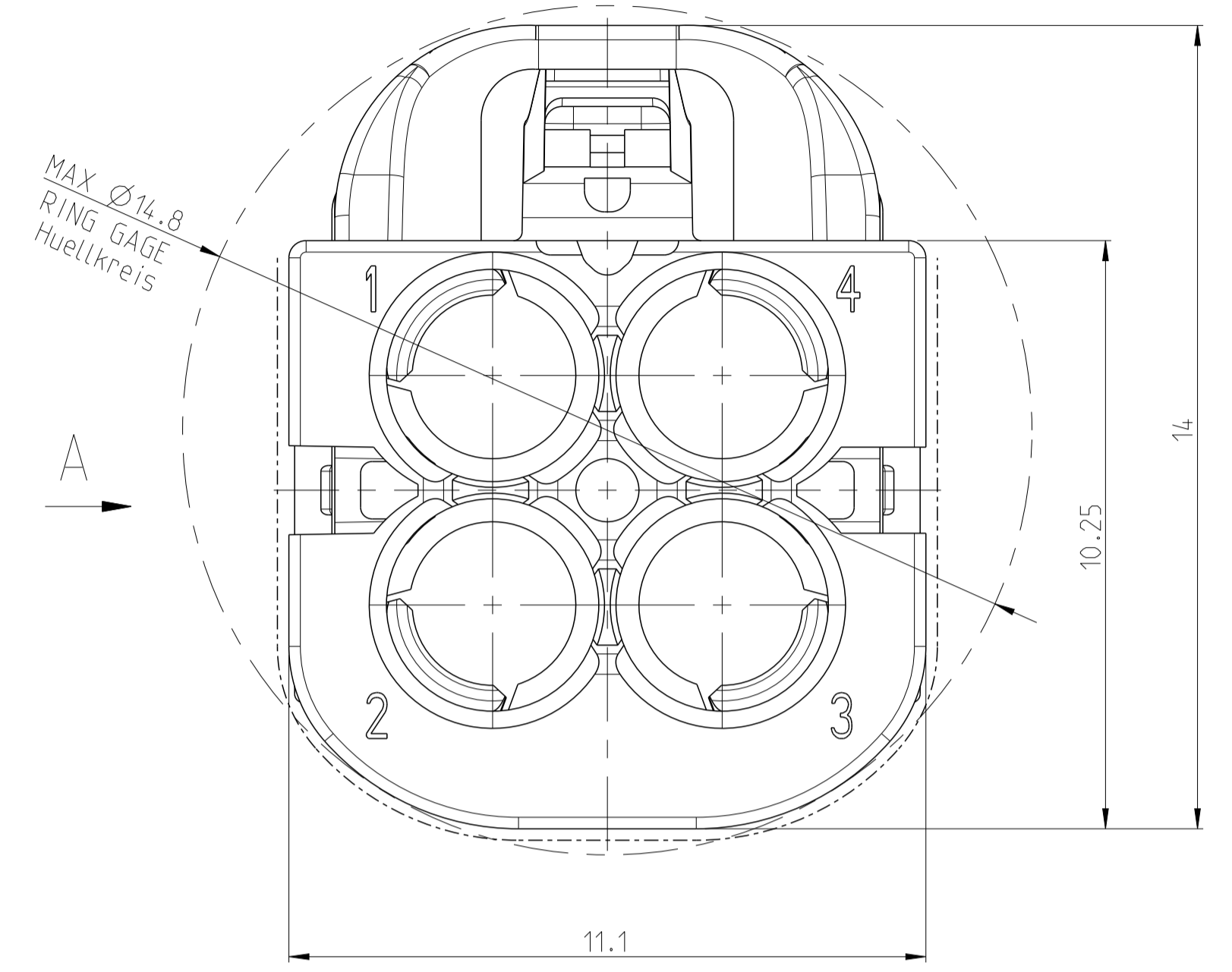
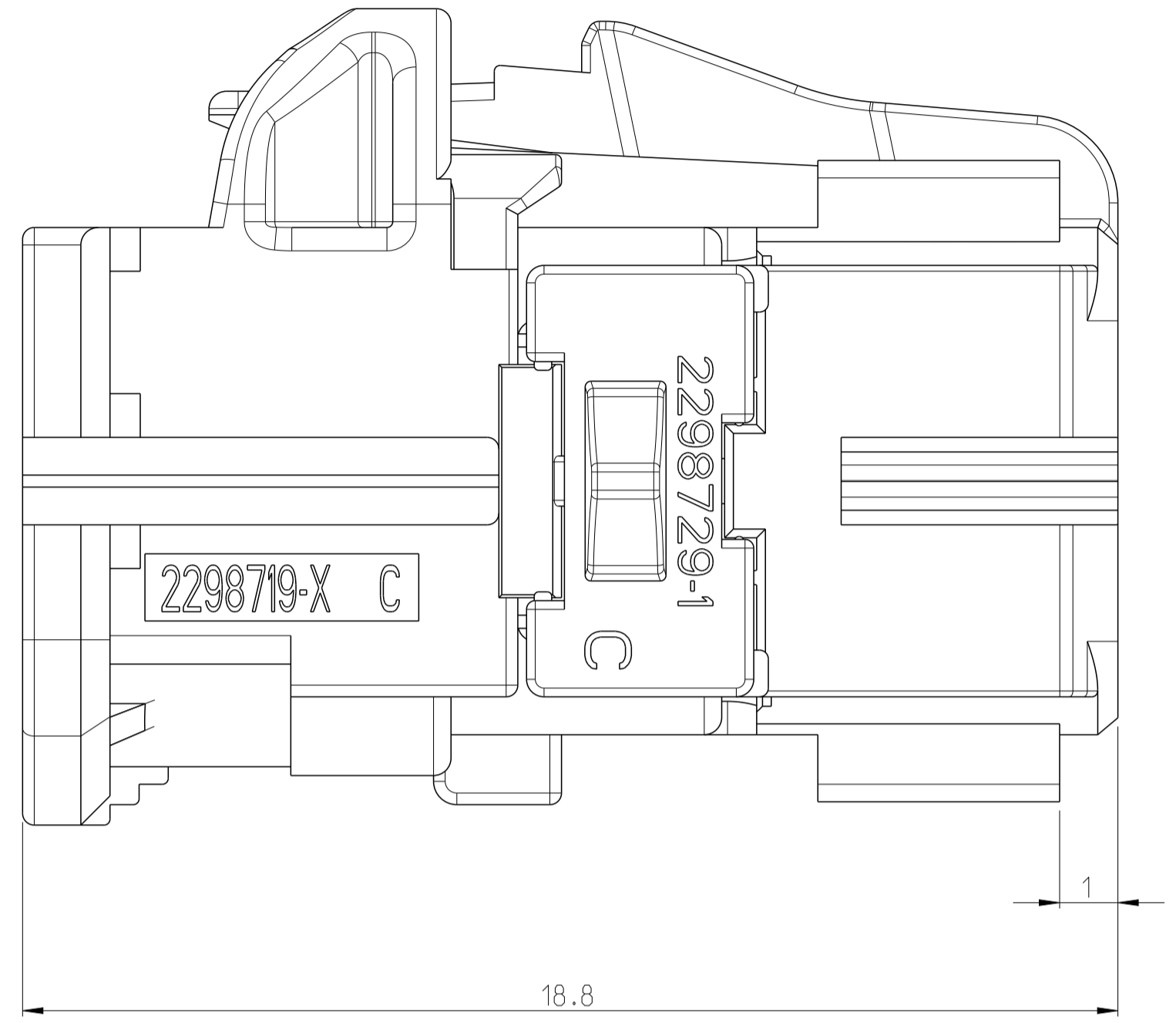
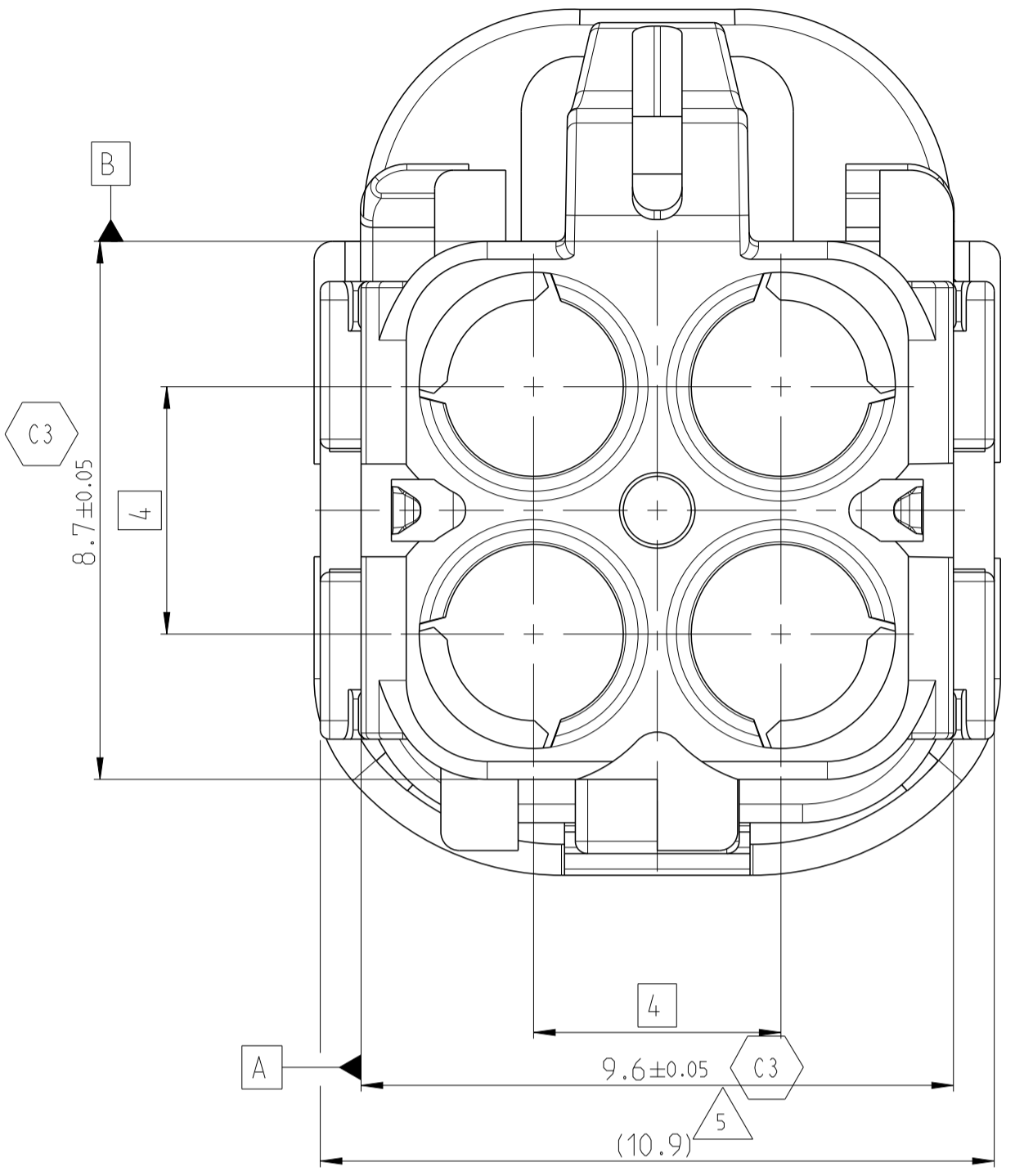
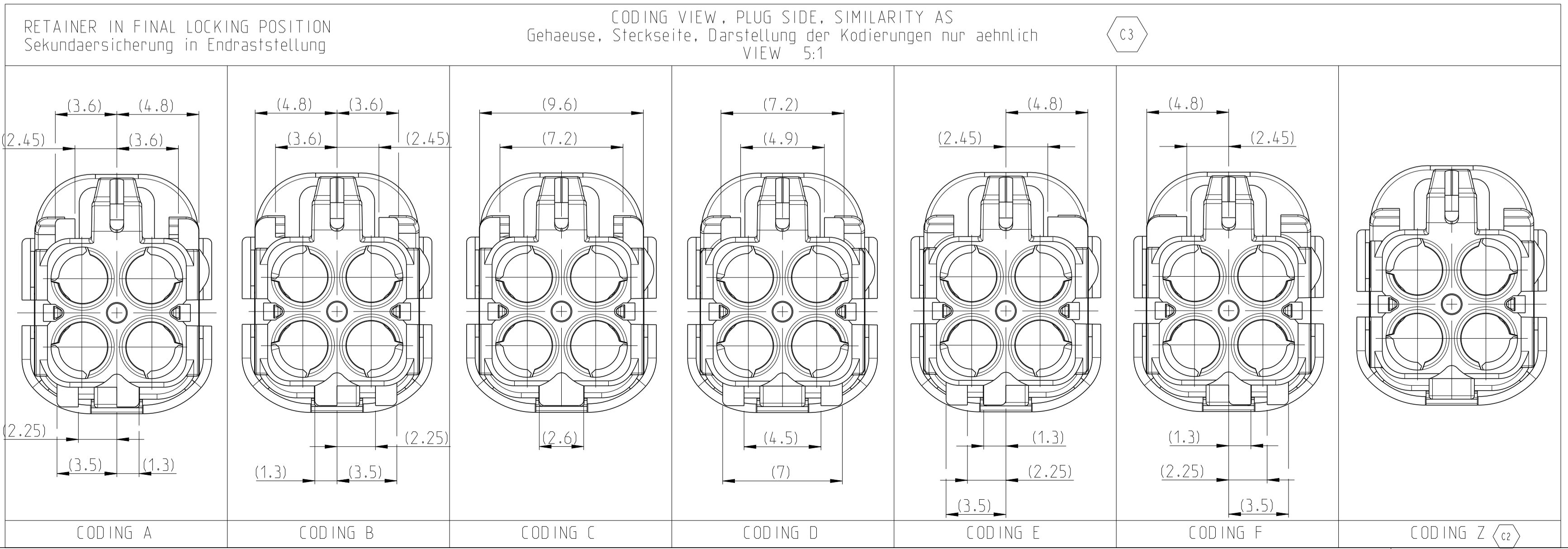
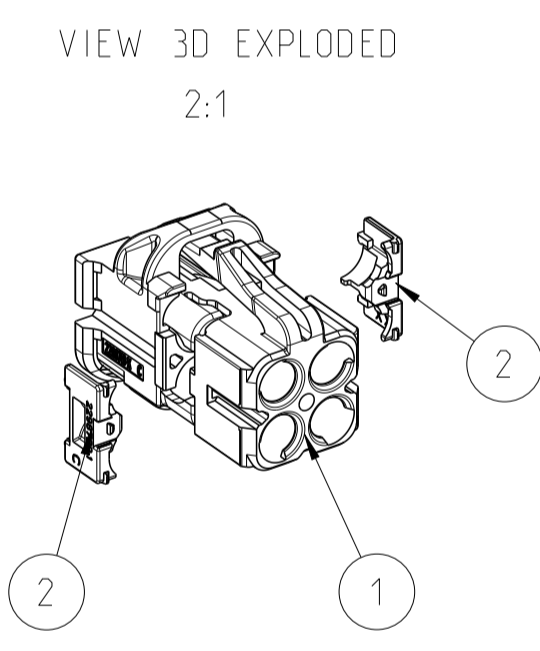
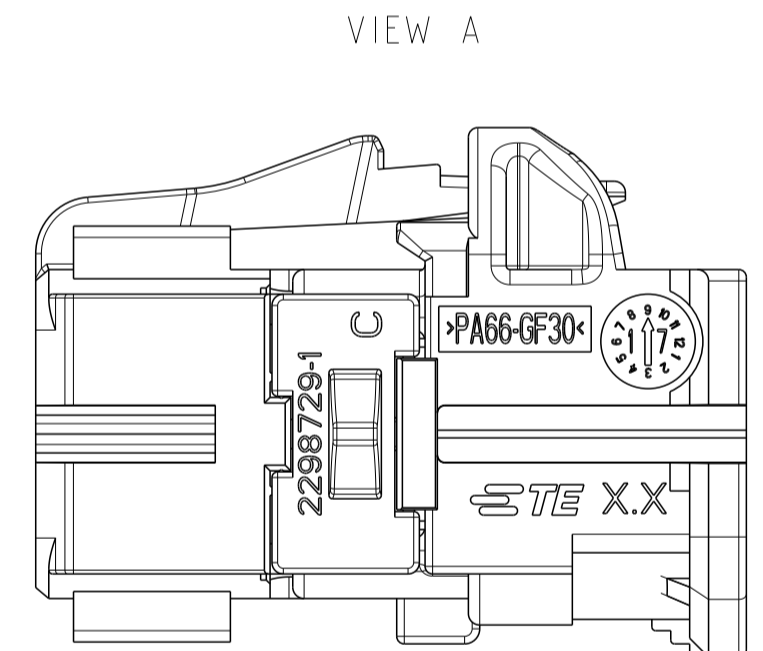


REVISIONS				
P.	LTN.	DESCRIPTION	DATE	APPV.
C		Activity area changed	28SEP2017	KW CS
C1		Drawing update see index	27JUN2018	GB CS
C2		View coding Z corrected	02JUL2018	GB CS
C3		See change index C3	06FEB2020	GB CS



- ONLY THE GERMAN LANGUAGE SHALL BE BINDING
Massgebend ist der deutsche Text
- DETAILS OF DESIGN ARE LEFT TO TE CONNECTIVITY
Einzelheiten der Ausfuehrung bleiben TE CONNECTIVITY ueberlassen
- PACKAGING: BULK IN PLASTIC BAG IN CARDBOARD BOX
Verpackung: Schuettgut in Kunststoffbeutel in Karton
- TE ORDER NO. 2298721-1 CODING A AS SHOWN
TE-Bestellnummer 2298721-1 Kodierung A wie dargestellt
- DELIVERY CONDITION: RETAINER IN PRE-LOCKING POSITION.
IF IN ENDOCKING POSITION OR LOST AFTER TRANSPORTATION,
REWORK BY USING OF NEW RETAINER ALLOWED IN ACCORDANCE
TO APPLICATION SPECIFICATION.
Anlieferzustand: Sekundaersicherung in Vorraststellung.
Wenn nach Transport endverrastet oder herausgefallen, Nacharbeit unter
Verwendung neuer Sekundaersicherungen erlaubt gemass Verarbeitungs-
Spezifikation.
- MATCHING TO CONTACT TE NO. 2298488 AND 2298510
Passend zu Kontakt TE-Nr. 2298488 und 2298510
- CONFECTION TESTS COMBINED WITH CONTACT LEADS ARE TO BE MADE WITH
RF-ADAPTER 1-523216-0
Konfektionspruefungen in Verbindung mit Leitungen sind durchzufuehren mit
HF-Adapter 1-523216-0



TE ORDER NO.	COD.	REV.	QTY.	DESCRIPTION	MATERIAL	COLOR / SIMILAR RAL	WEIGHT (g)	POS.
2298721-9	Z	C	2	RETAINER	PA66-GF30	TRAFFIC PURPLE / 4006	1.1	2
			1	HOUSING	PA66-GF30	WATER BLUE / 5021	1	1
2298721-6	F	C	2	RETAINER	PA66-GF30	TRAFFIC PURPLE / 4006	1.1	2
			1	HOUSING	PA66-GF30	NUT BROWN / 8011	1	1
2298721-5	E	C	2	RETAINER	PA66-GF30	TRAFFIC PURPLE / 4006	1.1	2
			1	HOUSING	PA66-GF30	MAY GREEN / 6017	1	1
2298721-4	D	C	2	RETAINER	PA66-GF30	TRAFFIC PURPLE / 4006	1.1	2
			1	HOUSING	PA66-GF30	CLARET VIOLET / 4004	1	1
2298721-3	C	C	2	RETAINER	PA66-GF30	TRAFFIC PURPLE / 4006	1.1	2
			1	HOUSING	PA66-GF30	LIGHT BLUE / 5012	1	1
2298721-2	B	C	2	RETAINER	PA66-GF30	TRAFFIC PURPLE / 4006	1.1	2
			1	HOUSING	PA66-GF30	PURE WHITE / 9010	1	1
2298721-1	A	C	2	RETAINER	PA66-GF30	TRAFFIC PURPLE / 4006	1.1	2
			1	HOUSING	PA66-GF30	JET BLACK / 9005	1	1

THIS DRAWING IS A CONTROLLED DOCUMENT. DWG: 030CT2016
 LG_van de Burch
 C. Schrettlinger
 170CT2016

DIMENSIONS: mm
 TOLERANCES UNLESS OTHERWISE SPECIFIED:
 0 PLC ±0.2
 1 PLC ±0.2
 2 PLC ±0.2
 3 PLC ±0.2
 4 PLC ±0.2
 ANGLES ±°
 FINISH ±μm

MATERIAL: SEE TABLE
 CUSTOMER DRAWING

NAME: 4POS.MATE-AX.SOC HSG ASSY.180DEG
 4pol.MATE-AX.Buchsengeh Zsb.180Grad

SIZE: A1
 CAGE CODE: -
 DRAWING NO: C=2298721
 SCALE: 5:1
 SHEET: 1 OF 1
 REV: C3

X-ON Electronics

Largest Supplier of Electrical and Electronic Components

Click to view similar products for [Headers & Wire Housings](#) category:

Click to view products by [TE Connectivity](#) manufacturer:

Other Similar products are found below :

[892-18-020-10-001101](#) [58102-G61-06LF](#) [582553-1](#) [0009485154](#) [009176003701906](#) [0050291907](#) [LY20-4P-DT1-P1E-BR](#) [02.125.8002.8](#)
[609-3404](#) [61062-3](#) [61082-181009](#) [622-3653LF](#) [63453-116](#) [636-1030](#) [636-1427](#) [636-3427](#) [636-4007](#) [641938-9](#) [641991-4](#) [644827-2](#) [65817-](#)
[010LF](#) [65817-015LF](#) [65863-015LF](#) [66207-023LF](#) [67095-007LF](#) [67601157](#) [68645-018](#) [68648-049](#) [70.362.1628.0](#) [70-4210](#) [70-4226B](#) [70-](#)
[4853B](#) [707-5020](#) [707-5028](#) [71.350.2428.0](#) [71918-208LF](#) [71961-016LF](#) [733-134](#) [733-162](#) [754199-000](#) [760-3052](#) [787-8014-00](#) [79531-3000](#)
[FCN-360C032-B](#) [FCN-367T-T012/H](#) [FCN-723D010/2](#) [80.063.4001.1](#) [800-90-001-10-001000](#) [800-90-010-10-002000](#) [801-43-002-10-013000](#)