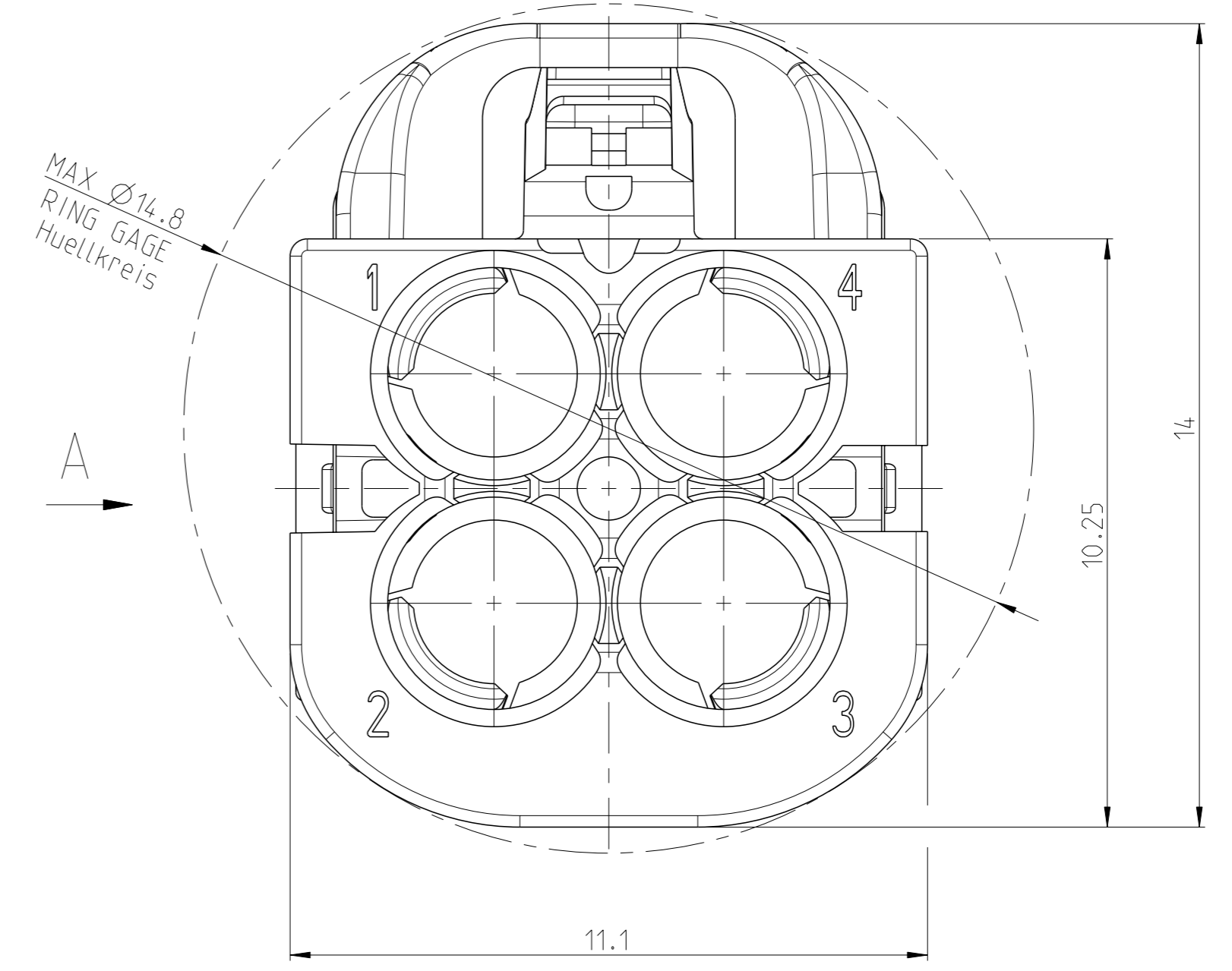
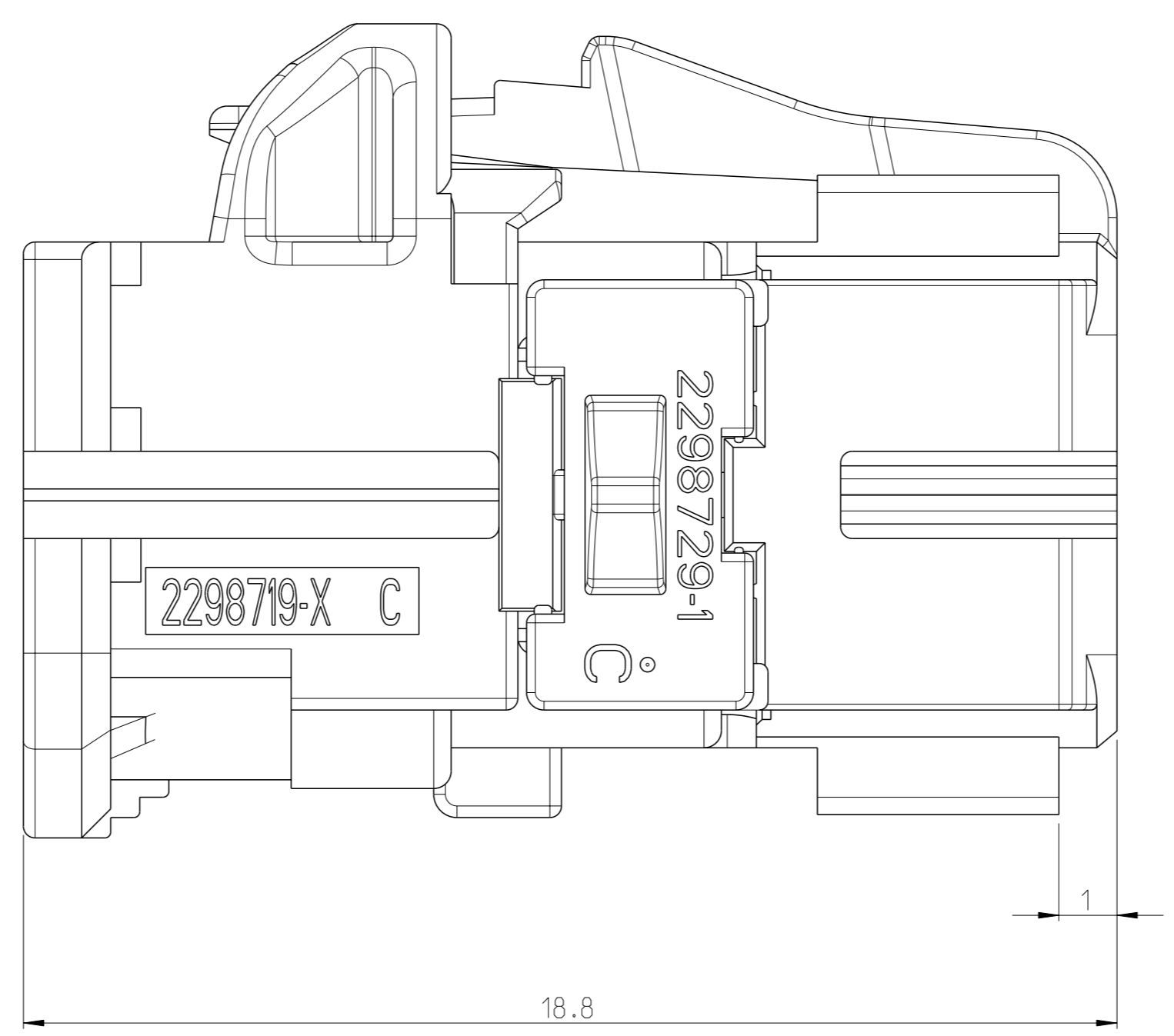
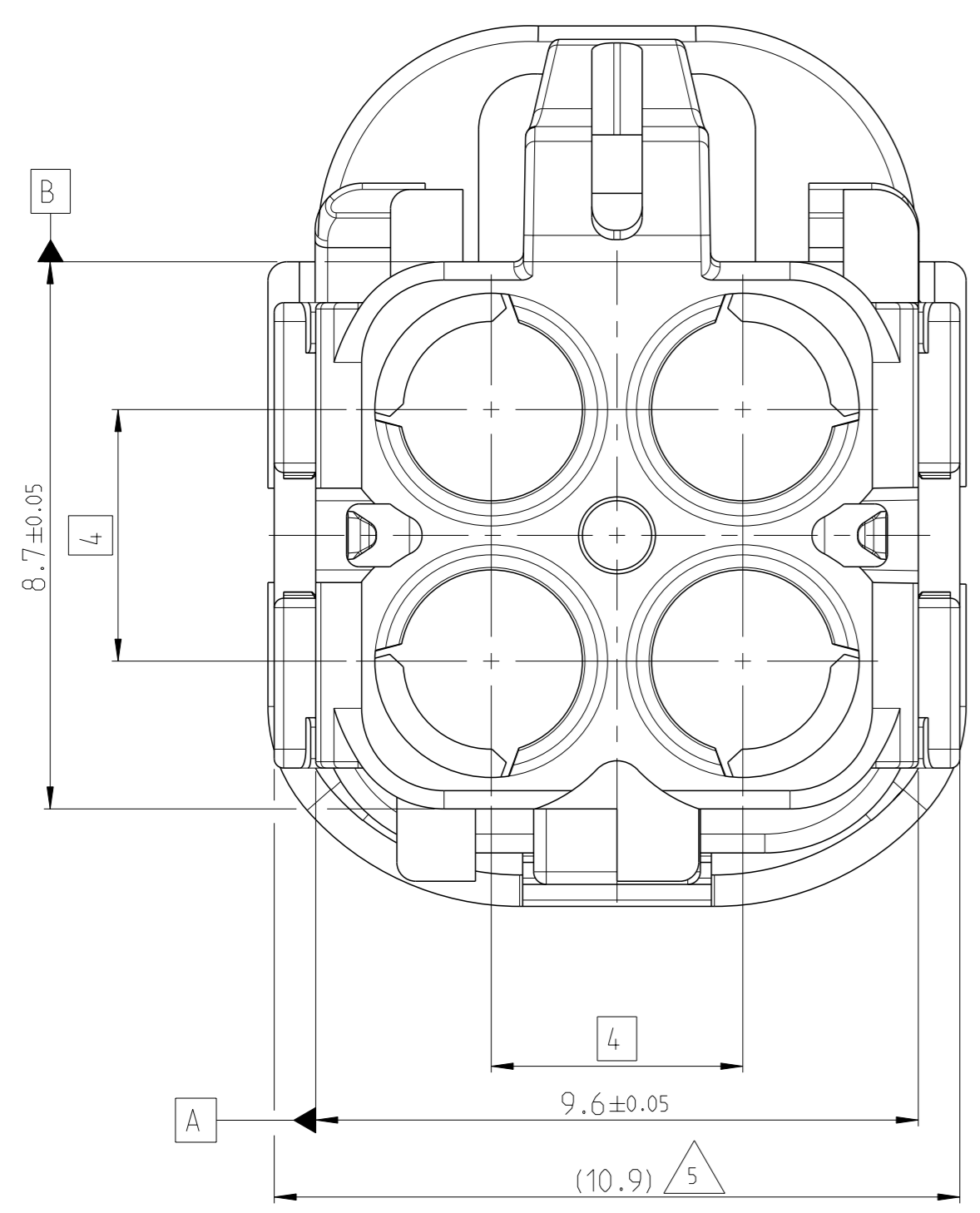
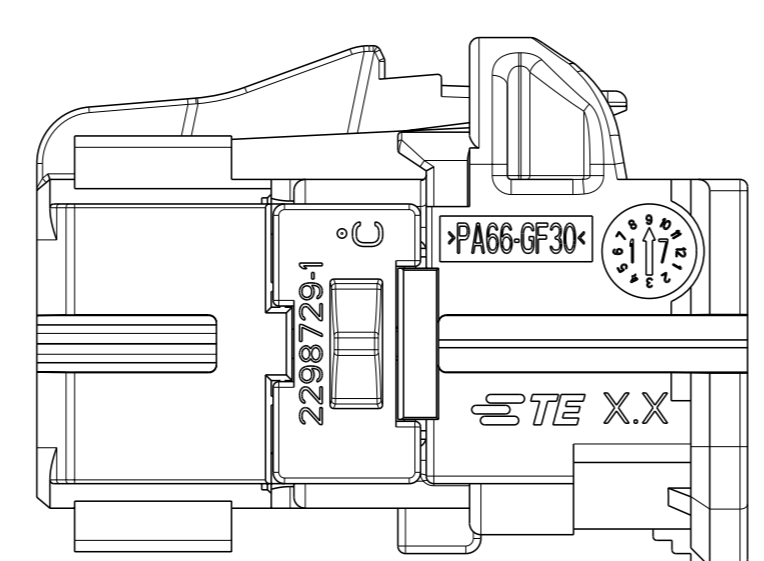


REVISIONS					
#	CTH	DESCRIPTION	DATE	OWN	APVD
C1		Drawing update see index	27 JUN 2018	GB	CS
C2		View coding Z corrected	02 JUL 2018	GB	CS
C3		See change index C3	06 FEB 2020	GB	CS
C4		Non CPA and CPA versions on sheet 2 and 3	2 MAY 2021	VS	CS

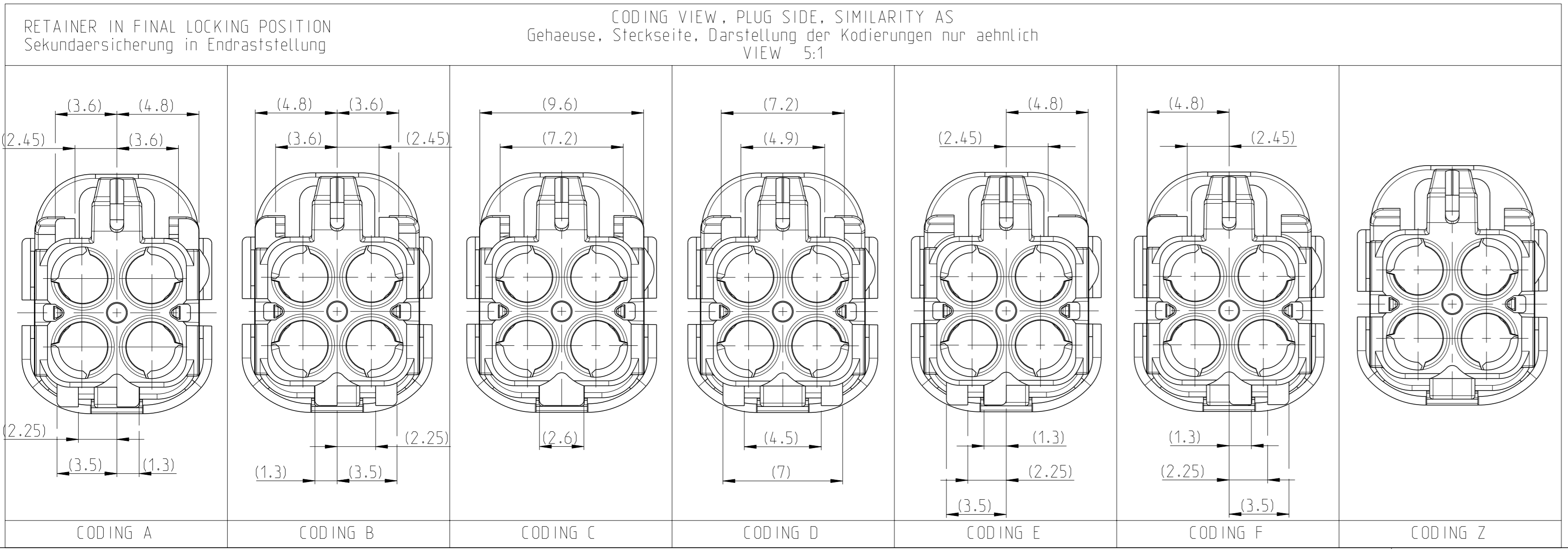
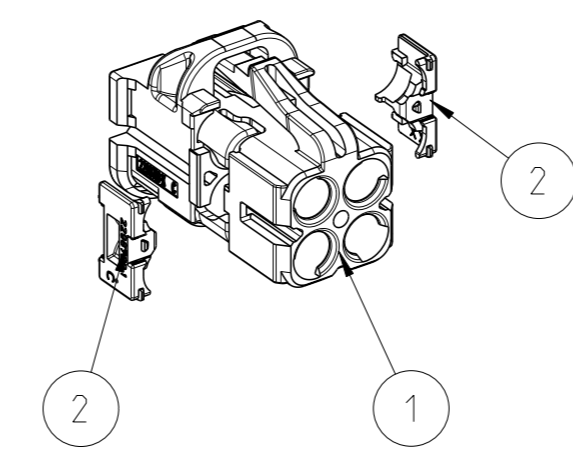


- 1 ONLY THE GERMAN LANGUAGE SHALL BE BINDING
Massgebend ist der deutsche Text
- 2 DETAILS OF DESIGN ARE LEFT TO TE CONNECTIVITY
Einzelheiten der Ausfuehrung bleiben TE CONNECTIVITY ueberlassen
- 3 PACKAGING: BULK IN PLASTIC BAG IN CARDBOARD BOX
Verpackung: Schuetftgut in Kunststoffbeutel in Karton
- 4 TE ORDER NO. 2298721-1 CODING A AS SHOWN
TE-Bestellnummer 2298721-1 Kodierung A wie dargestellt
- 5 Retainer and CPA in pre-locking position
Sekundaerriegelung und CPA in Vorraststellung
- 6 MATCHING TO CONTACT TE NO. 2298488 AND 2298510
Passend zu Kontakt TE-Nr. 2298488 und 2298510
- 7 CONFECTION TESTS COMBINED WITH CONTACT LEADS ARE TO BE MADE WITH
RF-ADAPTER 1-523216-0
Konfektionspruefungen in Verbindung mit Leitungen sind durchzufuehren mit
HF-Adapter 1-523216-0

VIEW A



VIEW 3D EXPLODED 2:1



TE ORDER NO.	COD.	REV.	QTY.	DESCRIPTION	MATERIAL	COLOR / SIMILAR RAL	WEIGHT (g)	POS.
2298721-9	Z	C	2	RETAINER	PA66-GF30	TRAFFIC PURPLE / 4006	1.1	2
			1	HOUSING	PA66-GF30	WATER BLUE / 5021		1
2298721-6	F	C	2	RETAINER	PA66-GF30	TRAFFIC PURPLE / 4006	1.1	2
			1	HOUSING	PA66-GF30	NUT BROWN / 8011		1
2298721-5	E	C	2	RETAINER	PA66-GF30	TRAFFIC PURPLE / 4006	1.1	2
			1	HOUSING	PA66-GF30	MAY GREEN / 6017		1
2298721-4	D	C	2	RETAINER	PA66-GF30	TRAFFIC PURPLE / 4006	1.1	2
			1	HOUSING	PA66-GF30	CLARET VIOLET / 4004		1
2298721-3	C	C	2	RETAINER	PA66-GF30	TRAFFIC PURPLE / 4006	1.1	2
			1	HOUSING	PA66-GF30	LIGHT BLUE / 5012		1
2298721-2	B	C	2	RETAINER	PA66-GF30	TRAFFIC PURPLE / 4006	1.1	2
			1	HOUSING	PA66-GF30	PURE WHITE / 9010		1
2298721-1	A	C	2	RETAINER	PA66-GF30	TRAFFIC PURPLE / 4006	1.1	2
			1	HOUSING	PA66-GF30	JET BLACK / 9005		1

THIS DRAWING IS A CONTROLLED DOCUMENT. DWG: G. van de Burch 03JCT2016
 CHK: C. Schrettlinger 17OCT2016
 APVD: W. Mueller 21OCT2016

TE TE Connectivity

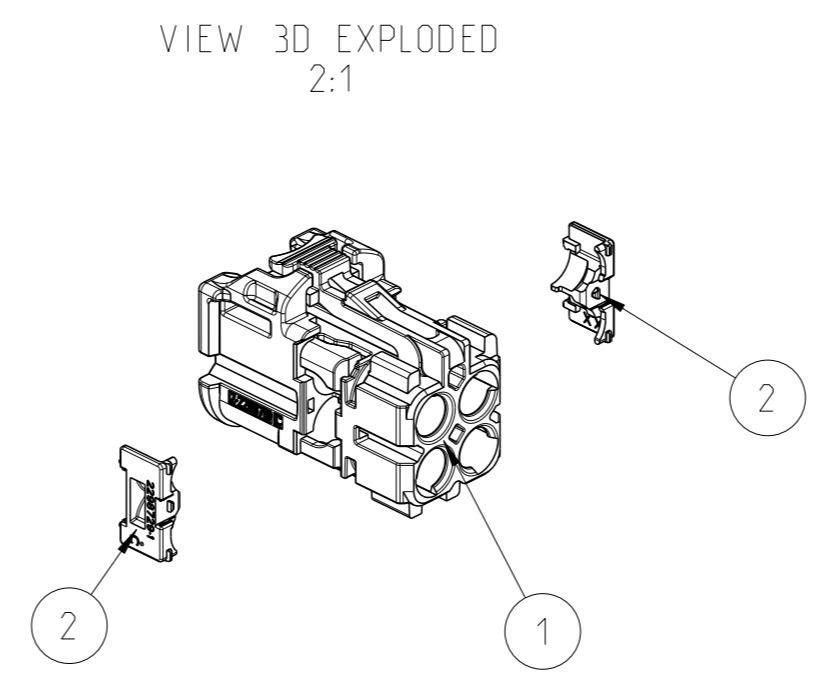
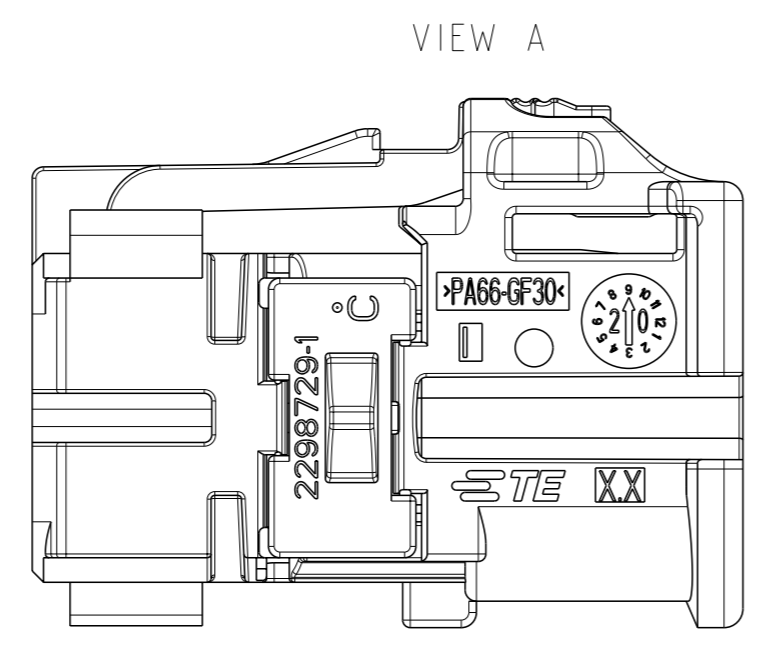
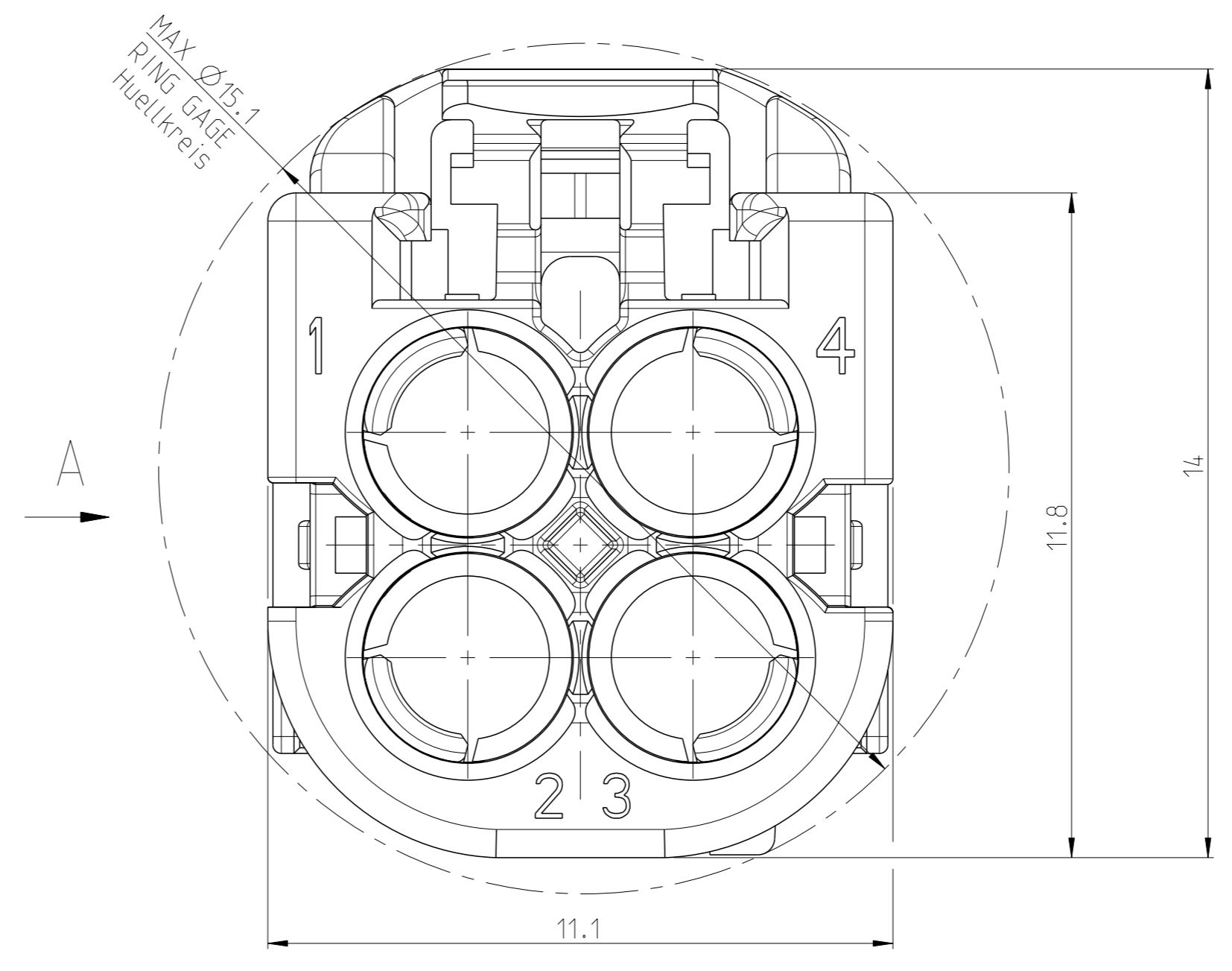
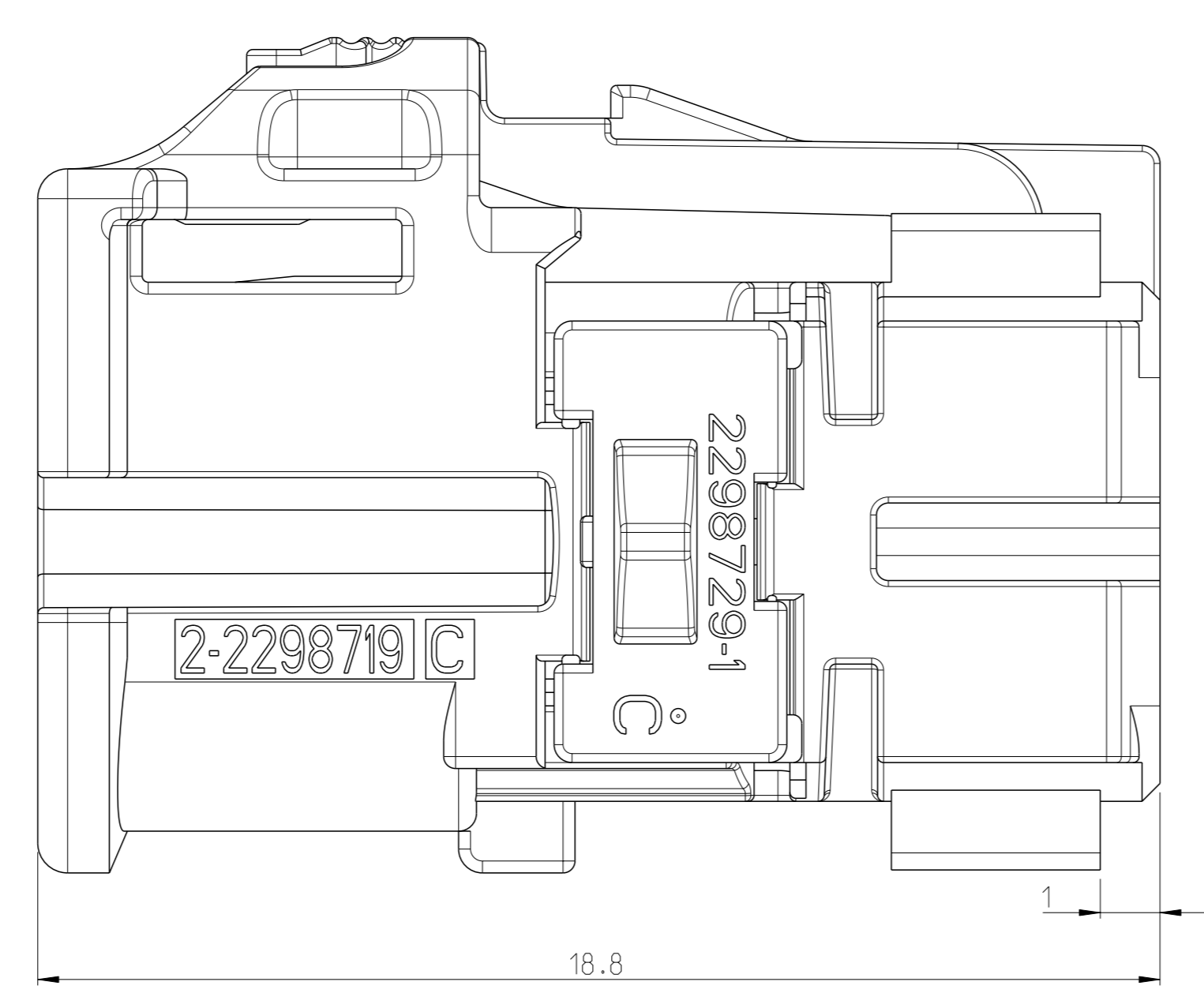
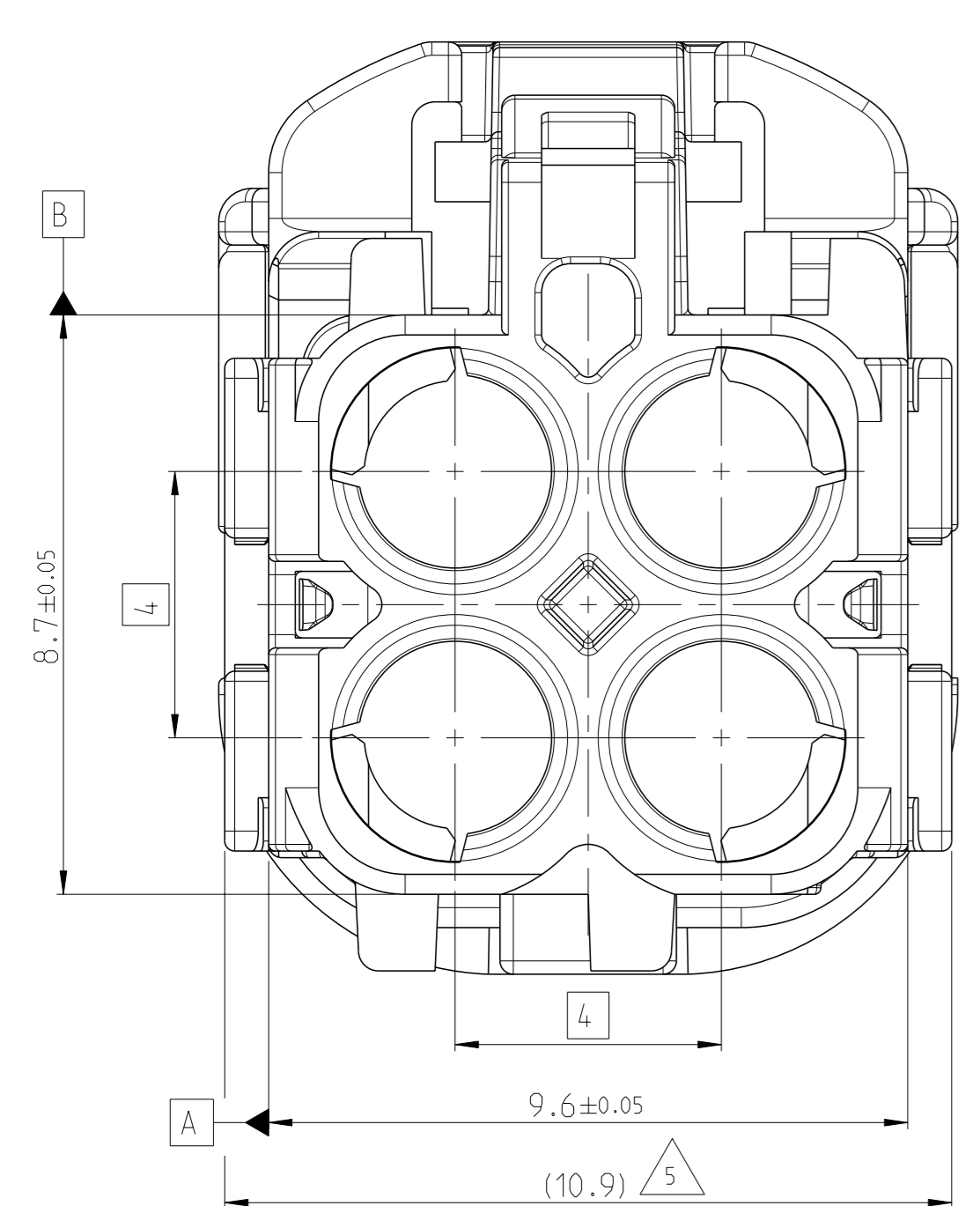
NAME: 4POS.MATE-AX.SOC HSG ASSY.180DEG
 4pol.MATE-AX.Buchsengeh Zsb.180Grad

PRODUCT SPEC: 108-94709
 APPLICATION SPEC: 114-94468

SIZE: A1 CAGE CODE: - DRAWING NO: - RESTRICTED TO: -
 SCALE: 10:1 SHEET: 1 OF 3 REV: C4

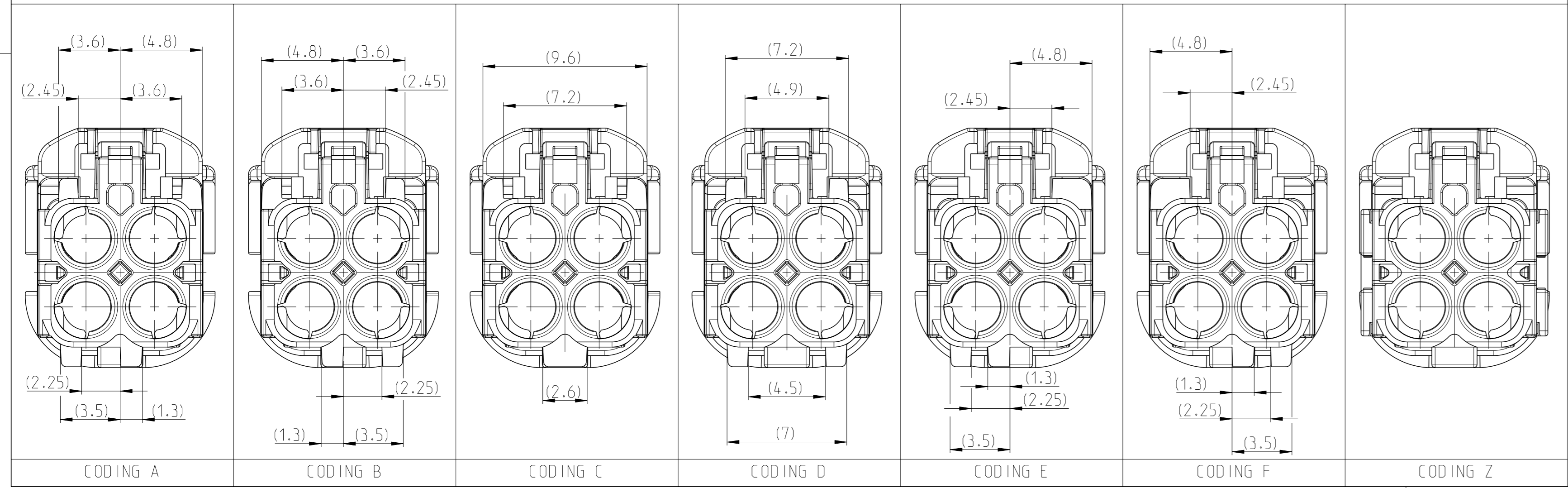
MATERIAL: SEE TABLE
 FINISH: -
 WEIGHT: -
 CUSTOMER DRAWING

REVISIONS				
REV.	DATE	DESCRIPTION	OWN	APVD
-	-	SEE SHEET 1	-	-



TE ORDER NO. 1-2298721-1 CODING A AS SHOWN
 TE-Bestellnummer 1-2298721-1 Kodierung A wie dargestellt

CODING VIEW, PLUG SIDE, SIMILARITY AS
 Gehäuse, Steckseite, Darstellung der Kodierungen nur aehnlich
 VIEW 5:1



TE ORDER NO.	COD.	REV.	QTY.	DESCRIPTION	MATERIAL	COLOUR / SIMILAR RAL	WEIGHT (g)	POS.
1-2298721-9	Z	C	2	RETAINER	PA66-GF30	TRAFFIC PURPLE / 4006	1.07	2
			1	HOUSING	PA66-GF30	WATER BLUE / 5021	1.07	1
1-2298721-6	F	C	2	RETAINER	PA66-GF30	TRAFFIC PURPLE / 4006	1.07	2
			1	HOUSING	PA66-GF30	NUT BROWN / 8011	1.07	1
1-2298721-5	E	C	2	RETAINER	PA66-GF30	TRAFFIC PURPLE / 4006	1.07	2
			1	HOUSING	PA66-GF30	MAY GREEN / 6017	1.07	1
1-2298721-4	D	C	2	RETAINER	PA66-GF30	TRAFFIC PURPLE / 4006	1.07	2
			1	HOUSING	PA66-GF30	CLARET VIOLET / 4004	1.07	1
1-2298721-3	C	C	2	RETAINER	PA66-GF30	TRAFFIC PURPLE / 4006	1.07	2
			1	HOUSING	PA66-GF30	LIGHT BLUE / 5012	1.07	1
1-2298721-2	B	C	2	RETAINER	PA66-GF30	TRAFFIC PURPLE / 4006	1.07	2
			1	HOUSING	PA66-GF30	PURE WHITE / 9010	1.07	1
1-2298721-1	A	C	2	RETAINER	PA66-GF30	TRAFFIC PURPLE / 4006	1.07	2
			1	HOUSING	PA66-GF30	JET BLACK / 9005	1.07	1

THIS DRAWING IS A CONTROLLED DOCUMENT. DWG: G. van de Burch 03JCT2016
 C. Schrettlinger 17OCT2016
 W. Mueller 21OCT2016

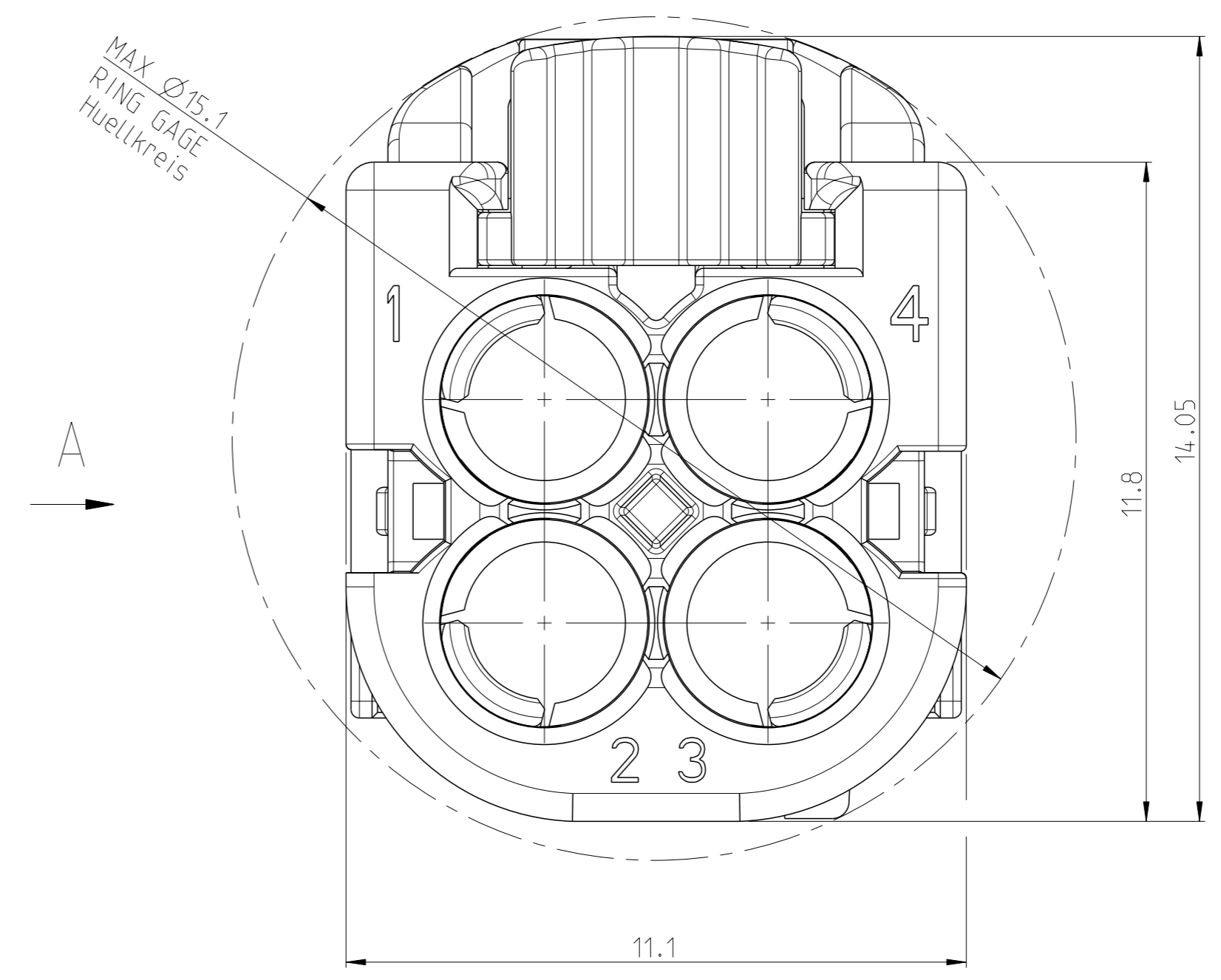
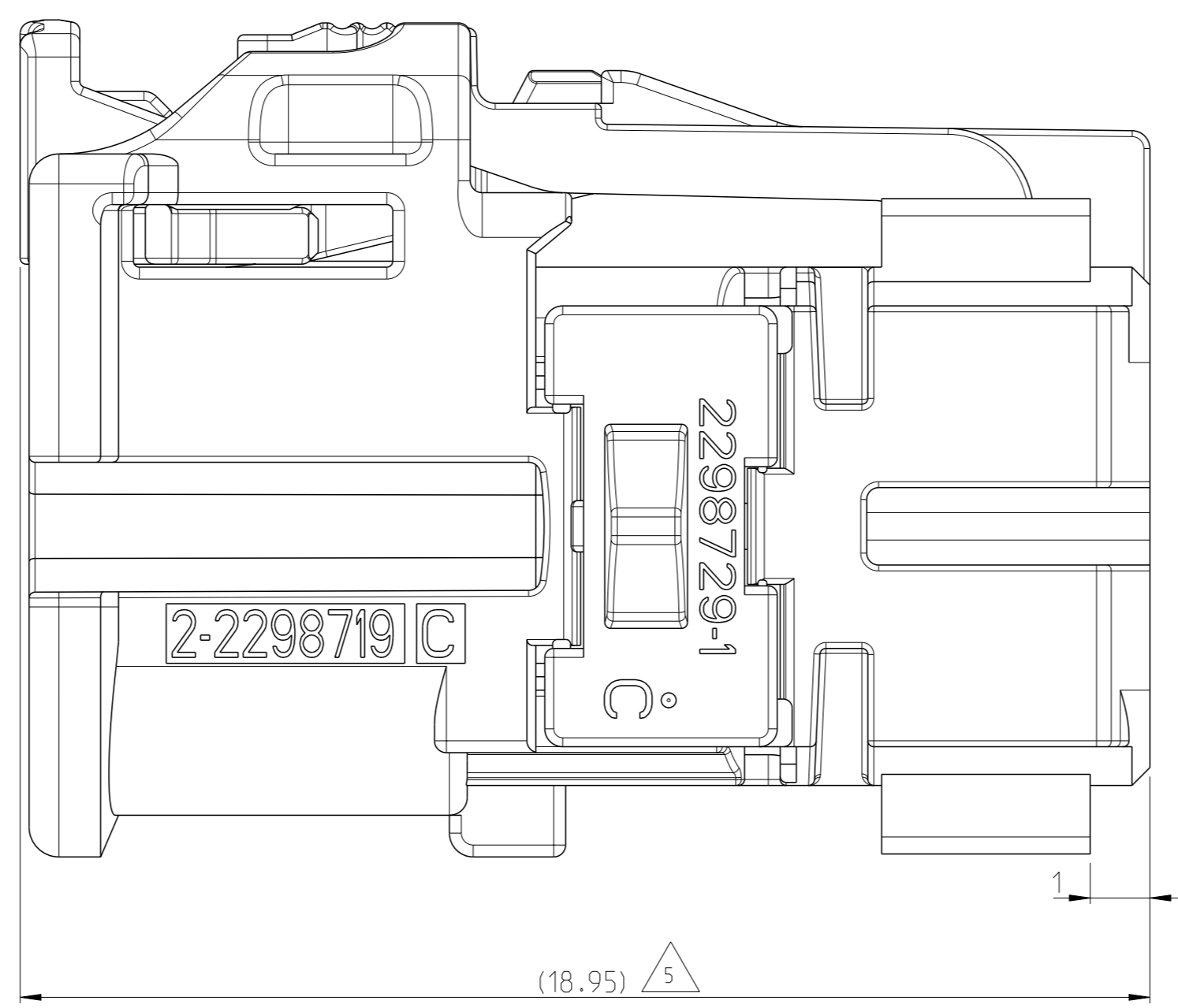
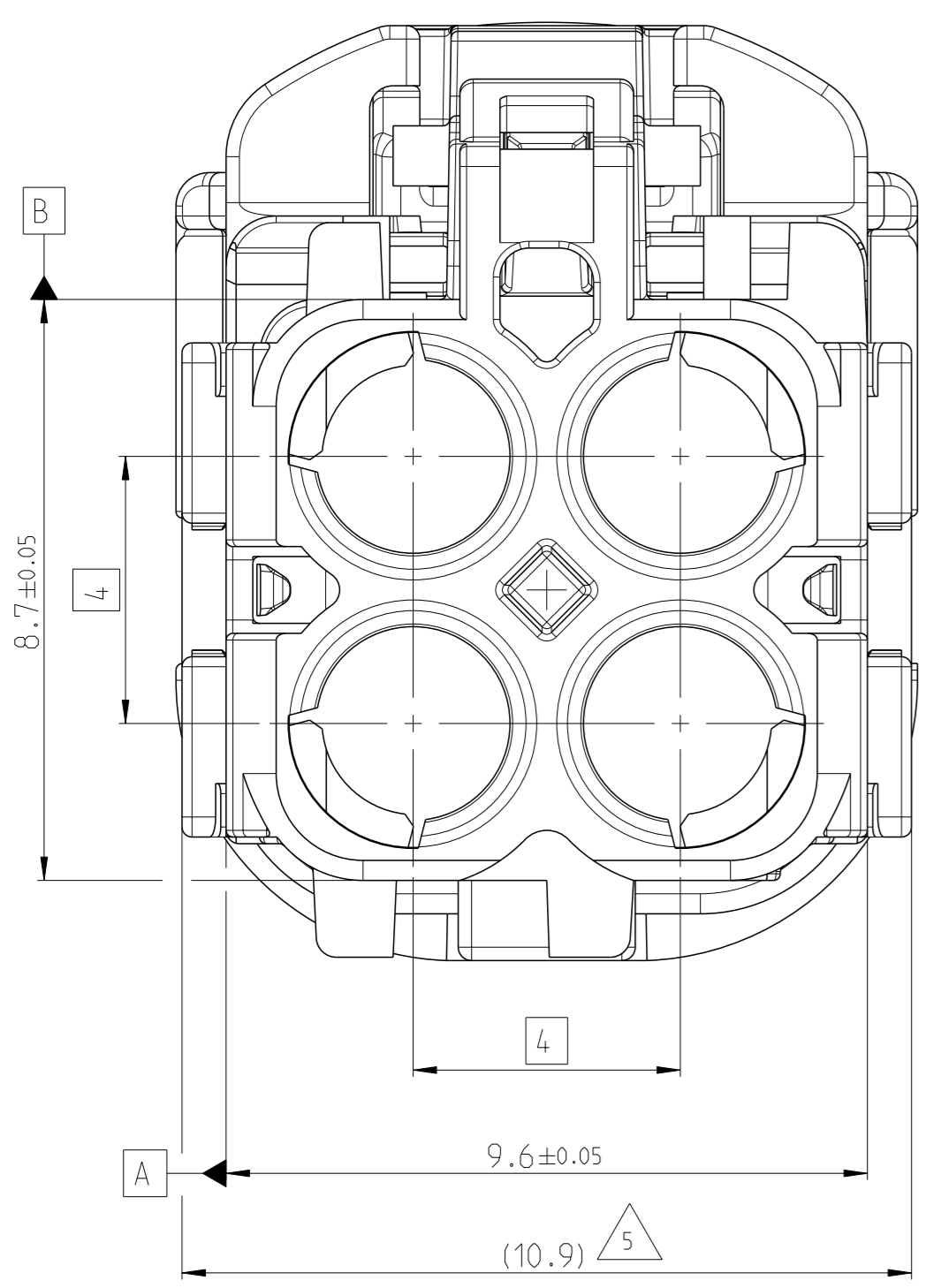
DIMENSIONS: mm TOLERANCES UNLESS OTHERWISE SPECIFIED:
 0 PLC ±0.2
 1 PLC ±0.2
 2 PLC ±0.2
 3 PLC ±0.2
 4 PLC ±0.2
 ANGLES FINISH ±°

MATERIAL: SEE TABLE
 FINISH: -
 WEIGHT: -
 CUSTOMER DRAWING

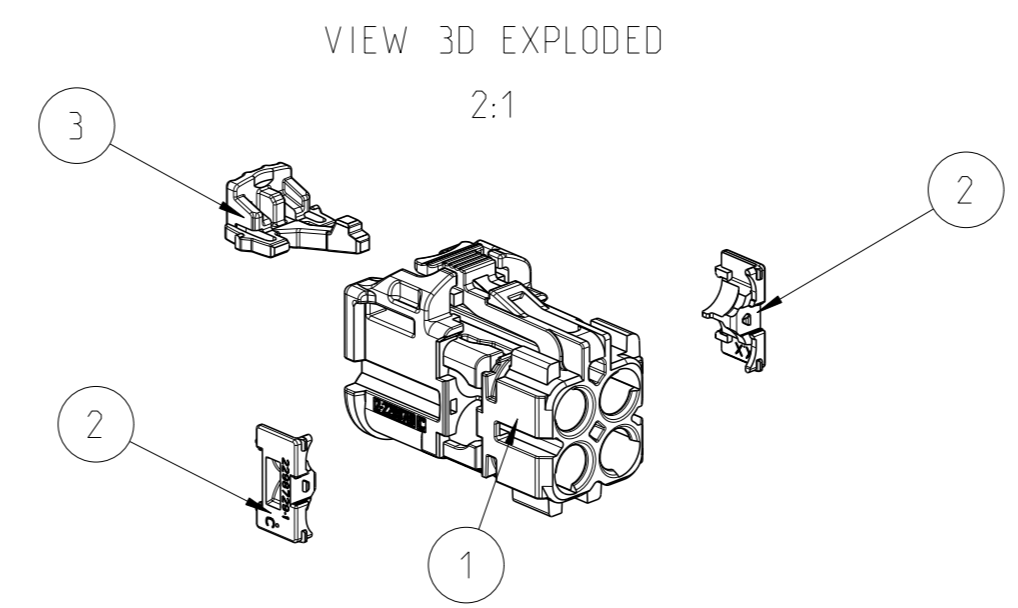
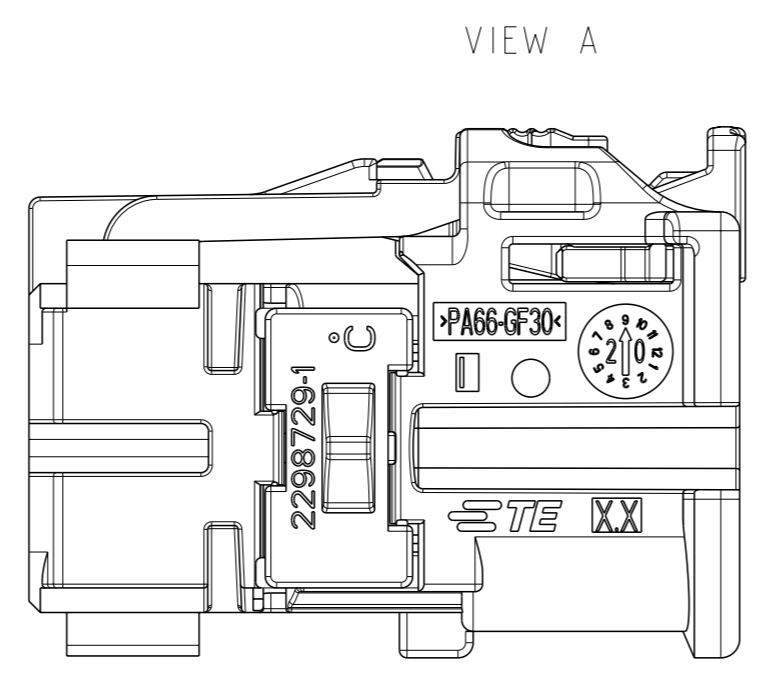
NAME: 4POS.MATE-AX.SOC HSG ASSY.180DEG
 4pol.MATE-AX.Buchsengeh Zsb.180Grad

SIZE: A1 CAGE CODE: - DRAWING NO: C=2298721 RESTRICTED TO: -
 SCALE: 10:1 SHEET: 2 OF 3 REV: C4

REVISIONS				
#	LY#	DESCRIPTION	DATE	APPV
-	-	SEE SHEET 1	-	-

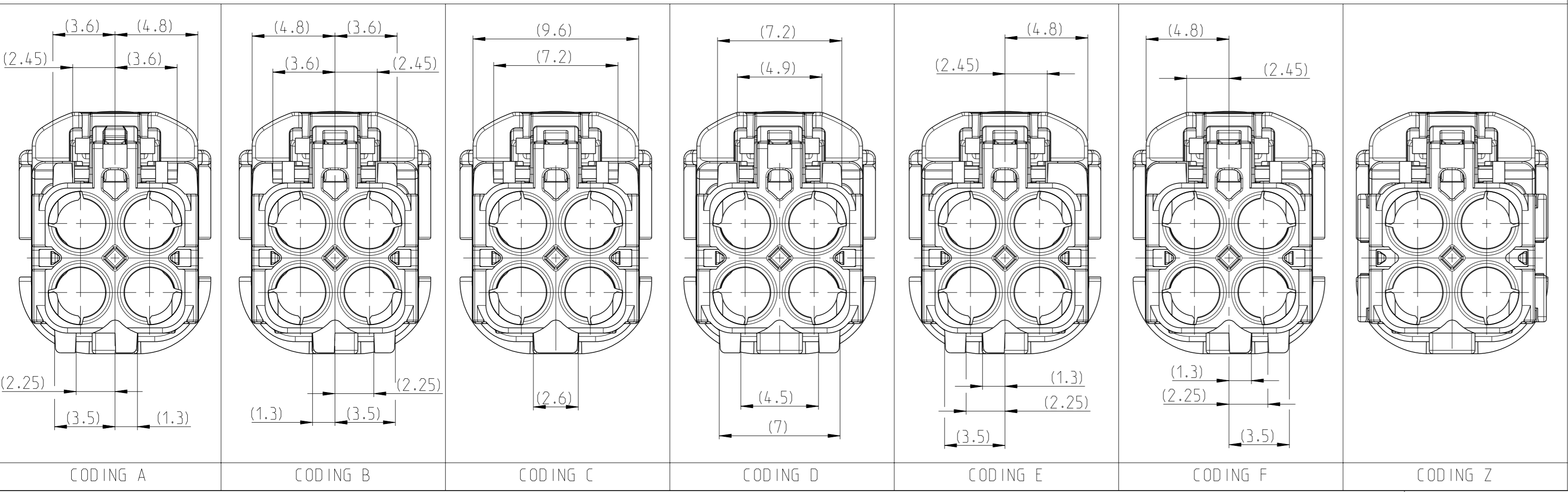


TE ORDER NO. 2-2298721-1 CODING A AS SHOWN
 TE-Bestellnummer 2-2298721-1 Kodierung A wie dargestellt



RETAINER IN FINAL LOCKING POSITION
 Sekundaersicherung in Endraststellung

CODING VIEW, PLUG SIDE, SIMILARITY AS
 Gehäuse, Steckseite, Darstellung der Kodierungen nur aehnlich
 VIEW 5:1



TE ORDER NO.	COD.	REV.	QTY.	DESCRIPTION	MATERIAL	COLOUR / SIMILAR RAL	WEIGHT (g)	POS.
2-2298721-9	Z	C	1	CPA	PA66-GF30	RED/3020	1.18	3
			2	RETAINER	PA66-GF30	TRAFFIC PURPLE / 4006		2
			1	HOUSING	PA66-GF30	WATER BLUE / 5021		1
2-2298721-6	F	C	1	CPA	PA66-GF30	RED/3020	1.18	3
			2	RETAINER	PA66-GF30	TRAFFIC PURPLE / 4006		2
			1	HOUSING	PA66-GF30	NUT BROWN / 8011		1
2-2298721-5	E	C	1	CPA	PA66-GF30	RED/3020	1.18	3
			2	RETAINER	PA66-GF30	TRAFFIC PURPLE / 4006		2
			1	HOUSING	PA66-GF30	MAY GREEN / 6017		1
2-2298721-4	D	C	1	CPA	PA66-GF30	RED/3020	1.18	3
			2	RETAINER	PA66-GF30	TRAFFIC PURPLE / 4006		2
			1	HOUSING	PA66-GF30	CLARET VIOLET / 4004		1
2-2298721-3	C	C	1	CPA	PA66-GF30	RED/3020	1.18	3
			2	RETAINER	PA66-GF30	TRAFFIC PURPLE / 4006		2
			1	HOUSING	PA66-GF30	LIGHT BLUE / 5012		1
2-2298721-2	B	C	1	CPA	PA66-GF30	RED/3020	1.18	3
			2	RETAINER	PA66-GF30	TRAFFIC PURPLE / 4006		2
			1	HOUSING	PA66-GF30	PURE WHITE / 9010		1
2-2298721-1	A	C	1	CPA	PA66-GF30	RED/3020	1.18	3
			2	RETAINER	PA66-GF30	TRAFFIC PURPLE / 4006		2
			1	HOUSING	PA66-GF30	JET BLACK / 9005		1

THIS DRAWING IS A CONTROLLED DOCUMENT.		OWN: G. van de Burch	03JCT2016
DIMENSIONS: mm		CHK: C. Schrettlinger	17OCT2016
TOLERANCES UNLESS OTHERWISE SPECIFIED:		APPV: W. Mueller	21OCT2016
0 PLC ±0.2		NAME: 4POS.MATE-AX.SOC HSG ASSY.180DEG	
2 PLC ±0.2		PRODUCT SPEC: 108-94.709	
3 PLC ±0.2		APPLICATION SPEC: 114-94.668	
4 PLC ±0.2		SIZE: A1	
ANGLES: ±0.1°		CAGE CODE: -	
FINISH: -		DRAWING NO: C=2298721	
MATERIAL: SEE TABLE		WEIGHT: -	
SEE TABLE		CUSTOMER DRAWING	
SCALE: 10:1		SHEET: 3 OF 3	REV: C4

X-ON Electronics

Largest Supplier of Electrical and Electronic Components

Click to view similar products for [Headers & Wire Housings](#) category:

Click to view products by [TE Connectivity](#) manufacturer:

Other Similar products are found below :

[892-18-020-10-001101](#) [58102-G61-06LF](#) [582553-1](#) [0009485154](#) [009176003701906](#) [0050291907](#) [LY20-4P-DT1-P1E-BR](#) [02.125.8002.8](#)
[609-3404](#) [61062-3](#) [61082-181009](#) [622-3653LF](#) [63453-116](#) [636-1030](#) [636-1427](#) [636-3427](#) [636-4007](#) [641938-9](#) [641991-4](#) [644827-2](#) [65817-](#)
[010LF](#) [65817-015LF](#) [65863-015LF](#) [66207-023LF](#) [67095-007LF](#) [67601157](#) [68645-018](#) [68648-049](#) [70.362.1628.0](#) [70-4210](#) [70-4226B](#) [70-](#)
[4853B](#) [707-5020](#) [707-5028](#) [71.350.2428.0](#) [71918-208LF](#) [71961-016LF](#) [733-134](#) [733-162](#) [754199-000](#) [760-3052](#) [787-8014-00](#) [79531-3000](#)
[FCN-360C032-B](#) [FCN-367T-T012/H](#) [FCN-723D010/2](#) [80.063.4001.1](#) [800-90-001-10-001000](#) [800-90-010-10-002000](#) [801-43-002-10-013000](#)