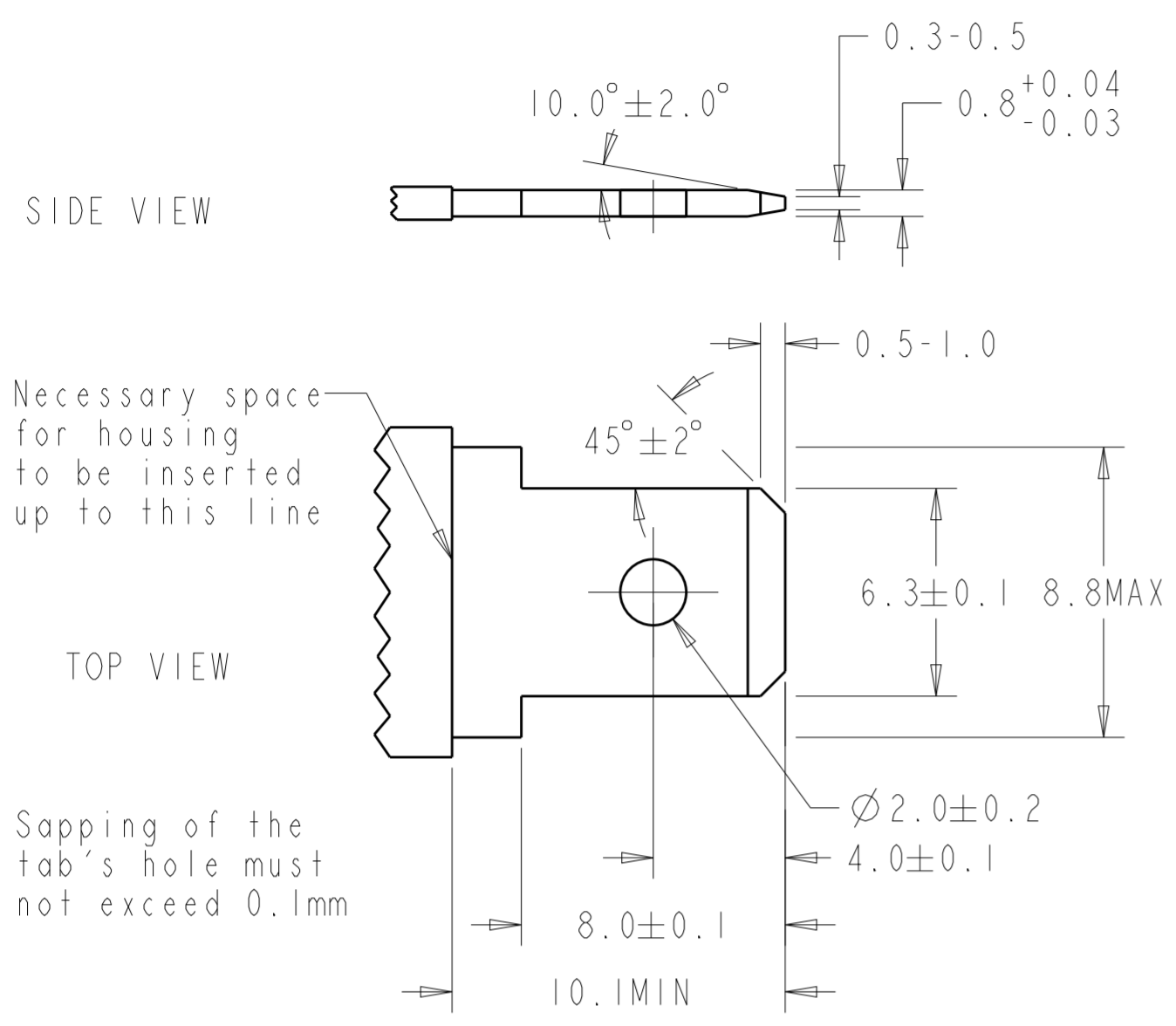


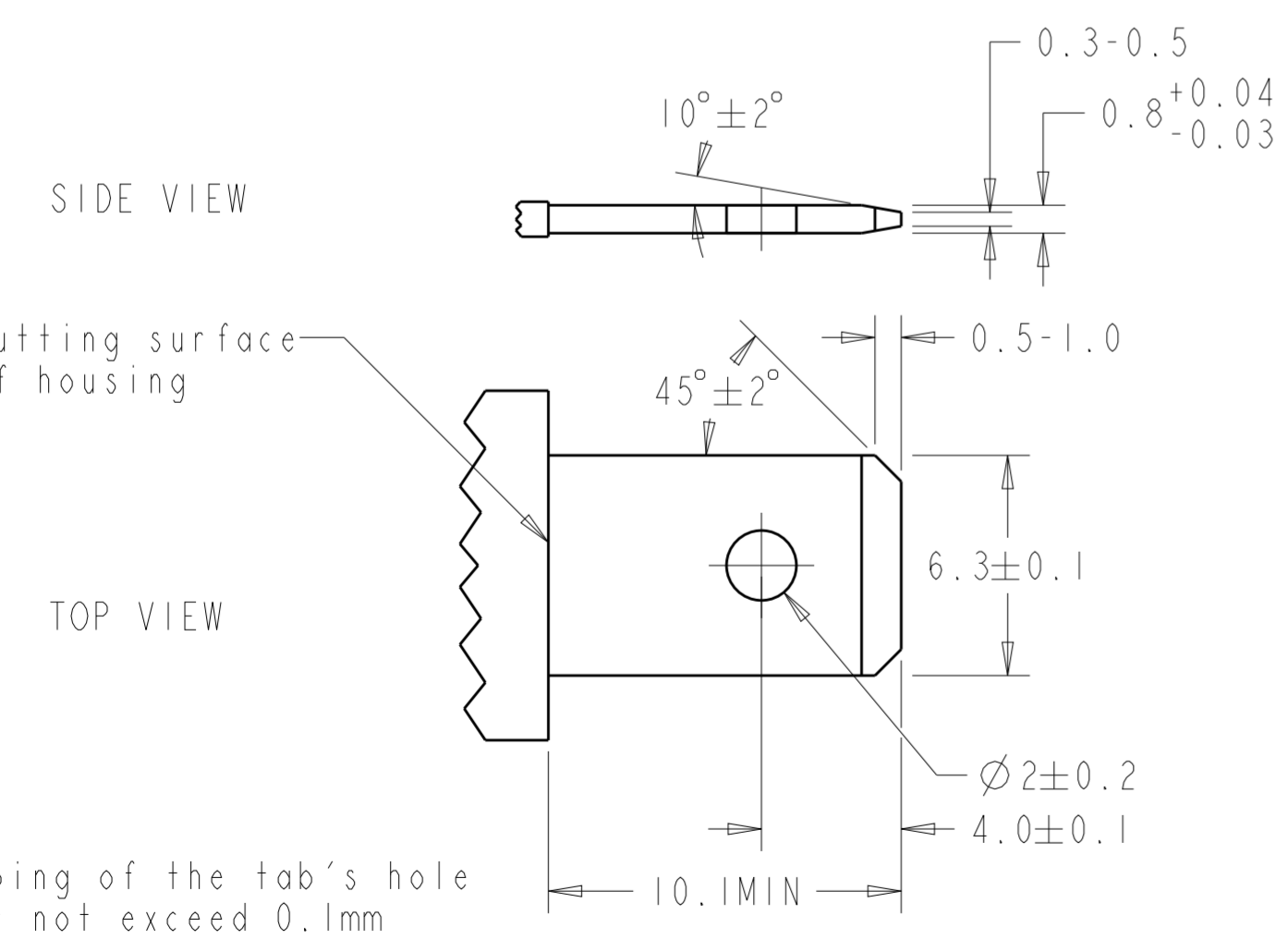
THIS DRAWING IS UNPUBLISHED. RELEASED FOR PUBLICATION 20
 © COPYRIGHT 20 BY - ALL RIGHTS RESERVED.

| REVISIONS | | | | | | |
|-----------|-----|---------------|---------|-----|------|--|
| P | LTR | DESCRIPTION | DATE | DWN | APVD | |
| A8 | | ECR-20-010317 | 22JUL20 | DT | EW | |

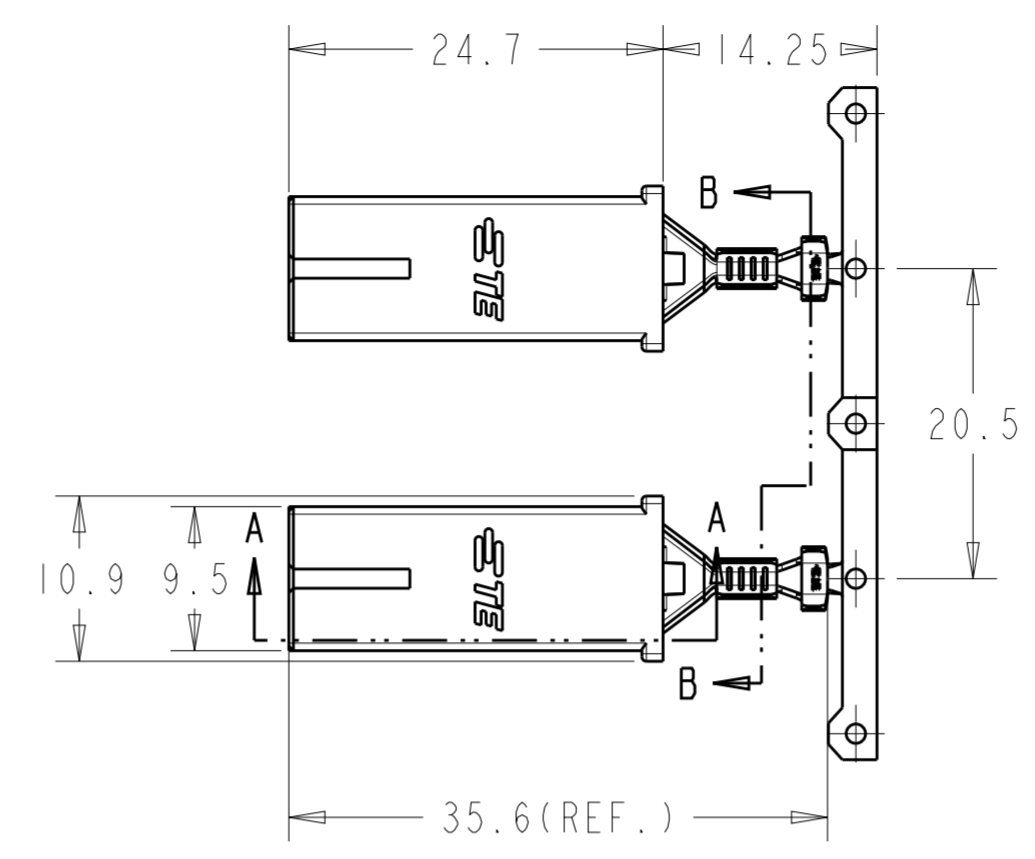
SUGGESTED MATING TAB



TYPE A (When using tab shoulder for butting)



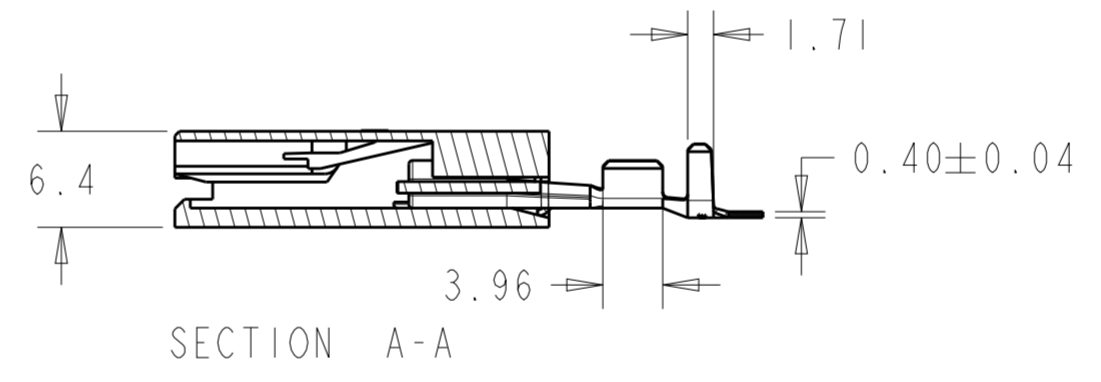
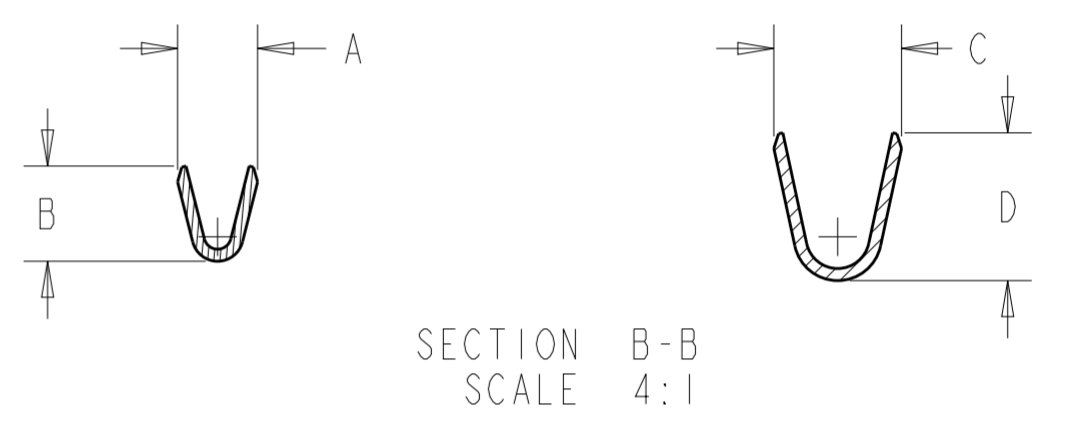
TYPE B (When using resin, etc. for butting)



NOTE:

1. HOUSING MATERIAL, NYLON 6/66, GLASS-FIBRE. UL94V-0.
2. GWT 750°C VERSION, ACCORDING TO IEC 60335-1.
3. CONTACT MATERIAL, TIN PLATED BRASS.

4. NEW PN WITH DIFFERENT PACKAGING QTY. AND SMALLER REELING SIZE (24in).



| | | | | | | | |
|---|---------|-------|---------|-------|----------------|----------------|-------------|
| 4 | 5.8REF. | 6.2 | 4.5REF. | 4.5 | 3.40-5.08 | 14-12 | 3-2299282-3 |
| 4 | 4.9REF. | 5.3 | 3.9REF. | 3.5 | 3.0-4.0 | 18-14 | 3-2299282-2 |
| 4 | 4.9REF. | 4.2 | 3.1REF. | 2.6 | 2.2-3.0 | 22-18 | 3-2299282-1 |
| | 5.8REF. | 6.2 | 4.5REF. | 4.5 | 3.40-5.08 | 14-12 | 2299282-3 |
| | 4.9REF. | 5.3 | 3.9REF. | 3.5 | 3.0-4.0 | 18-14 | 2299282-2 |
| | 4.9REF. | 4.2 | 3.1REF. | 2.6 | 2.2-3.0 | 22-18 | 2299282-1 |
| | DIM D | DIM C | DIM B | DIM A | INSULATION(mm) | WIRE SIZE(AWG) | P/N |

THIS DRAWING IS A CONTROLLED DOCUMENT.

| | | |
|------------------|-------------------------------|-----------|
| DWN | LEI.PAN | 14NOV2016 |
| CHK | TIM.DING | 14NOV2016 |
| APVD | TIM.DING | 14NOV2016 |
| PRODUCT SPEC | 108-106262 | |
| APPLICATION SPEC | 114-106262 | |
| WEIGHT | - | |
| CUSTOMER DRAWING | SCALE 5:1 SHEET 1 OF 1 REV A8 | |

STE TE Connectivity
 NAME: POD-LOK 250 STR.ASSY.
 SIZE: A2 CAGE CODE: - DRAWING NO: C-2299282 RESTRICTED TO: -

X-ON Electronics

Largest Supplier of Electrical and Electronic Components

Click to view similar products for [Terminals](#) category:

Click to view products by [TE Connectivity](#) manufacturer:

Other Similar products are found below :

[00-054007-01074-6](#) [00-054007-70206-1](#) [00-054007-70210-8](#) [00-054007-70217-7](#) [00-054007-70226-9](#) [00-054007-70228-3](#) [00-054007-70248-1](#) [00-054007-70256-6](#) [00-054007-70301-3](#) [00-054007-70316-7](#) [0-0320562-0](#) [00-054007-49560-4](#) [00-054007-70209-2](#) [00-054007-70225-2](#) [00-054007-70227-6](#) [00-054007-70231-3](#) [00-054007-70241-2](#) [00-054007-70242-9](#) [00-054007-70244-3](#) [00-054007-70246-7](#) [00-054007-70263-4](#) [00-054007-70288-7](#) [00-054007-70290-0](#) [00-054007-70300-6](#) [00-054007-70304-4](#) [01-2065-1-0216](#) [01-2900-1-04412](#) [00581P0075](#) [600TS-10](#) [60205-1](#) [604200-1](#) [605601-1](#) [60598-1-CUT-TAPE](#) [61314-6-C](#) [61810-3](#) [61-S](#) [61-SN](#) [626-0194](#) [62-NBM-A](#) [62-SN](#) [62-SP](#) [63-S](#) [640179-1](#) [M55155/059I03](#) [M55155/079C01](#) [M55155/099H02](#) [M55155/109H01](#) [M55155/109H02](#) [M55155/12XH05](#) [M55155/16XH02](#)