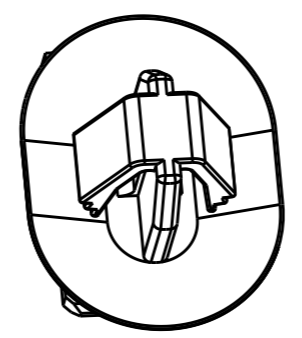
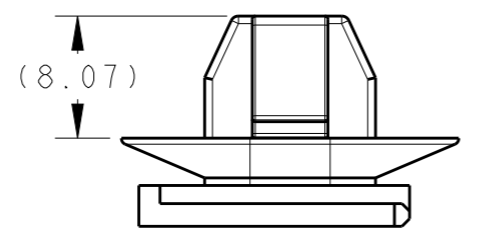
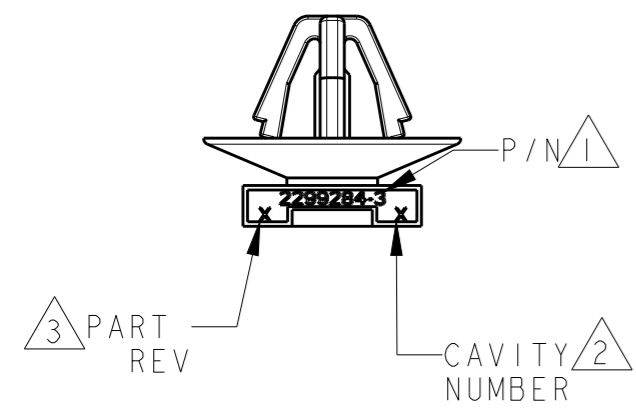


THIS DRAWING IS UNPUBLISHED. RELEASED FOR PUBLICATION 20
 © COPYRIGHT 20 BY - ALL RIGHTS RESERVED.

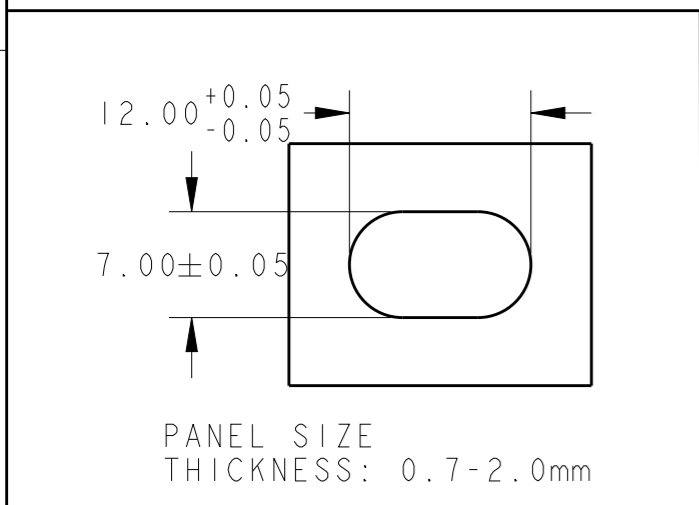
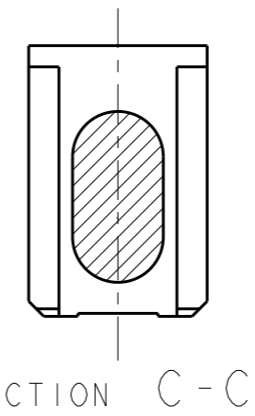
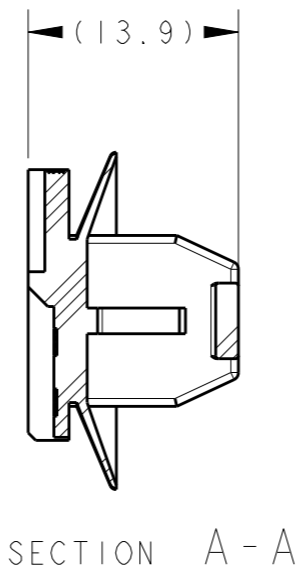
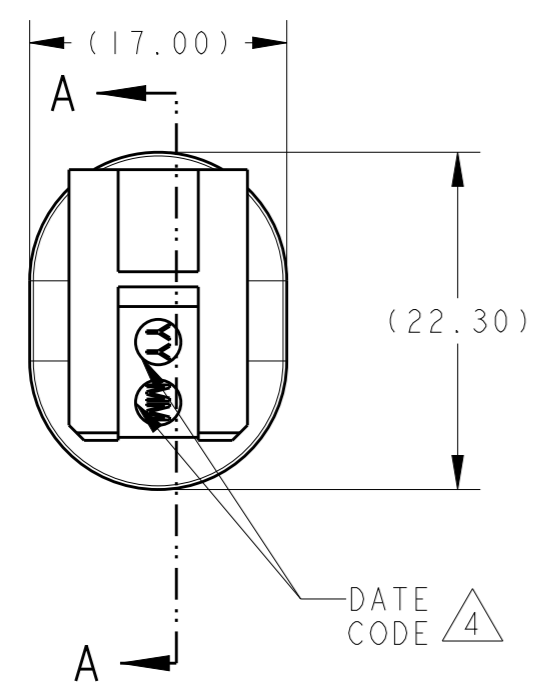
REVISIONS					
P	LTR	DESCRIPTION	DATE	DWN	APVD
	A1	ECR-16-017975	27DEC2016	A.D	I.Y
	-	-	-	-	-
	-	-	-	-	-
	-	-	-	-	-



NOTES:

- 1 TE PART NUMBER,
- 2 CAVITY NO, USE NUMBER 1, 2, 3....
- 3 PART REVE NO USE . A, B, C, D..
- 4 DATE CODE

- 5. MATERIAL: PA66, NO GLASS FIBER. COLOUR: BLACK.
- 6. FLASH/BURRS<=0.3mm PERMITTED.
- 7. ALL AREA WITHOUT DIMENSION CONSIDER TOLERANCE IS ±0.5.
- 8. REFERENCE 1-1897255-2



2299284-3	7x12 CLIP	BLACK	ITEM
PART NO	DESCRIPTION	COLOUR	

A1

THIS DRAWING IS A CONTROLLED DOCUMENT.		DWN A.DANG 27DEC2016	TE Connectivity	
DIMENSIONS: mm		CHK SY.WANG 27DEC2016		
TOLERANCES UNLESS OTHERWISE SPECIFIED:		APVD I.YIN 27DEC2016	NAME 7X12CLIP	
0 PLC ± 1 PLC ±0.1 2 PLC ±0.01 3 PLC ±0.001 4 PLC ±0.0001 ANGLES ±		PRODUCT SPEC 108-101512	RESTRICTED TO	
MATERIAL		APPLICATION SPEC	SIZE A3	CAGE CODE
FINISH		WEIGHT	DRAWING NO C-2299284	SCALE 2:1
		CUSTOMER DRAWING	SHEET 1 OF 2	REV A1

4

3

2

1

THIS DRAWING IS UNPUBLISHED.

RELEASED FOR PUBLICATION

20

© COPYRIGHT 20 BY -

ALL RIGHTS RESERVED.

REVISIONS

P	LTR	DESCRIPTION	DATE	DWN	APVD
	A	RELEASED	15MAR2016	R.P	SY.W
	AI	ECR-16-017975	27DEC2016	A.D	I.Y

(17.9)

(22.67)

8±0.05

15±0.05

PANEL HOLE DIMENSION:
PANEL THICKNESS: 1.0mm

NOTES:

- 1 MANUFACTURING DATE CODE EXCHANGEABLE.
- 2 TE LOGO
- 3 TE PART NUMBER.
- 4 MATERIAL IDENTIFIER
- 5 TOOLING CAVITY NO.
6. MATERIAL: PA66, NO GLASS FIBER. COLOUR: NATURE.
7. FLASH/BURRS<=0.3mm PERMITTED.
8. ALL AREA WITHOUT DIMENSION CONSIDER TOLERANCE IS ±0.50.

(16.10)

STE 2299284-4

2299284-4	8X15CLIP	NATURE	ITEM
PART NO	DESCRIPTION	COLOUR	

AI

THIS DRAWING IS A CONTROLLED DOCUMENT.

DIMENSIONS:	TOLERANCES UNLESS OTHERWISE SPECIFIED:
mm	Ø PLC ±
	1 PLC ±0.1
	2 PLC ±0.01
	3 PLC ±0.001
	4 PLC ±0.0001
	ANGLES ±
MATERIAL	FINISH
-	-
-	-

DWN	R.PAN	15MAR2016
CHK	A.DANG	15MAR2016
APVD	SY.WANG	15MAR2016
PRODUCT SPEC	108-101512	
APPLICATION SPEC	-	
WEIGHT	-	
CUSTOMER DRAWING		

		TE Connectivity	
		NAME	
8 X 15 CLIP		RESTRICTED TO	
SIZE	CAGE CODE	DRAWING NO	
A3	-	©-2299284	
SCALE		SHEET	REV
3:1		2 OF 2	AI

1470-19 (3/13)

X-ON Electronics

Largest Supplier of Electrical and Electronic Components

Click to view similar products for [RF Connector Accessories](#) category:

Click to view products by [TE Connectivity](#) manufacturer:

Other Similar products are found below :

[89674-0712](#) [FERRULE-174](#) [R141802000](#) [R141842000](#) [R141862000W](#) [R280907000](#) [AX102907](#) [HP-500](#) [2098-3251-94](#) [KA-81-02](#) [KA-81-05](#) [KN-89-12](#) [89674-0805](#) [FERRULE-223](#) [202102-11](#) [R280468000](#) [R280510000](#) [RFI155-1](#) [RFI25-12-D3](#) [RFI25-4-D2](#) [RFI75-12-D2](#) [RFI97-14](#) [360HS001M2508M6](#) [4-1532137-4](#) [HRM-514S\(40\)](#) [5-21085-0](#) [111062-0490](#) [112122-SOD-LUG](#) [IPP-2014](#) [RFI95-14-D2](#) [1736-1511-075](#) [RFI75-2-D3](#) [RFI25-3-D3](#) [R280469010](#) [RFI85-4](#) [896110450](#) [660-024M09S5-01](#) [1403137-1](#) [360HB001M2512H](#) [360HS001M1716M3](#) [380HS115M2508H3](#) [380HS001M1716M4](#) [FERRULE-316DB](#) [105274-2000](#) [73415-1970](#) [R280755050W](#) [52014041A](#) [R447120000](#) [BNC-JCAP\(01\)](#) [415CPB-239-50F](#)