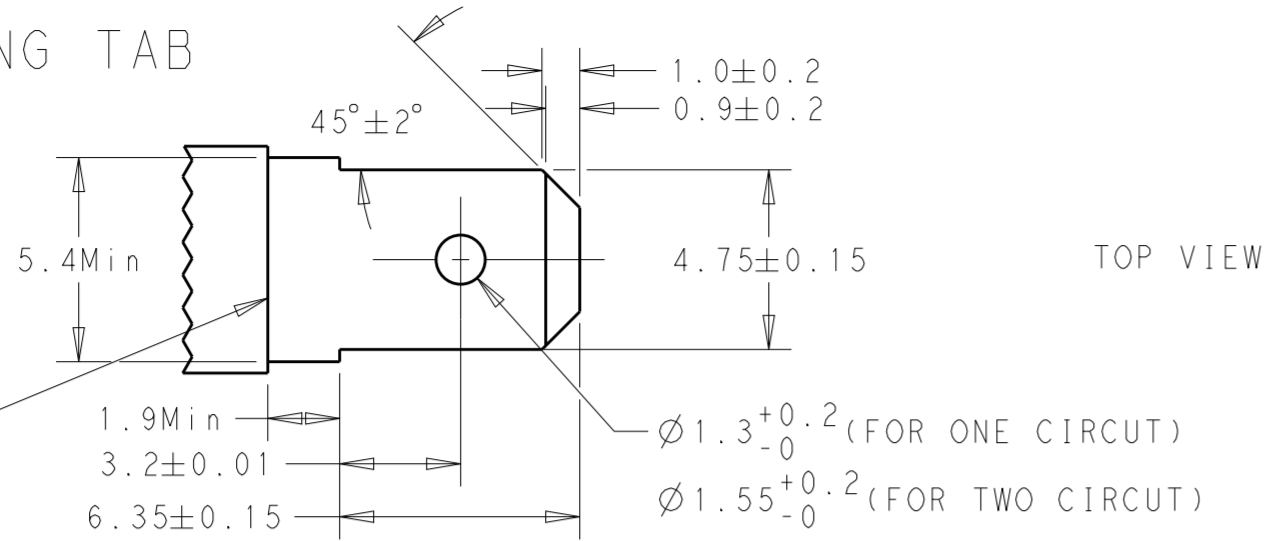


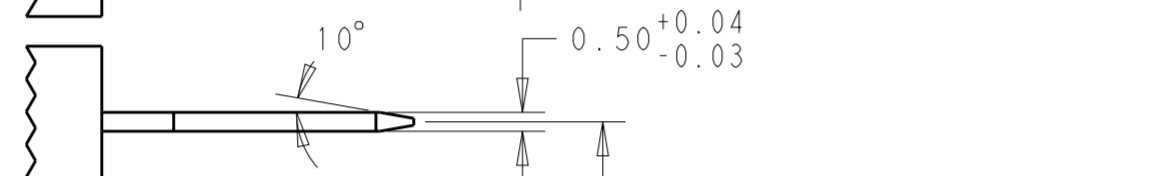
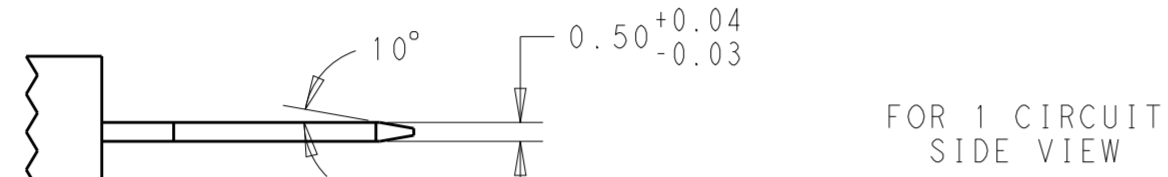
THIS DRAWING IS UNPUBLISHED. RELEASED FOR PUBLICATION 20  
 © COPYRIGHT 20 BY - ALL RIGHTS RESERVED.

REVISIONS					
P	LTR	DESCRIPTION	DATE	DWN	APVD
A8		ECR-20-010317	22JUL20	DT	EW

SUGGESTED MATING TAB

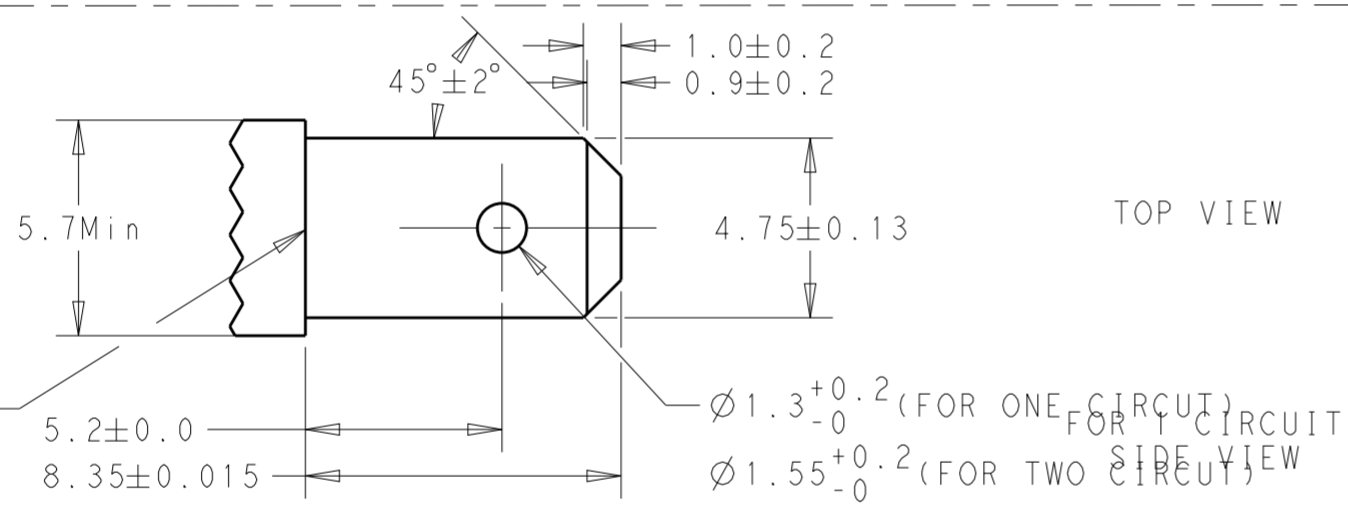


Necessary space for housing to be inserted up to this line

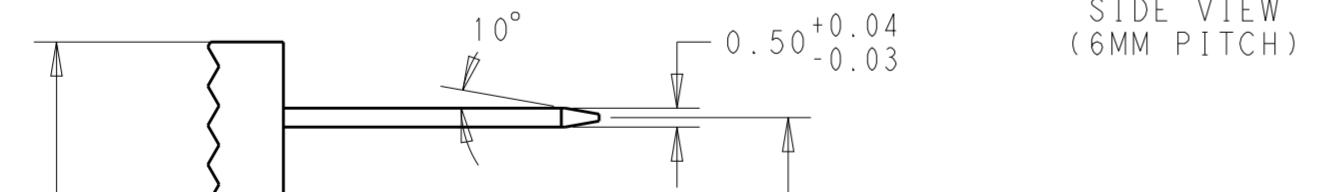
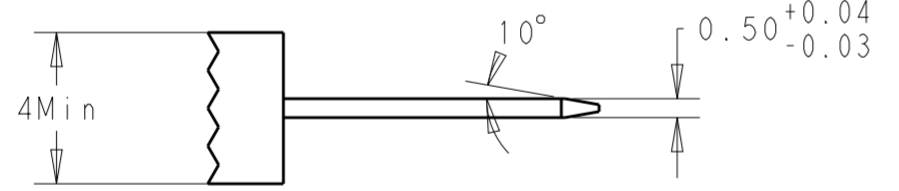


Shapping of the tab's hole must not exceed 0.08mm

TYPE A (When using tab shoulder for butting)



Butting surface of housing

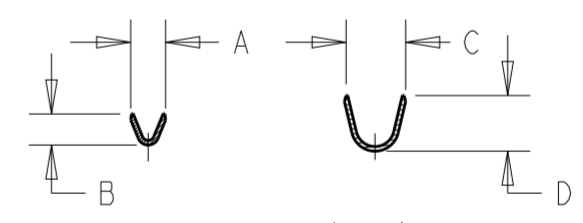
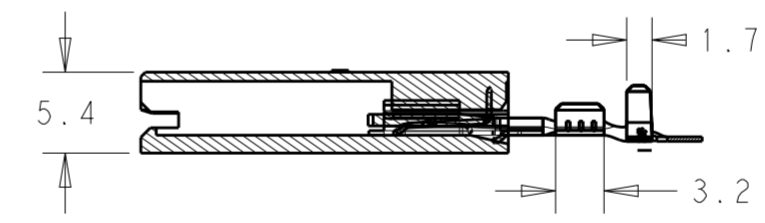
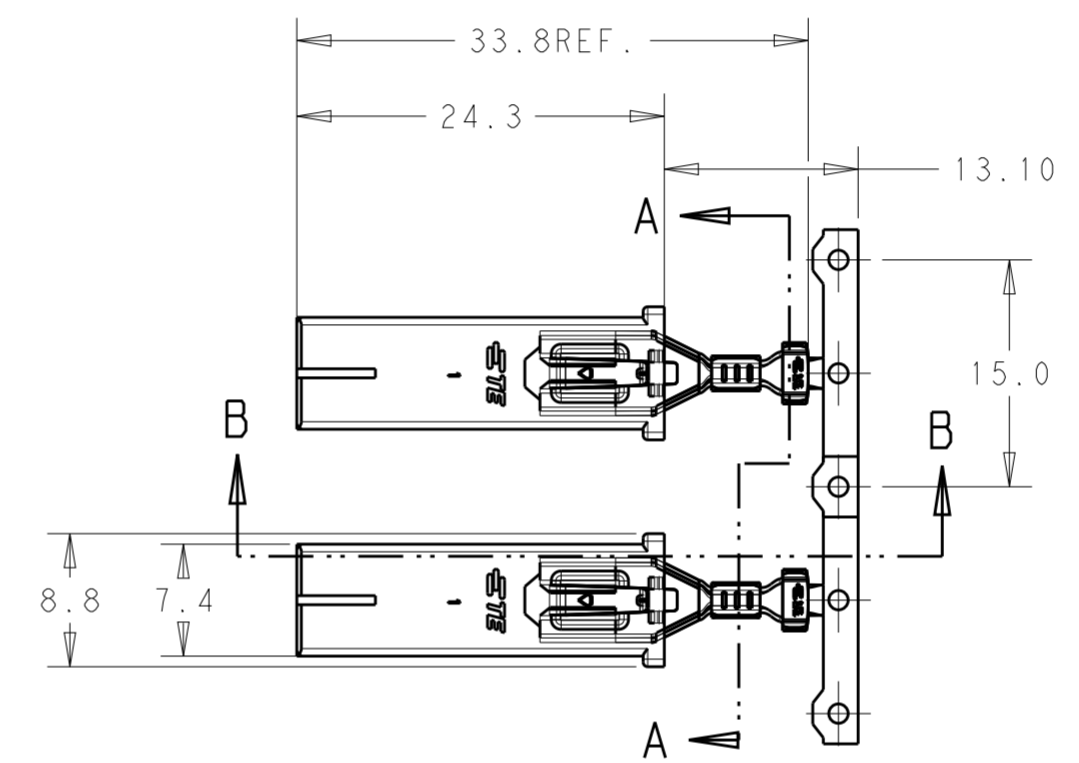


Shapping of the tab's hole must not exceed 0.08mm

TYPE B (When using resin, etc. for butting)

NOTE:

1. HOUSING MATERIAL, NYLON 6/66, GLASS-FIBRE. UL94V-0.
  2. GWT 750°C VERSION ACCORDING TO ICE 60335-1.
  3. CONTACT MATERIAL, TIN PLATED BRASS.
- △ NEW PART NUMBER WITH DIFFERENT PACKAGING QTY. AND SMALLER REELING SIZE (24in).



4.5 REF.	4.6	3.2 REF.	3.0	2.29-3.30	20-16	3-2299286-2
3.4 REF.	4.1	2.1 REF.	2.3	1.52-2.79	24-20	3-2299286-1
4.5 REF.	4.6	3.2 REF.	3.0	2.29-3.30	20-16	2299286-2
3.4 REF.	4.1	2.1 REF.	2.3	1.52-2.79	24-20	2299286-1
DIM D	DIM C	DIM B	DIM A	INSULATION (MM)	WIRE SIZE (AWG)	P/N

THIS DRAWING IS A CONTROLLED DOCUMENT.

DIMENSIONS: mm	TOLERANCES UNLESS OTHERWISE SPECIFIED:	DWN LEI PAN 08FEB2017	 TE Connectivity
	0 PLC ±	CHK TIM DING 08FEB2017	
	1 PLC ±0.3	APVD TIM DING 08FEB2017	
	2 PLC ±0.25	PRODUCT SPEC 108-106262	
MATERIAL	FINISH	APPL. SPEC 114-106262	NAME POD-LOK 187 STR. ASSY.
		WEIGHT	SIZE A2
		CUSTOMER DRAWING	CAGE CODE -
			DRAWING NO. C-2299286
			RESTRICTED TO -
			SCALE 2:1 SHEET 1 OF 1 REV A8

## X-ON Electronics

Largest Supplier of Electrical and Electronic Components

*Click to view similar products for [Terminals](#) category:*

*Click to view products by [TE Connectivity](#) manufacturer:*

Other Similar products are found below :

[00-054007-01074-6](#) [00-054007-70206-1](#) [00-054007-70210-8](#) [00-054007-70217-7](#) [00-054007-70226-9](#) [00-054007-70228-3](#) [00-054007-70248-1](#) [00-054007-70256-6](#) [00-054007-70301-3](#) [00-054007-70316-7](#) [0-0320562-0](#) [00-054007-49560-4](#) [00-054007-70209-2](#) [00-054007-70225-2](#) [00-054007-70227-6](#) [00-054007-70231-3](#) [00-054007-70241-2](#) [00-054007-70242-9](#) [00-054007-70244-3](#) [00-054007-70246-7](#) [00-054007-70263-4](#) [00-054007-70288-7](#) [00-054007-70290-0](#) [00-054007-70300-6](#) [00-054007-70304-4](#) [01-2065-1-0216](#) [01-2900-1-04412](#) [00581P0075](#) [600TS-10](#) [60205-1](#) [604200-1](#) [605601-1](#) [60598-1-CUT-TAPE](#) [61314-6-C](#) [61810-3](#) [61-S](#) [61-SN](#) [626-0194](#) [62-NBM-A](#) [62-SN](#) [62-SP](#) [63-S](#) [640179-1](#) [M55155/059I03](#) [M55155/079C01](#) [M55155/099H02](#) [M55155/109H01](#) [M55155/109H02](#) [M55155/12XH05](#) [M55155/16XH02](#)