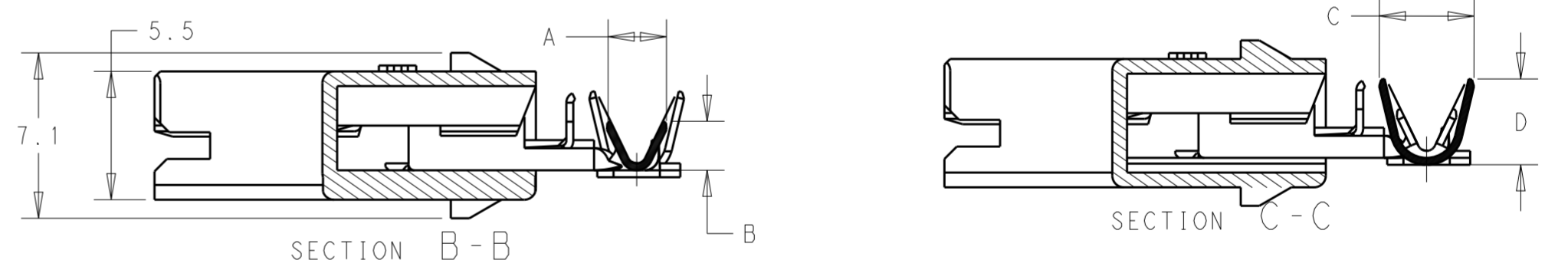
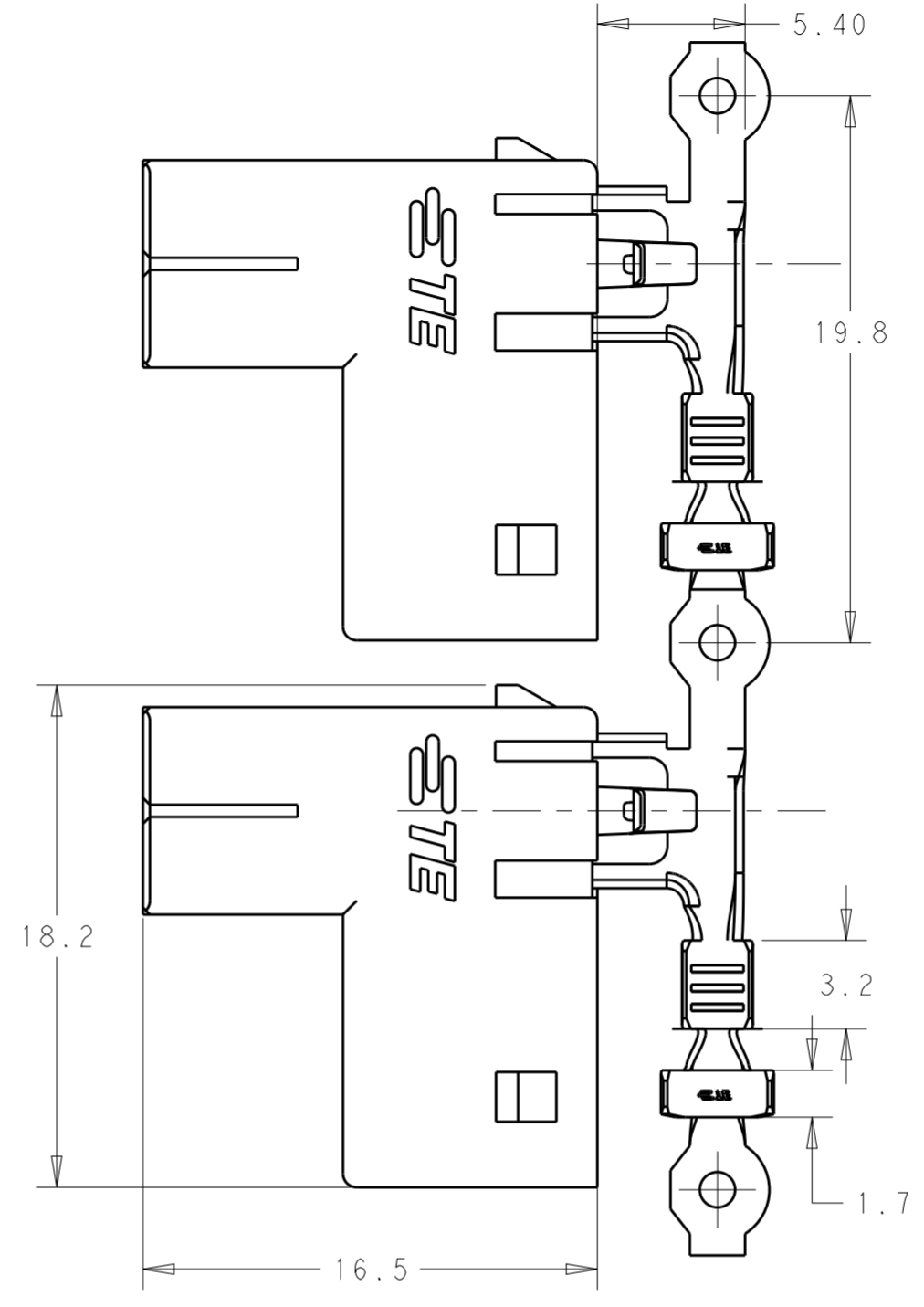
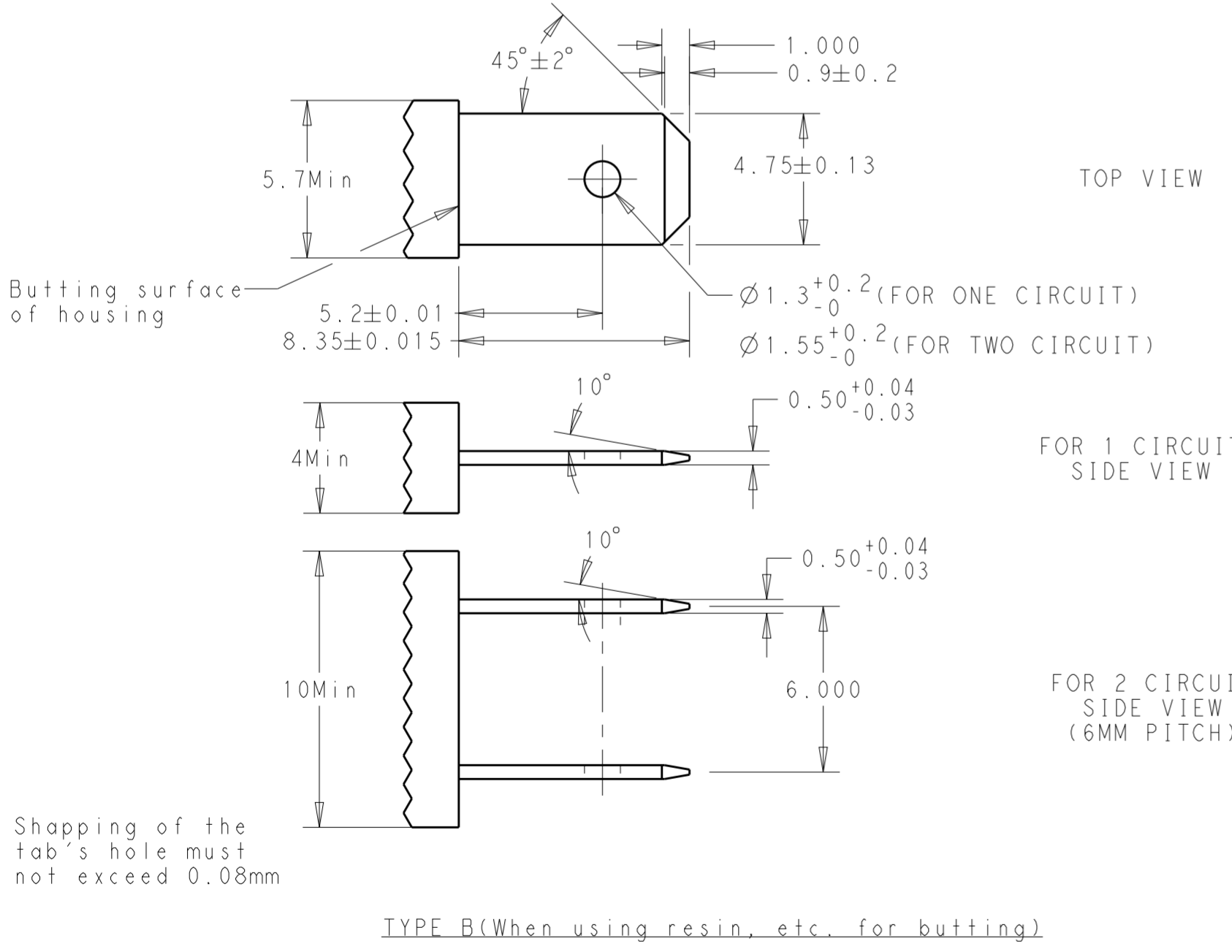
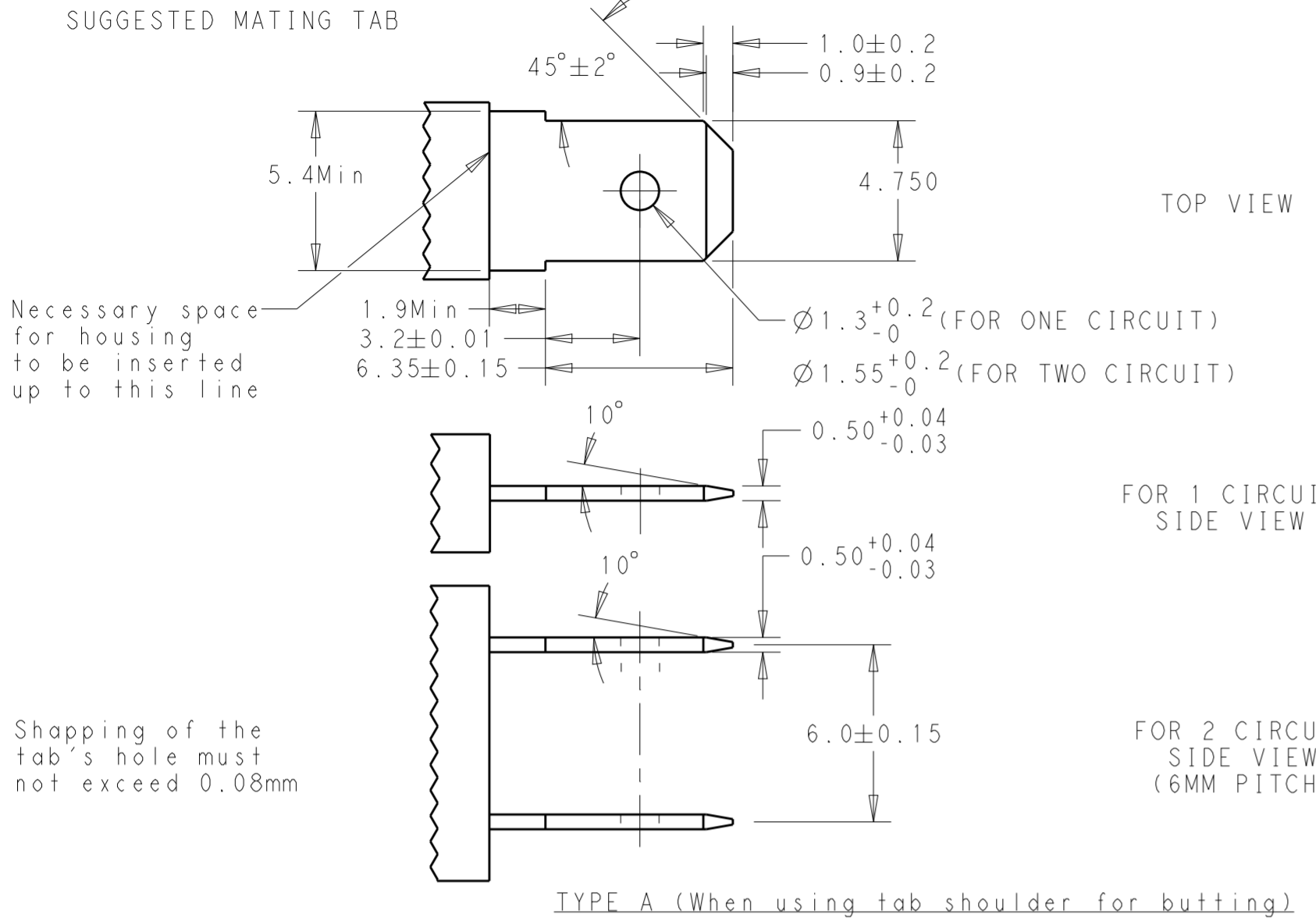


THIS DRAWING IS UNPUBLISHED. RELEASED FOR PUBLICATION 20  
 © COPYRIGHT 20 BY - ALL RIGHTS RESERVED.

REVISIONS						
P	LTR	DESCRIPTION	DATE	DWN	APVD	
A7		ECR-20-010317	22JUL20	DT	EW	



NOTE:

1. HOUSING MATERIAL, NYLON 6/66, GLASS-FIBRE, UL94V-0.
2. GWT 750°C VERSION ACCORDING TO IEC 60335-1.
3. CONTACT MATERIAL, TIN PLATED BRASS.
4. NEW PN WITH DIFFERENT PACKAGING QTY AND SMALLER REELING SIZE (24in).

4.5 REF.	4.6	3.2 REF.	3.0	2.29-3.30	20-16	3-2299287-2
3.7 REF.	4.0	2.1 REF.	2.3	1.52-2.79	24-20	3-2299287-1
4.5 REF.	4.6	3.2 REF.	3.0	2.29-3.30	20-16	2299287-2
3.7 REF.	4.0	2.1 REF.	2.3	1.52-2.79	24-20	2299287-1
DIM D	DIM C	DIM B	DIM A	INSULATION (MM)	WIRE SIZE (AWG)	P/N

THIS DRAWING IS A CONTROLLED DOCUMENT.

DIMENSIONS:	TOLERANCES UNLESS OTHERWISE SPECIFIED:	DWN	08FEB2017	TE Connectivity
mm	0 PLC ±	CHK	LEI PAN 08FEB2017	
	1 PLC ±0.3	APVD	TIM DING 08FEB2017	
	2 PLC ±0.25	APVD	TIM DING 08FEB2017	
	3 PLC ±	PRODUCT SPEC	108-106262	NAME
	4 PLC ±	APPLICATION SPEC	114-106262	POD-LOK 187 FLAG ASSY.
MATERIAL	FINISH	WEIGHT	-	SIZE
-	-	-	-	A2
CUSTOMER DRAWING			SCALE	DRAWING NO
			4:1	C-2299287
			SHEET	RESTRICTED TO
			1 OF 1	-
			REV	A7

## X-ON Electronics

Largest Supplier of Electrical and Electronic Components

*Click to view similar products for [Terminals](#) category:*

*Click to view products by [TE Connectivity](#) manufacturer:*

Other Similar products are found below :

[00-054007-01074-6](#) [00-054007-70206-1](#) [00-054007-70210-8](#) [00-054007-70217-7](#) [00-054007-70226-9](#) [00-054007-70228-3](#) [00-054007-70248-1](#) [00-054007-70256-6](#) [00-054007-70301-3](#) [00-054007-70316-7](#) [00-054007-49560-4](#) [00-054007-70209-2](#) [00-054007-70225-2](#) [00-054007-70227-6](#) [00-054007-70231-3](#) [00-054007-70241-2](#) [00-054007-70242-9](#) [00-054007-70244-3](#) [00-054007-70246-7](#) [00-054007-70263-4](#) [00-054007-70288-7](#) [00-054007-70290-0](#) [00-054007-70300-6](#) [00-054007-70304-4](#) [01-2065-1-0216](#) [01-2900-1-04412](#) [00581P0075](#) [600TS-10](#) [60205-1](#) [604200-1](#) [605601-1](#) [60598-1-CUT-TAPE](#) [61314-6-C](#) [61810-3](#) [61-S](#) [61-SN](#) [626-0194](#) [62-NBM-A](#) [62-SN](#) [62-SP](#) [63-S](#) [640179-1](#) [M55155/059I03](#) [M55155/079C01](#) [M55155/099H02](#) [M55155/109H01](#) [M55155/109H02](#) [M55155/12XH05](#) [M55155/16XH02](#) [M55155/29-5S](#)