

THIS DRAWING IS UNPUBLISHED.

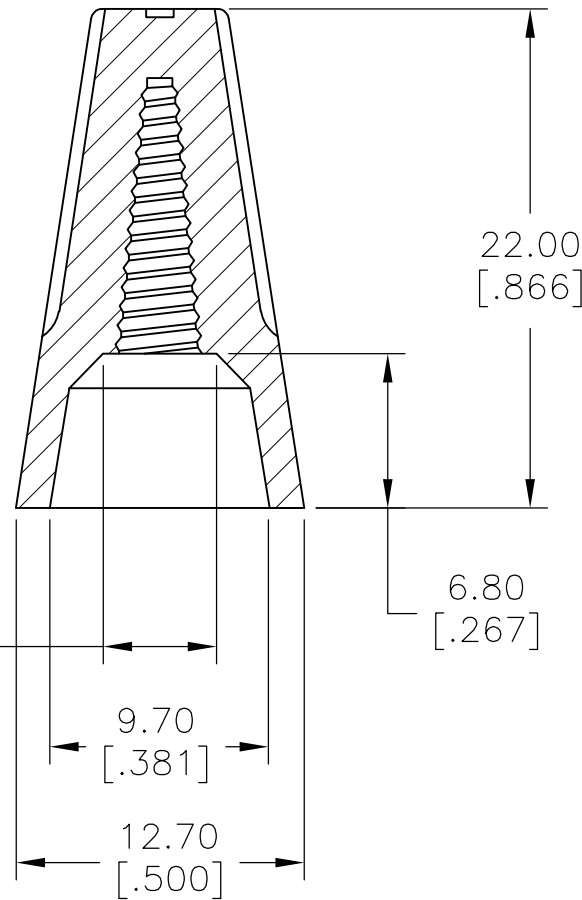
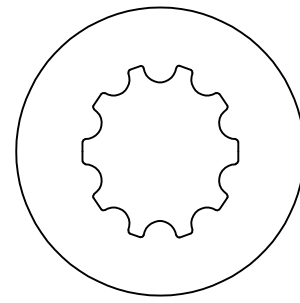
RELEASED FOR PUBLICATION

ALL RIGHTS RESERVED.

© COPYRIGHT - By -


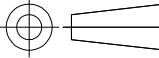
REVISIONS

| P | LTR | DESCRIPTION | DATE | DWN | APVD |
|---|-----|-------------|-----------|-----|------|
| | A | NEW DRAWING | 22JAN2016 | NK | RH |



- 1 WORKING TEMPERATURE: 105° C
- 2 VOLTAGE: 300V/600V MAX
- 3 COLOR: ORANGE
- 4 WIRE RANGE: #22-#14AWG MAX.4#16
W/1#20 MIN.1#18 W/1#20
- 5 SPRING INSERT: STEEL

2299503-1 AS SHOWN

| | | | | | | |
|---|--|-----------------------------------|--|-----------------|--------------------|-------------------------|
| THIS DRAWING IS A CONTROLLED DOCUMENT. | | DWN NAGALAKSHMI K 22JAN2016 |  TE Connectivity | | | |
| DIMENSIONS: mm [INCHES] | | CHK HILL RYAN 22JAN2016 | | | | |
| TOLERANCES UNLESS OTHERWISE SPECIFIED: | | APVD HILL RYAN 22JAN2016 | NAME | | | |
|  | | PRODUCT SPEC | CPGI-WC-WG-OR-BULK | | | |
| 0 PLC ± - 1 PLC ± 0.2[.007] 2 PLC ± 0.4[.015] 3 PLC ± - 4 PLC ± - ANGLES ± - | | APPLICATION SPEC | RESTRICTED TO | | | |
| MATERIAL TOUGH THERMOPLASTIC UL 94V-2 FLAME-RETARDANT | | FINISH - | WEIGHT - | SIZE A3 | CAGE CODE 00779 | DRAWING NO C-2299503 |
| CUSTOMER DRAWING | | | SCALE 3:1 | SHEET 1 OF 1 | REV A | |

X-ON Electronics

Largest Supplier of Electrical and Electronic Components

Click to view similar products for [Terminals](#) category:

Click to view products by [TE Connectivity](#) manufacturer:

Other Similar products are found below :

[00-054007-01074-6](#) [00-054007-70206-1](#) [00-054007-70210-8](#) [00-054007-70217-7](#) [00-054007-70226-9](#) [00-054007-70228-3](#) [00-054007-70248-1](#) [00-054007-70256-6](#) [00-054007-70301-3](#) [00-054007-70316-7](#) [0-0320562-0](#) [00-054007-49560-4](#) [00-054007-70209-2](#) [00-054007-70225-2](#) [00-054007-70227-6](#) [00-054007-70231-3](#) [00-054007-70241-2](#) [00-054007-70242-9](#) [00-054007-70244-3](#) [00-054007-70246-7](#) [00-054007-70263-4](#) [00-054007-70288-7](#) [00-054007-70290-0](#) [00-054007-70300-6](#) [00-054007-70304-4](#) [01-2065-1-0216](#) [01-2900-1-04412](#) [00581P0075](#) [600TS-10](#) [60205-1](#) [604200-1](#) [605601-1](#) [60598-1-CUT-TAPE](#) [61314-6-C](#) [61810-3](#) [61-S](#) [61-SN](#) [626-0194](#) [62-NBM-A](#) [62-SN](#) [62-SP](#) [63-S](#) [640179-1](#) [M55155/059I03](#) [M55155/079C01](#) [M55155/099H02](#) [M55155/109H01](#) [M55155/109H02](#) [M55155/12XH05](#) [M55155/16XH02](#)