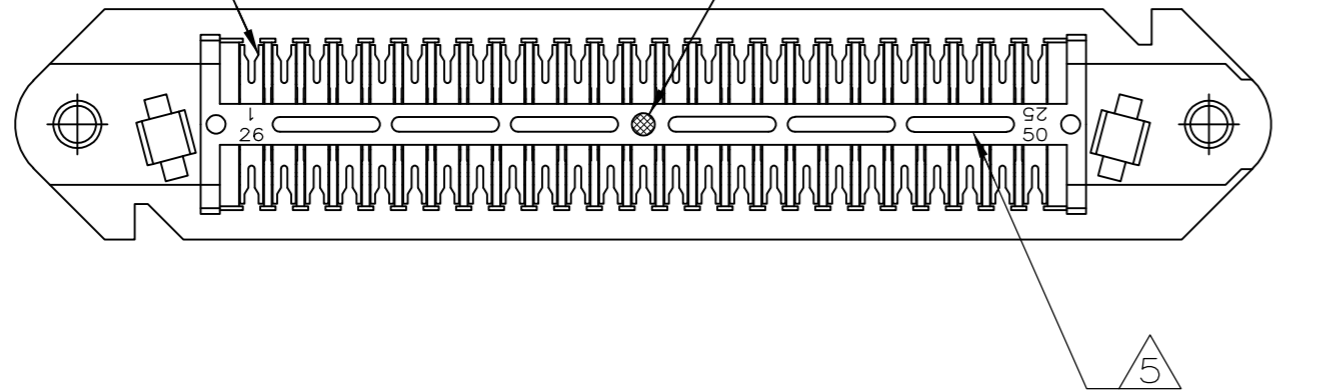


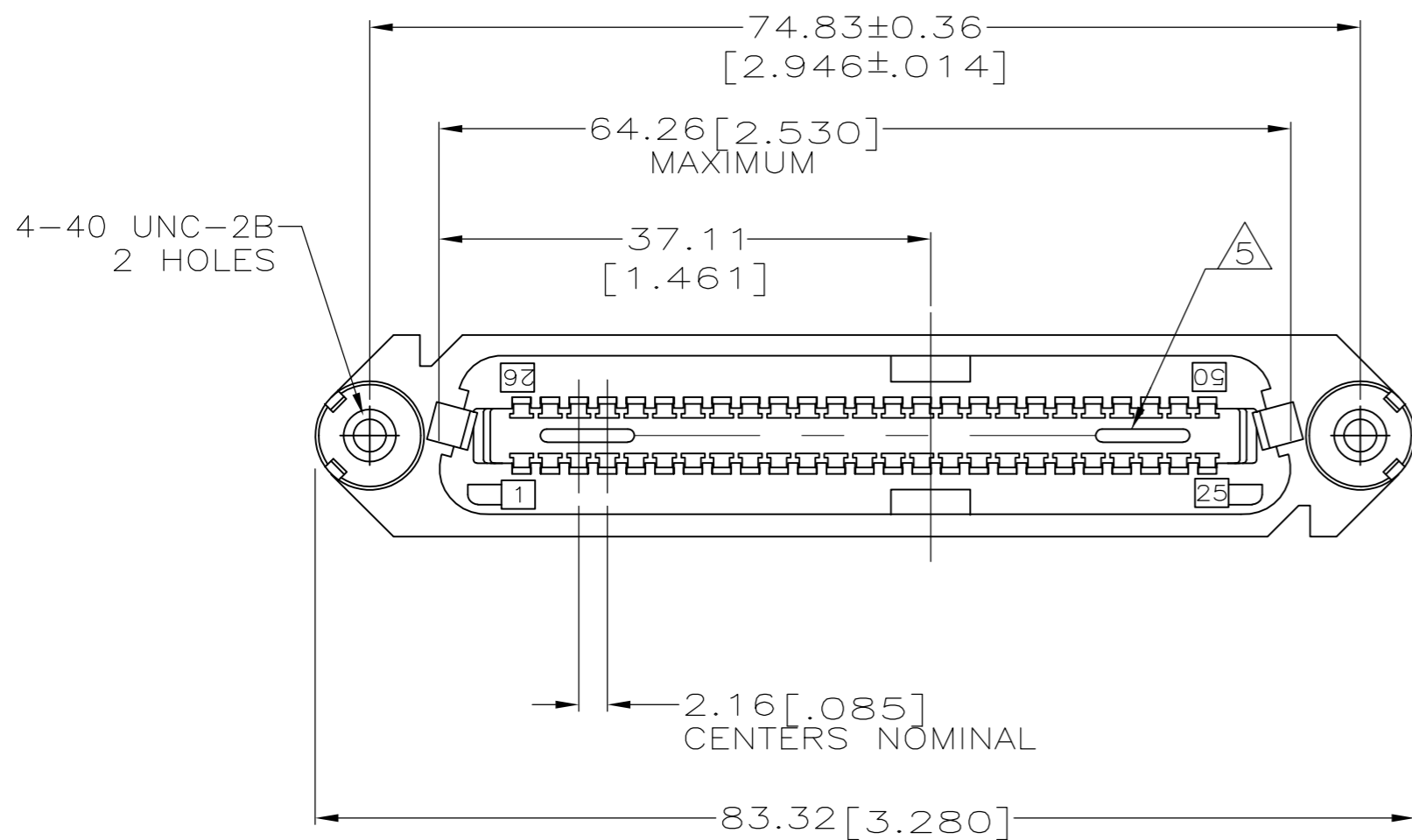
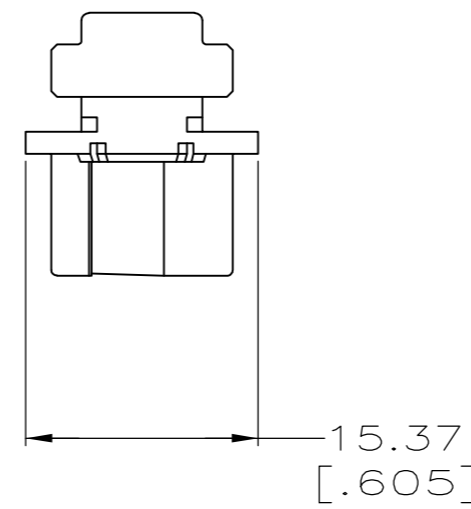
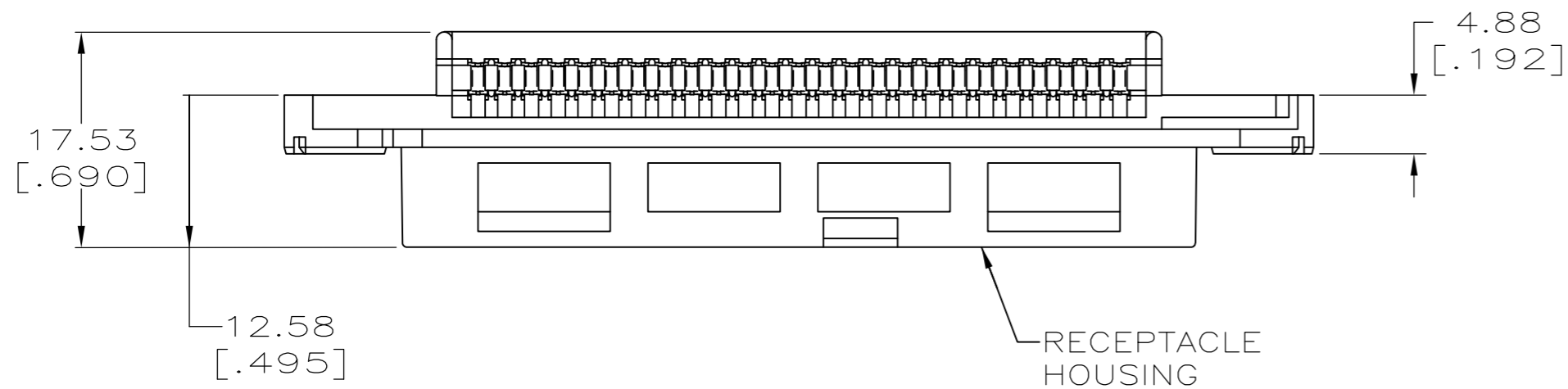
THIS DRAWING IS UNPUBLISHED. RELEASED FOR PUBLICATION  
 © COPYRIGHT - By - ALL RIGHTS RESERVED.

LOC		DIST		REVISIONS			
P	LTR	DESCRIPTION		DATE	DWN	APVD	
GO	00	R1	REVISED PER ECO-11-005140	25MAR11	RK	HMR	

TERMINAL QUANTITY 50  
 BLUE COLOR DOT LOCATED IN CENTER



1. THE CONTACT SURFACES OF THE TERMINALS ARE COATED WITH LUBRICANT.
2. ALL DIMENSIONS ARE MAXIMUM UNLESS OTHERWISE SPECIFIED.
3. MATERIAL: HOUSING - THERMOPLASTIC.  
 TERMINAL - HIGH STRENGTH COPPER ALLOY PLATED WITH 0.76µm [.000030] MIN GOLD OR GOLD FLASH OVER PALLADIUM NICKEL PLATE, 0.76µm [.000030] MIN TOTAL ON MATING SURFACE, OVER 1.27µm [.000050] MIN NICKEL PLATING.
4. WIRE SIZE: 24 & 26 AWG SOLID OR 24 AWG 7 STRANDS OF COPPER CONDUCTORS. MAXIMUM INSULATION DIAMETER OF 1.14[.045] IS ACCEPTABLE FOR MOST APPLICATIONS.
5. CORING MAY OR MAY NOT APPEAR AND IS AT THE DISCRETION OF AMP INCORPORATED.



GRAY	229975-4
BLACK	229975-1
COLOR	PART NUMBER

THIS DRAWING IS A CONTROLLED DOCUMENT.		DWN S. DOSS 12 FEB 80																					
DIMENSIONS: mm [INCHES]		CHK V.E. SLACK 14 FEB 80																					
TOLERANCES UNLESS OTHERWISE SPECIFIED:		APVD B. WARD 14 FEB 80																					
<table border="1"> <tr><td>0 PLC</td><td>± -</td><td></td></tr> <tr><td>1 PLC</td><td>± -</td><td></td></tr> <tr><td>2 PLC</td><td>± -</td><td>2</td></tr> <tr><td>3 PLC</td><td>± -</td><td></td></tr> <tr><td>4 PLC</td><td>± -</td><td></td></tr> <tr><td>ANGLES</td><td>± -</td><td></td></tr> <tr><td>FINISH</td><td></td><td>3</td></tr> </table>		0 PLC			± -		1 PLC	± -		2 PLC	± -	2	3 PLC	± -		4 PLC	± -		ANGLES	± -		FINISH	
0 PLC	± -																						
1 PLC	± -																						
2 PLC	± -	2																					
3 PLC	± -																						
4 PLC	± -																						
ANGLES	± -																						
FINISH		3																					
MATERIAL		PRODUCT SPEC	RECEPTACLE ASSEMBLY, 50 POSITION, B-SLOT, WITH 4-40 HOLES, CHAMP-LOK®																				
		APPLICATION SPEC	SIZE A2																				
		WEIGHT -	CAGE CODE 00779																				
		CUSTOMER DRAWING	DRAWING NO C=229975																				
			RESTRICTED TO -																				
			SCALE 2:1 SHEET 1 OF 1 REV R1																				

## X-ON Electronics

Largest Supplier of Electrical and Electronic Components

*Click to view similar products for [Barrier Terminal Blocks](#) category:*

*Click to view products by [TE Connectivity](#) manufacturer:*

Other Similar products are found below :

[CR151D20104](#) [670A-RZ-15-KT20](#) [6C1N03](#) [6PCR-02](#) [6PCR-02-008](#) [6PCR-05-008](#) [6PCR-08-008](#) [6PCR-09-008](#) [6PCR-13-006](#) [6PCR-15-006](#) [6PCR-21-006](#) [6PCV-06-008](#) [6PCV-06-716](#) [6PCV-09-001](#) [6PCV-10-009](#) [6PCV-15-008](#) [6PCV-17-1206](#) [6PCV-20-323](#) [6PCV-30-006](#) [6STR-06-006](#) [6STR-08-006](#) [6STR-12-008](#) [6STR-13-006](#) [6STR-14-008](#) [6STR-16-008](#) [6STR-17-008](#) [6STR-21-008](#) [6STR-25-008](#) [6STR-27-008](#) [6STV-03-006](#) [6STV-03-008](#) [6STV-04-006](#) [6STV-09-006](#) [6STV-10-006](#) [6WWR-03-693](#) [6WWV-12-008](#) [6WWV-16-008](#) [72212603](#) [72504-C-50](#) [72506-C](#) [72507-C-50](#) [73203](#) [75505-C](#) [75505-C-50](#) [75510-C](#) [77010-50](#) [7C1N08](#) [812-GP-3/4ST-09](#) [8-1437402-5](#) [8-1437402-7](#)