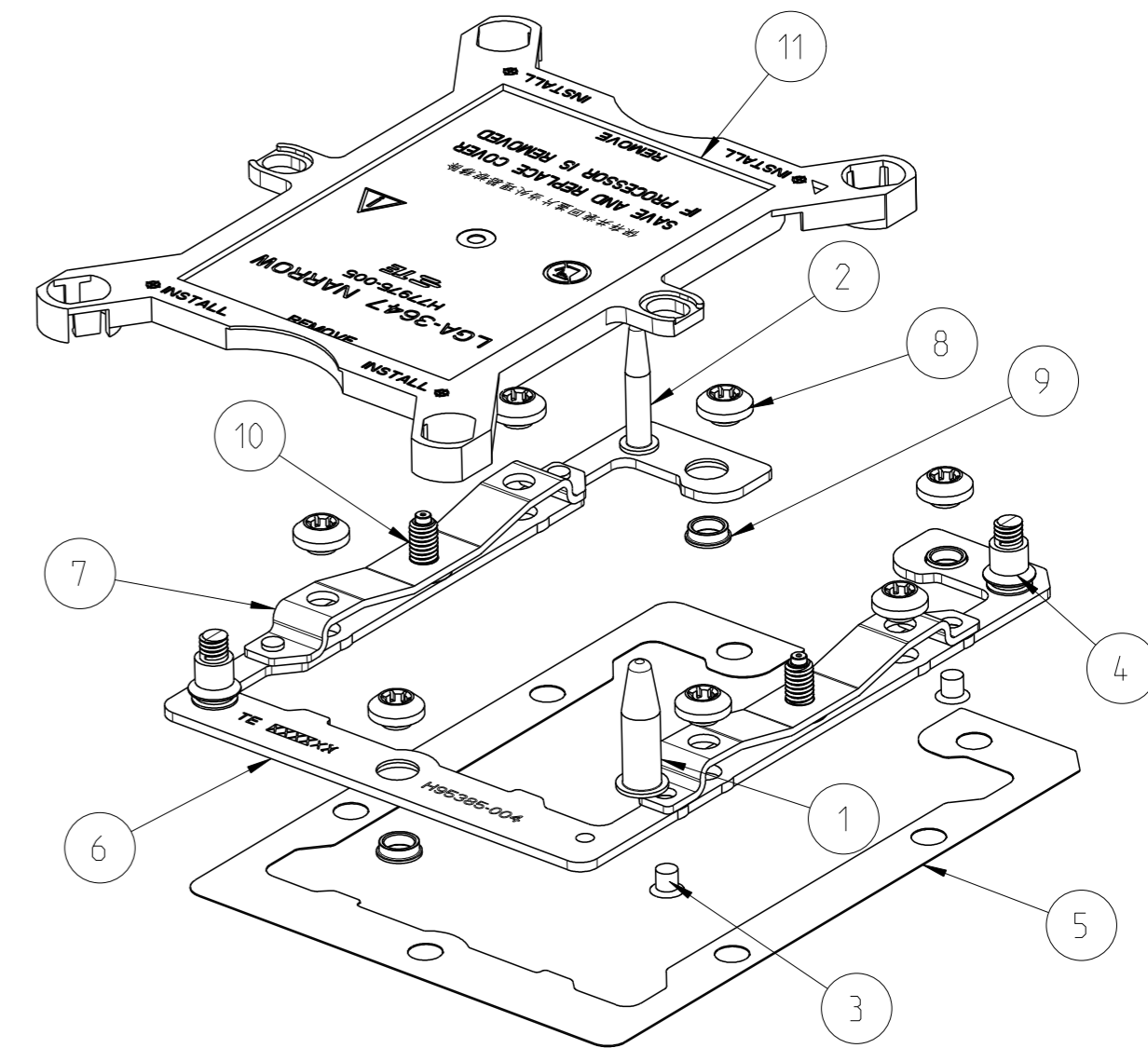
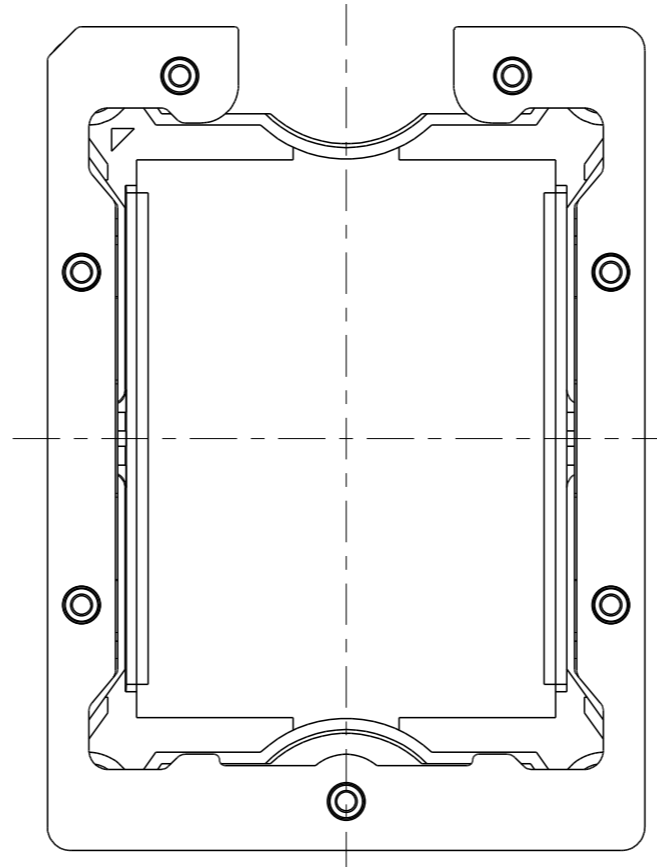
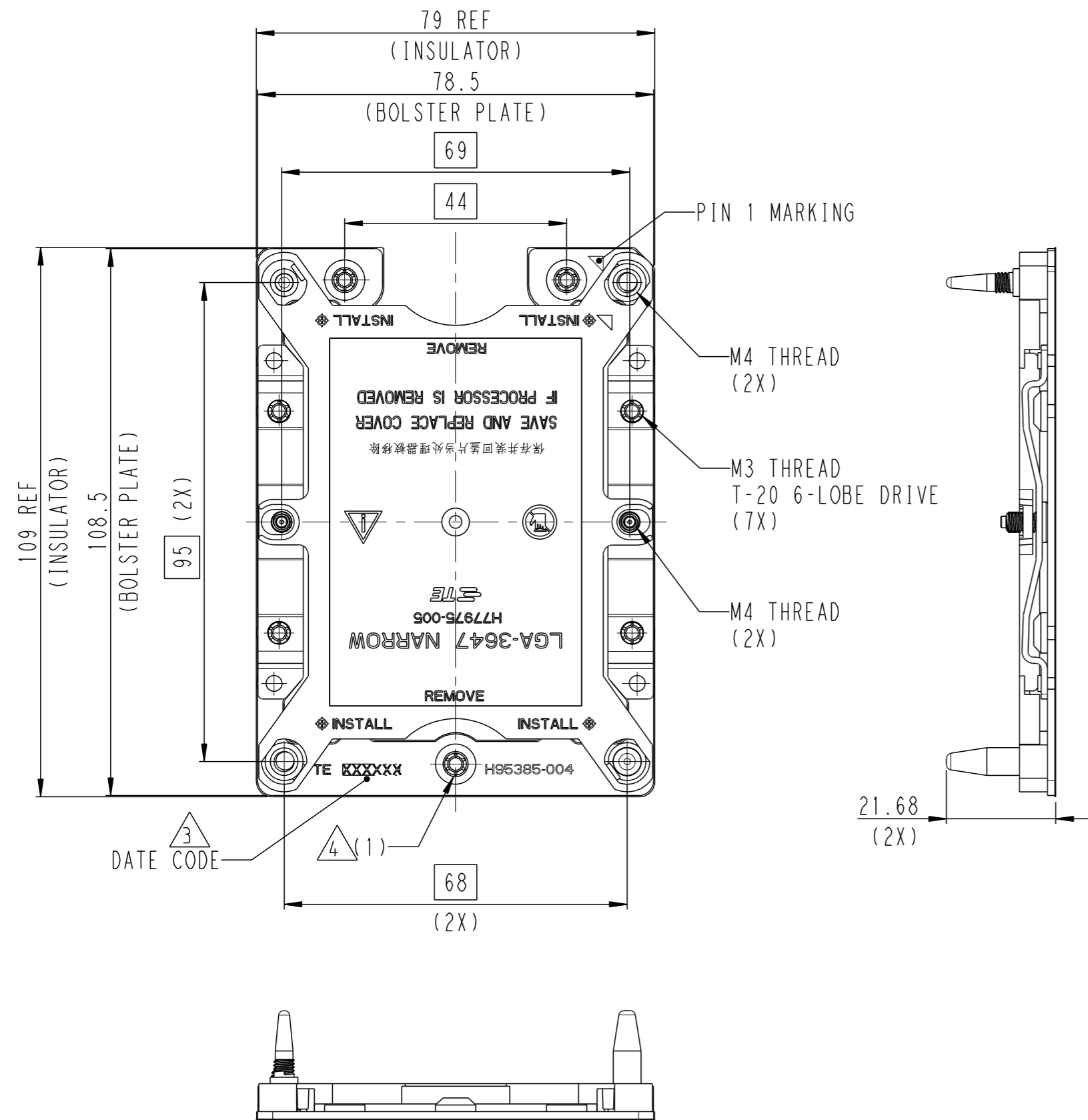


THIS DRAWING IS UNPUBLISHED. RELEASED FOR PUBLICATION  
 © COPYRIGHT copyright\_date - ALL RIGHTS RESERVED.

REVISIONS				
P	LTR	DESCRIPTION	DATE	DWN APVD
	A2	REVISED	29MAR17	J.W C.W



P/N: 2299804-1 AS SHOW  
(NRW-NF TYPE WITH COVER)

NOTES:

1. MATERIAL:

- ① BOLSTER LARGE GUIDE POST: STAINLESS STEEL
- ② BOLSTER SMALL GUIDE POST: STAINLESS STEEL
- ③ SKT-P-KNL, SPRING RIVET: STAINLESS STEEL
- ④ SKX BOLSTER CORNER STANDOFF: STAINLESS STEEL
- ⑤ SKX NRW NON FABRIC BOLSTER INSULATOR:  
-POLYCARBONATE FILM PLUS ACRYLIC ADHESIVE LAYER
- ⑥ SKX NRW NON FABRIC BOLSTER PLATE: STAINLESS STEEL
- ⑦ SKX-EP NRW SPRING: STAINLESS STEEL
- ⑧ SOCKET P M3 BOLSTER CAPTIVE NUT: CARBON STEEL, NICKEL PLATING
- ⑨ SOCKET P M3 BOLSTER CAPTIVE NUT COLLAR: CARBON STEEL, NICKEL PLATING
- ⑩ SKT-EP SPRING STUD: STAINLESS STEEL
- ⑪ NRW DUST COVER: THERMO-PLASTIC, UL94V-0, BLACK

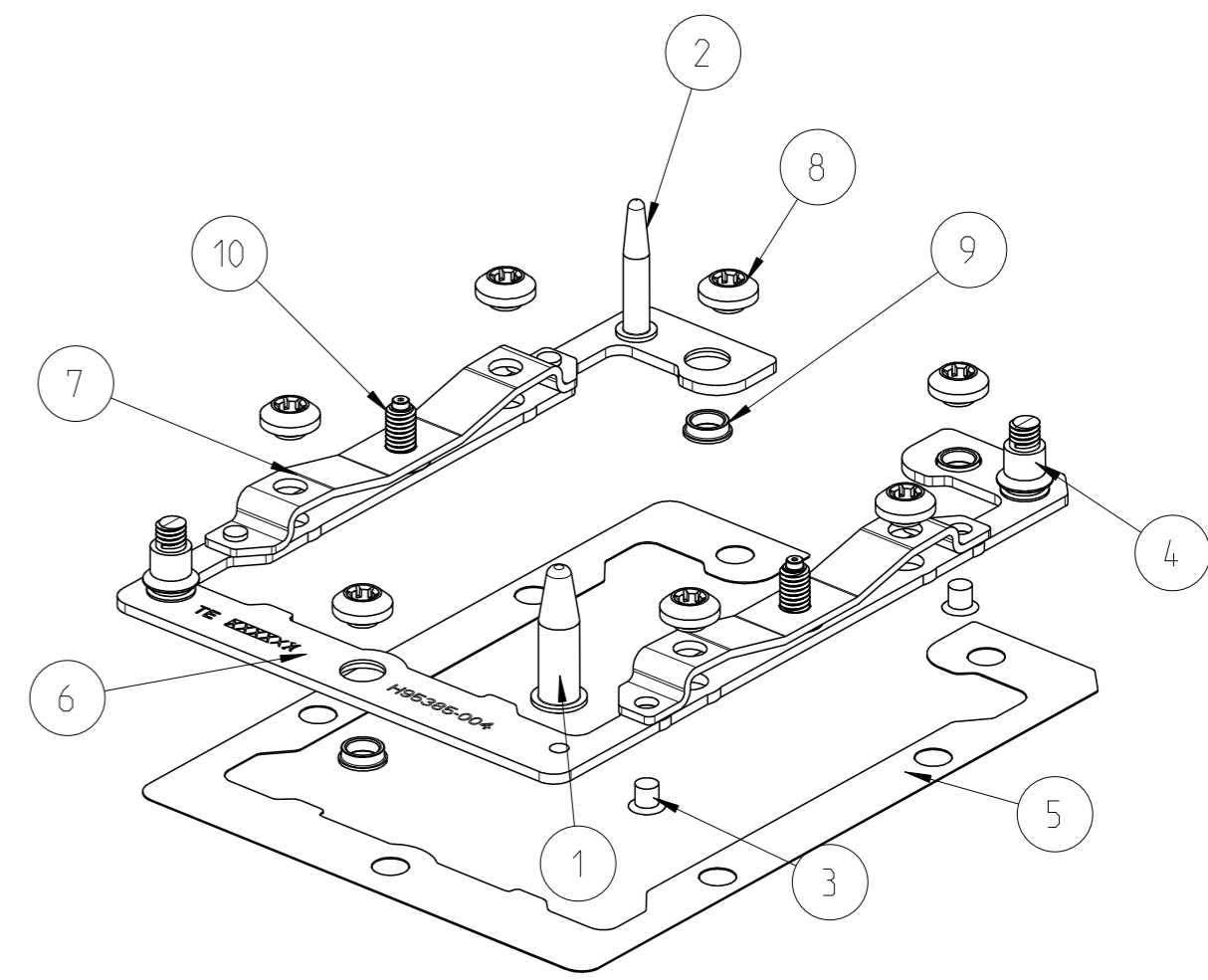
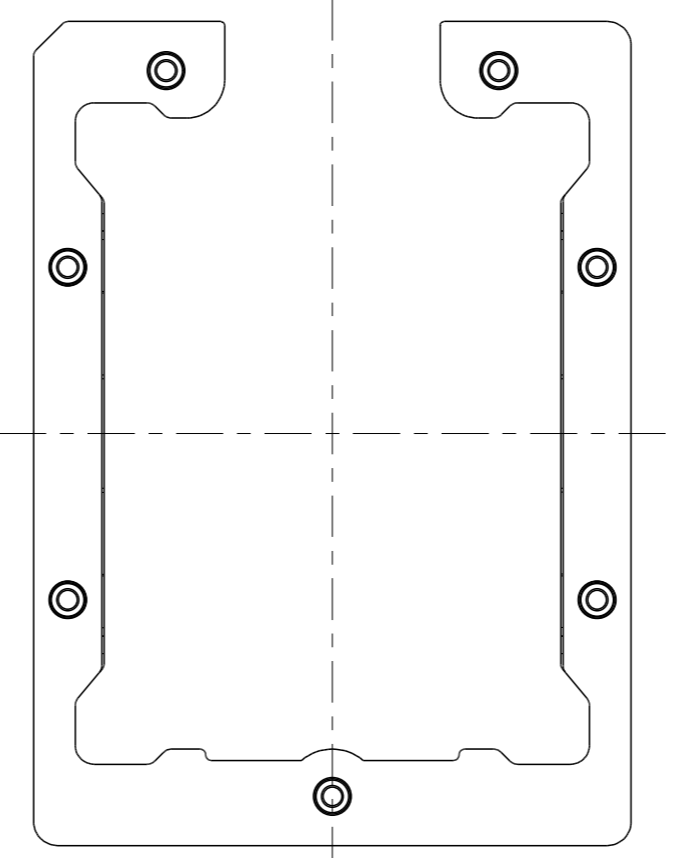
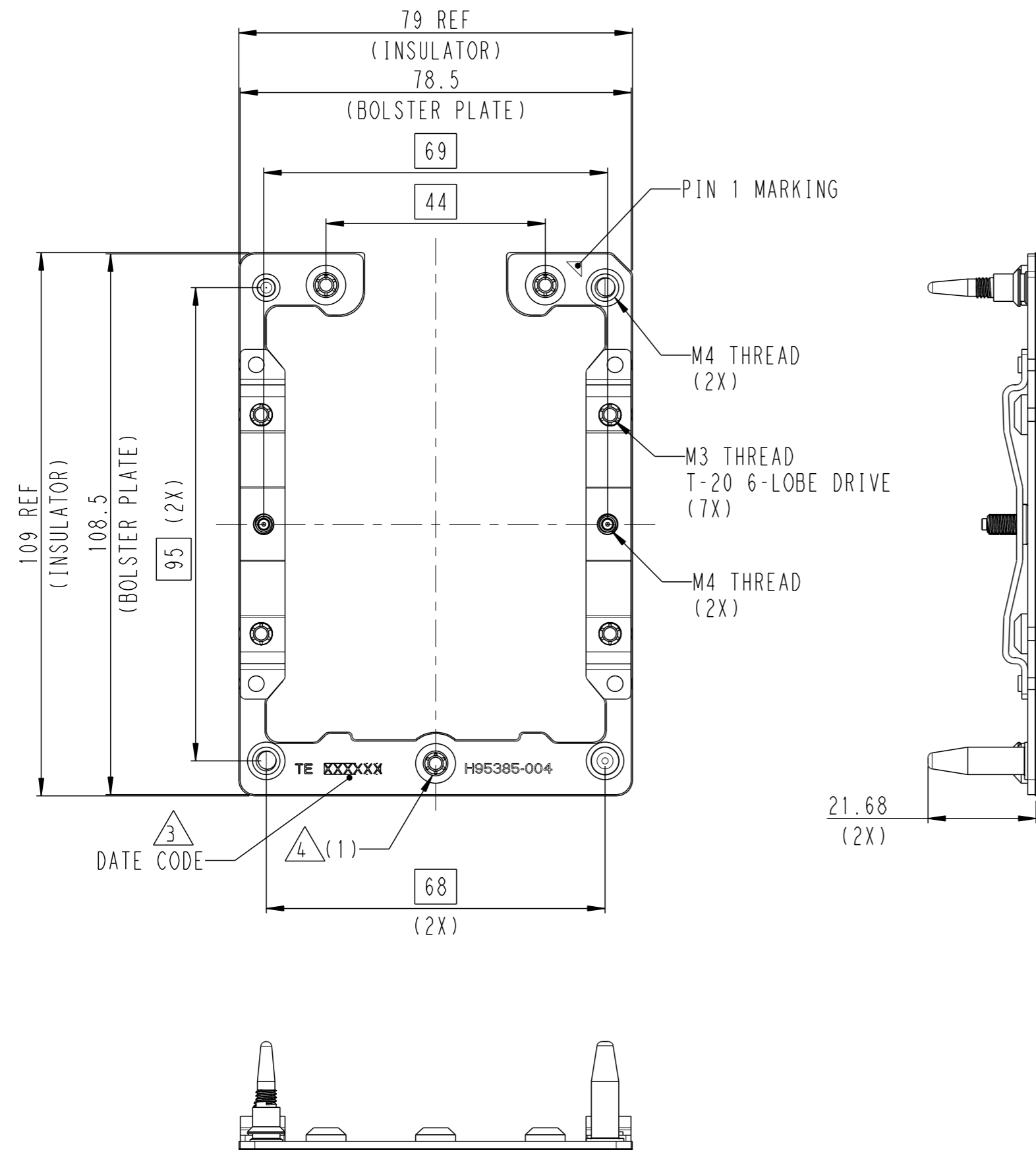
- 2. ASSEMBLED WITH BOLSTER ASSEMBLY P/N: 2299805 SERIES
- 3. INDICATED DATE CODE ON THE BOLSTER PLATE
- 4. NUT ASSEMBLY SEQUENCE FOR 6 CYCLES:  
ASSEMBLE (1) AND THE REMAINING NUTS IN ANY ORDER.  
DISSASSEMBLE IN REVERSE ORDER OF ASSEMBLE

Q'TY	DESCRIPTION	ITEM
11	NRW DUST COVER	11
10	SKT-EP SPRING STUD	10
9	SOCKET P M3 BOLSTER CAPTIVE NUT COLLAR	9
8	SOCKET P M3 BOLSTER CAPTIVE NUT	8
7	SKX-EP NRW SPRING	7
6	SKX NRW NON FABRIC BOLSTER PLATE	6
5	SKX NRW NON FABRIC BOLSTER INSULATOR	5
4	SKX BOLSTER CORNER STANDOFF	4
3	SKT-P-KNL, SPRING RIVET	3
2	KNL BOLSTER SMALL GUIDE POST	2
1	KNL BOLSTER LARGE GUIDE POST	1

THIS DRAWING IS A CONTROLLED DOCUMENT.		DWN JEFF WANG 23 JUN 2016	TE Connectivity	
		CHK SIMON LI 23 JUN 2016		
		APVD COREL WANG 23 JUN 2016	NAME	
DIMENSIONS: mm		PRODUCT SPEC 108-115115	SKX-EP NRW-NF BOLSTER PLATE ASSY	
TOLERANCES UNLESS OTHERWISE SPECIFIED:		APPLICATION SPEC 114-115011	SIZE A2	CAGE CODE -
MATERIAL		WEIGHT	DRAWING NO C=2299804	RESTRICTED TO -
		CUSTOMER DRAWING	SCALE 1:1	SHEET 1 OF 2 REV A2

THIS DRAWING IS UNPUBLISHED. RELEASED FOR PUBLICATION  
 © COPYRIGHT copyright\_date BY - ALL RIGHTS RESERVED.

REVISIONS				
P	LTR	DESCRIPTION	DATE	APVD
-	-	SEE SHEET 1	-	-



NOTES:

- MATERIAL:
  - ① BOLSTER LARGE GUIDE POST: STAINLESS STEEL
  - ② BOLSTER SMALL GUIDE POST: STAINLESS STEEL
  - ③ SKT-P-KNL, SPRING RIVET: STAINLESS STEEL
  - ④ SKX BOLSTER CORNER STANDOFF: STAINLESS STEEL
  - ⑤ SKX NRW NON FABRIC BOLSTER INSULATOR: -POLYCARBONATE FILM PLUS ACRYLIC ADHESIVE LAYER
  - ⑥ SKX NRW NON FABRIC BOLSTER PLATE: STAINLESS STEEL
  - ⑦ SKX-EP NRW SPRING: STAINLESS STEEL
  - ⑧ SOCKET P M3 BOLSTER CAPTIVE NUT: CARBON STEEL, NICKEL PLATING
  - ⑨ SOCKET P M3 BOLSTER CAPTIVE NUT COLLAR: CARBON STEEL, NICKEL PLATING
  - ⑩ SKT-EP SPRING STUD: STAINLESS STEEL
- ASSEMBLED WITH BOLSTER ASSEMBLY P/N: 2299805 SERIES
- INDICATED DATE CODE ON THE BOLSTER PLATE
- NUT ASSEMBLY SEQUENCE FOR 6 CYCLES: ASSEMBLE (1) AND THE REMAINING NUTS IN ANY ORDER. DISSASSEMBLE IN REVERSE ORDER OF ASSEMBLE

P/N: 2299804-3 AS SHOW  
(NRW-NF TYPE WITHOUT COVER)

Q'TY	DESCRIPTION	ITEM
10	SKT-EP SPRING STUD	10
9	SOCKET P M3 BOLSTER CAPTIVE NUT COLLAR	9
8	SOCKET P M3 BOLSTER CAPTIVE NUT	8
7	SKX-EP NRW SPRING	7
6	SKX NRW NON FABRIC BOLSTER PLATE	6
5	SKX NRW NON FABRIC BOLSTER INSULATOR	5
4	SKX BOLSTER CORNER STANDOFF	4
3	SKT-P-KNL, SPRING RIVET	3
2	KNL BOLSTER SMALL GUIDE POST	2
1	KNL BOLSTER LARGE GUIDE POST	1

THIS DRAWING IS A CONTROLLED DOCUMENT.		DWN: JEFF WANG 23JUN2016		
		CHK: SIMON LI 23JUN2016		
		APVD: COREL WANG 23JUN2016	NAME: SKX-EP NRW-NF BOLSTER PLATE ASSY	
DIMENSIONS: mm		PRODUCT SPEC: 108-115115	RESTRICTED TO: -	
TOLERANCES UNLESS OTHERWISE SPECIFIED:		APPLICATION SPEC: 114-115011	SCALE: 1:1	
MATERIAL: -		WEIGHT: -	SHEET 2 OF 2	
		CUSTOMER DRAWING	REV A2	

## X-ON Electronics

Largest Supplier of Electrical and Electronic Components

*Click to view similar products for [IC & Component Sockets](#) category:*

*Click to view products by [TE Connectivity](#) manufacturer:*

Other Similar products are found below :

[0066-3-17-15-30-14-02-0](#) [670](#) [672](#) [673](#) [694-13-640-00-672-000](#) [712-93-120-41-001000](#) [714-93-104-31-018000](#) [8059-4G1-LF](#) [807-22-001-10-001101](#) [807-22-001-10-006101](#) [807-22-001-30-011101](#) [807-22-001-30-012101](#) [807-22-001-30-013101](#) [807-22-001-30-014101](#) [8-1437531-4](#) [8150-6P10](#) [833-93-034-10-001000](#) [851-41-006-10-001000](#) [851-43-008-20-001000](#) [851-43-014-20-001000](#) [851-93-006-20-001000](#) [851-93-010-20-001000](#) [853-43-020-10-001000](#) [86.010.0053.0](#) [116-43-308-41-007000](#) [PX-68LCC](#) [121-13-318-41-001000](#) [121-13-320-41-001000](#) [121-13-308-41-001000](#) [123-43-314-41-801000](#) [123-43-420-41-001000](#) [122-13-316-41-001000](#) [123-13-624-41-001000](#) [123-43-306-41-001000](#) [12-3513-11](#) [123-91-320-41-001000](#) [126-43-310-41-002000](#) [AKSUN 37V-T](#) [1437503-9](#) [1437504-1](#) [146-44-308-41-013000](#) [146-43-308-41-012000](#) [160-10-308-00-001000](#) [160-40-320-00-001000](#) [214-99-306-01-670800](#) [232-1270-02-0602](#) [2-382761-4](#) [2-5331677-4](#) [2-640360-3](#) [2801-2-00-50-00-00-07-0](#)