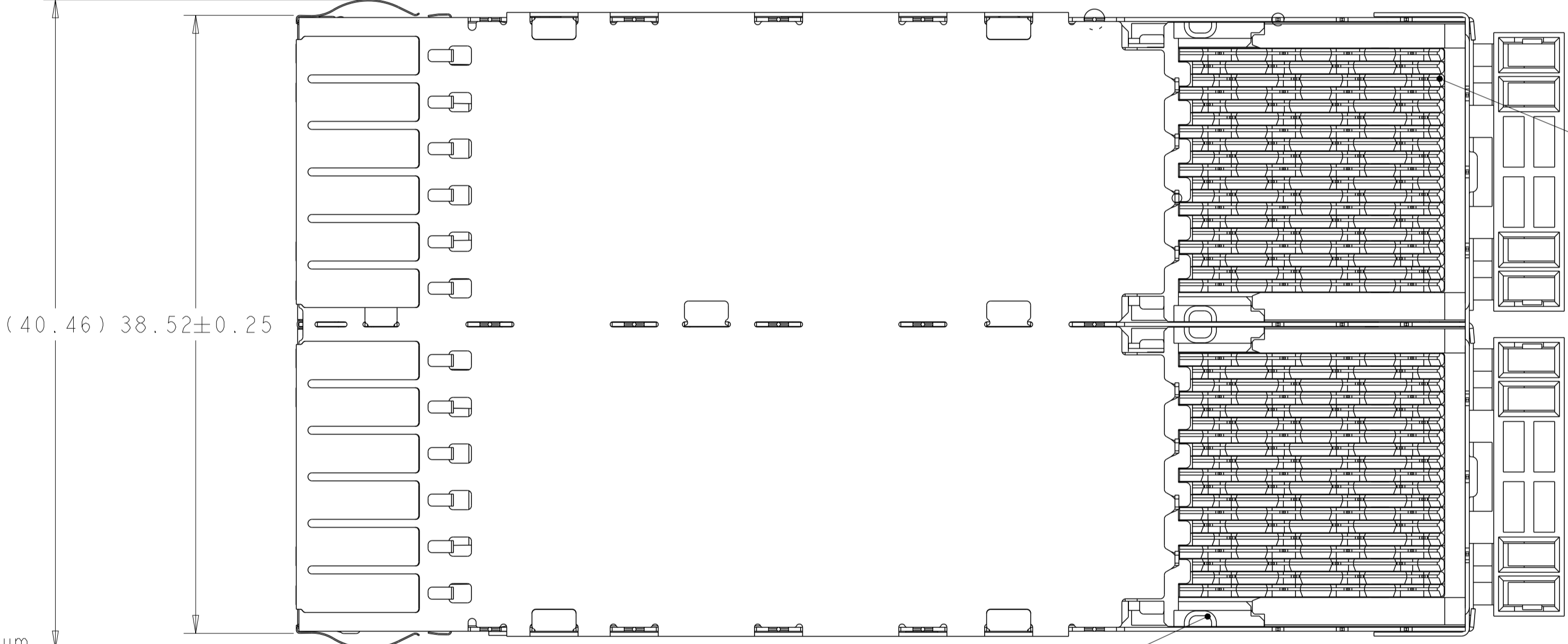
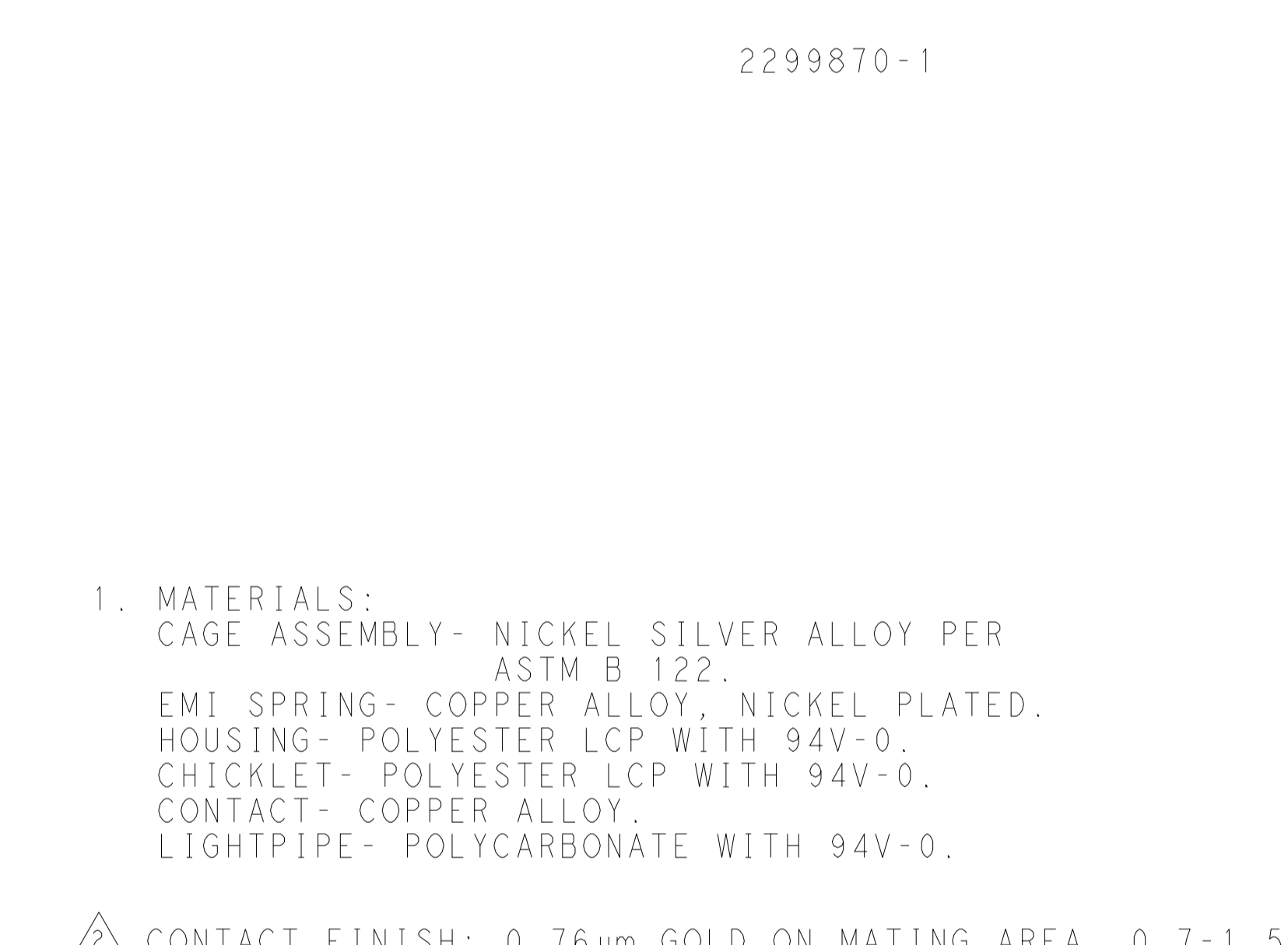
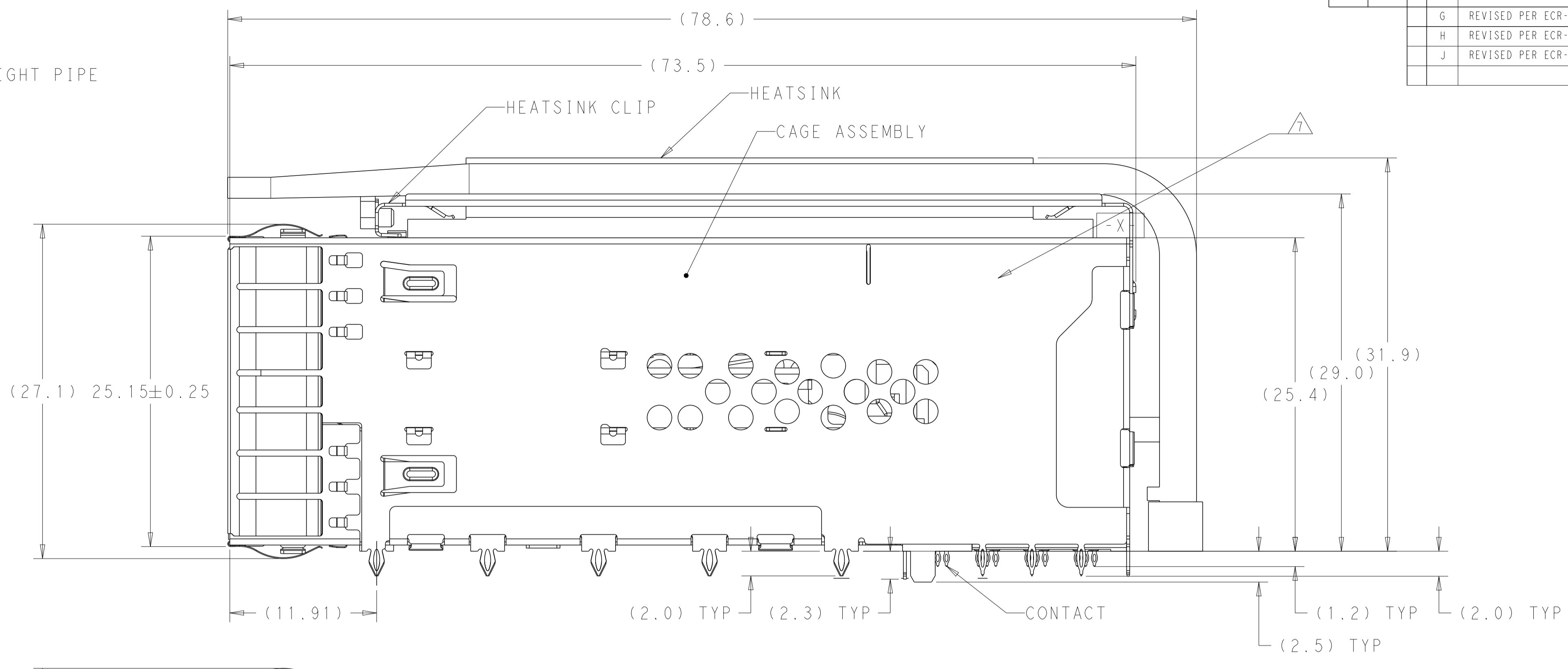
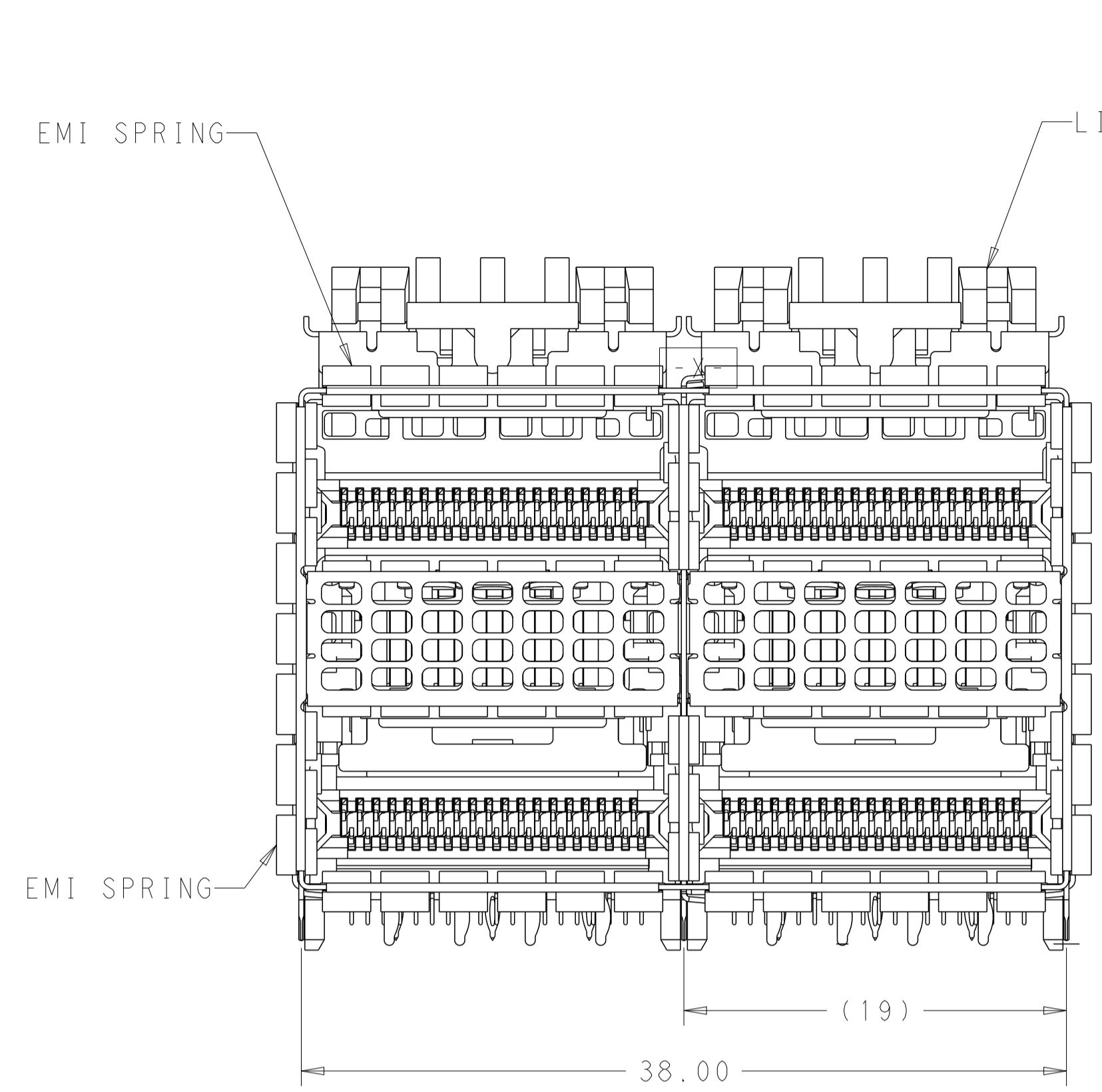


LOC	DIST	REVISIONS					
GP	00	P	LTN	DESCRIPTION	DATE	DMN	APVD
		G		REVISED PER ECR-19-017405	22NOV2019	RM	SH
		H		REVISED PER ECR-19-019853	06JAN2020	RM	SH
		J		REVISED PER ECR-20-012291	09SEP2020	RM	SH



1. MATERIALS:  
 CAGE ASSEMBLY- NICKEL SILVER ALLOY PER ASTM B 122.  
 EMI SPRING- COPPER ALLOY, NICKEL PLATED.  
 HOUSING- POLYESTER LCP WITH 94V-0.  
 CHICKLET- POLYESTER LCP WITH 94V-0.  
 CONTACT- COPPER ALLOY.  
 LIGHTPIPE- POLYCARBONATE WITH 94V-0.

- 2 CONTACT FINISH: 0.76µm GOLD ON MATING AREA, 0.7-1.5µm MATT TIN ON COMPLIANT AREA, ALL OVER 1.27µm NICKEL.
- 3 DATUM AND BASIC DIMENSION ESTABLISHED BY CUSTOMER.
4. MINIMUM PCB THICKNESS OF 1.57.
- 5 THE ENTIRE AREA OF THE CONNECTOR FOOTPRINT, INDICATED BY THE DASHED LINE, TO BE CONSIDERED THE KEEPOUT AREA FOR COMPONENTS AND TRACES.
- 6 CROSS-HATCHED AREAS REPRESENT ZONES ON THE PCB THAT COME IN CONTACT WITH OR BE IN CLOSE PROXIMITY TO THE PLASTIC HOUSING OR THE CONNECTOR CAGE. INDICATED AREAS TO BE CONSIDERED TRACE FREE.
- 7 PART NUMBER AND DATE CODE MAKED IN APPROXIMATE AREA SHOWN.
- 8 HATCHED AREA IS PLACEMENT ZONE FOR LED. LED SHOULD BE CENTERED WITHIN ZONE. RECOMMEND 0805 PACKAGE.
- 9 CONTACT FINISH: 0.08µm MINIMUM GOLD OVER 0.68µm PALLADIUM-NICKEL ON MATING AREA, 0.7-1.5µm MATT TIN ON COMPLIANT AREA, ALL OVER 1.27µm NICKEL.
- 10 LOW Br/Ci AS DEFINED IN TEC-138-702.
- 11 LIGHT PIPE WITH COATING.
- 12 REMOVE THE PCB HOLES FOR 3-2299870-0 FOR SPECIAL APPLICATION.
- 13 HEAT SINK WITH NICKEL PLATING

CONTACT FINISH	DESCRIPTION	PART NUMBER
2	WITH HS & WITH LP	3-2299870-8
2	WITH HS & WITHOUT LP	3-2299870-1
2	WITH HS & WITH LP	3-2299870-0
2	WITH HS & WITH LP	2-2299870-8
2	WITHOUT HS & WITH LP	2-2299870-5
2	WITH HS & WITH LP	2-2299870-3
2	WITH HS & WITHOUT LP	2-2299870-2
2	WITHOUT UPPER HS OR LP	2-2299870-1
2	WITH HS & WITH LP	2-2299870-0
1	WITH HS & WITH LP	1-2299870-9
1	WITH HS & WITH LP	1-2299870-8
2	WITH HS & WITHOUT LP	1-2299870-6
2	WITH HS & WITH LP	1-2299870-5
2	WITH HS & WITHOUT LP	1-2299870-3
2	WITH HS & WITHOUT LP	1-2299870-2
2	WITH HS & WITH LP	1-2299870-0
2	WITH HS & WITH LP	2299870-9
2	WITH HS & WITH LP	2299870-8
1	WITH HS & WITH LP	2299870-7
2	WITH HS & WITHOUT LP	2299870-6
2	WITHOUT UPPER HS OR LP	2299870-5
2	WITHOUT UPPER HS OR LP	2299870-4
2	WITH HS & WITHOUT LP	2299870-3
2	WITH HS & WITHOUT LP	2299870-2
2	WITH HS & WITH LP	2299870-1

THIS DRAWING IS A CONTROLLED DOCUMENT.

DMN: TIM XUE 28JAN2016  
 CHN: SEAN HAN 28JAN2016  
 APVD: SEAN HAN 28JAN2016

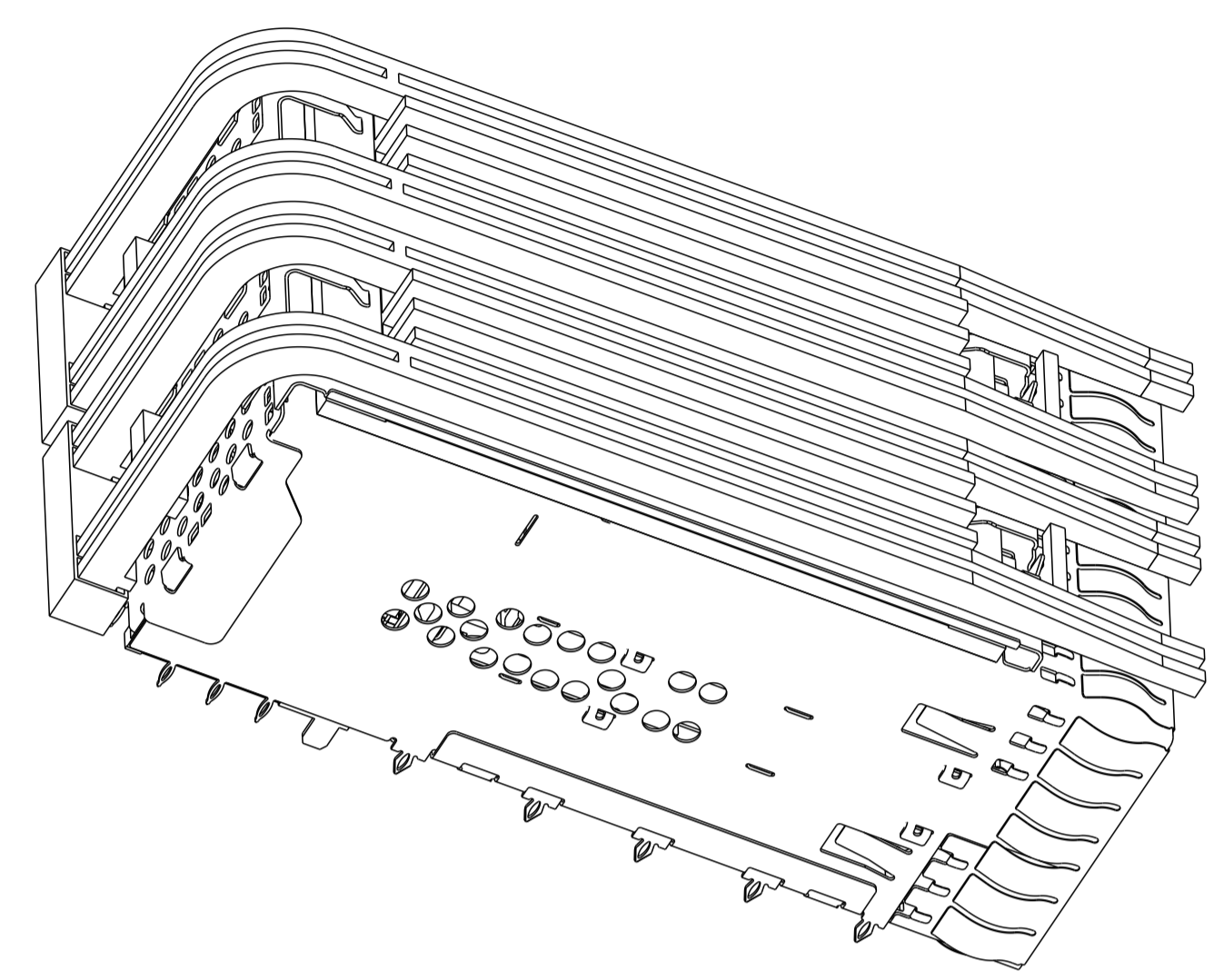
TE Connectivity

CAGE AND CONNECTOR ASSEMBLY WITH EMI SPRING FINGERS, THRU BEZEL, 2X2 ZQSF+ STACKED WITH HS

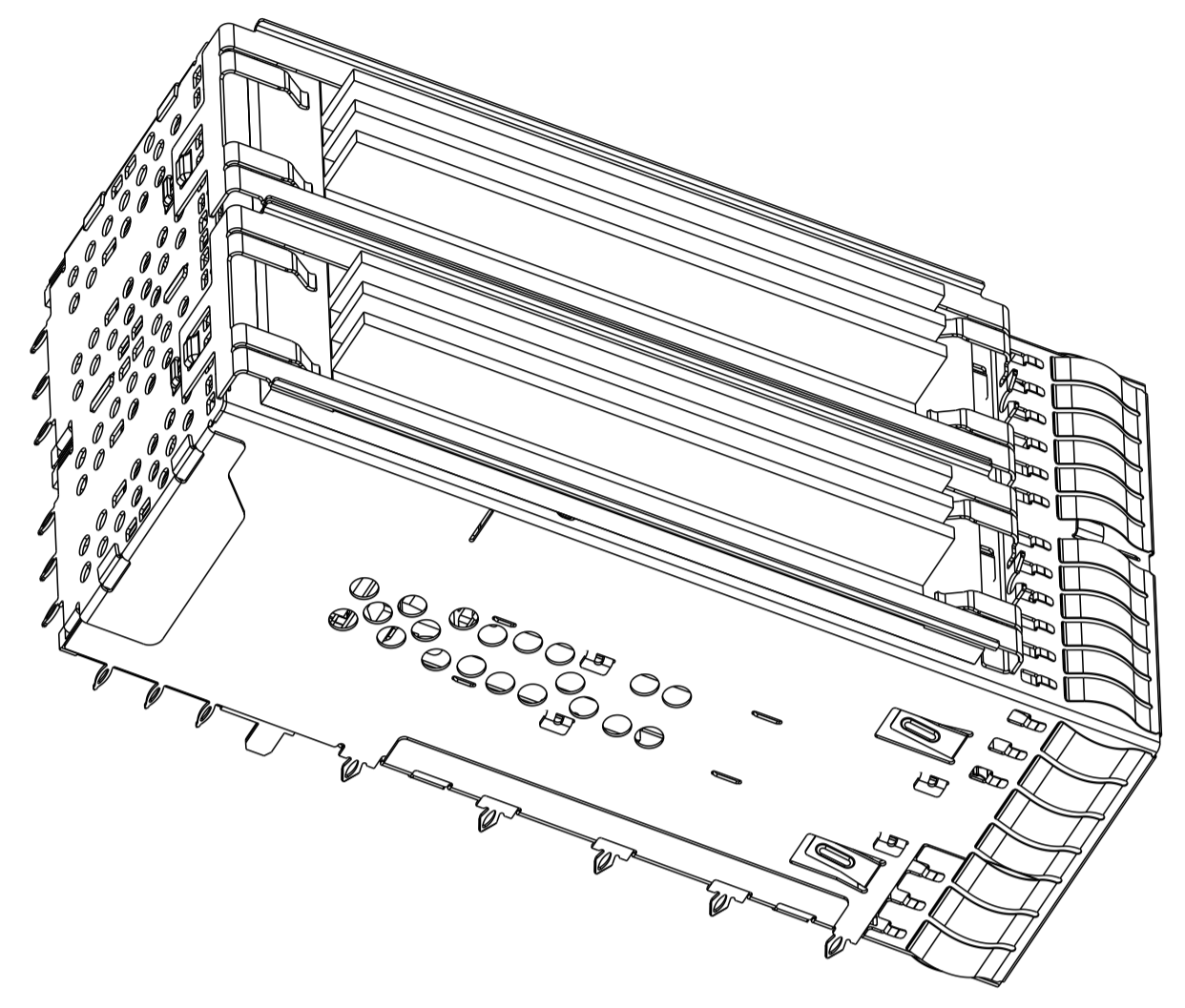
SIZE: 114-60015 CAGE CODE: 108-60102 DRAWING NO: 100779 C=2299870

SCALE: 4:1 SHEET 1 OF 15 REV J

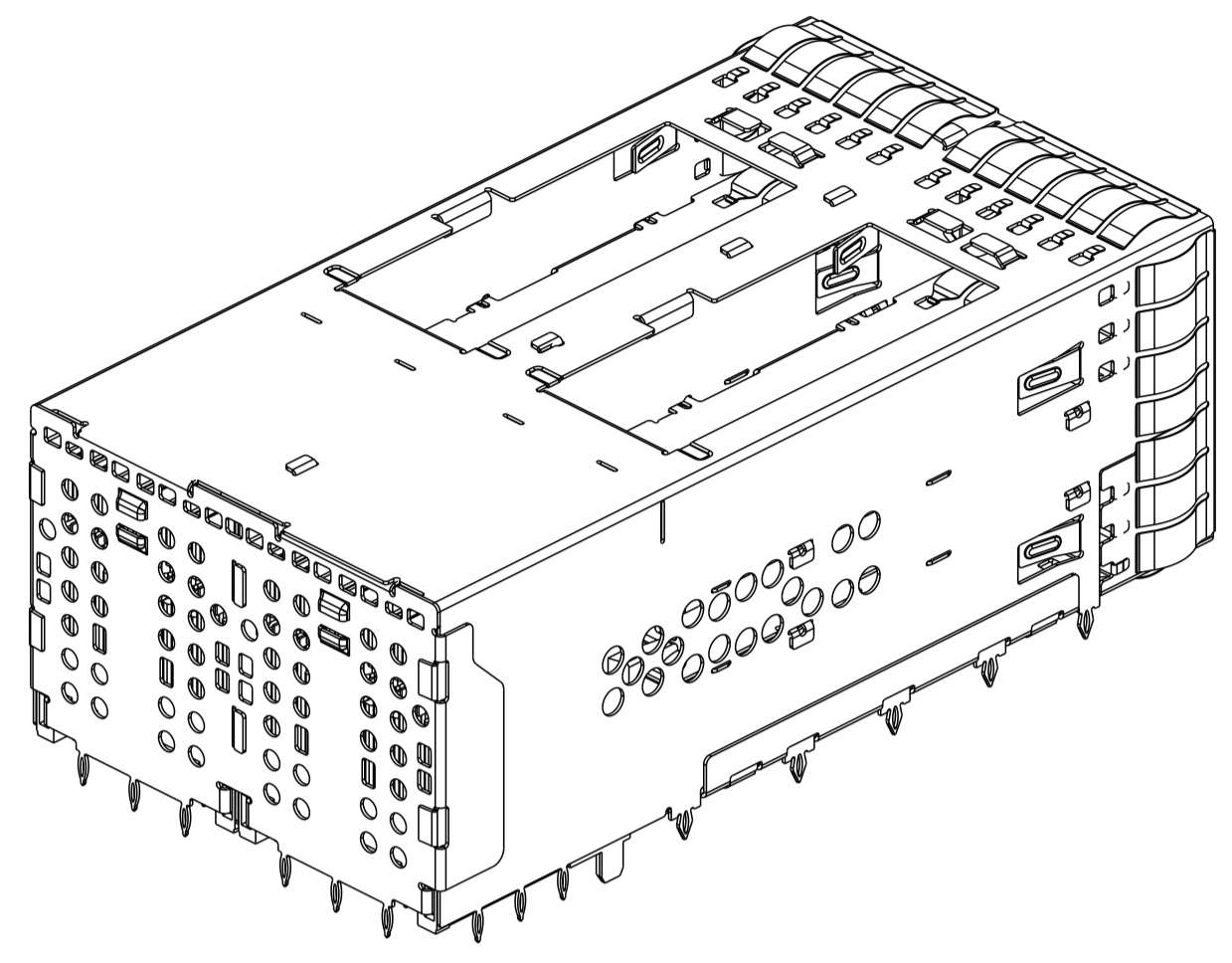
LOC	DIST	REVISIONS					
GP	00	P	LYR	DESCRIPTION	DATE	OWN	APVD
		-		SEE SHEET 1			



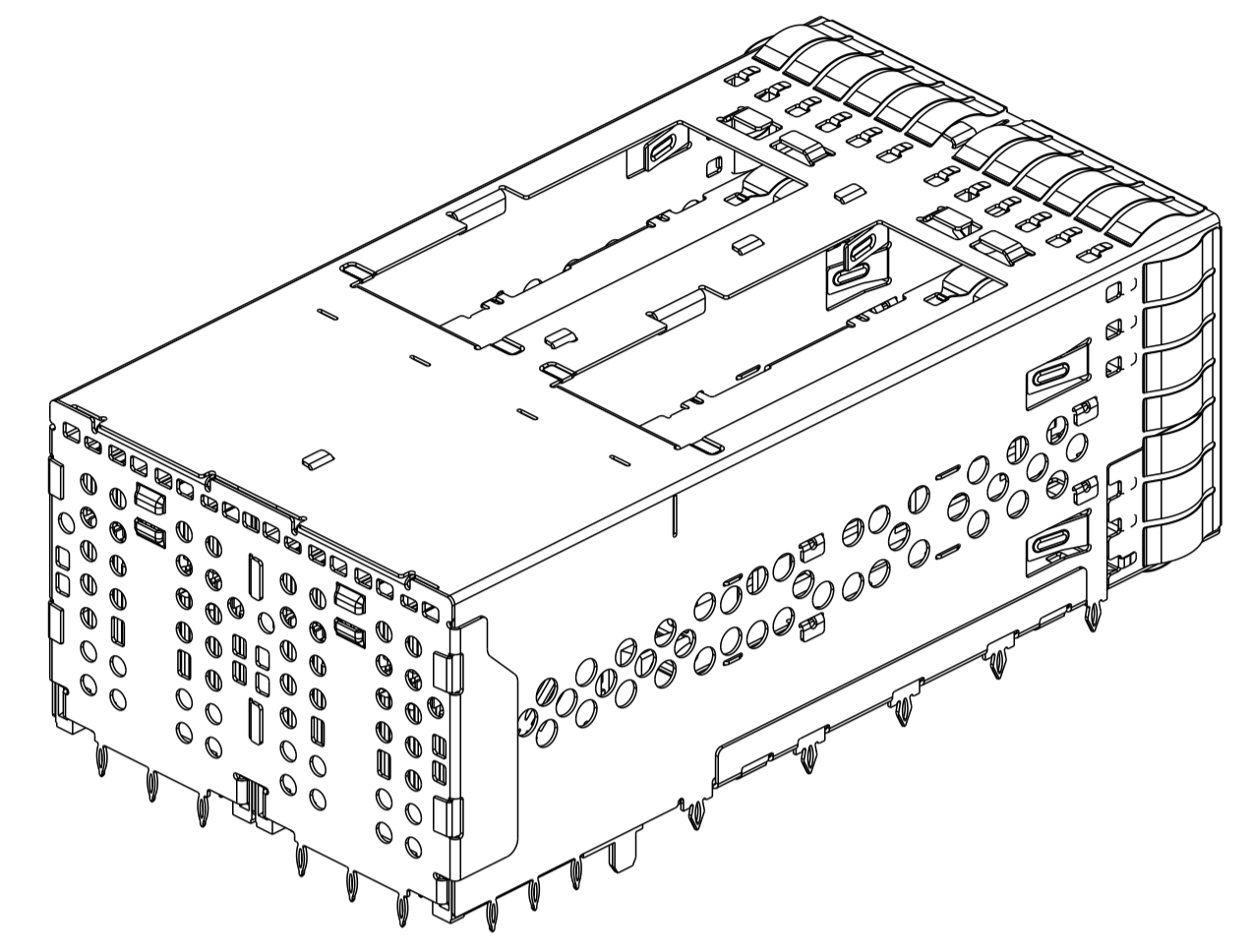
2299870-1 AS SHOWN  
SCALE 2:1



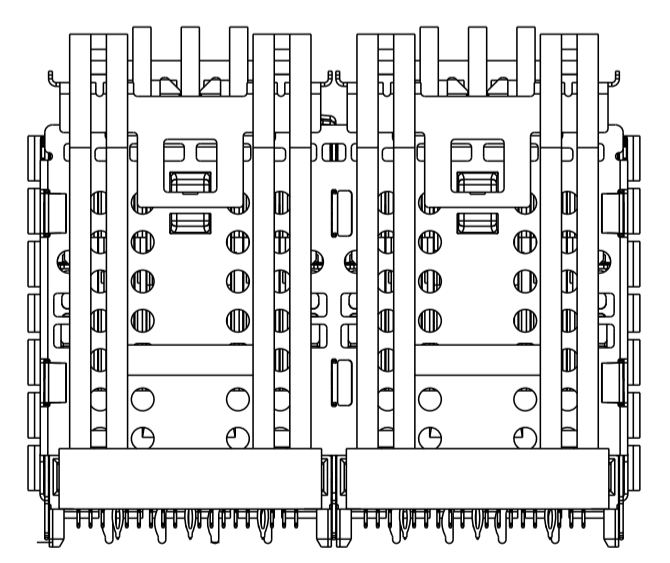
2299870-2 AND 1-2299870-2AS SHOWN  
SAME AS 2299870-1 EXCEPT  
W/O LEGHT PIPE AND ORGANIZER  
SCALE 2:1



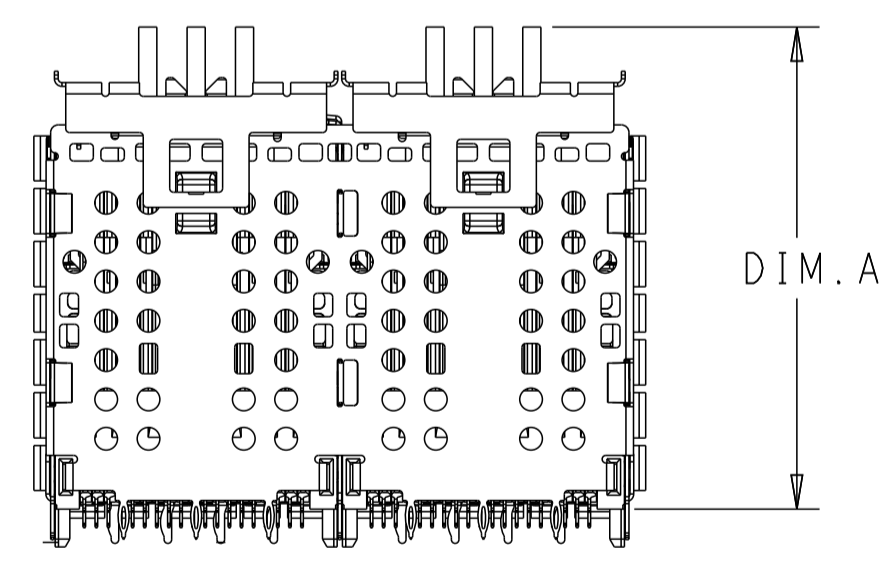
2299870-4 AS SHOWN  
SAME AS 2299870-2 EXCEPT  
W/O EXTERNAL HEAT SINK AND LP  
SCALE 2:1



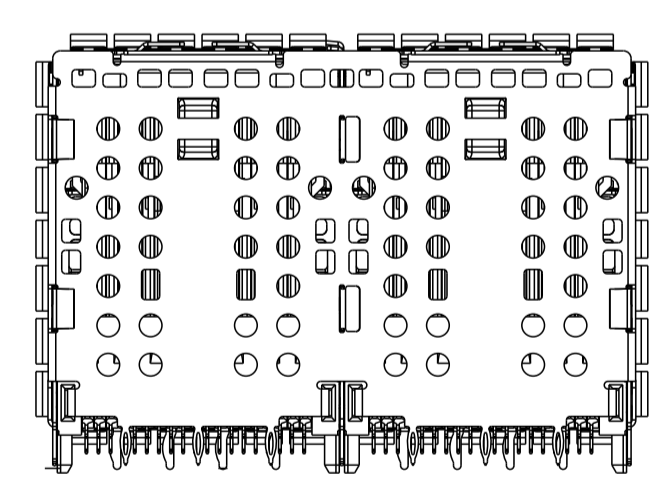
2299870-5  
2-2299870-1  
SCALE 2:1



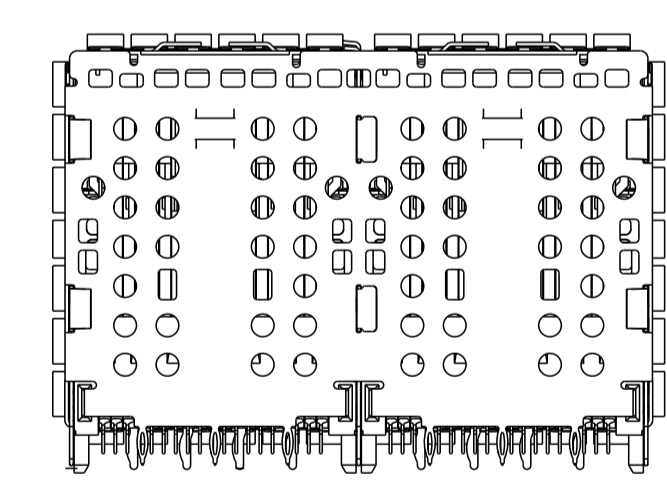
2299870-1  
SCALE 2:1



2299870-2  
1-2299870-2  
SCALE 2:1



2299870-4  
SCALE 2:1

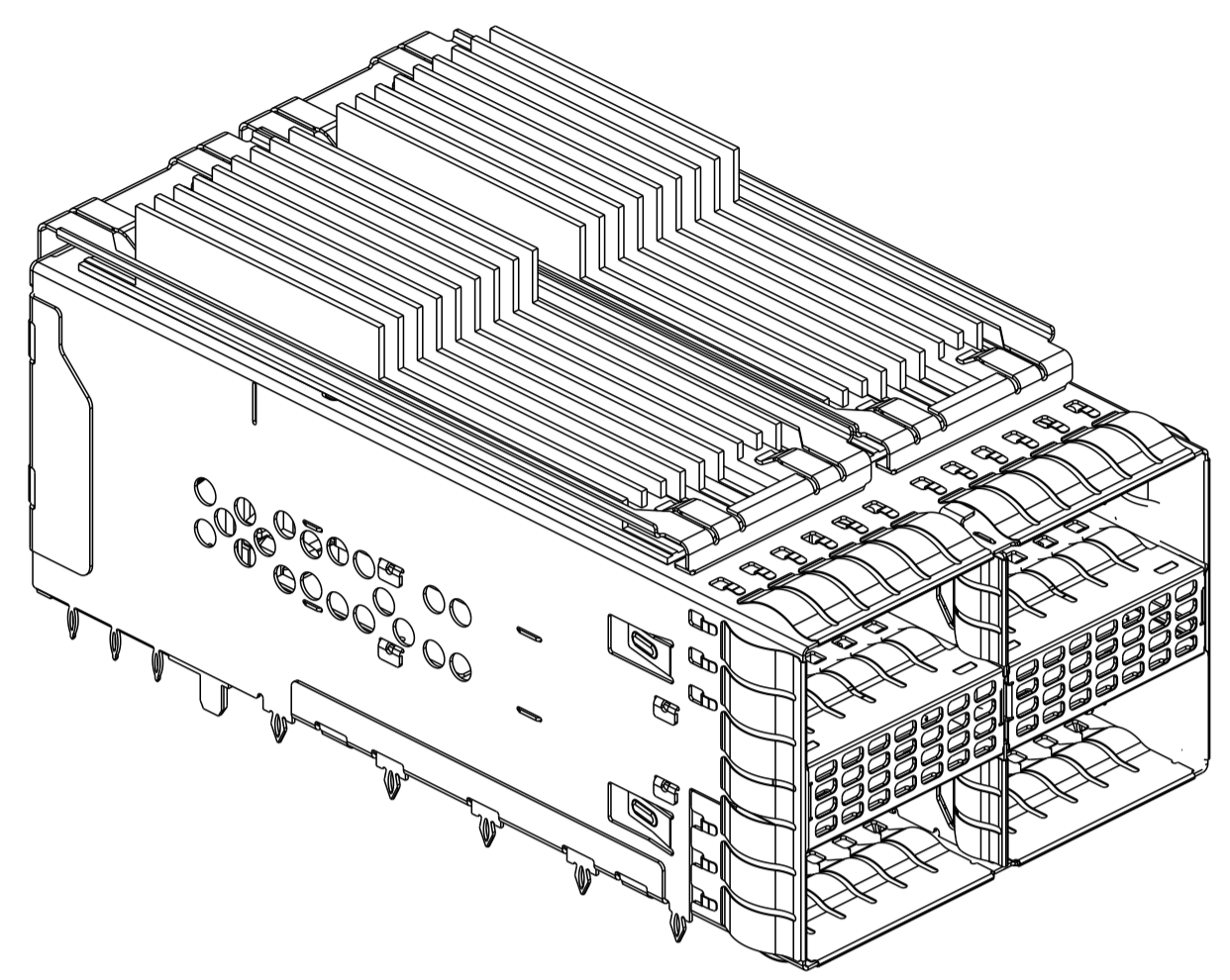


2299870-5  
2-2299870-1  
SCALE 2:1

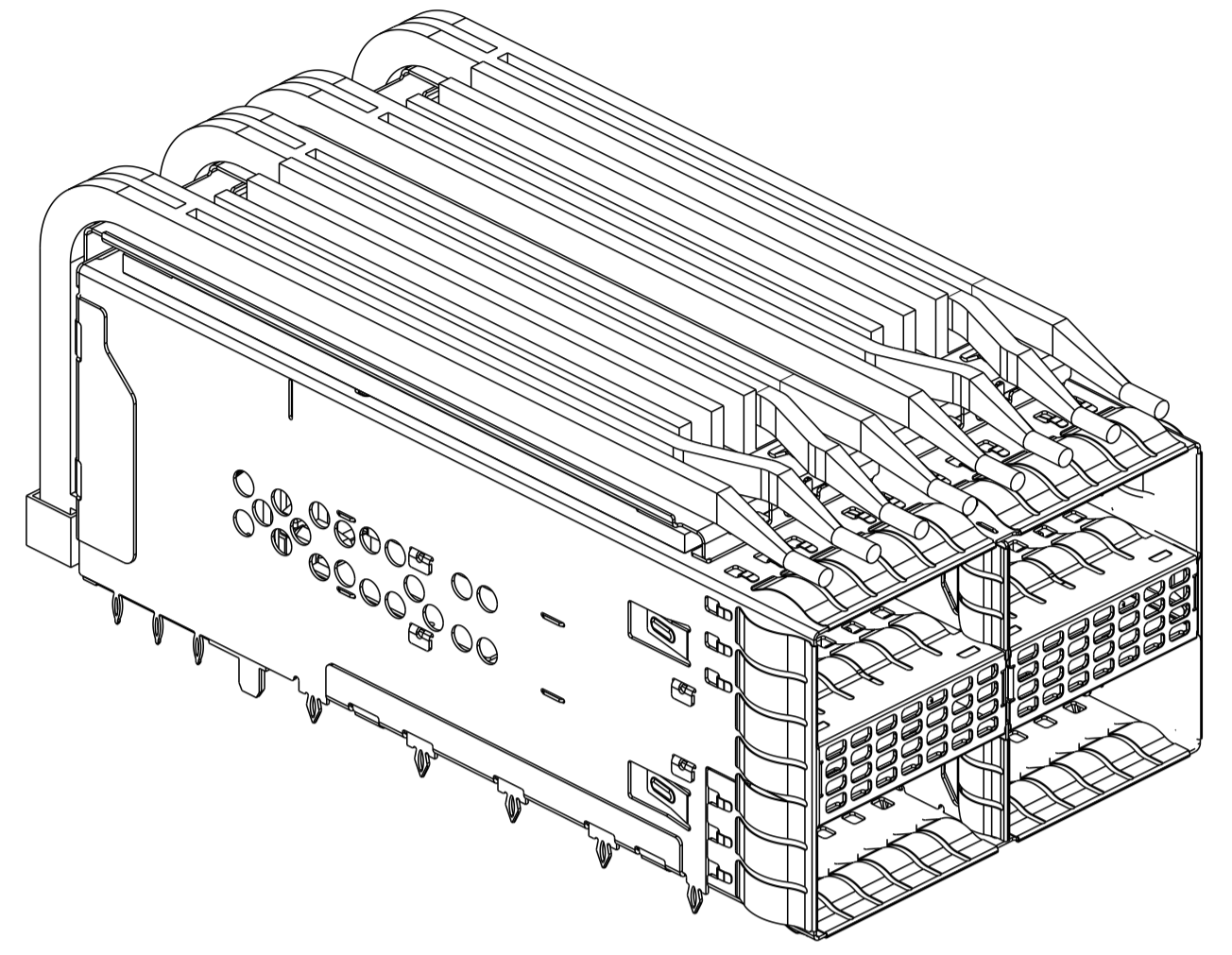
30.9	1-2299870-2
31.9	2299870-2
DIM.A	PART NUMBER

THIS DRAWING IS A CONTROLLED DOCUMENT.		OWN TIM XUE 28JAN2016	TE Connectivity
DIMENSIONS:		CHK SEAN HAN 28JAN2016	
mm	TOLERANCES UNLESS OTHERWISE SPECIFIED:	APVD SEAN HAN 28JAN2016	NAME
0 PLC ±	1 PLC ±0.25	PRODUCT SPEC	CAGE AND CONNECTOR ASSEMBLY WITH
2 PLC ±0.15	3 PLC ±	108-60102	EMI SPRING FINGERS, THRU BEZEL,
4 PLC ±	ANGLES ±	APPLICATION SPEC	2X2 ZQSPF+ STACKED WITH HS
MATERIAL	FINISH	114-60015	SIZE
SEE NOTE 1	SEE NOTE 2	WEIGHT	CAGE CODE
		CUSTOMER DRAWING	DRAWING NO
		A100779	RESTRICTED TO
		C=2299870	SCALE
			4:1
			SHEET
			2
			OF
			15
			REV
			J

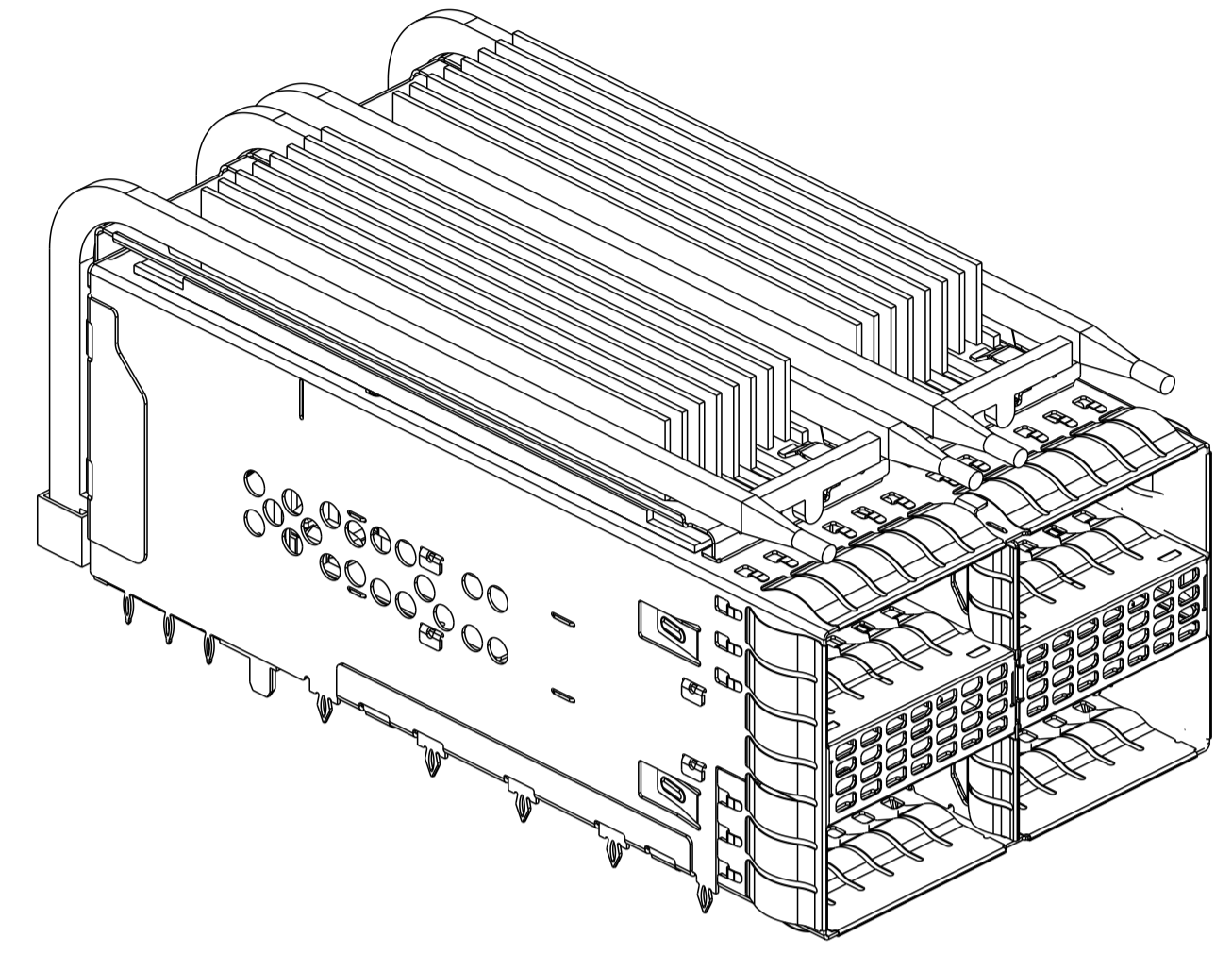
LOC	DIST	REVISIONS					
GP	00	P	LYR	DESCRIPTION	DATE	OWN	APVD
		-		SEE SHEET 1			



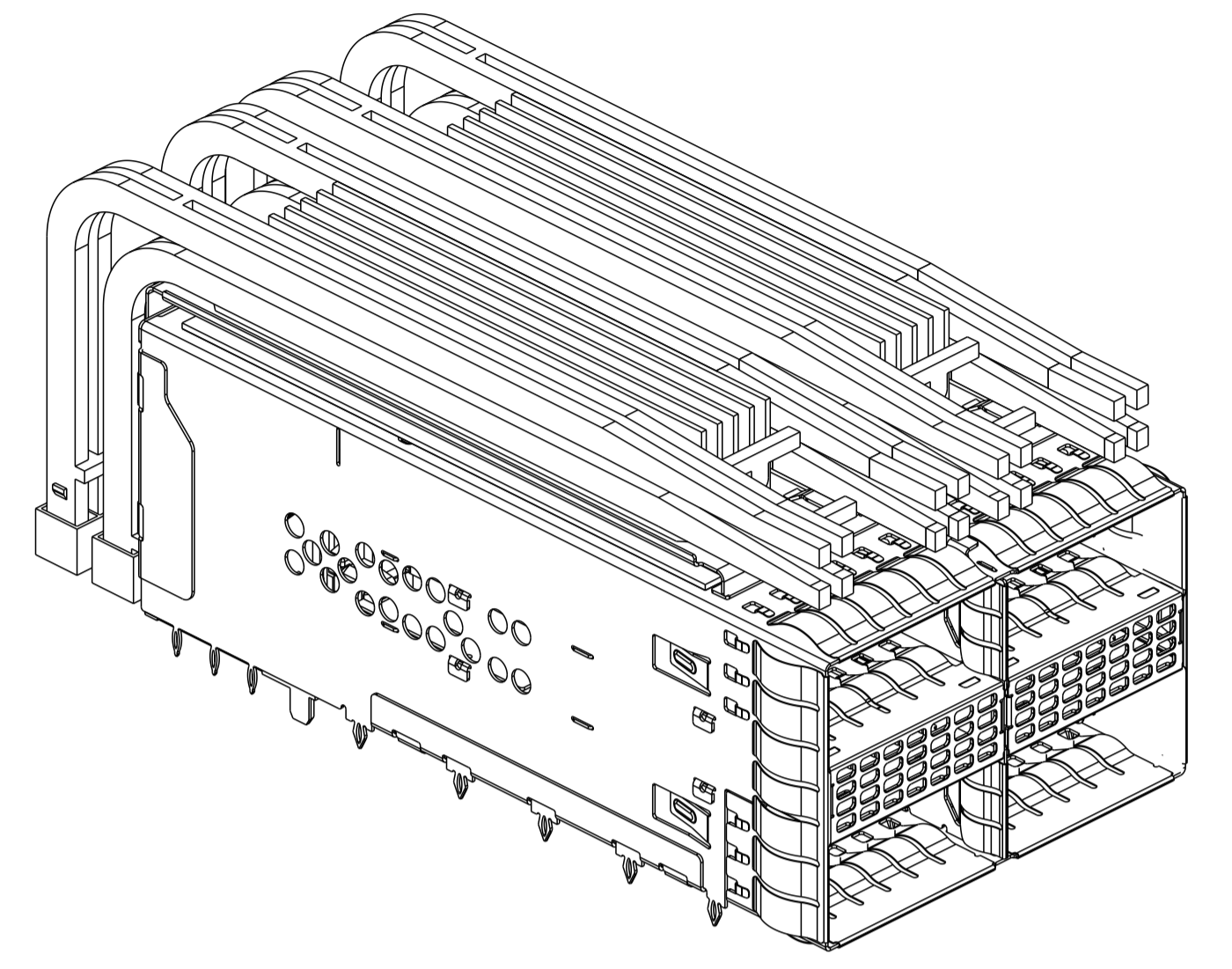
2299870-6  
SCALE 2:1



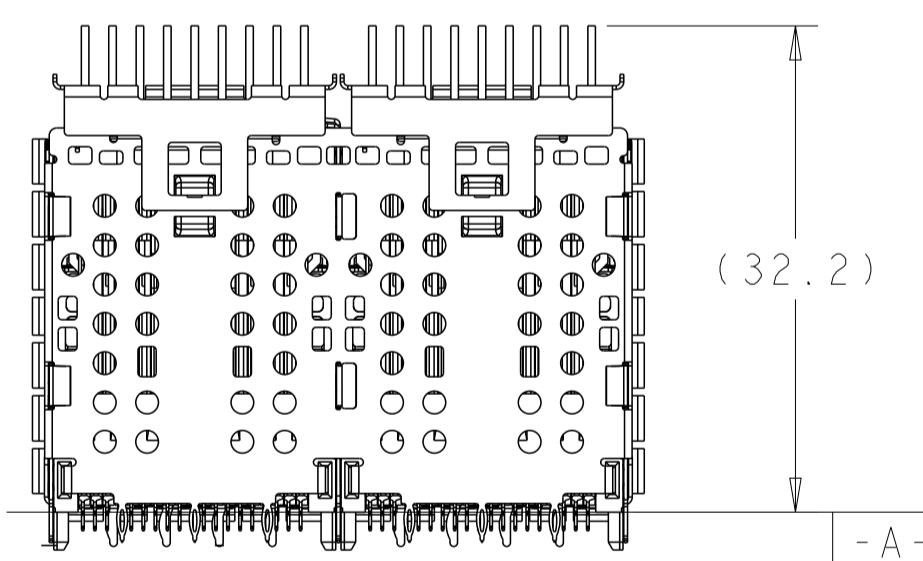
2299870-7  
SCALE 2:1



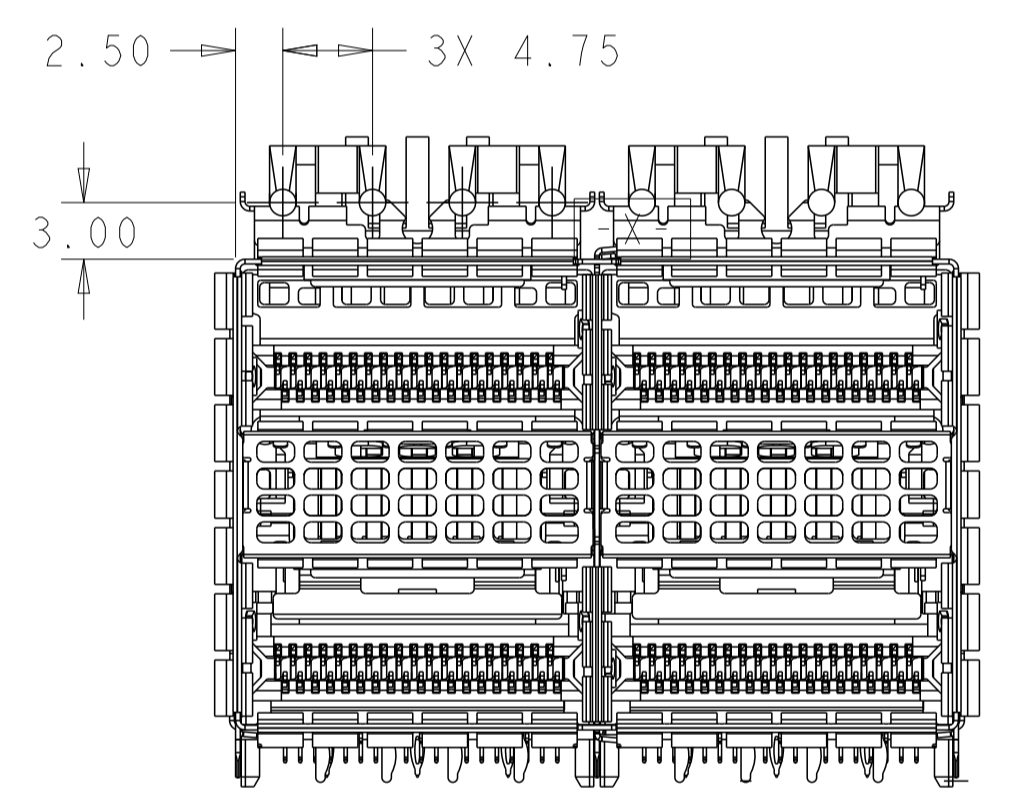
2299870-8  
SCALE 2:1



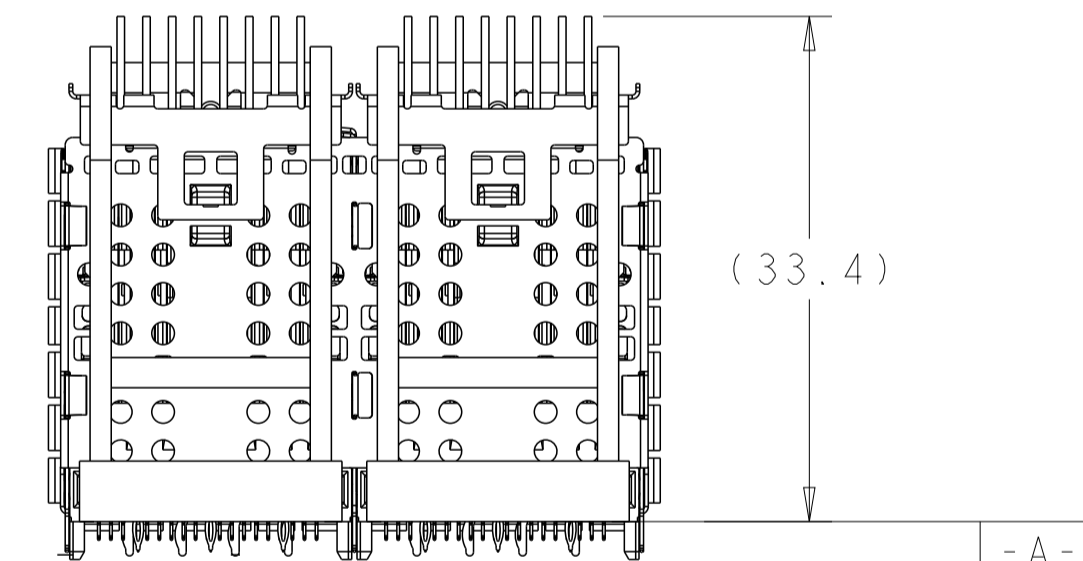
2299870-9  
SCALE 2:1



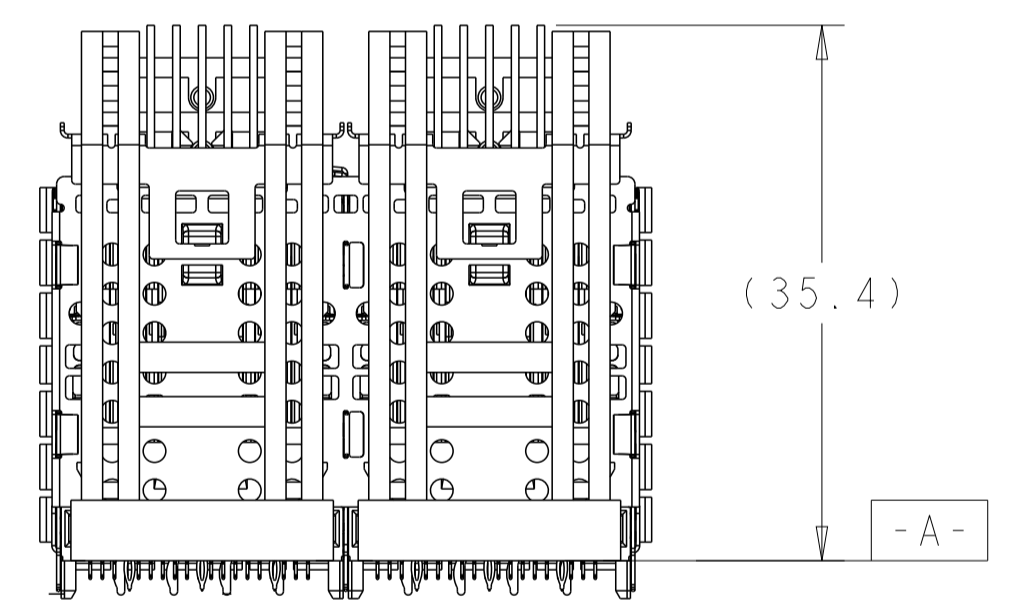
2299870-6  
SCALE 2:1



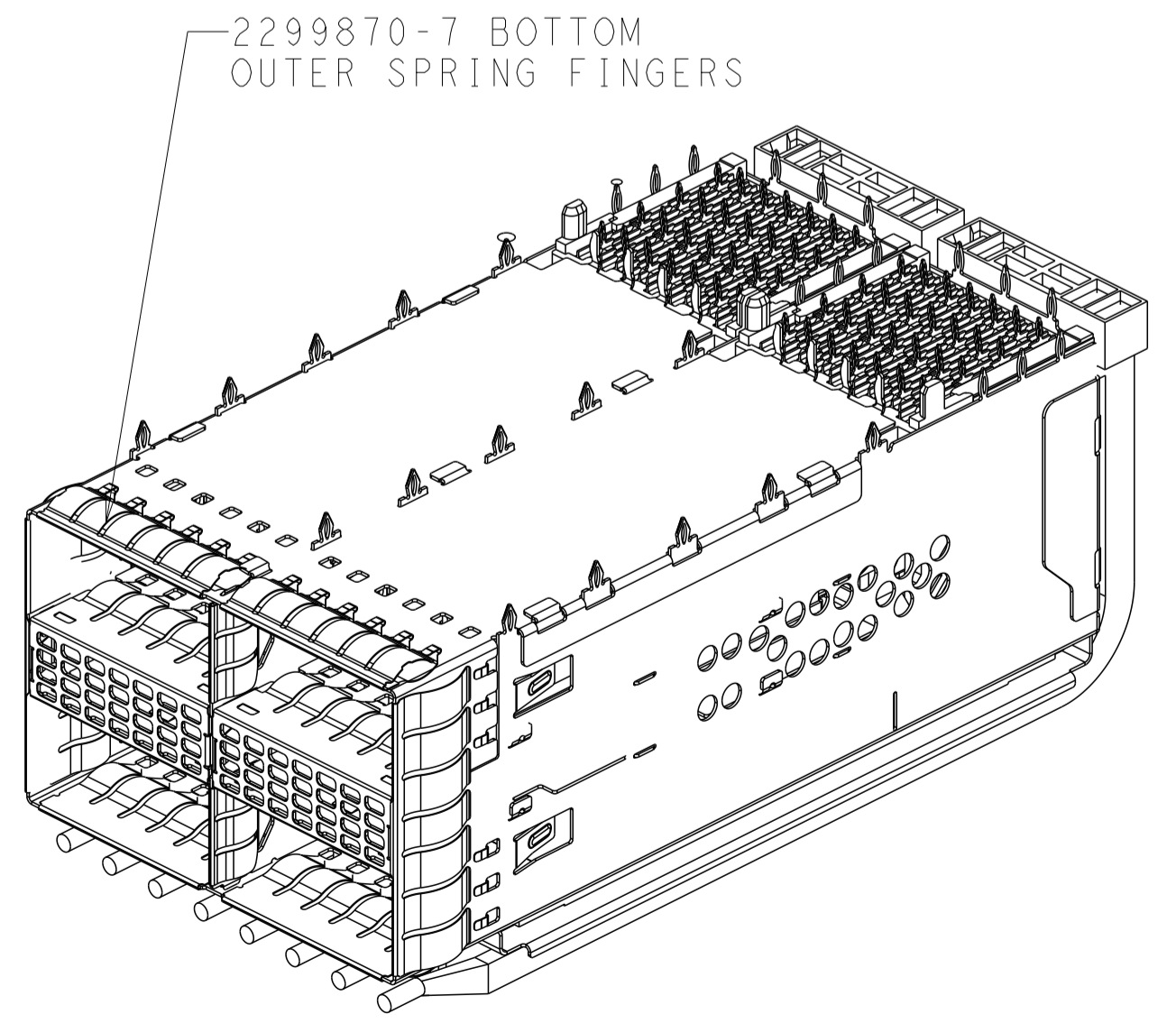
SCALE 5:2



2299870-8  
SCALE 2:1



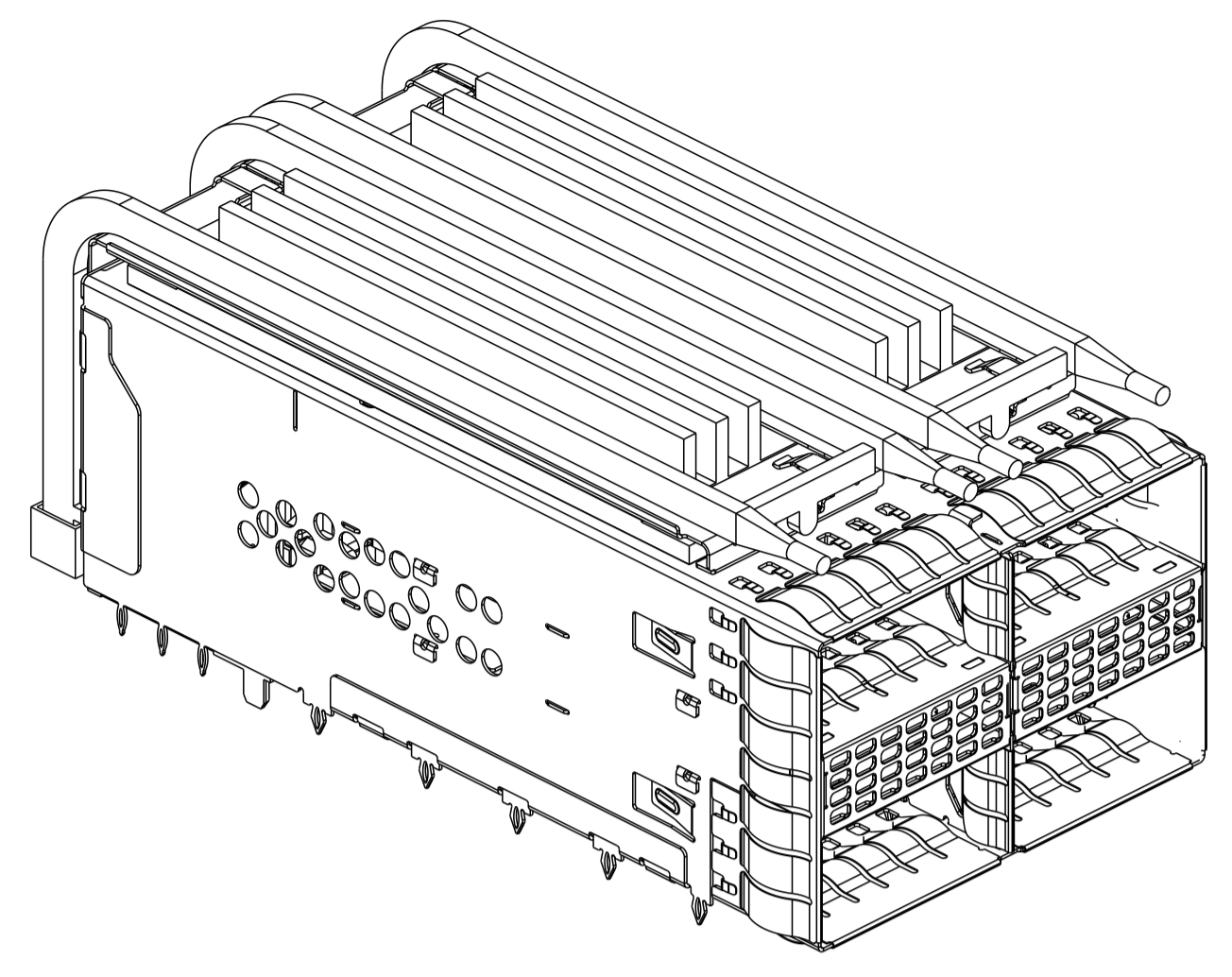
SCALE 2:1



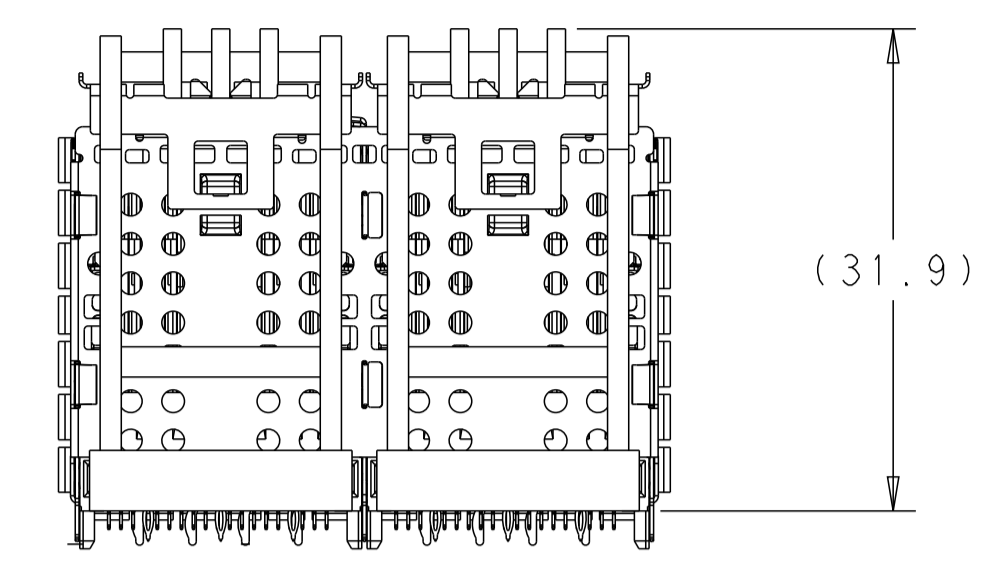
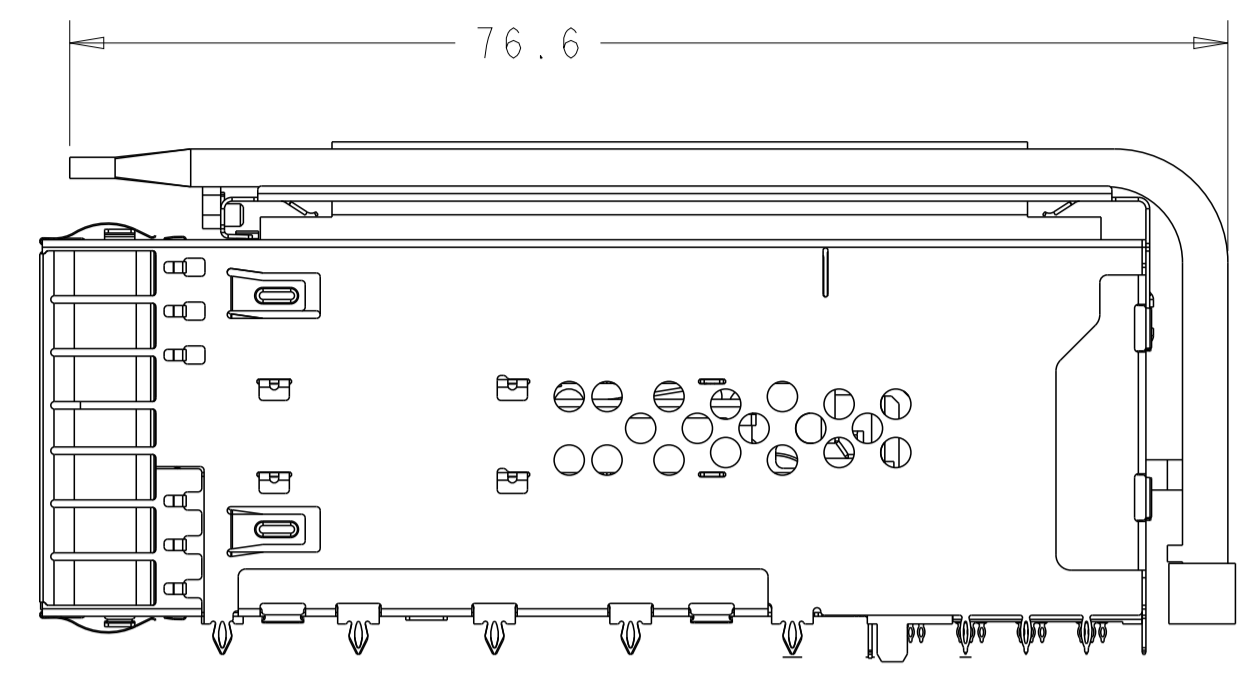
2299870-7  
SCALE 2:1

THIS DRAWING IS A CONTROLLED DOCUMENT.		OWN TIM XUE 28JAN2016	
DIMENSIONS:		CHK SEAN HAN 28JAN2016	
mm	TOLERANCES UNLESS OTHERWISE SPECIFIED:	APVD SEAN HAN 28JAN2016	NAME
0 PLC ±	1 PLC ±0.25	PRODUCT SPEC	CAGE AND CONNECTOR ASSEMBLY WITH EMI SPRING FINGERS, THRU BEZEL, 2X2 ZOSFP+ STACKED WITH HS
2 PLC ±0.15	3 PLC ±	APPLICATION SPEC	SIZE
4 PLC ±	ANGLES ±	114-60015	CAGE CODE
MATERIAL	FINISH	WEIGHT	DRAWING NO
SEE NOTE 1	SEE NOTE 2	A100779	RESTRICTED TO
CUSTOMER DRAWING		SCALE 4:1	SHEET 3 OF 15

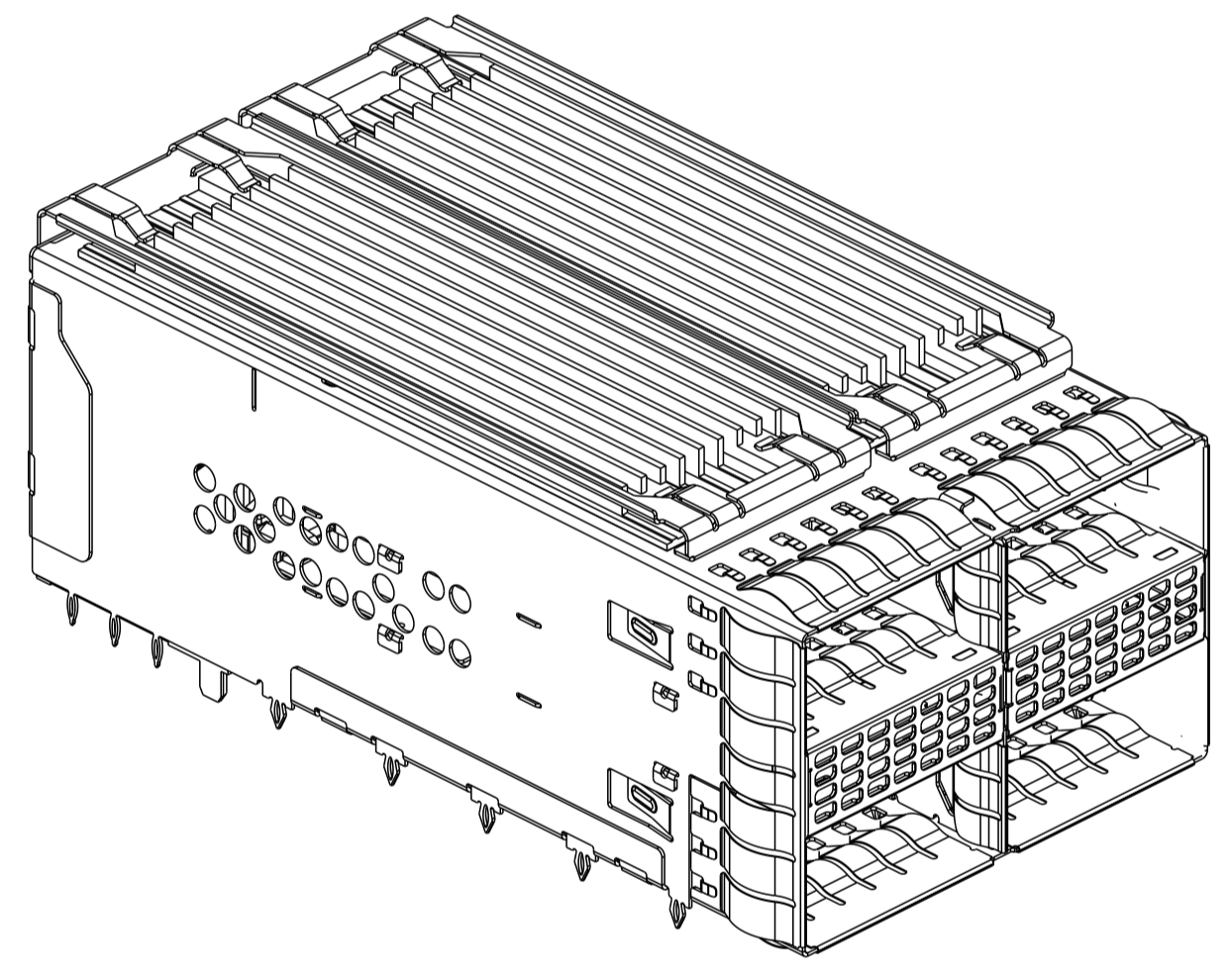
LOC		DIST		REVISIONS				
P	LYR	DATE	OWN	APVD	DESCRIPTION	DATE	OWN	APVD
-	-	SEE SHEET 1	-	-	-	-	-	-



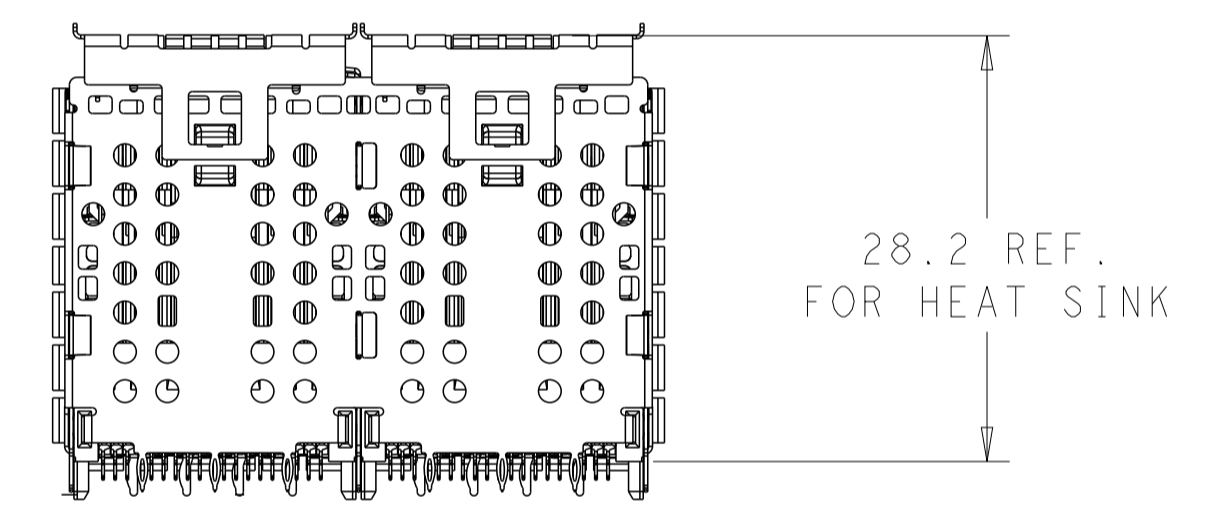
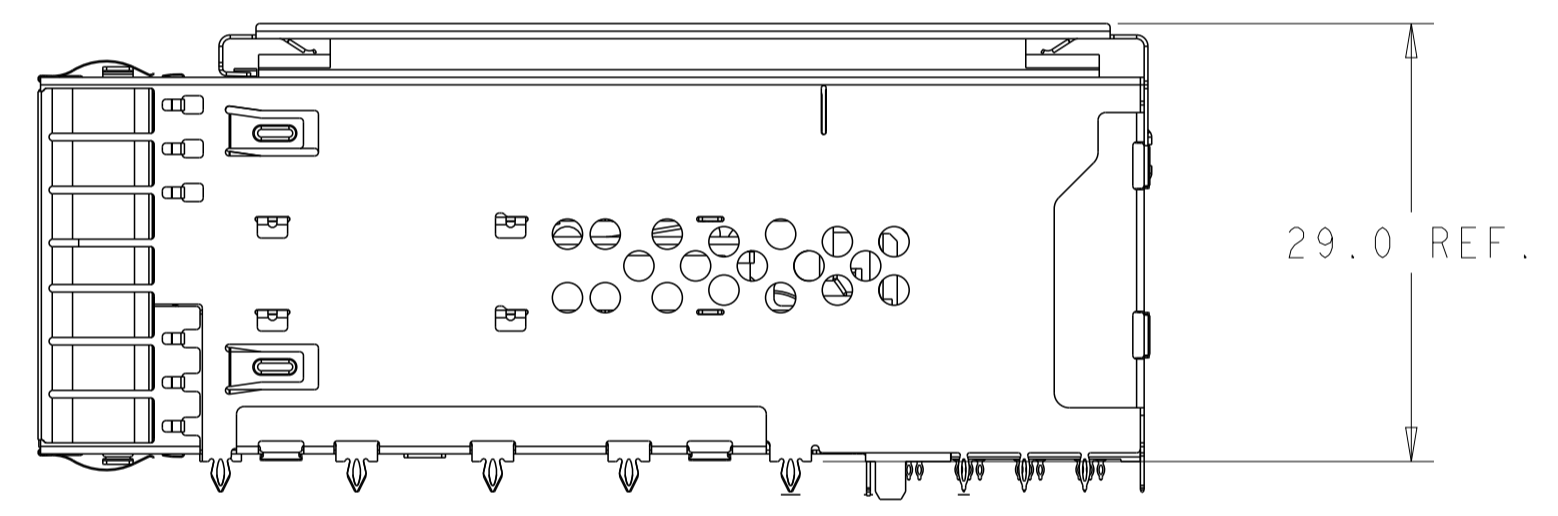
1-2299870-0  
SCALE 2:1



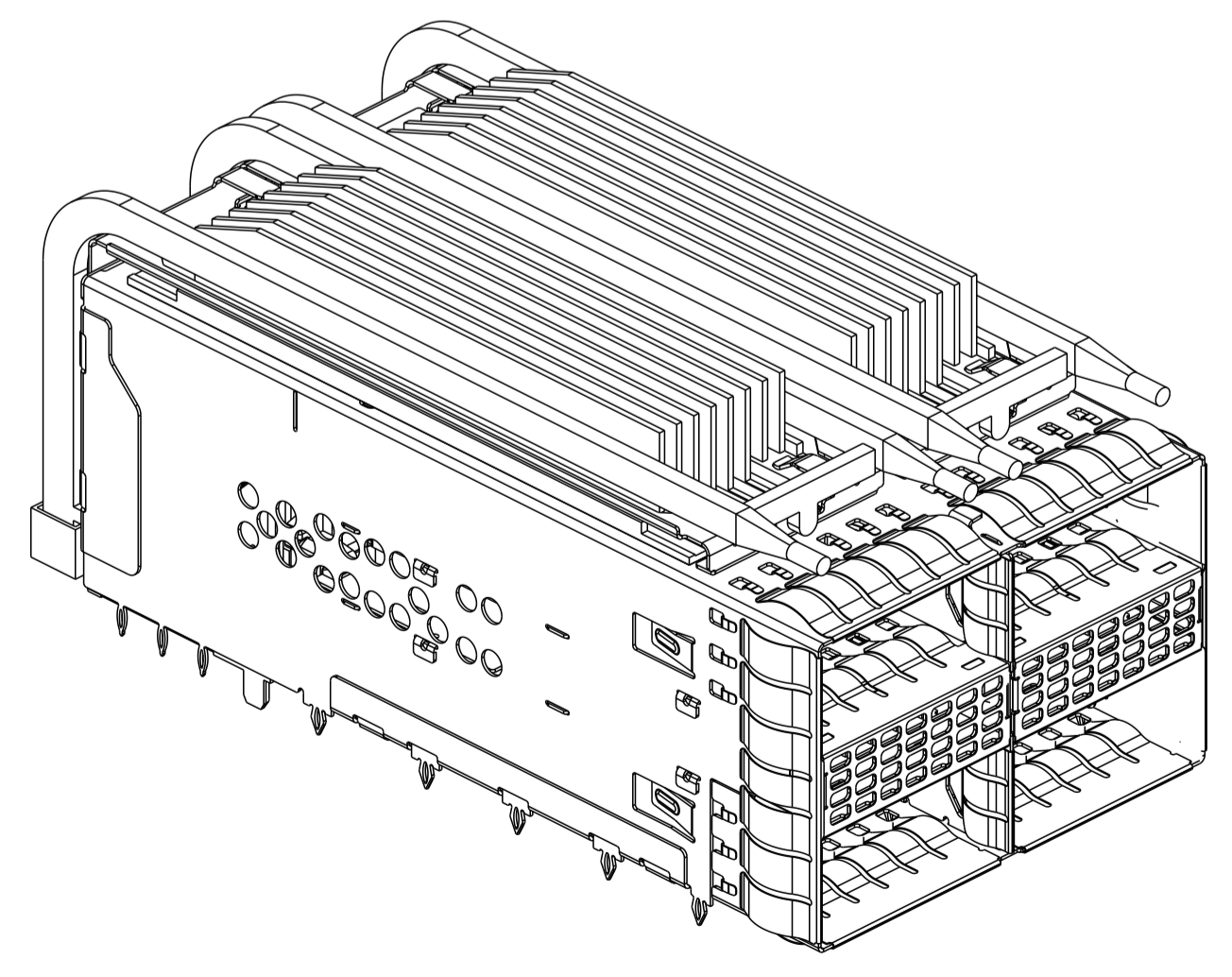
1-2299870-0  
SCALE 2:1



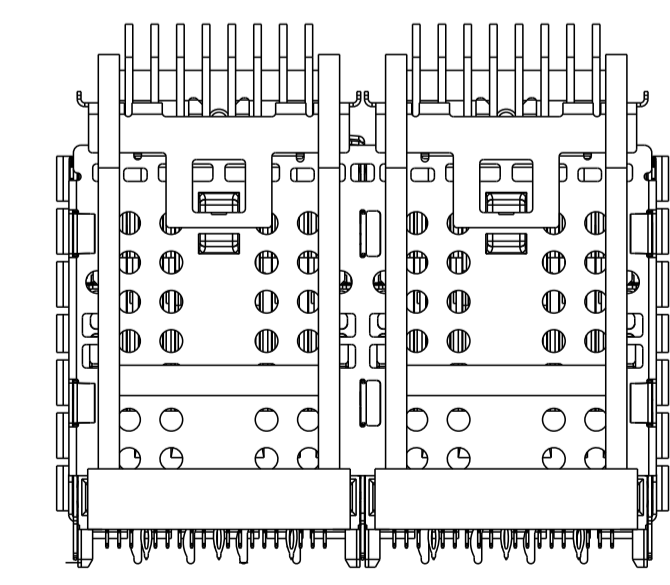
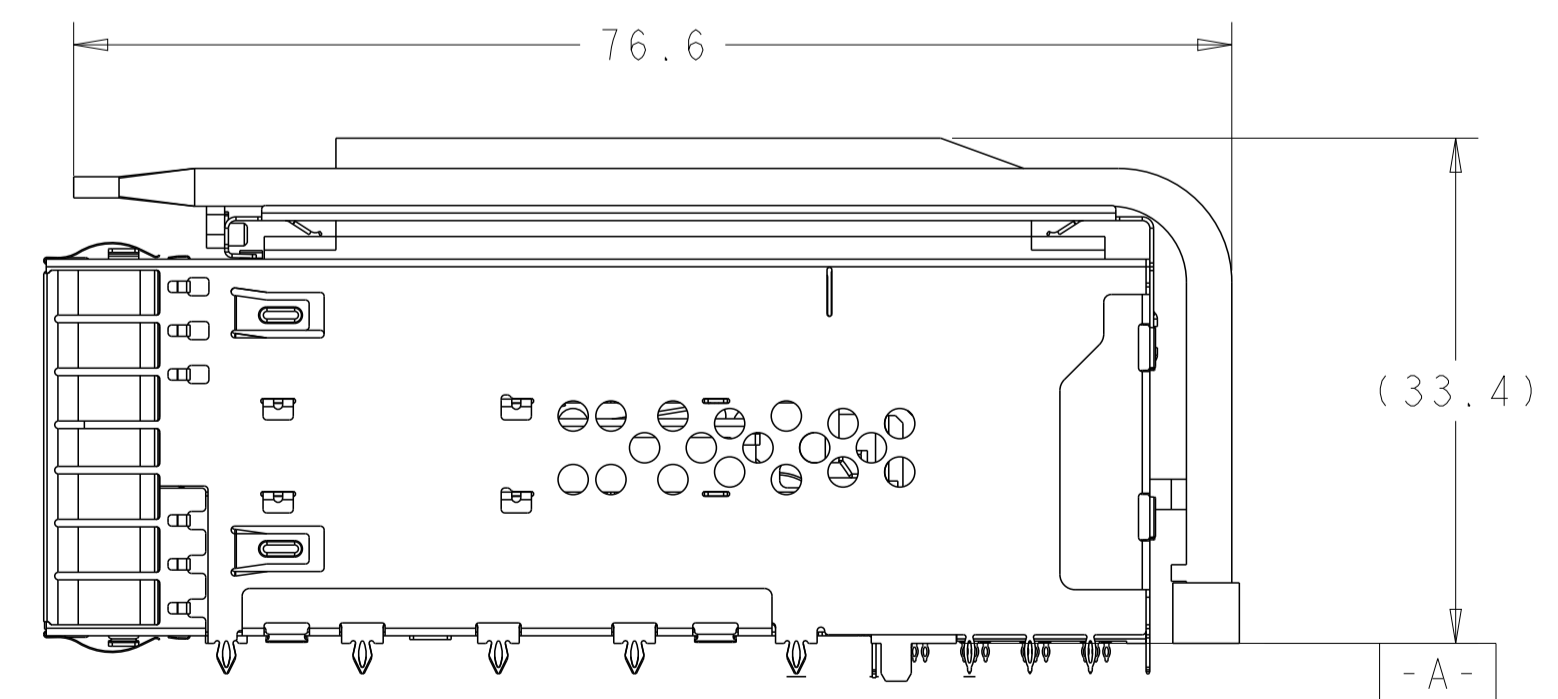
1-2299870-6  
SCALE 2:1



SCALE 2:1



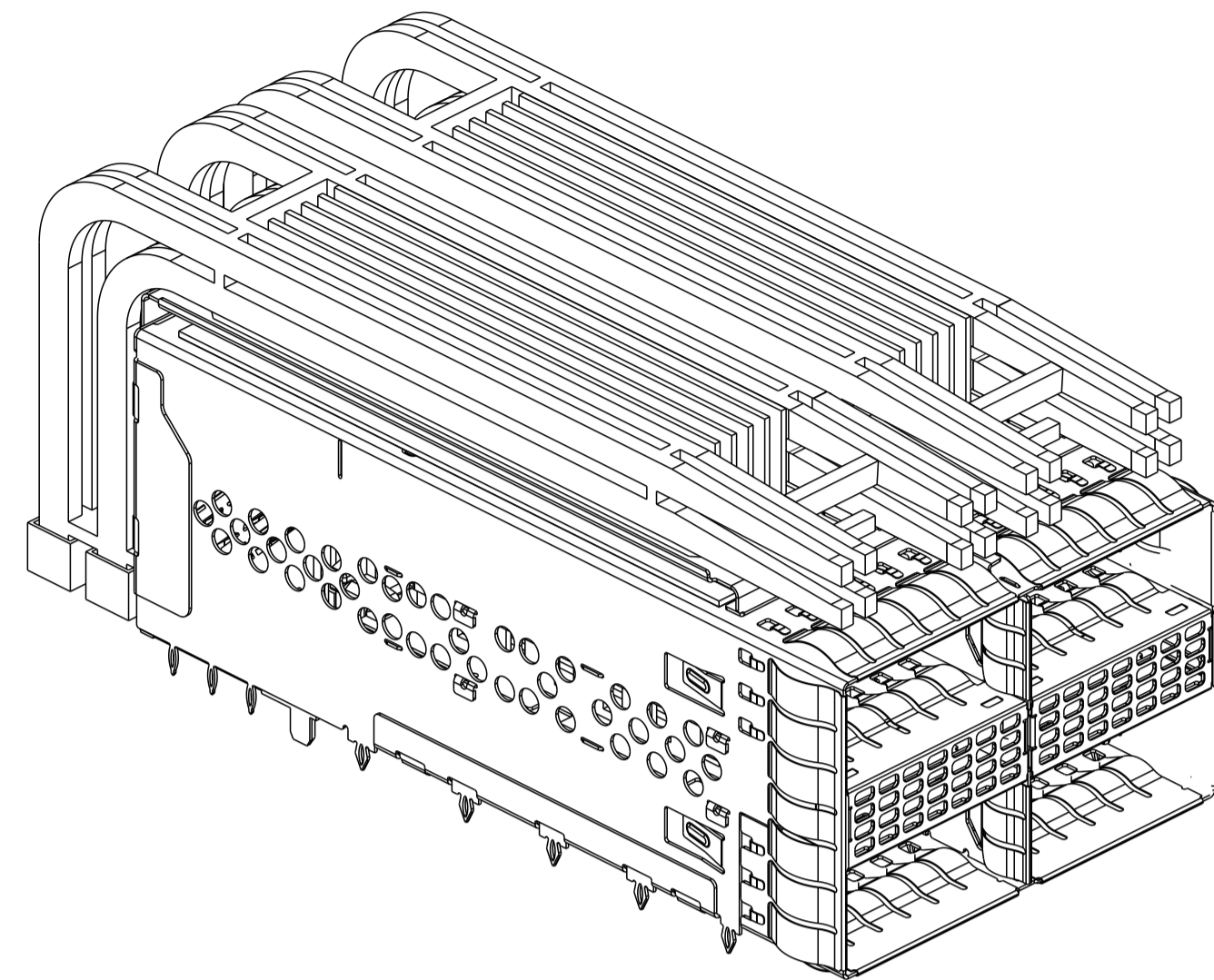
1-2299870-8  
2-2299870-8  
3-2299870-8  
SCALE 2:1



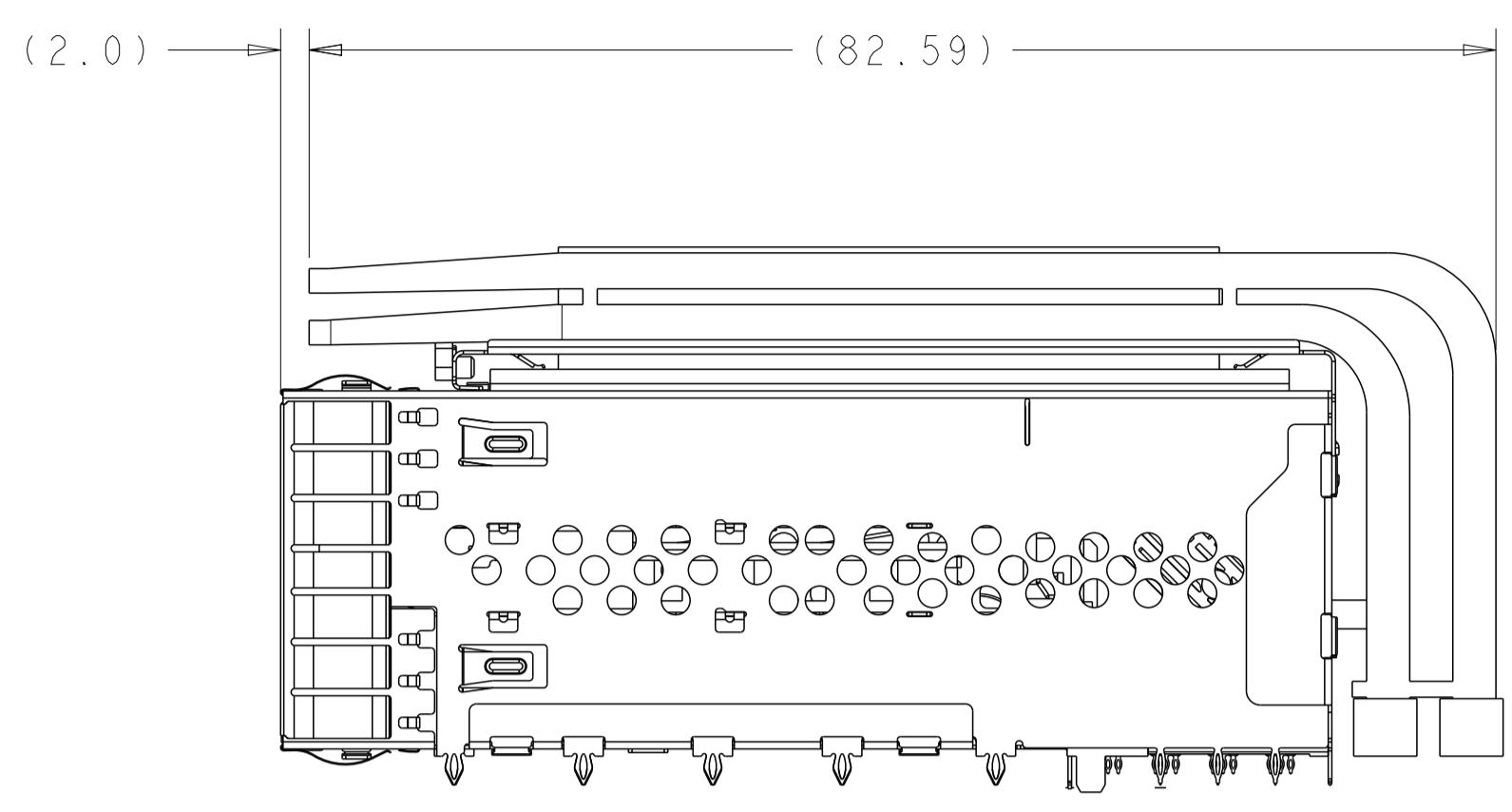
1-2299870-8  
2-2299870-8  
3-2299870-8  
SCALE 2:1

THIS DRAWING IS A CONTROLLED DOCUMENT.		OWN TIM XUE 28JAN2016	TE Connectivity
DIMENSIONS:		CHK SEAN HAN 28JAN2016	
mm	TOLERANCES UNLESS OTHERWISE SPECIFIED:	APVD SEAN HAN 28JAN2016	NAME
0 PLC ±	1 PLC ±0.25	PRODUCT SPEC	CAGE AND CONNECTOR ASSEMBLY WITH
2 PLC ±0.15	3 PLC ±	APPLICATION SPEC	EMI SPRING FINGERS, THRU BEZEL,
4 PLC ±	ANGLES ±	108-60102	2X2 ZQSF+ STACKED WITH HS
MATERIAL	FINISH	114-60015	SIZE
SEE NOTE 1	SEE NOTE 2	WEIGHT	CAGE CODE
		CUSTOMER DRAWING	DRAWING NO
		A100779	D=2299870
		SCALE 4:1	SHEET 4 OF 15

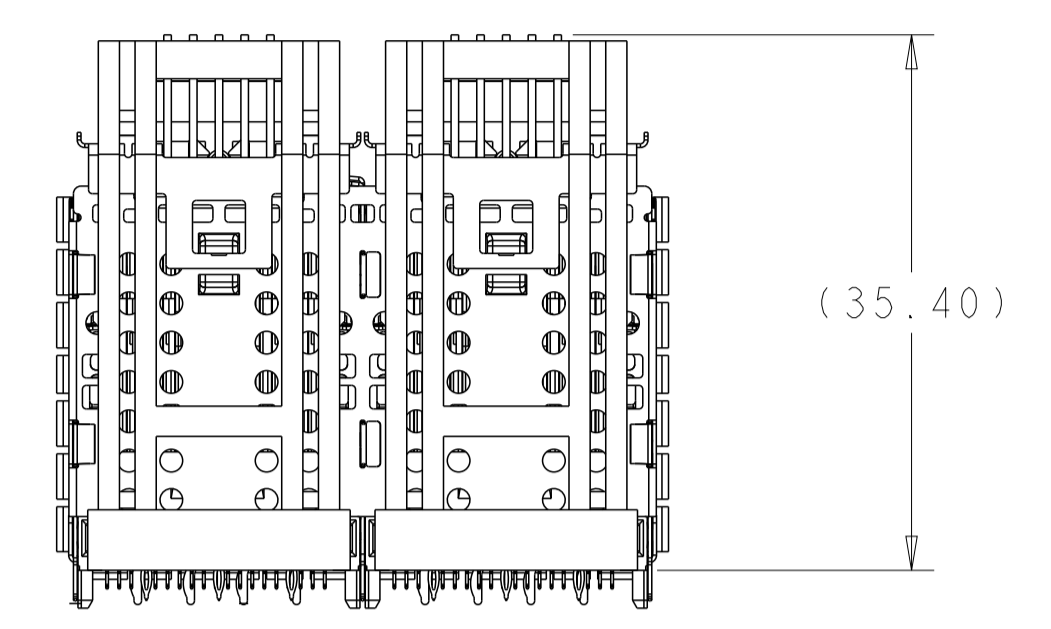
LOC	DIST	REVISIONS			
P	LYR	DESCRIPTION	DATE	DMN	APVD
-	-	SEE SHEET 1	-	-	-



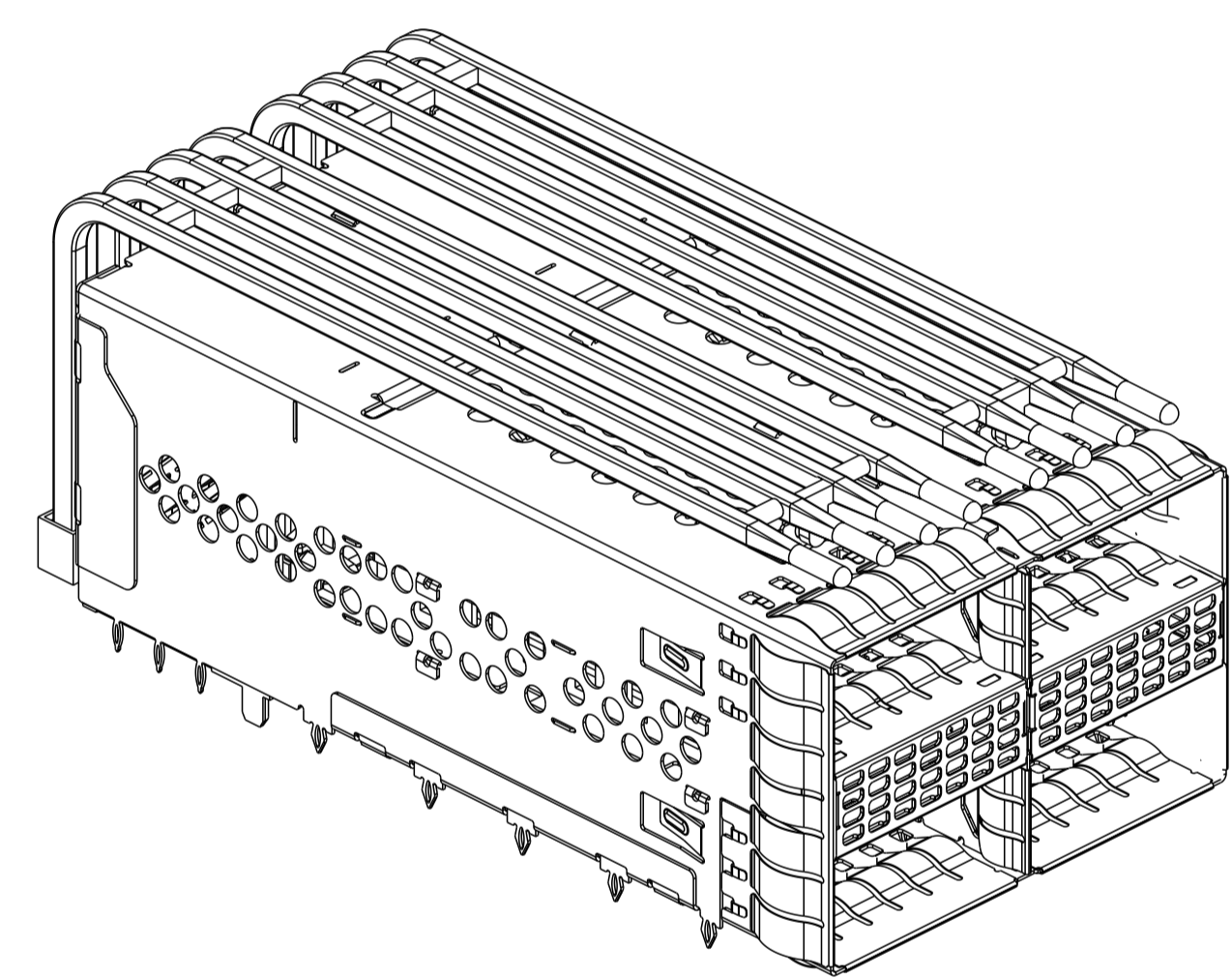
1-2299870-5  
SCALE 2:1



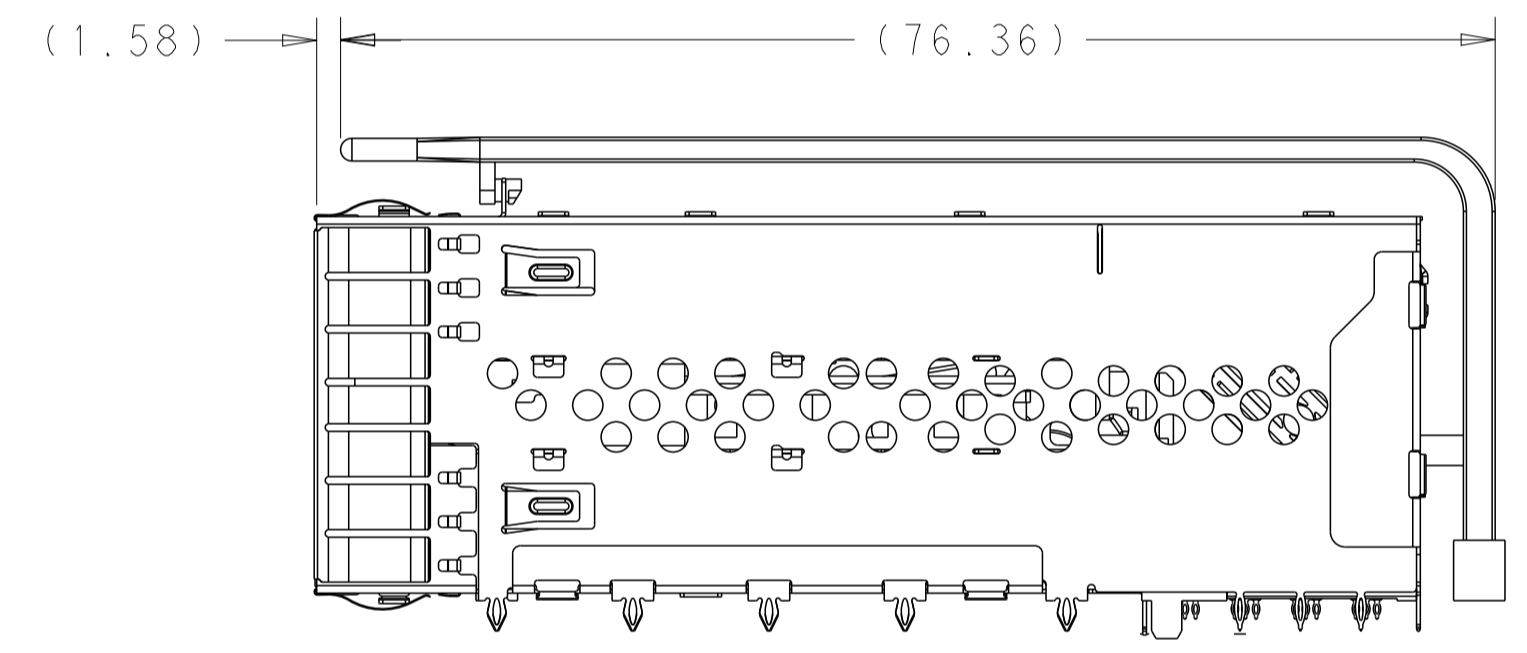
SCALE 2:1



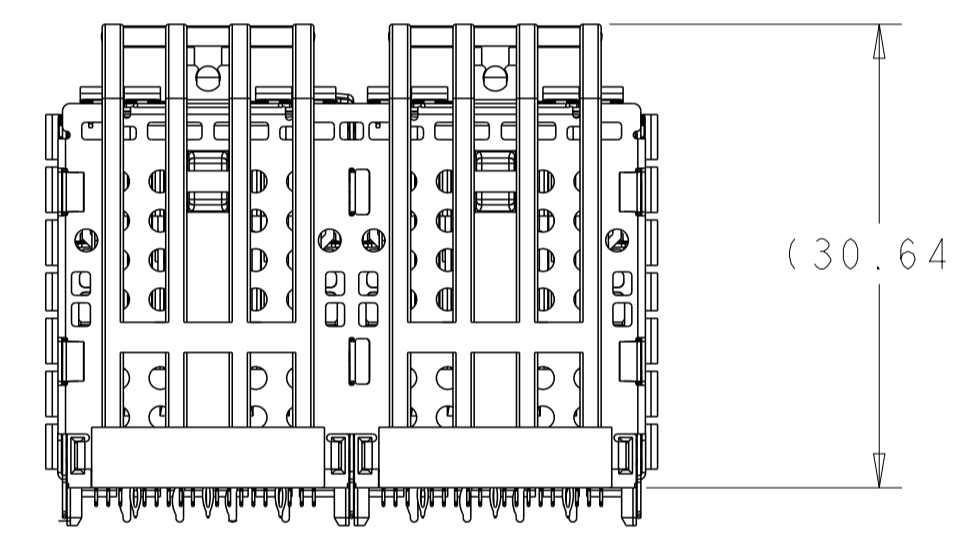
(35.40)



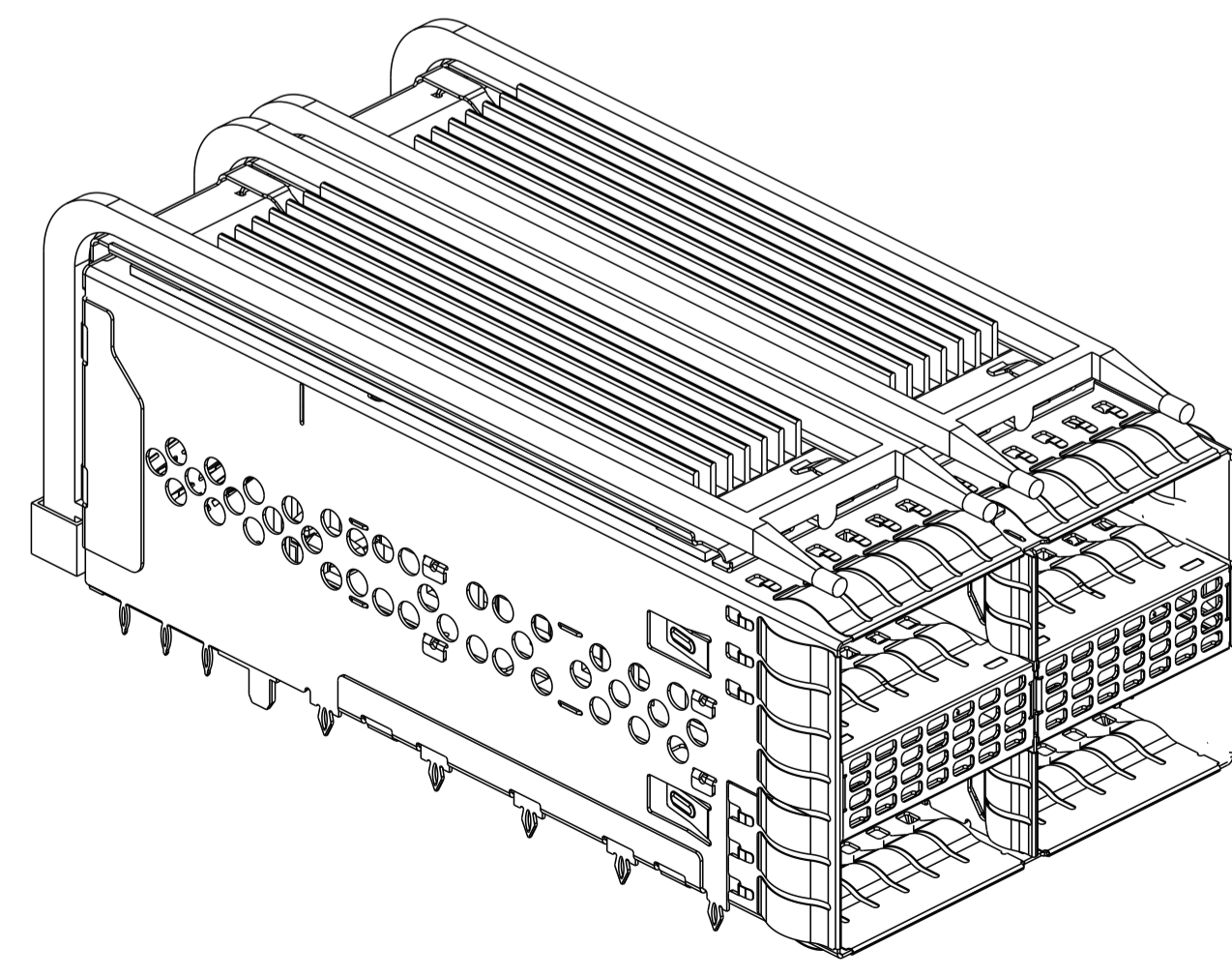
2-2299870-5  
SCALE 2:1



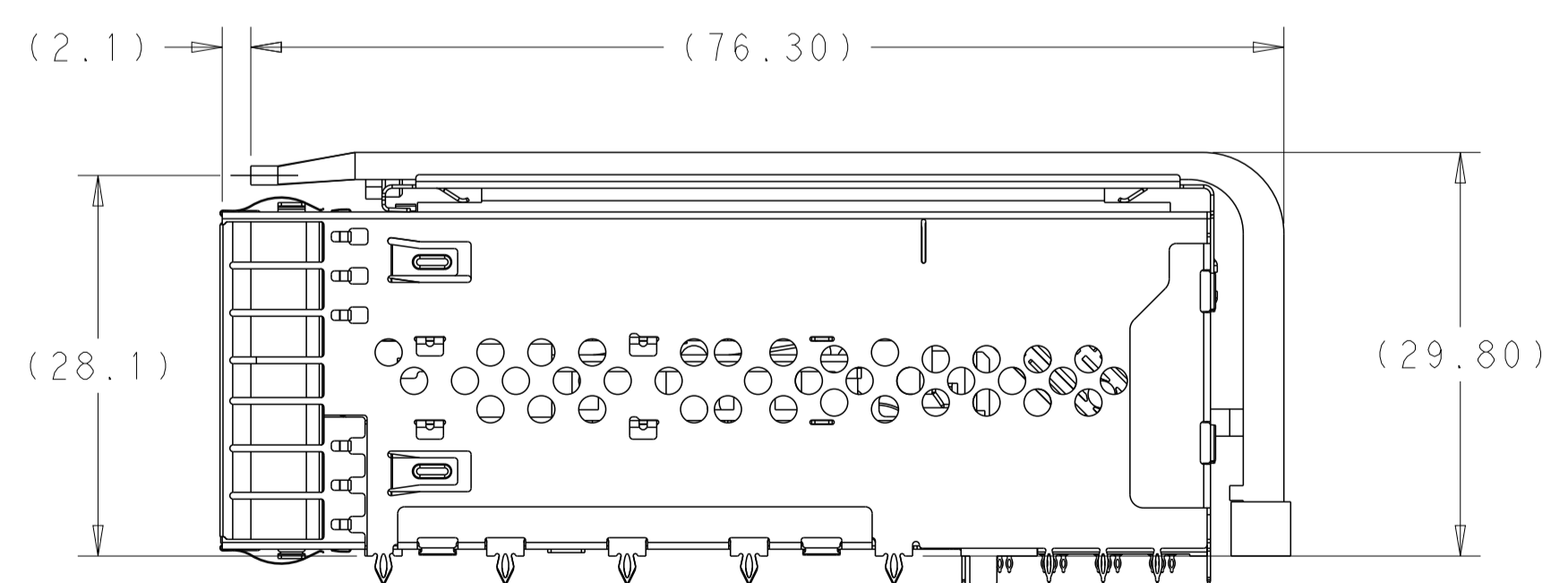
SCALE 2:1



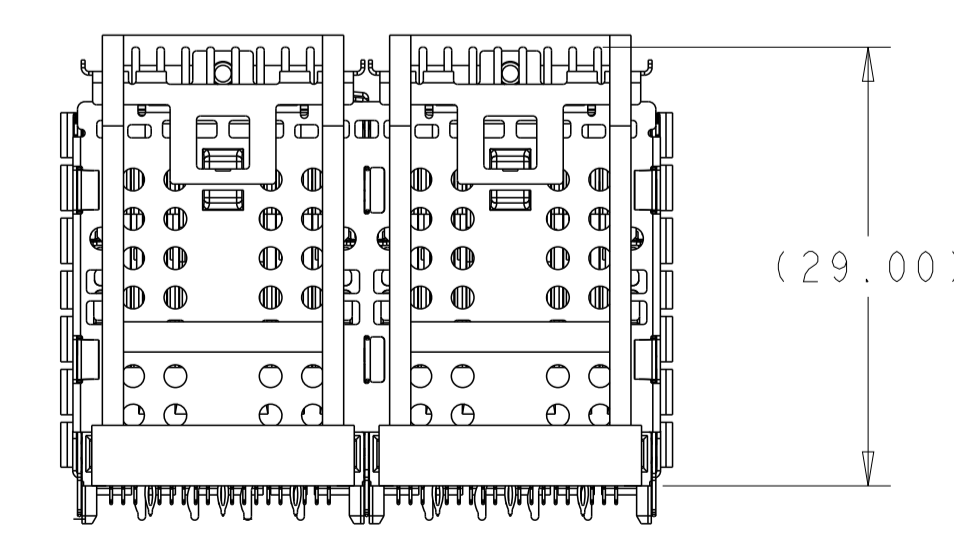
(30.64)



2-2299870-0  
SCALE 2:1



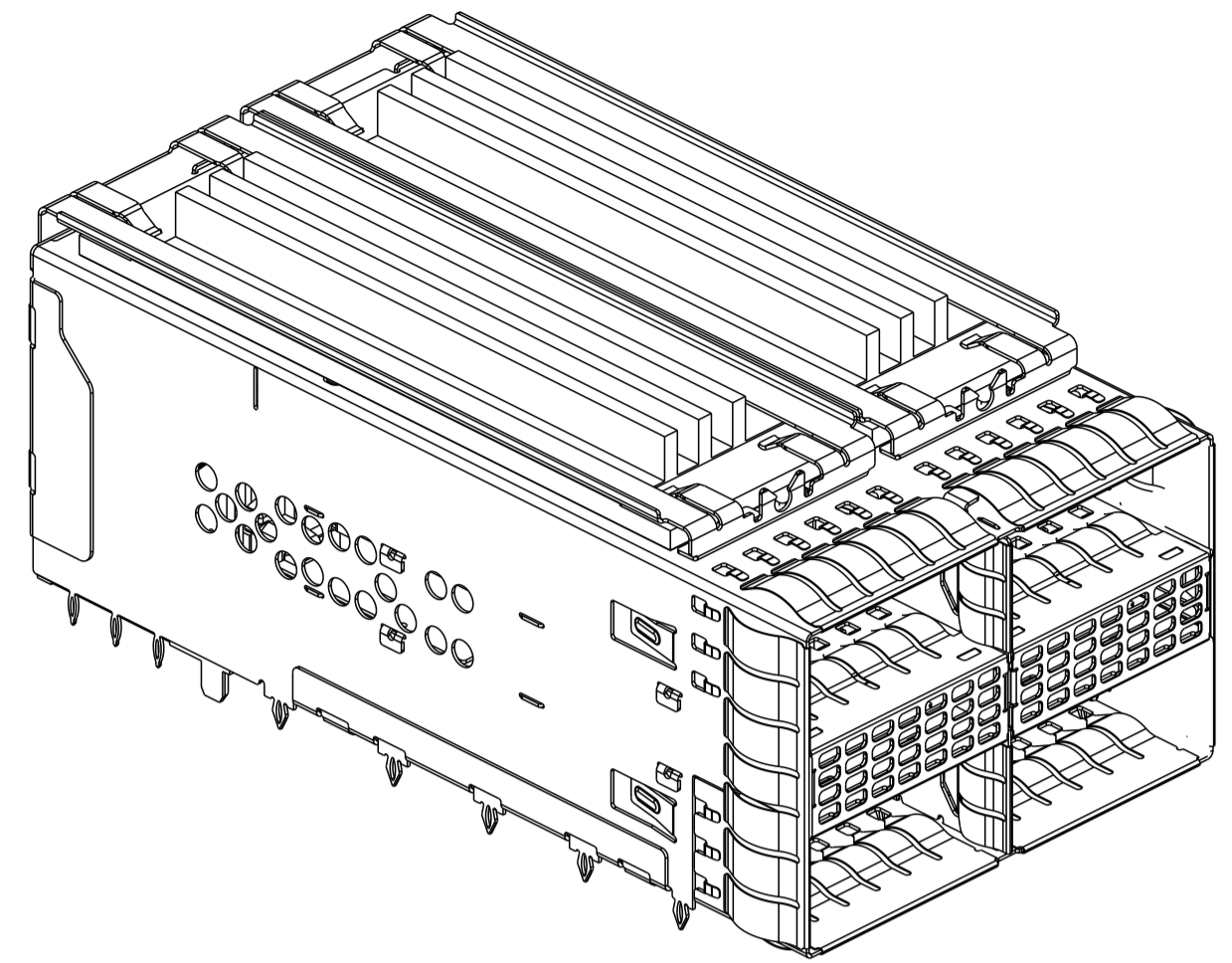
SCALE 2:1



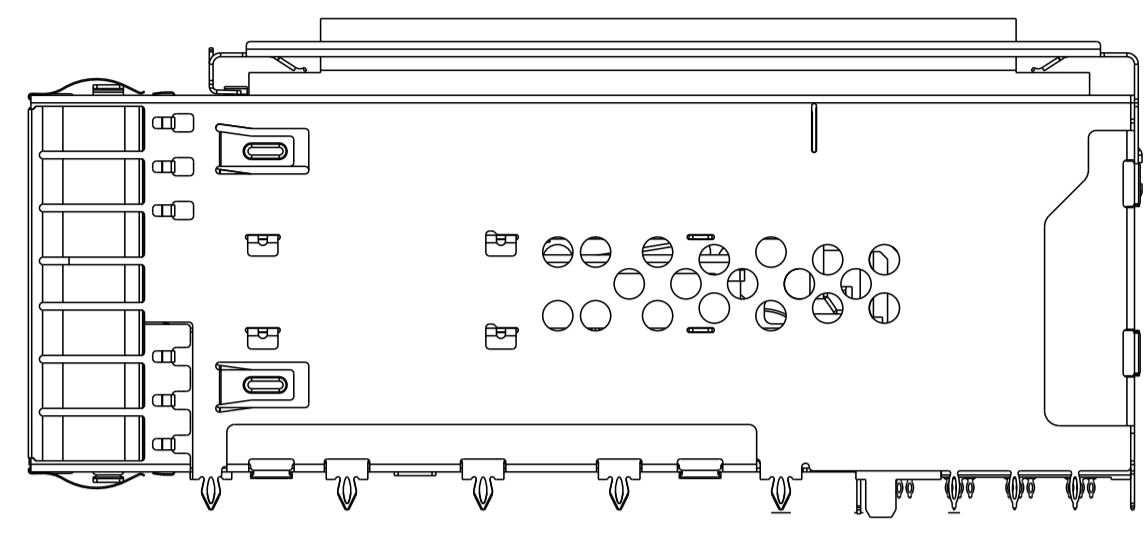
(29.00)

THIS DRAWING IS A CONTROLLED DOCUMENT.		DMN TIM XUE 28JAN2016	TE Connectivity
DIMENSIONS:		CHK SEAN HAN 28JAN2016	
mm	TOLERANCES UNLESS OTHERWISE SPECIFIED:	APVD SEAN HAN 28JAN2016	NAME
	0 PLC ± 1 PLC ±0.25 2 PLC ±0.15 3 PLC ± 4 PLC ± ANGLES ± FINISH ±	PRODUCT SPEC	CAGE AND CONNECTOR ASSEMBLY WITH EMI SPRING FINGERS, THRU BEZEL, 2X2 ZQSF+ STACKED WITH HS
MATERIAL	SEE NOTE 1	APPLICATION SPEC	SIZE
	SEE NOTE 2	114-60015	CAGE CODE
		WEIGHT	DRAWING NO
			A100779C=2299870
		CUSTOMER DRAWING	RESTRICTED TO
		SCALE 4:1	SHEET 5 OF 15

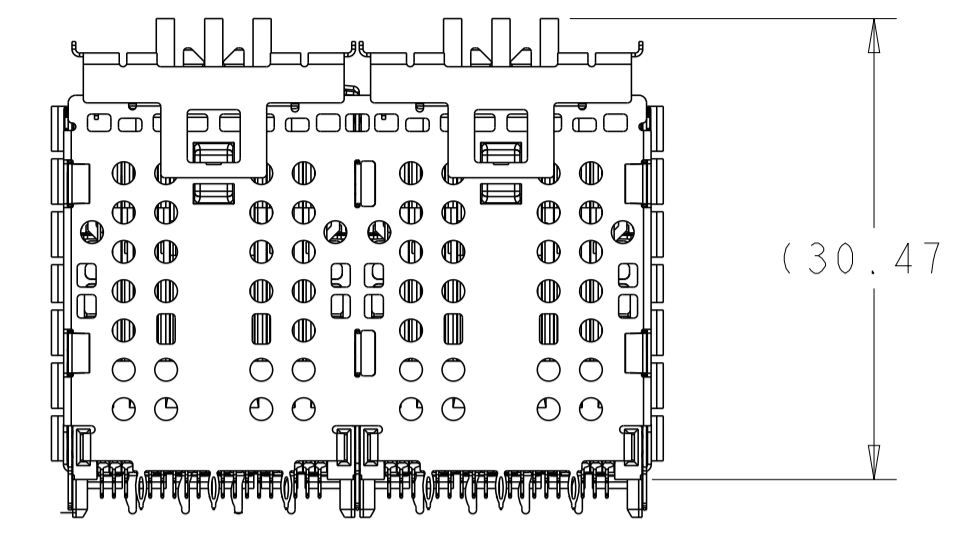
LOC		DIST		REVISIONS			
P	LYR	DESCRIPTION	DATE	OWN	APVD		
-	-	SEE SHEET 1	-	-	-		



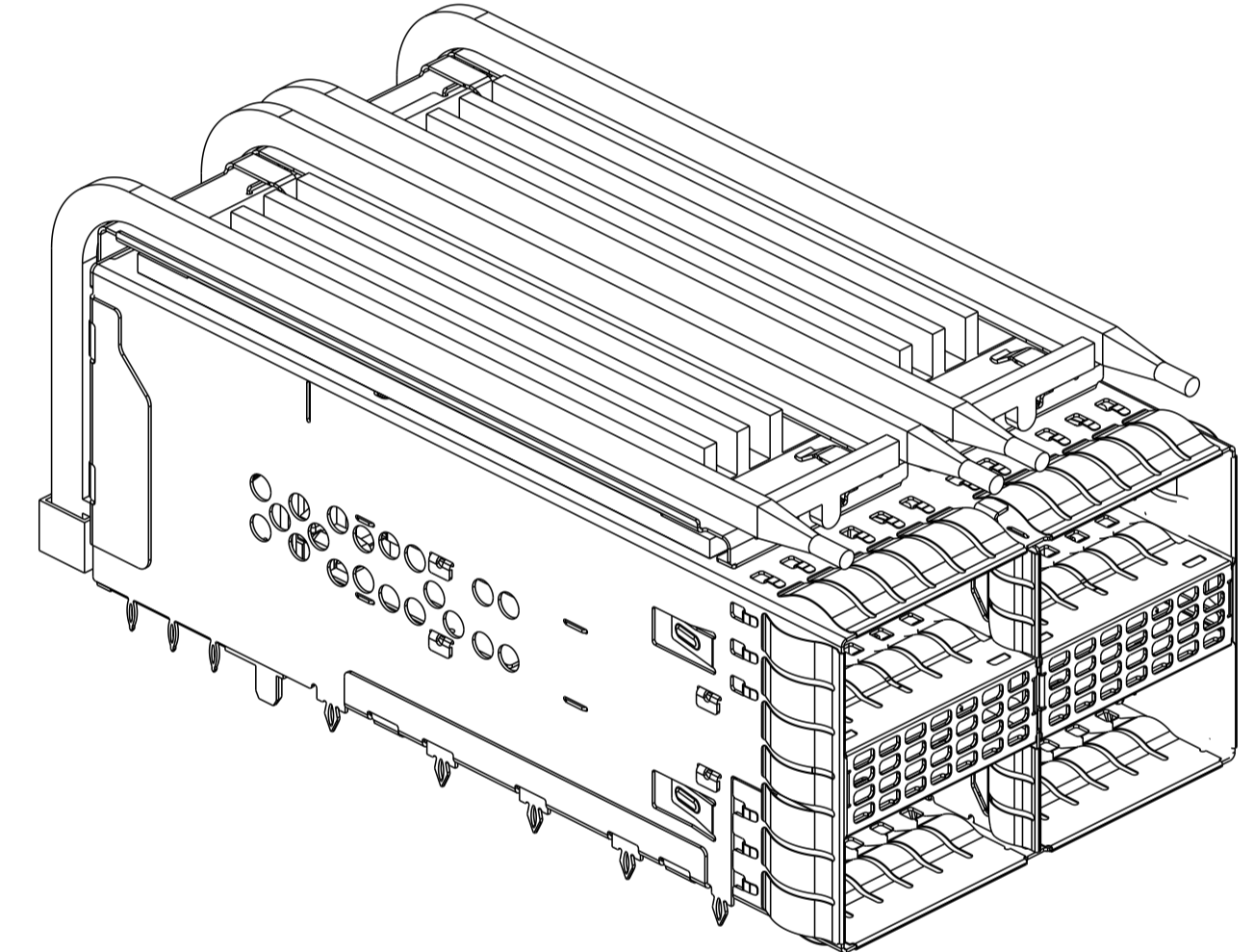
2-2299870-2  
SCALE 2:1



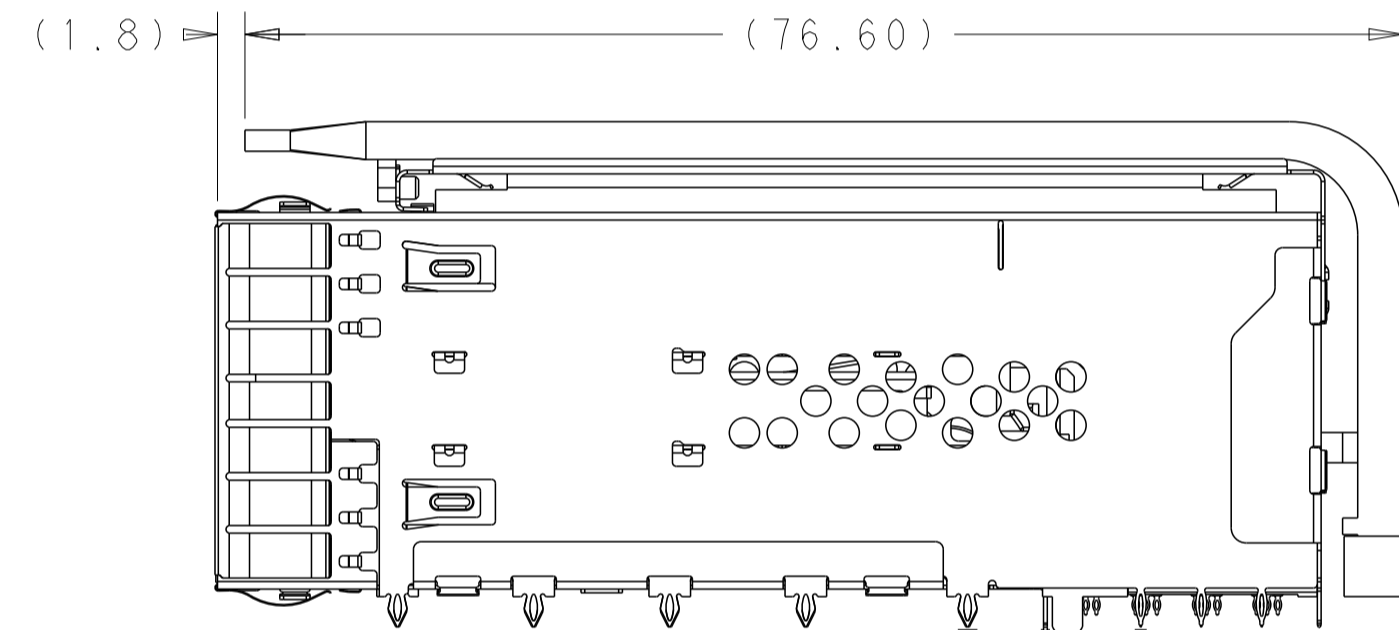
SCALE 2:1



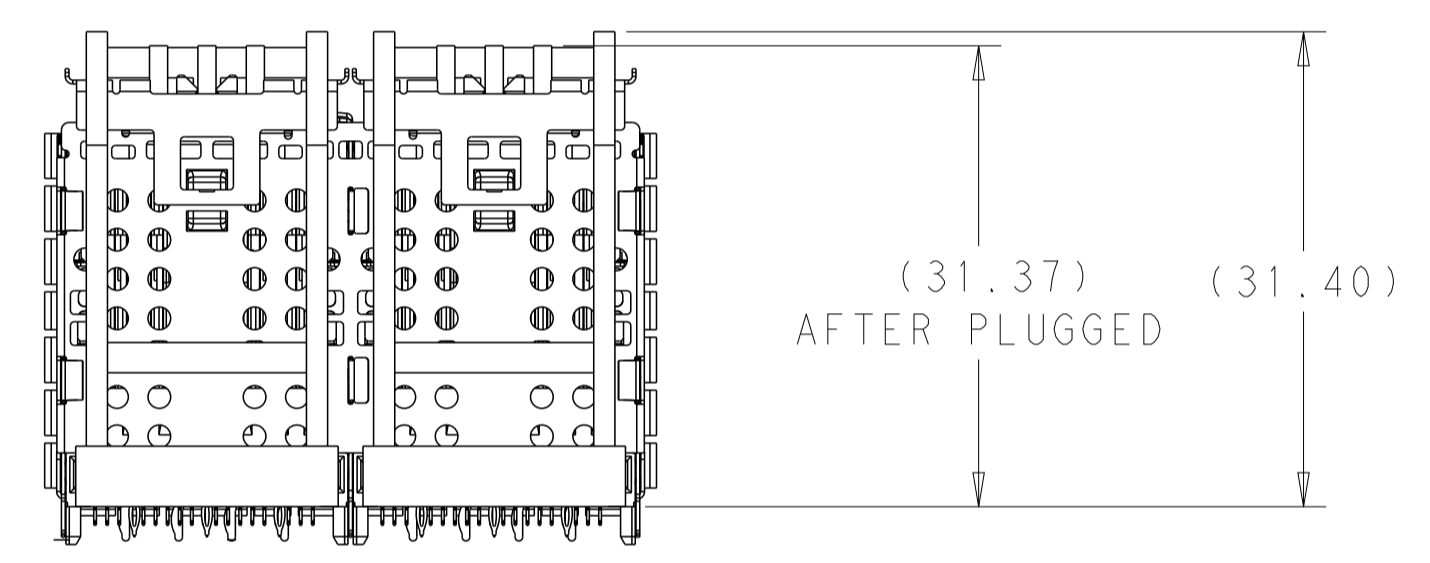
(30.47)



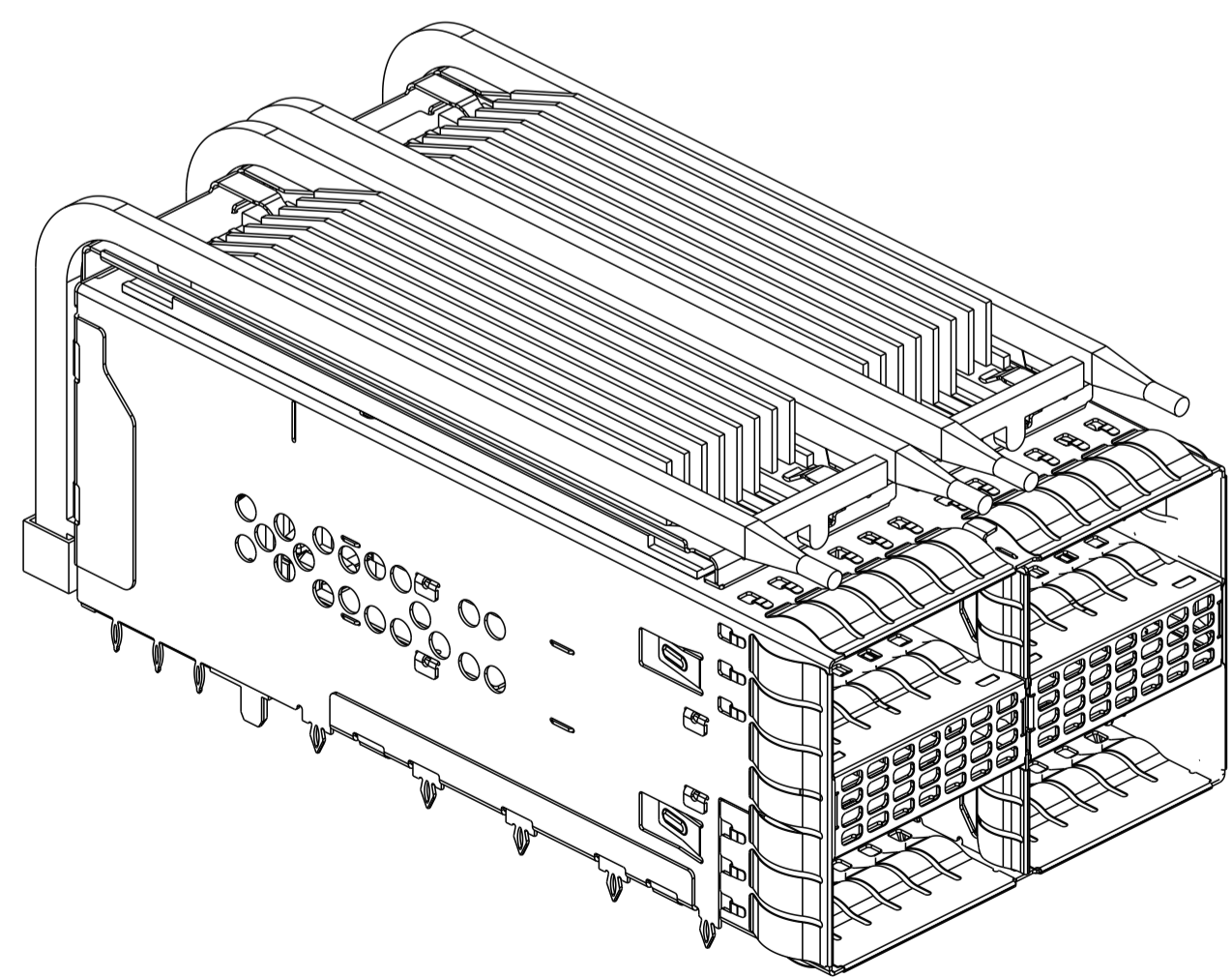
2-2299870-3  
SCALE 2:1



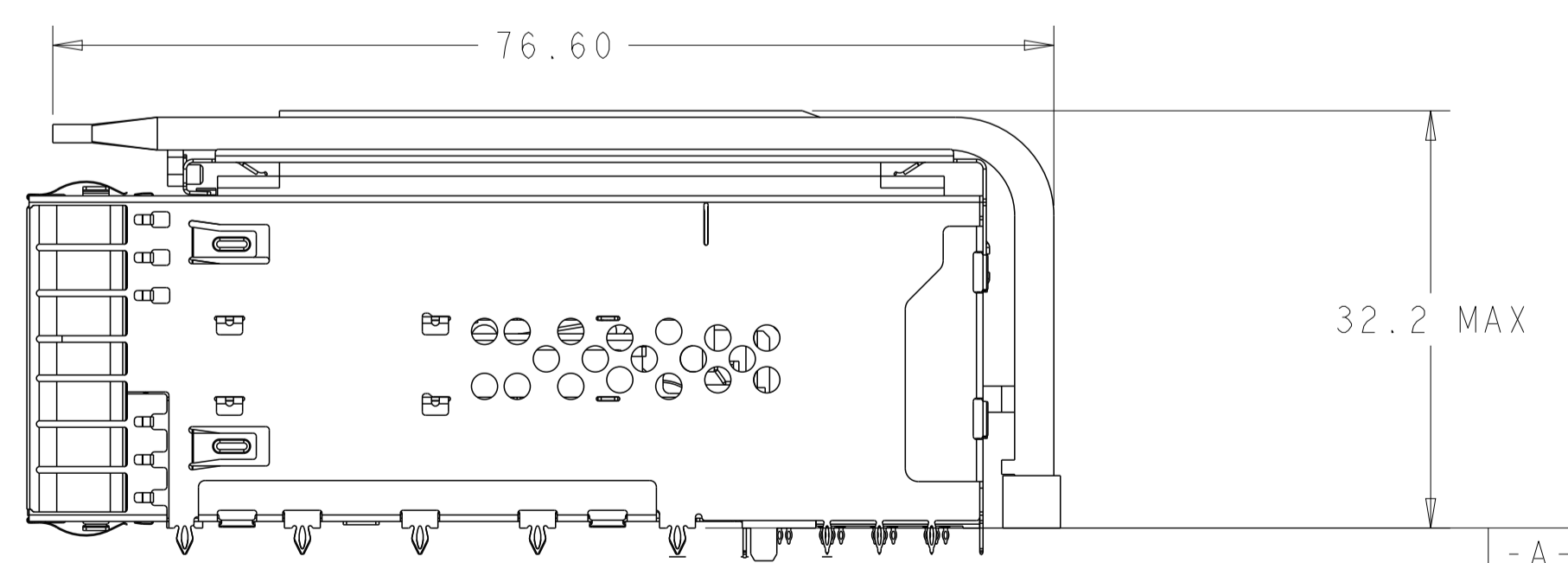
SCALE 2:1



(31.37) (31.40)  
AFTER PLUGGED

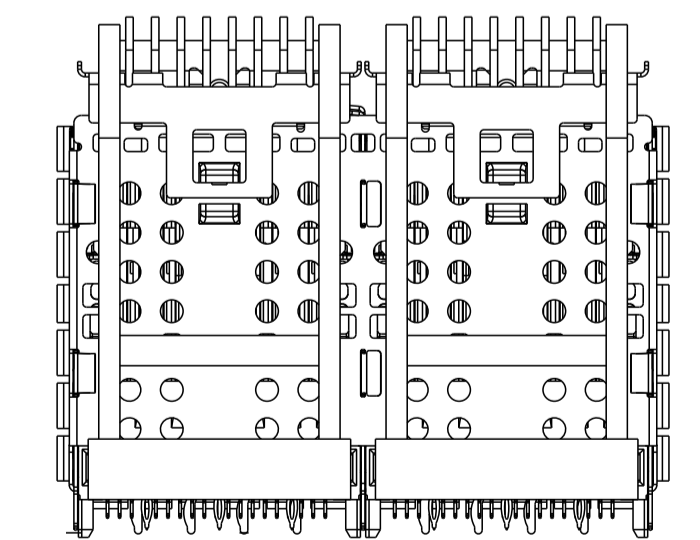


1-2299870-9  
SCALE 2:1



32.2 MAX

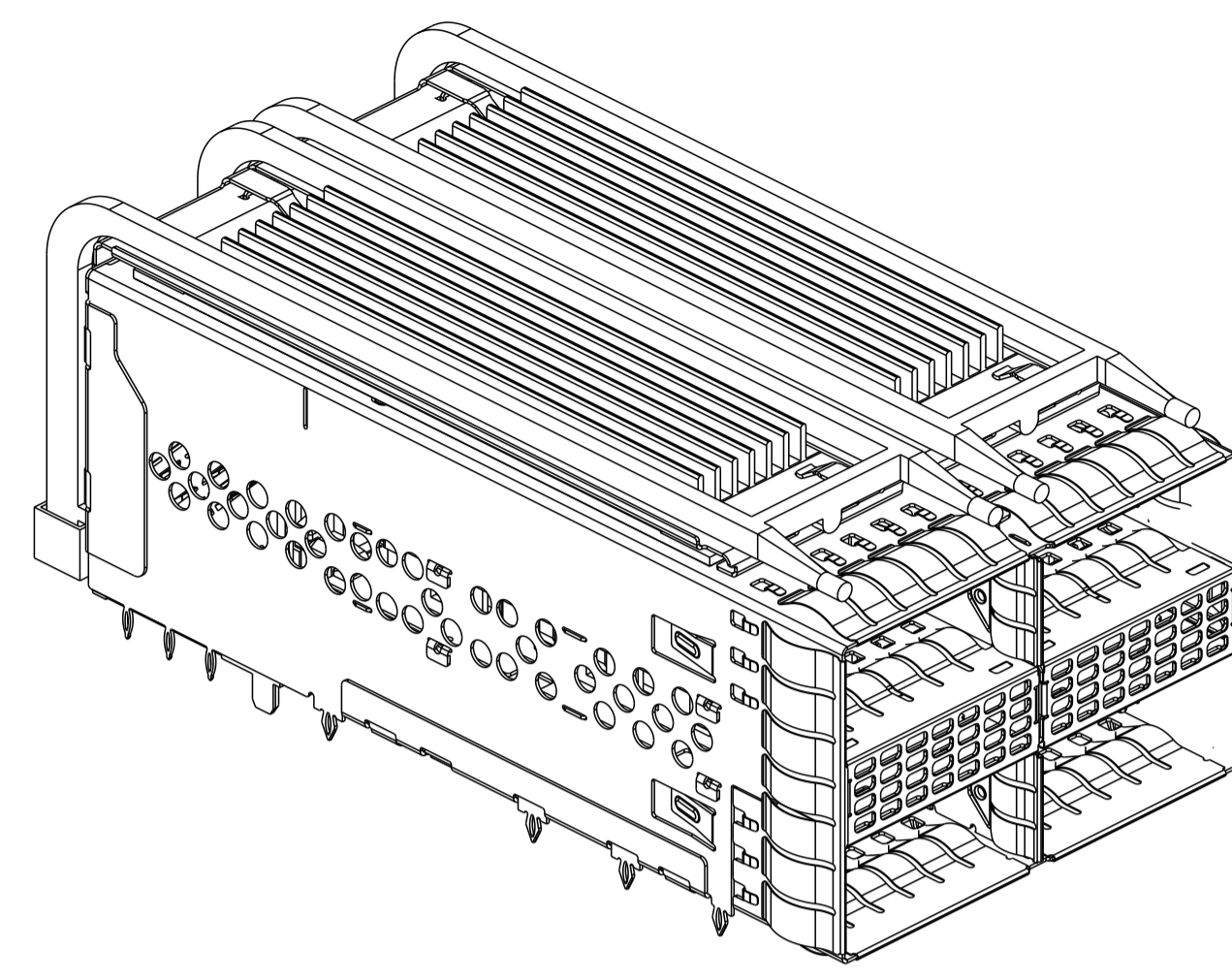
- A -



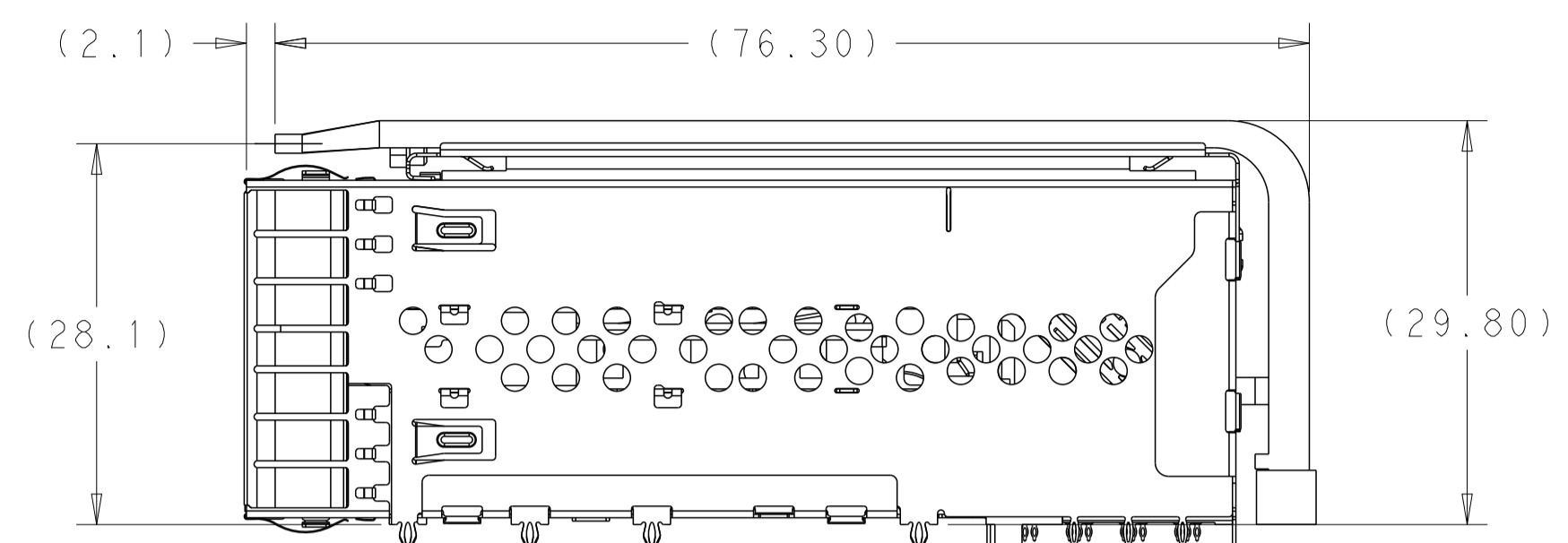
1-2299870-9  
SCALE 2:1

THIS DRAWING IS A CONTROLLED DOCUMENT.		OWN TIM XUE 28JAN2016	
DIMENSIONS:		CHK SEAN HAN 28JAN2016	
mm	TOLERANCES UNLESS OTHERWISE SPECIFIED:	APVD SEAN HAN 28JAN2016	NAME
0 PLC ±	1 PLC ±0.25	PRODUCT SPEC	CAGE AND CONNECTOR ASSEMBLY WITH
2 PLC ±0.15	3 PLC ±	108-60102	EMI SPRING FINGERS, THRU-BEZEL,
4 PLC ±	ANGLES ±	APPLICATION SPEC	2X2 ZQSF+ STACKED WITH HS
MATERIAL	FINISH	114-60015	SIZE
SEE NOTE 1	SEE NOTE 2	WEIGHT	CAGE CODE
		CUSTOMER DRAWING	DRAWING NO
		A100779	RESTRICTED TO
		SCALE 4:1	SHEET 6 OF 15
		REV J	

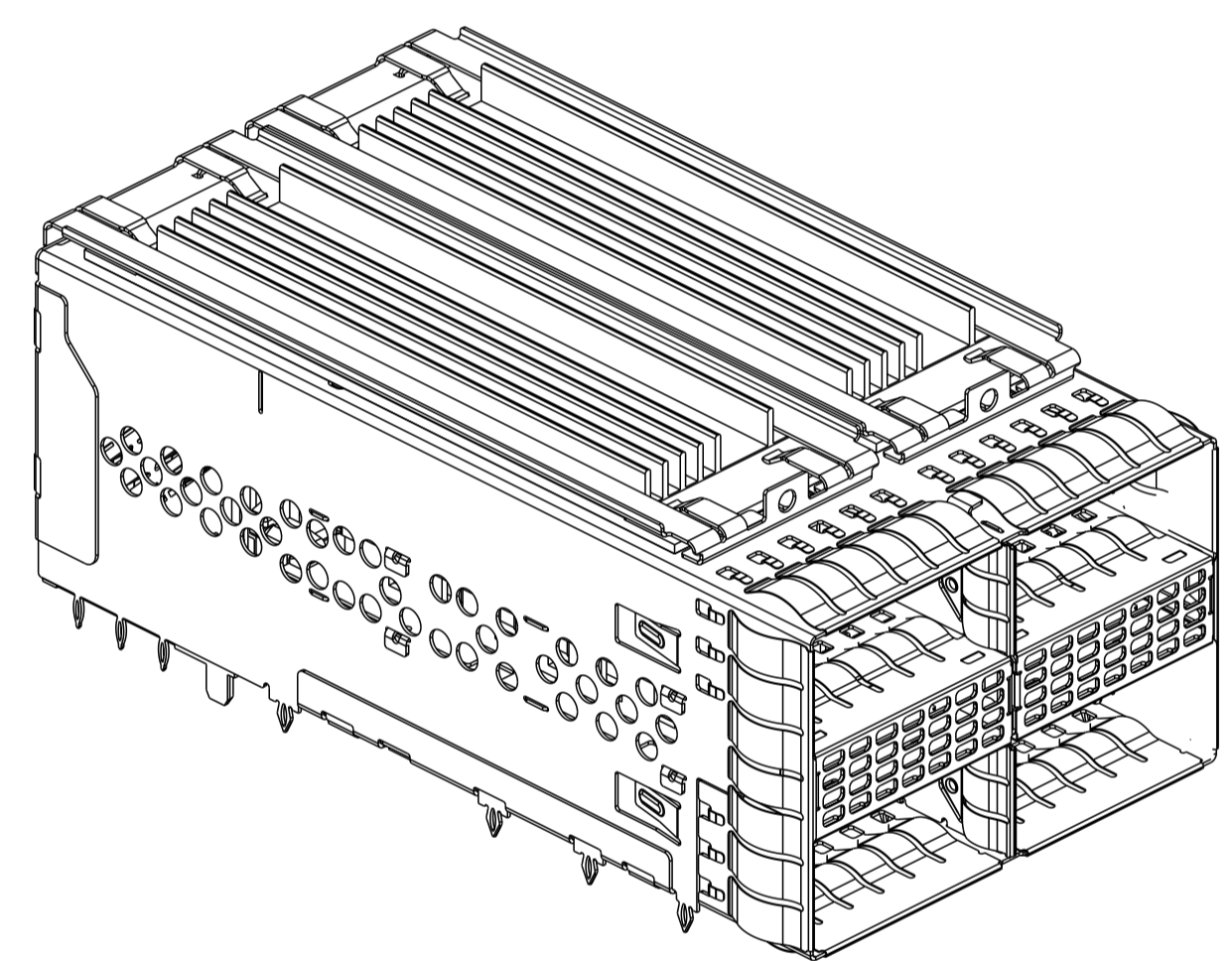
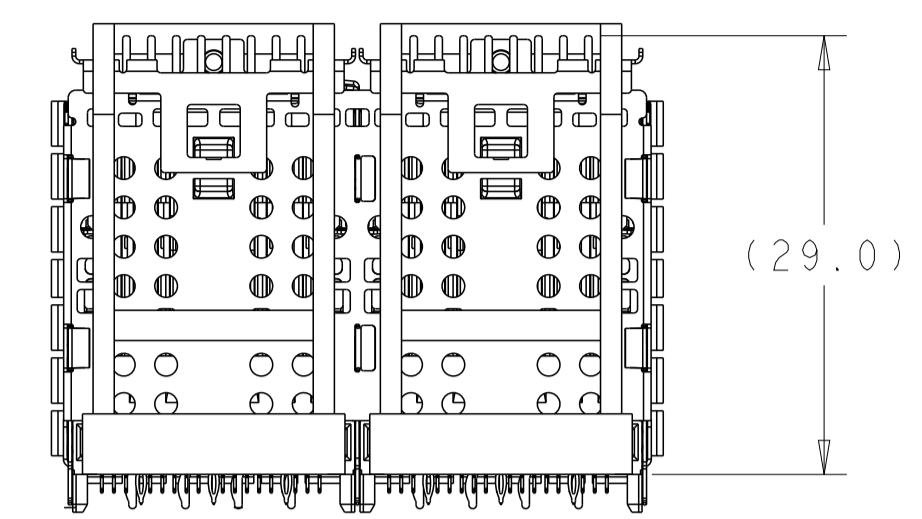
LOC		DIST		REVISIONS			
GP	00	P	LYR	DESCRIPTION	DATE	OWN	APVD
-	-	-	-	SEE SHEET 1	-	-	-



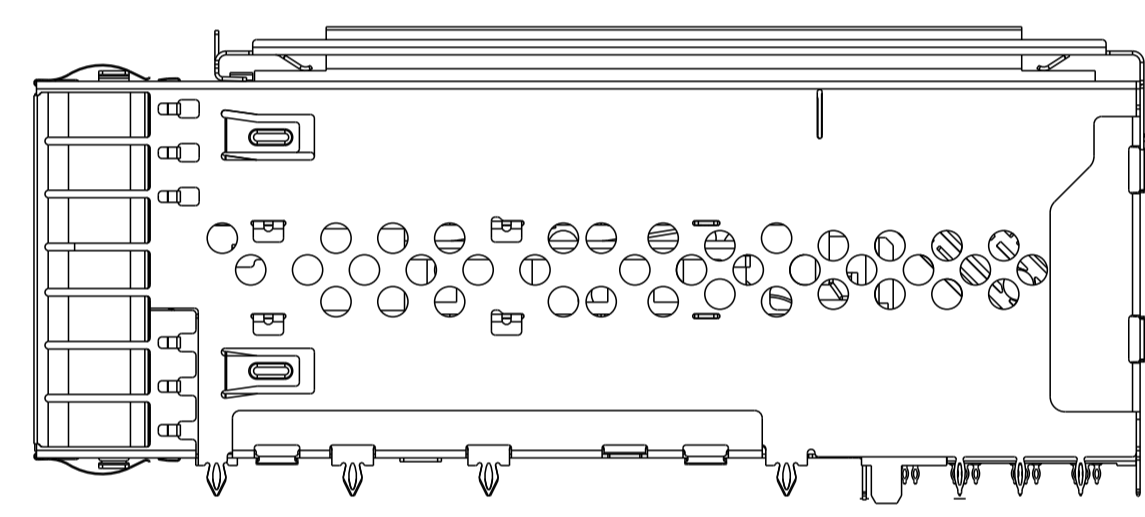
3-2299870-0  
SCALE 2:1



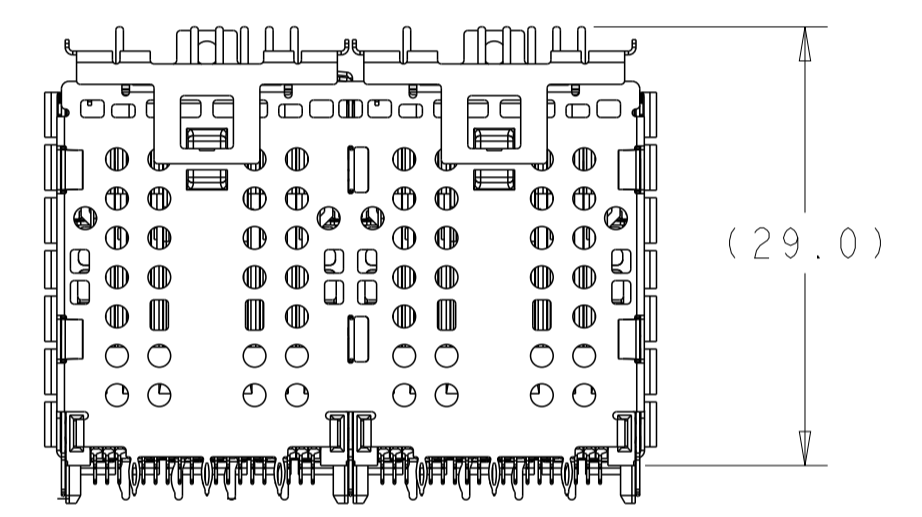
SCALE 2:1



3-2299870-1  
SCALE 2:1

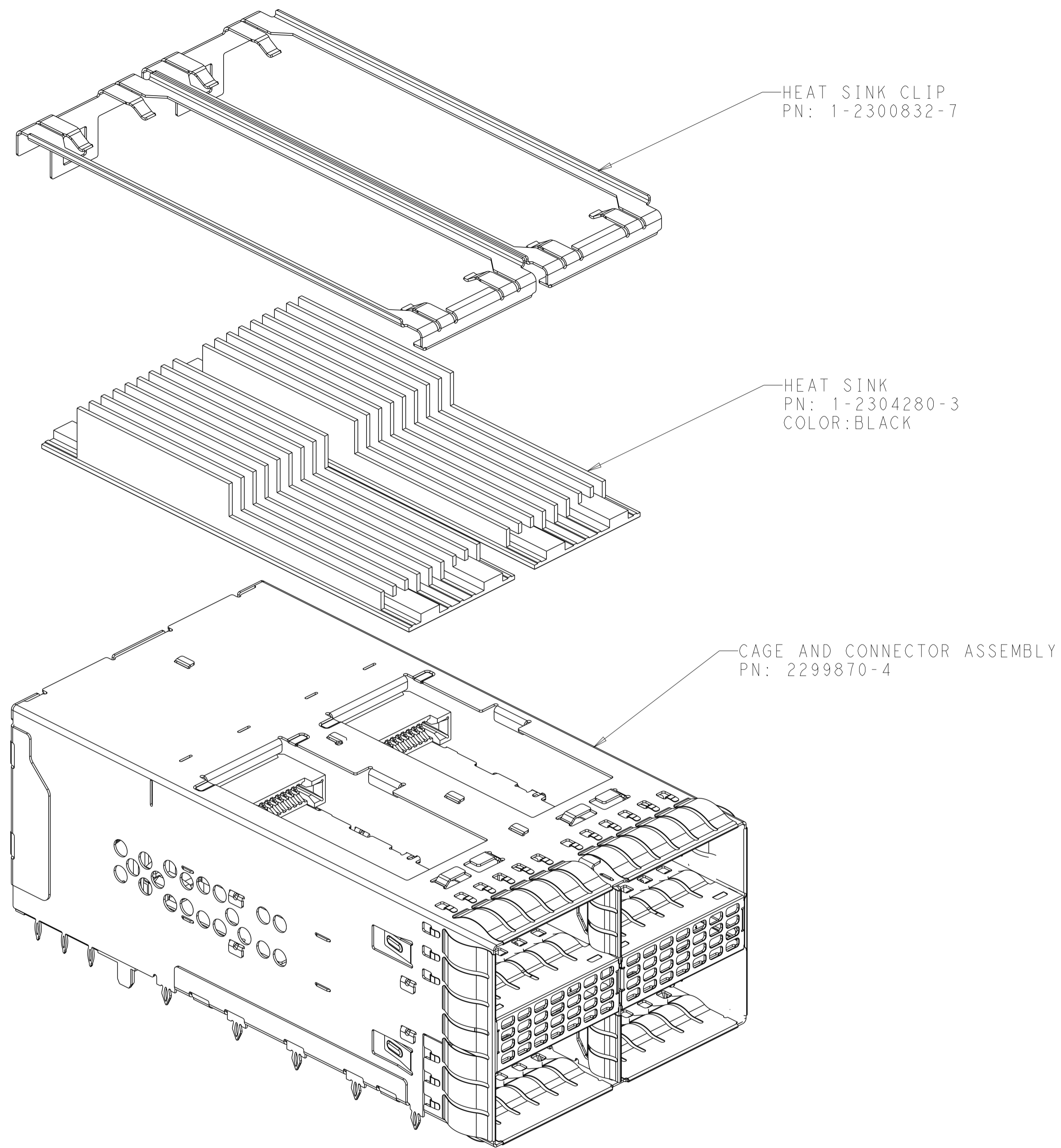


SCALE 2:1

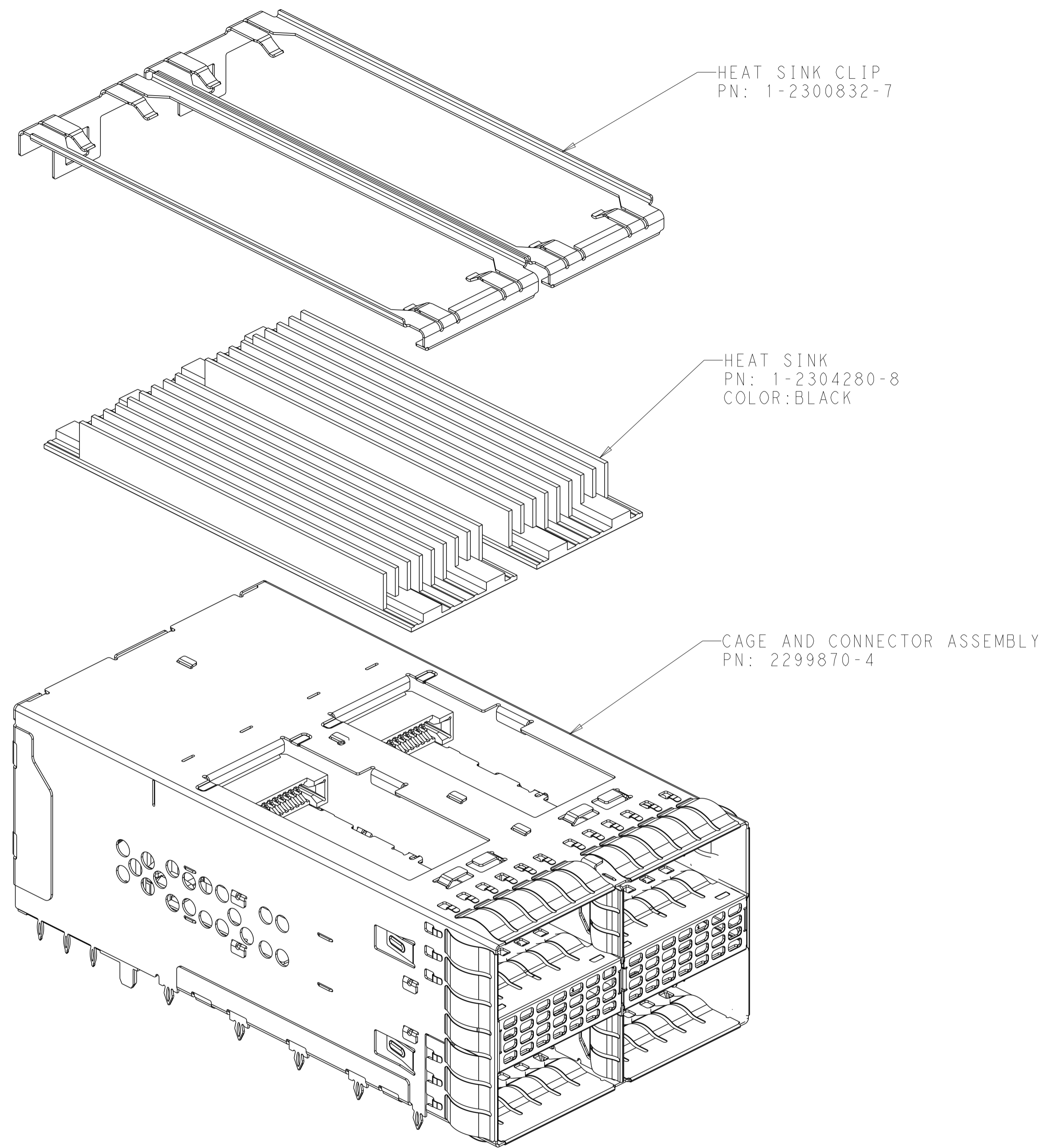


THIS DRAWING IS A CONTROLLED DOCUMENT.		OWN TIM XUE 28JAN2016		
DIMENSIONS:		CHK SEAN HAN 28JAN2016		
mm	0 PLC ± 1 PLC ±0.25 2 PLC ±0.15 3 PLC ± 4 PLC ±	APVD SEAN HAN 28JAN2016	NAME CAGE AND CONNECTOR ASSEMBLY WITH EMI SPRING FINGERS, THRU BEZEL, 2X2 ZQSFP+ STACKED WITH HS	
TOLERANCES UNLESS OTHERWISE SPECIFIED:		PRODUCT SPEC 108-60102	SIZE A100779	
ANGLES ±		APPLICATION SPEC 114-60015	CAGE CODE C=2299870	
FINISH		RESTRICTED TO	CUSTOMER DRAWING	
MATERIAL SEE NOTE 1		WEIGHT	SCALE 4:1 SHEET 7 OF 15 REV J	
SEE NOTE 2				

LOC	DIST	REVISIONS			
P	LTN	DESCRIPTION	DATE	DWN	APVD
-	-	SEE SHEET 1	-	-	-



2299870-3 AS SHOWN, KIT PACKAGE  
 SCALE 3:1



1-2299870-3 AS SHOWN, KIT PACKAGE  
 SCALE 3:1

2	2	1-2300832-7	HEAT SINK CLIP	3
2	-	1-2304280-8	HEAT SINK	2
-	2	1-2304280-3		
1	1	2299870-4	CAGE AND CONNECTOR ASSEMBLY	1
1-2299870-3	2299870-3	PART NUMBER	DESCRIPTION	ITEM

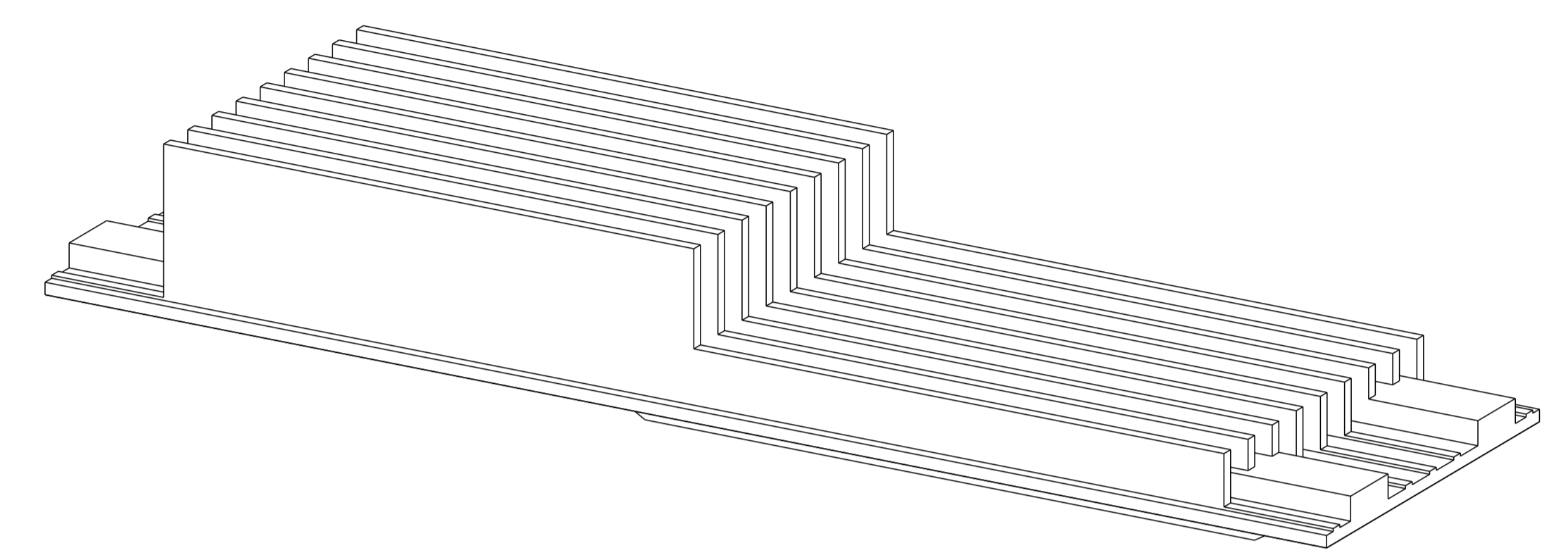
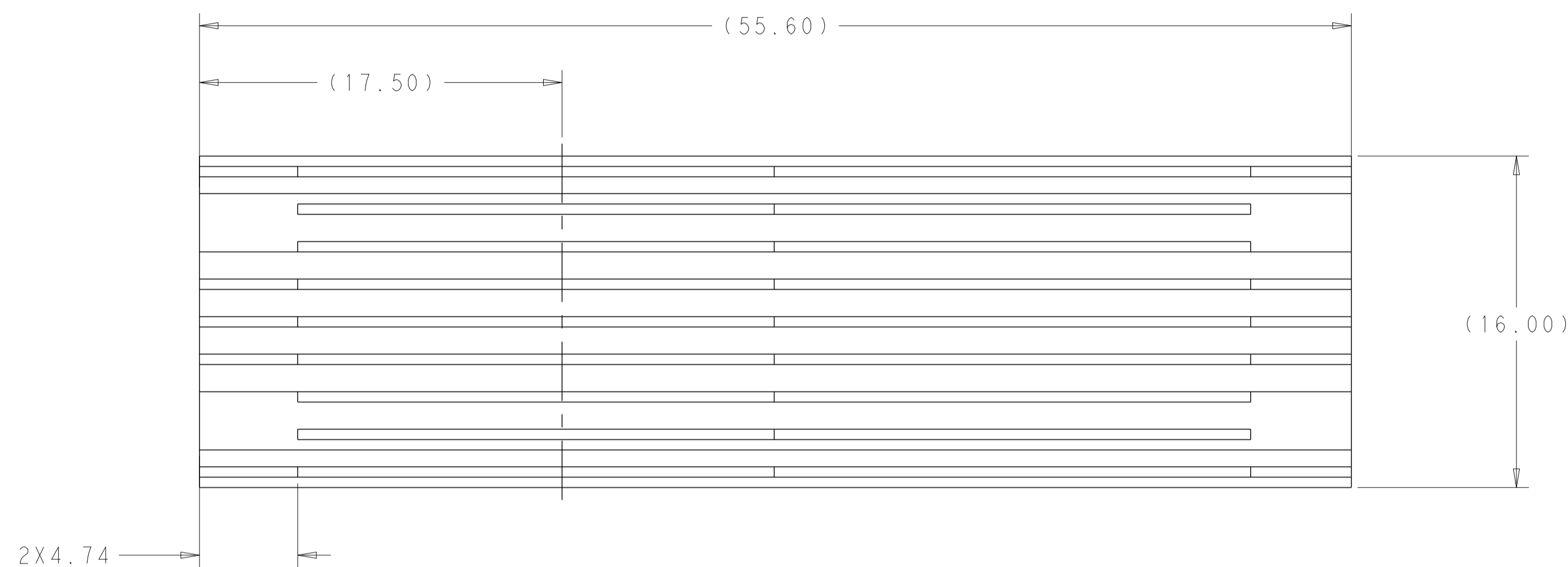
THIS DRAWING IS A CONTROLLED DOCUMENT.

DIMENSIONS:	TOLERANCES UNLESS OTHERWISE SPECIFIED:	DWN	TIM XUE	28JAN2016
mm	0 PLC ±	CHK	SEAN HAN	28JAN2016
	1 PLC ±0.25	APVD	SEAN HAN	28JAN2016
	3 PLC ±0.15	NAME	CAGE AND CONNECTOR ASSEMBLY WITH EMI SPRING FINGERS, THRU BEZEL, 2X2 ZQSFP+ STACKED WITH HS	
	4 PLC ±	PRODUCT SPEC	108-60102	
	ANGLES ±	APPLICATION SPEC	114-60015	
MATERIAL	FINISH	SIZE	CAGE CODE	DRAWING NO
SEE NOTE 1	SEE NOTE 2	RESTRICTED TO	A100779	C=2299870
CUSTOMER DRAWING		SCALE	4:1	SHEET 8 OF 15

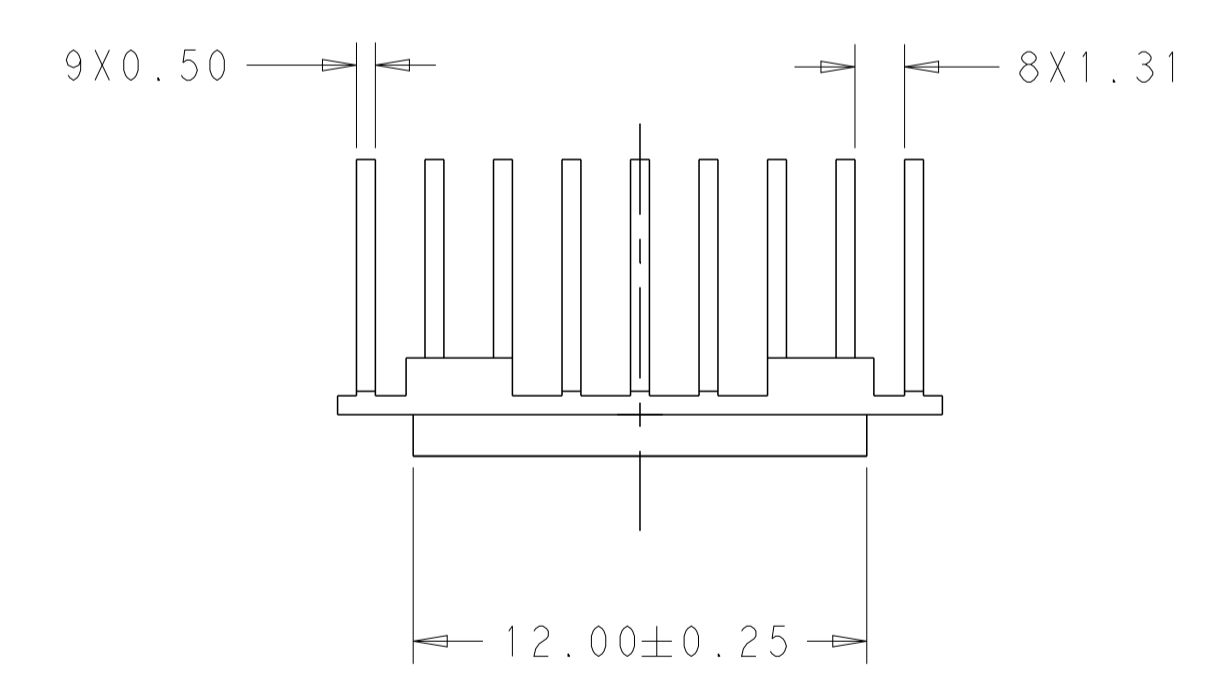
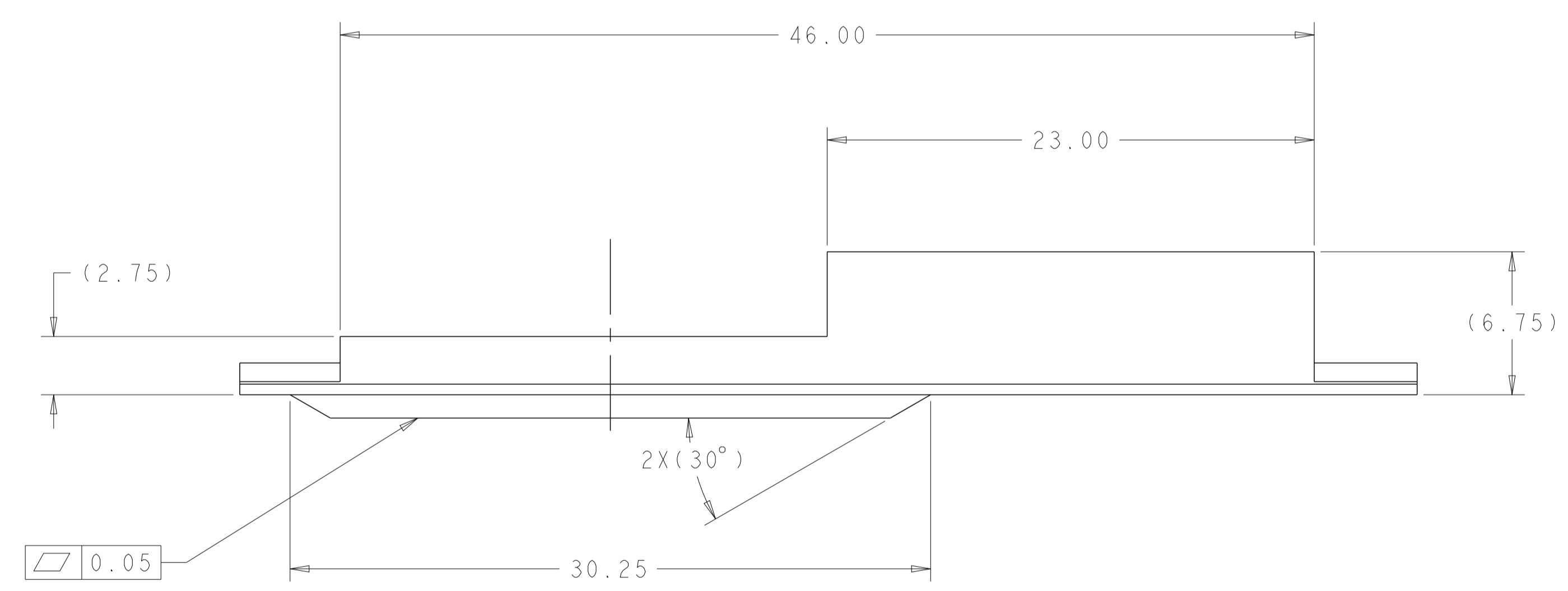
REV J



LOC	DIST	REVISIONS			
P	LTN	DESCRIPTION	DATE	DMN	APVD
-	-	SEE SHEET 1	-	-	-

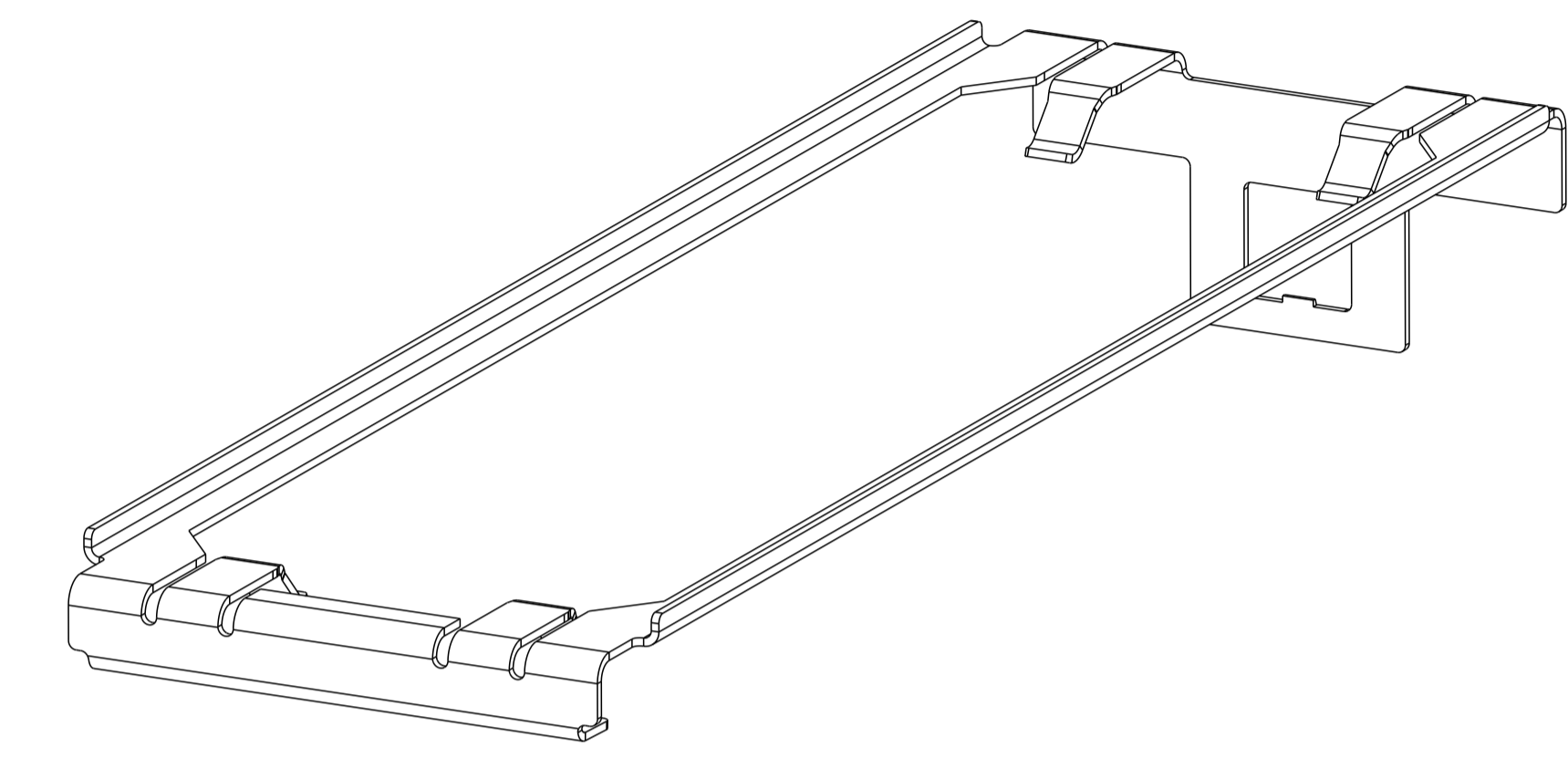


1-2304280-3 HEAT SINK SHOWN  
 (THE COLOR IS BLACK)  
 SCALE 5:1

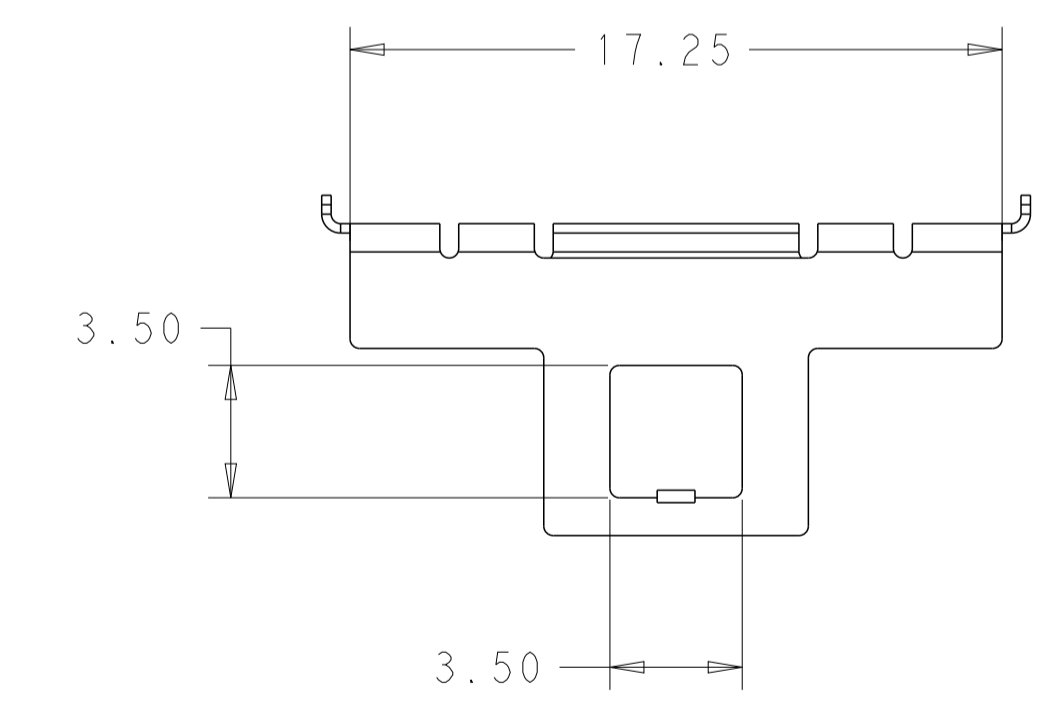
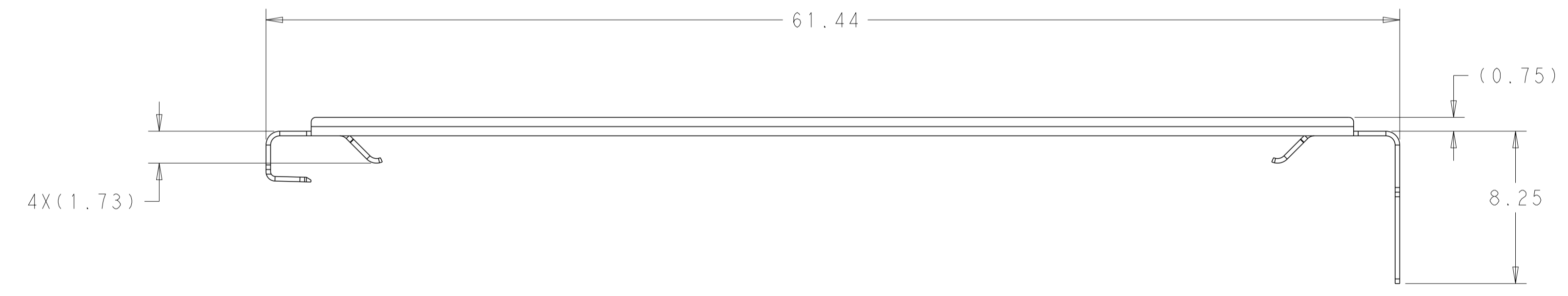


THIS DRAWING IS A CONTROLLED DOCUMENT.		DMN TIM XUE 28JAN2016	TE Connectivity	
DIMENSIONS: mm		CHK SEAN HAN 28JAN2016	NAME CAGE AND CONNECTOR ASSEMBLY WITH EMI SPRING FINGERS, THRU BEZEL, 2X2 ZQSFP+ STACKED WITH HS	
TOLERANCES UNLESS OTHERWISE SPECIFIED:		APVD SEAN HAN 28JAN2016	RESTRICTED TO	
0 PLC ±	1 PLC ±0.25	PRODUCT SPEC	SIZE	CAGE CODE
2 PLC ±0.15	3 PLC ±	APPLICATION SPEC	A100779	DRAWING NO
4 PLC ±	ANGLES ±	114-60015	©=2299870	REV
MATERIAL SEE NOTE 1	FINISH SEE NOTE 2	WEIGHT	CUSTOMER DRAWING	SCALE 4:1 SHEET 9 OF 15

LOC	DIST	REVISIONS			
P	LTN	DESCRIPTION	DATE	DMN	APVD
-	-	SEE SHEET 1	-	-	-

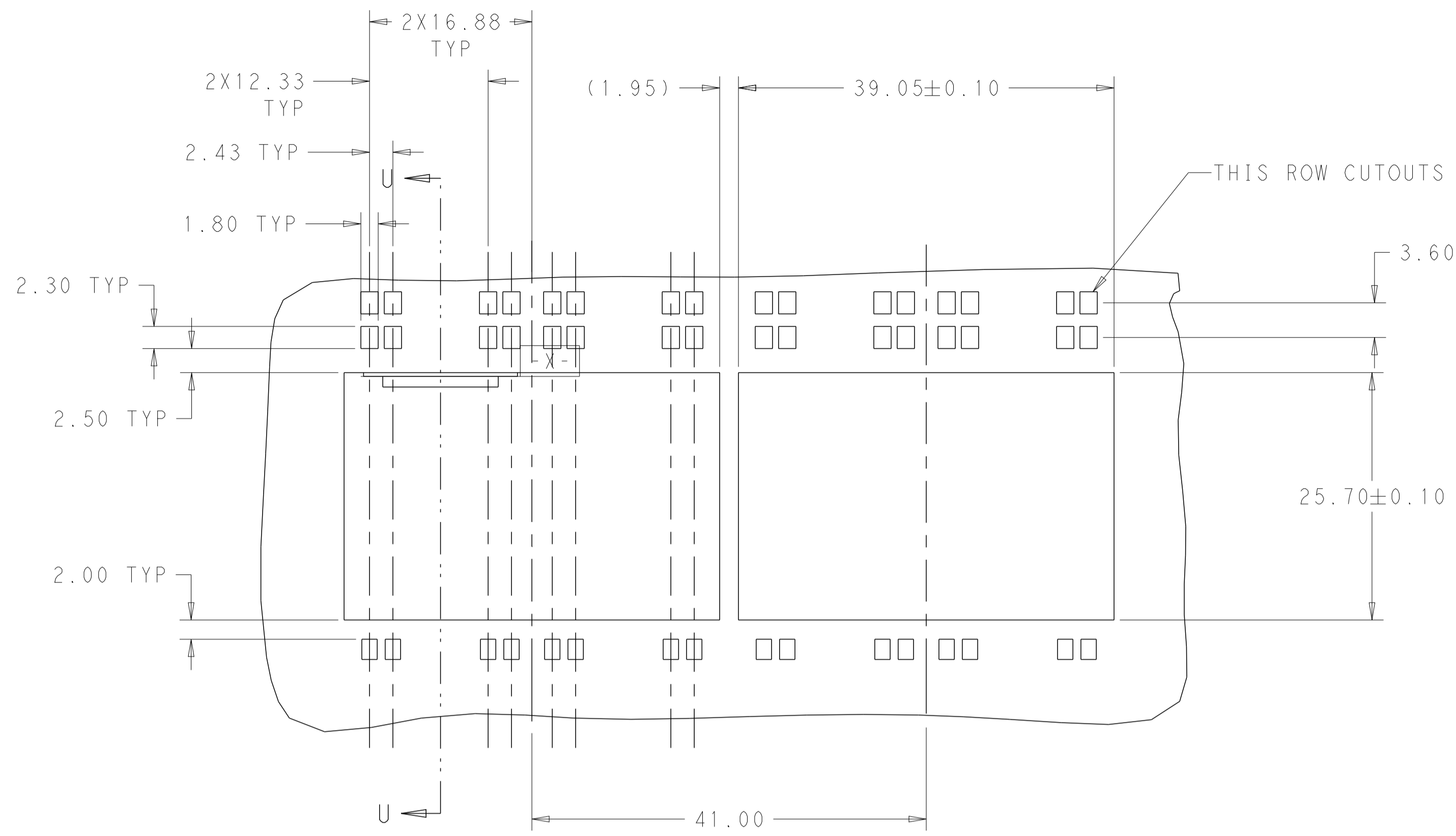


1-2300832-7, HEAT SINK CLIP  
 SCALE 5:1

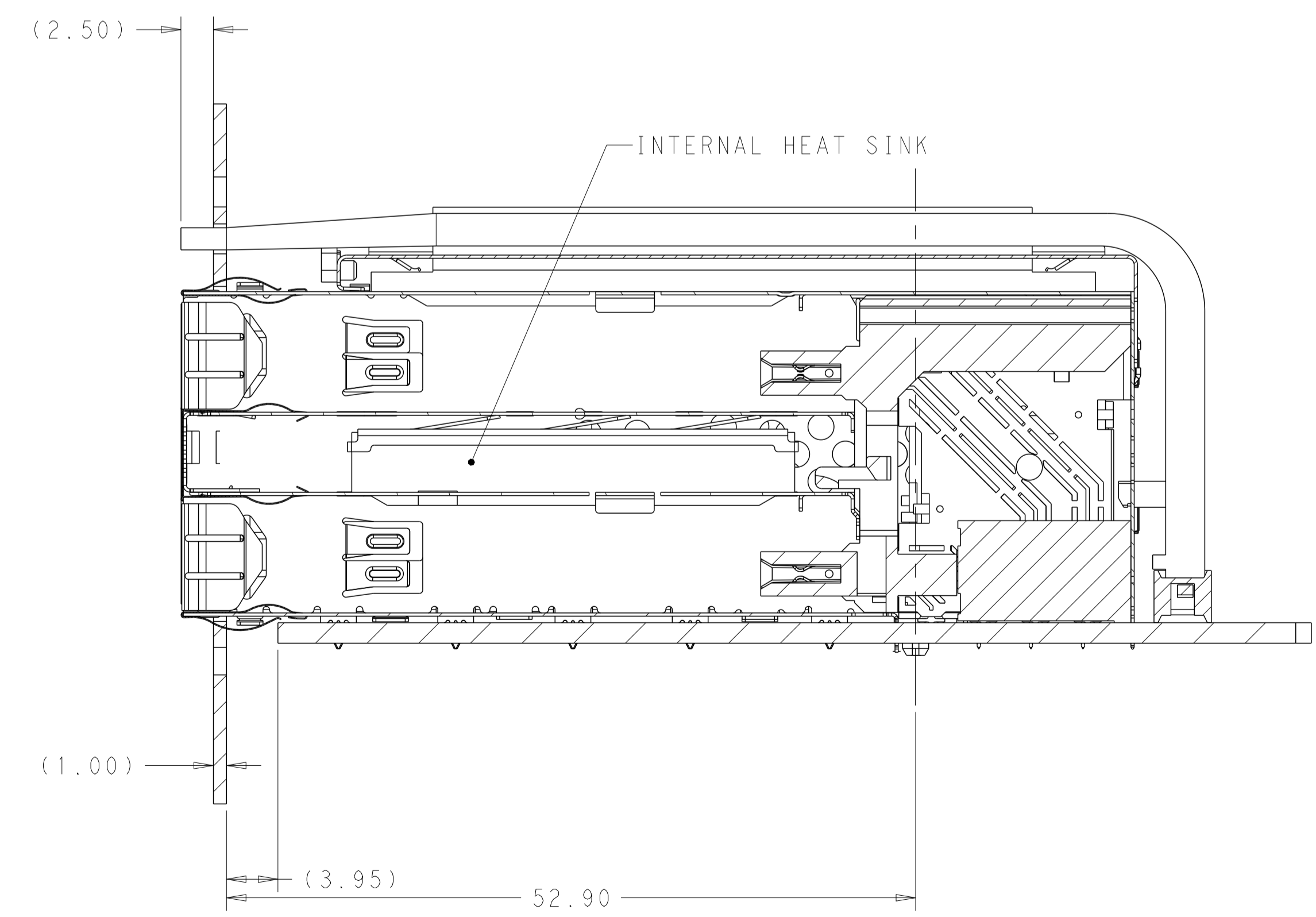
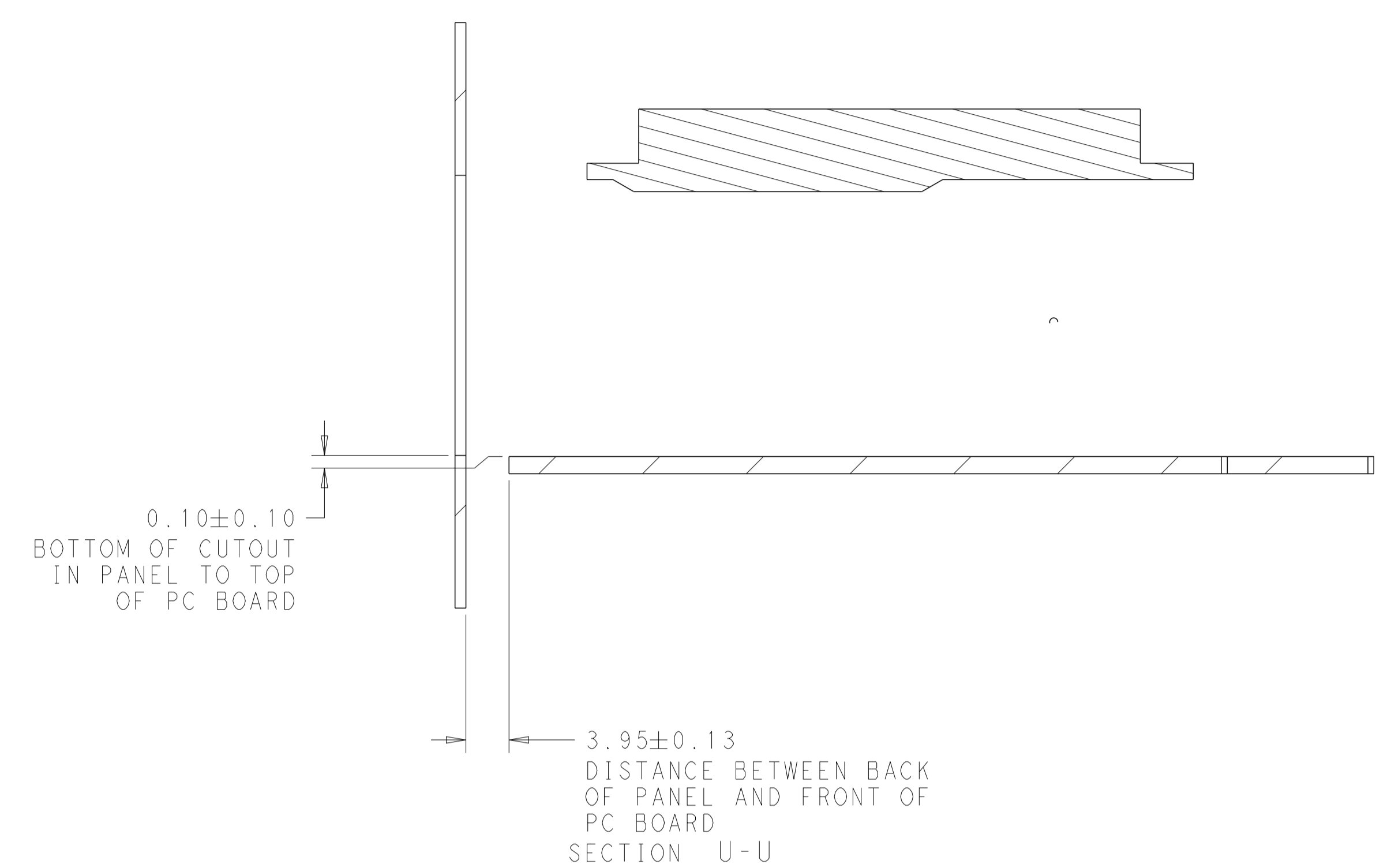


THIS DRAWING IS A CONTROLLED DOCUMENT.		DMN TIM XUE 28JAN2016	
DIMENSIONS: mm		CHK SEAN HAN 28JAN2016	
TOLERANCES UNLESS OTHERWISE SPECIFIED:		APVD SEAN HAN 28JAN2016	NAME
0 PLC ±	1 PLC ±0.25	PRODUCT SPEC	CAGE AND CONNECTOR ASSEMBLY WITH
2 PLC ±0.15	3 PLC ±	APPLICATION SPEC	EMI SPRING FINGERS, THRU BEZEL,
4 PLC ±	ANGLES ±	SIZE	2X2 ZQSF+ STACKED WITH HS
MATERIAL SEE NOTE 1	FINISH SEE NOTE 2	WEIGHT	RESTRICTED TO
CUSTOMER DRAWING		114-60015	A100779C=2299870
SCALE 4:1		SHEET 10	OF 15 REV J

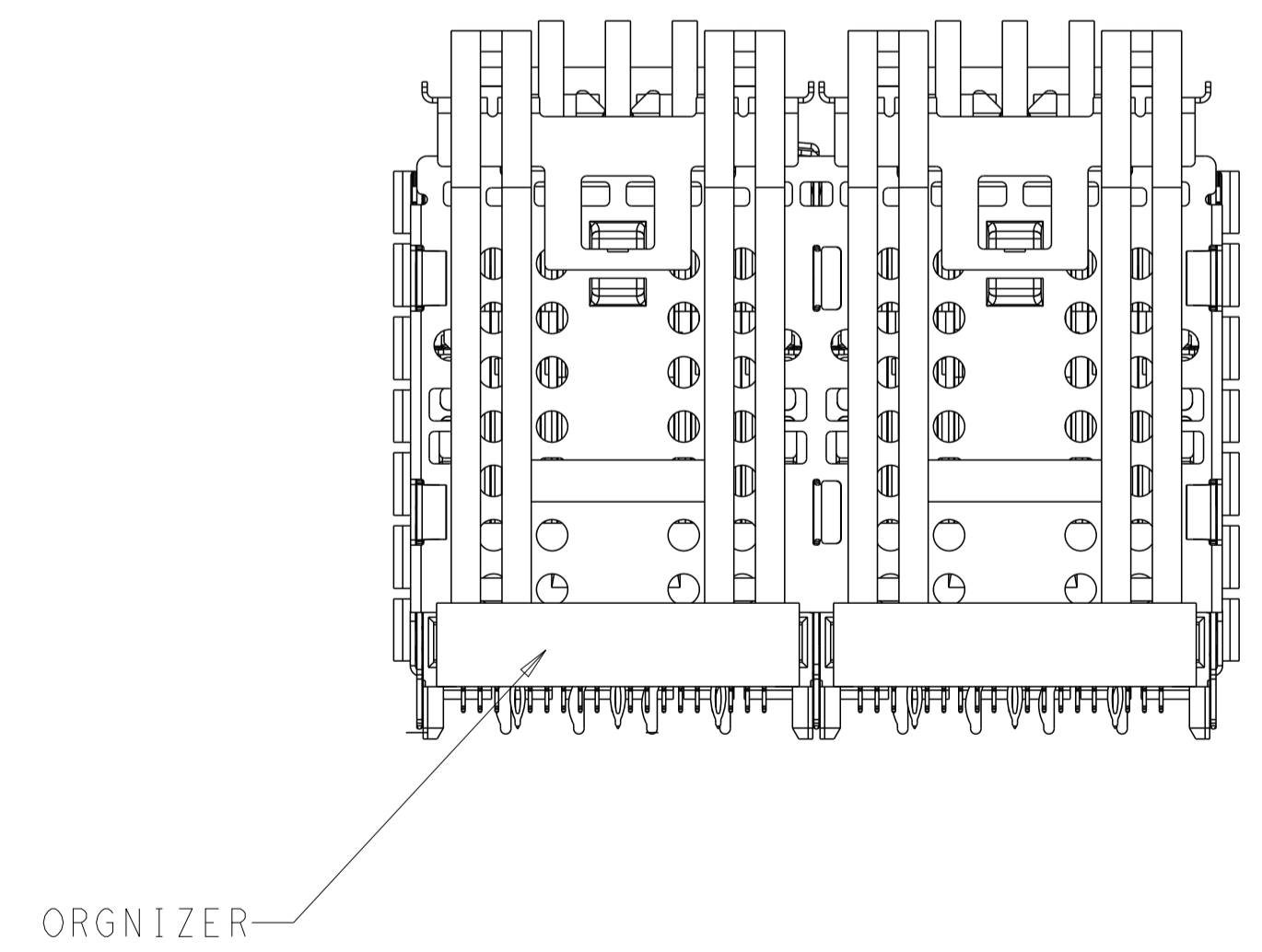
LOC	DIST	REVISIONS			
P	LTN	DESCRIPTION	DATE	DMN	APVD
-	-	SEE SHEET 1	-	-	-



RECOMMENDED PANEL CUTOUT  
 AND PC BOARD PANEL POSITION  
 SCALE 5:2

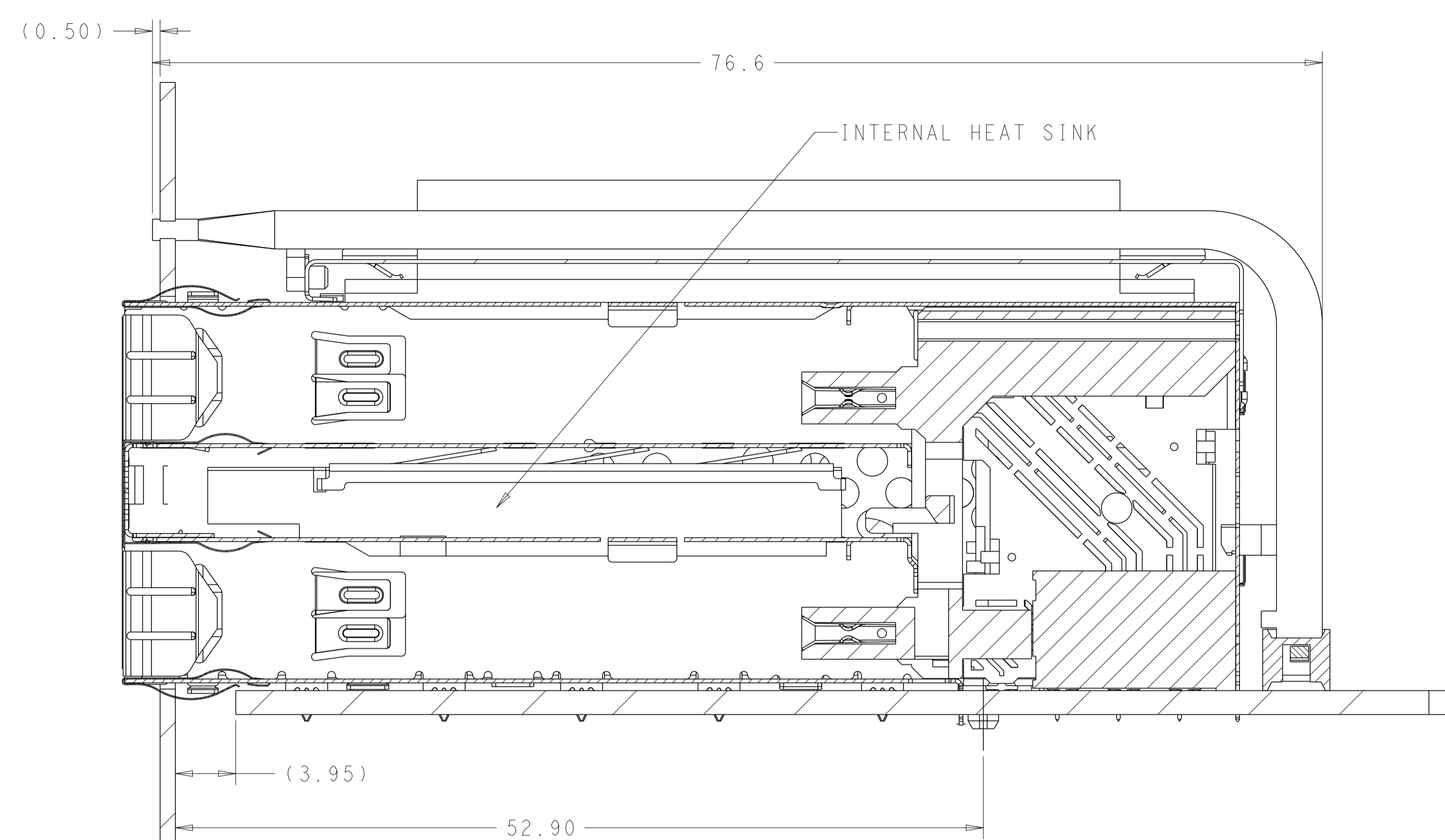


2299870-1 BEZEL LOCATION AS SHOWN  
 SECTION V-V  
 SCALE 3:1

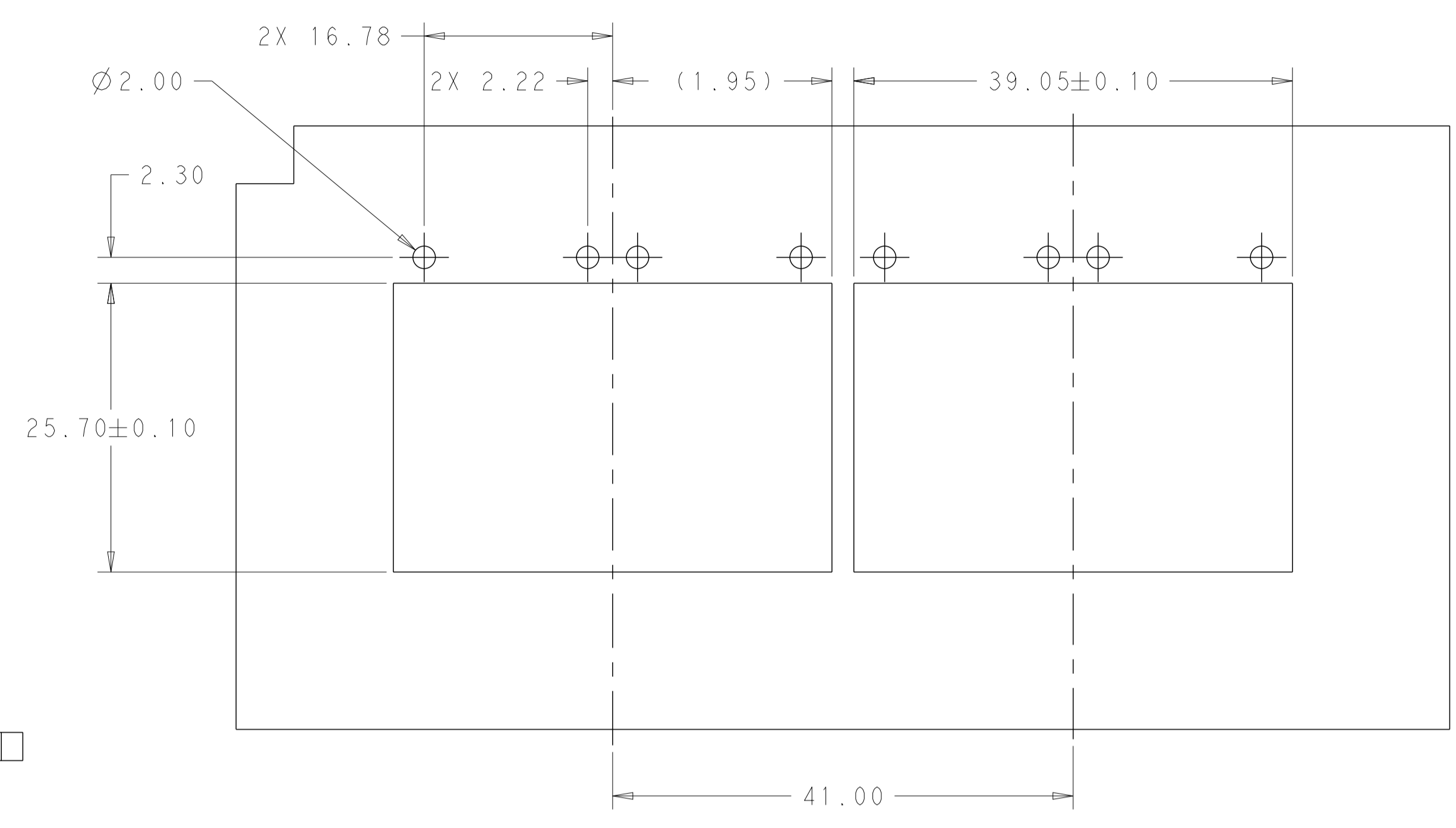


THIS DRAWING IS A CONTROLLED DOCUMENT.		DMN TIM XUE 28JAN2016	TE Connectivity	
DIMENSIONS:		CHK SEAN HAN 28JAN2016	NAME	
mm	TOLERANCES UNLESS OTHERWISE SPECIFIED:	APVD SEAN HAN 28JAN2016	CAGE AND CONNECTOR ASSEMBLY WITH EMI SPRING FINGERS, THRU BEZEL, 2X2 ZQSFP+ STACKED WITH HS	
0 PLC	±	PRODUCT SPEC	SIZE	CAGE CODE
1 PLC	±0.25	108-60102	A1	00779
2 PLC	±0.15	APPLICATION SPEC	SCALE	4:1
3 PLC	±	114-60015	SHEET	11
4 PLC	±	WEIGHT	OF	15
ANGLES	±	CUSTOMER DRAWING	REV	J
FINISH	±	SCALE	4:1	SHEET 11 OF 15
SEE NOTE 1	SEE NOTE 2	DRAWING NO. 2299870		

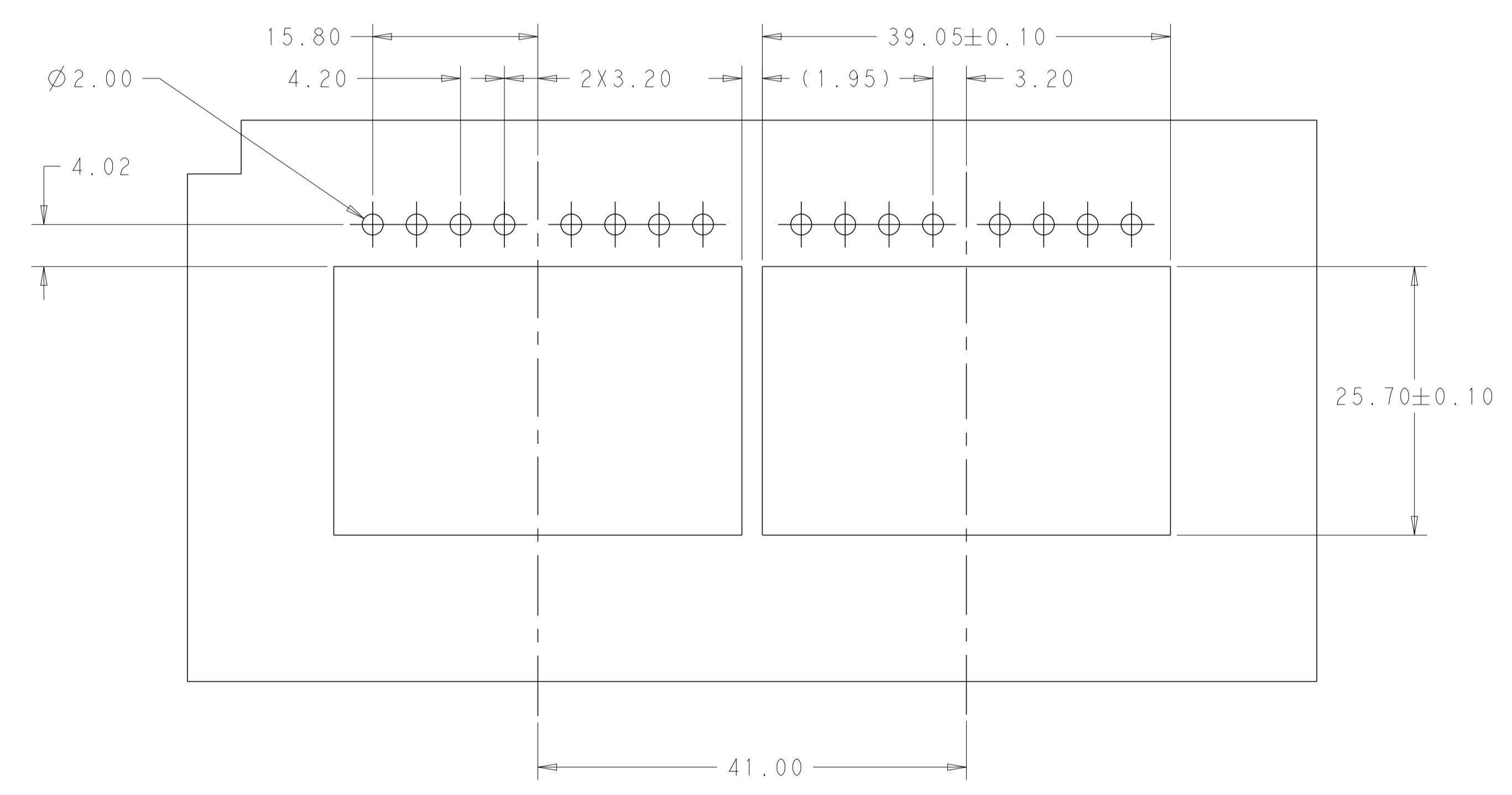
LOC	DIST	REVISIONS			
P	LTN	DESCRIPTION	DATE	DMN	APVD
GP	00	SEE SHEET 1	-	-	-



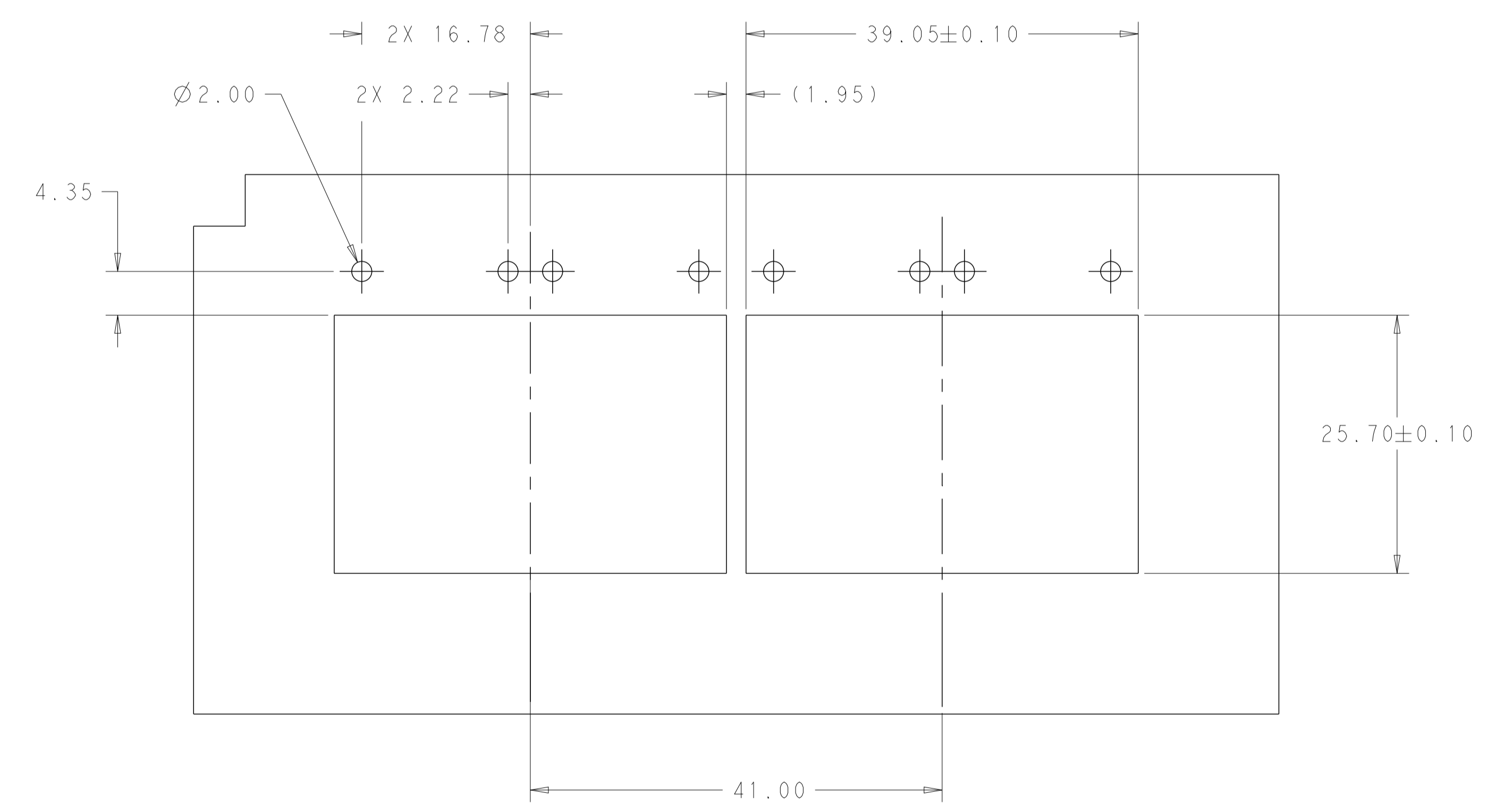
2299870-8  
 1-2299870-8  
 SECTION V-V  
 SCALE 4:1



2-2299870-0  
 SCALE 5:2



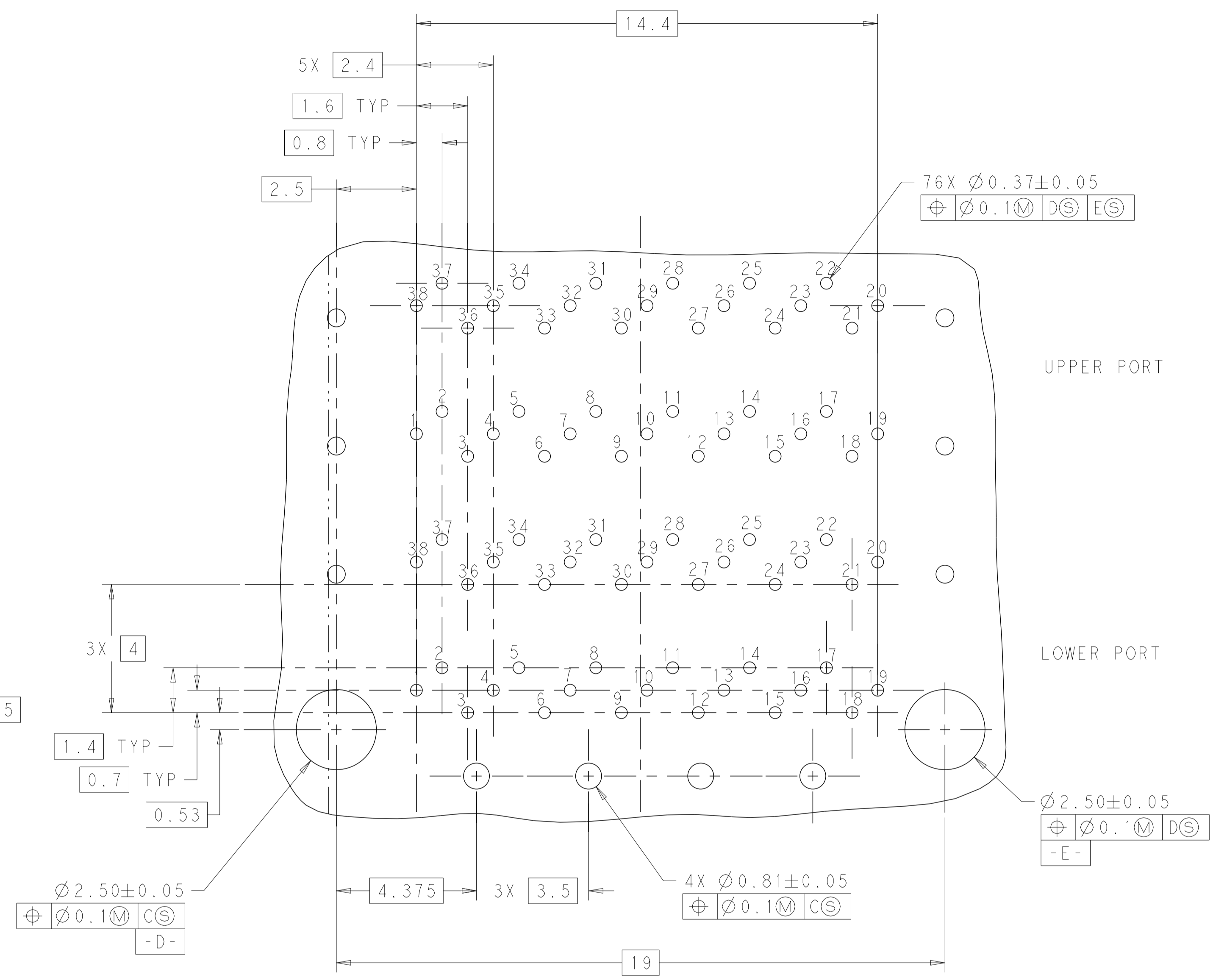
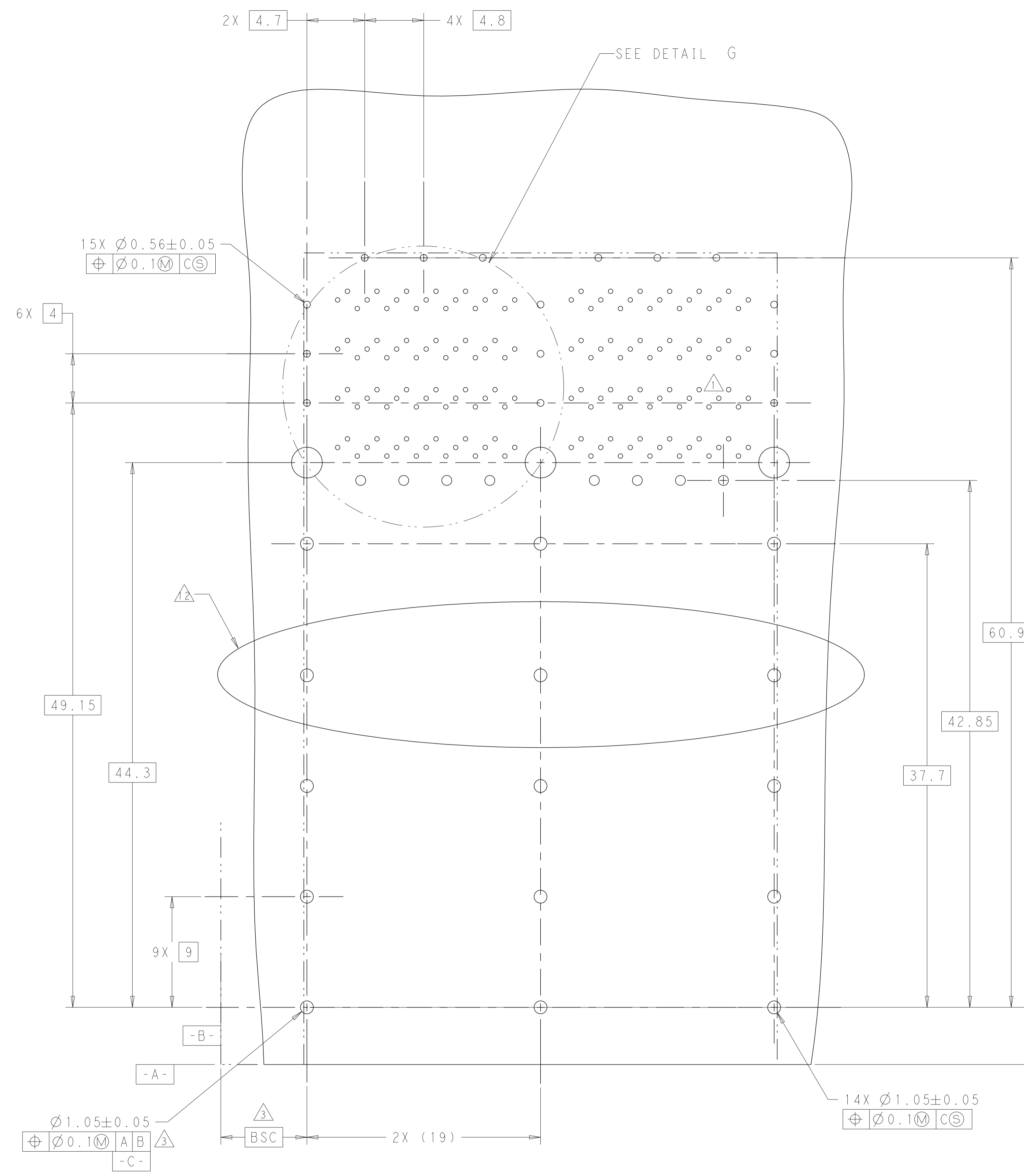
2-2299870-5  
 RECOMMENDED PANEL CUTOUT  
 SCALE 5:2



2299870-8  
 1-2299870-0  
 1-2299870-8  
 2-2299870-3  
 RECOMMENDED PANEL CUTOUT  
 SCALE 5:2

THIS DRAWING IS A CONTROLLED DOCUMENT.		DMN	TIM XUE	28JAN2016	TE Connectivity NAME CAGE AND CONNECTOR ASSEMBLY WITH EMI SPRING FINGERS, THRU BEZEL, 2X2 ZQSPF+ STACKED WITH HS
DIMENSIONS:		CHK	SEAN HAN	28JAN2016	
mm		APVD	SEAN HAN	28JAN2016	
TOLERANCES UNLESS OTHERWISE SPECIFIED: 0 PLC ± 1 PLC ±0.25 2 PLC ±0.15 3 PLC ± 4 PLC ± ANGLES ± FINISH ±		PRODUCT SPEC	108-60102	APPLICATION SPEC	
MATERIAL	SEE NOTE 1	SIZE	114-60015	WEIGHT	RESTRICTED TO
SEE NOTE 2		CAGE CODE	A100779	DRAWING NO	SCALE 4:1
CUSTOMER DRAWING		DRAWING NO	C=2299870	SHEET	12 OF 15
		REV	J		

LOC	DIST	REVISIONS			
GP	00	REV	DATE	BY	APPD
-	-	SEE SHEET 1	-	-	-

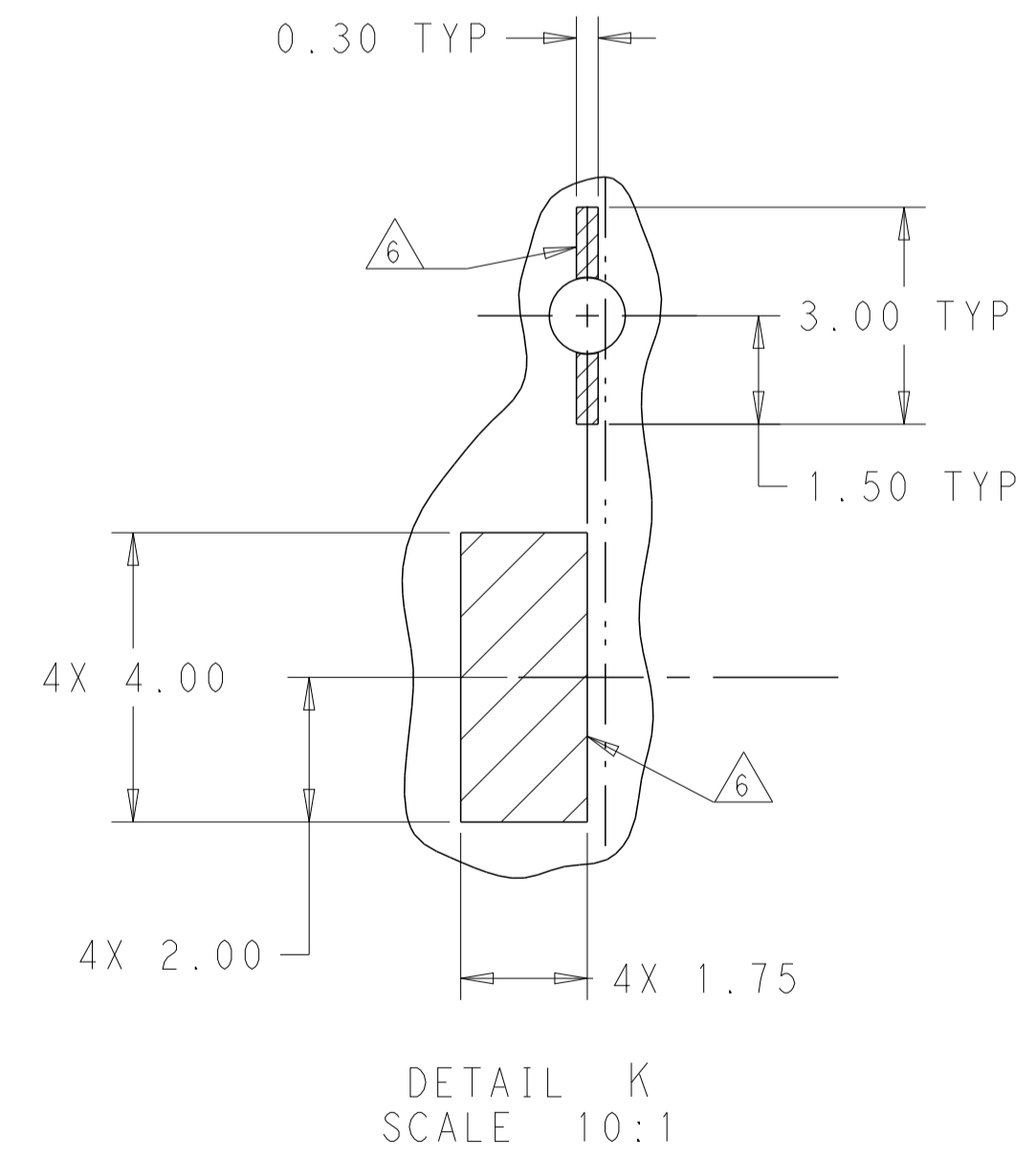
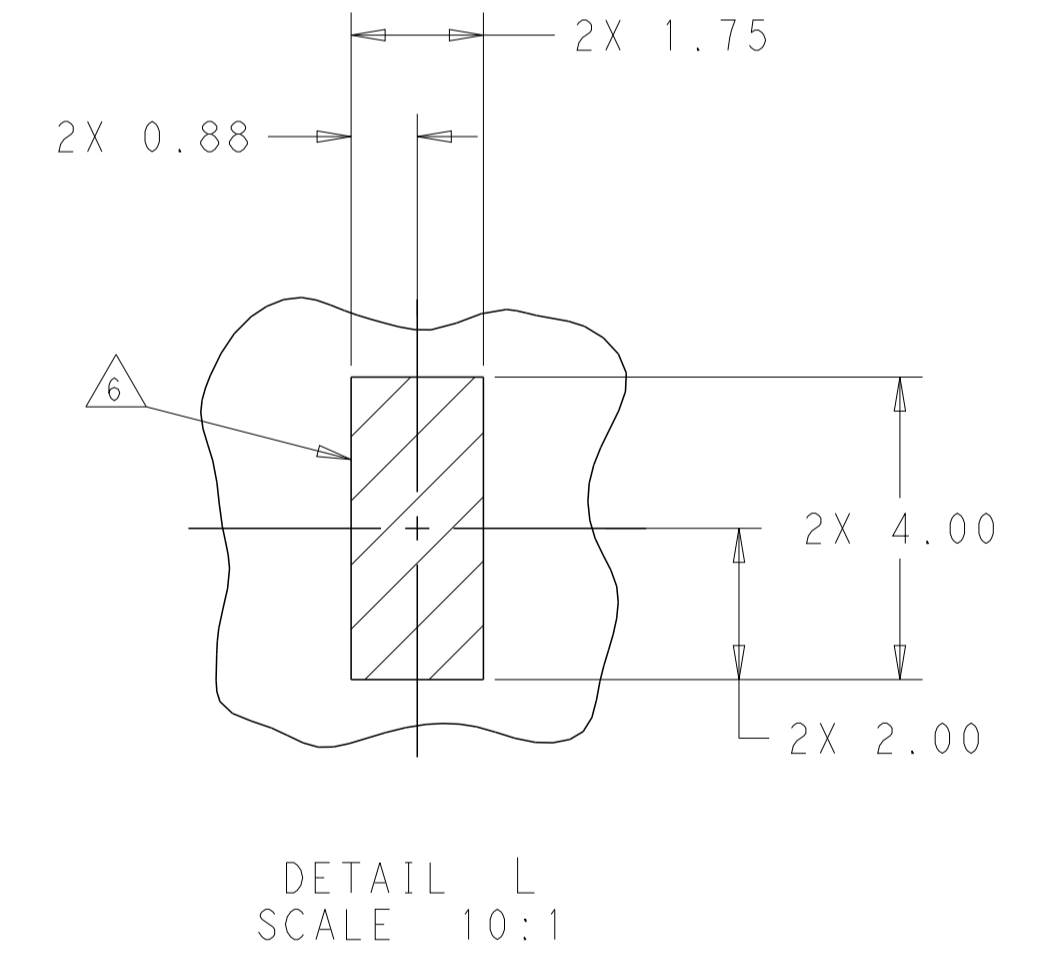
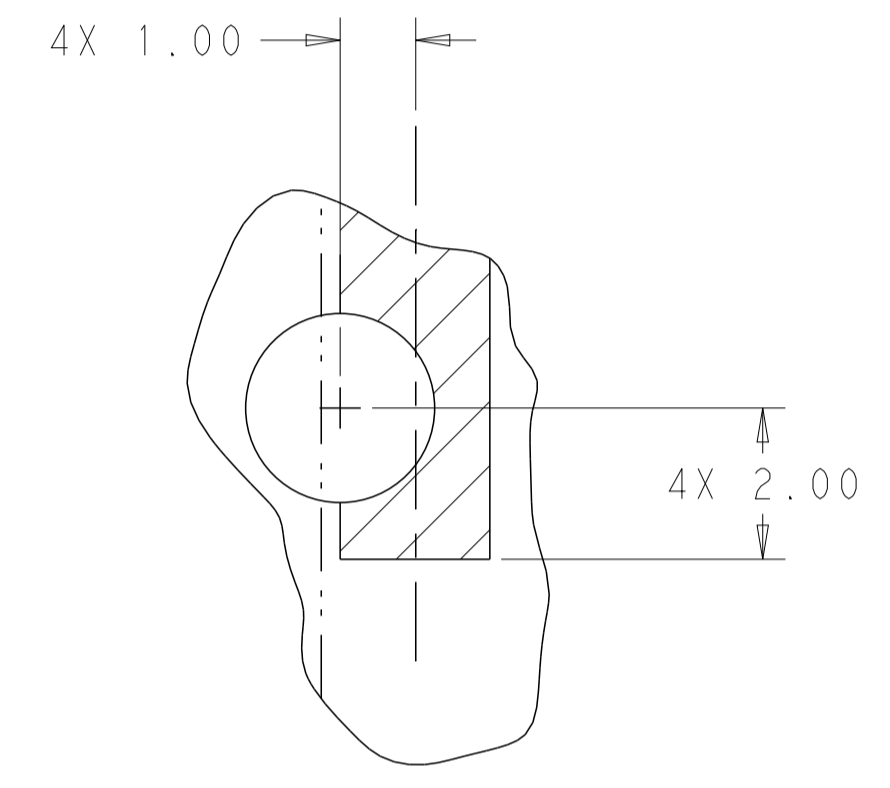
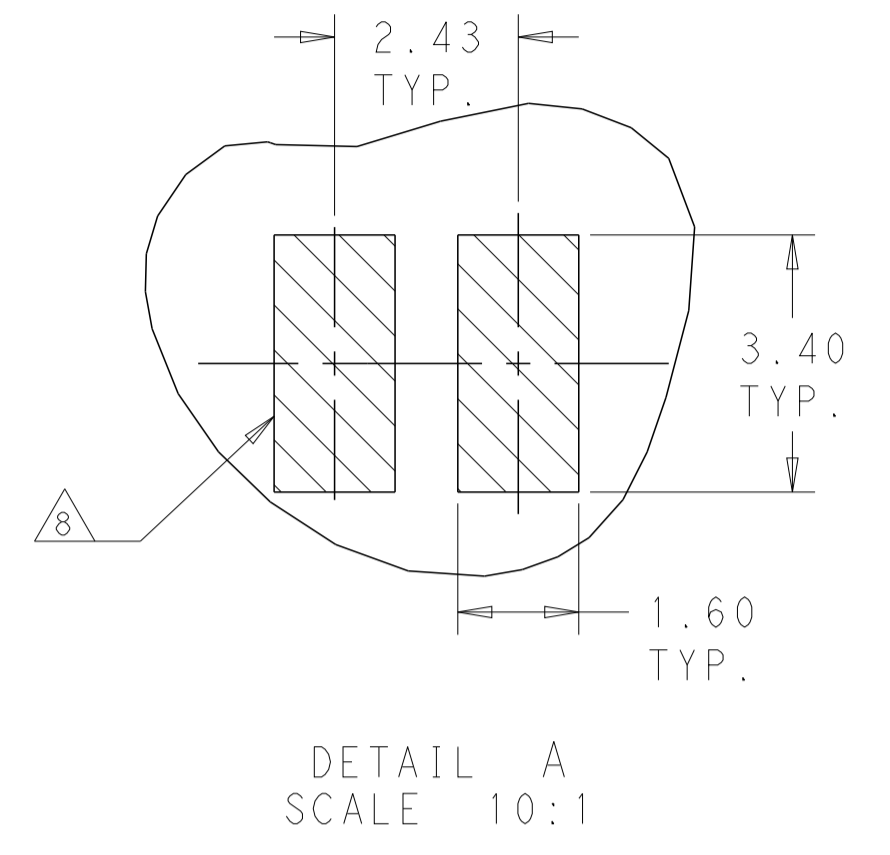
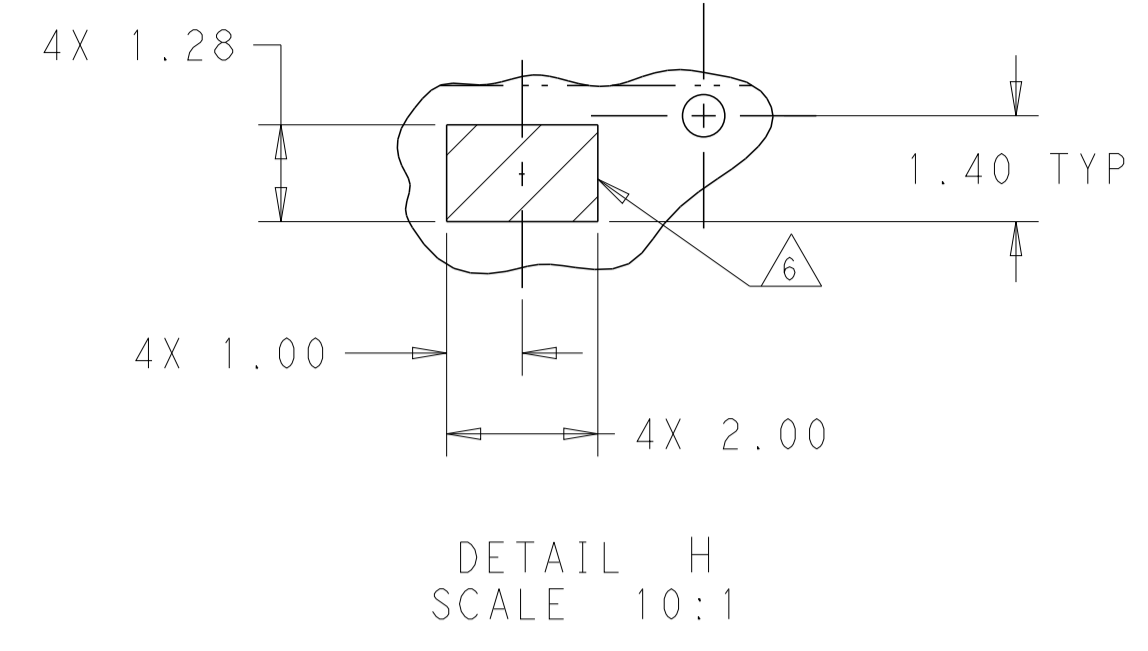
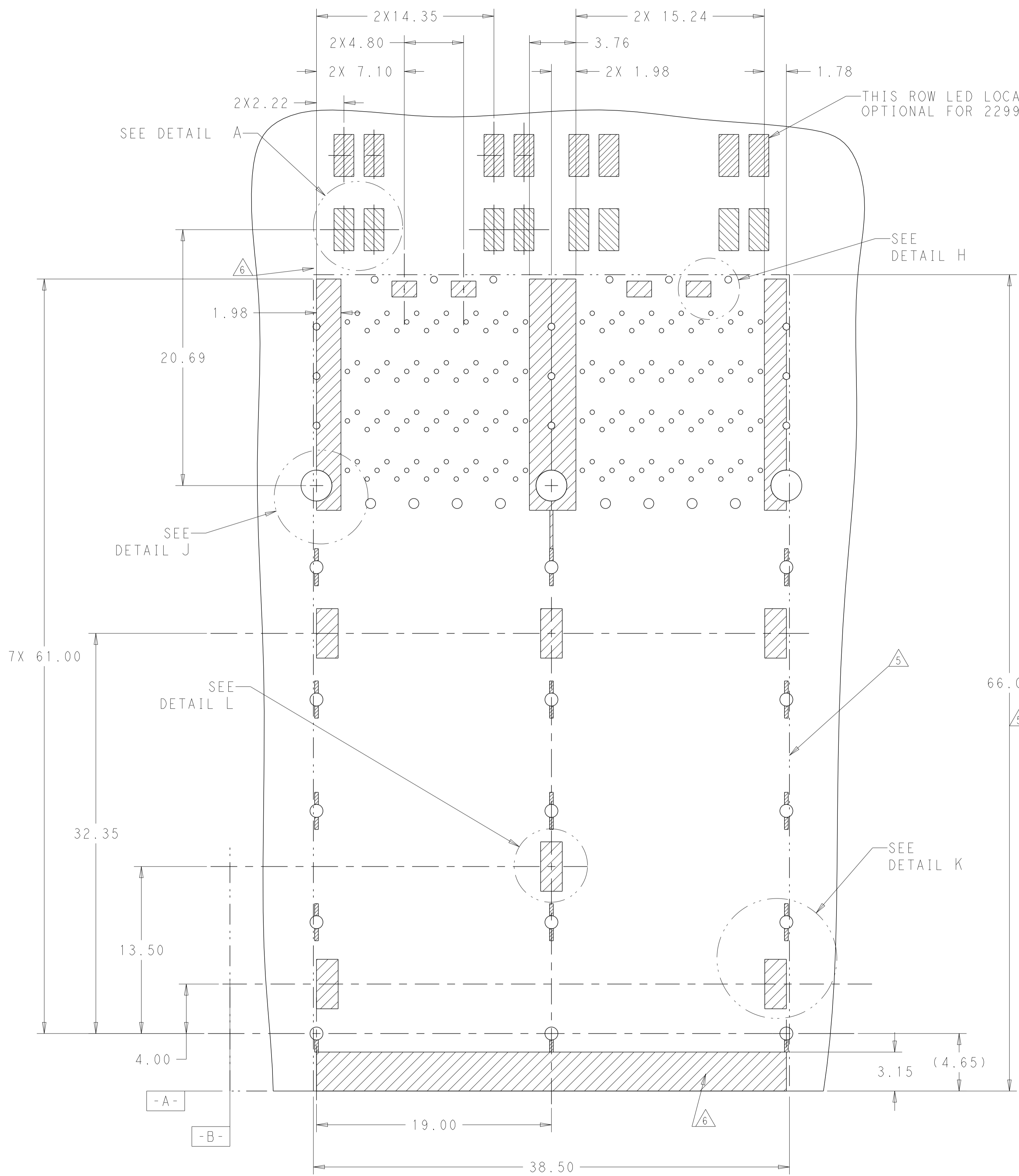


DETAIL G  
 SCALE 10:1

RECOMMENDED PC BOARD LAYOUT  
 COMPONENT SIDE OF BOARD  
 (PCB TOLERANCE  $\pm 0.05$ )  
 SCALE 5:1

THIS DRAWING IS A CONTROLLED DOCUMENT.		OWN: TIM XUE 28JAN2016	TE Connectivity
DIMENSIONS: mm		CHK: SEAN HAN 28JAN2016	
TOLERANCES UNLESS OTHERWISE SPECIFIED:		APPD: SEAN HAN 28JAN2016	
0 PLC $\pm$ 1 PLC $\pm 0.25$ 2 PLC $\pm 0.15$ 3 PLC $\pm$ 4 PLC $\pm$ ANGLES $\pm$		NAME: CAGE AND CONNECTOR ASSEMBLY WITH EMI SPRING FINGERS, THRU BEZEL, 2X2 ZQSFP+ STACKED WITH HS	
MATERIAL: SEE NOTE 1	FINISH: SEE NOTE 2	PRODUCT SPEC: 108-60102	SIZE: 114-60015
CUSTOMER DRAWING		WEIGHT: -	RESTRICTED TO: -
SCALE: 4:1		SHEET: 13 OF 15	REV: J

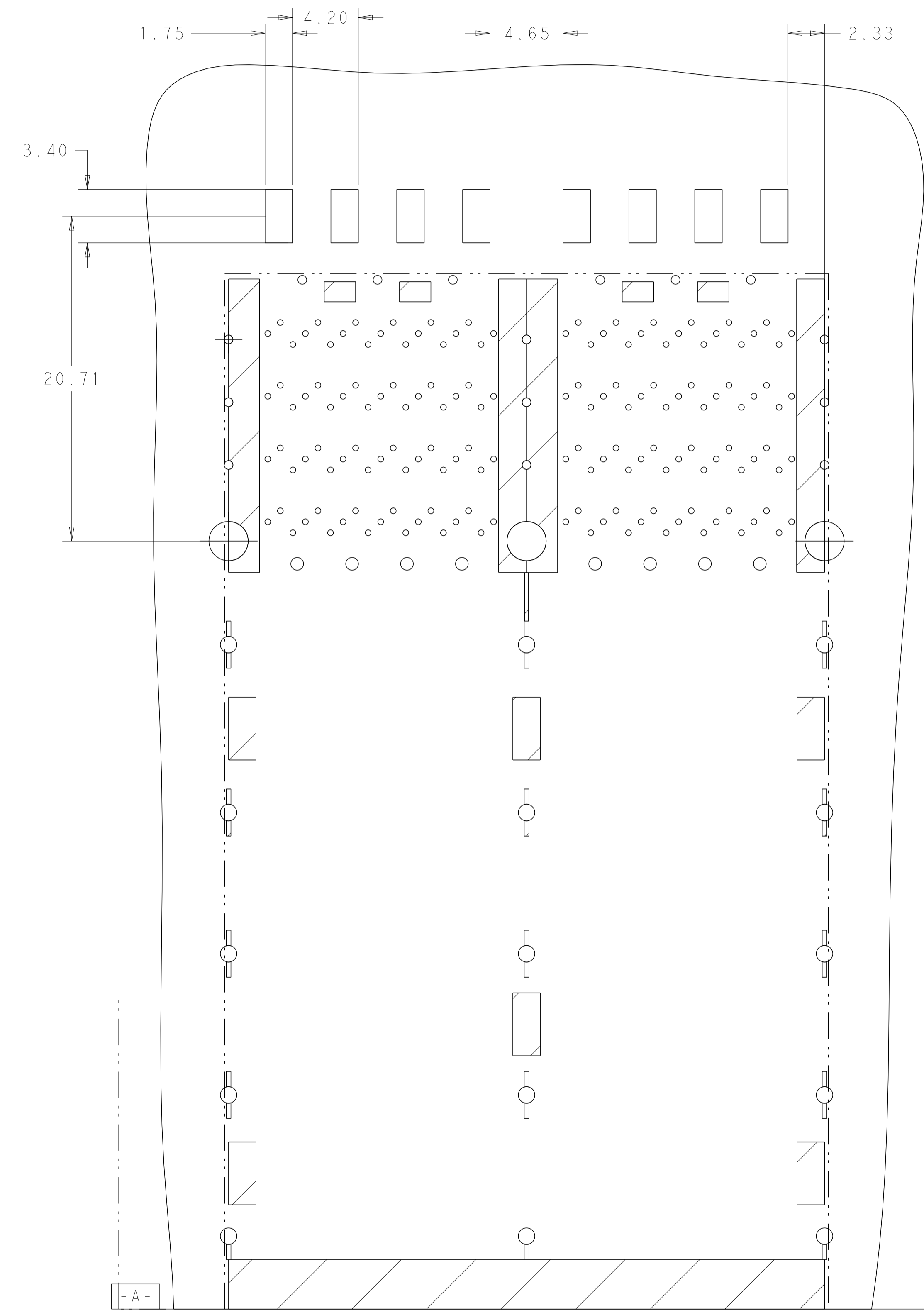
LOC	DIST	REVISIONS					
GP	00	P	LYN	DESCRIPTION	DATE	OWN	APVD
		-		SEE SHEET 1			



KEEPOUT AREAS  
 COMPONENT SIDE OF BOARD  
 (PCB TOLERANCE ±0.05)  
 SCALE 5:1

THIS DRAWING IS A CONTROLLED DOCUMENT.		OWN: TIM XUE 28JAN2016	TE Connectivity
DIMENSIONS: mm		CHK: SEAN HAN 28JAN2016	
TOLERANCES UNLESS OTHERWISE SPECIFIED:		APVD: SEAN HAN 28JAN2016	NAME: CAGE AND CONNECTOR ASSEMBLY WITH EMI SPRING FINGERS, THRU BEZEL, 2X2 ZQSF+ STACKED WITH HS
0 PLC ±0.25	1 PLC ±0.15	PRODUCT SPEC: 108-60102	SIZE: 114-60015
2 PLC ±0.15	3 PLC ±0.15	APPLICATION SPEC: 114-60015	RESTRICTED TO: CUSTOMER DRAWING
4 PLC ±0.15	ANGLES ±0.15	WEIGHT: -	SCALE: 4:1
MATERIAL: SEE NOTE 1	FINISH: SEE NOTE 2	A100779C=2299870	SHEET 14 OF 15

LOC	DIST	REVISIONS			
P	LTN	DESCRIPTION	DATE	DMN	APVD
-	-	SEE SHEET 1	-	-	-



RECOMMENDED 2-2299870-5 LP LOCATION  
 SCALE 5:1

THIS DRAWING IS A CONTROLLED DOCUMENT.		DMN TIM XUE 28JAN2016		
DIMENSIONS:		CHK SEAN HAN 28JAN2016		
mm	TOLERANCES UNLESS OTHERWISE SPECIFIED:	APVD SEAN HAN 28JAN2016	NAME CAGE AND CONNECTOR ASSEMBLY WITH EMI SPRING FINGERS, THRU BEZEL, 2X2 ZQSFP+ STACKED WITH HS	
0 PLC ±	1 PLC ±0.25	PRODUCT SPEC	SIZE CAGE CODE DRAWING NO RESTRICTED TO	
2 PLC ±0.15	3 PLC ±	108-60102	A100779C=2299870	
4 PLC ±	ANGLES ±	APPLICATION SPEC	SCALE SHEET OF REV	
FINISH	114-60015	114-60015	4:1 15 OF 15 J	
MATERIAL	SEE NOTE 1	WEIGHT	CUSTOMER DRAWING	
SEE NOTE 2				

## X-ON Electronics

Largest Supplier of Electrical and Electronic Components

*Click to view similar products for [I/O Connectors](#) category:*

*Click to view products by [TE Connectivity](#) manufacturer:*

Other Similar products are found below :

[571763P](#) [58098-0628](#) [72.250.1628.2](#) [72.250.2428.2](#) [74720-0505](#) [76.350.0729.0](#) [76871-1403](#) [FCN-244F080-G/1](#) [FCN-260A9920](#) [PCR-E36PM](#) [PCS-XE26MA+](#) [G38A71314B](#) [1571250010](#) [157-22500-3](#) [MS3471L14-19P L/C](#) [172501-4002](#) [172501-6002](#) [FCN-260C008-A/L0](#) [FCN-260C024-AL0](#) [FCN-261Z008](#) [2000314-1](#) [200331-1](#) [PCR-E36FC+](#) [PCS-E28FS+](#) [PCS-XE26SLFD+](#) [PCS-XE26SLFDT+](#) [G730VID08BDC24](#) [U90B2054081210](#) [38113800006](#) [DP3AR020WQ1R200](#) [Z4.102.0680.0](#) [500-1040](#) [500-1052](#) [500-1054](#) [ZP-4008-66L](#) [0709821002](#) [DX40-20P\(55\)](#) [5554841-1](#) [MS3474W18-8P-LC\\*](#) [U90B3054061110](#) [U65-E04-4020](#) [ZPF000000000097891](#) [747360449](#) [10099439-003C-TRLF](#) [10137239-0021LF](#) [E9320-001-01](#) [10137239-0011LF](#) [70289-001LF](#) [70.060.1028.0](#) [109029-ZZ](#)