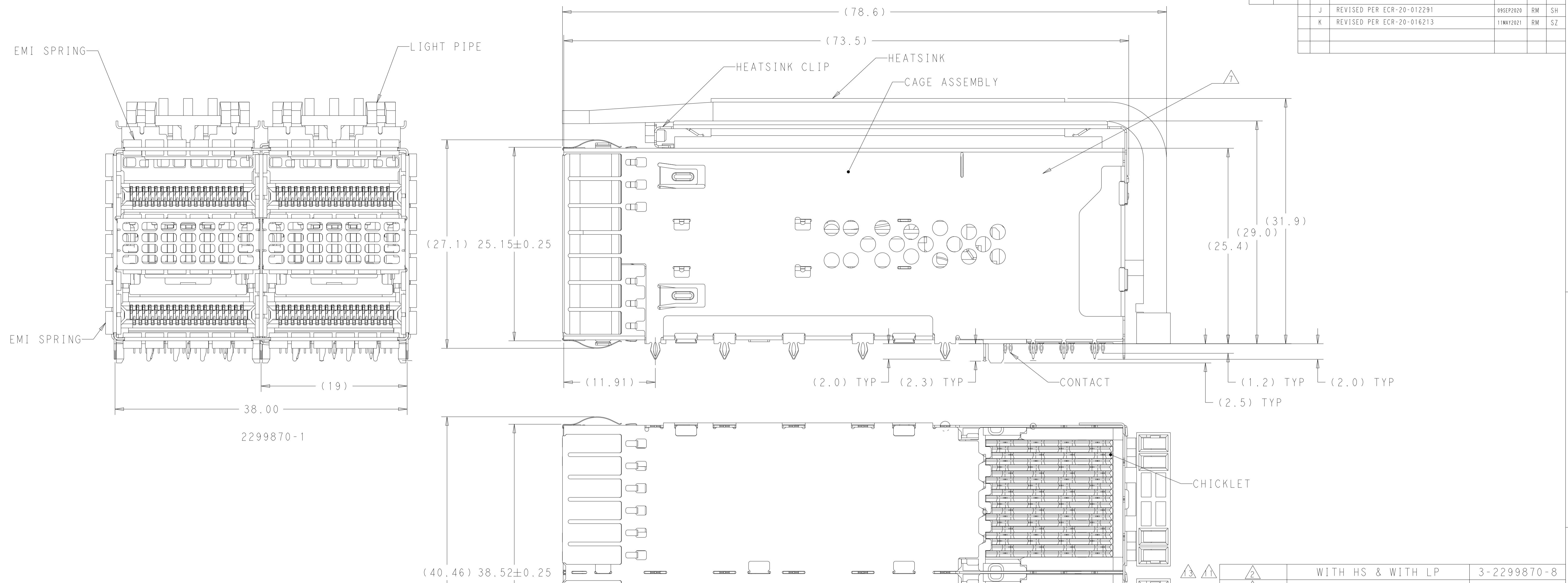


LOC	DIST	REVISIONS			
P	LTN	DESCRIPTION	DATE	DMN	APVD
J		REVISED PER ECR-20-012291	09SEP2020	RM	SH
K		REVISED PER ECR-20-016213	11MAY2021	RM	SZ



- MATERIALS:
 CAGE ASSEMBLY- NICKEL SILVER ALLOY PER ASTM B 122.
 EMI SPRING- COPPER ALLOY, NICKEL PLATED.
 HOUSING- POLYESTER LCP WITH 94V-0.
 CHICKLET- POLYESTER LCP WITH 94V-0.
 CONTACT- COPPER ALLOY.
 LIGHTPIPE- POLYCARBONATE WITH 94V-0.
- CONTACT FINISH: 0.76µm GOLD ON MATING AREA, 0.7-1.5µm MATT TIN ON COMPLIANT AREA, ALL OVER 1.27µm NICKEL.
- DATUM AND BASIC DIMENSION ESTABLISHED BY CUSTOMER.
- MINIMUM PCB THICKNESS OF 1.57.
- THE ENTIRE AREA OF THE CONNECTOR FOOTPRINT, INDICATED BY THE DASHED LINE, TO BE CONSIDERED THE KEEPOUT AREA FOR COMPONENTS AND TRACES.
- CROSS-HATCHED AREAS REPRESENT ZONES ON THE PCB THAT COME IN CONTACT WITH OR BE IN CLOSE PROXIMITY TO THE PLASTIC HOUSING OR THE CONNECTOR CAGE. INDICATED AREAS TO BE CONSIDERED TRACE FREE.
- PART NUMBER AND DATE CODE MAKED IN APPROXIMATE AREA SHOWN.
- HATCHED AREA IS PLACEMENT ZONE FOR LED. LED SHOULD BE CENTERED WITHIN ZONE. RECOMMEND 0805 PACKAGE.
- CONTACT FINISH: 0.08µm MINIMUM GOLD OVER 0.68µm PALLADIUM-NICKEL ON MATING AREA, 0.7-1.5µm MATT TIN ON COMPLIANT AREA, ALL OVER 1.27µm NICKEL.
- LOW Br/Ci AS DEFINED IN TEC-138-702.
- LIGHT PIPE WITH COATING.
- REMOVE THE PCB HOLES FOR 3-2299870-0 FOR SPECIAL APPLICATION.
- HEAT SINK WITH NICKEL PLATING

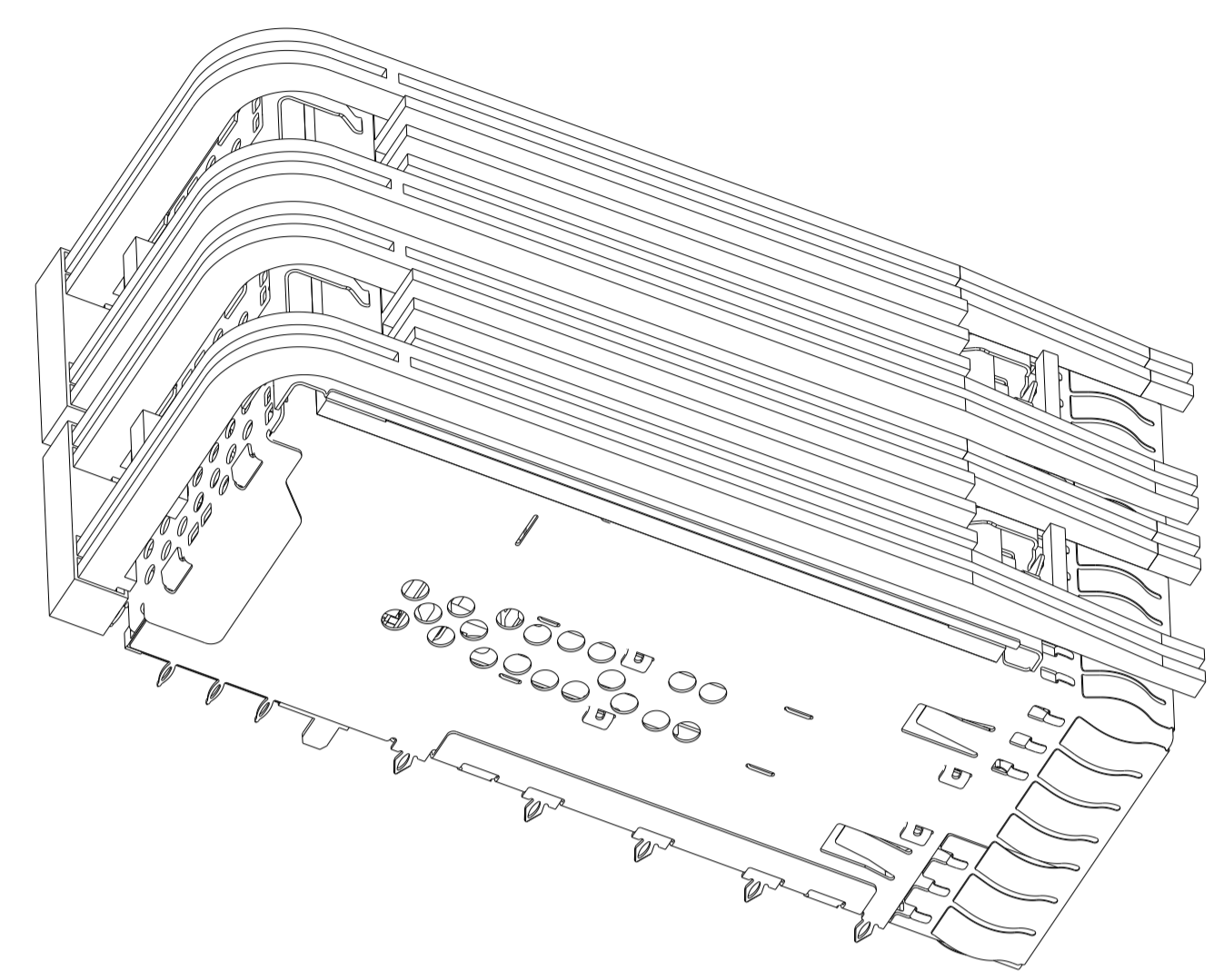
CONTACT FINISH	DESCRIPTION	PART NUMBER
2	WITH HS & WITH LP	3-2299870-8
2	WITH HS & WITHOUT LP	3-2299870-1
2	WITH HS & WITH LP	3-2299870-0
2	WITH HS & WITH LP	2-2299870-8
2	WITHOUT HS & WITH LP	2-2299870-5
2	WITH HS & WITH LP	2-2299870-3
2	WITH HS & WITHOUT LP	2-2299870-2
2	WITHOUT UPPER HS OR LP	2-2299870-1
2	WITH HS & WITH LP	2-2299870-0
1	WITH HS & WITH LP	1-2299870-9
1	WITH HS & WITH LP	1-2299870-8
2	WITH HS & WITHOUT LP	1-2299870-6
2	WITH HS & WITH LP	1-2299870-5
2	WITH HS & WITHOUT LP	1-2299870-3
2	WITH HS & WITHOUT LP	1-2299870-2
2	WITH HS & WITH LP	1-2299870-0
2	WITH HS & WITH LP	2299870-9
2	WITH HS & WITH LP	2299870-8
1	WITH HS & WITH LP	2299870-7
2	WITH HS & WITHOUT LP	2299870-6
2	WITHOUT UPPER HS OR LP	2299870-5
2	WITHOUT UPPER HS OR LP	2299870-4
2	WITH HS & WITHOUT LP	2299870-3
2	WITH HS & WITHOUT LP	2299870-2
1	WITH HS & WITH LP	2299870-1

THIS DRAWING IS A CONTROLLED DOCUMENT.

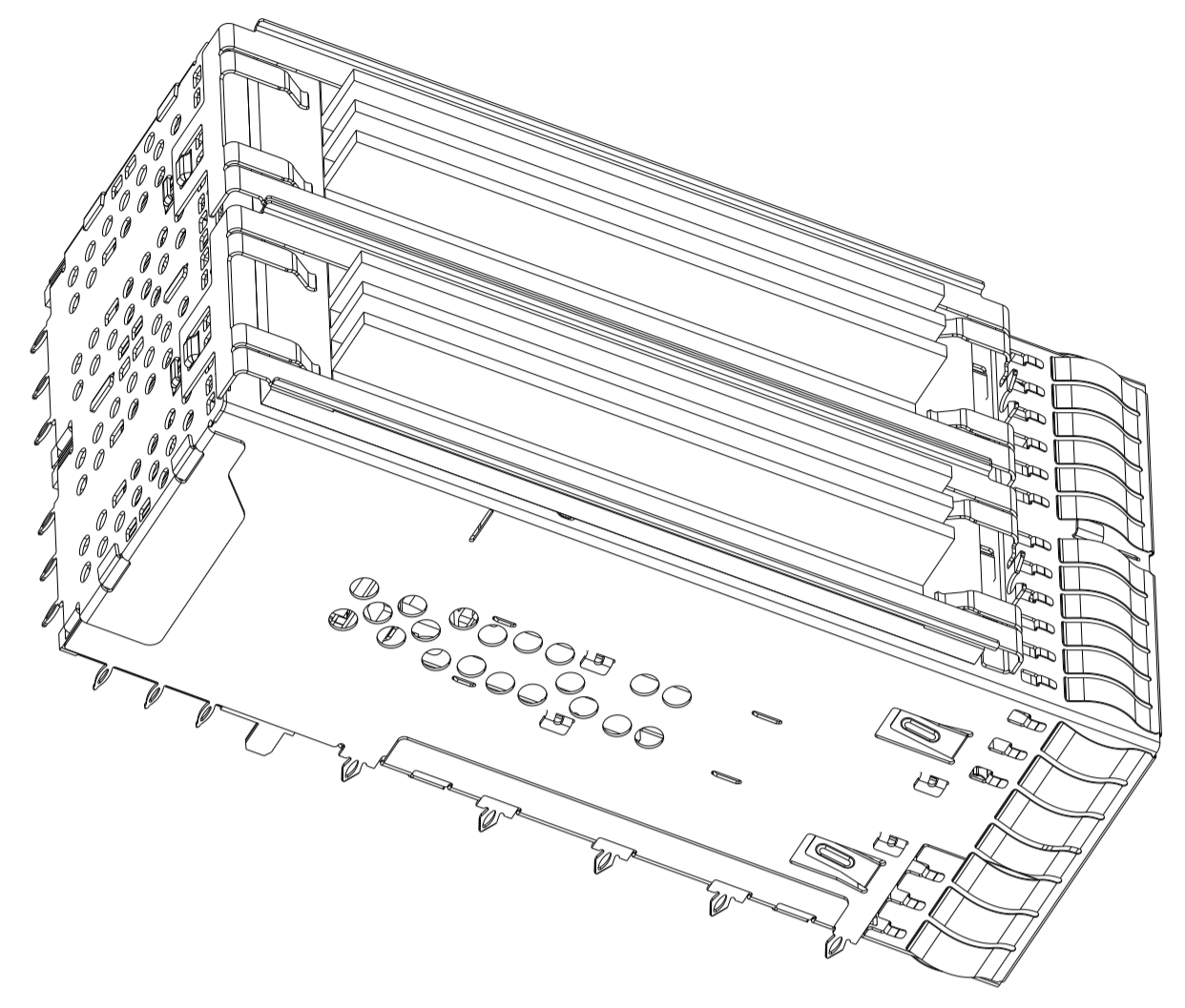
DIMENSIONS:	TOLERANCES UNLESS OTHERWISE SPECIFIED:	DMN: TIM XUE 28JAN2016	CHK: SEAN HAN 28JAN2016	APVD: SEAN HAN 28JAN2016	NAME: SEAN HAN
mm	0 PLC ± 1 PLC ±0.25 2 PLC ±0.15 3 PLC ± 4 PLC ±	PRODUCT SPEC: 108-60102	APPLICATION SPEC: 114-60015	SIZE: 114-60015	RESTRICTED TO: CUSTOMER DRAWING
MATERIAL: SEE NOTE 1	SEE NOTE 2	WEIGHT: -	SCALE: 4:1	SHEET 1 OF 15	REV K

STE TE Connectivity
 CAGE AND CONNECTOR ASSEMBLY WITH EMI SPRING FINGERS, THRU BEZEL, 2X2 ZGSFP+ STACKED WITH HS

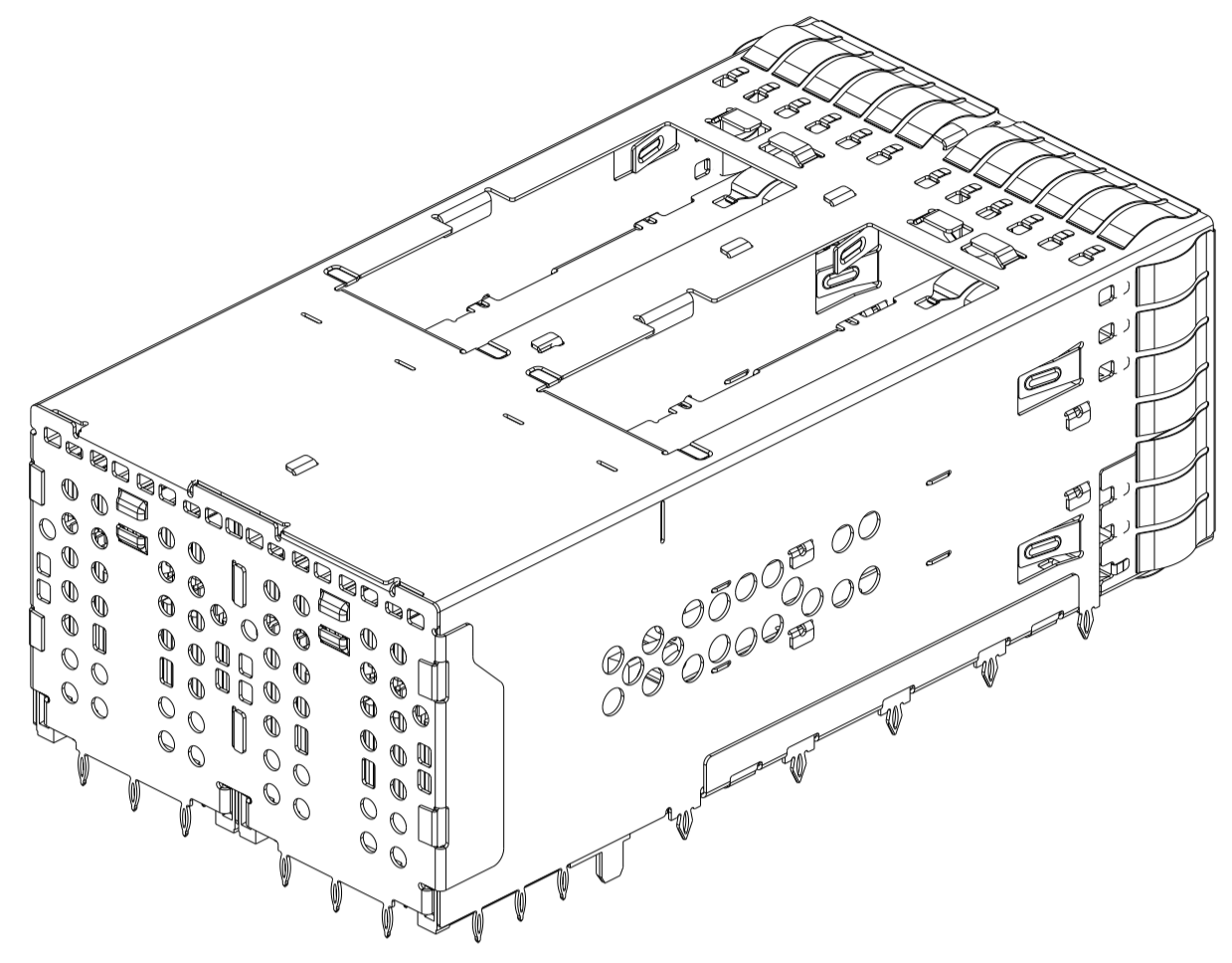
LOC	DIST	REVISIONS					
GP	00	P	LYR	DESCRIPTION	DATE	OWN	APVD
		-		SEE SHEET 1			



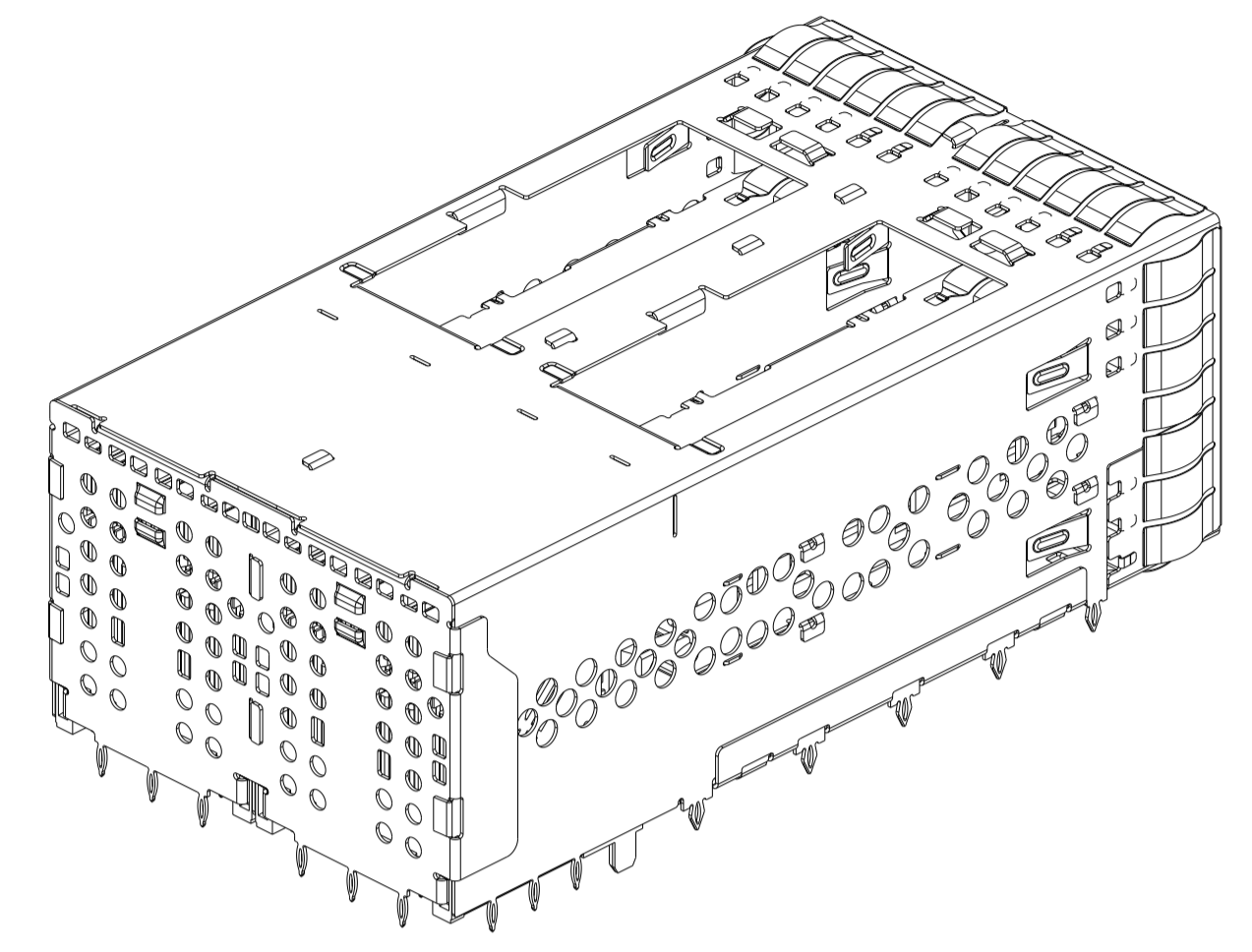
2299870-1 AS SHOWN
SCALE 2:1



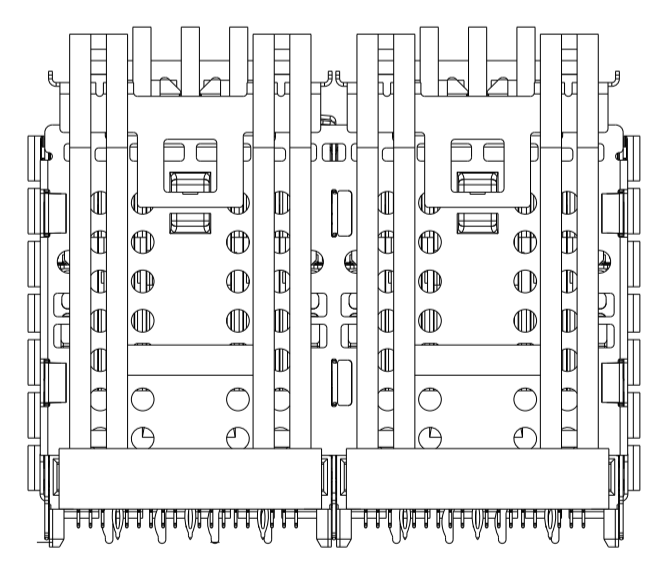
2299870-2 AND 1-2299870-2AS SHOWN
SAME AS 2299870-1 EXCEPT
W/O LEGHT PIPE AND ORGANIZER
SCALE 2:1



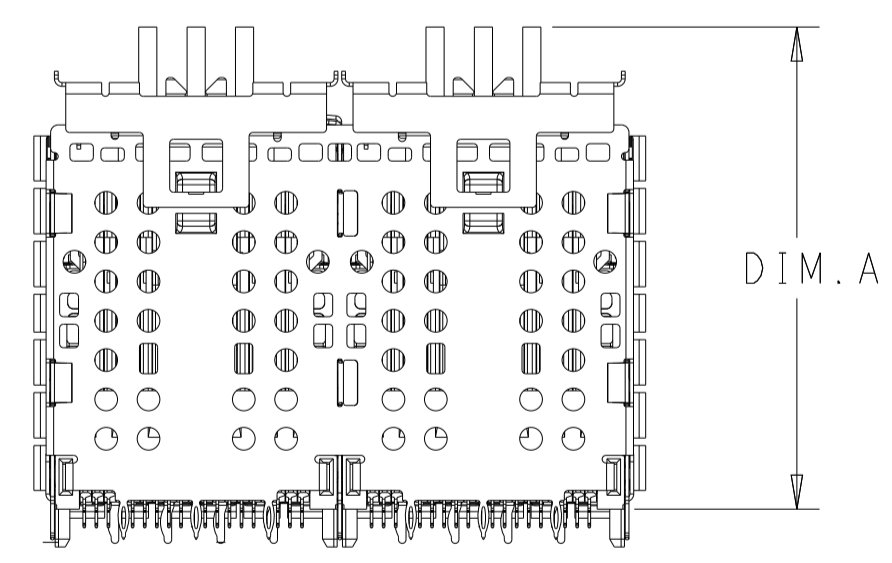
2299870-4 AS SHOWN
SAME AS 2299870-2 EXCEPT
W/O EXTERNAL HEAT SINK AND LP
SCALE 2:1



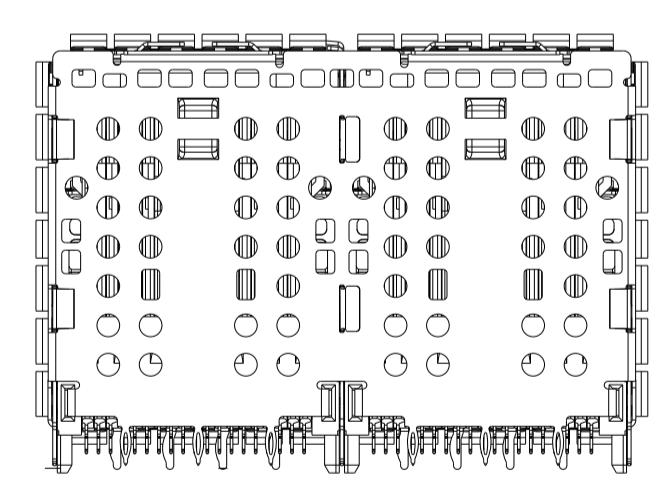
2299870-5
2-2299870-1
SCALE 2:1



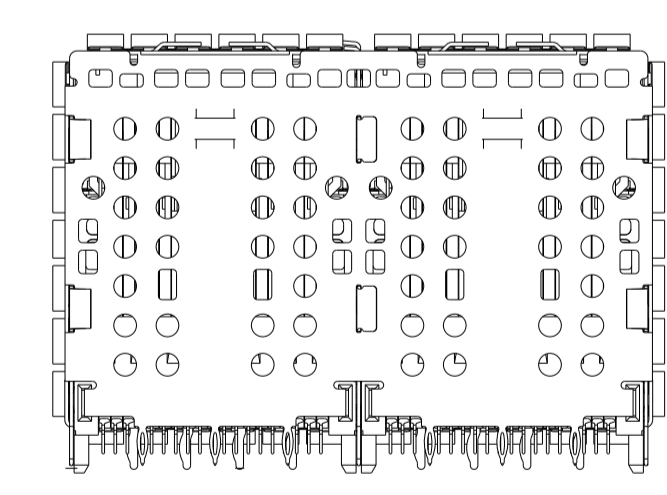
2299870-1
SCALE 2:1



2299870-2
1-2299870-2
SCALE 2:1



2299870-4
SCALE 2:1

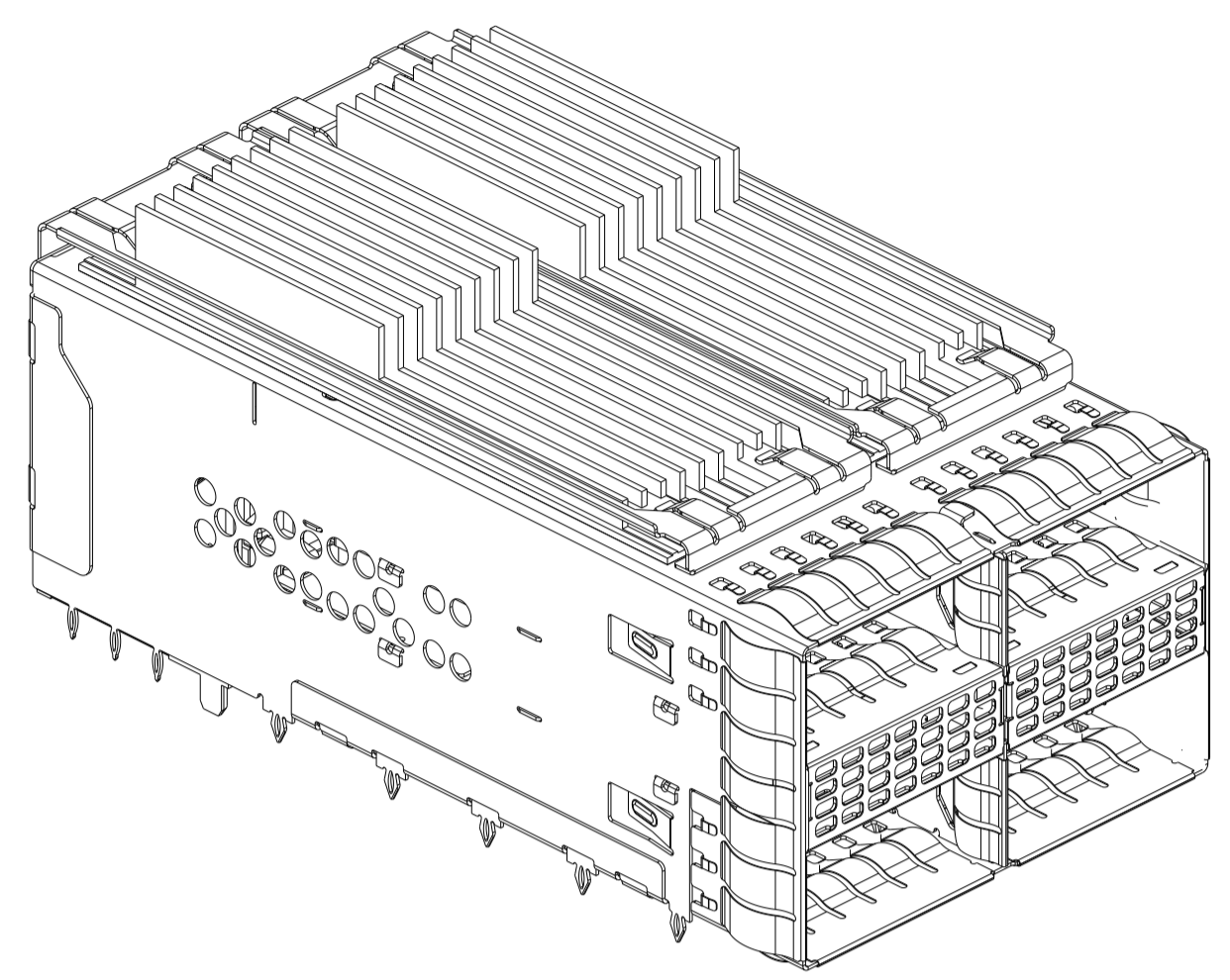


2299870-5
2-2299870-1
SCALE 2:1

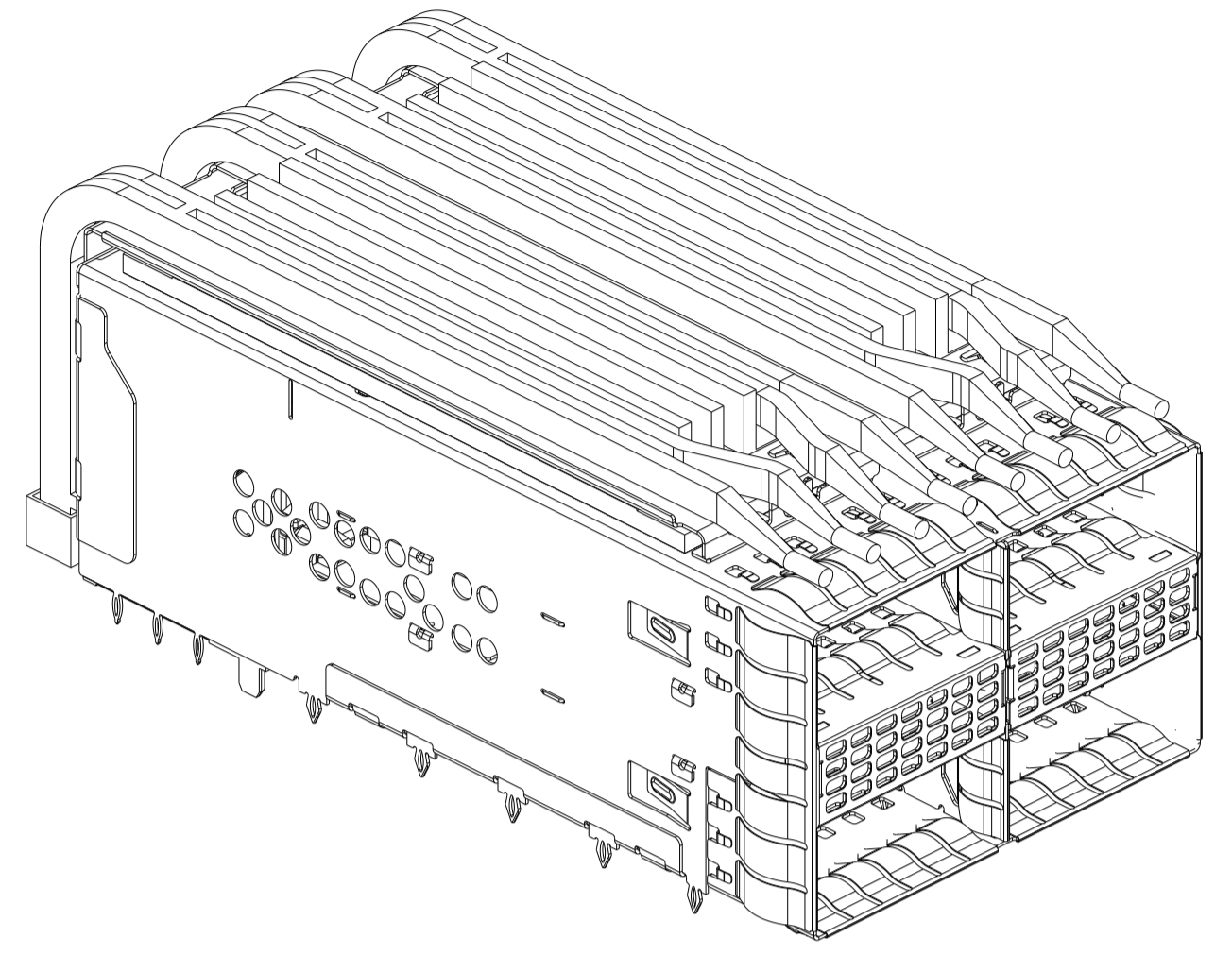
30.9	1-2299870-2
31.9	2299870-2
DIM.A	PART NUMBER

THIS DRAWING IS A CONTROLLED DOCUMENT.		OWN TIM XUE 28JAN2016	TE Connectivity
DIMENSIONS:		CHK SEAN HAN 28JAN2016	
mm	TOLERANCES UNLESS OTHERWISE SPECIFIED:	APVD SEAN HAN 28JAN2016	NAME
0 PLC ±	1 PLC ±0.25	PRODUCT SPEC	CAGE AND CONNECTOR ASSEMBLY WITH
2 PLC ±0.15	3 PLC ±	APPLICATION SPEC	EMI SPRING FINGERS, THRU BEZEL,
4 PLC ±	ANGLES ±	114-60015	2X2 ZQSF+ STACKED WITH HS
MATERIAL	FINISH	WEIGHT	SIZE
SEE NOTE 1	SEE NOTE 2	CUSTOMER DRAWING	A100779C=2299870
		RESTRICTED TO	SCALE 4:1 SHEET 2 OF 15 REV K

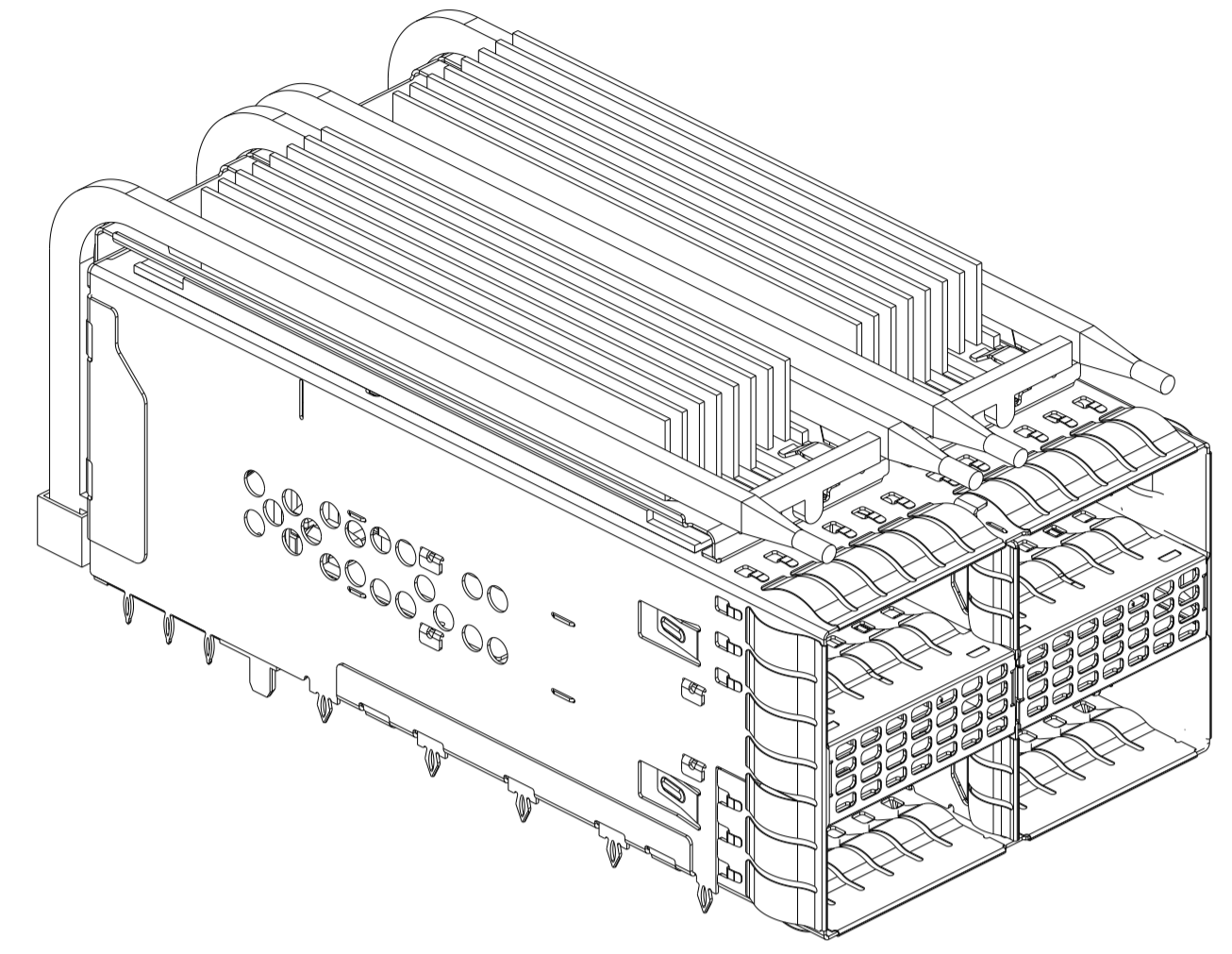
LOC	DIST	REVISIONS			
P	LTN	DESCRIPTION	DATE	DMN	APVD
GP	00	SEE SHEET 1			



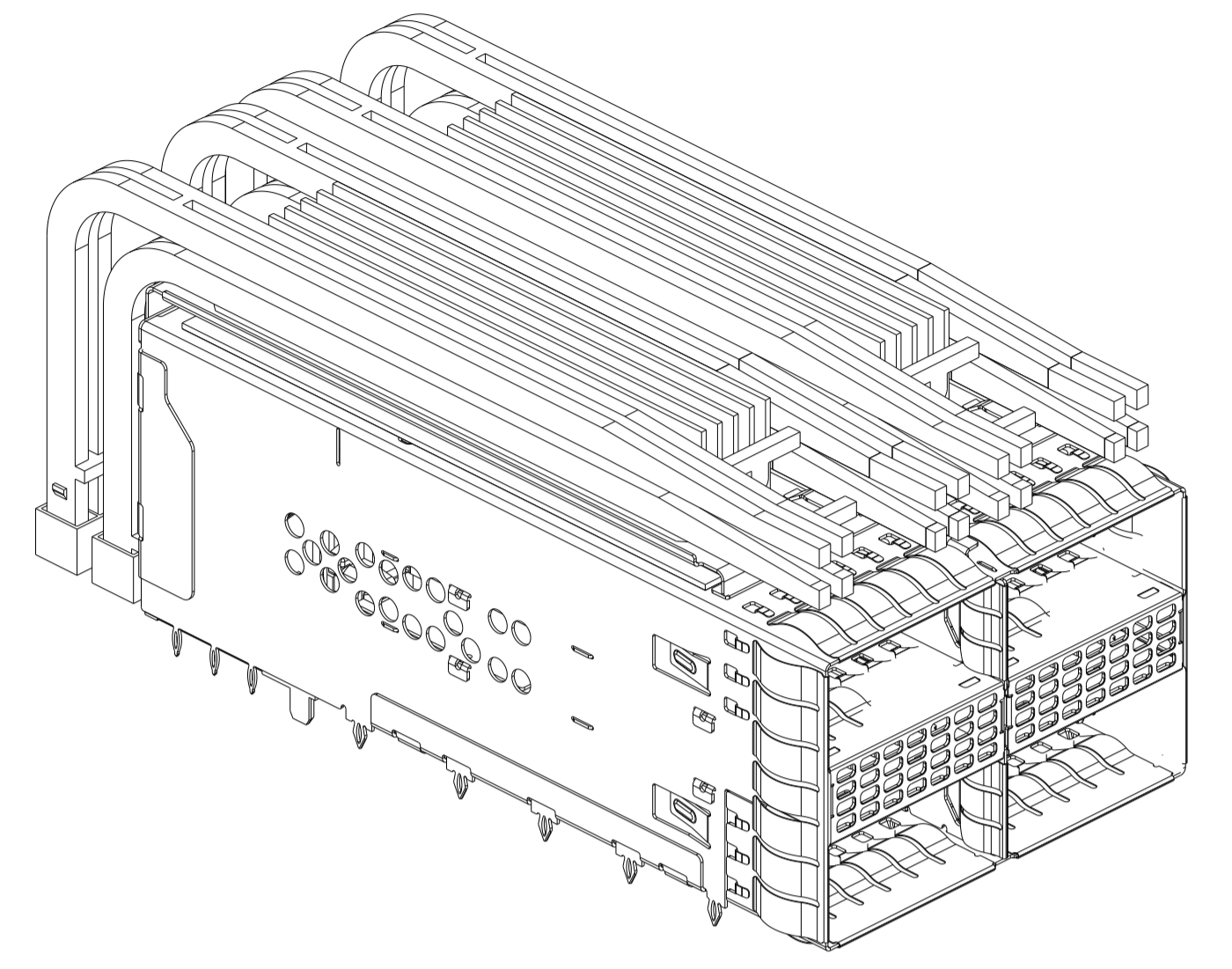
2299870-6
SCALE 2:1



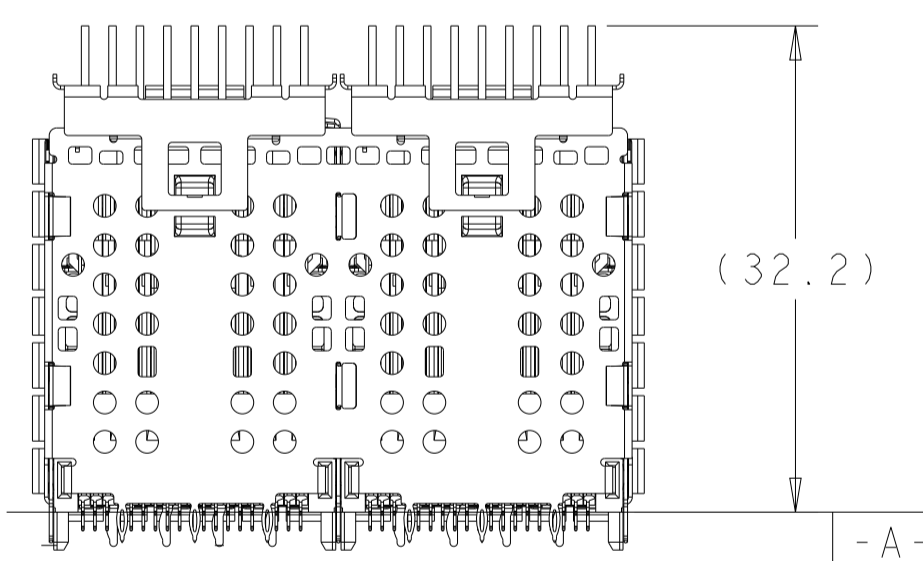
2299870-7
SCALE 2:1



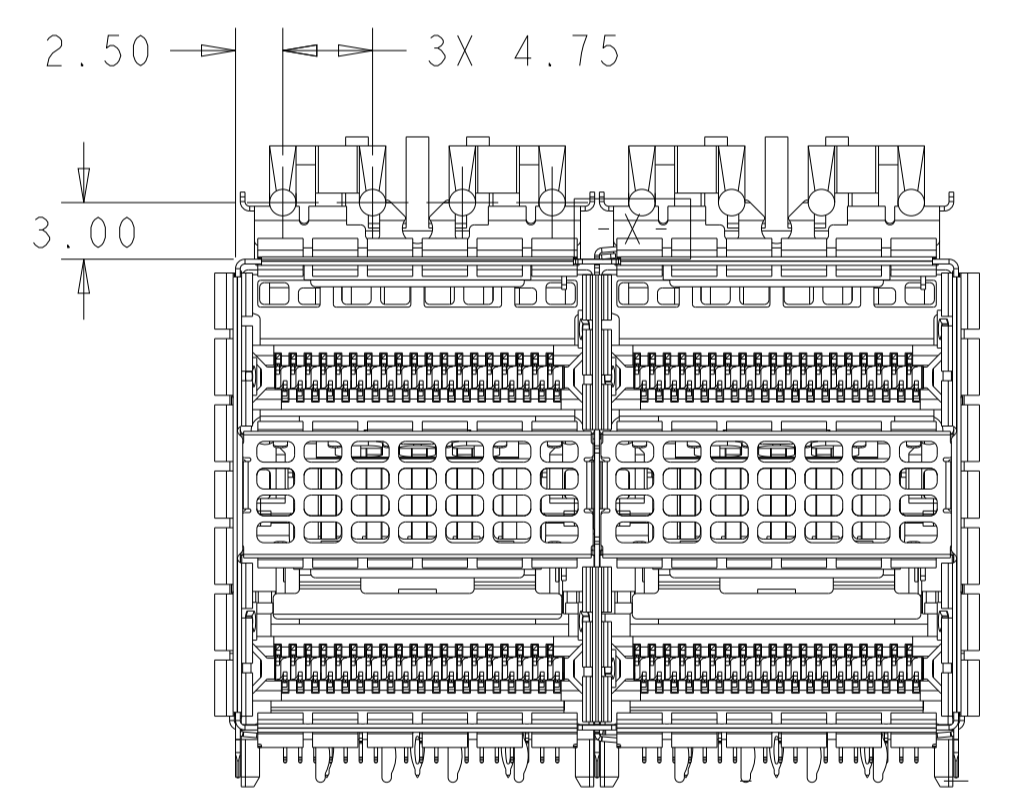
2299870-8
SCALE 2:1



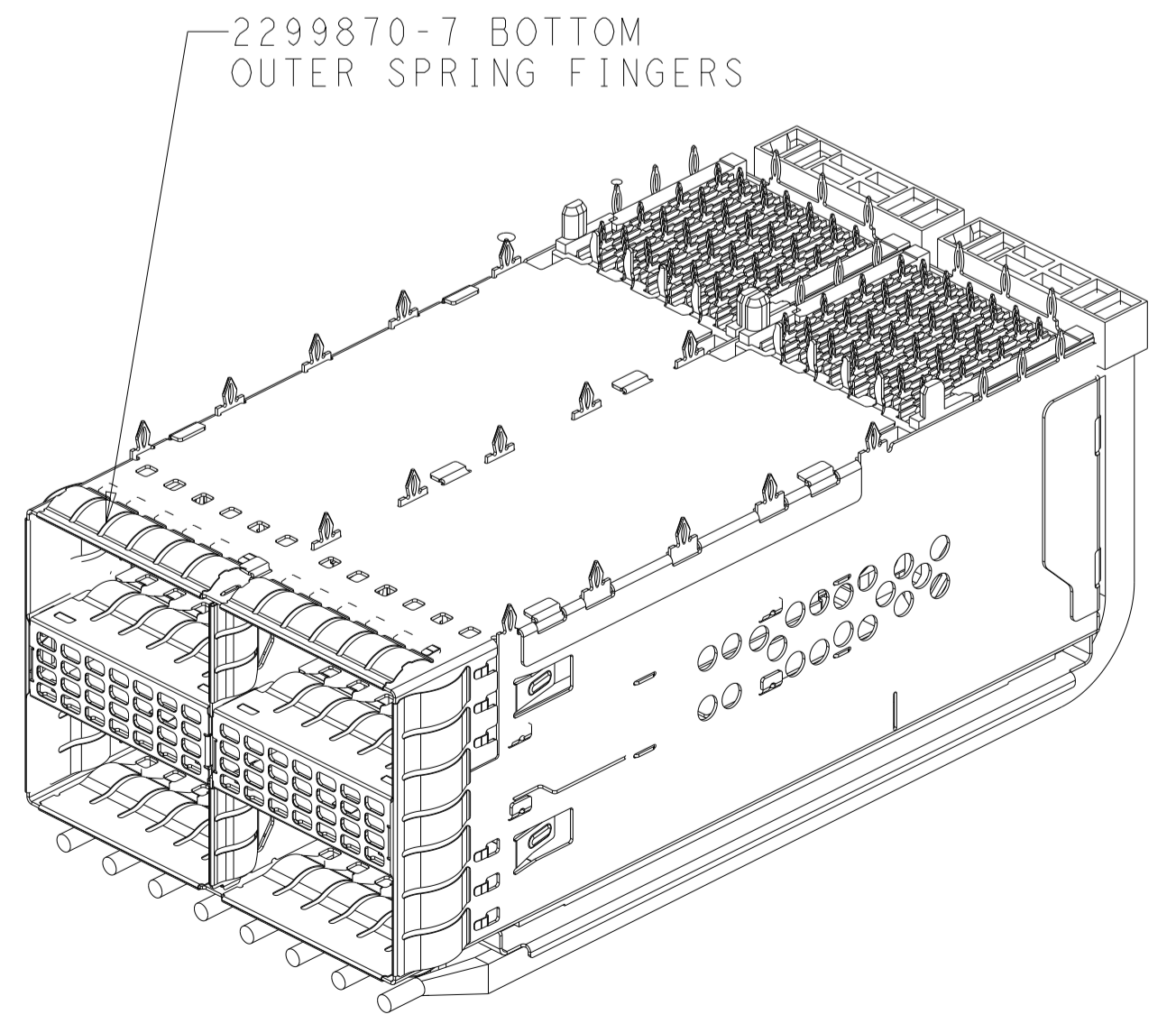
2299870-9
SCALE 2:1



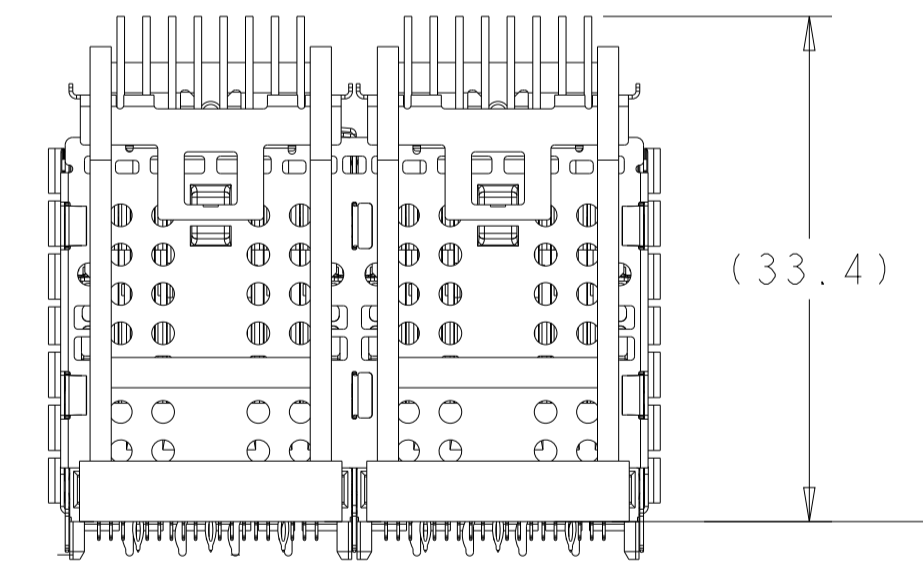
2299870-6
SCALE 2:1



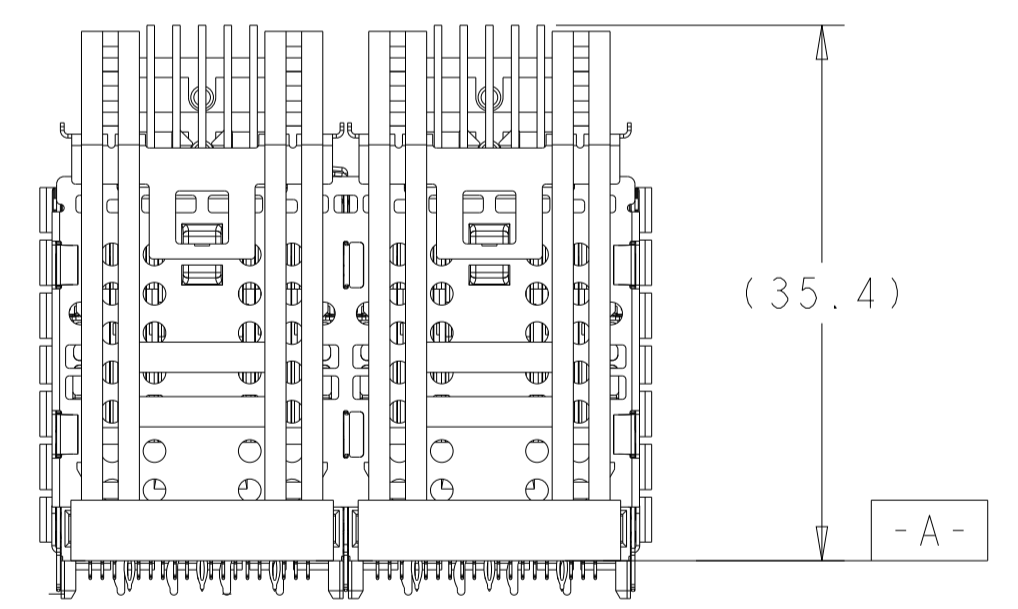
SCALE 5:2



2299870-7
SCALE 2:1



2299870-8
SCALE 2:1



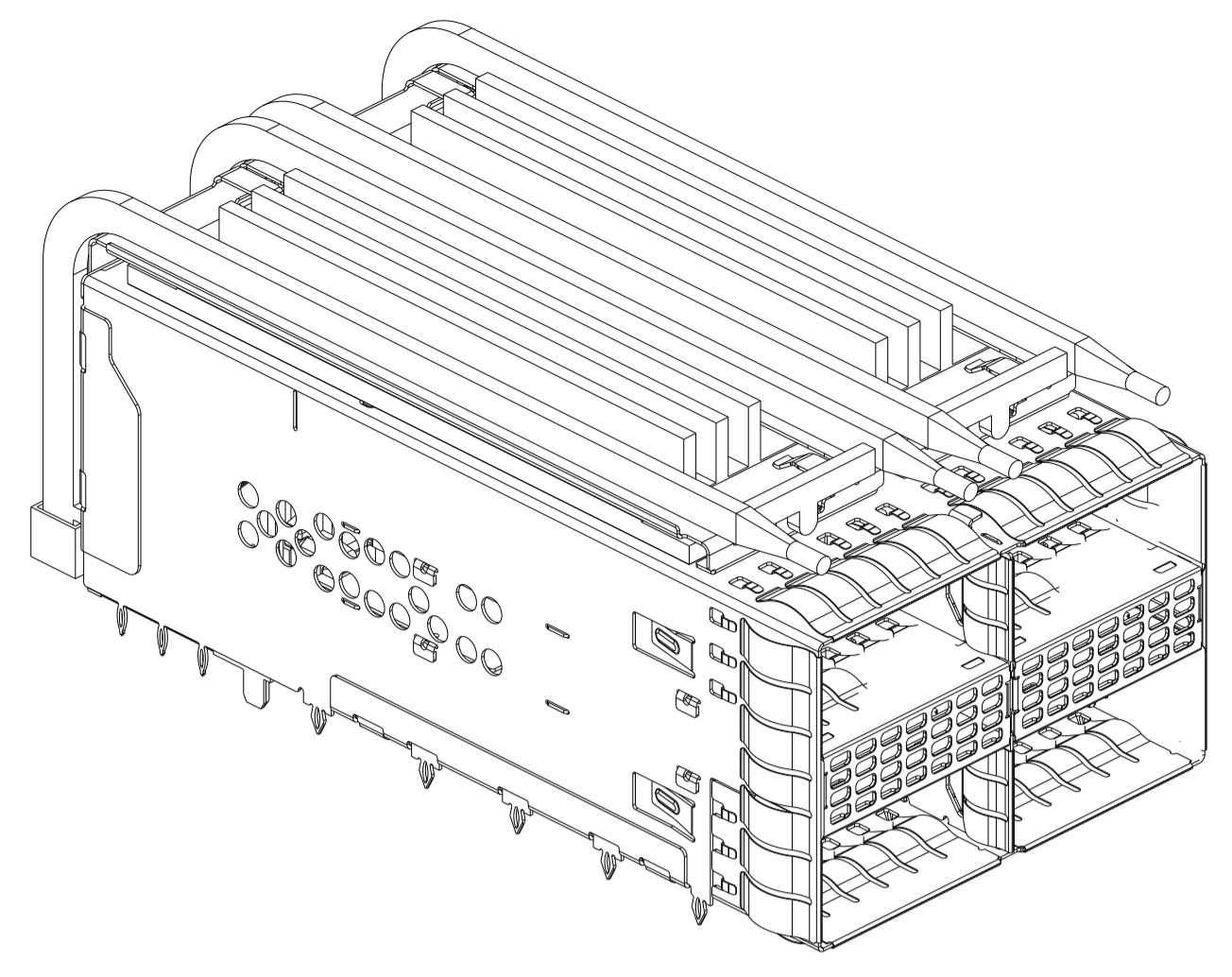
SCALE 2:1

THIS DRAWING IS A CONTROLLED DOCUMENT.

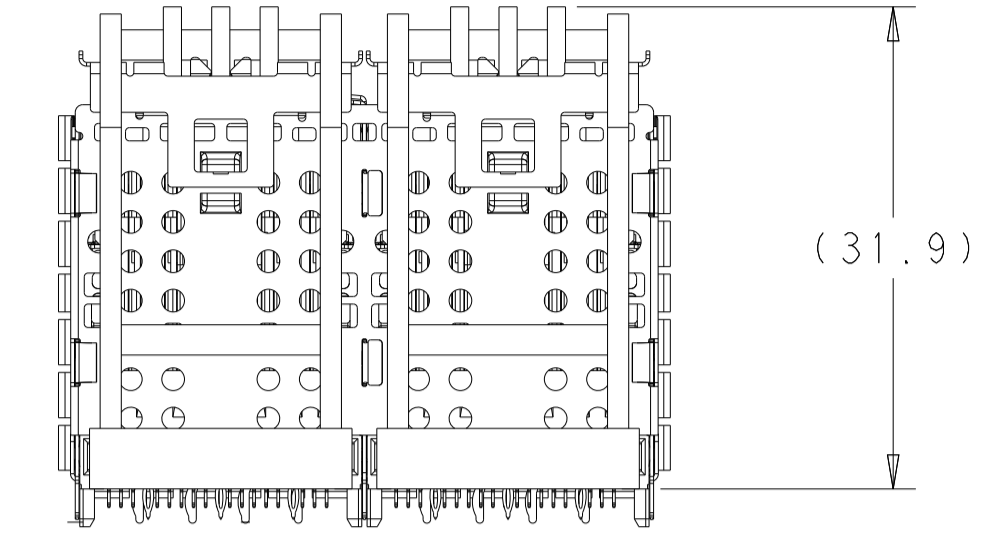
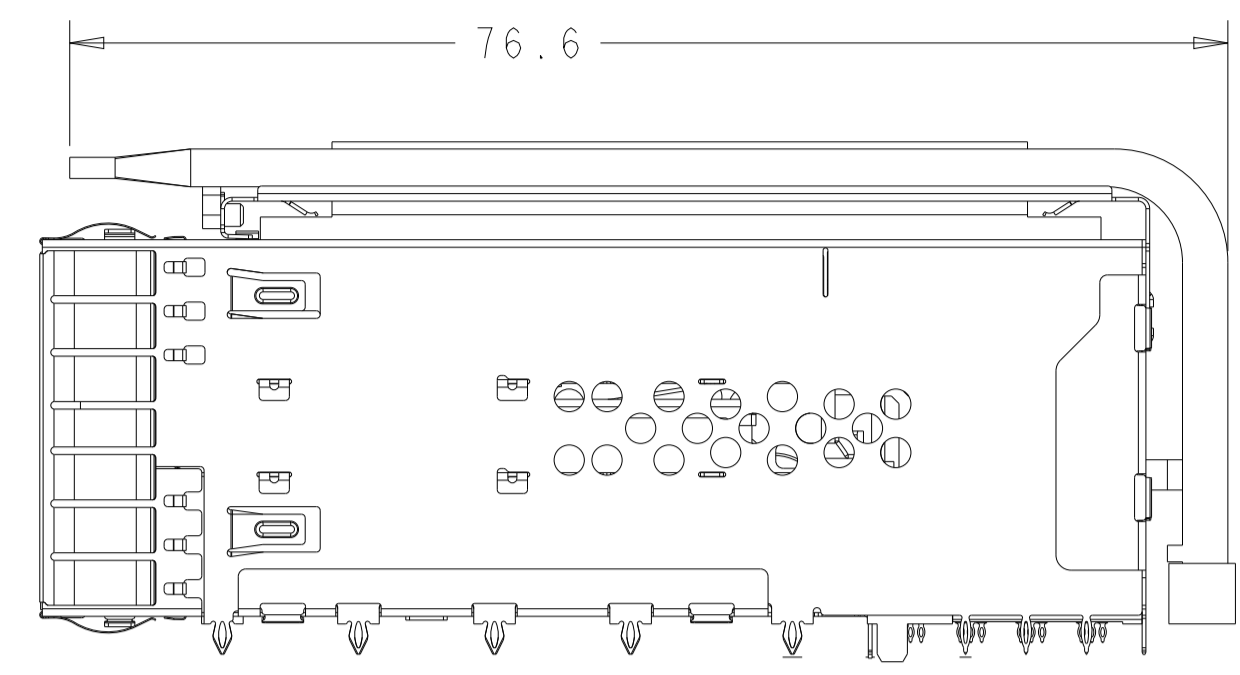
DIMENSIONS: mm 	TOLERANCES UNLESS OTHERWISE SPECIFIED: 0 PLC ± 1 PLC ±0.25 2 PLC ±0.15 3 PLC ± 4 PLC ± ANGLES ± FINISH ±	DMN: TIM XUE 28JAN2016 CHK: SEAN HAN 28JAN2016 APVD: SEAN HAN 28JAN2016 PRODUCT SPEC: 108-60102 APPLICATION SPEC: 114-60015 WEIGHT: - CUSTOMER DRAWING	NAME: CAGE AND CONNECTOR ASSEMBLY WITH EMI SPRING FINGERS, THRU BEZEL, 2X2 ZOSFP+ STACKED WITH HS SIZE: A1 CAGE CODE: 100779 DRAWING NO: C=2299870 RESTRICTED TO: - SCALE: 4:1 SHEET: 3 OF 15 REV: K
-----------------------	---	--	---

TE Connectivity

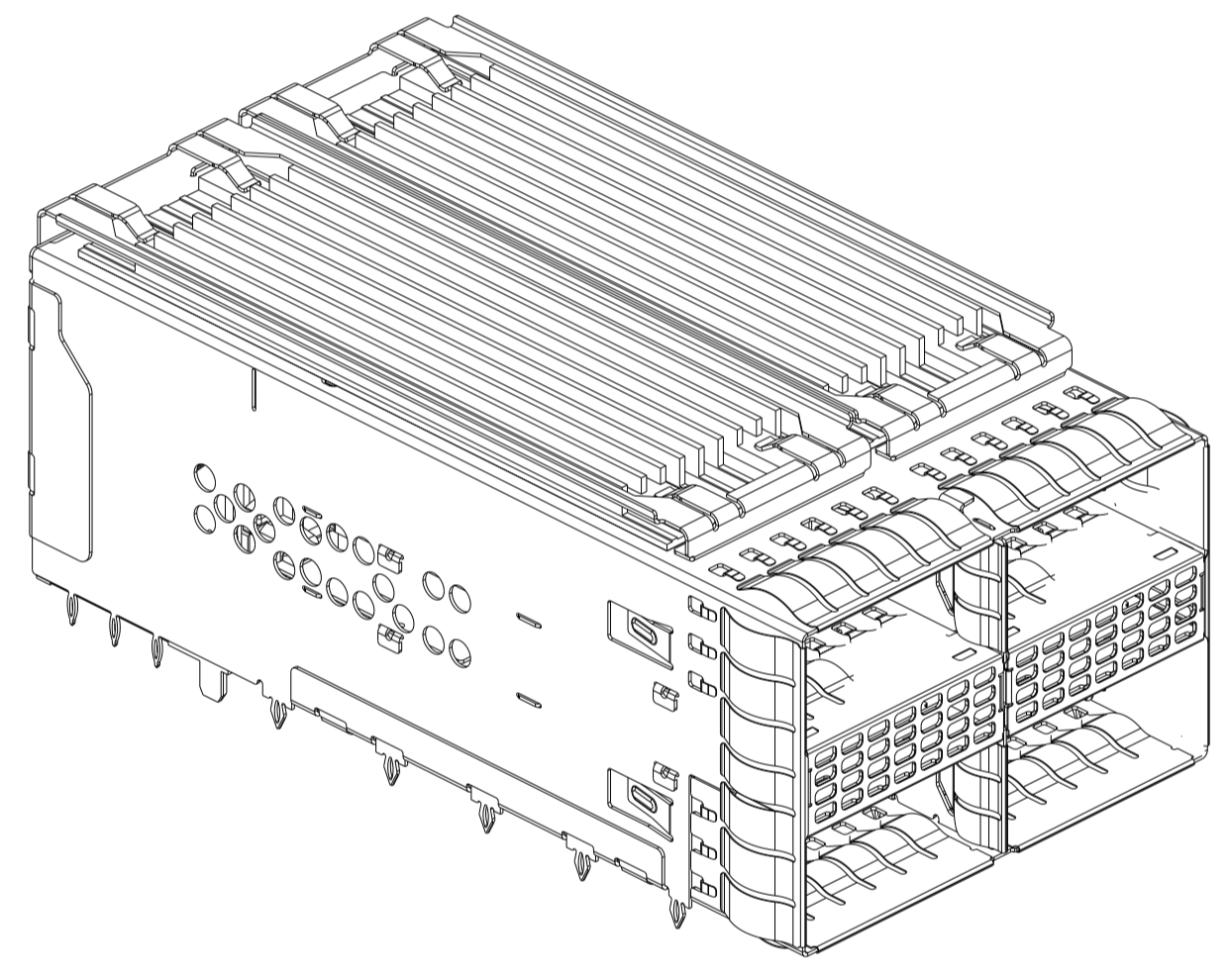
LOC		DIST		REVISIONS				
P	LYN	DATE	OWN	APVD	DESCRIPTION	DATE	OWN	APVD
-	-	-	-	-	SEE SHEET 1	-	-	-



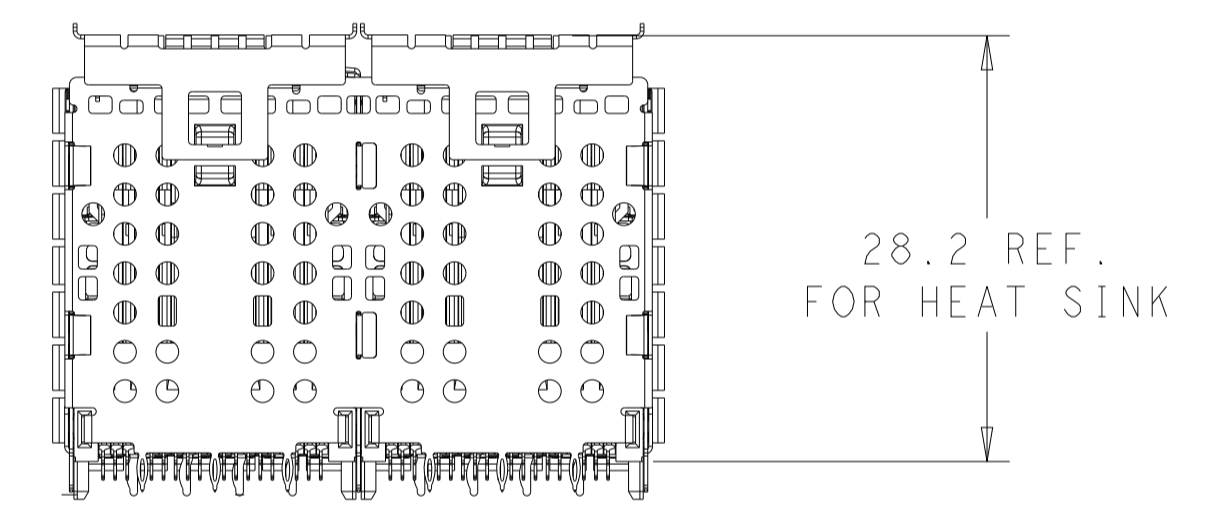
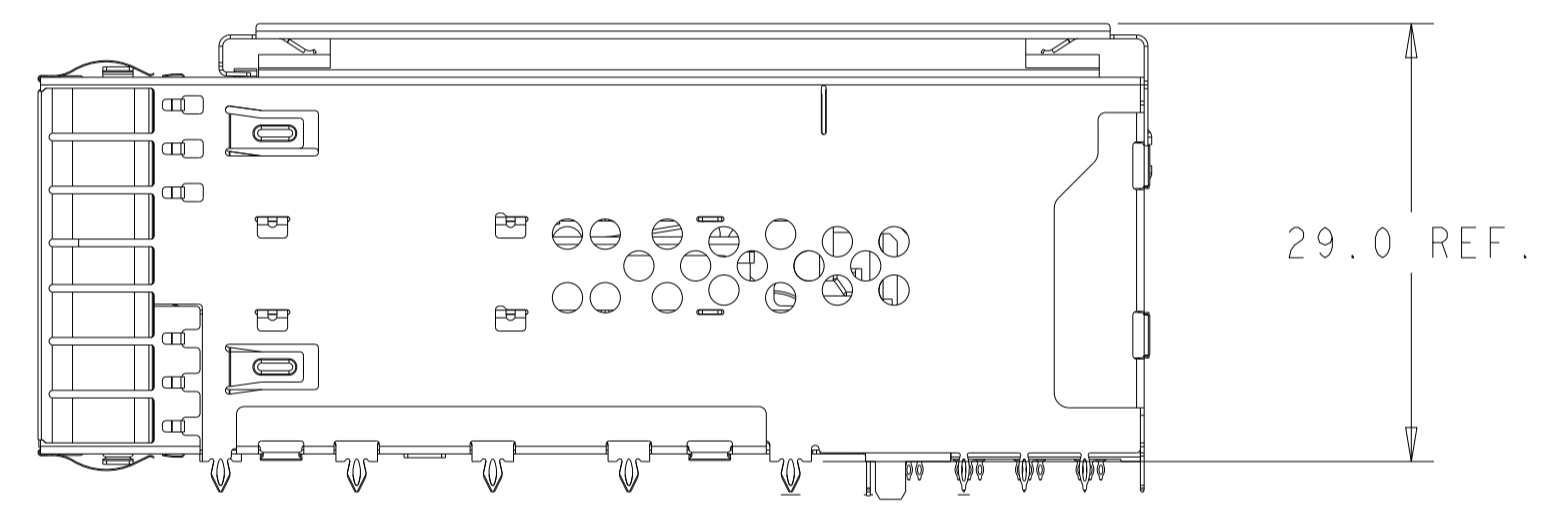
1-2299870-0
SCALE 2:1



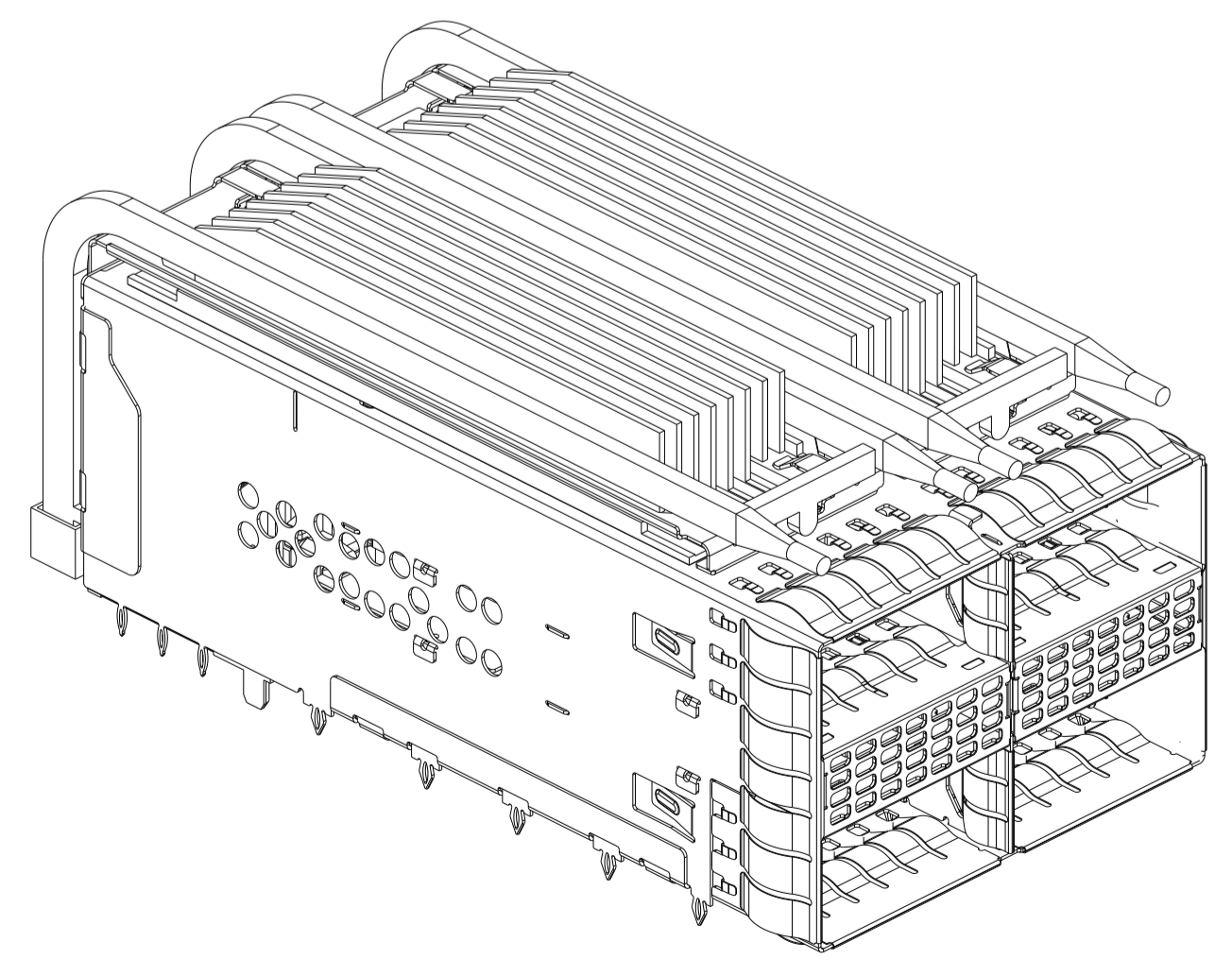
1-2299870-0
SCALE 2:1



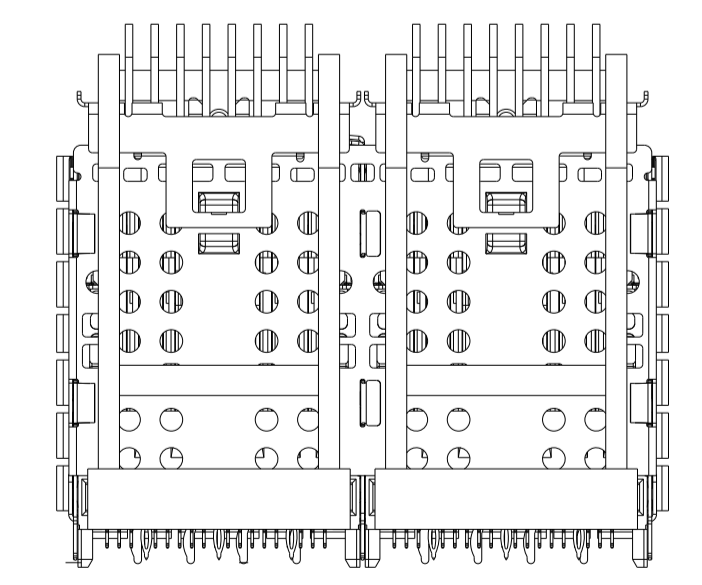
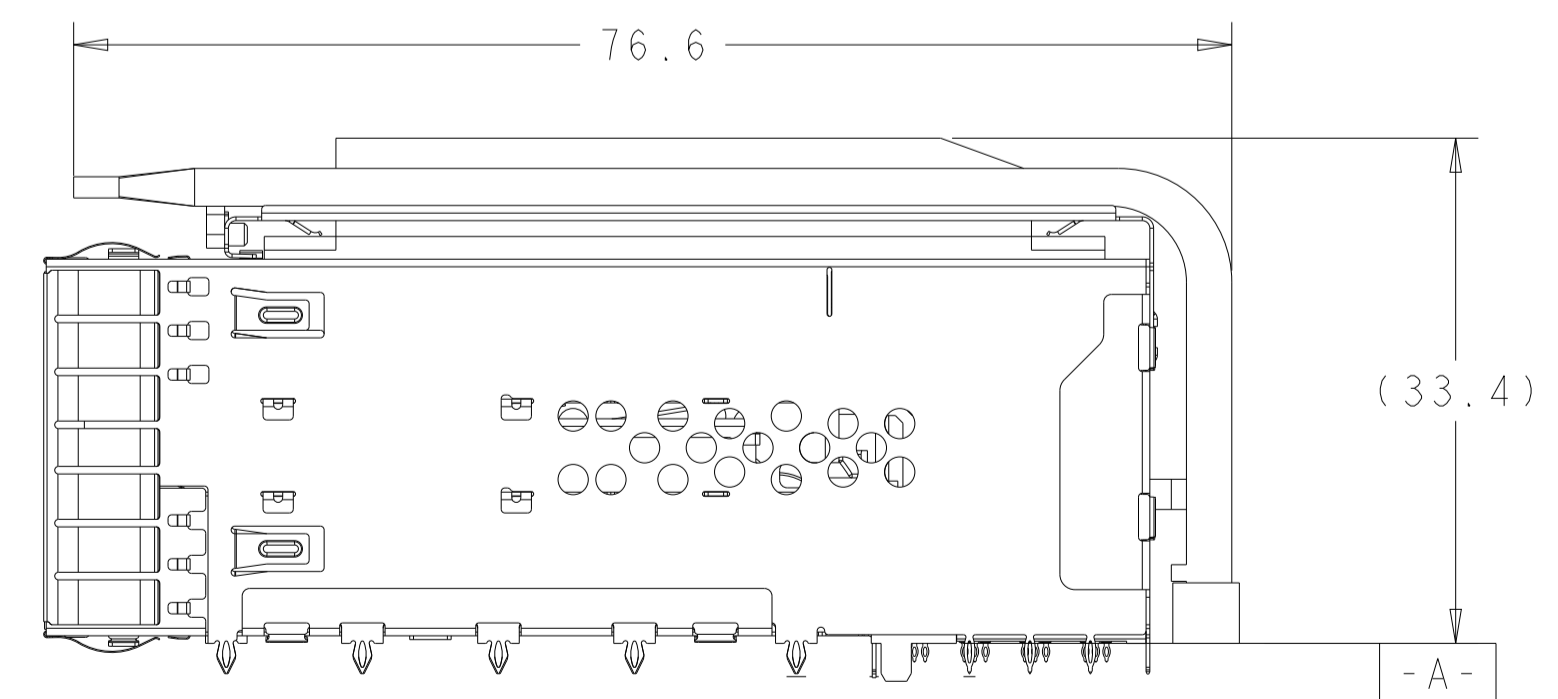
1-2299870-6
SCALE 2:1



SCALE 2:1



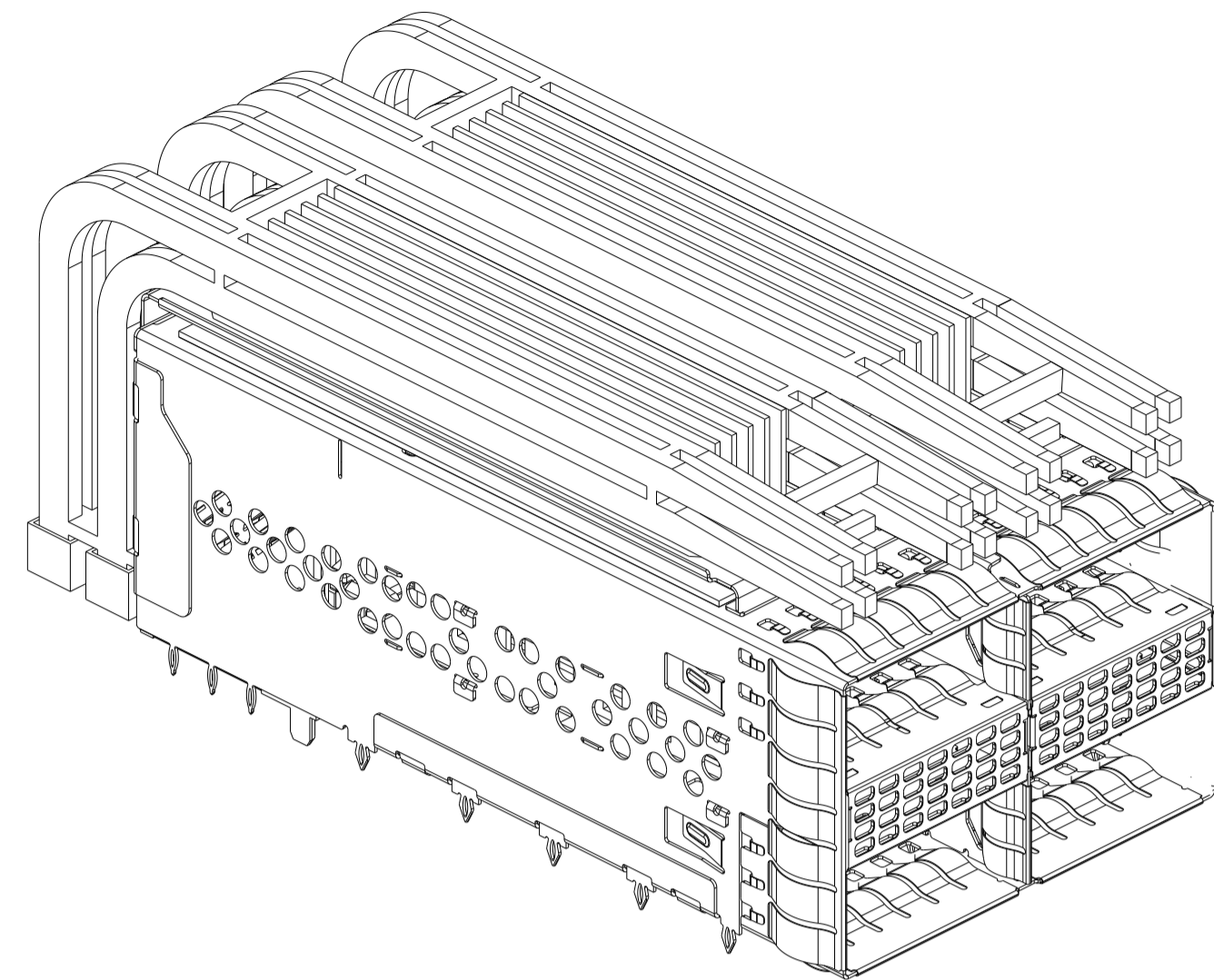
1-2299870-8
2-2299870-8
SCALE 2:1



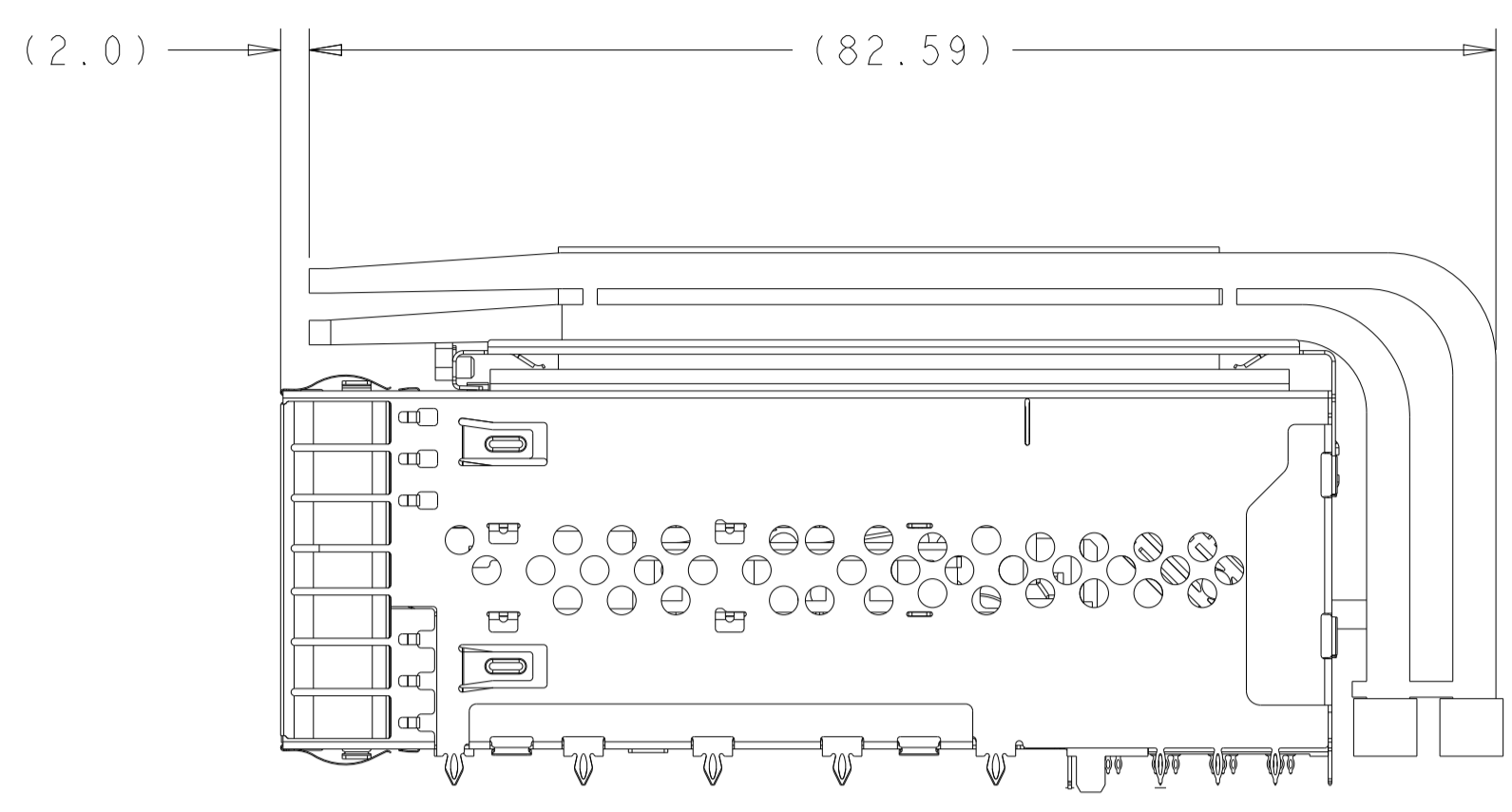
1-2299870-8
2-2299870-8
SCALE 2:1

THIS DRAWING IS A CONTROLLED DOCUMENT.		OWN TIM XUE 28JAN2016	
DIMENSIONS:		CHK SEAN HAN 28JAN2016	
mm	TOLERANCES UNLESS OTHERWISE SPECIFIED:	APVD SEAN HAN 28JAN2016	NAME
0 PLC ±	1 PLC ±0.25	PRODUCT SPEC	CAGE AND CONNECTOR ASSEMBLY WITH EMI SPRING FINGERS, THRU BEZEL, 2X2 ZQSPF+ STACKED WITH HS
2 PLC ±0.15	3 PLC ±	APPLICATION SPEC	SIZE
4 PLC ±	ANGLES ±	114-60015	CAGE CODE
MATERIAL	FINISH	WEIGHT	DRAWING NO
SEE NOTE 1	SEE NOTE 2	CUSTOMER DRAWING	A100779C=2299870
		RESTRICTED TO	SCALE 4:1 SHEET 4 OF 15 REV K

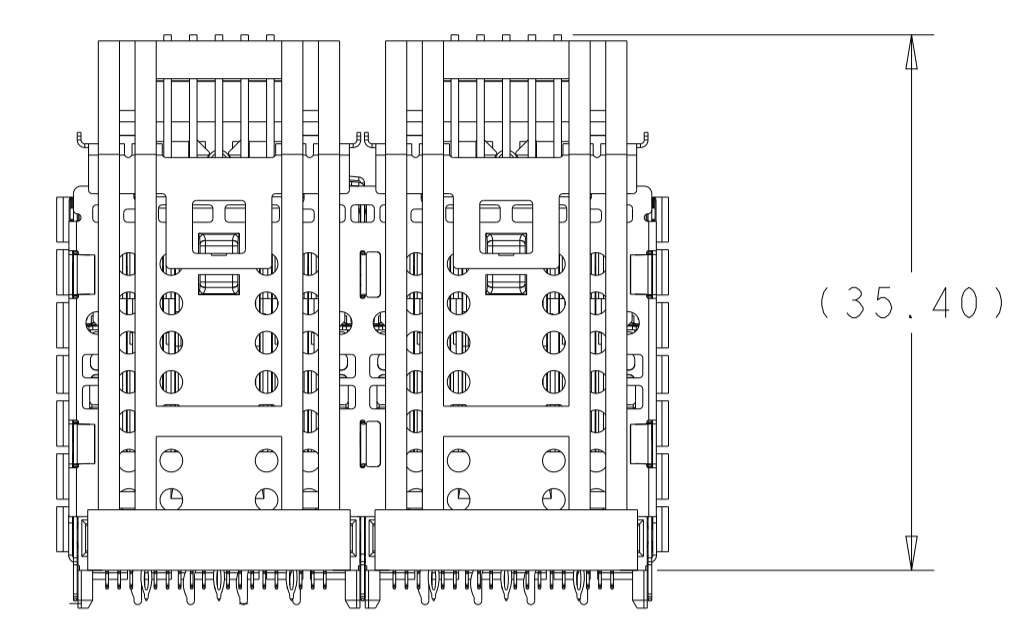
LOC	DIST	REVISIONS			
P	LTN	DESCRIPTION	DATE	DMN	APVD
-	-	SEE SHEET 1	-	-	-



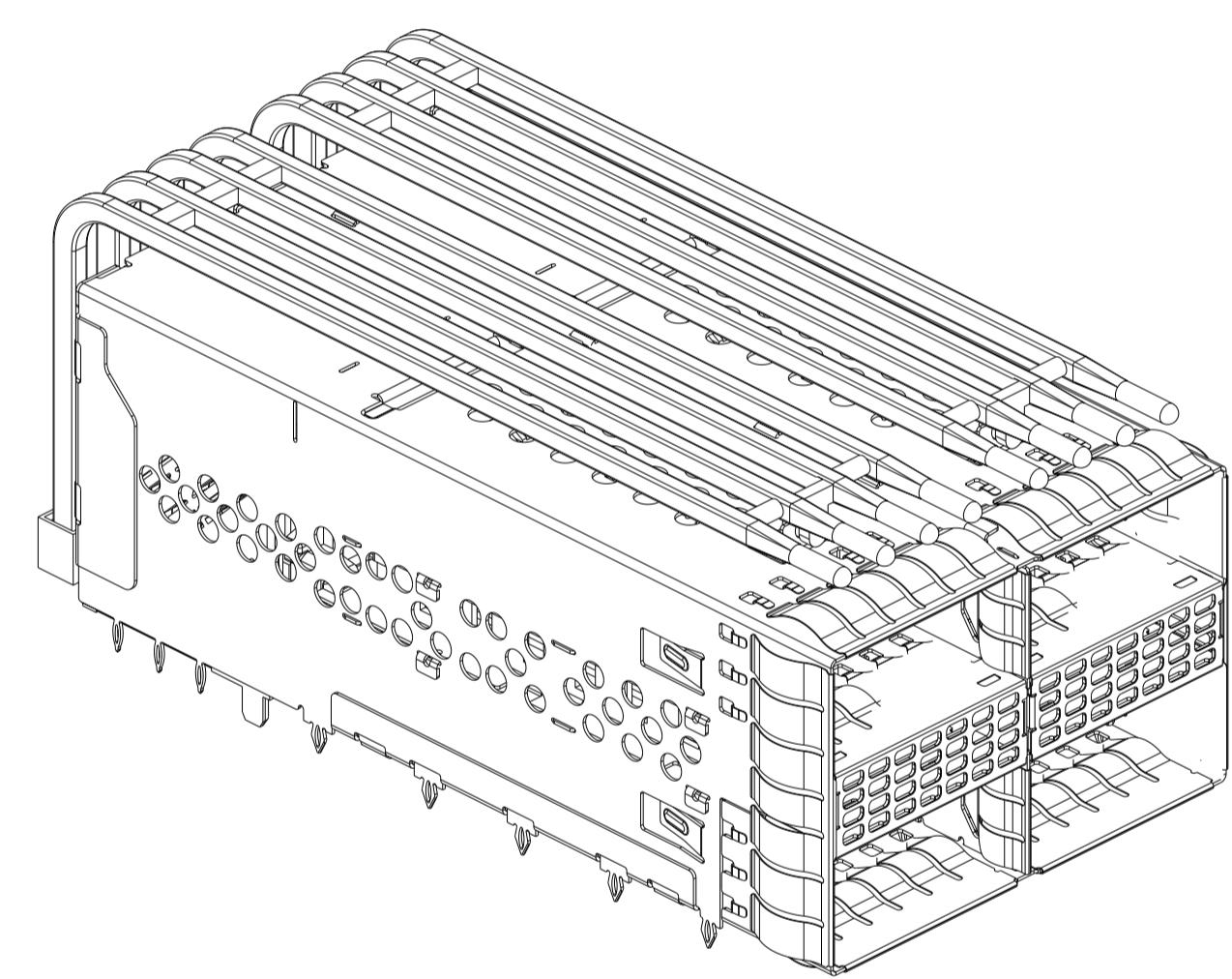
1-2299870-5
SCALE 2:1



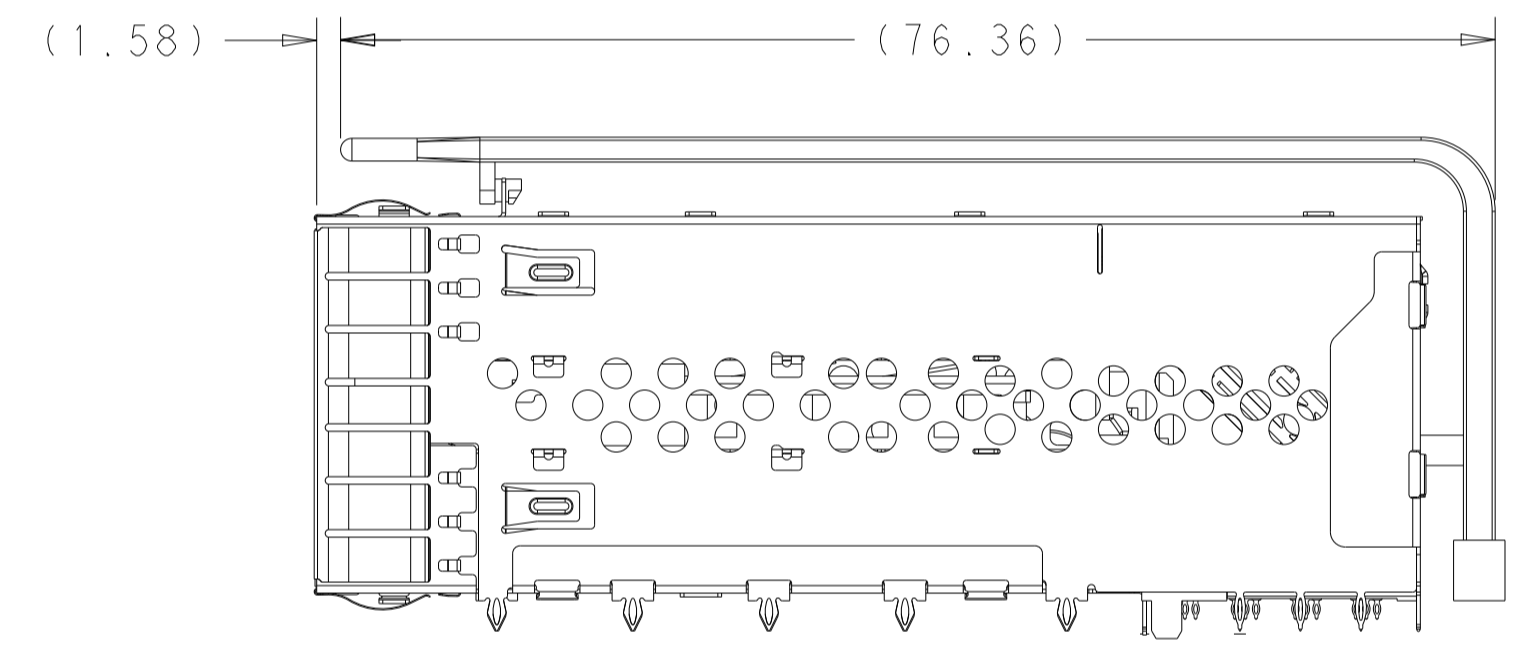
SCALE 2:1



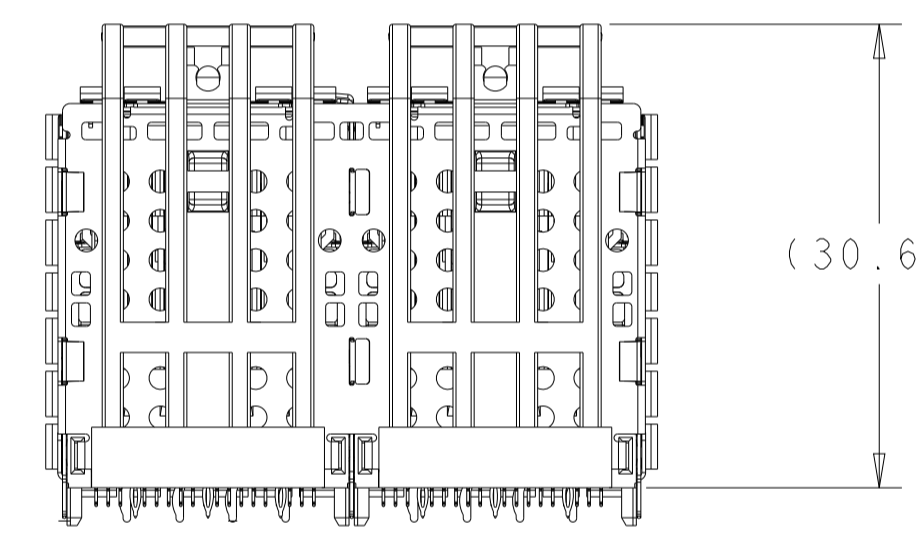
(35.40)



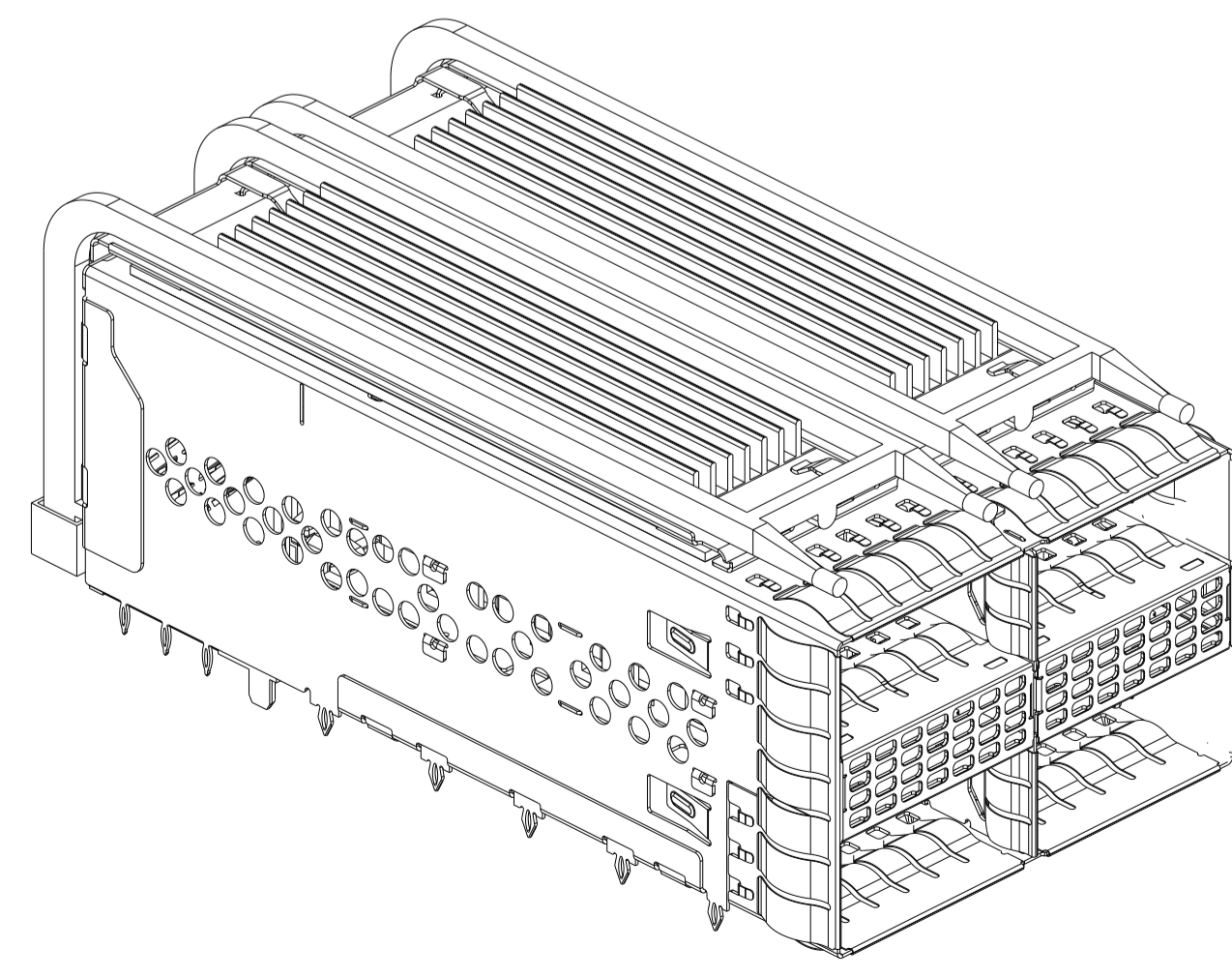
2-2299870-5
SCALE 2:1



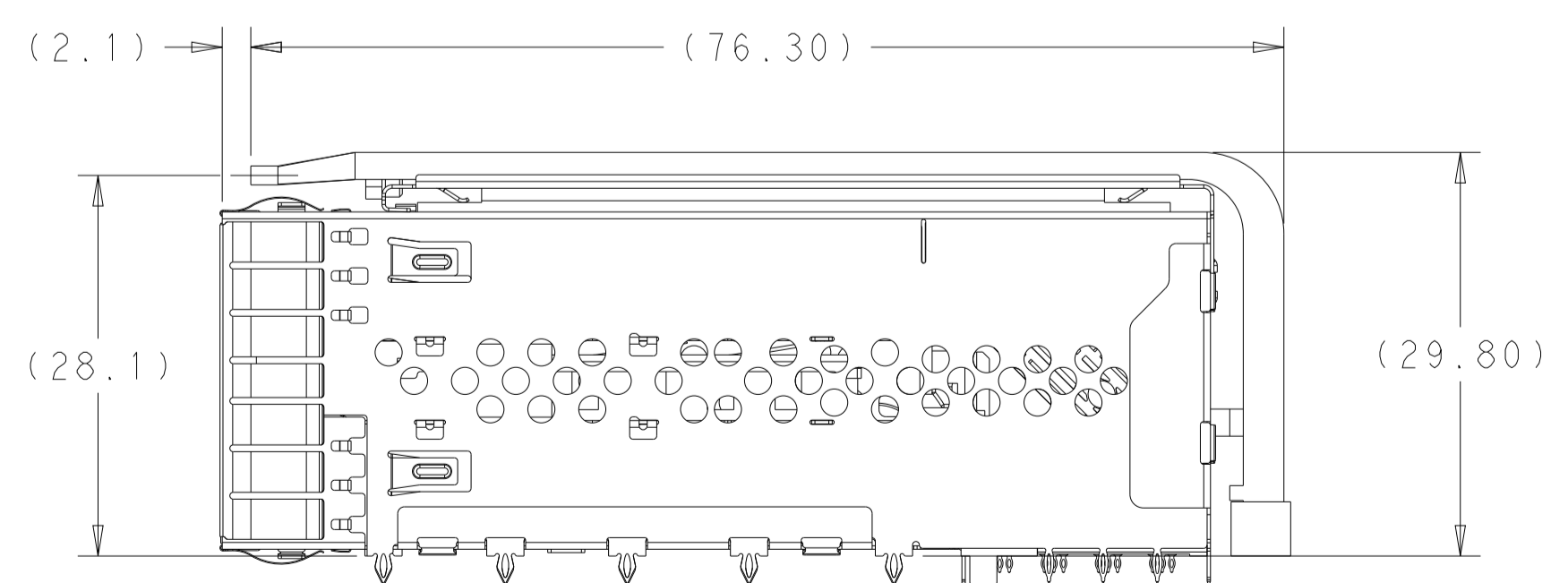
SCALE 2:1



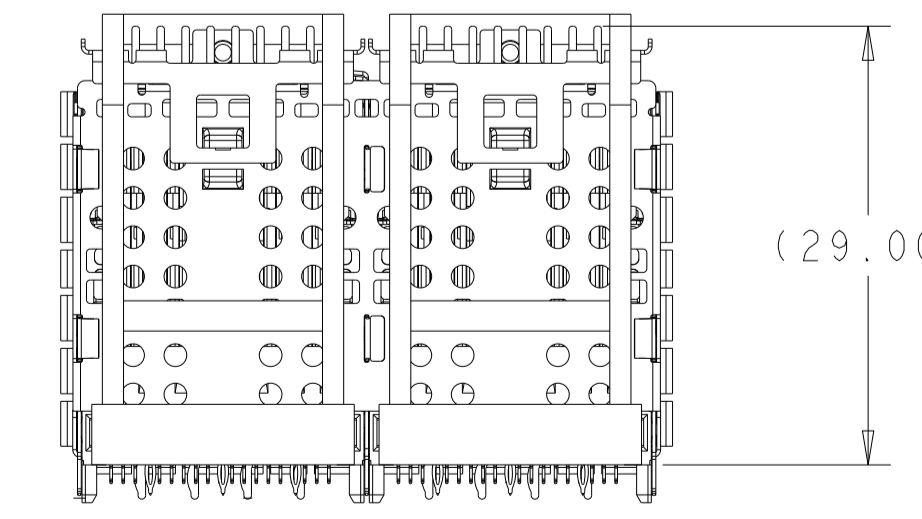
(30.64)



2-2299870-0
SCALE 2:1



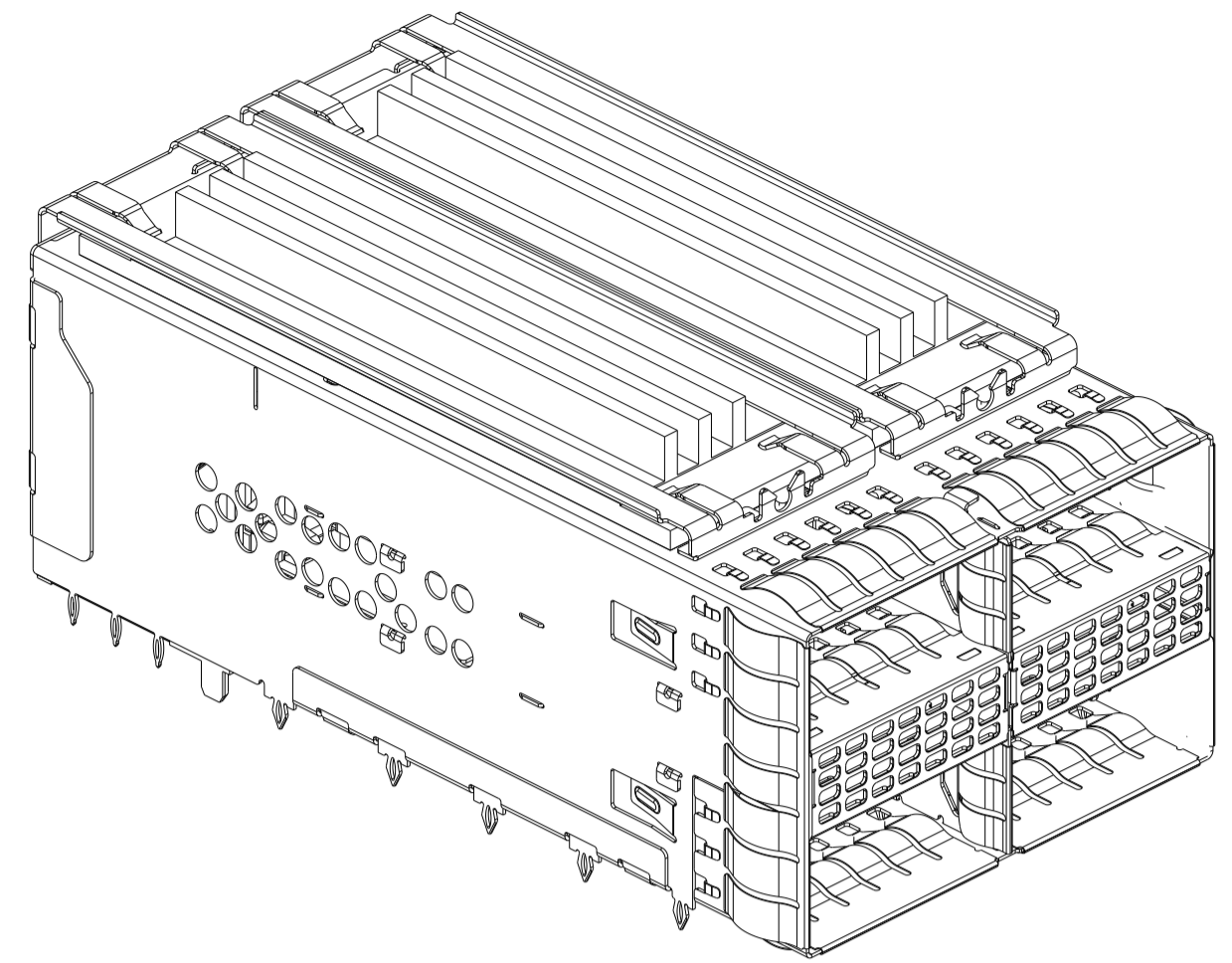
SCALE 2:1



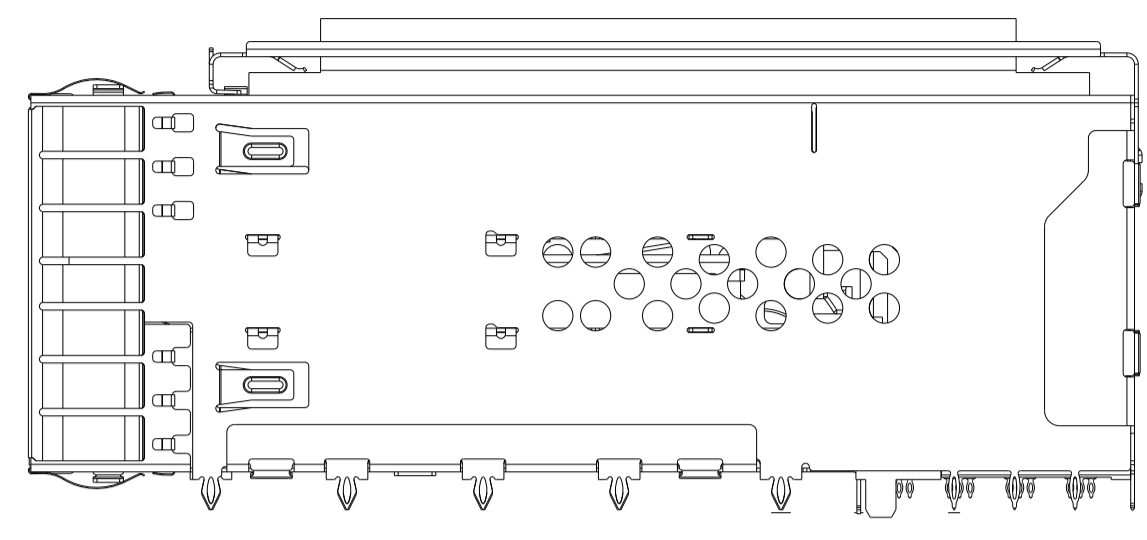
(29.00)

THIS DRAWING IS A CONTROLLED DOCUMENT.		DMN TIM XUE 28JAN2016	28JAN2016	
DIMENSIONS:		CHK SEAN HAN 28JAN2016	28JAN2016	
mm	TOLERANCES UNLESS OTHERWISE SPECIFIED:	APVD SEAN HAN 28JAN2016	NAME	CAGE AND CONNECTOR ASSEMBLY WITH EMI SPRING FINGERS, THRU BEZEL, 2X2 ZQSF+ STACKED WITH HS
	0 PLC ± 1 PLC ±0.25 2 PLC ±0.15 3 PLC ± 4 PLC ± ANGLES ± FINISH ±	PRODUCT SPEC 108-60102 APPLICATION SPEC 114-60015	SIZE A100779	
MATERIAL SEE NOTE 1	SEE NOTE 2	WEIGHT -	CAGE CODE DRAWING NO C=2299870	RESTRICTED TO -
CUSTOMER DRAWING		SCALE 4:1	SHEET 5 OF 15	REV K

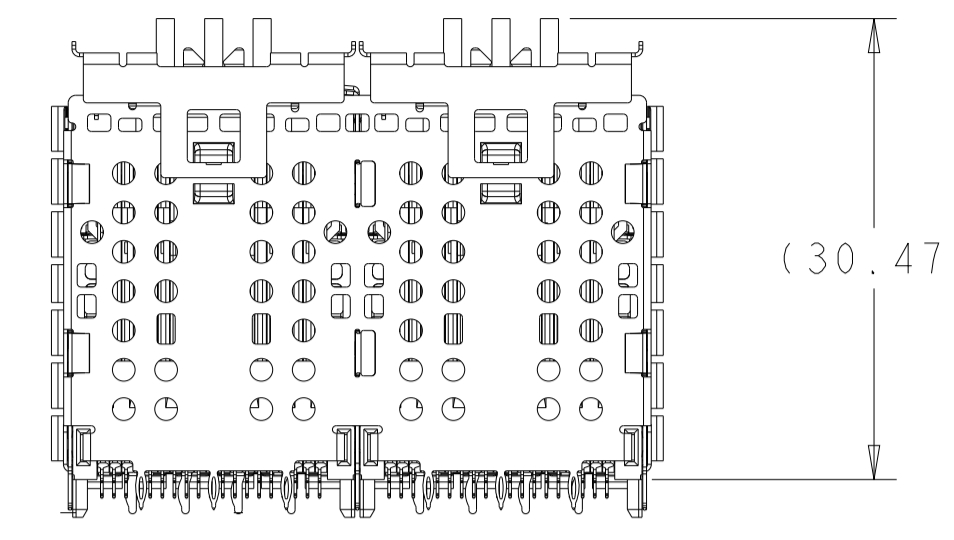
LOC		DIST		REVISIONS			
P	LYR	DESCRIPTION	DATE	OWN	APVD		
-	-	SEE SHEET 1	-	-	-		



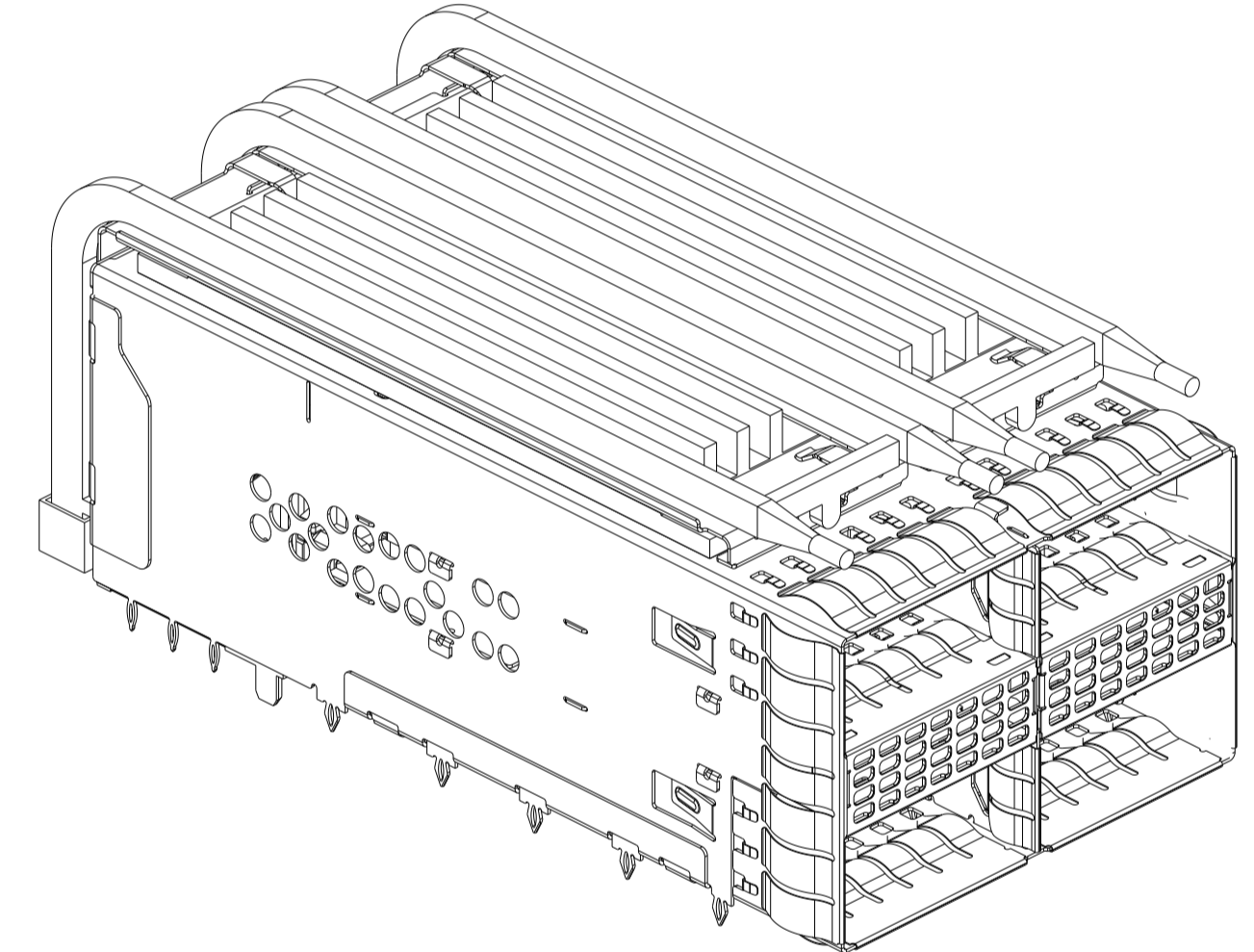
2-2299870-2
SCALE 2:1



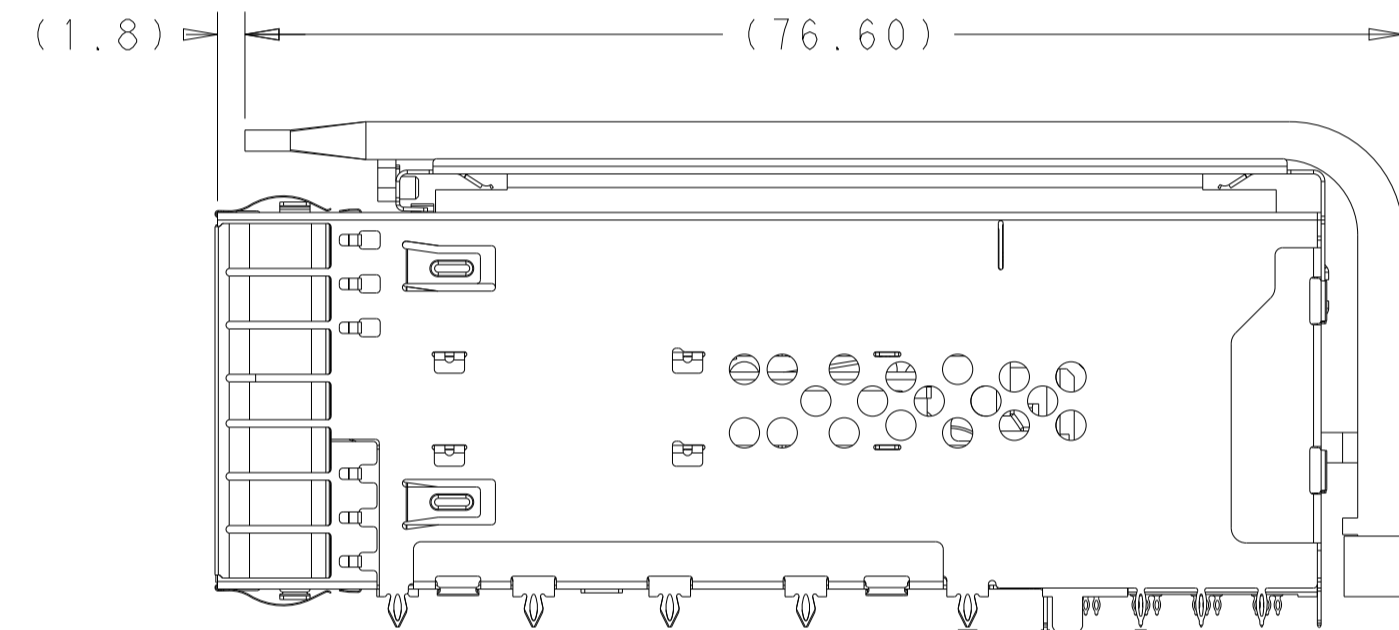
SCALE 2:1



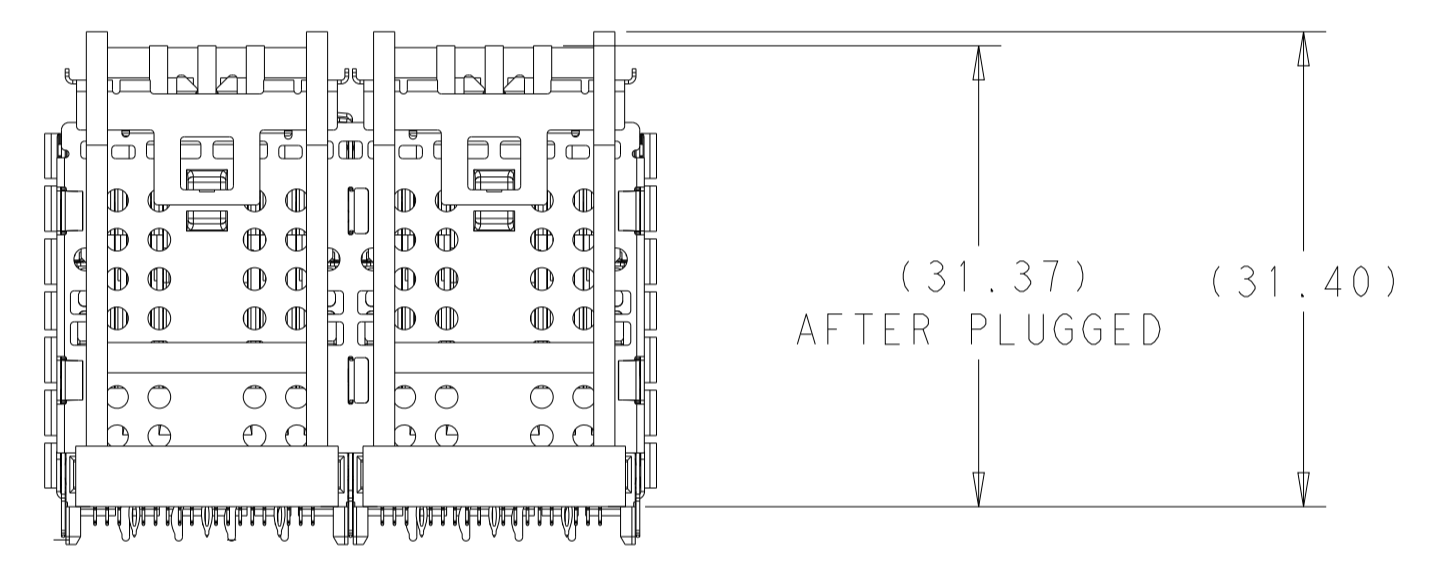
(30.47)



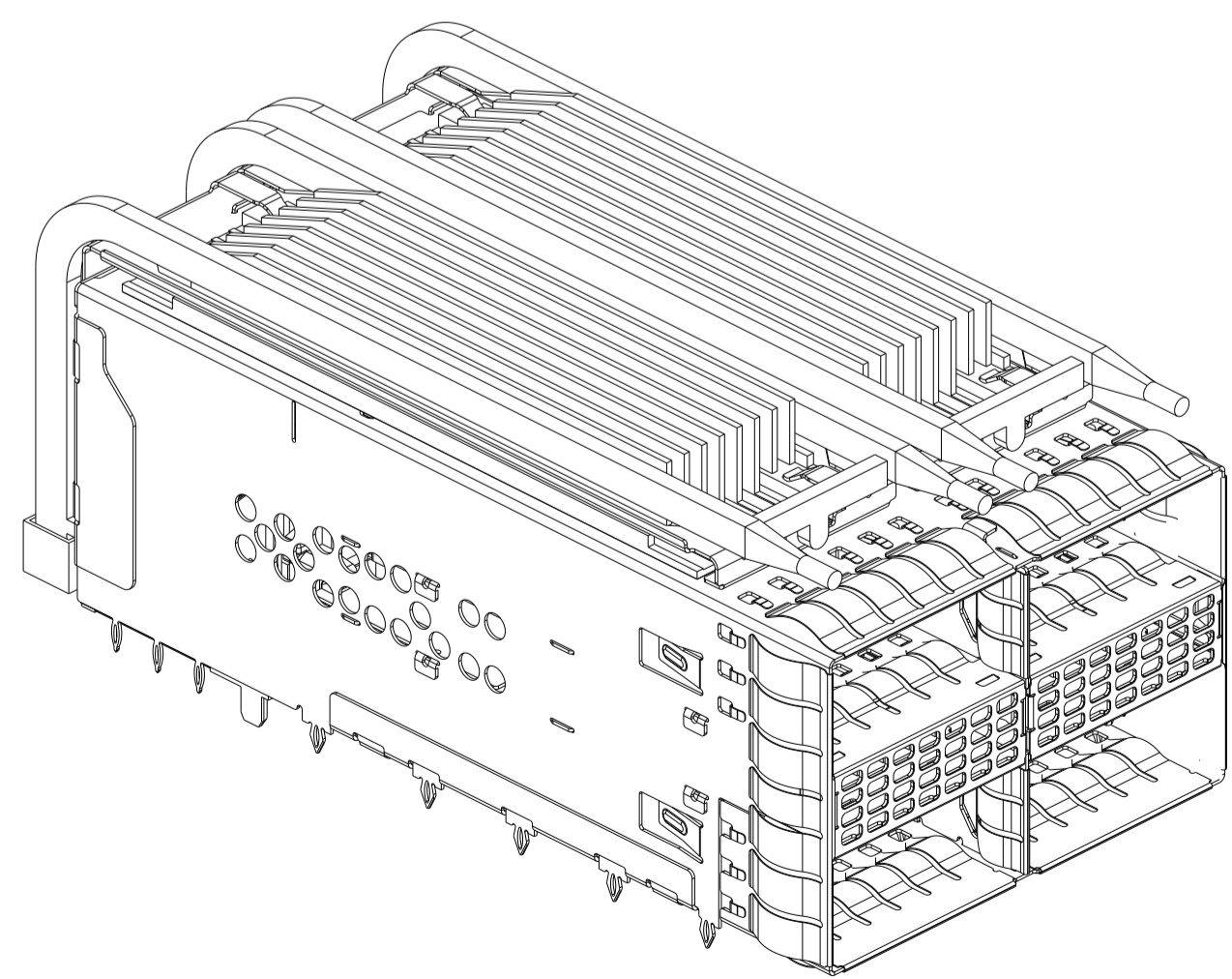
2-2299870-3
SCALE 2:1



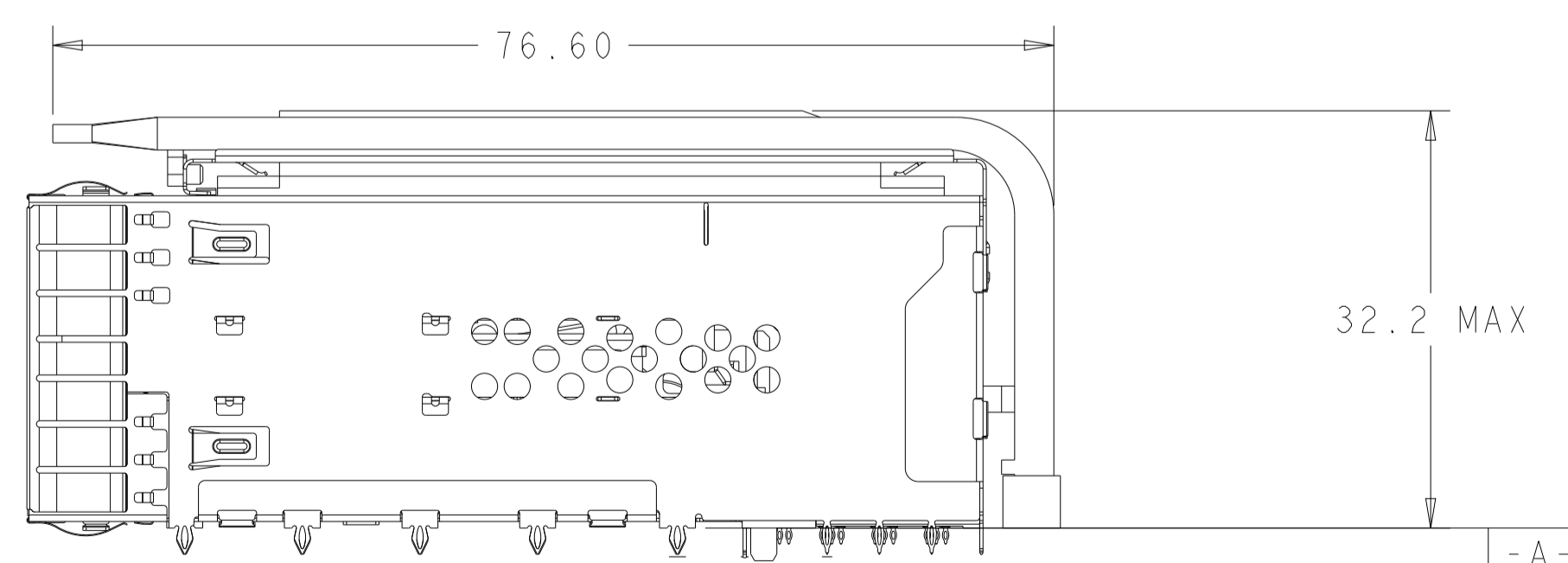
SCALE 2:1



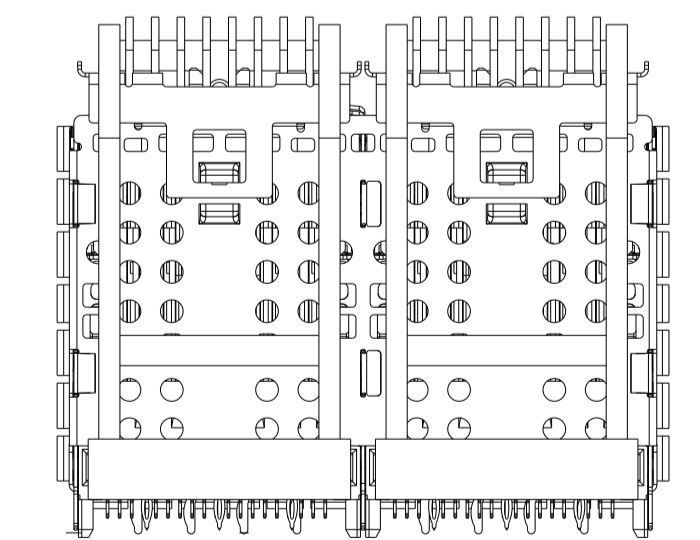
(31.37) (31.40)
AFTER PLUGGED



1-2299870-9
SCALE 2:1



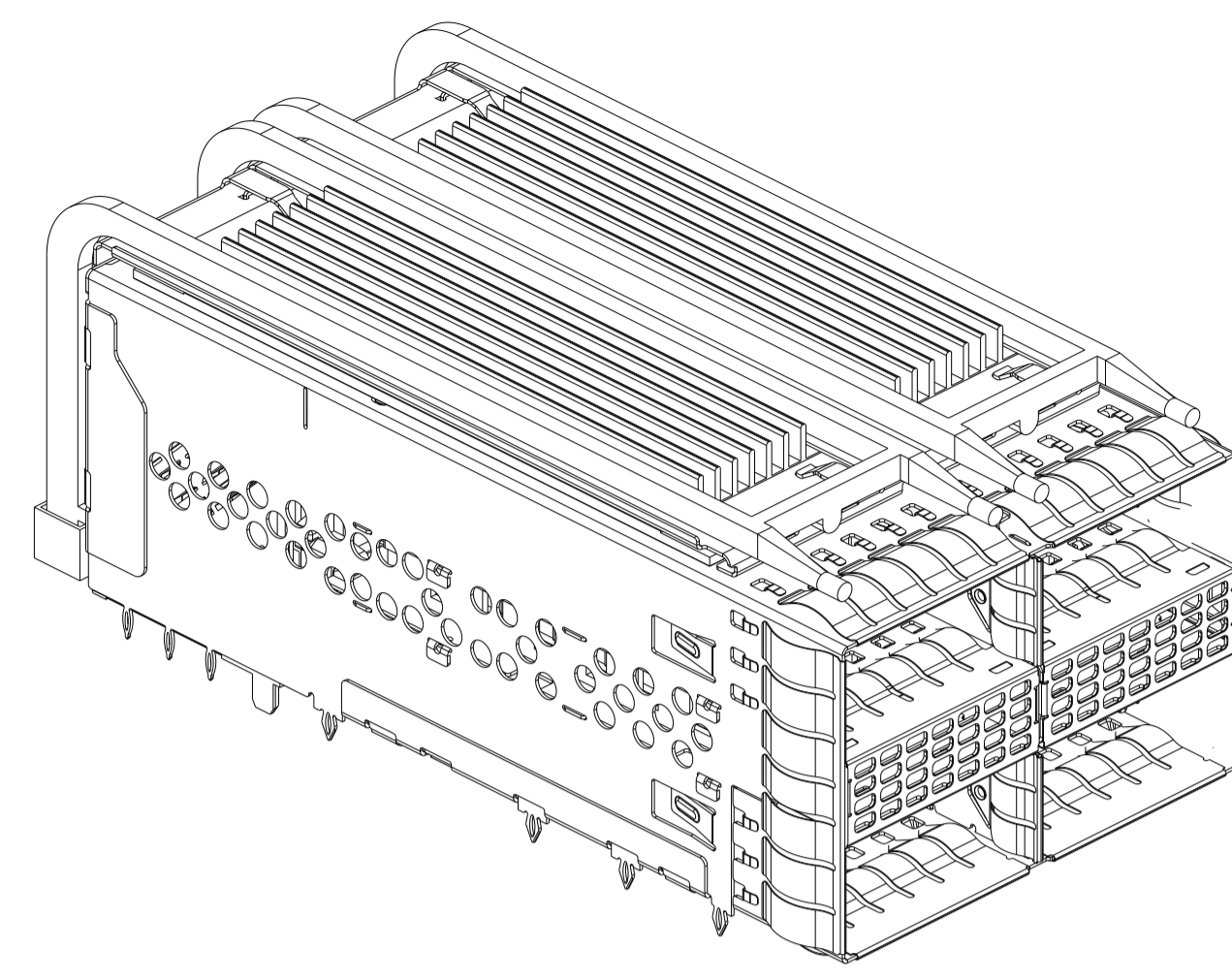
- A -



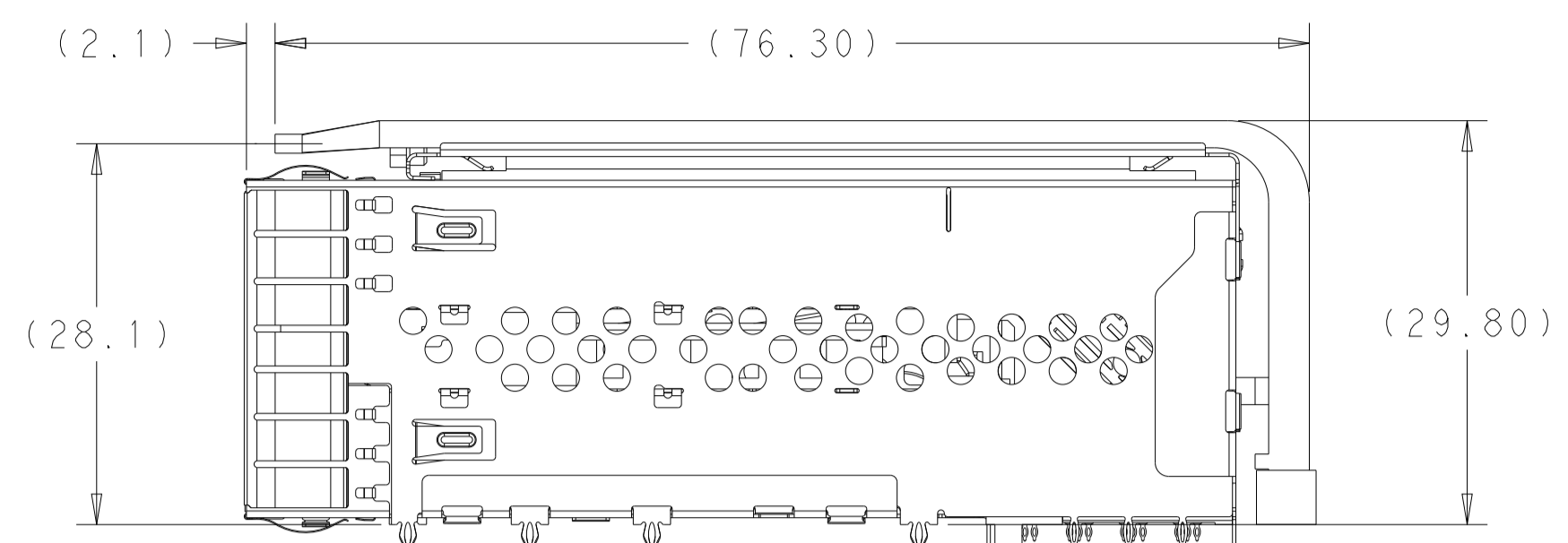
1-2299870-9
SCALE 2:1

THIS DRAWING IS A CONTROLLED DOCUMENT.		OWN	TIM XUE	28JAN2016				
DIMENSIONS:		CHK	SEAN HAN	28JAN2016				
mm		APVD	SEAN HAN	28JAN2016				
0 PLC ± 1 PLC ±0.25 2 PLC ±0.15 3 PLC ± 4 PLC ± ANGLES ± FINISH ±		NAME	CAGE AND CONNECTOR ASSEMBLY WITH EMI SPRING FINGERS, THRU BEZEL, 2X2 ZQSFP+ STACKED WITH HS					
MATERIAL		PRODUCT SPEC	108-60102		SIZE	CAGE CODE	DRAWING NO	RESTRICTED TO
SEE NOTE 1		APPLICATION SPEC	114-60015		A1	00779	C=2299870	-
SEE NOTE 2		WEIGHT	-		CUSTOMER DRAWING		SCALE	4:1
						SHEET		6 OF 15
								REV
								K

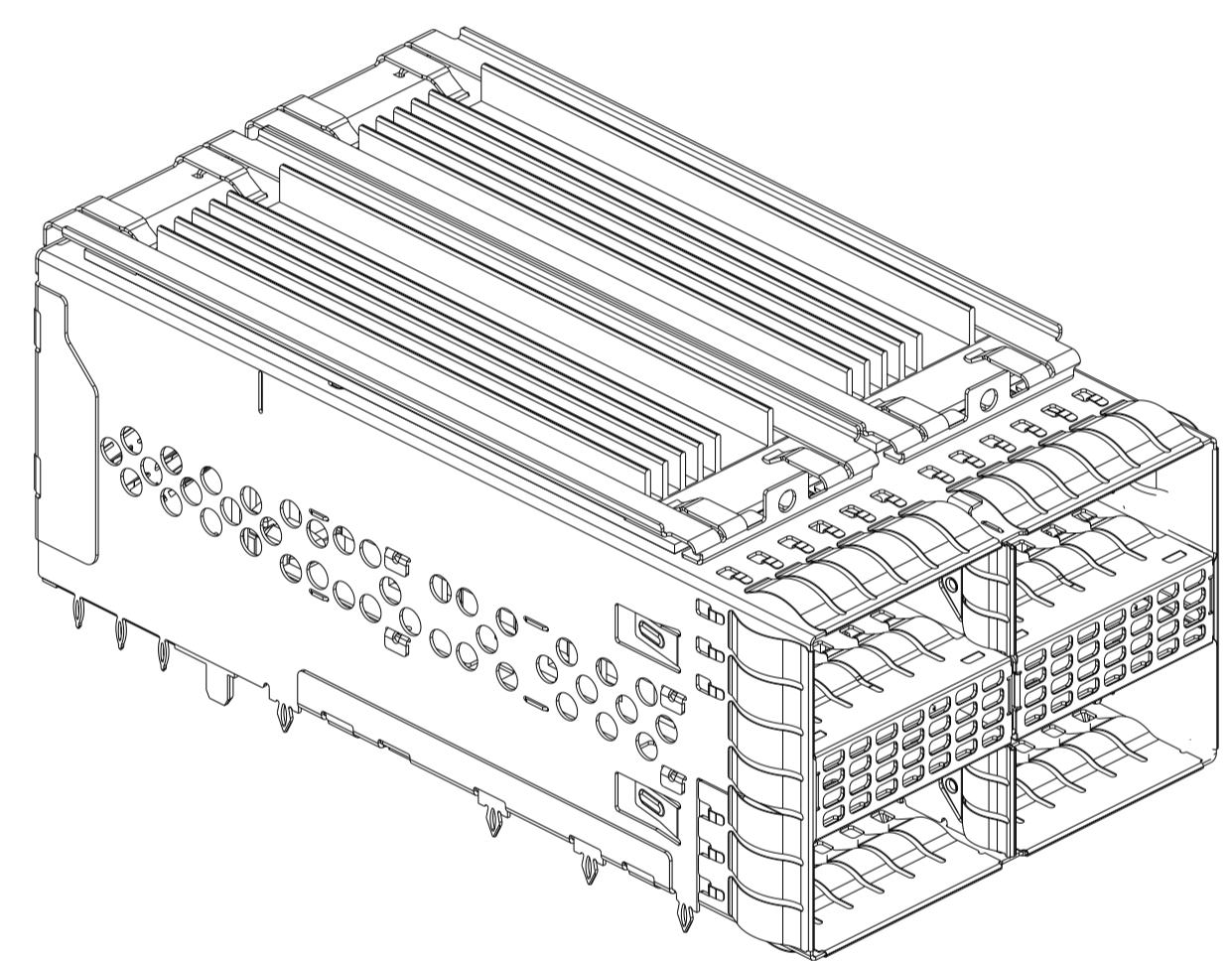
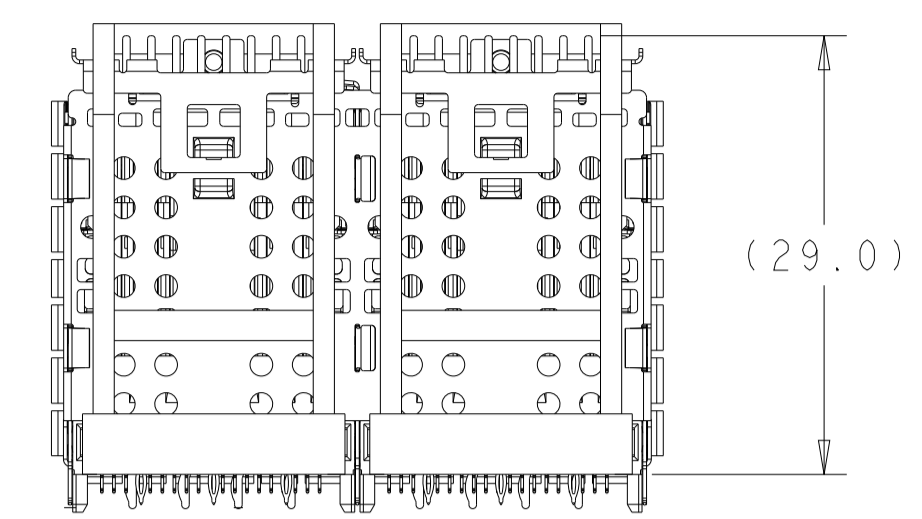
LOC		DIST		REVISIONS				
P	LYR	DATE	OWN	APVD	DESCRIPTION	DATE	OWN	APVD
-	-	-	-	-	SEE SHEET 1	-	-	-



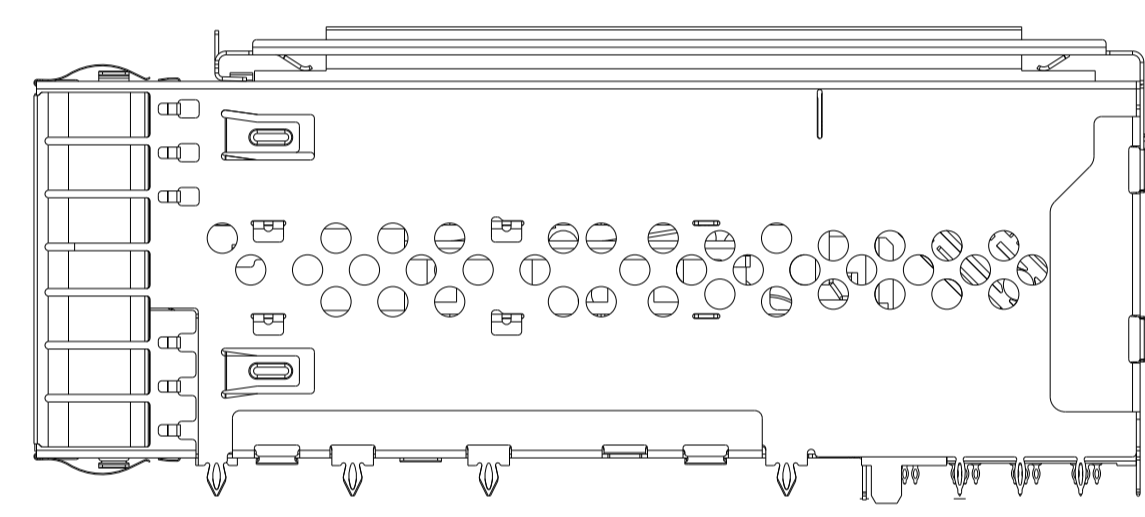
3-2299870-0
SCALE 2:1



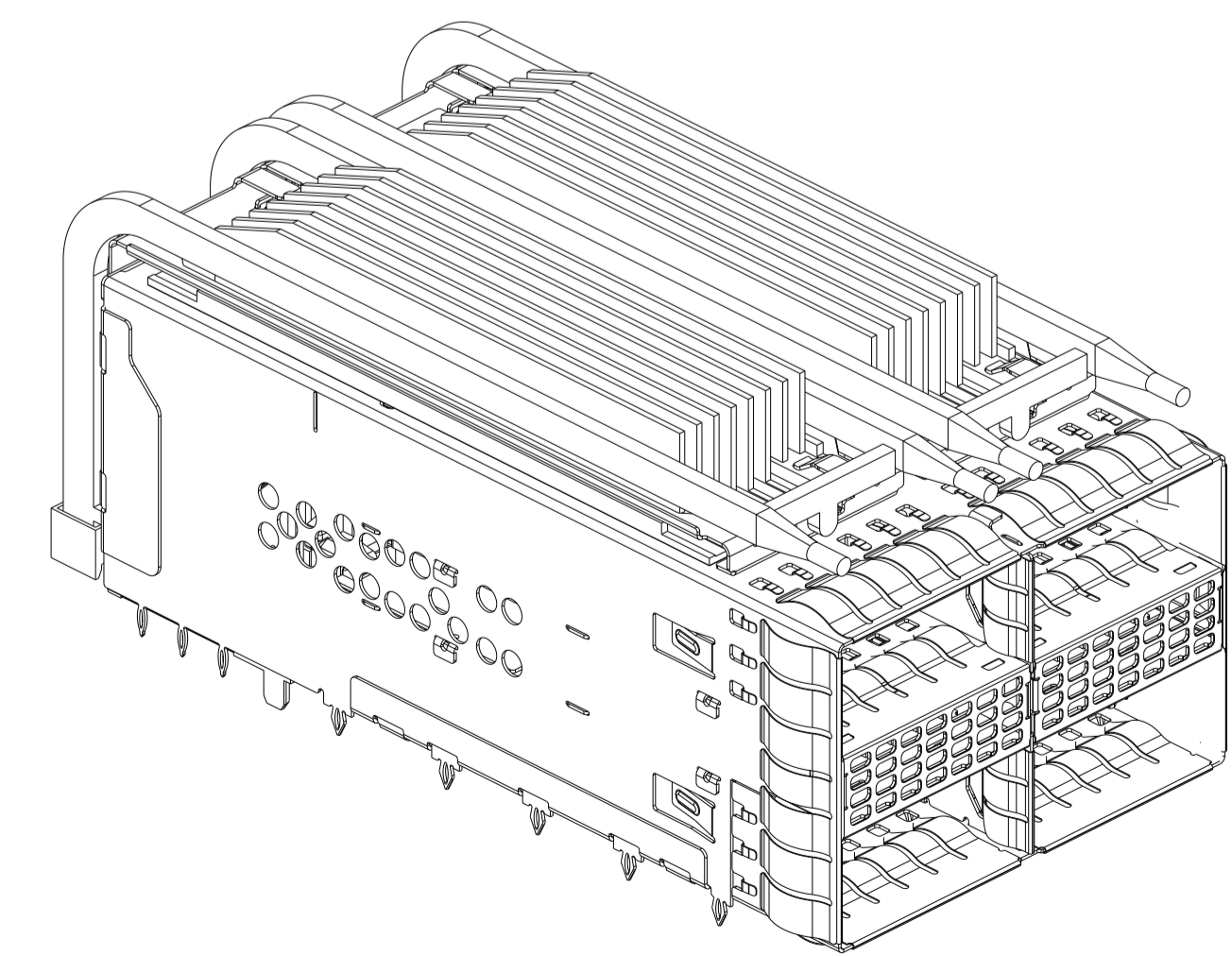
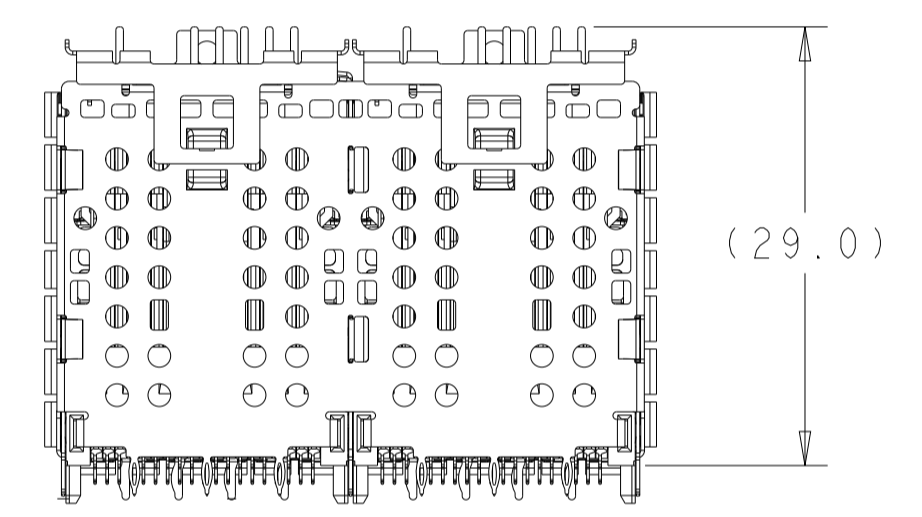
SCALE 2:1



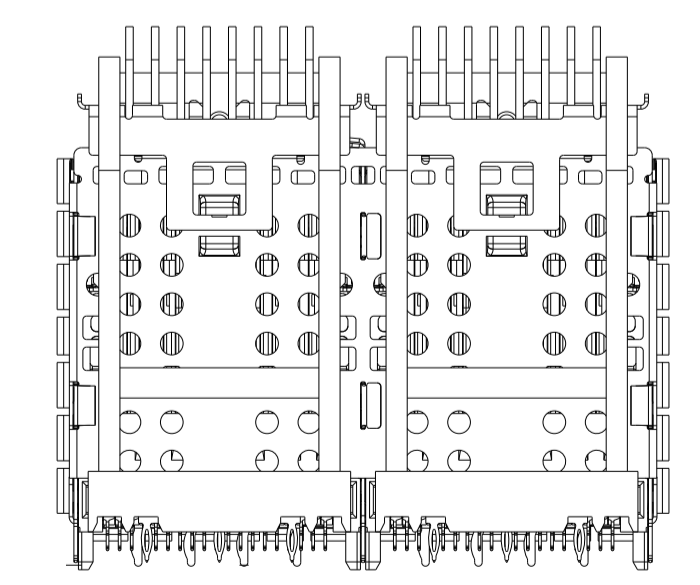
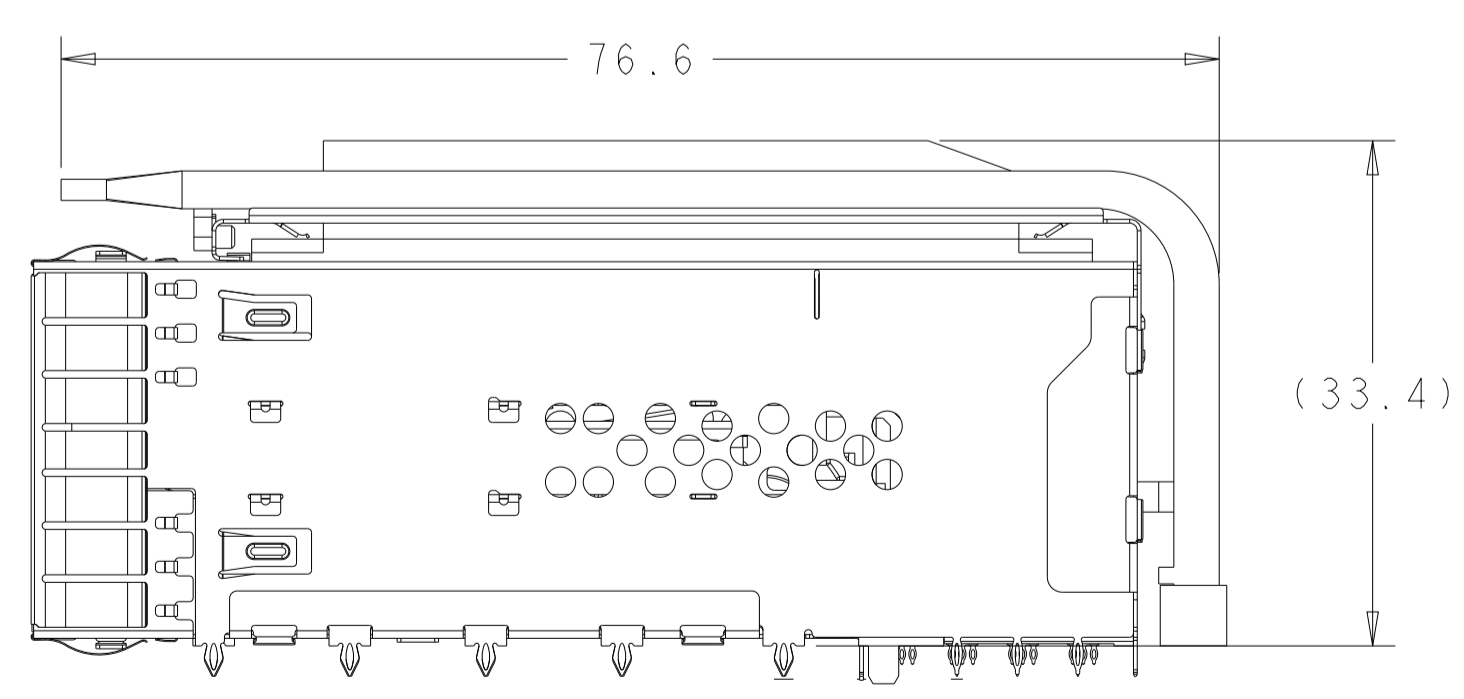
3-2299870-1
SCALE 2:1



SCALE 2:1



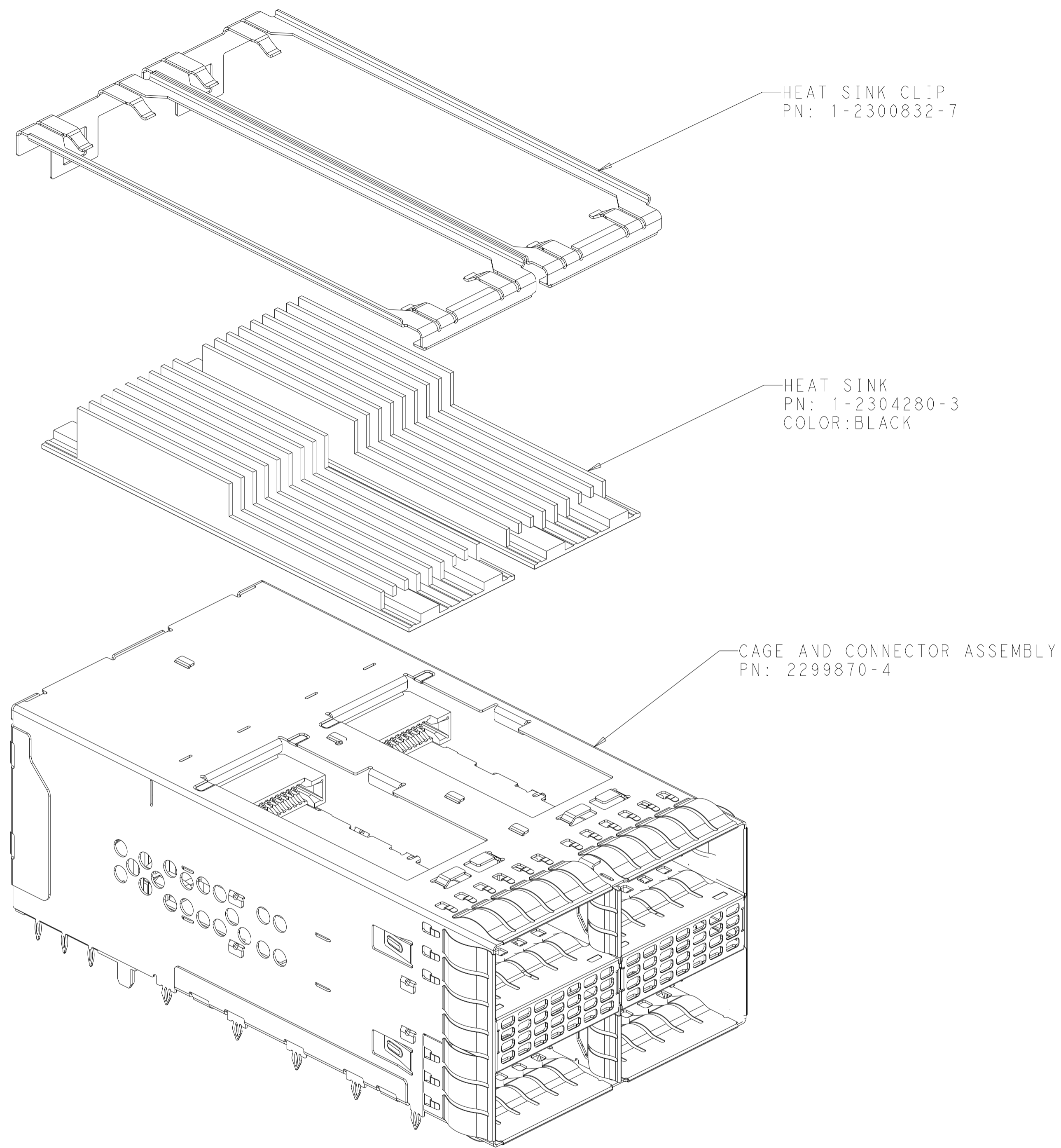
3-2299870-8
SCALE 2:1



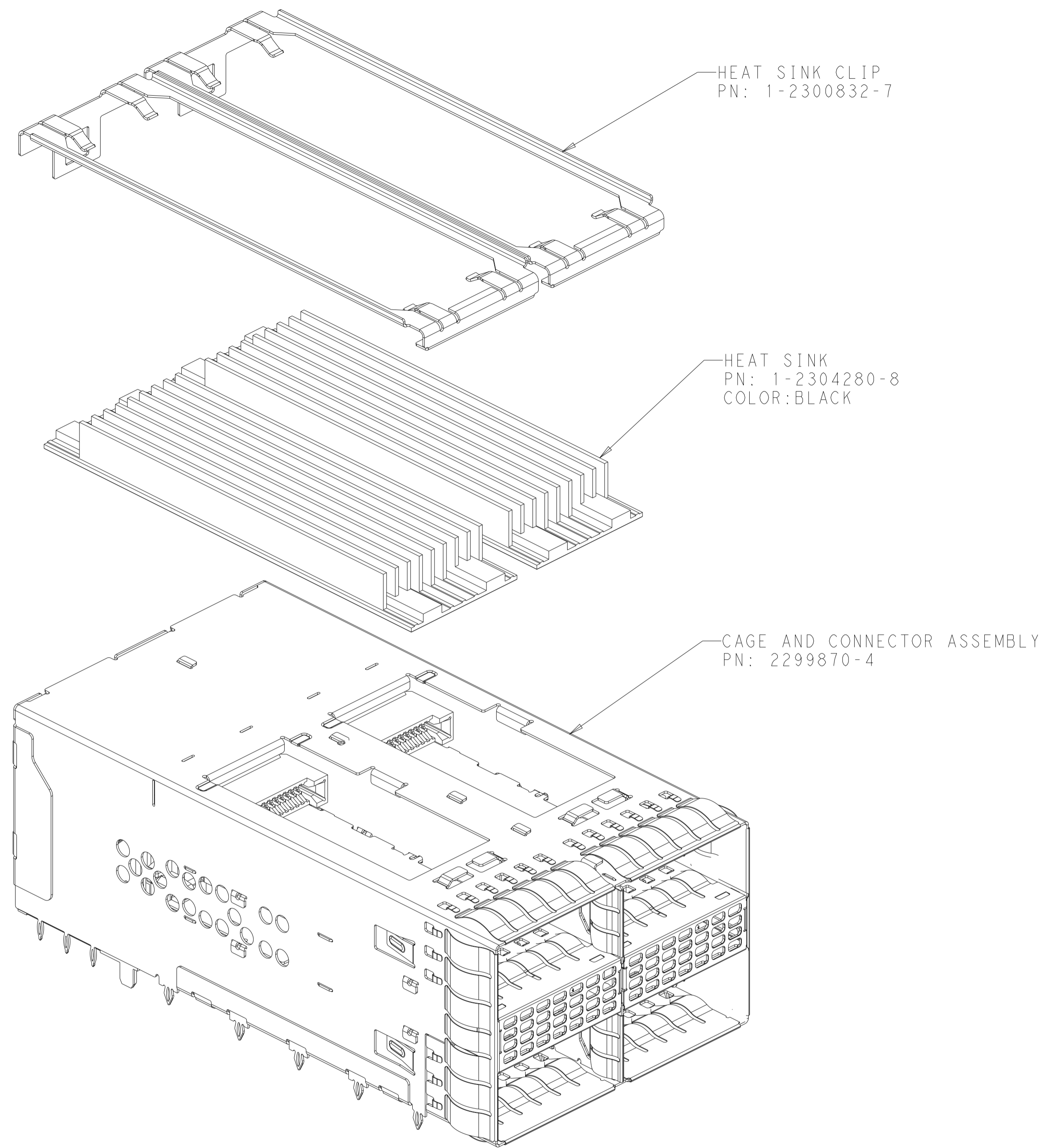
3-2299870-8
SCALE 2:1

THIS DRAWING IS A CONTROLLED DOCUMENT.		OWN TIM XUE 28JAN2016	
DIMENSIONS:		CHK SEAN HAN 28JAN2016	
mm	0 PLC ± 1 PLC ±0.25 2 PLC ±0.15 3 PLC ± 4 PLC ± ANGLES ± FINISH ±	TOLERANCES UNLESS OTHERWISE SPECIFIED: APVD SEAN HAN 28JAN2016 NAME CAGE AND CONNECTOR ASSEMBLY WITH EM1 SPRING FINGERS, THRU BEZEL, 2X2 ZQSFP+ STACKED WITH HS	
MATERIAL SEE NOTE 1	SEE NOTE 2	PRODUCT SPEC 108-60102 APPLICATION SPEC 114-60015 WEIGHT - CUSTOMER DRAWING	SIZE A1 CAGE CODE 00779 DRAWING NO C=2299870 RESTRICTED TO - SCALE 4:1 SHEET 7 OF 15 REV K

LOC	DIST	REVISIONS			
P	LTN	DESCRIPTION	DATE	DWN	APVD
-	-	SEE SHEET 1	-	-	-



2299870-3 AS SHOWN, KIT PACKAGE
 SCALE 3:1



1-2299870-3 AS SHOWN, KIT PACKAGE
 SCALE 3:1

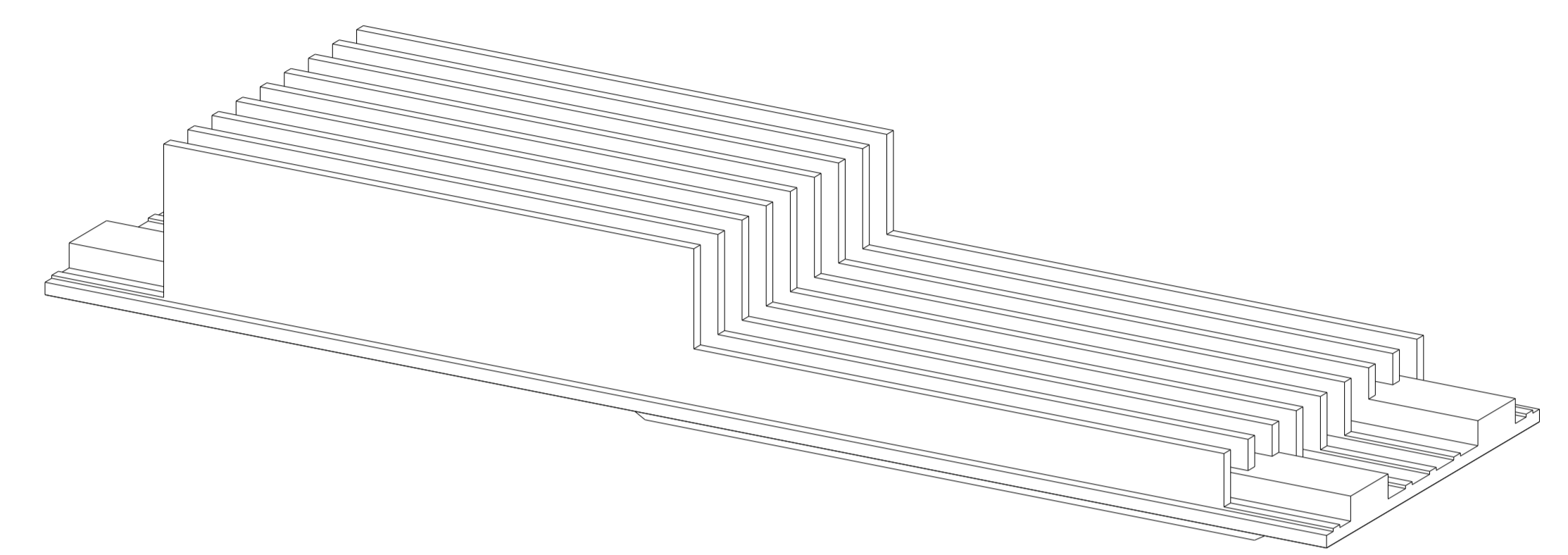
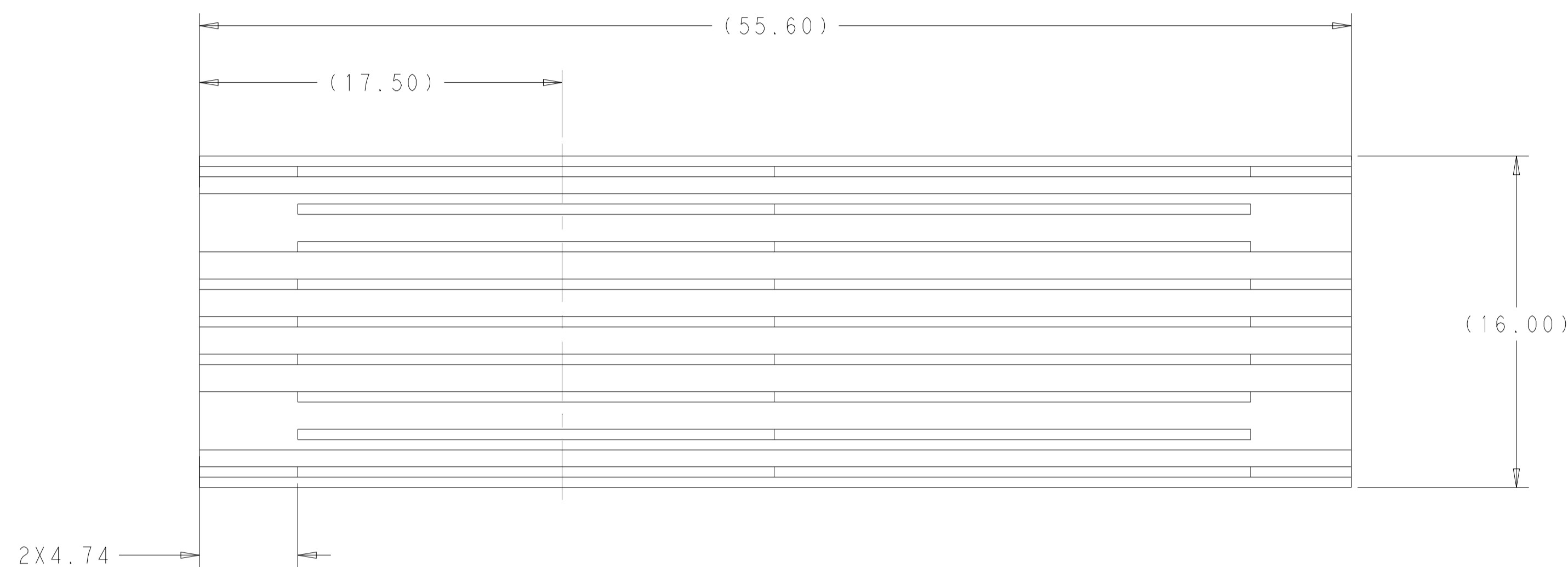
2	2	1-2300832-7	HEAT SINK CLIP	3
2	-	1-2304280-8	HEAT SINK	2
-	2	1-2304280-3		
1	1	2299870-4	CAGE AND CONNECTOR ASSEMBLY	1
1-2299870-3	2299870-3	PART NUMBER	DESCRIPTION	ITEM

THIS DRAWING IS A CONTROLLED DOCUMENT.

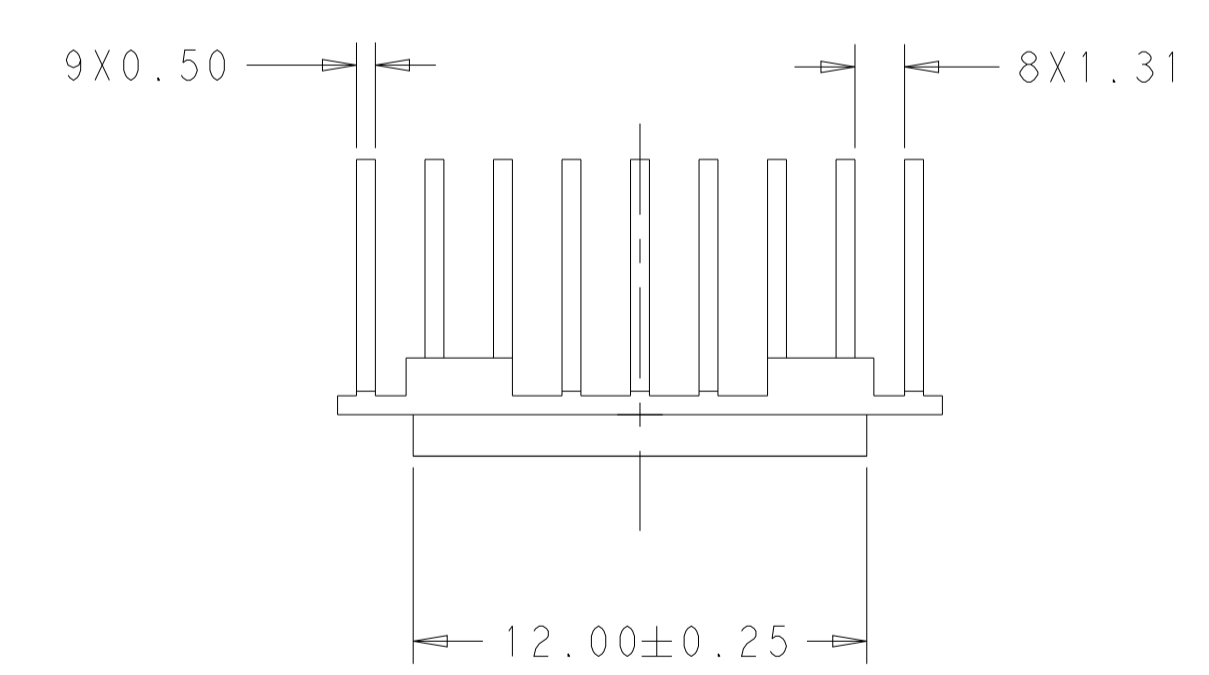
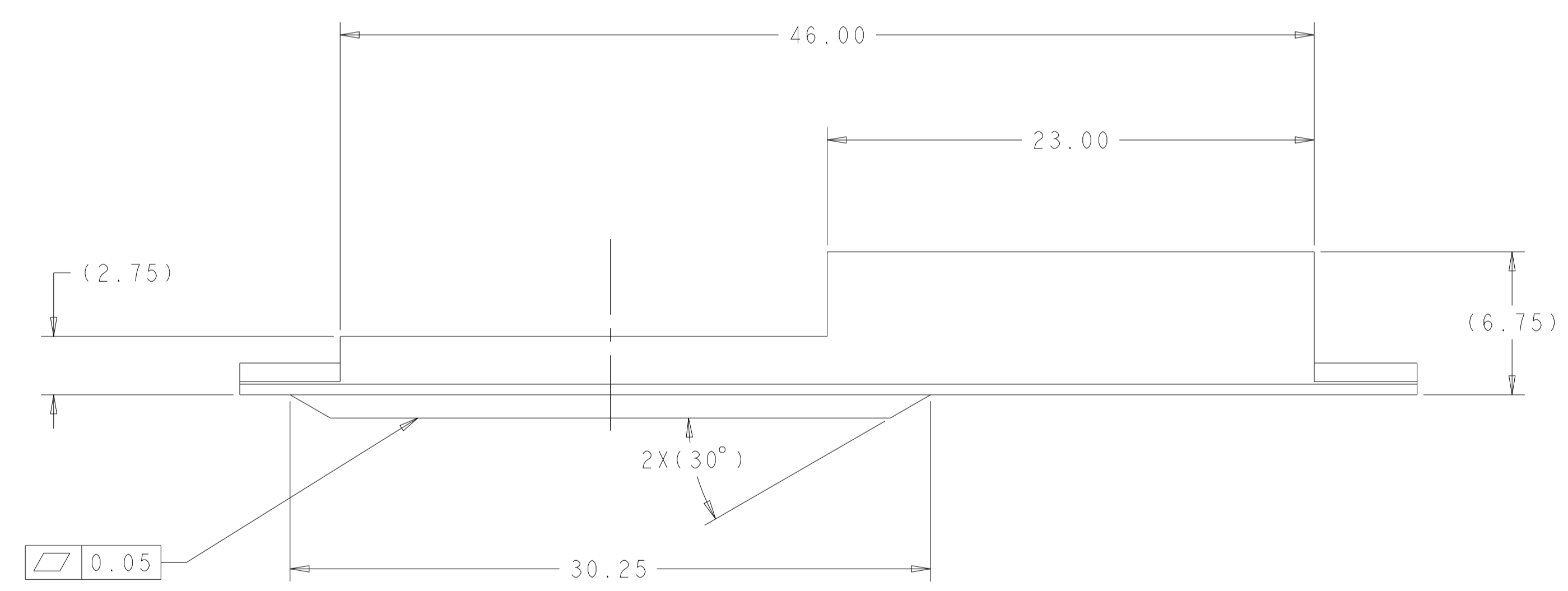
DIMENSIONS:	TOLERANCES UNLESS OTHERWISE SPECIFIED:	OWN: TIM XUE 28JAN2016	TE Connectivity NAME: CAGE AND CONNECTOR ASSEMBLY WITH EMI SPRING FINGERS, THRU BEZEL, 2X2 ZQSFP+ STACKED WITH HS PRODUCT SPEC: 108-60102 APPLICATION SPEC: 114-60015
mm	0 PLC ± 1 PLC ±0.25 2 PLC ±0.15 3 PLC ± 4 PLC ± ANGLES ± FINISH ±	CHK: SEAN HAN 28JAN2016	
MATERIAL:	SEE NOTE 1	APVD: SEAN HAN 28JAN2016	
SEE NOTE 1	SEE NOTE 2	WEIGHT: -	

CUSTOMER DRAWING SCALE 4:1 SHEET 8 OF 15 REV K

LOC		DIST		REVISIONS			
P	LTN	DESCRIPTION	DATE	DMN	APVD		
-	-	SEE SHEET 1	-	-	-		



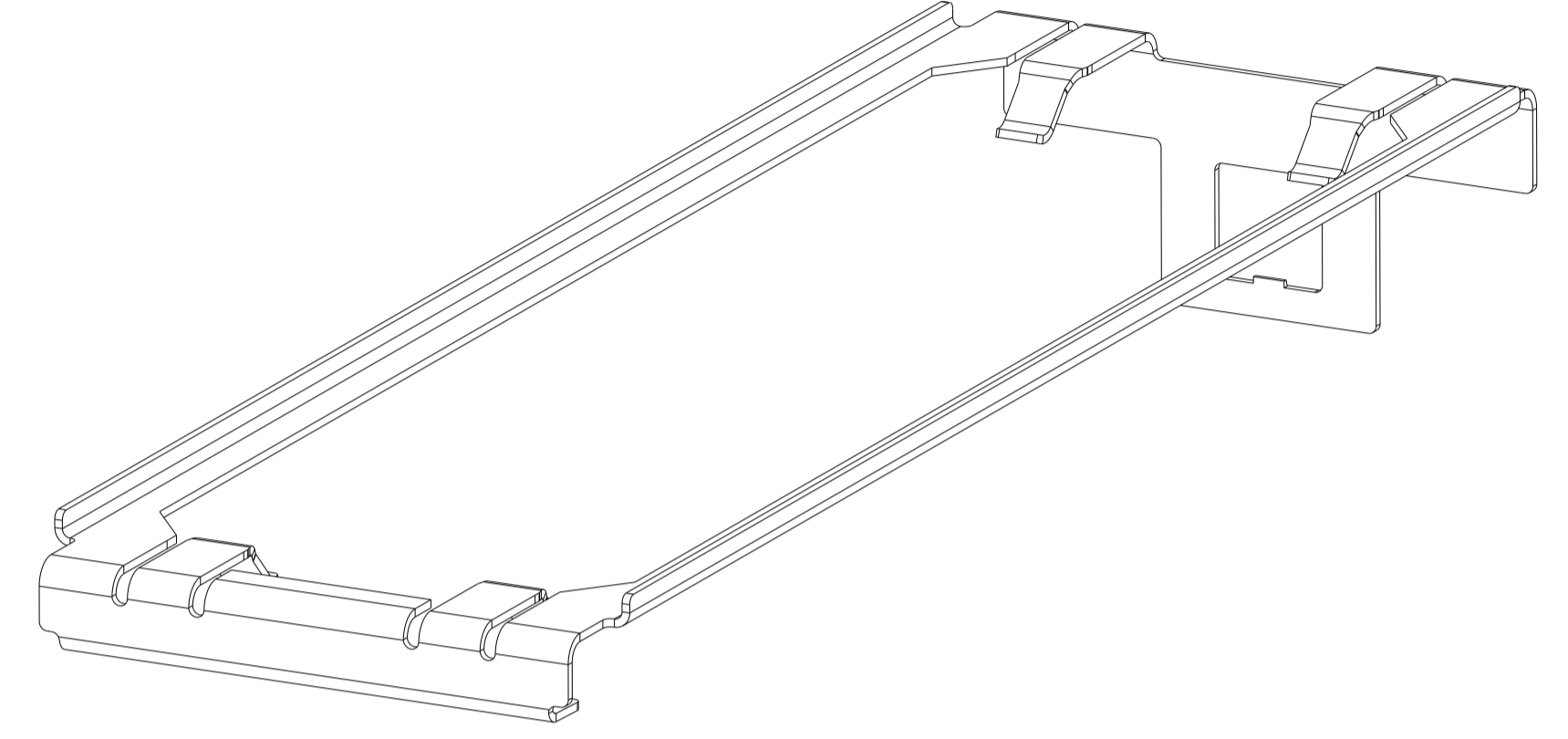
1-2304280-3 HEAT SINK SHOWN
 (THE COLOR IS BLACK)
 SCALE 5:1



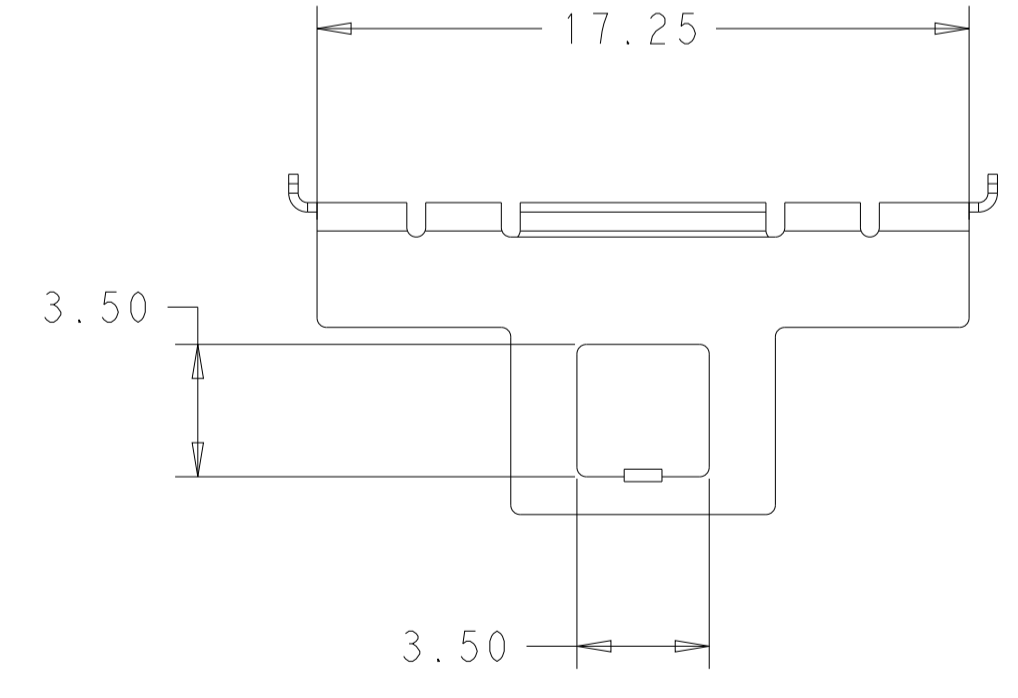
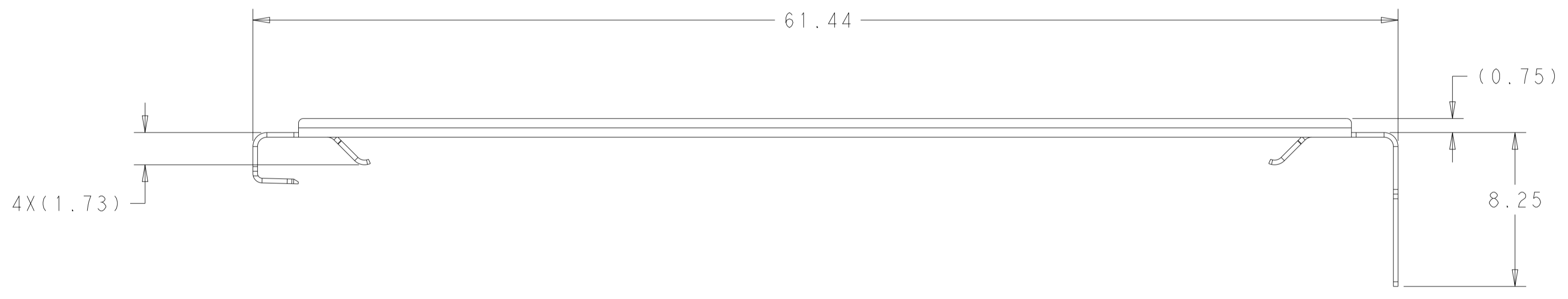
THIS DRAWING IS A CONTROLLED DOCUMENT.		DMN	TIM XUE	28JAN2016	TE Connectivity
DIMENSIONS:		CHK	SEAN HAN	28JAN2016	
mm	0 PLC ±	APVD	SEAN HAN	28JAN2016	NAME CAGE AND CONNECTOR ASSEMBLY WITH EMI SPRING FINGERS, THRU BEZEL, 2X2 ZQSFP+ STACKED WITH HS
	1 PLC ±0.25	PRODUCT SPEC			
	2 PLC ±0.15	APPLICATION SPEC			
	3 PLC ±	SIZE	CAGE CODE	DRAWING NO	
	4 PLC ±	RESTRICTED TO			
	ANGLES ±	MATERIAL	114-60015	WEIGHT	
	FINISH ±	SEE NOTE 1		SEE NOTE 2	
		CUSTOMER DRAWING		SCALE	4:1
				SHEET	9 OF 15
				REV	K

THIS DRAWING IS UNPUBLISHED. RELEASED FOR PUBLICATION 20
 © COPYRIGHT 20 BY TYCO ELECTRONICS CORPORATION ALL RIGHTS RESERVED.

LOC	DIST	REVISIONS					
GP	00	P	LTN	DESCRIPTION	DATE	DMN	APVD
-	-	-	-	SEE SHEET 1	-	-	-

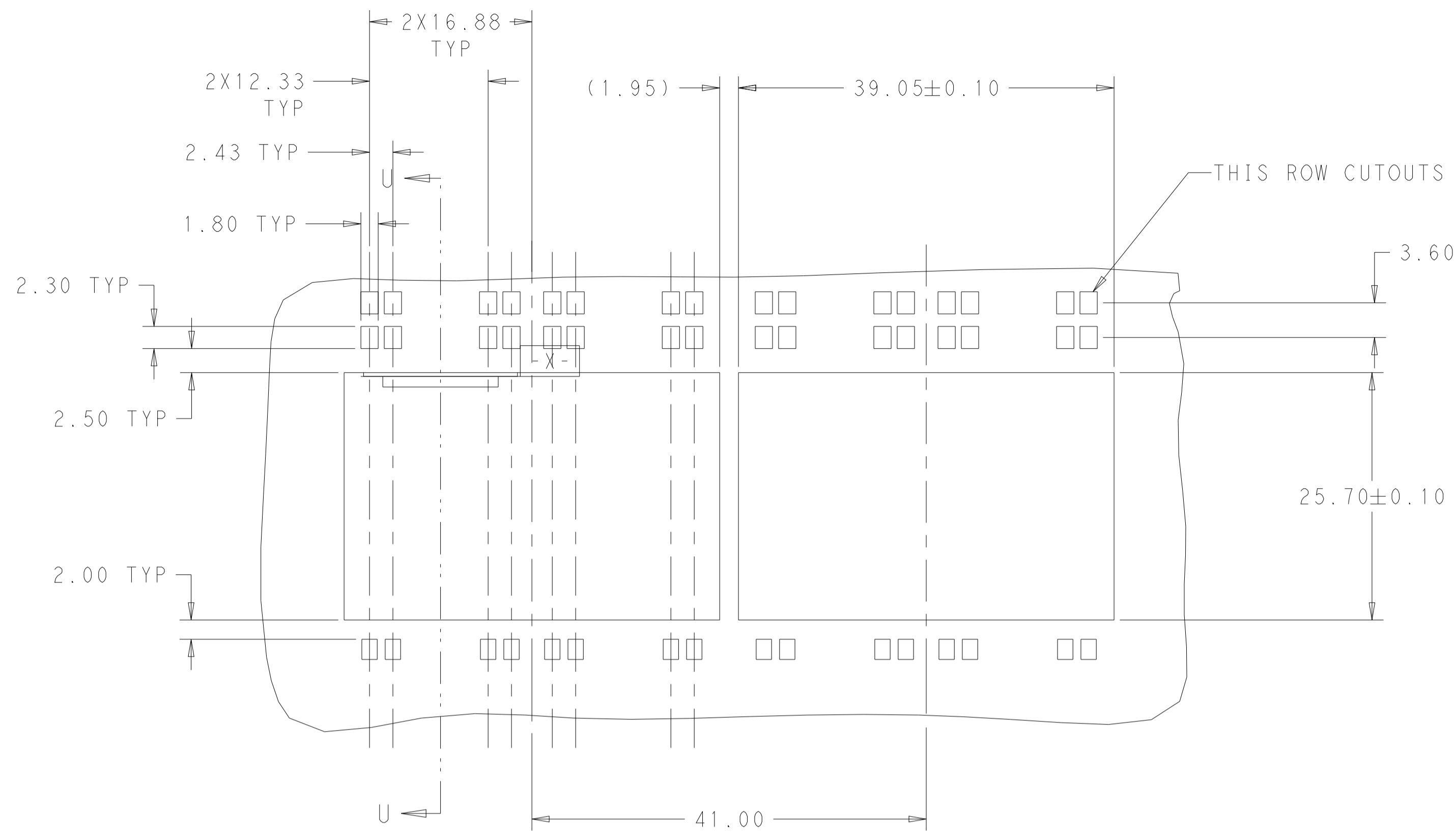


1-2300832-7, HEAT SINK CLIP
 SCALE 5:1

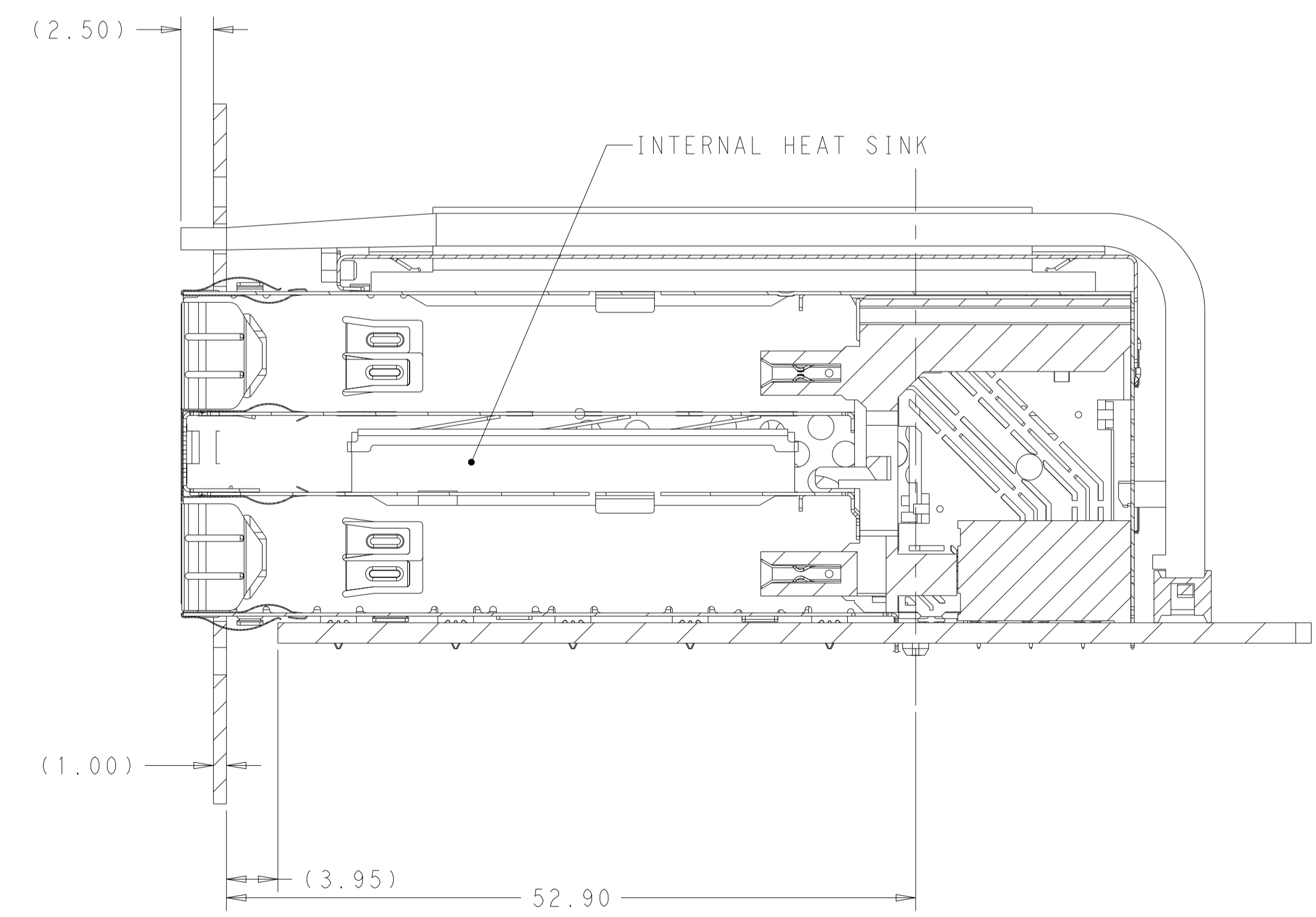
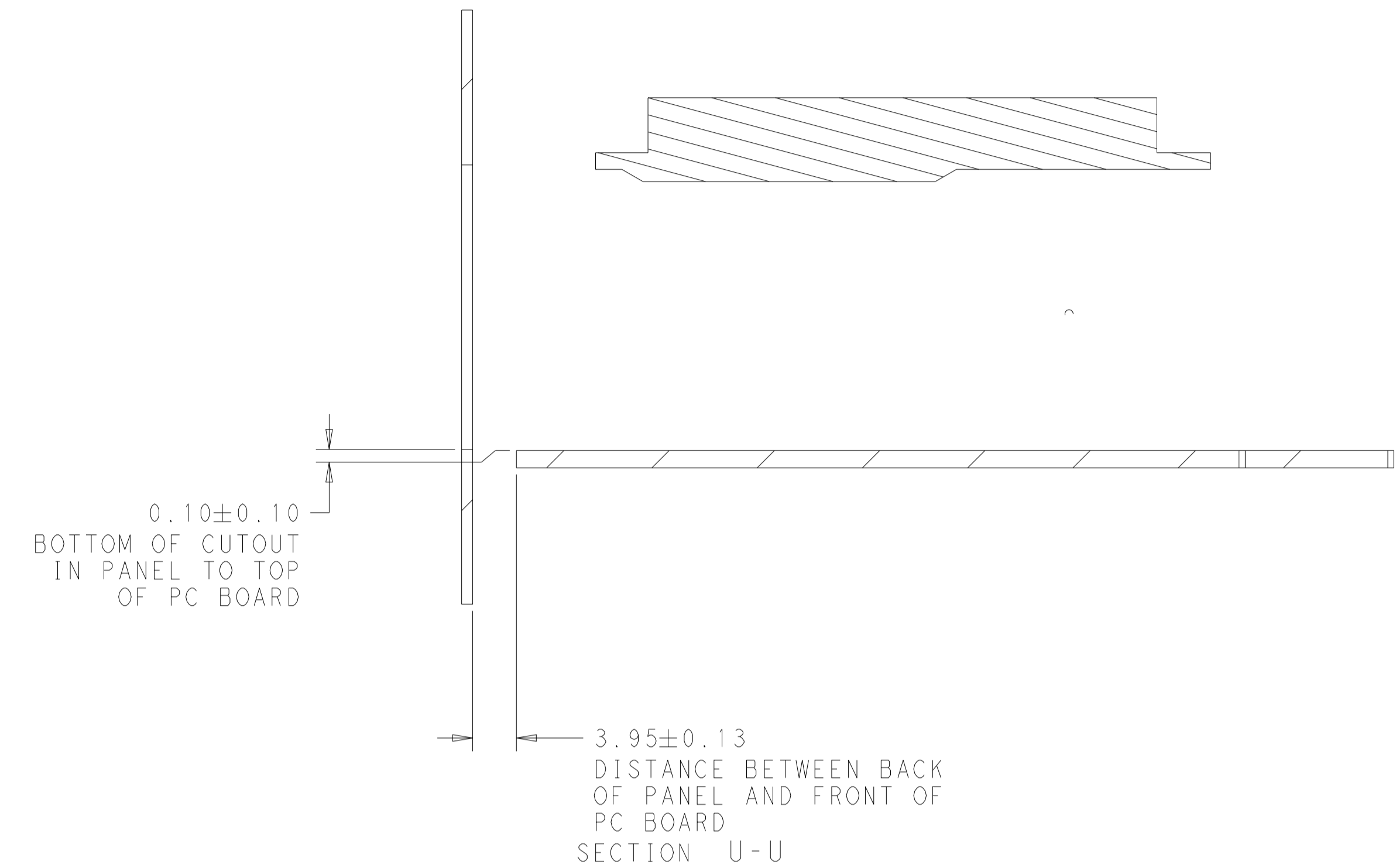


THIS DRAWING IS A CONTROLLED DOCUMENT.		DMN TIM XUE 28JAN2016	TE Connectivity	
DIMENSIONS: mm		CHK SEAN HAN 28JAN2016		
TOLERANCES UNLESS OTHERWISE SPECIFIED:		APVD SEAN HAN 28JAN2016		
0 PLC ± 1 PLC ±0.25 2 PLC ±0.15 3 PLC ± 4 PLC ± ANGLES ± FINISH ±		NAME CAGE AND CONNECTOR ASSEMBLY WITH EMI SPRING FINGERS, THRU BEZEL, 2X2 ZQSF+ STACKED WITH HS		
MATERIAL SEE NOTE 1		PRODUCT SPEC 108-60102 APPLICATION SPEC 114-60015 WEIGHT -		
SEE NOTE 2		SIZE A100779	DRAWING NO C=2299870	RESTRICTED TO -
CUSTOMER DRAWING		SCALE 4:1	SHEET 10	OF 15
				REV K

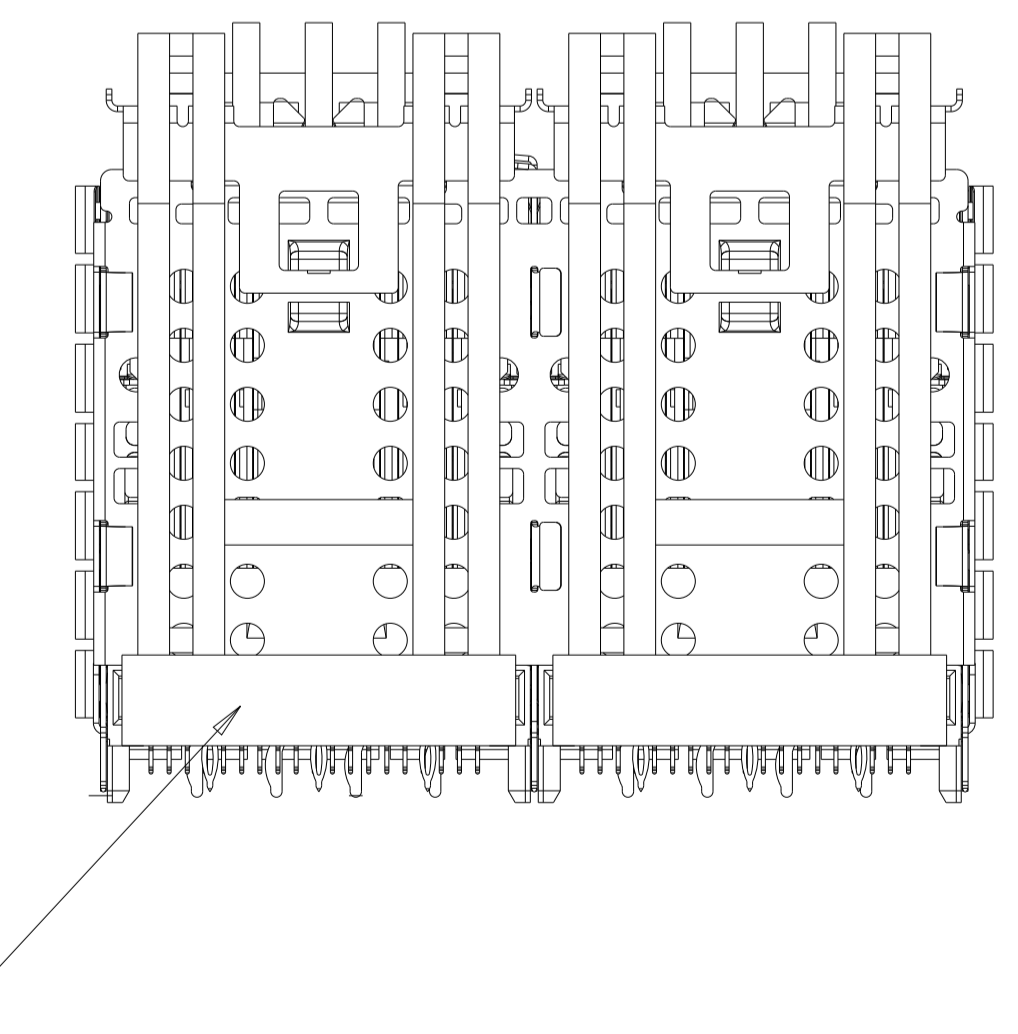
LOC	DIST	REVISIONS			
P	LTN	DESCRIPTION	DATE	DMN	APVD
-	-	SEE SHEET 1	-	-	-



RECOMMENDED PANEL CUTOUT
 AND PC BOARD PANEL POSITION
 SCALE 5:2

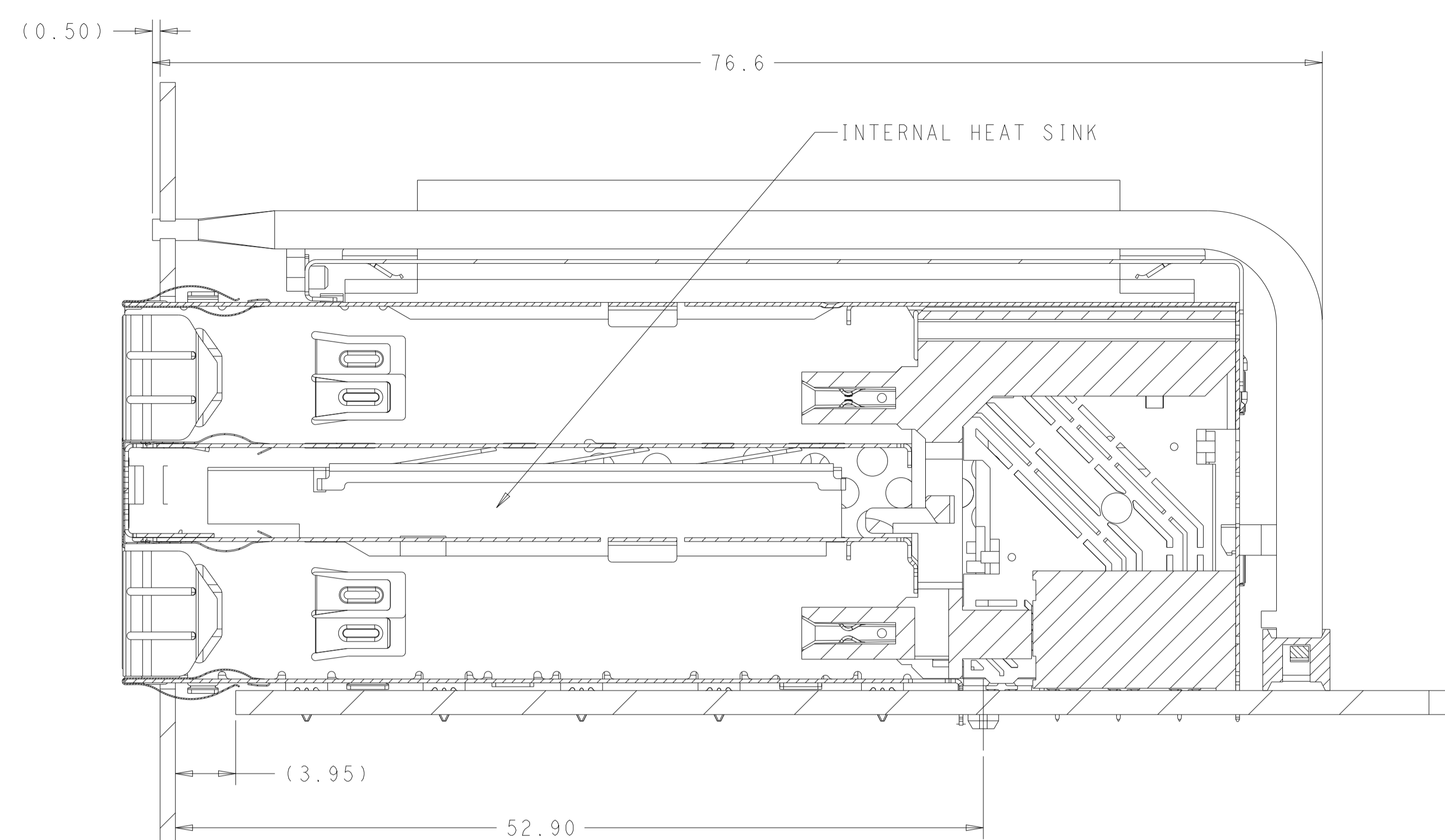


2299870-1 BEZEL LOCATION AS SHOWN
 SECTION V-V
 SCALE 3:1

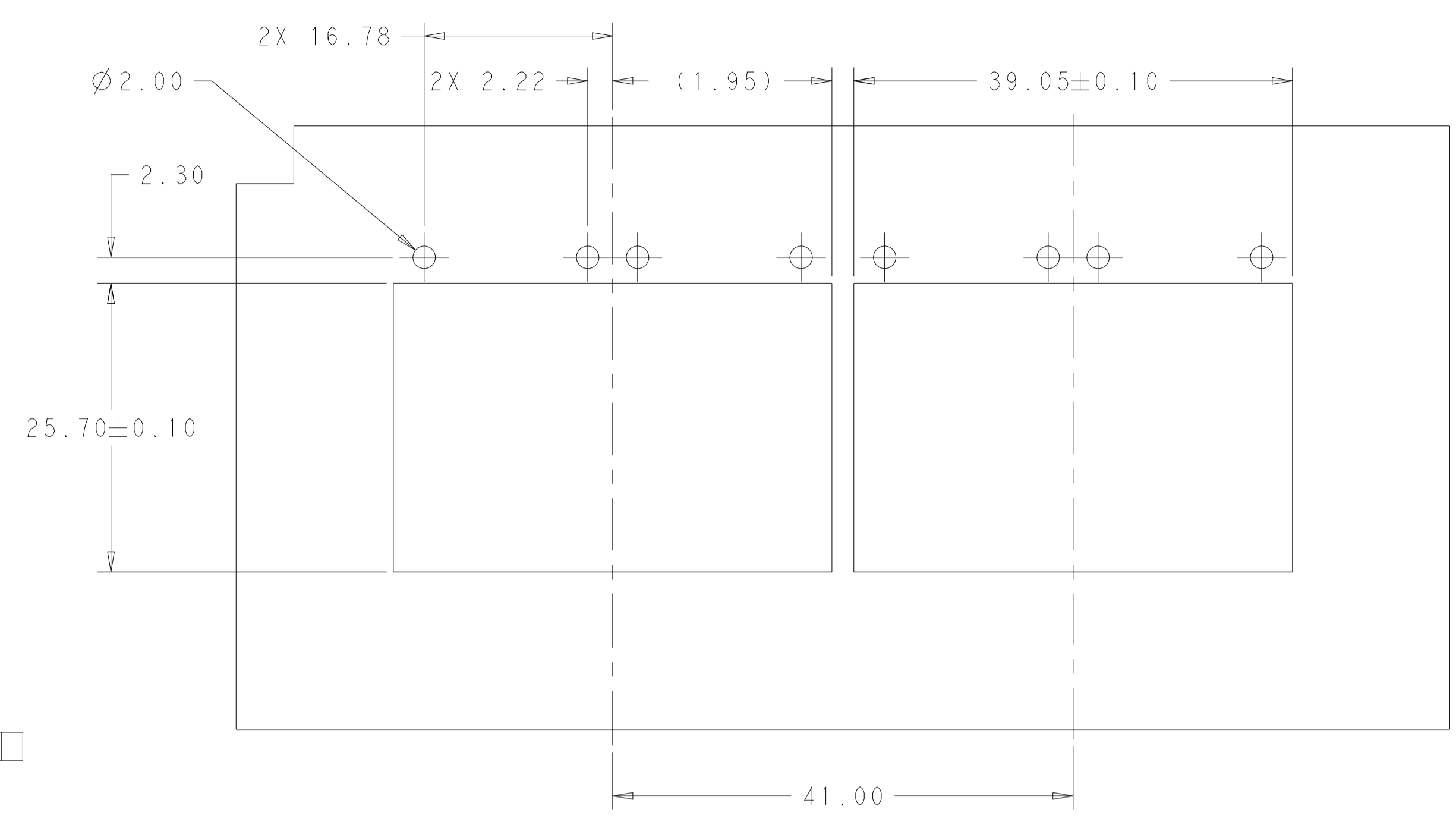


THIS DRAWING IS A CONTROLLED DOCUMENT.		DMN TIM XUE 28JAN2016	NAME CAGE AND CONNECTOR ASSEMBLY WITH EMI SPRING FINGERS, THRU BEZEL, 2X2 ZQSFP+ STACKED WITH HS
DIMENSIONS:		CHK SEAN HAN 28JAN2016	RESTRICTED TO
mm	TOLERANCES UNLESS OTHERWISE SPECIFIED:	APVD SEAN HAN 28JAN2016	SCALE 4:1 SHEET 11 OF 15 REV K
0 PLC	±	PRODUCT SPEC	
1 PLC	±0.25	108-60102	
2 PLC	±0.15	APPLICATION SPEC	
3 PLC	±	114-60015	
4 PLC	±	WEIGHT	
ANGLES	±	CUSTOMER DRAWING	
FINISH	±		
MATERIAL	SEE NOTE 1	SEE NOTE 2	

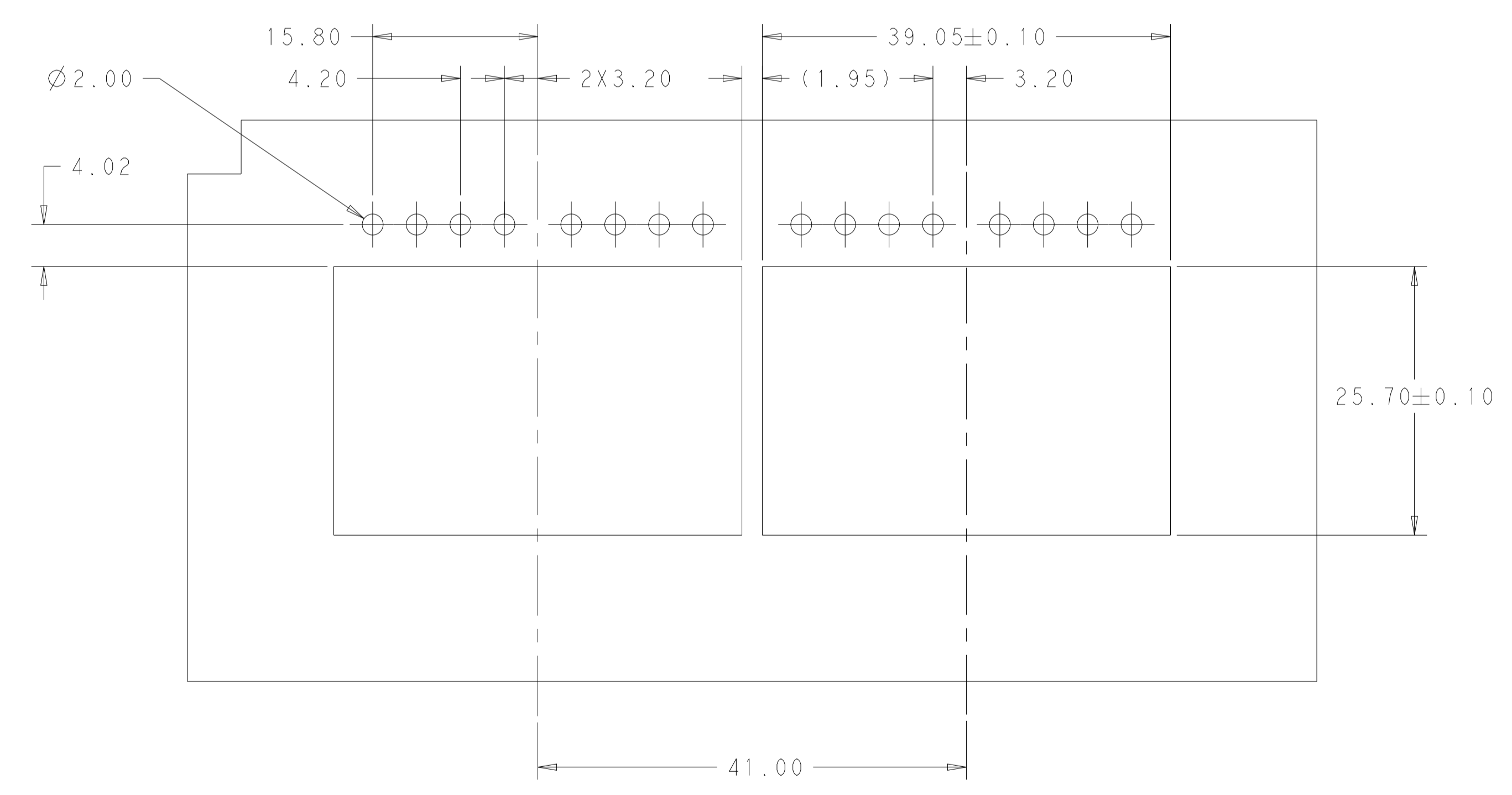
LOC		DIST		REVISIONS			
P	LTN	DATE	DMN	APVD	DESCRIPTION	DATE	DMN
-	-	-	-	-	SEE SHEET 1	-	-



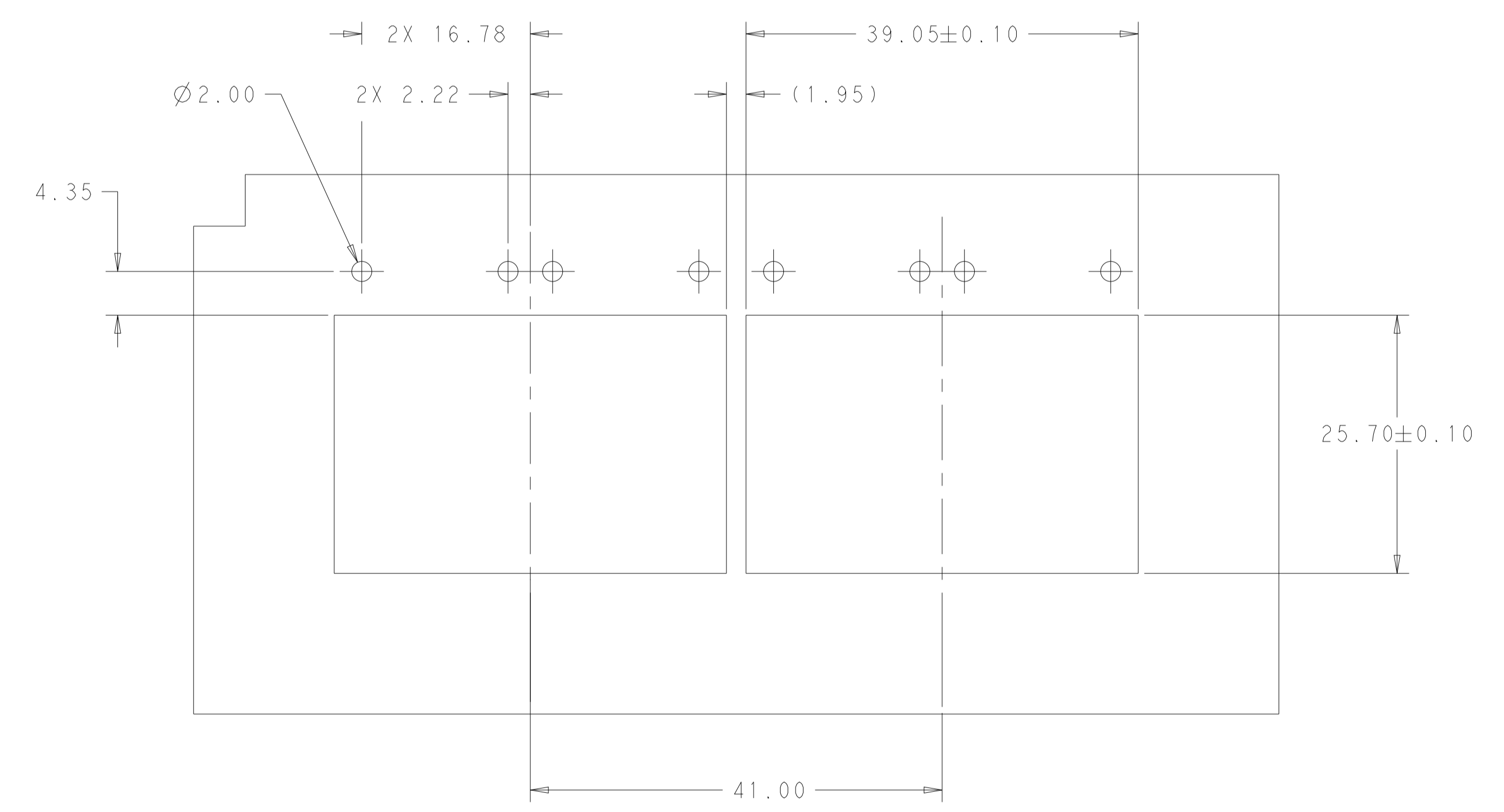
2299870-8
 1-2299870-8
 SECTION V-V
 SCALE 4:1



2-2299870-0
 SCALE 5:2



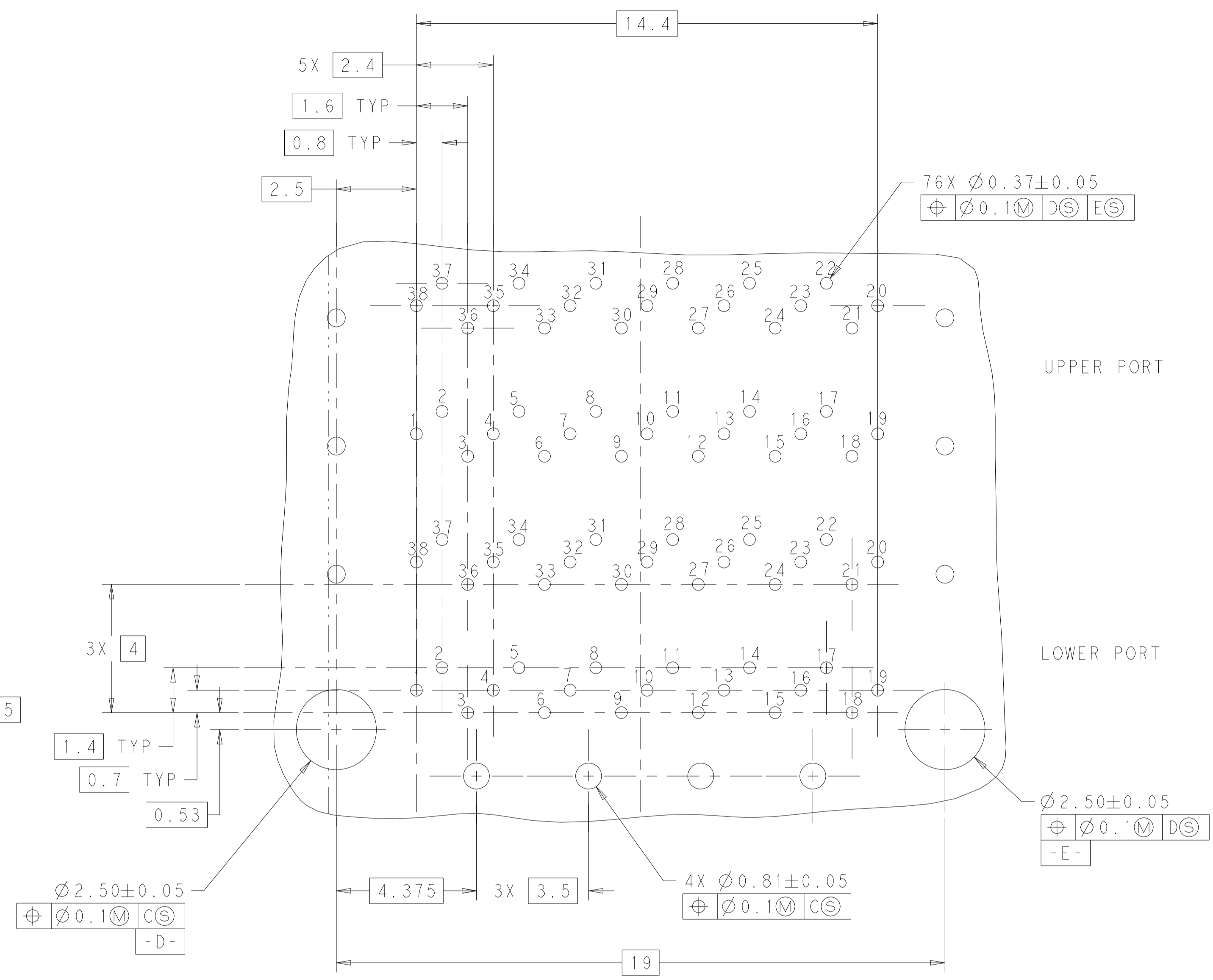
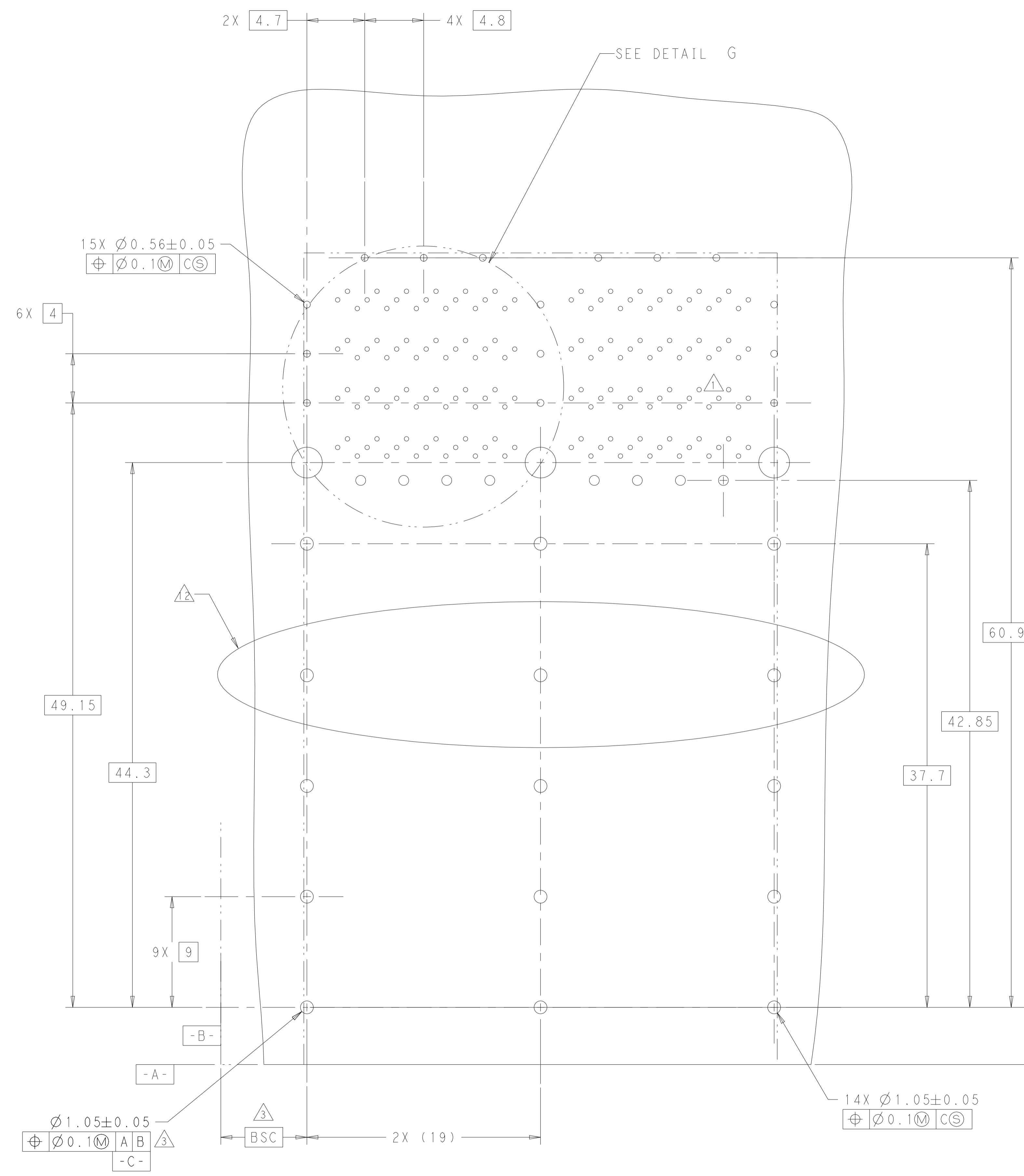
2-2299870-5
 RECOMMENDED PANEL CUTOUT
 SCALE 5:2



2299870-8
 1-2299870-0
 1-2299870-8
 2-2299870-3
 RECOMMENDED PANEL CUTOUT
 SCALE 5:2

THIS DRAWING IS A CONTROLLED DOCUMENT.		DMN	TIM XUE	28JAN2016	TE Connectivity NAME CAGE AND CONNECTOR ASSEMBLY WITH EMI SPRING FINGERS, THRU BEZEL, 2X2 ZQSPF+ STACKED WITH HS
DIMENSIONS:		CHK	SEAN HAN	28JAN2016	
mm		APVD	SEAN HAN	28JAN2016	
TOLERANCES UNLESS OTHERWISE SPECIFIED: 0 PLC ± 1 PLC ±0.25 2 PLC ±0.15 3 PLC ± 4 PLC ± ANGLES ± FINISH ±		PRODUCT SPEC	108-60102	APPLICATION SPEC	
MATERIAL	SEE NOTE 1	SIZE	114-60015	WEIGHT	RESTRICTED TO
SEE NOTE 2		CAGE CODE	100779	DRAWING NO	2299870
CUSTOMER DRAWING		SCALE	4:1	SHEET	12 OF 15
		REV	K		

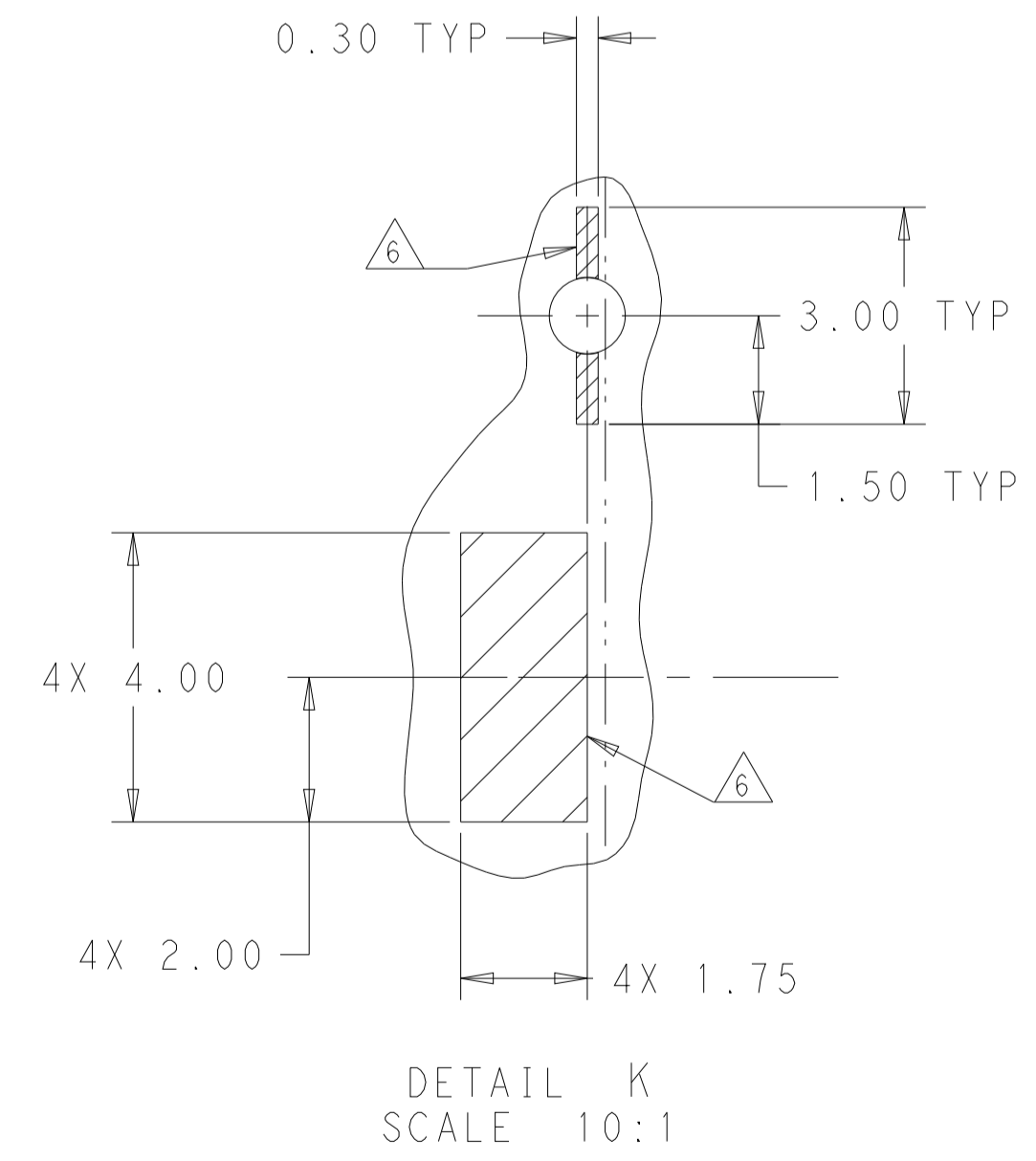
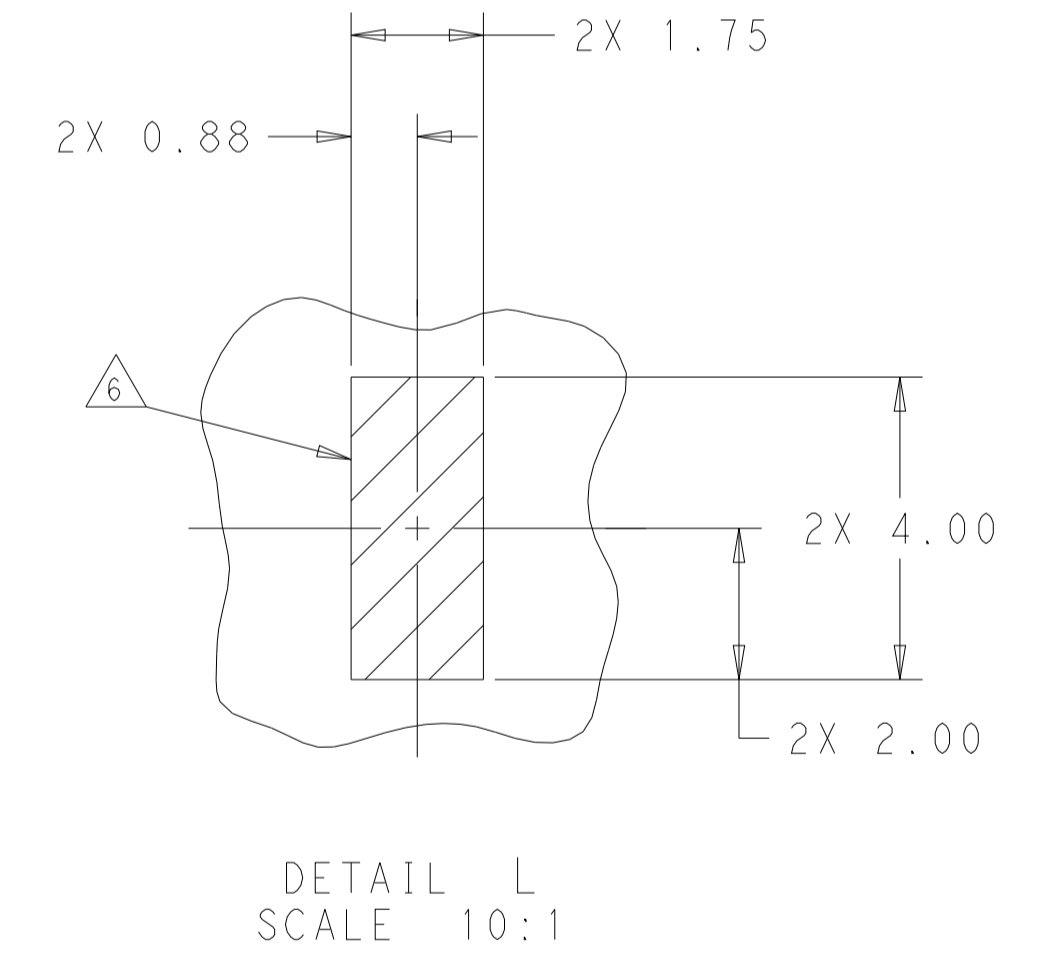
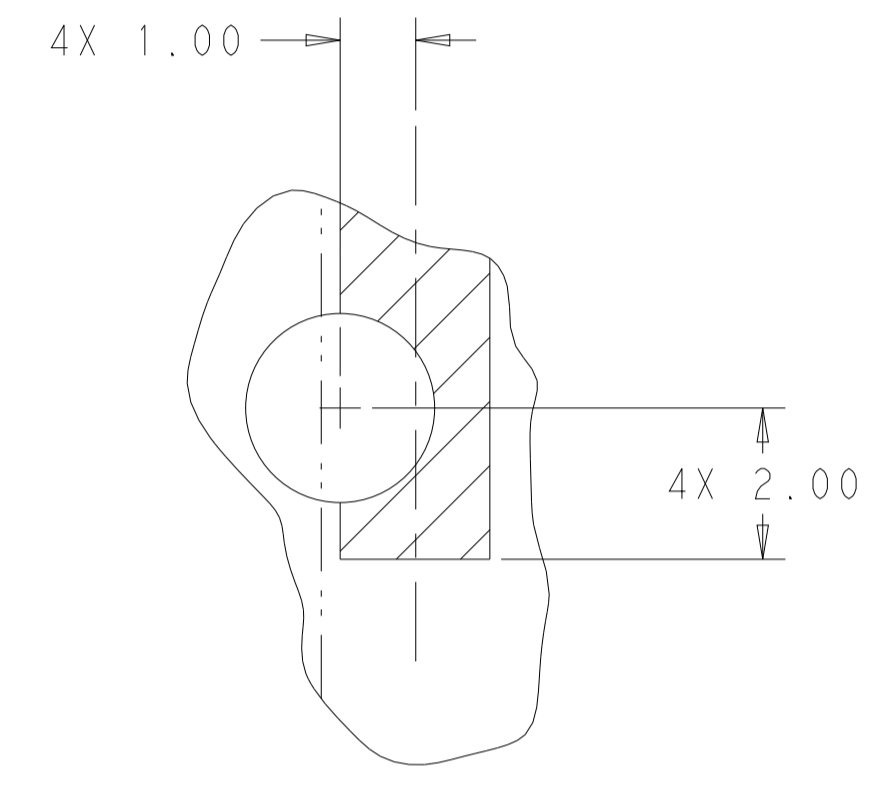
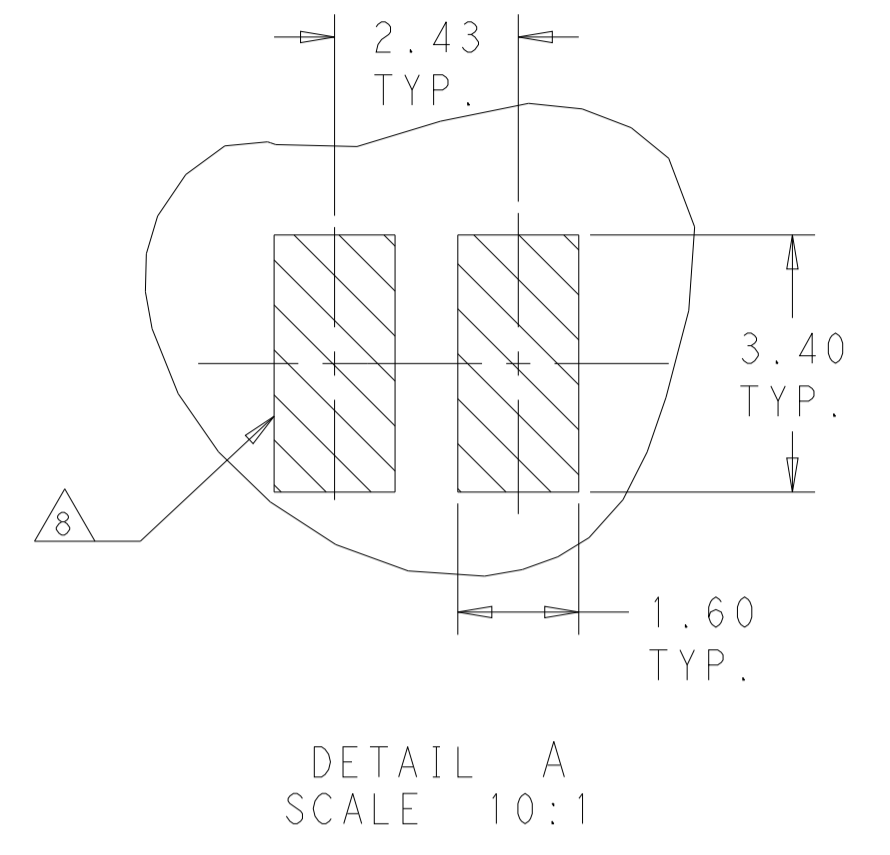
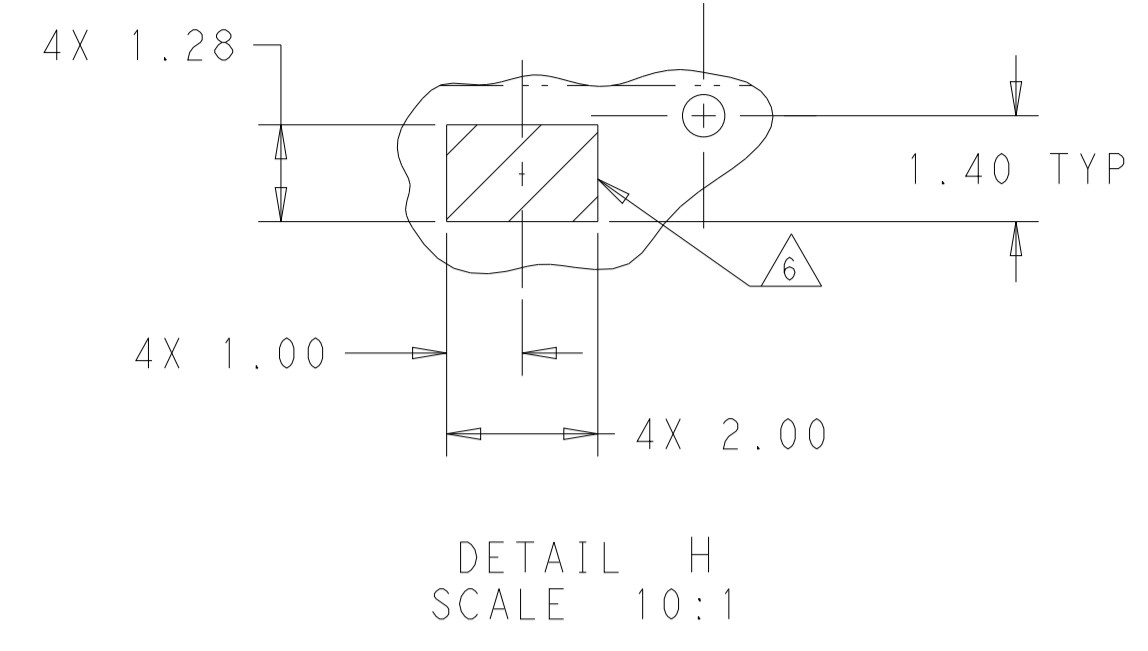
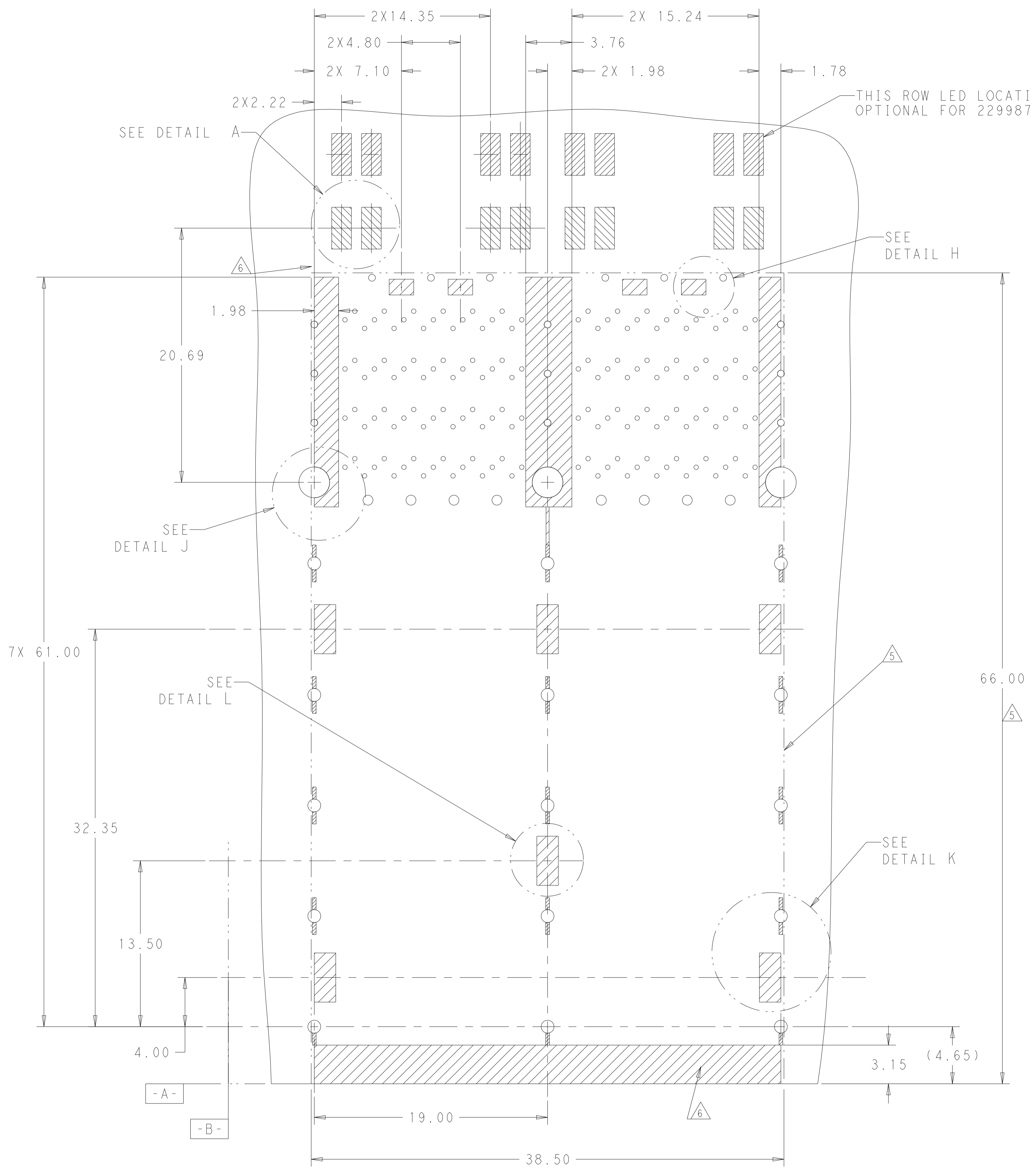
LOC		DIST		REVISIONS			
GP	00	P	LTN	DESCRIPTION	DATE	OWN	APVD
		-		SEE SHEET 1			



RECOMMENDED PC BOARD LAYOUT
 COMPONENT SIDE OF BOARD
 (PCB TOLERANCE ±0.05)
 SCALE 5:1

THIS DRAWING IS A CONTROLLED DOCUMENT.		OWN	TIM XUE	28JAN2016
DIMENSIONS:		CHK	SEAN HAN	28JAN2016
mm	0 PLC ±	APVD	SEAN HAN	28JAN2016
	1 PLC ±0.25	NAME		
	2 PLC ±0.15	CAGE AND CONNECTOR ASSEMBLY WITH		
	3 PLC ±	EMI SPRING FINGERS, THRU BEZEL,		
	4 PLC ±	2X2 ZQSFP+ STACKED WITH HS		
	ANGLES ±	PRODUCT SPEC	108-60102	APPLICATION SPEC
MATERIAL	FINISH	SIZE	CAGE CODE	DRAWING NO
SEE NOTE 1	SEE NOTE 2	114-60015	A100779	C=2299870
CUSTOMER DRAWING		WEIGHT		RESTRICTED TO
		SCALE	4:1	SHEET 13 OF 15
		REV	K	

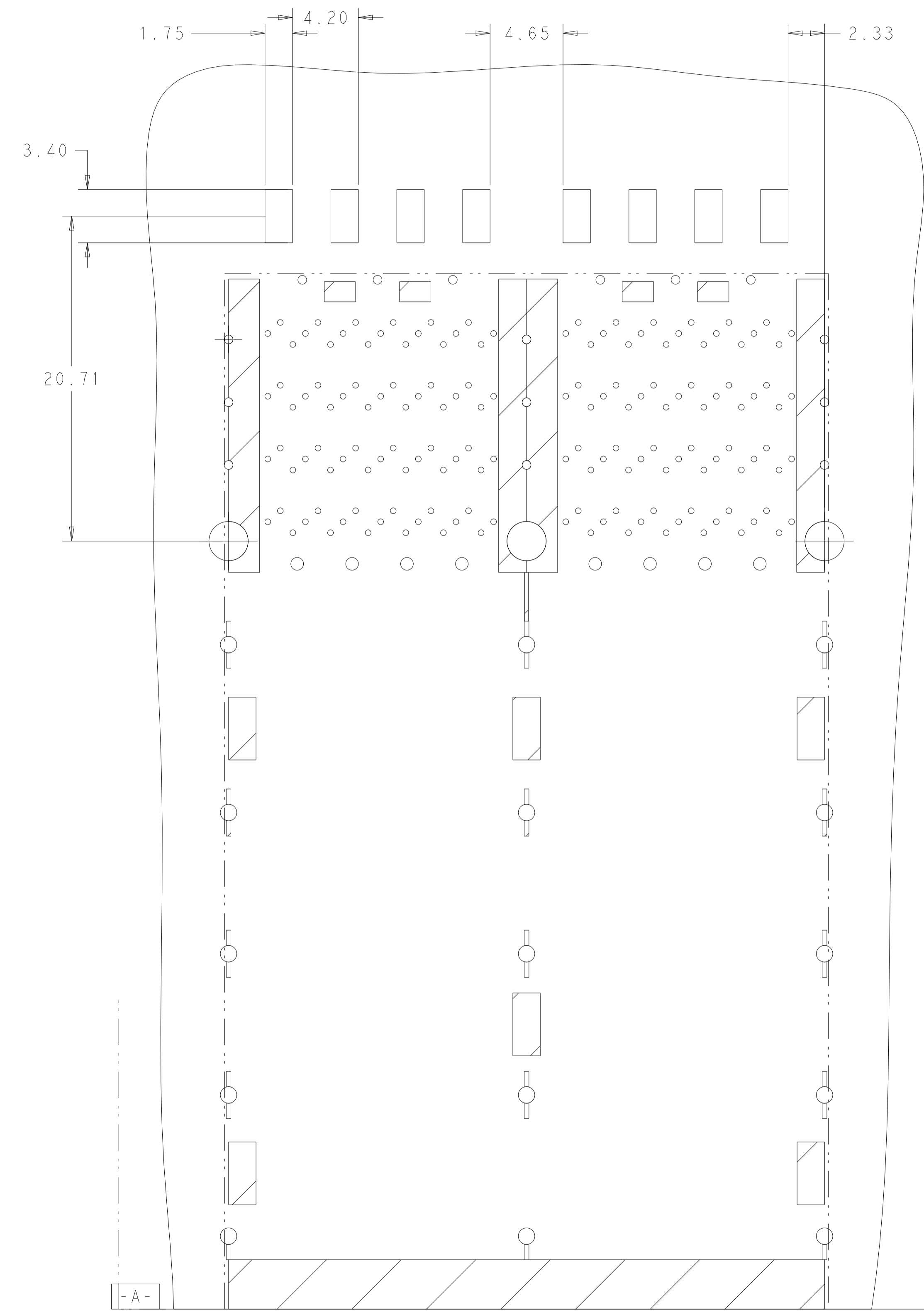
LOC	DIST	REVISIONS					
GP	00	P	LTN	DESCRIPTION	DATE	OWN	APVD
		-		SEE SHEET 1			



KEEPOUT AREAS
 COMPONENT SIDE OF BOARD
 (PCB TOLERANCE ±0.05)
 SCALE 5:1

THIS DRAWING IS A CONTROLLED DOCUMENT.		OWN: TIM XUE 28JAN2016	TE Connectivity
DIMENSIONS: mm		CHK: SEAN HAN 28JAN2016	
TOLERANCES UNLESS OTHERWISE SPECIFIED:		APVD: SEAN HAN 28JAN2016	
0 PLC ±0.25 1 PLC ±0.15 2 PLC ±0.15 3 PLC ±0.15 4 PLC ±0.15 ANGLES ±0.15 FINISH ±0.15		NAME: CAGE AND CONNECTOR ASSEMBLY WITH EMI SPRING FINGERS, THRU BEZEL, 2X2 ZQSF+ STACKED WITH HS	
MATERIAL: SEE NOTE 1	SEE NOTE 2	PRODUCT SPEC: 108-60102	RESTRICTED TO: CUSTOMER DRAWING
		APPLICATION SPEC: 114-60015	SIZE: A1
		WEIGHT: -	CAGE CODE: 100779
		SCALE: 4:1	DRAWING NO: 2299870
		SHEET: 14 OF 15	REV: K

LOC	DIST	REVISIONS			
P	LTN	DESCRIPTION	DATE	DMN	APVD
-	-	SEE SHEET 1	-	-	-



RECOMMENDED 2-2299870-5 LP LOCATION
SCALE 5:1

THIS DRAWING IS A CONTROLLED DOCUMENT.		DMN TIM XUE 28JAN2016	
DIMENSIONS: mm		CHK SEAN HAN 28JAN2016	
TOLERANCES UNLESS OTHERWISE SPECIFIED:		APVD SEAN HAN 28JAN2016	NAME CAGE AND CONNECTOR ASSEMBLY WITH EMI SPRING FINGERS, THRU BEZEL, 2X2 ZQSFP+ STACKED WITH HS
0 PLC ±	1 PLC ±0.25	PRODUCT SPEC	SIZE A100779
2 PLC ±0.15	3 PLC ±	APPLICATION SPEC	CAGE CODE C=2299870
4 PLC ±	ANGLES ±	RESTRICTED TO	114-60015
FINISH	WEIGHT	SCALE	4:1
SEE NOTE 1	SEE NOTE 2	SHEET	15 OF 15
MATERIAL CUSTOMER DRAWING		REV	K

X-ON Electronics

Largest Supplier of Electrical and Electronic Components

Click to view similar products for [I/O Connectors](#) category:

Click to view products by [TE Connectivity](#) manufacturer:

Other Similar products are found below :

[571763P](#) [72.250.1628.2](#) [72.250.2428.2](#) [74720-0505](#) [76.350.0729.0](#) [76871-1403](#) [FCN-244F080-G/1](#) [FCN-260A9920](#) [MP-5T180MUNNA-005](#)
[PCR-E36PM](#) [PCS-XE26MA+](#) [G38A71314B](#) [1571250010](#) [157-22500-3](#) [MS3471L14-19P L/C](#) [91-569786-35H](#) [172501-4002](#) [172501-6002](#)
[FCN-260C008-A/L0](#) [FCN-260C024-AL0](#) [FCN-261Z008](#) [2000314-1](#) [200331-1](#) [PCR-E36FC+](#) [PCS-E28FS+](#) [PCS-XE26SLFD+](#) [PCS-](#)
[XE26SLFDT+](#) [G730VID08BDC24](#) [U90B2054081210](#) [UE86K842720321](#) [38113800006](#) [DP3AR020WQ1R200](#) [Z4.102.0680.0](#) [500-1040](#)
[500-1052](#) [500-1054](#) [ZP-4008-66L](#) [0709821002](#) [10-565995-597N](#) [DX40-20P\(55\)](#) [5554841-1](#) [MS3474W18-8P-LC*](#) [U90B3054061110](#) [U65-](#)
[E04-4020](#) [ZPF000000000097891](#) [557-262M2-06C](#) [747360449](#) [10099439-003C-TRLF](#) [10137239-0021LF](#) [E9320-001-01](#)