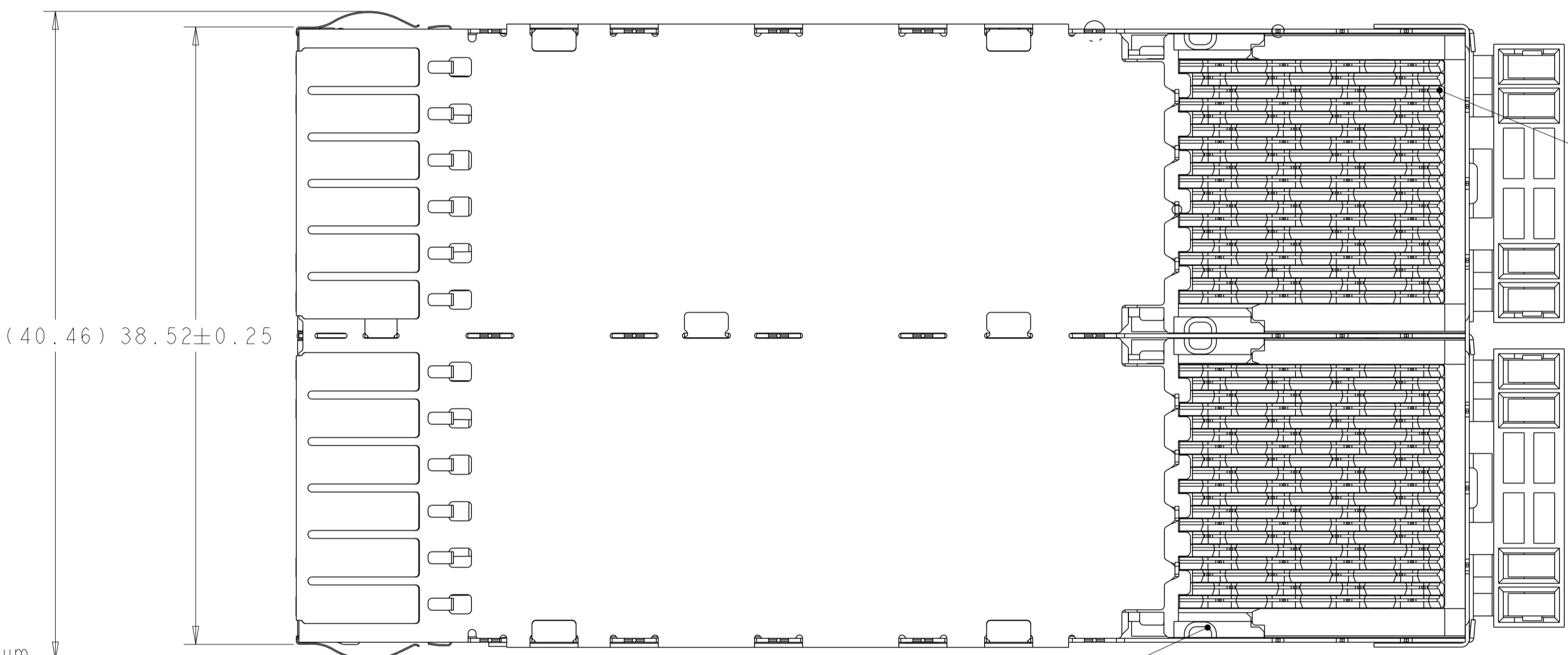
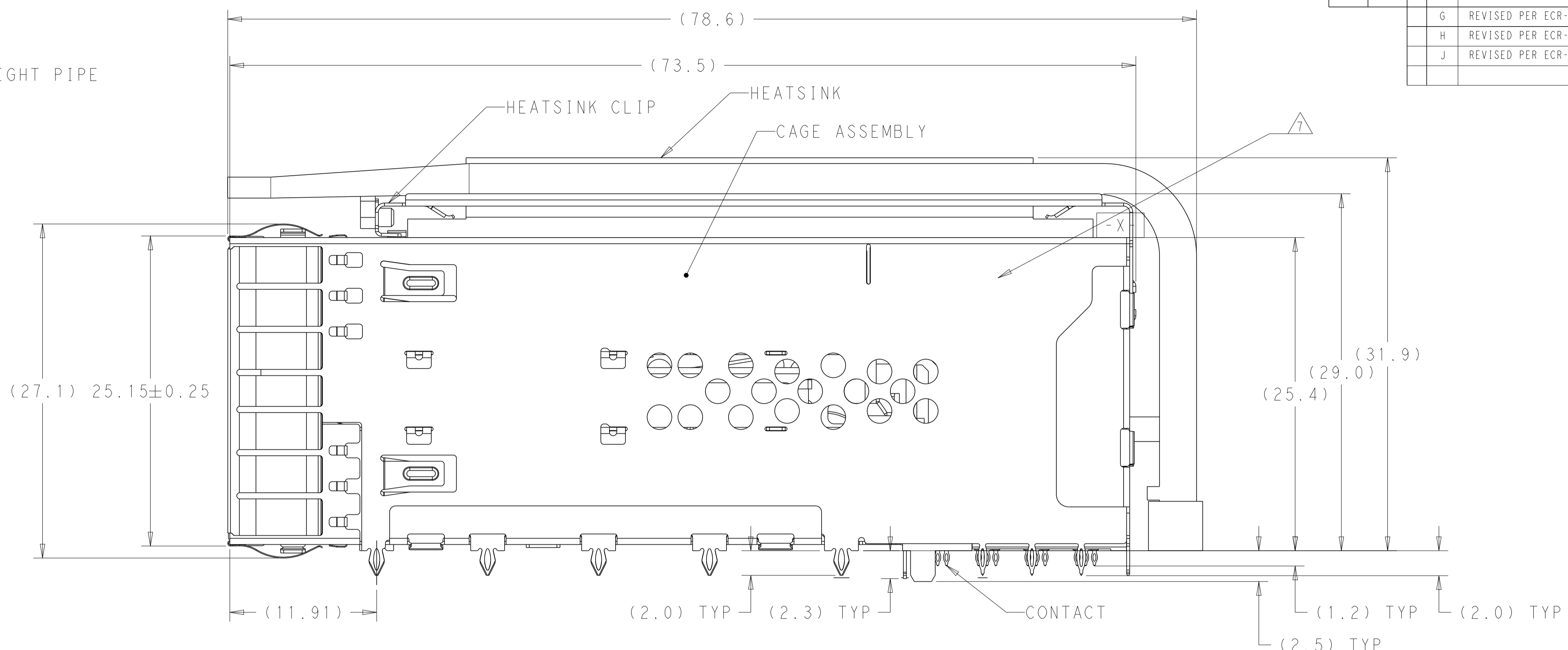
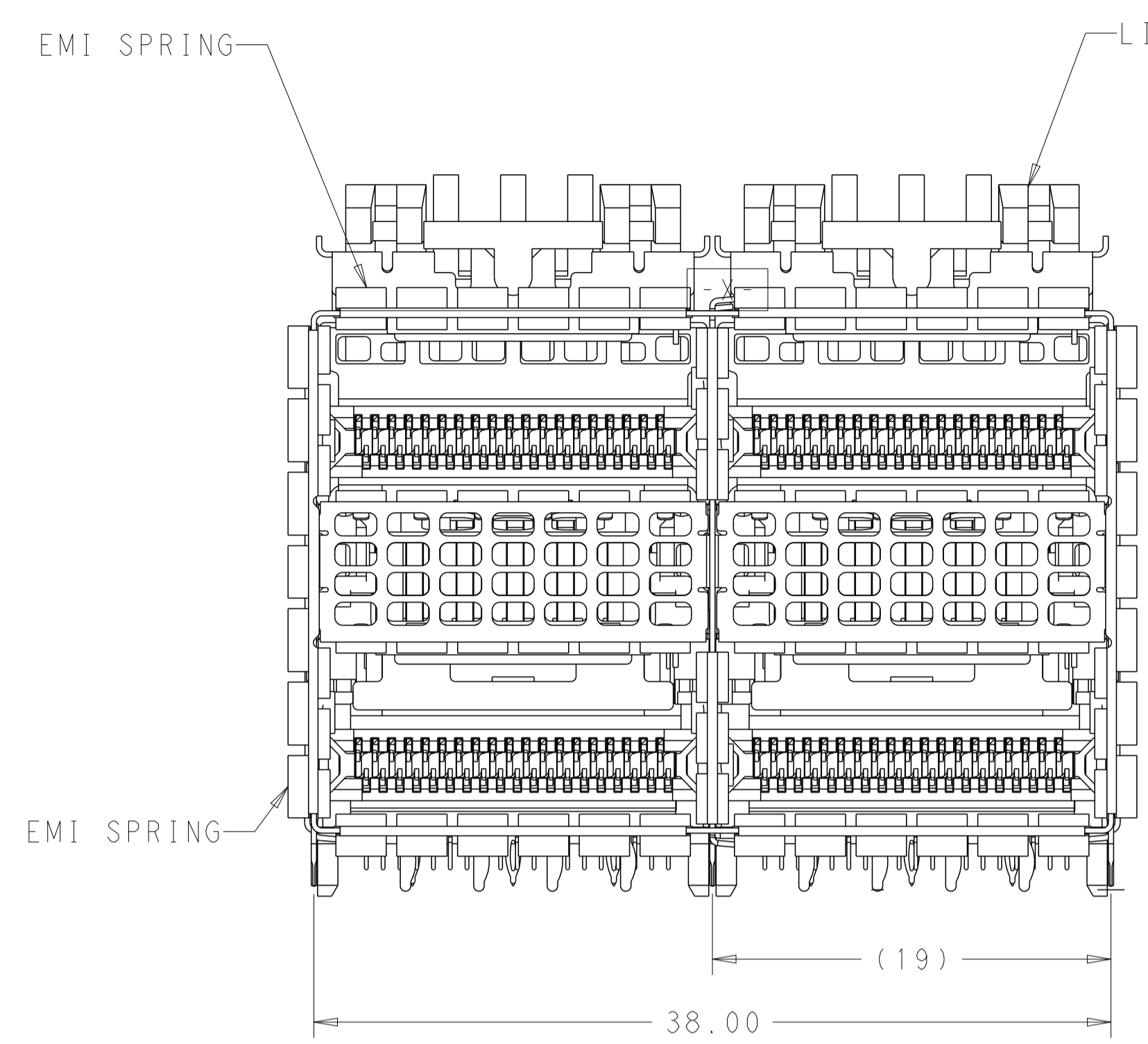


LOC	DIST	REVISIONS					
GP	00	P	LTN	DESCRIPTION	DATE	DMN	APVD
		G		REVISED PER ECR-19-017405	22NOV2019	RM	SH
		H		REVISED PER ECR-19-019853	06JAN2020	RM	SH
		J		REVISED PER ECR-20-012291	09SEP2020	RM	SH



2299870-1

1. MATERIALS:
 CAGE ASSEMBLY- NICKEL SILVER ALLOY PER ASTM B 122.
 EMI SPRING- COPPER ALLOY, NICKEL PLATED.
 HOUSING- POLYESTER LCP WITH 94V-0.
 CHICKLET- POLYESTER LCP WITH 94V-0.
 CONTACT- COPPER ALLOY.
 LIGHTPIPE- POLYCARBONATE WITH 94V-0.

- 2 CONTACT FINISH: 0.76µm GOLD ON MATING AREA, 0.7-1.5µm MATT TIN ON COMPLIANT AREA, ALL OVER 1.27µm NICKEL.
- 3 DATUM AND BASIC DIMENSION ESTABLISHED BY CUSTOMER.
4. MINIMUM PCB THICKNESS OF 1.57.
- 5 THE ENTIRE AREA OF THE CONNECTOR FOOTPRINT, INDICATED BY THE DASHED LINE, TO BE CONSIDERED THE KEEPOUT AREA FOR COMPONENTS AND TRACES.
- 6 CROSS-HATCHED AREAS REPRESENT ZONES ON THE PCB THAT COME IN CONTACT WITH OR BE IN CLOSE PROXIMITY TO THE PLASTIC HOUSING OR THE CONNECTOR CAGE. INDICATED AREAS TO BE CONSIDERED TRACE FREE.
- 7 PART NUMBER AND DATE CODE MAKED IN APPROXIMATE AREA SHOWN.
- 8 HATCHED AREA IS PLACEMENT ZONE FOR LED. LED SHOULD BE CENTERED WITHIN ZONE. RECOMMEND 0805 PACKAGE.
- 9 CONTACT FINISH: 0.08µm MINIMUM GOLD OVER 0.68µm PALLADIUM-NICKEL ON MATING AREA, 0.7-1.5µm MATT TIN ON COMPLIANT AREA, ALL OVER 1.27µm NICKEL.
- 10 LOW Br/CI AS DEFINED IN TEC-138-702.
- 11 LIGHT PIPE WITH COATING.
- 12 REMOVE THE PCB HOLES FOR 3-2299870-0 FOR SPECIAL APPLICATION.
- 13 HEAT SINK WITH NICKEL PLATING

CONTACT FINISH	DESCRIPTION	PART NUMBER
2	WITH HS & WITH LP	3-2299870-8
2	WITH HS & WITHOUT LP	3-2299870-1
2	WITH HS & WITH LP	3-2299870-0
2	WITH HS & WITH LP	2-2299870-8
2	WITHOUT HS & WITH LP	2-2299870-5
2	WITH HS & WITH LP	2-2299870-3
2	WITH HS & WITHOUT LP	2-2299870-2
2	WITHOUT UPPER HS OR LP	2-2299870-1
2	WITH HS & WITH LP	2-2299870-0
1	WITH HS & WITH LP	1-2299870-9
1	WITH HS & WITH LP	1-2299870-8
2	WITH HS & WITHOUT LP	1-2299870-6
2	WITH HS & WITH LP	1-2299870-5
2	WITH HS & WITHOUT LP	1-2299870-3
2	WITH HS & WITHOUT LP	1-2299870-2
2	WITH HS & WITH LP	1-2299870-0
2	WITH HS & WITH LP	2299870-9
2	WITH HS & WITH LP	2299870-8
1	WITH HS & WITH LP	2299870-7
2	WITH HS & WITHOUT LP	2299870-6
2	WITHOUT UPPER HS OR LP	2299870-5
2	WITHOUT UPPER HS OR LP	2299870-4
2	WITH HS & WITHOUT LP	2299870-3
2	WITH HS & WITHOUT LP	2299870-2
2	WITH HS & WITH LP	2299870-1

THIS DRAWING IS A CONTROLLED DOCUMENT.

DMN: TIM XUE 28JAN2016
 CHG: SEAN HAN 28JAN2016
 APVD: SEAN HAN 28JAN2016

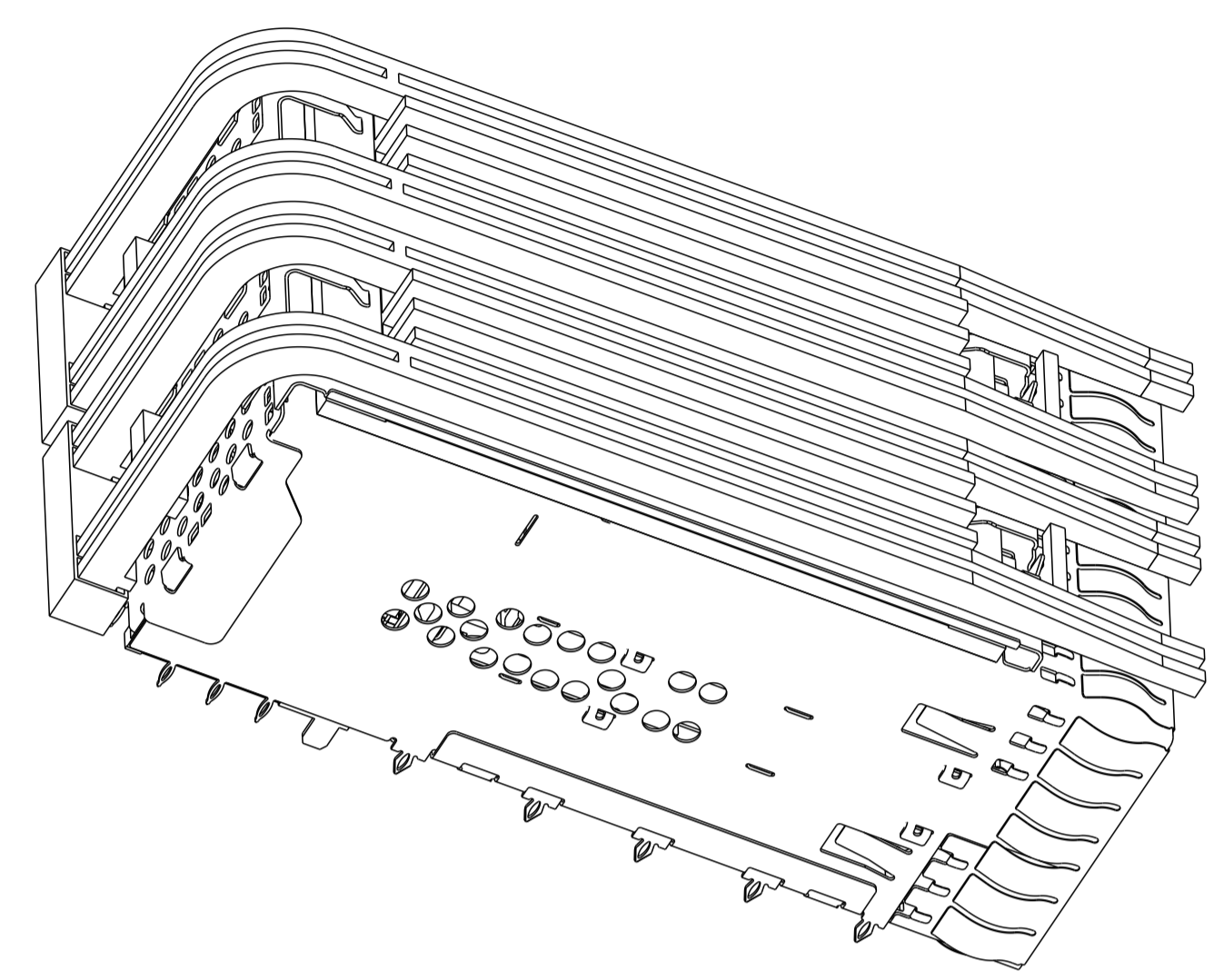
TE Connectivity

CAGE AND CONNECTOR ASSEMBLY WITH EMI SPRING FINGERS, THRU BEZEL, 2X2 ZQSF+ STACKED WITH HS

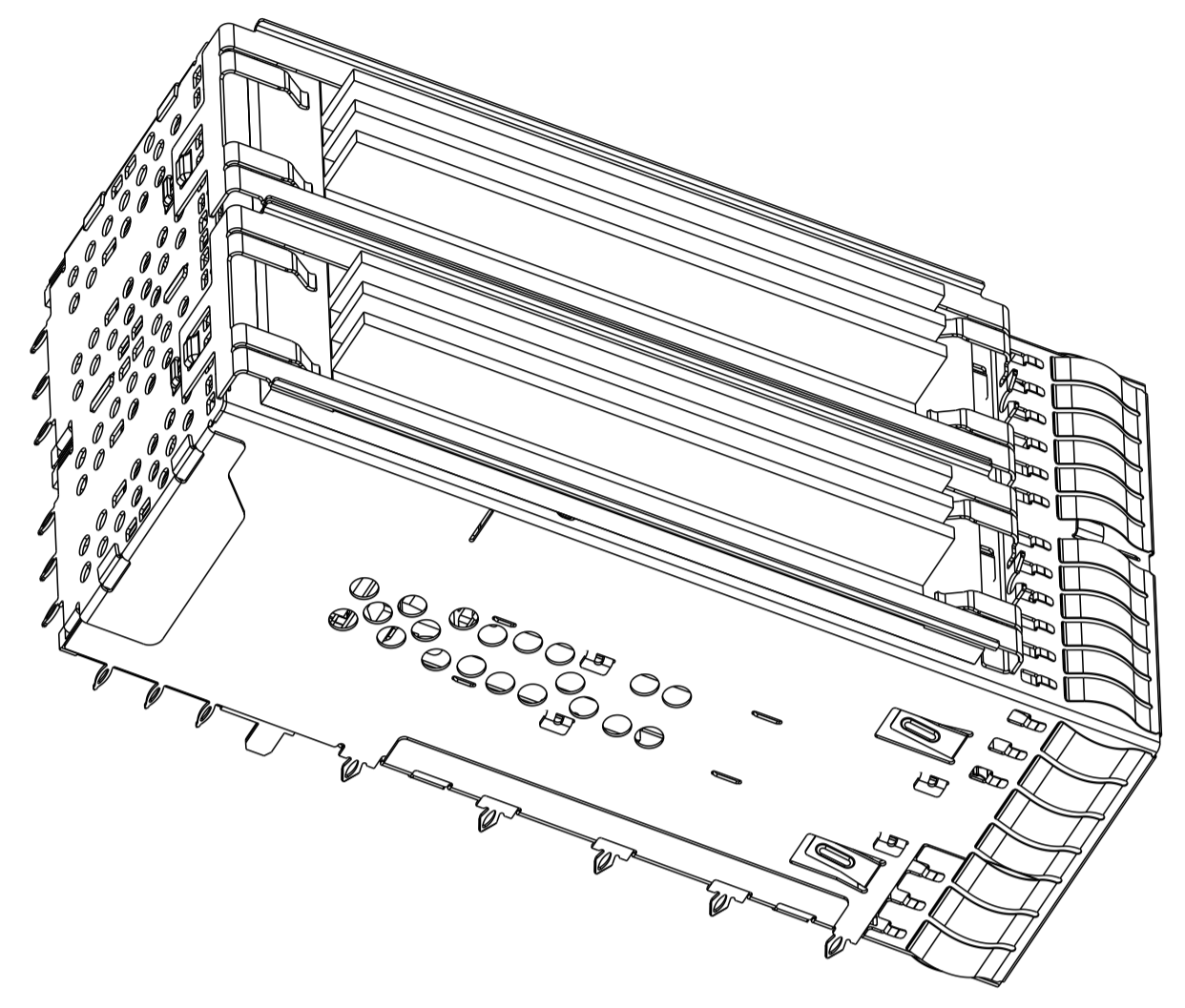
108-60102
 114-60015

SCALE: 4:1 SHEET 1 OF 15 REV J

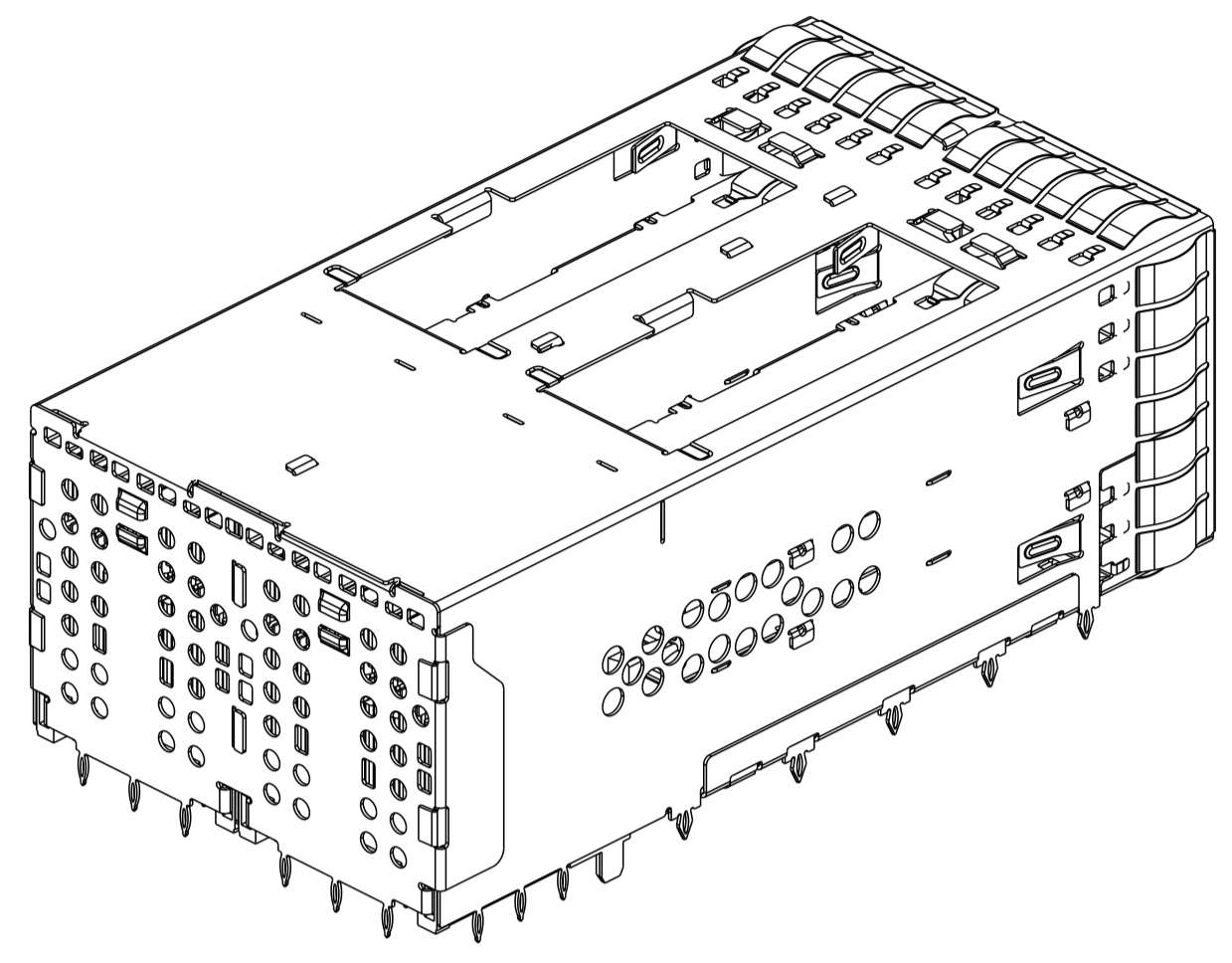
LOC	DIST	REVISIONS					
GP	00	P	LYR	DESCRIPTION	DATE	OWN	APVD
		-		SEE SHEET 1			



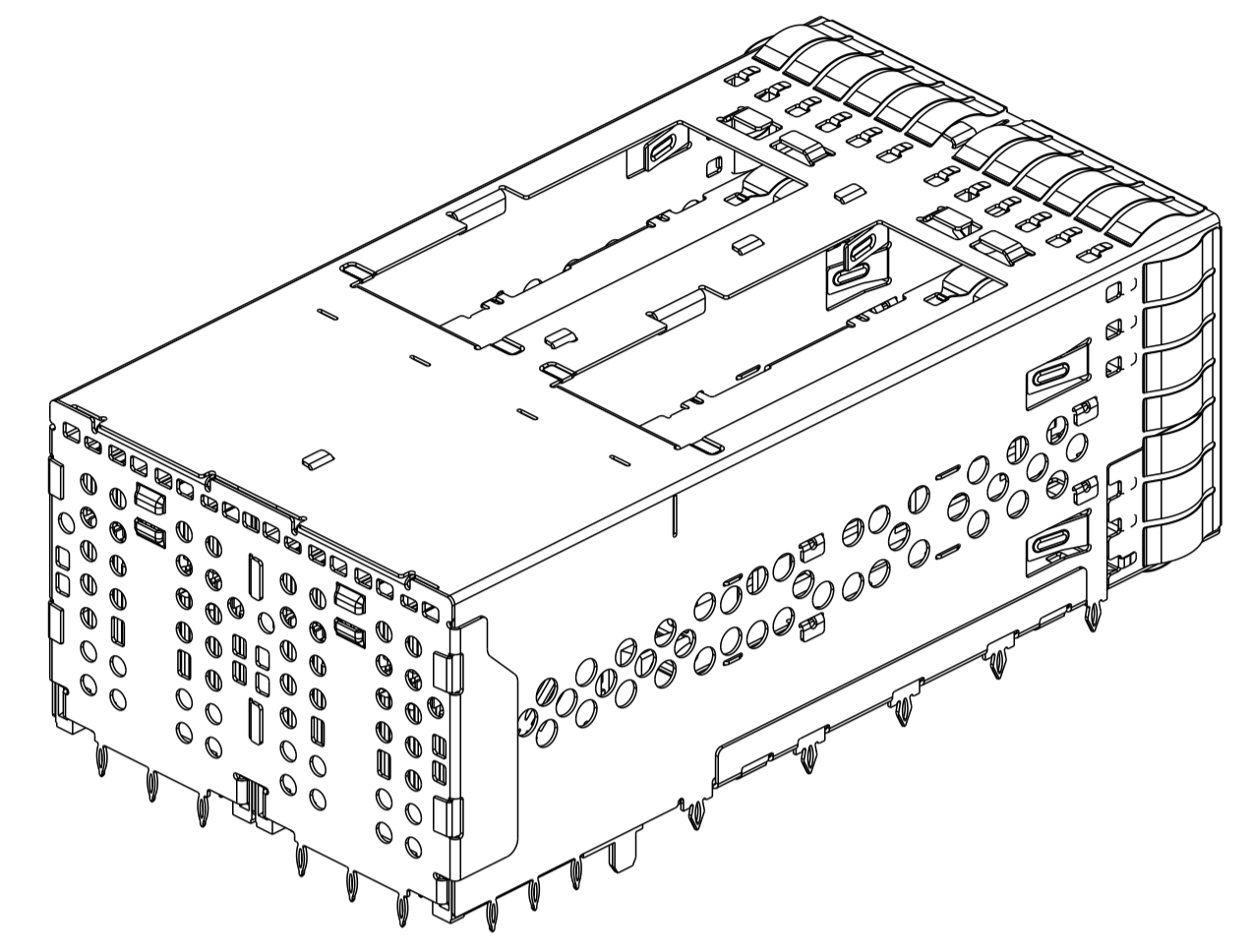
2299870-1 AS SHOWN
SCALE 2:1



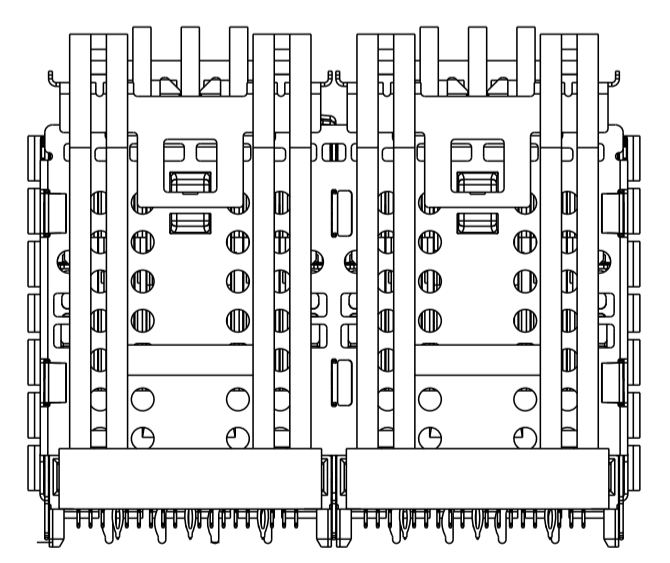
2299870-2 AND 1-2299870-2AS SHOWN
SAME AS 2299870-1 EXCEPT
W/O LEGHT PIPE AND ORGANIZER
SCALE 2:1



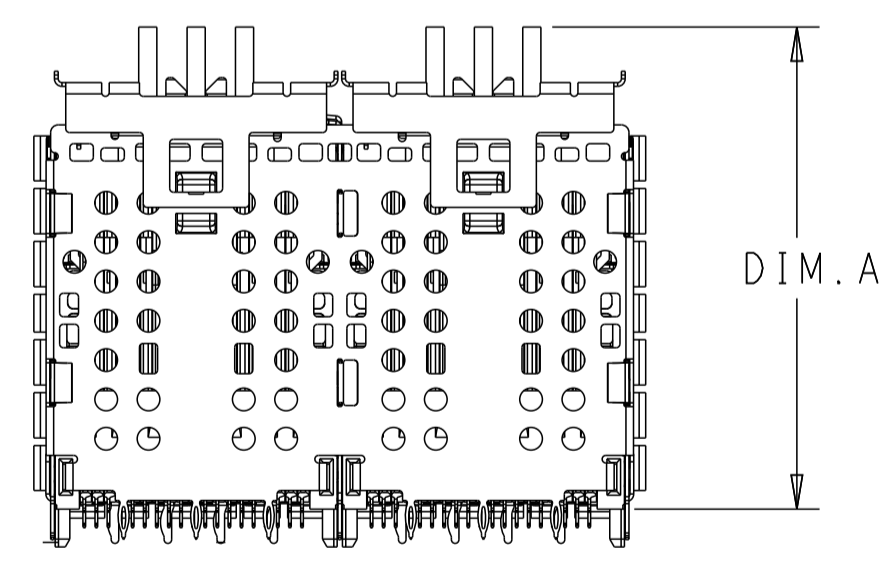
2299870-4 AS SHOWN
SAME AS 2299870-2 EXCEPT
W/O EXTERNAL HEAT SINK AND LP
SCALE 2:1



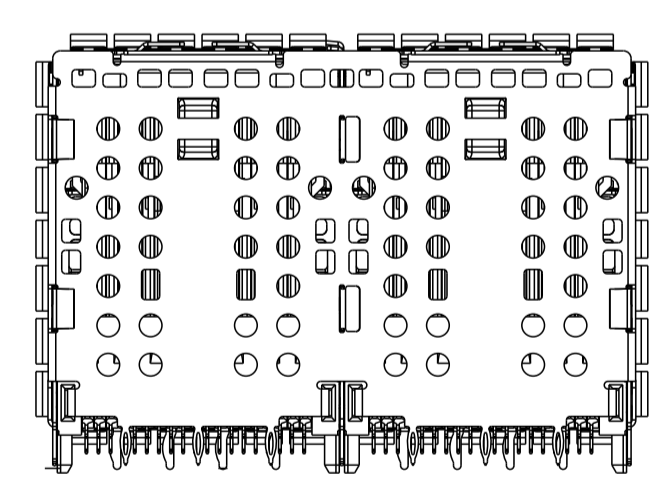
2299870-5
2-2299870-1
SCALE 2:1



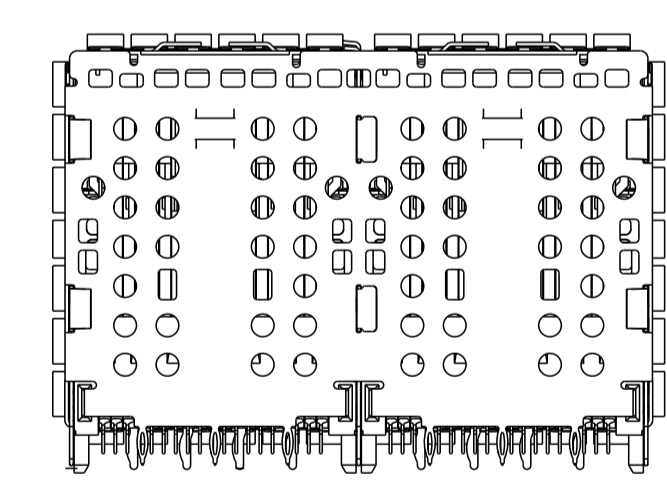
2299870-1
SCALE 2:1



2299870-2
1-2299870-2
SCALE 2:1



2299870-4
SCALE 2:1

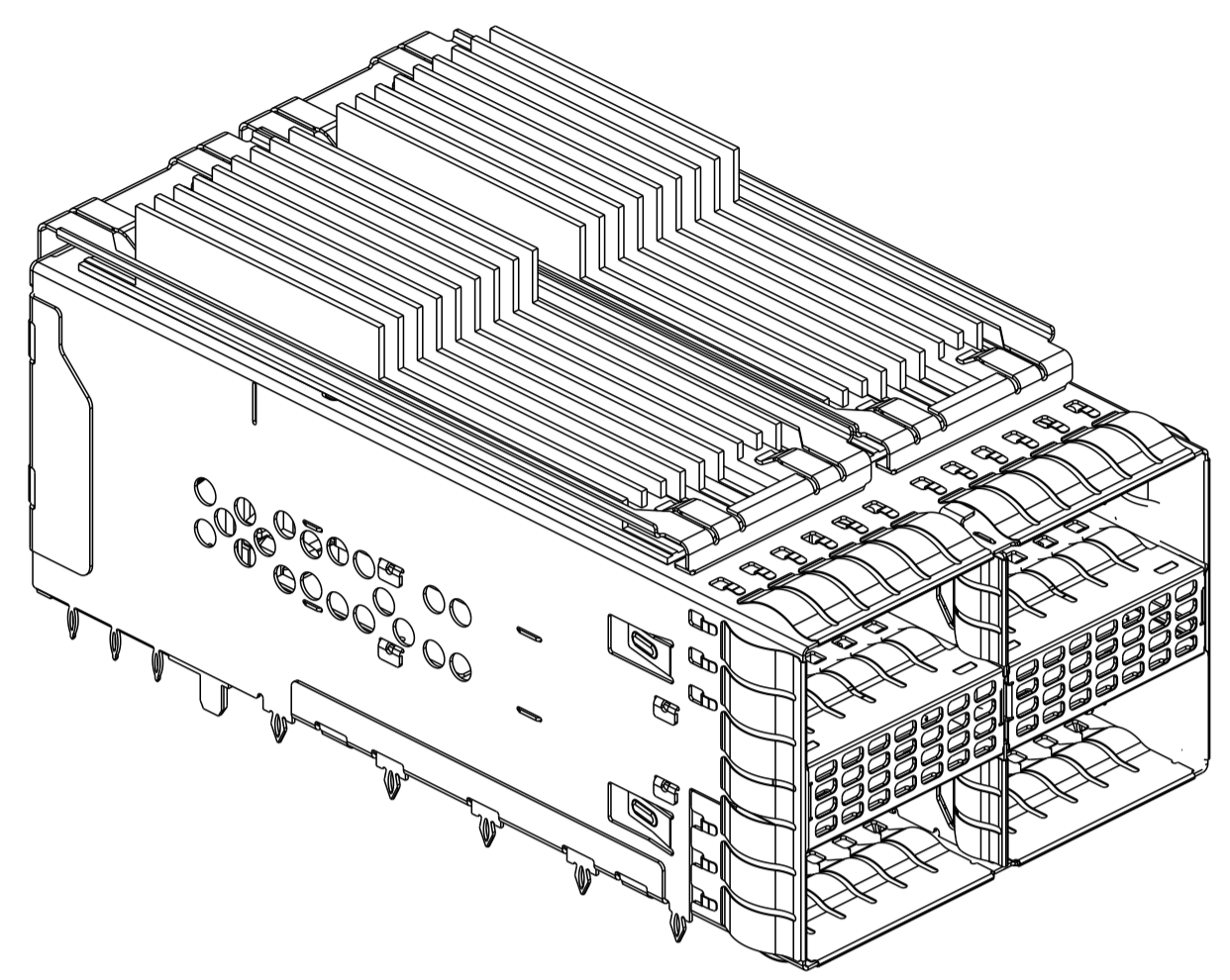


2299870-5
2-2299870-1
SCALE 2:1

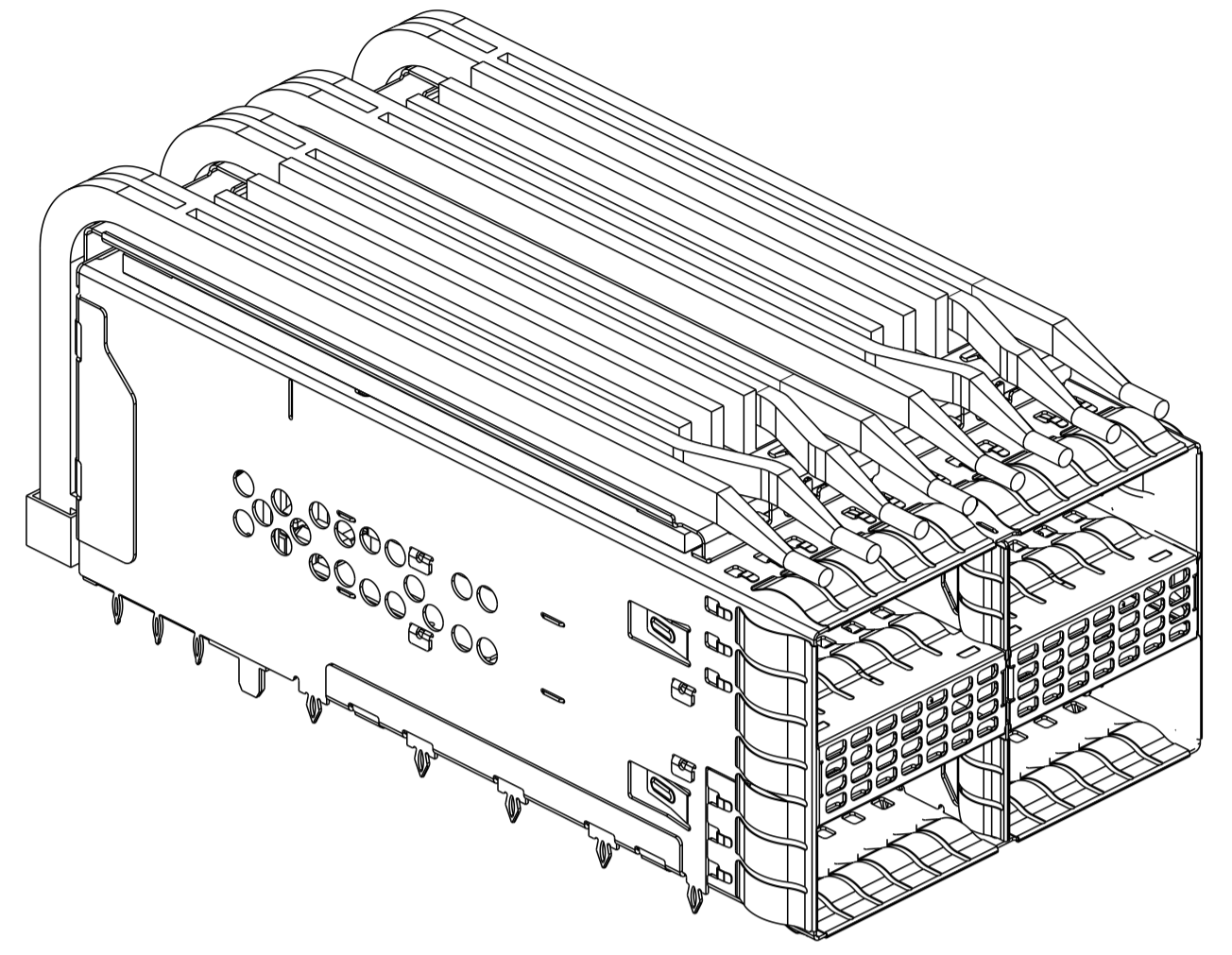
30.9	1-2299870-2
31.9	2299870-2
DIM.A	PART NUMBER

THIS DRAWING IS A CONTROLLED DOCUMENT.		OWN TIM XUE 28JAN2016	TE Connectivity
DIMENSIONS:		CHK SEAN HAN 28JAN2016	
mm	0 PLC ± 1 PLC ±0.25 2 PLC ±0.15 3 PLC ± 4 PLC ±	APVD SEAN HAN 28JAN2016	NAME CAGE AND CONNECTOR ASSEMBLY WITH EMI SPRING FINGERS, THRU BEZEL, 2X2 ZQSPF+ STACKED WITH HS
		PRODUCT SPEC 108-60102	SIZE A1
MATERIAL SEE NOTE 1		FINISH SEE NOTE 2	RESTRICTED TO CUSTOMER DRAWING
		APPLICATION SPEC 114-60015	SCALE 4:1 SHEET 2 OF 15 REV J

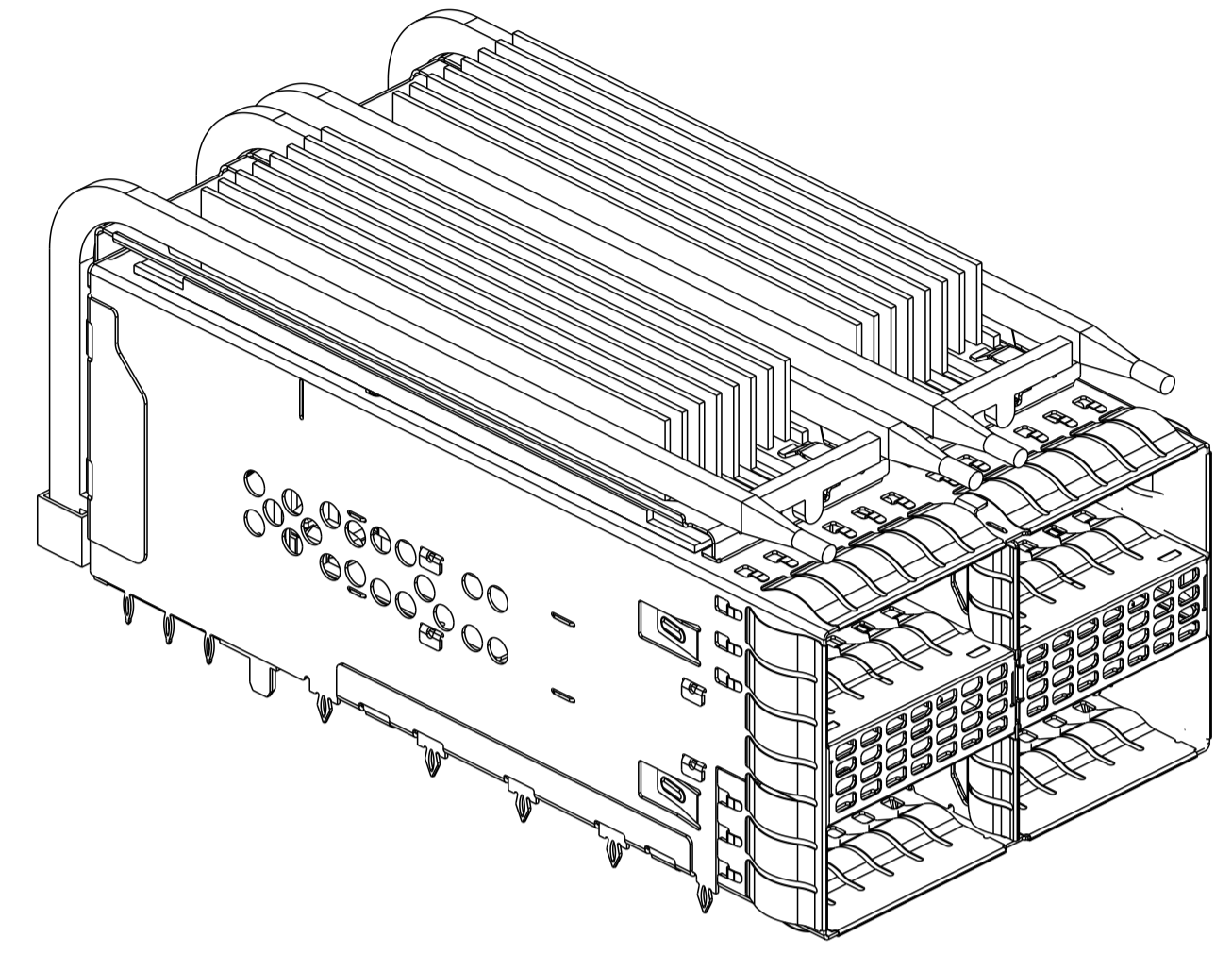
LOC	DIST	REVISIONS			
P	LYN	DESCRIPTION	DATE	OWN	APVD
GP	00	SEE SHEET 1			



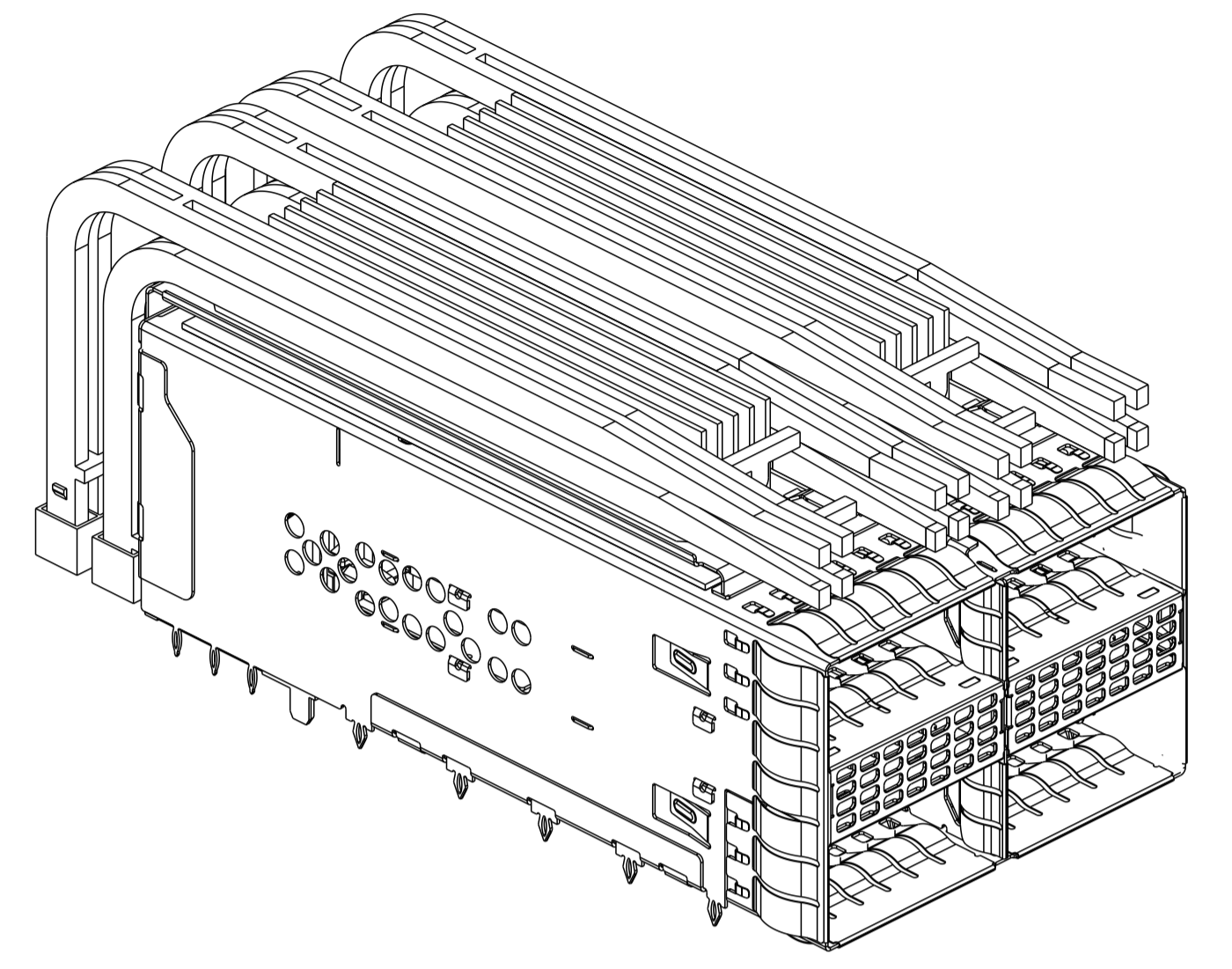
2299870-6
SCALE 2:1



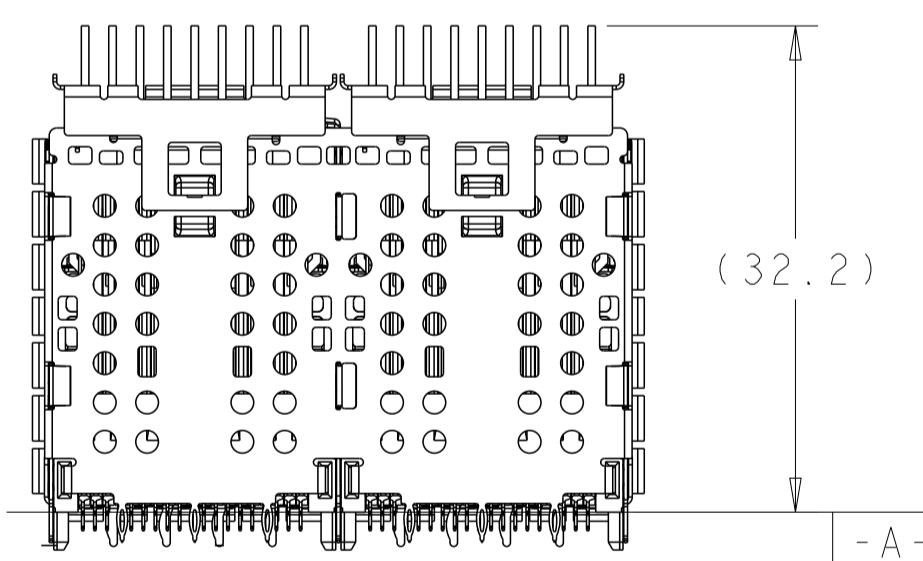
2299870-7
SCALE 2:1



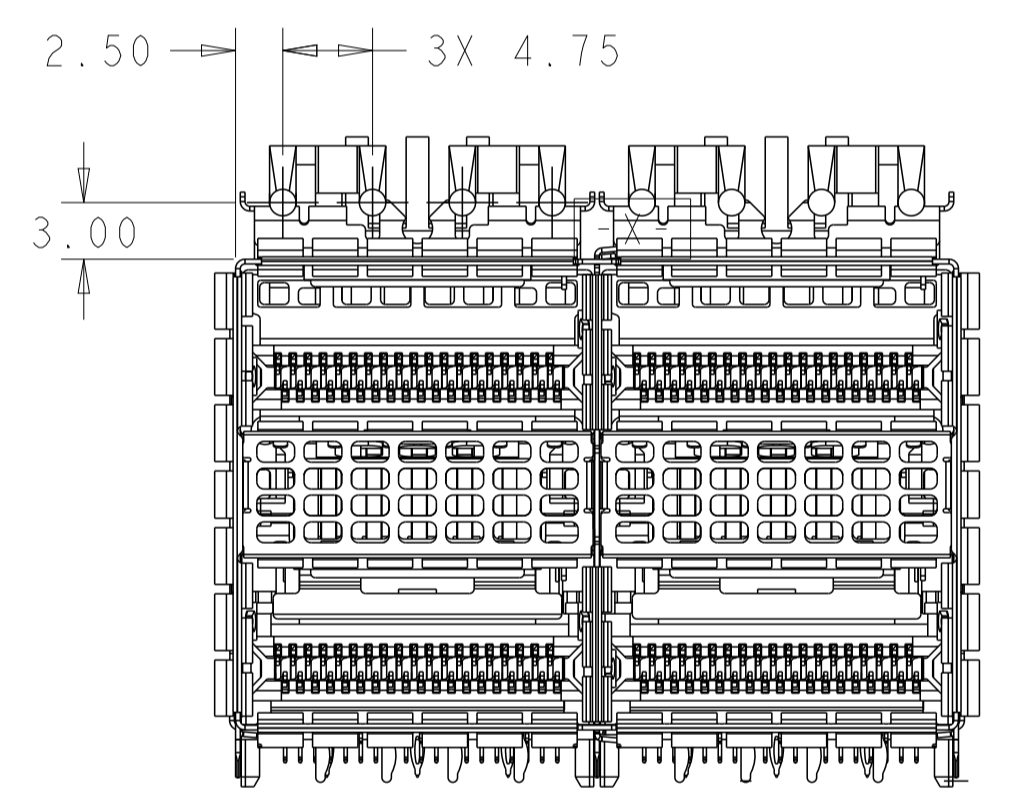
2299870-8
SCALE 2:1



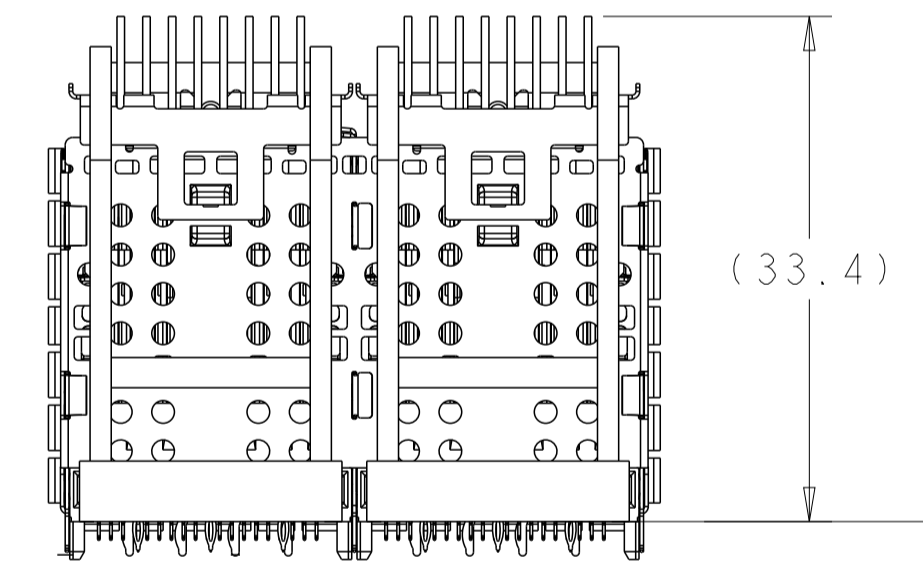
2299870-9
SCALE 2:1



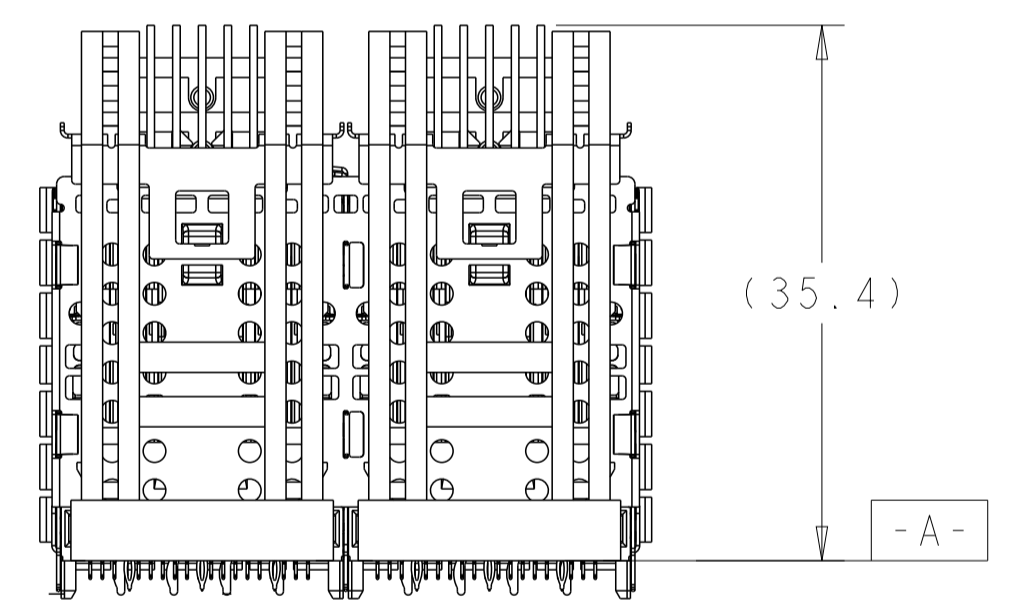
2299870-6
SCALE 2:1



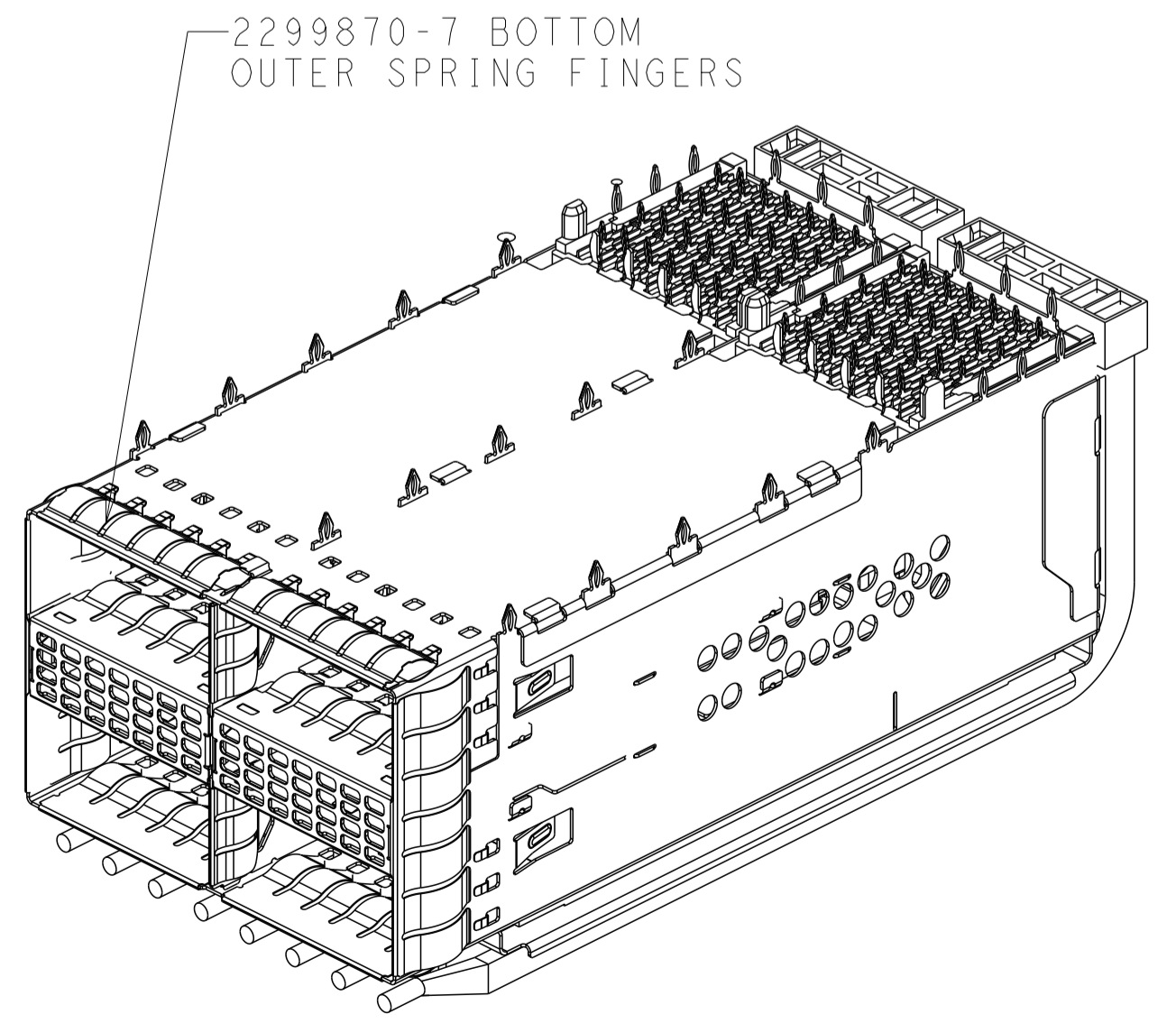
SCALE 5:2



2299870-8
SCALE 2:1



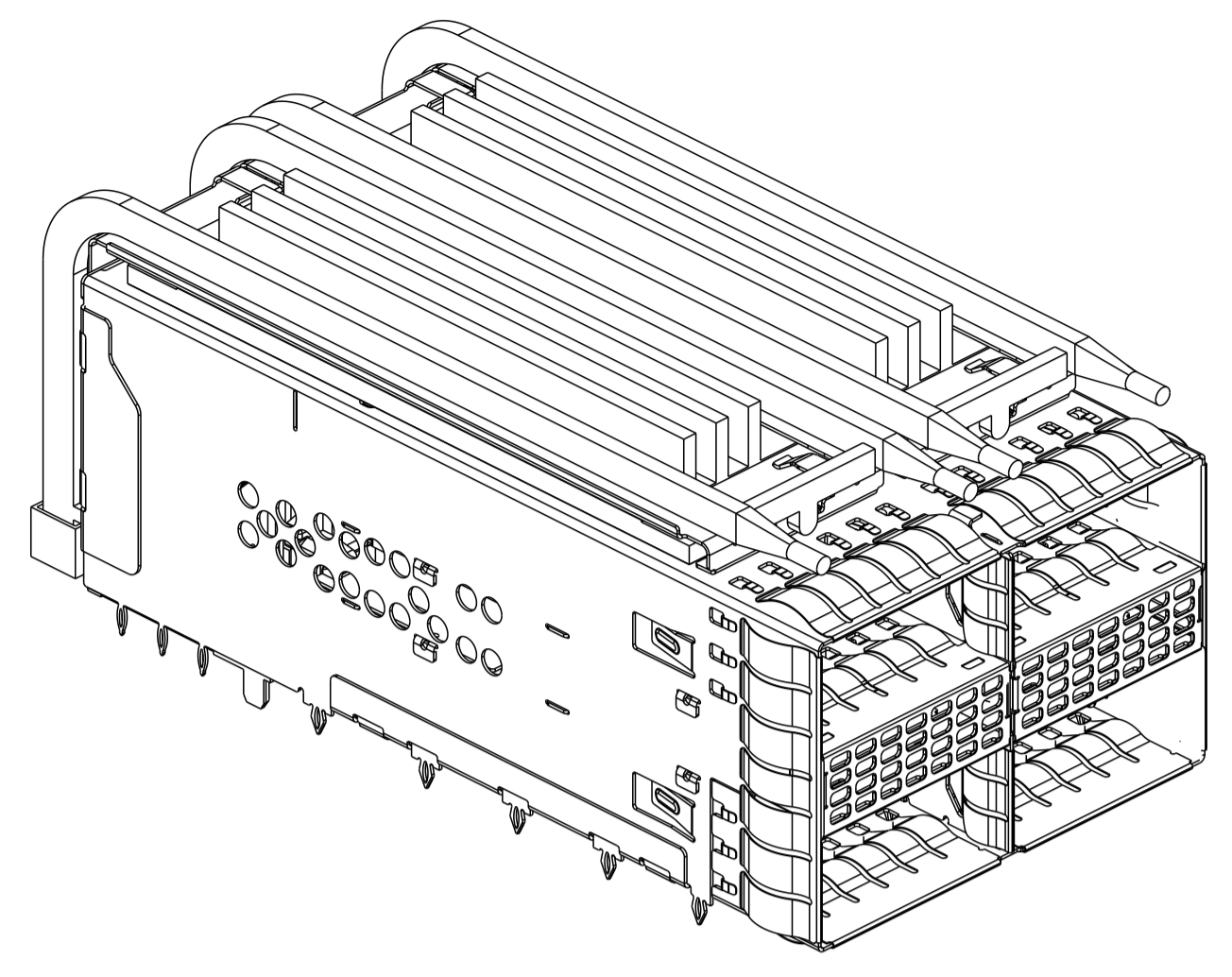
SCALE 2:1



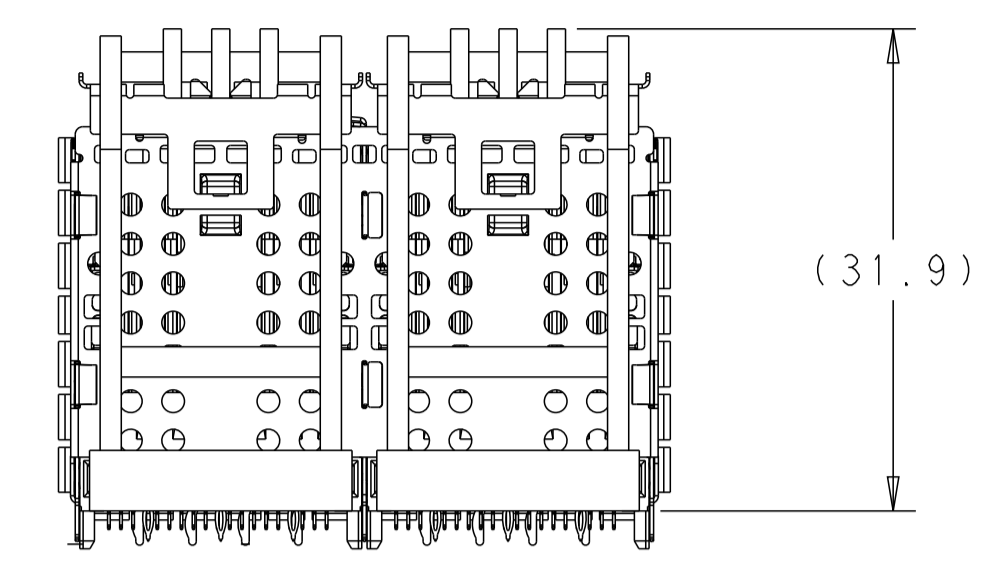
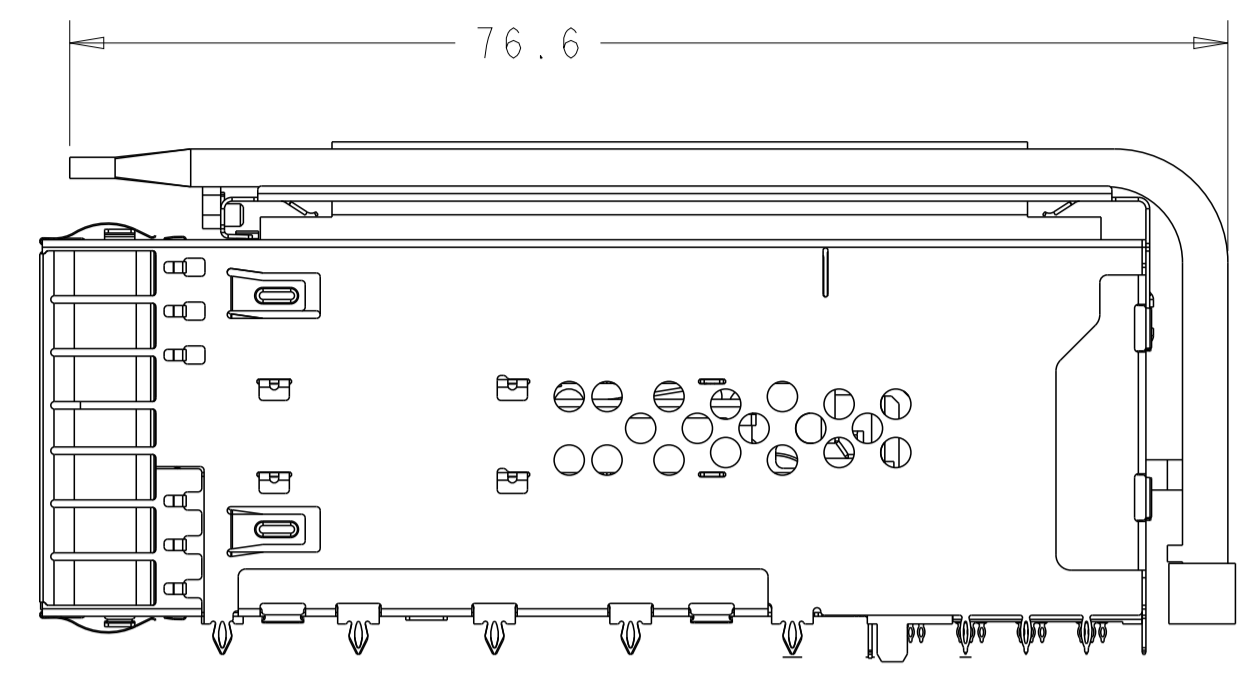
2299870-7
SCALE 2:1

THIS DRAWING IS A CONTROLLED DOCUMENT.		OWN: TIM XUE 28JAN2016	
DIMENSIONS: mm		CHK: SEAN HAN 28JAN2016	
TOLERANCES UNLESS OTHERWISE SPECIFIED:		APVD: SEAN HAN 28JAN2016	
0 PLC ± 1 PLC ±0.25 2 PLC ±0.15 3 PLC ± 4 PLC ± ANGLES ± FINISH ±		NAME: CAGE AND CONNECTOR ASSEMBLY WITH EMI SPRING FINGERS, THRU BEZEL, 2X2 ZOSFP+ STACKED WITH HS	
MATERIAL: SEE NOTE 1	SEE NOTE 2	SIZE: 114-60015	RESTRICTED TO: A100779C=2299870
CUSTOMER DRAWING		SCALE: 4:1	SHEET 3 OF 15 REV J

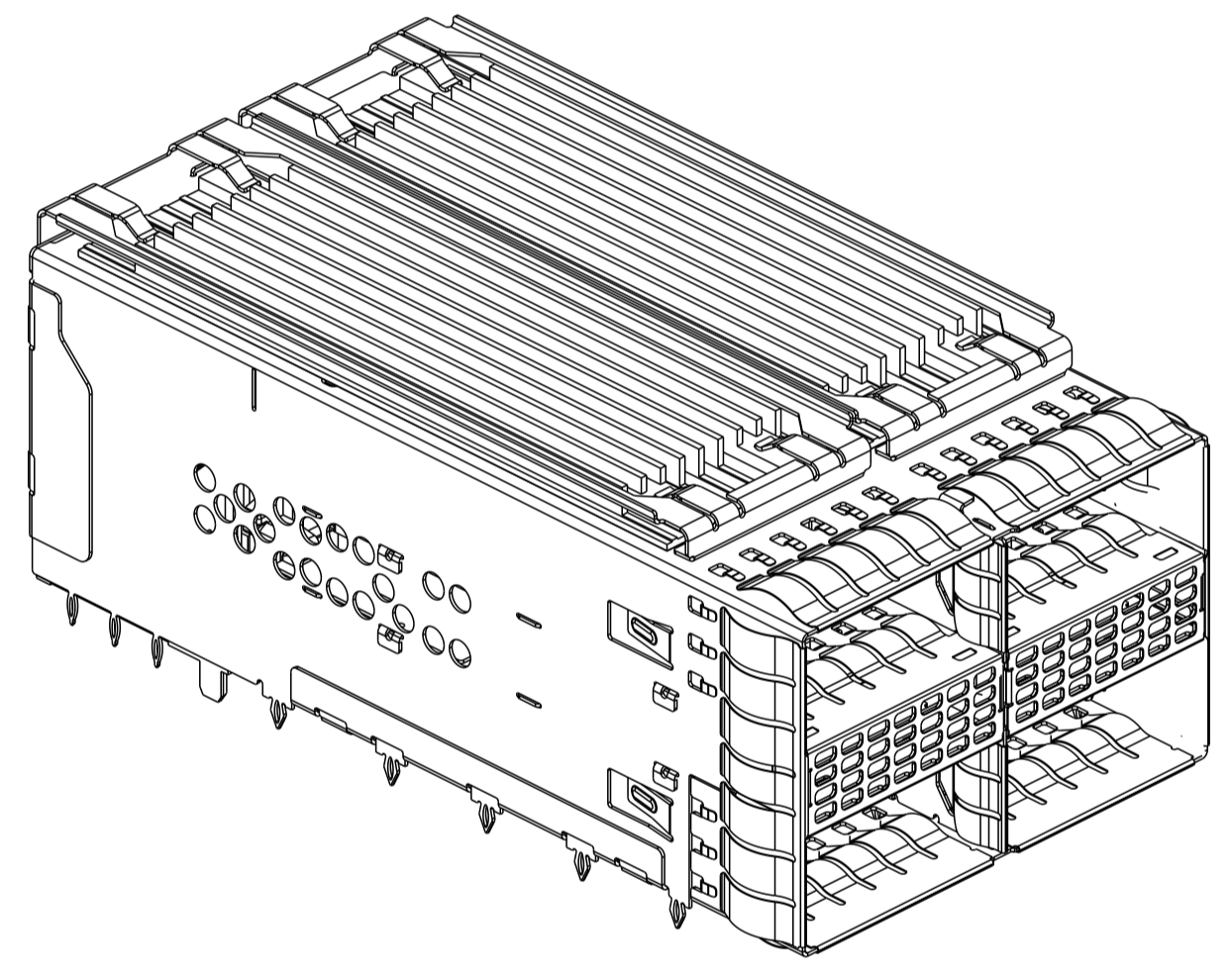
LOC		DIST		REVISIONS				
P	LYR	DATE	OWN	APVD	DESCRIPTION	DATE	OWN	APVD
-	-	-	-	-	SEE SHEET 1	-	-	-



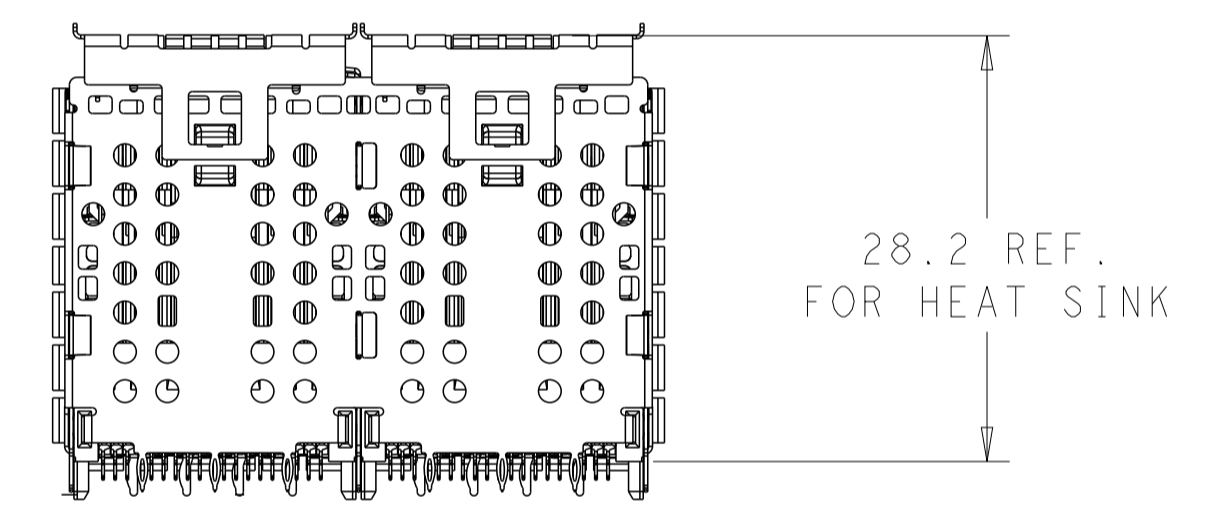
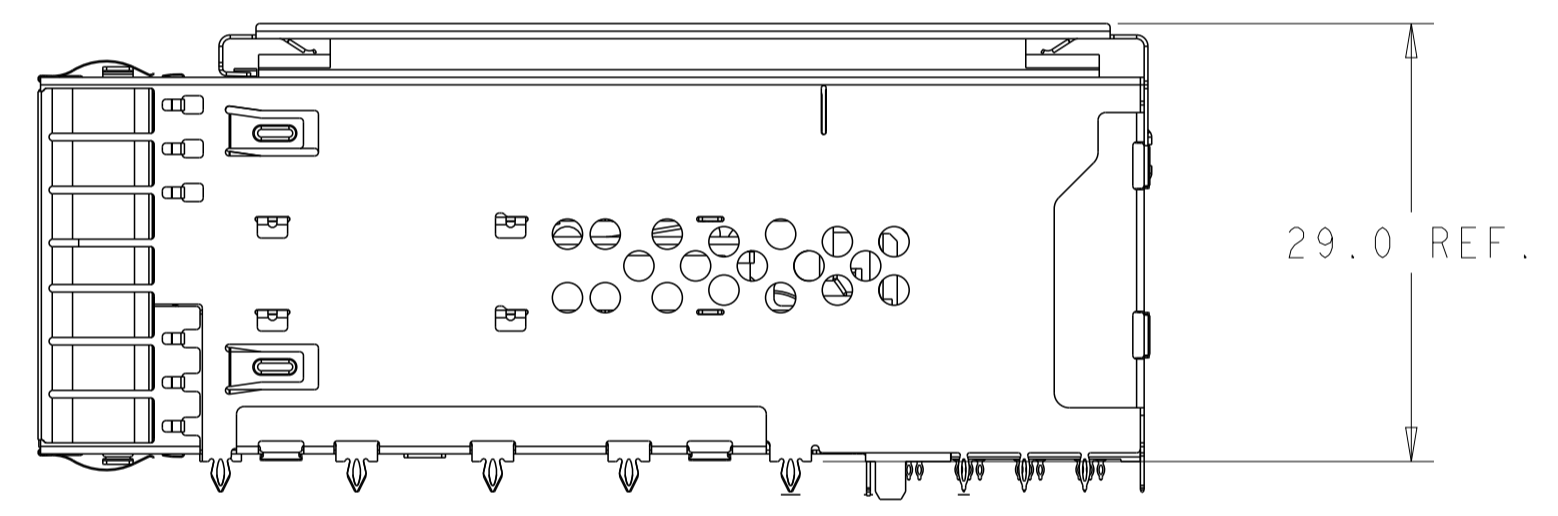
1-2299870-0
SCALE 2:1



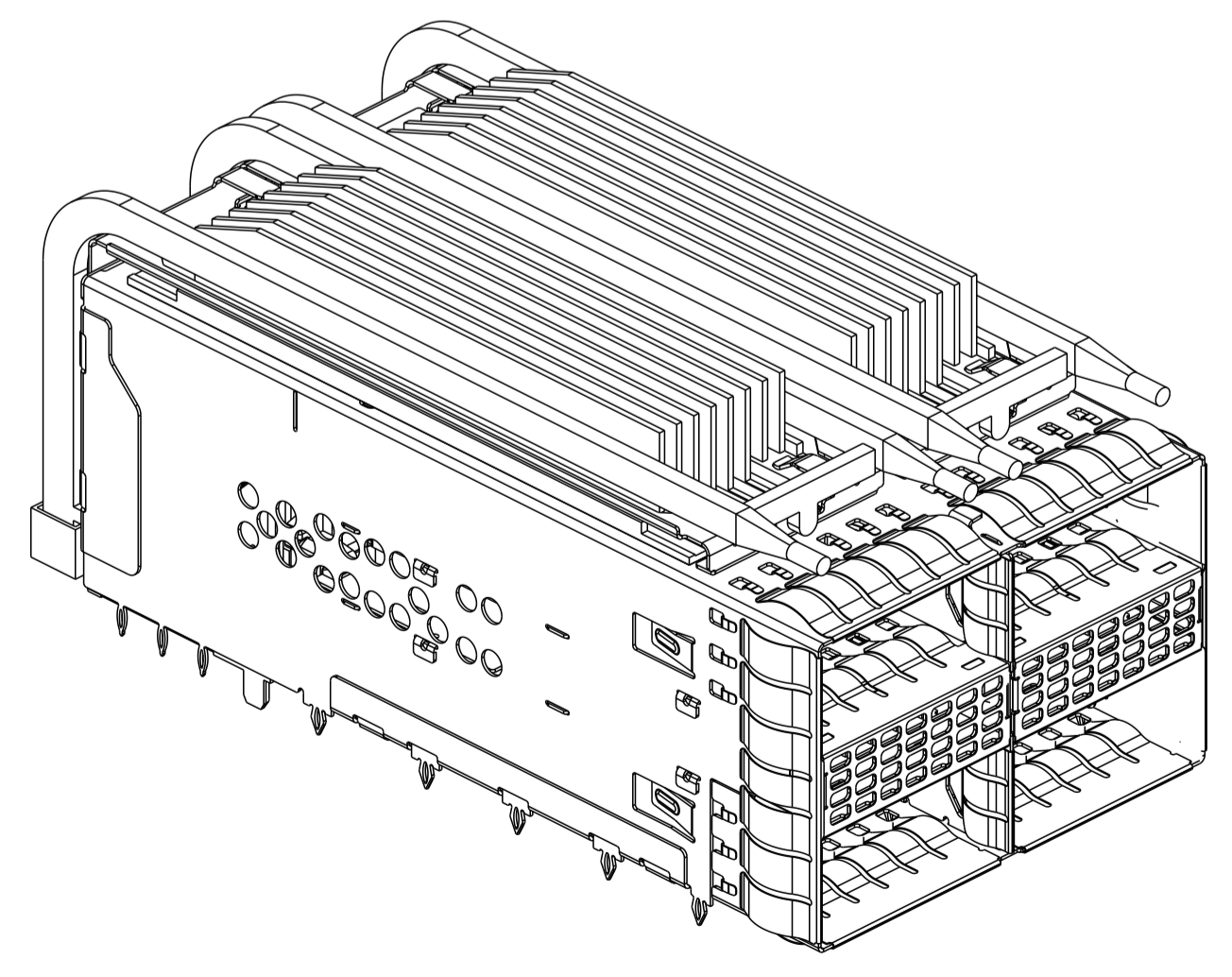
1-2299870-0
SCALE 2:1



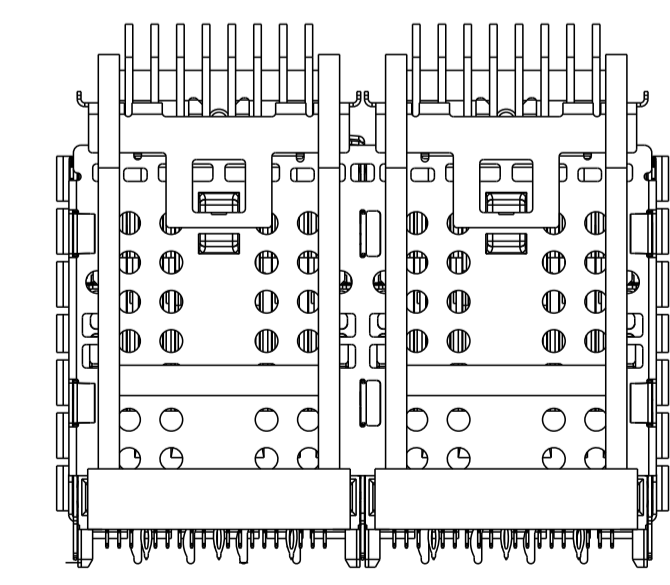
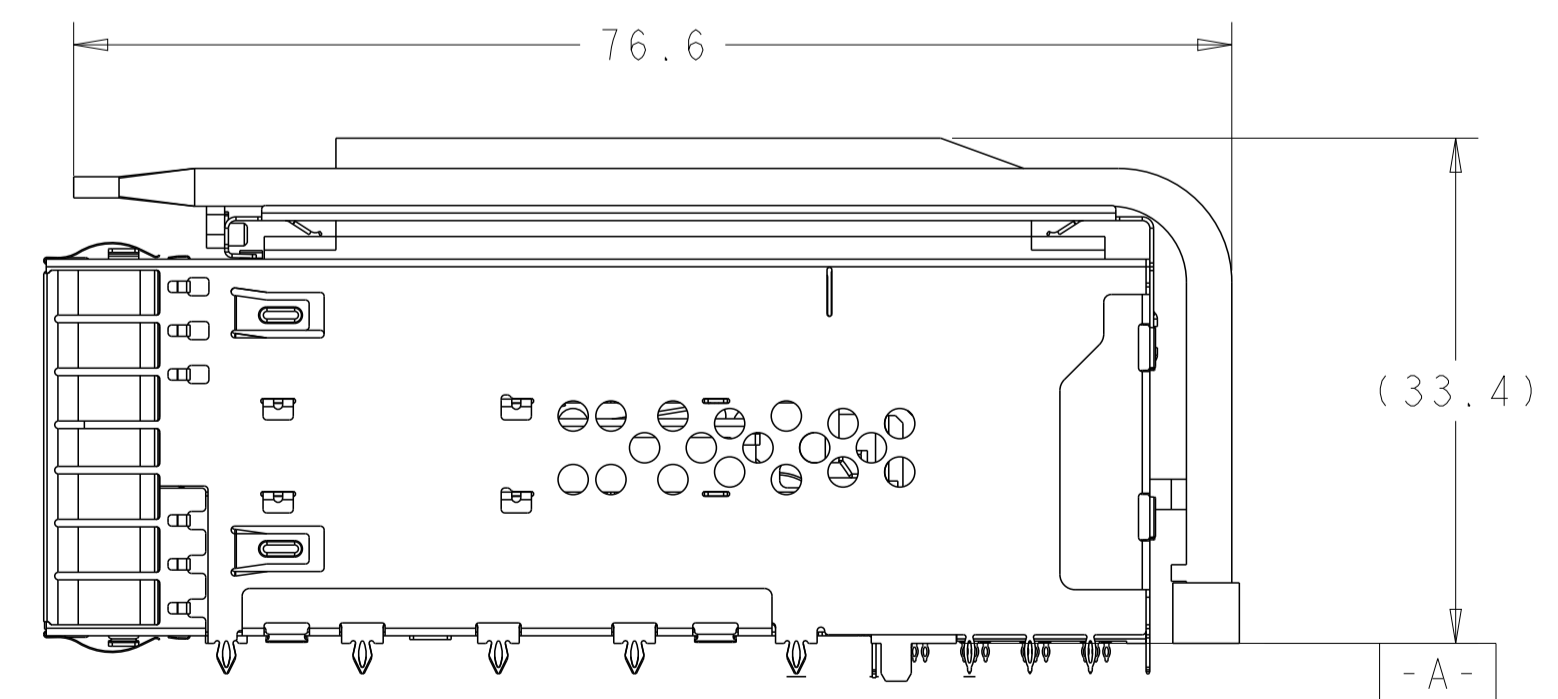
1-2299870-6
SCALE 2:1



SCALE 2:1



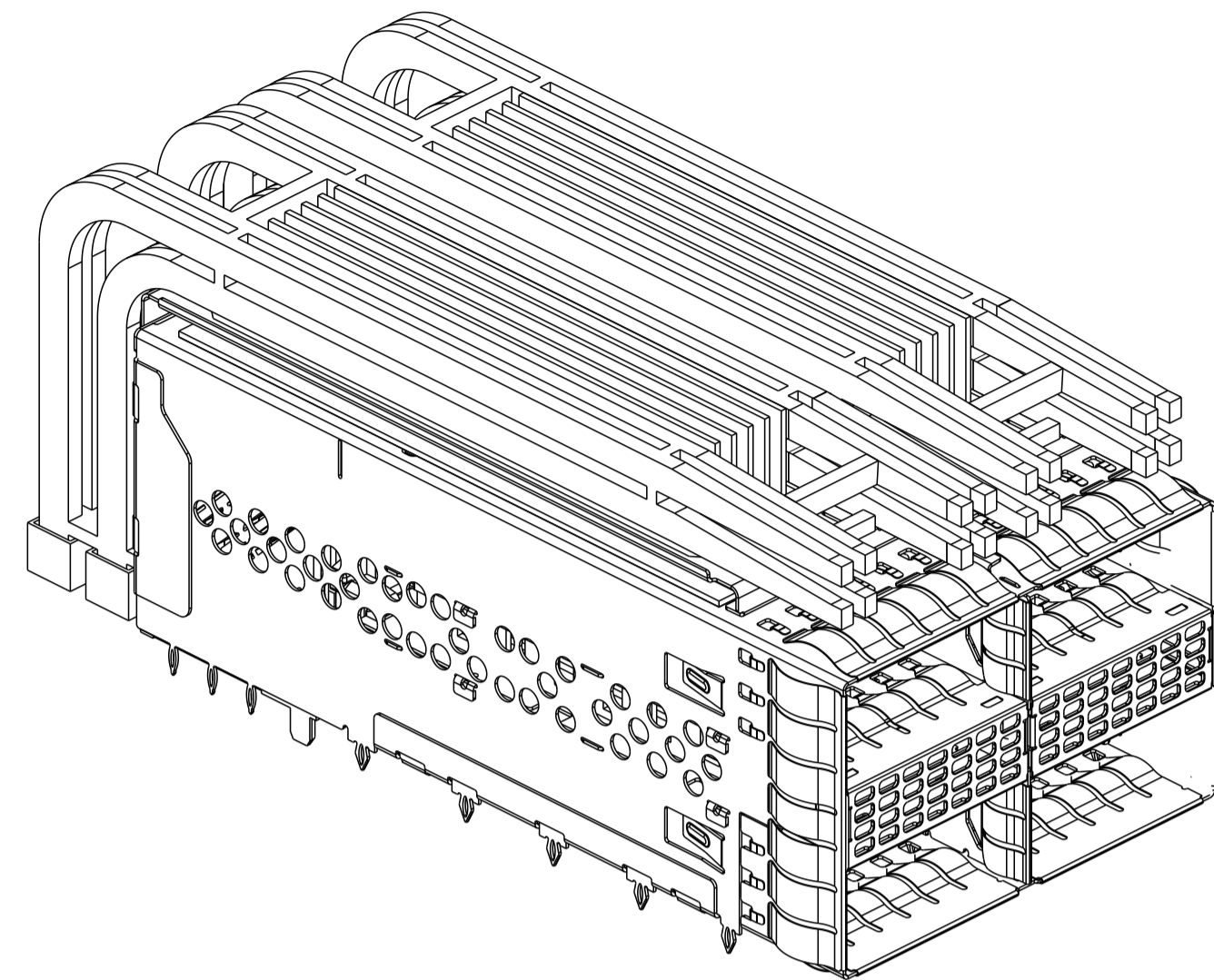
1-2299870-8
2-2299870-8
3-2299870-8
SCALE 2:1



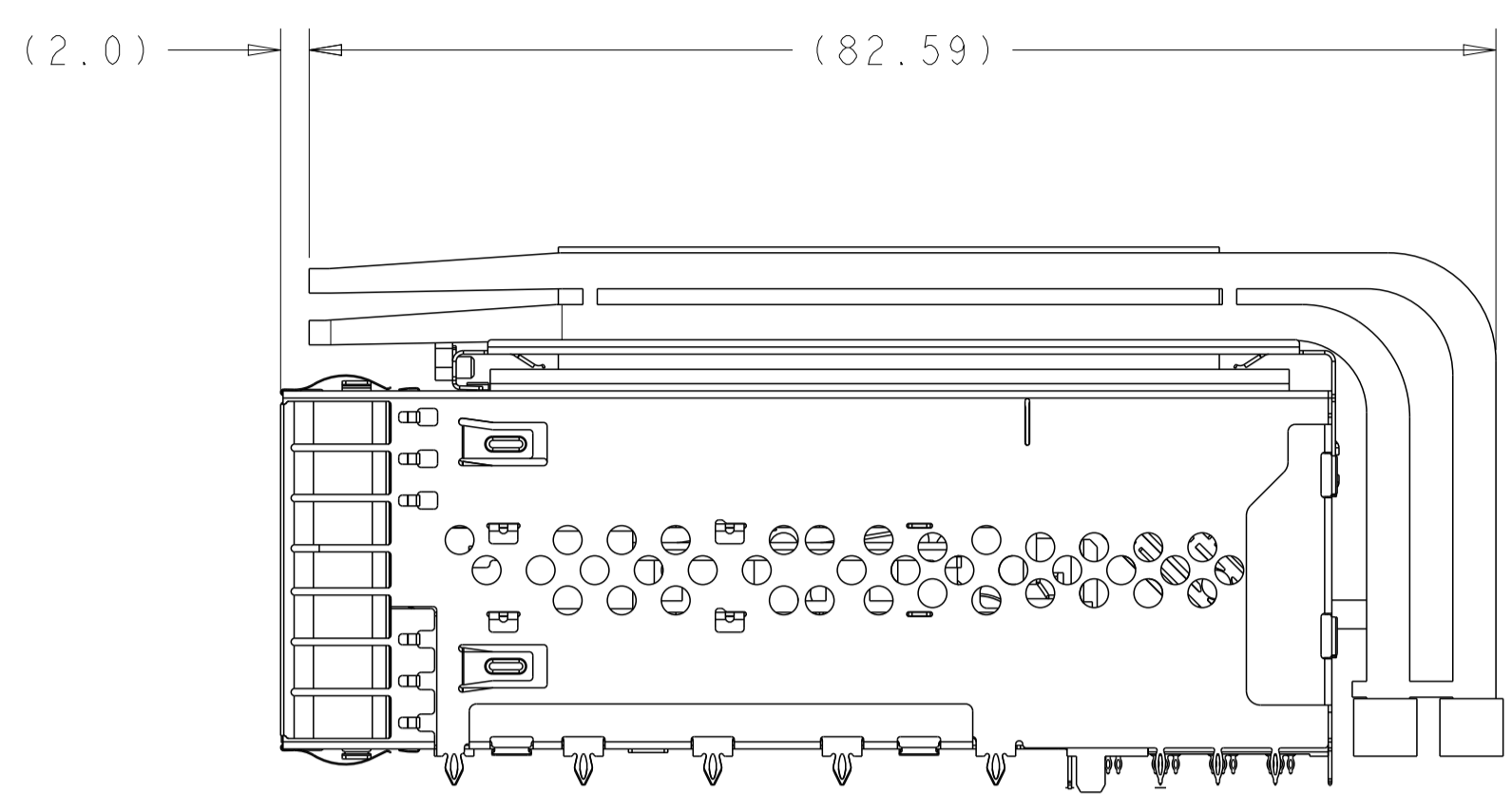
1-2299870-8
2-2299870-8
3-2299870-8
SCALE 2:1

THIS DRAWING IS A CONTROLLED DOCUMENT.		OWN	TIM XUE	28JAN2016	TE Connectivity
DIMENSIONS:		CHK	SEAN HAN	28JAN2016	
mm	0 PLC ±	APVD	SEAN HAN	28JAN2016	NAME CAGE AND CONNECTOR ASSEMBLY WITH EMI SPRING FINGERS, THRU BEZEL, 2X2 ZQSFP+ STACKED WITH HS
	1 PLC ±0.25	PRODUCT SPEC			
	2 PLC ±0.15	APPLICATION SPEC			SIZE CAGE CODE DRAWING NO RESTRICTED TO A100779C=2299870
	3 PLC ±	WEIGHT			
	4 PLC ±	CUSTOMER DRAWING			SCALE 4:1 SHEET 4 OF 15 REV J
MATERIAL	FINISH				
SEE NOTE 1	SEE NOTE 2				

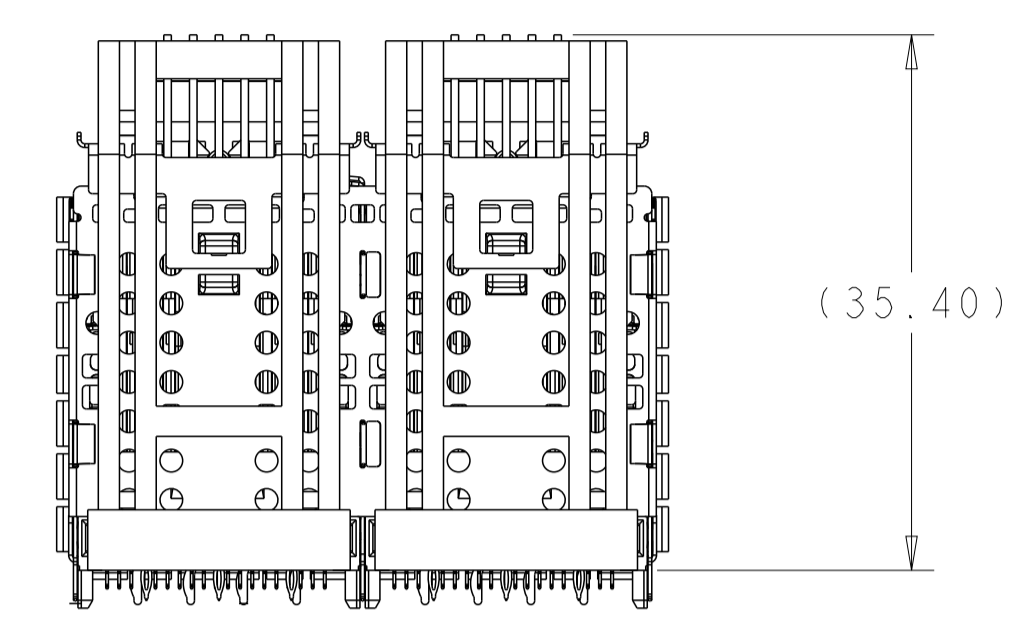
LOC	DIST	REVISIONS			
P	LYR	DESCRIPTION	DATE	OWN	APVD
GP	00	SEE SHEET 1			



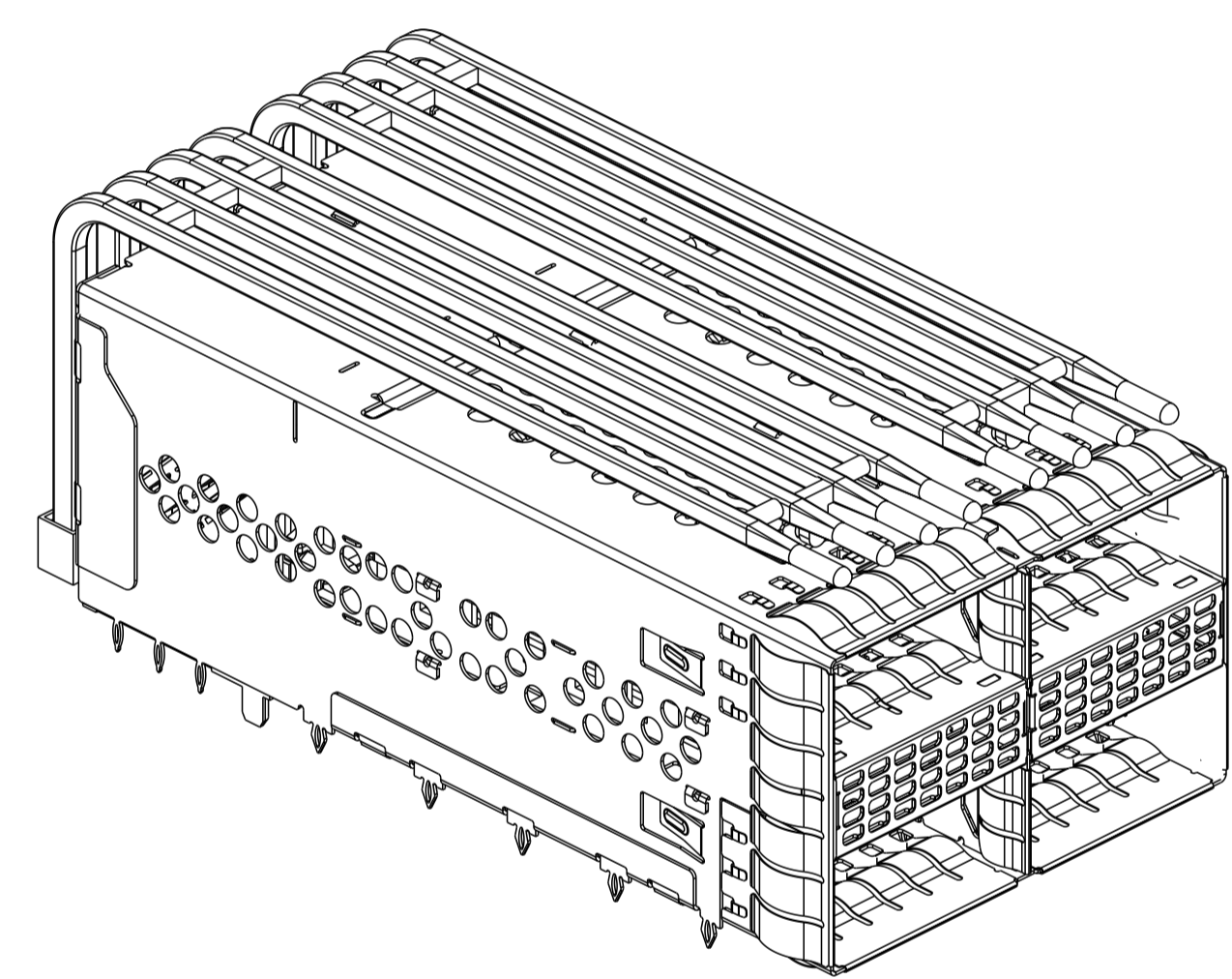
1-2299870-5
SCALE 2:1



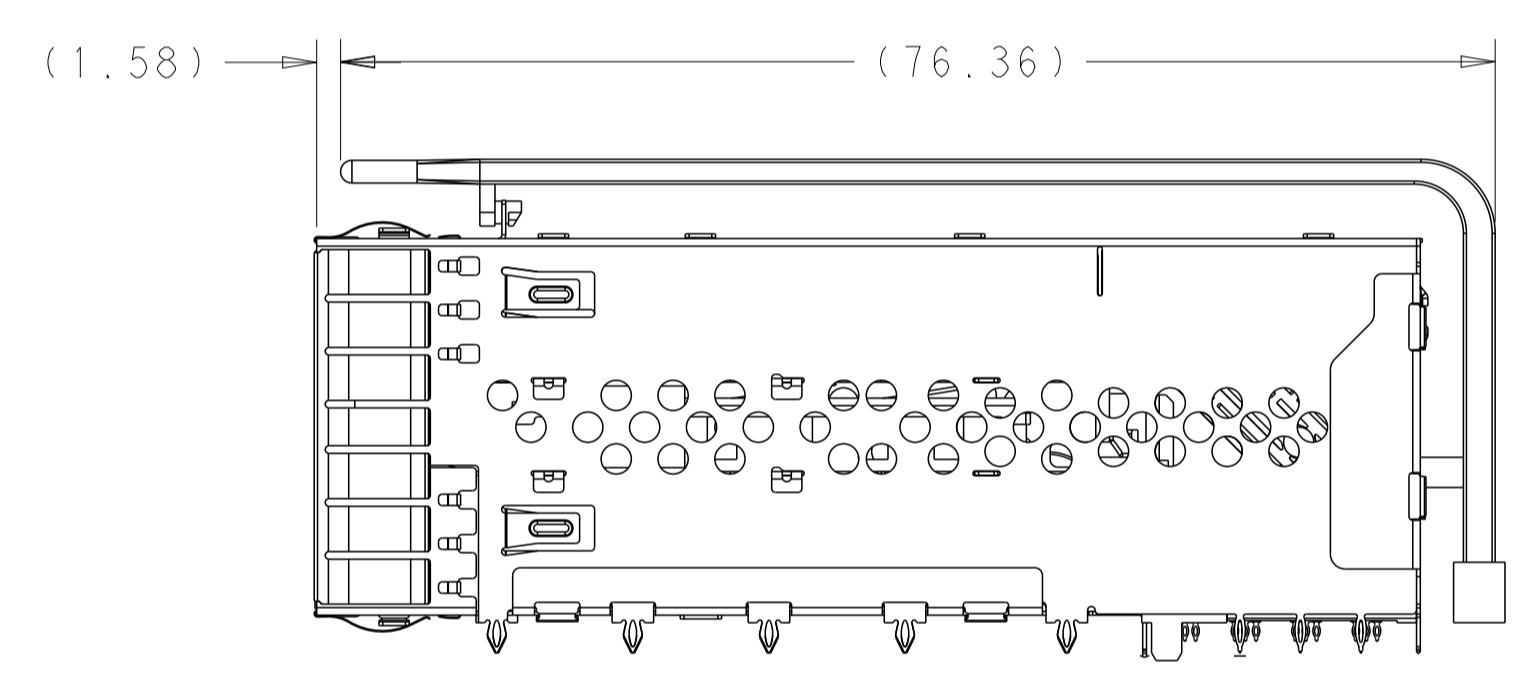
SCALE 2:1



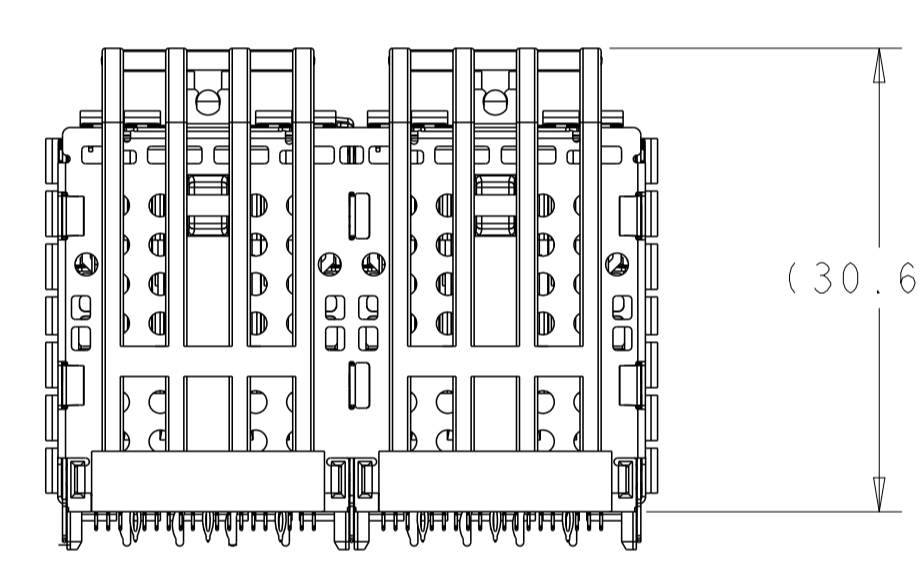
(35.40)



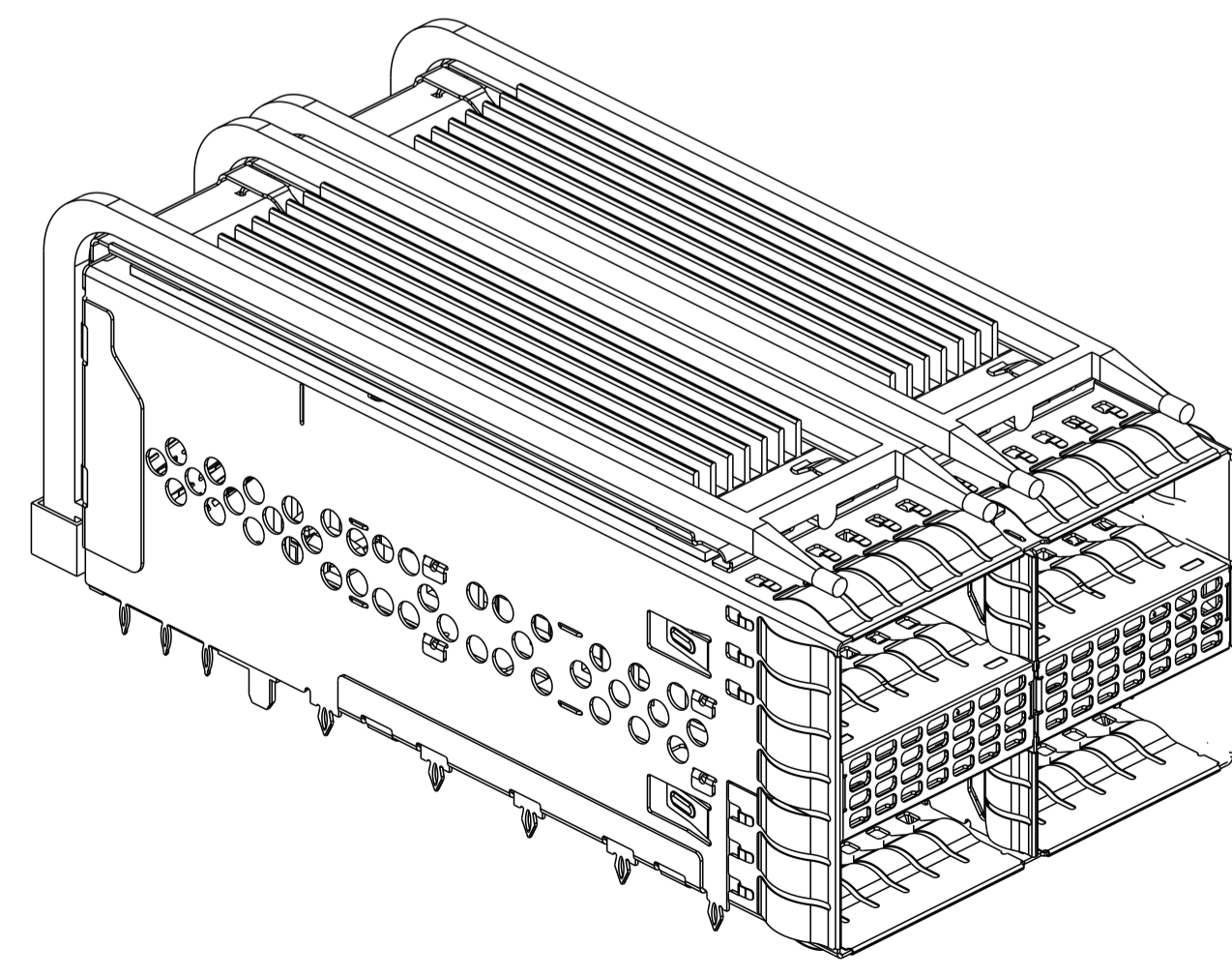
2-2299870-5
SCALE 2:1



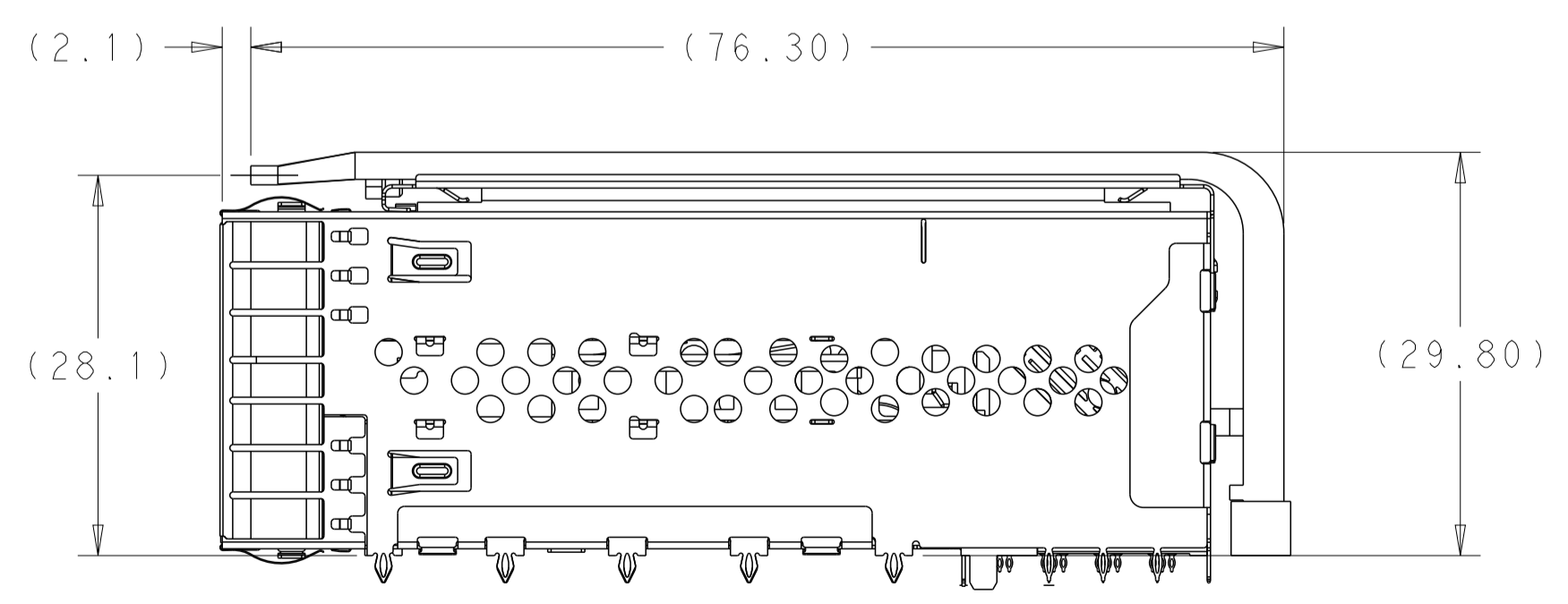
SCALE 2:1



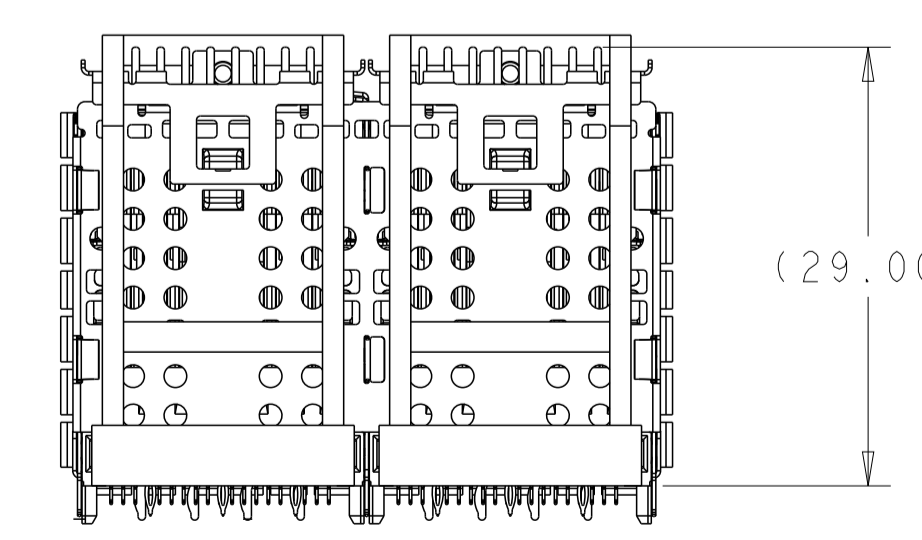
(30.64)



2-2299870-0
SCALE 2:1



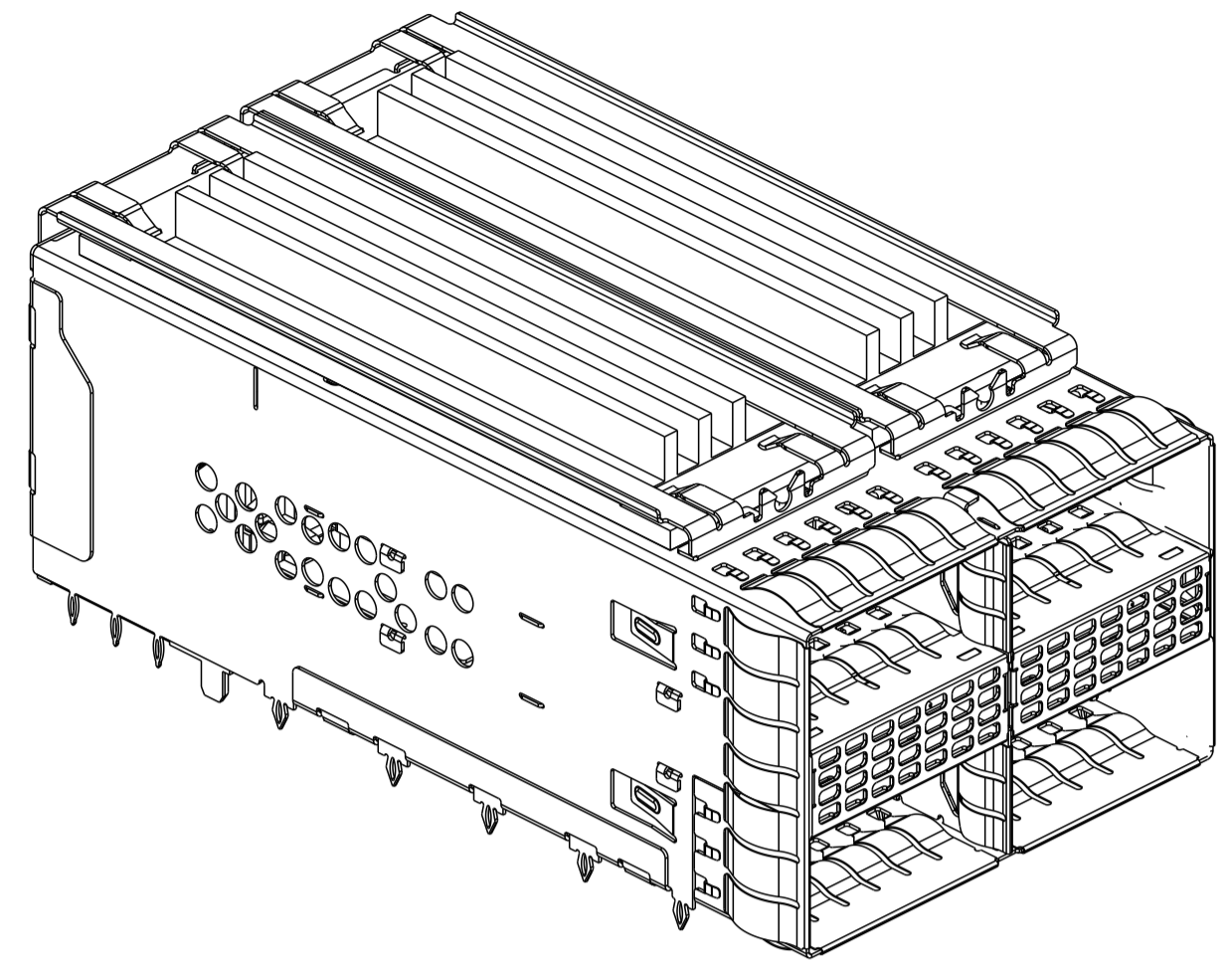
SCALE 2:1



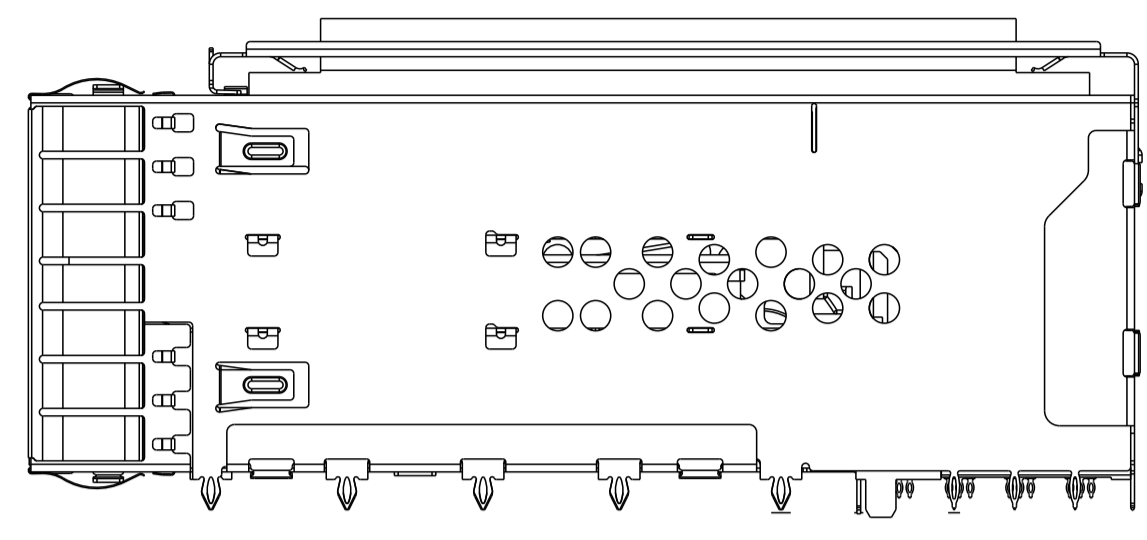
(29.00)

THIS DRAWING IS A CONTROLLED DOCUMENT.		OWN: TIM XUE 28JAN2016	TE Connectivity
DIMENSIONS:		CHK: SEAN HAN 28JAN2016	
TOLERANCES UNLESS OTHERWISE SPECIFIED:		APVD: SEAN HAN 28JAN2016	
0 PLC ± 1 PLC ±0.25 2 PLC ±0.15 3 PLC ± 4 PLC ± ANGLES ± FINISH ±		NAME: SEAN HAN 28JAN2016	
MATERIAL: SEE NOTE 1		PRODUCT SPEC: 108-60102	SIZE: A1
SEE NOTE 2		APPLICATION SPEC: 114-60015	CAGE CODE: 2299870
CUSTOMER DRAWING		WEIGHT: -	RESTRICTED TO: -
SCALE: 4:1		SHEET: 5 OF 15	REV: J

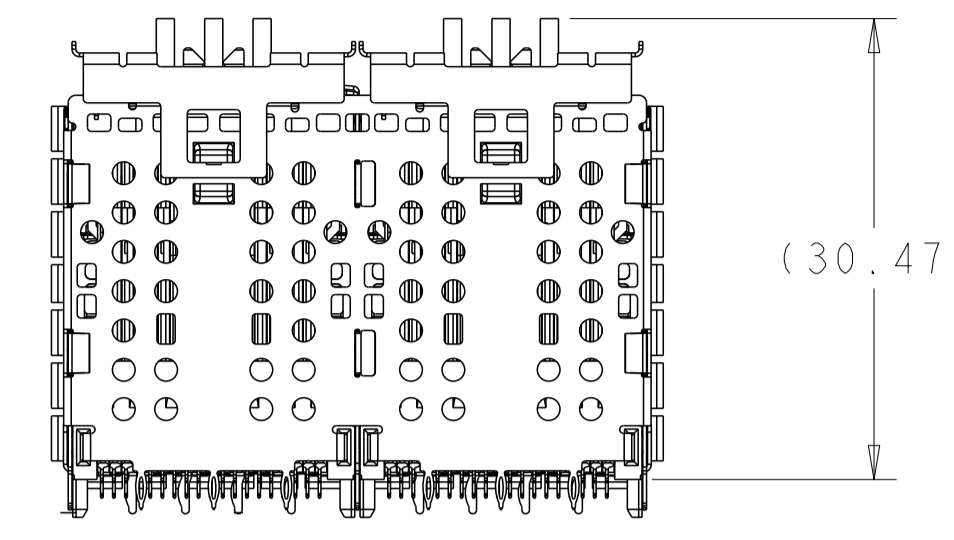
LOC		DIST		REVISIONS			
P	LYR	DESCRIPTION	DATE	OWN	APVD		
-	-	SEE SHEET 1	-	-	-		



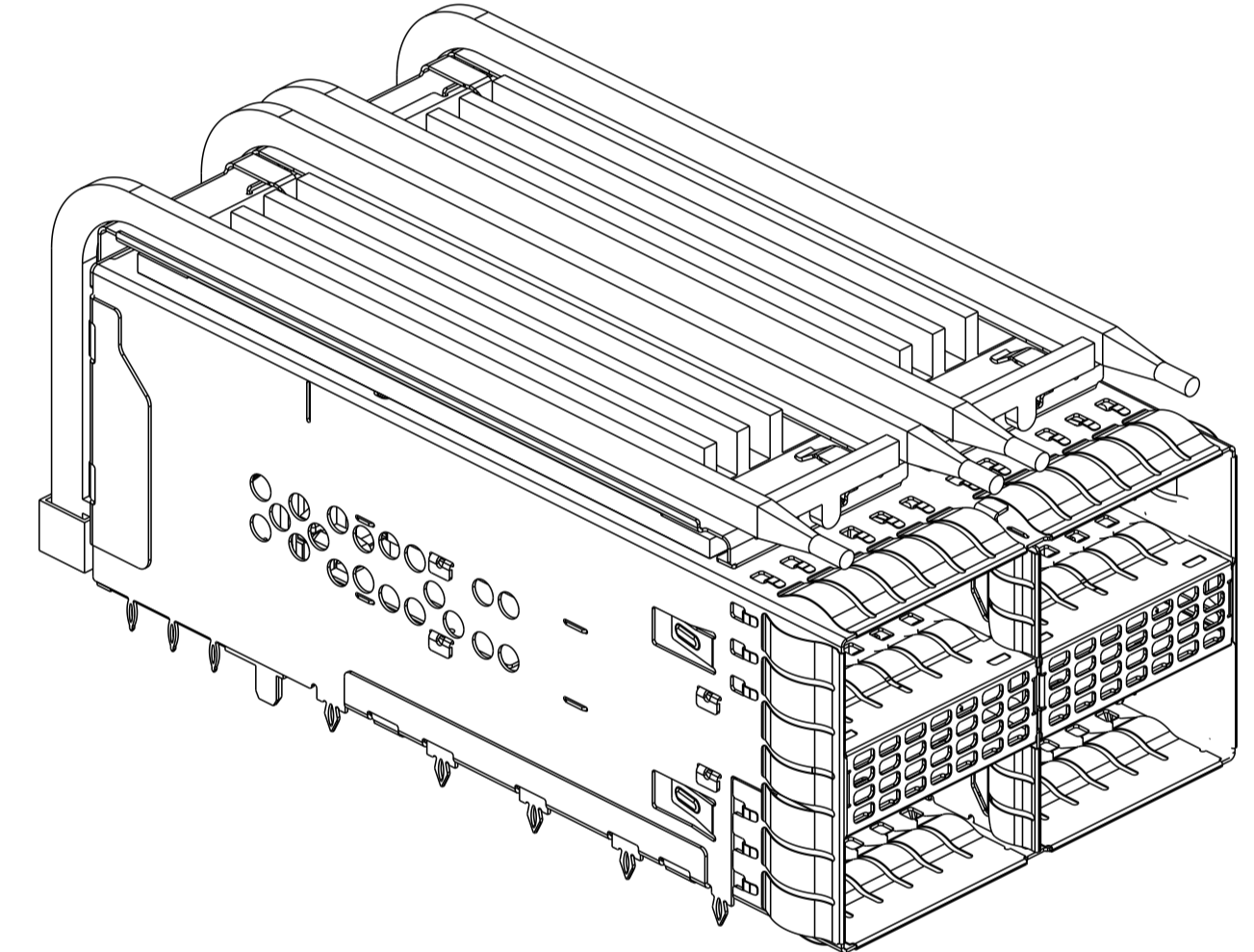
2-2299870-2
SCALE 2:1



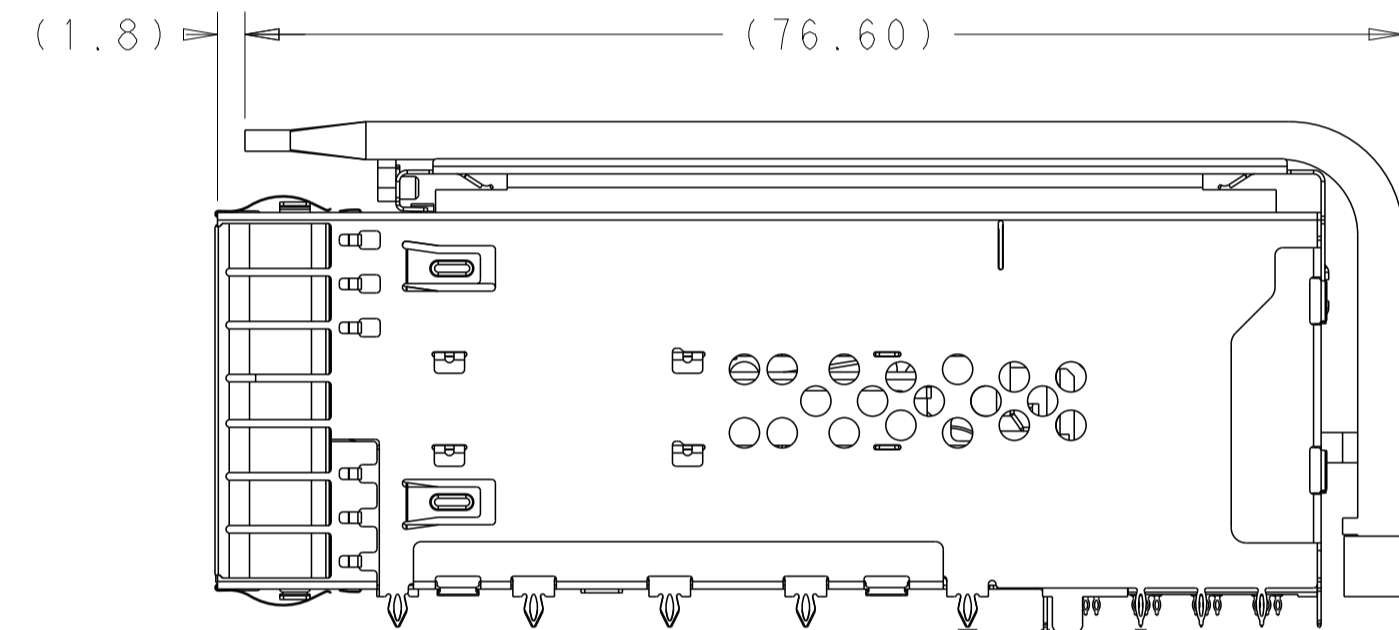
SCALE 2:1



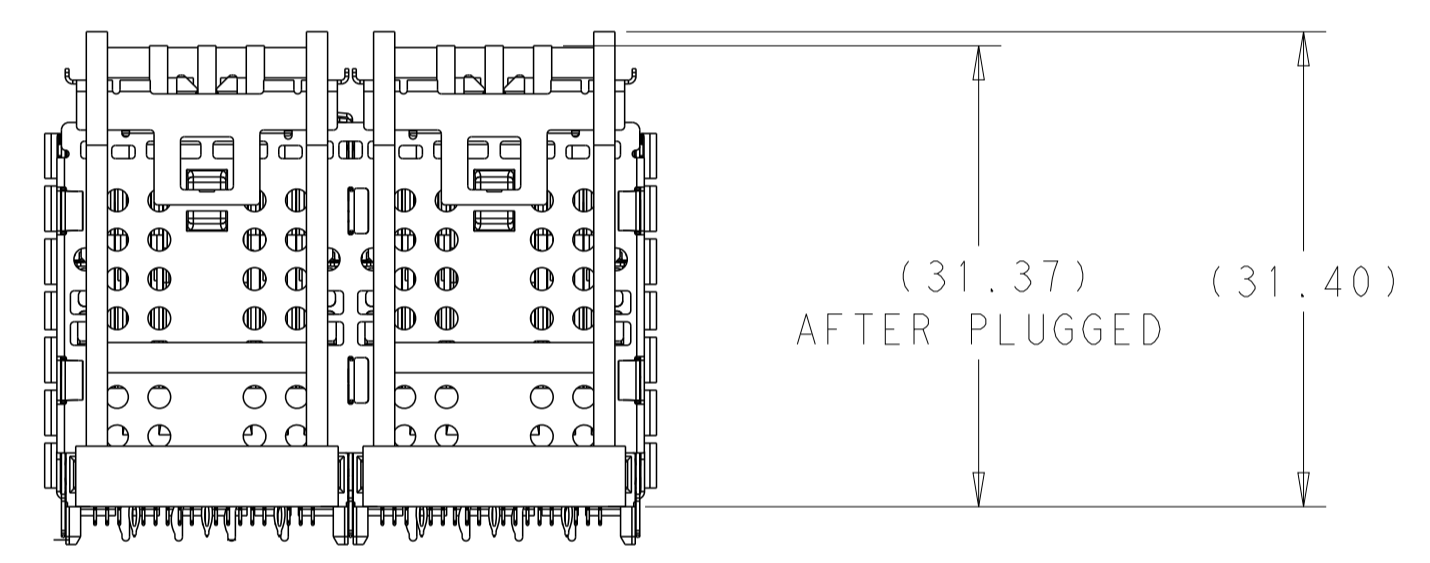
(30.47)



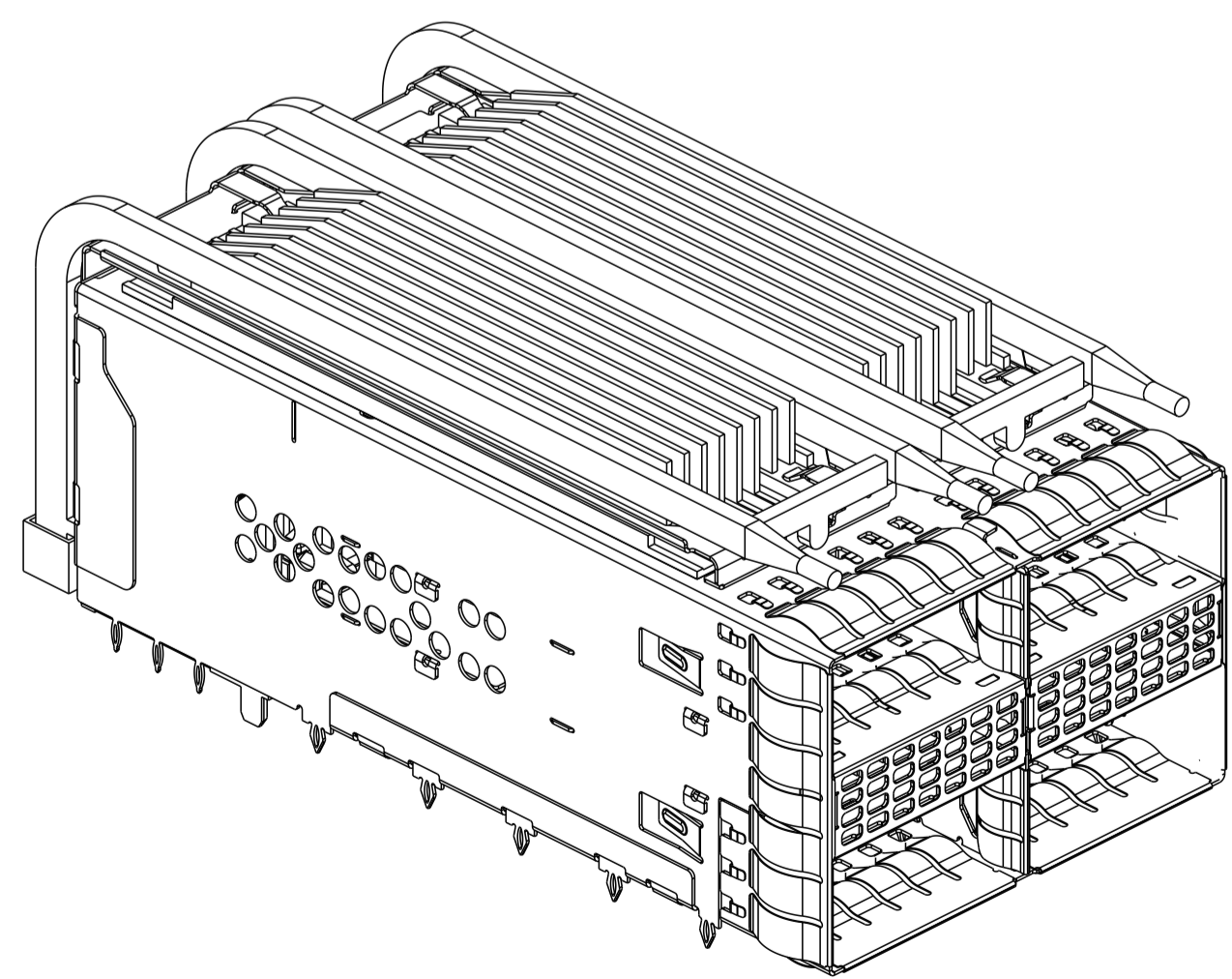
2-2299870-3
SCALE 2:1



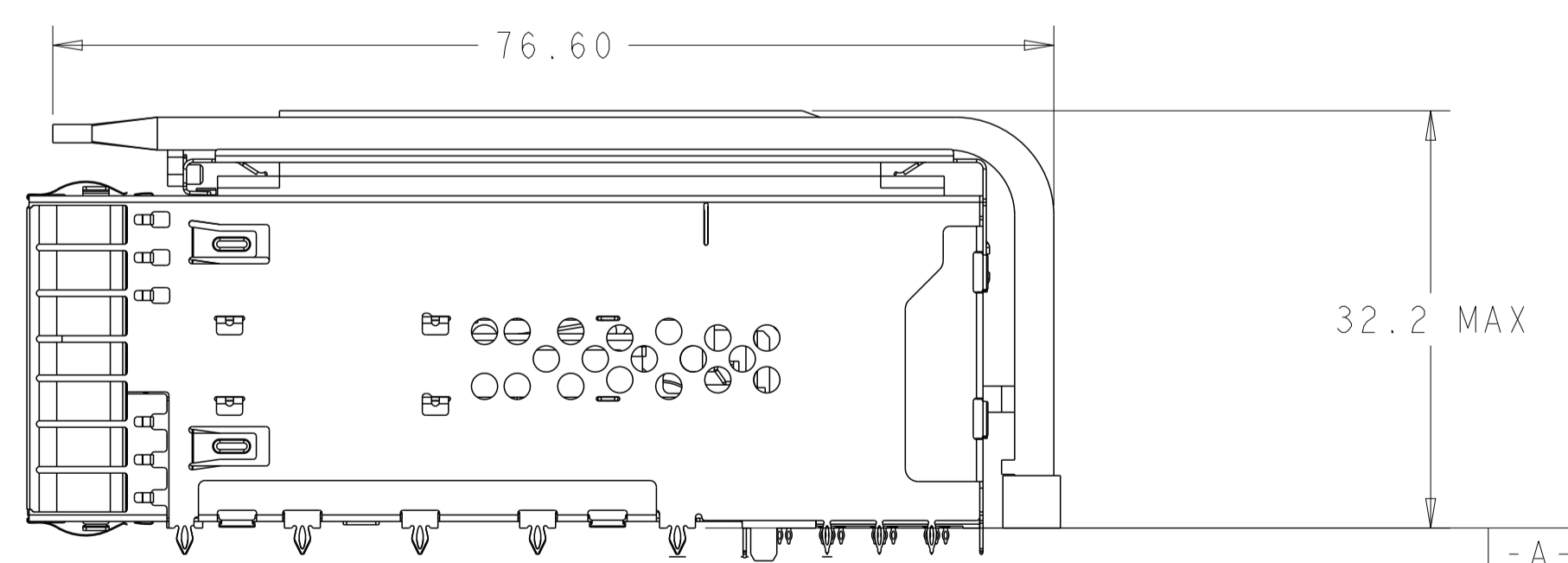
SCALE 2:1



(31.37) (31.40)
AFTER PLUGGED

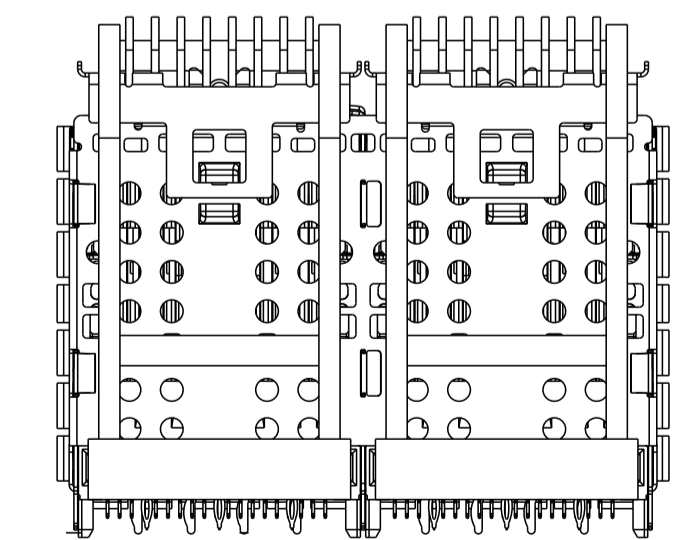


1-2299870-9
SCALE 2:1



32.2 MAX

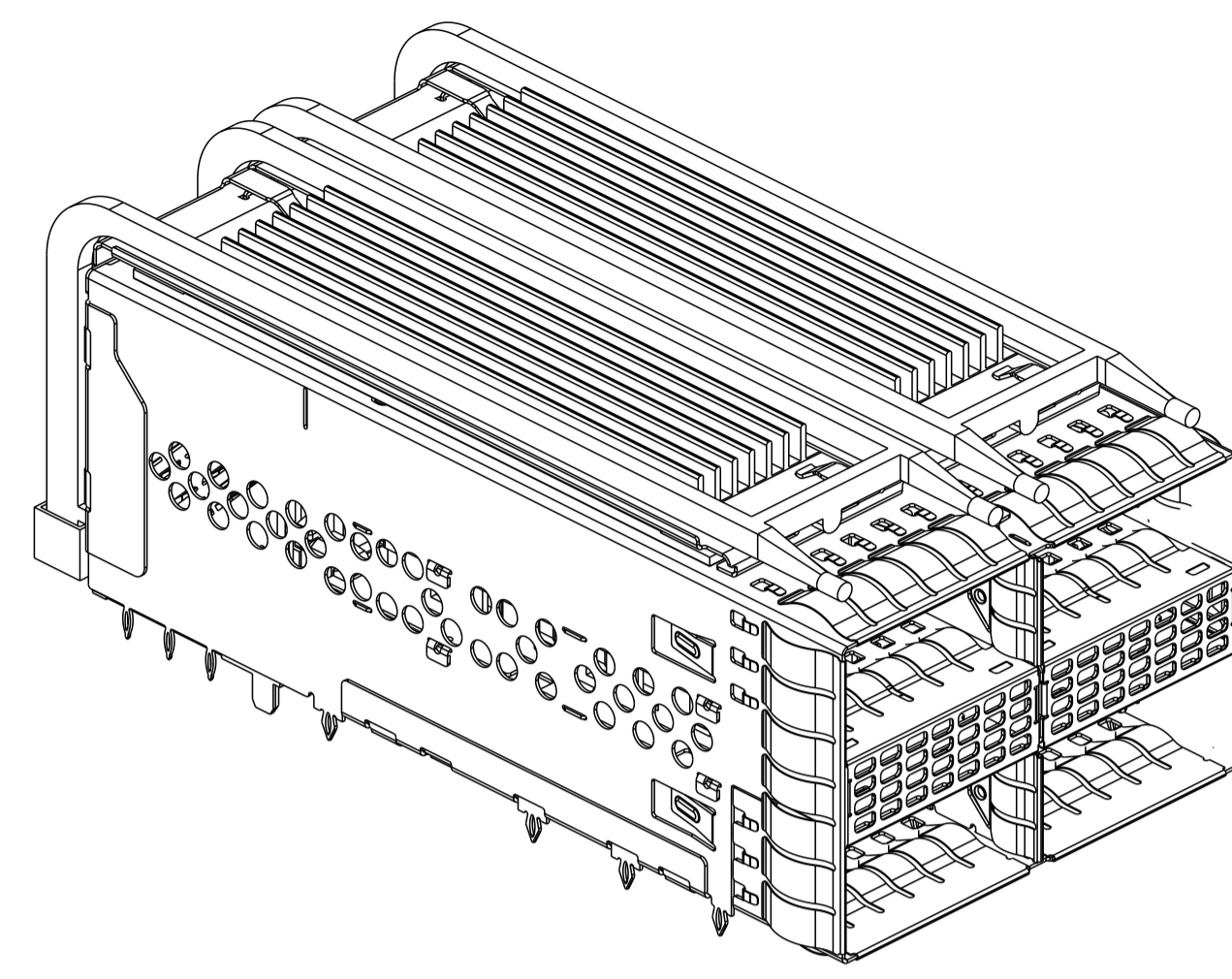
- A -



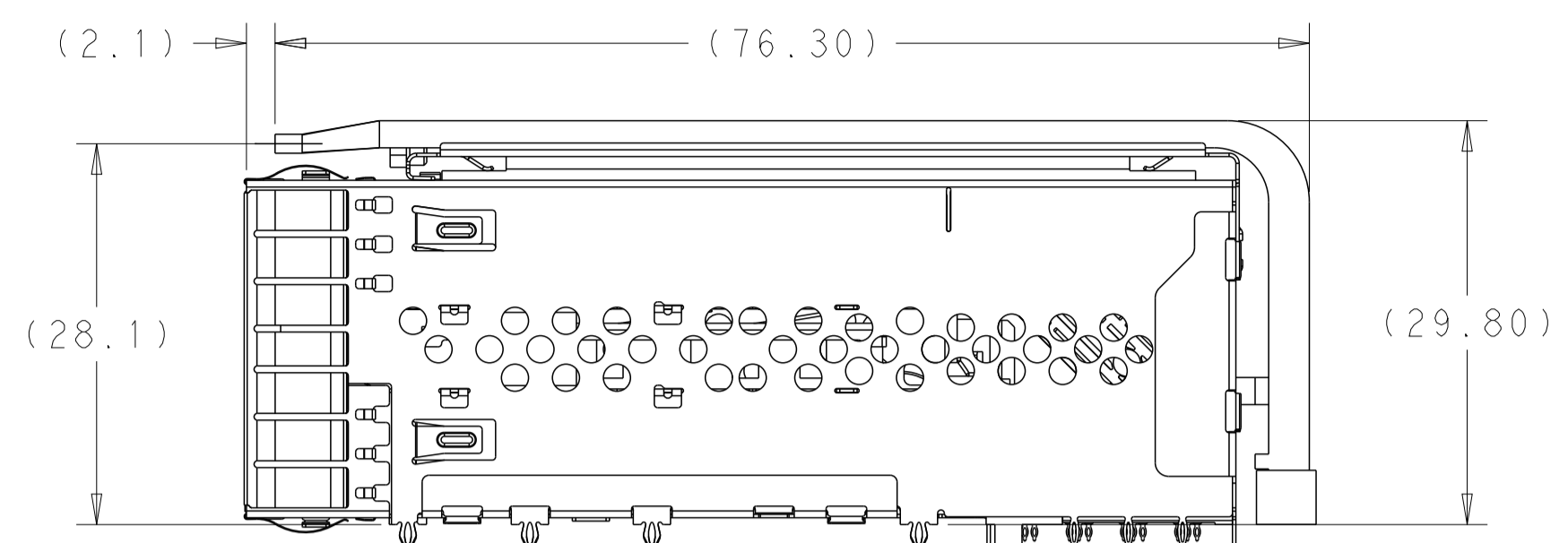
1-2299870-9
SCALE 2:1

THIS DRAWING IS A CONTROLLED DOCUMENT.		OWN TIM XUE 28JAN2016	TE Connectivity
DIMENSIONS:		CHK SEAN HAN 28JAN2016	
mm	TOLERANCES UNLESS OTHERWISE SPECIFIED:	APVD SEAN HAN 28JAN2016	NAME
0 PLC ±	1 PLC ±0.25	PRODUCT SPEC	CAGE AND CONNECTOR ASSEMBLY WITH
2 PLC ±0.15	3 PLC ±	108-60102	EMI SPRING FINGERS, THRU-BEZEL,
4 PLC ±	ANGLES ±	APPLICATION SPEC	2X2 ZQSF+ STACKED WITH HS
MATERIAL	FINISH	114-60015	SIZE
SEE NOTE 1	SEE NOTE 2	WEIGHT	CAGE CODE
		CUSTOMER DRAWING	DRAWING NO
		A100779	RESTRICTED TO
		C=2299870	SCALE
			4:1
			SHEET
			6 OF 15
			REV
			J

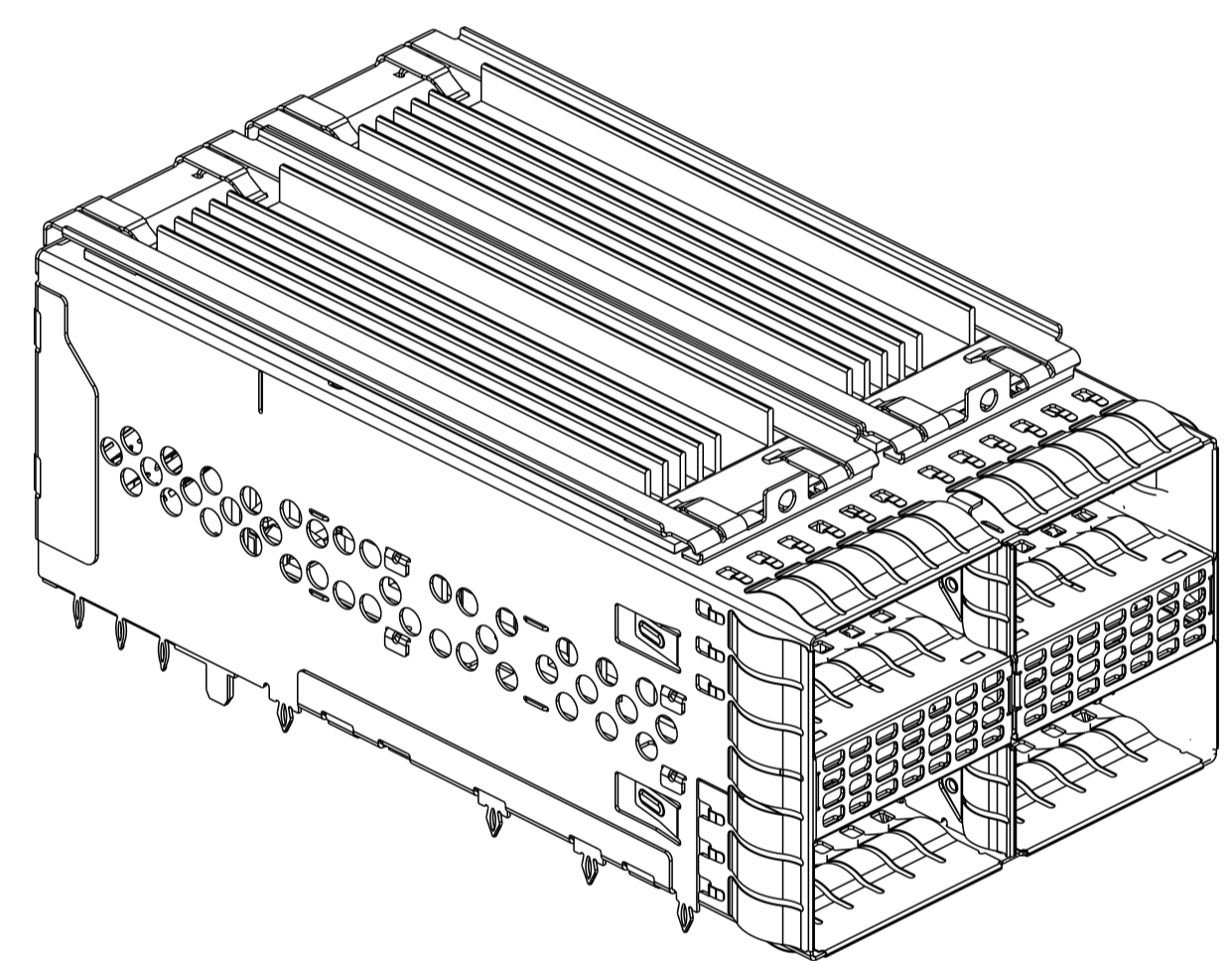
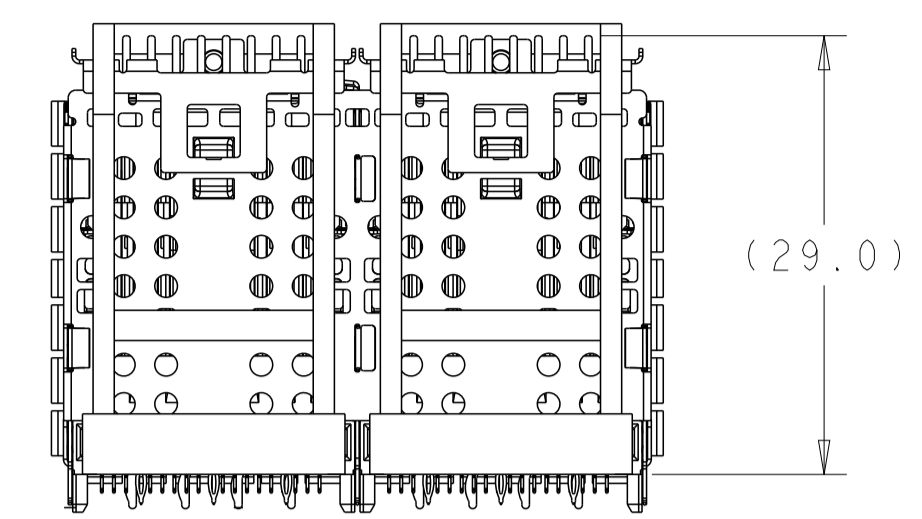
LOC		DIST		REVISIONS			
GP	00	P	LYR	DESCRIPTION	DATE	OWN	APVD
-	-	-	-	SEE SHEET 1	-	-	-



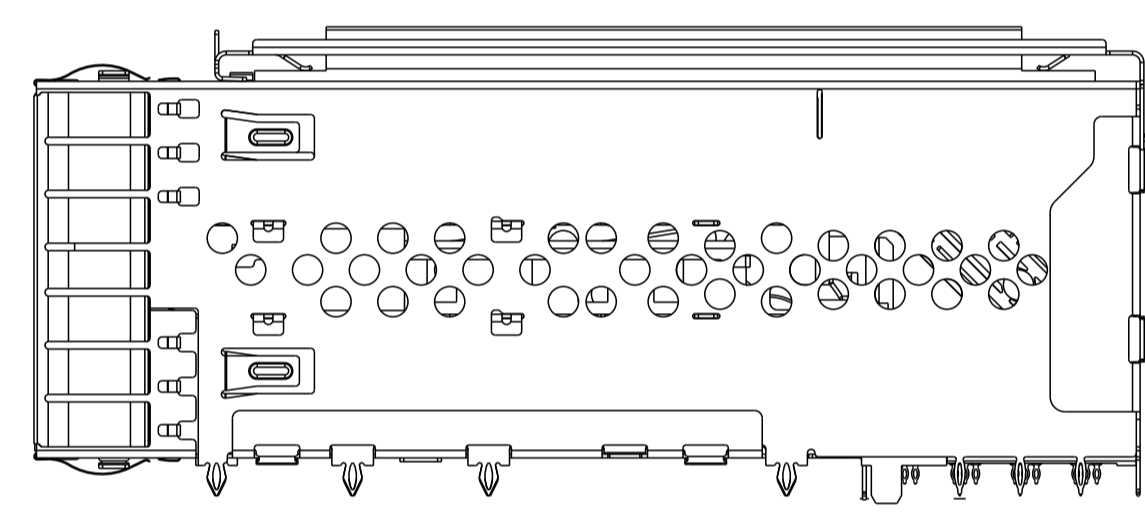
3-2299870-0
SCALE 2:1



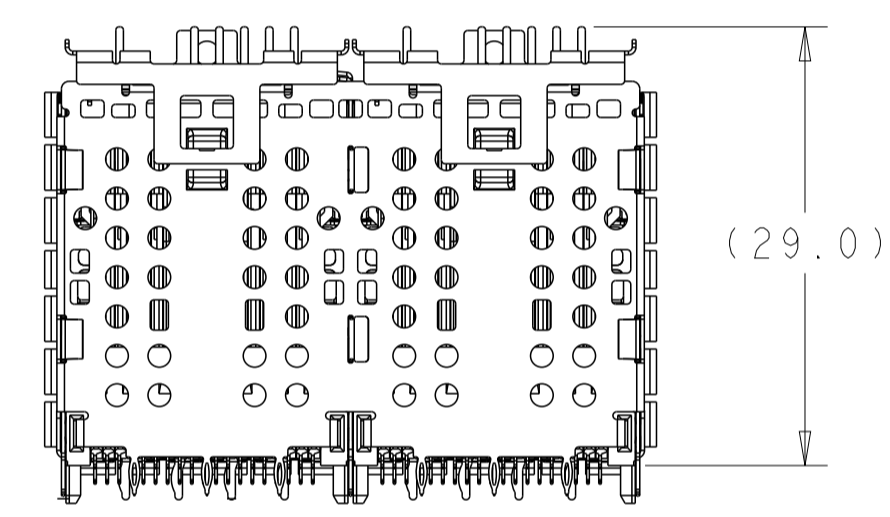
SCALE 2:1



3-2299870-1
SCALE 2:1

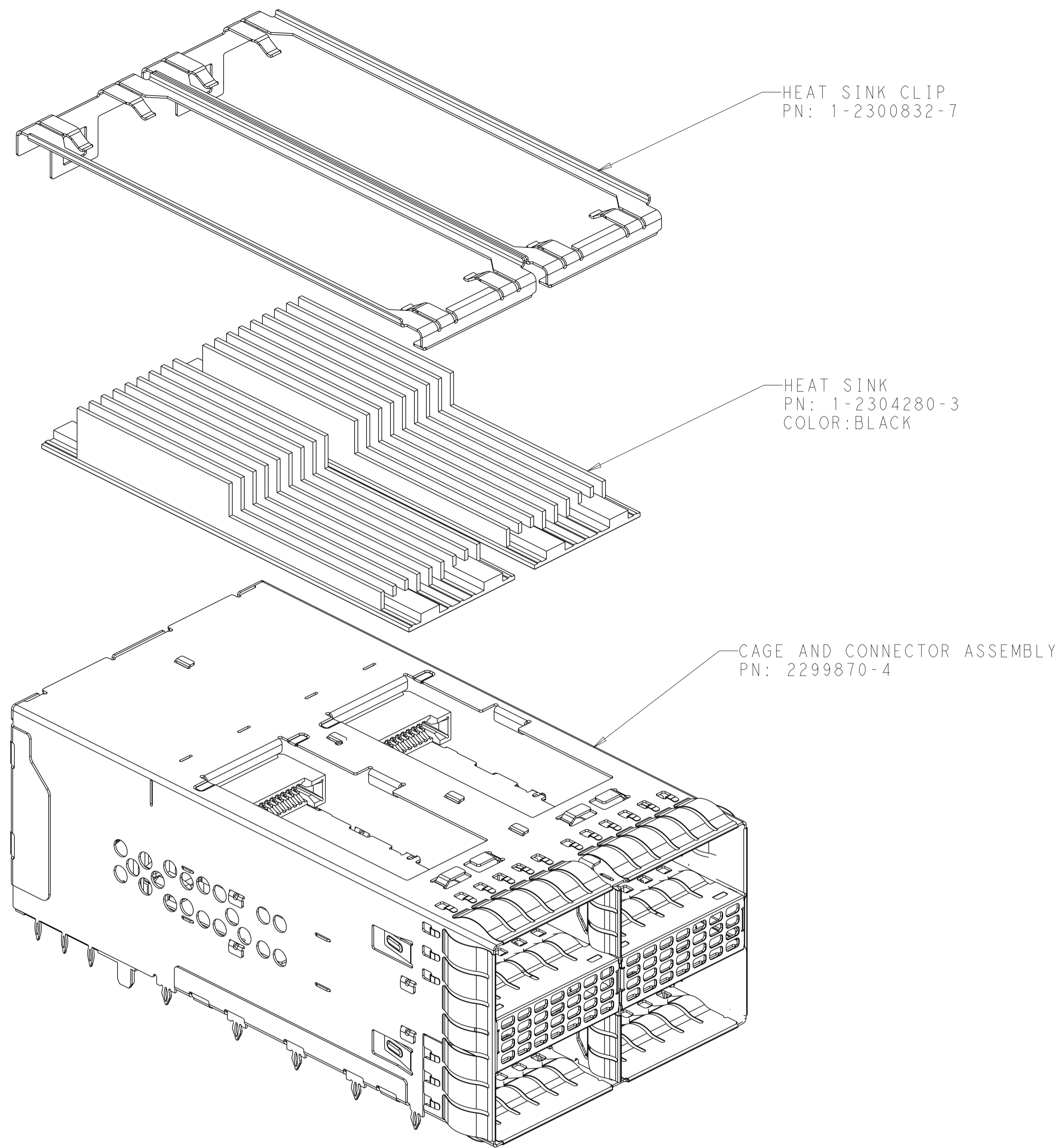


SCALE 2:1

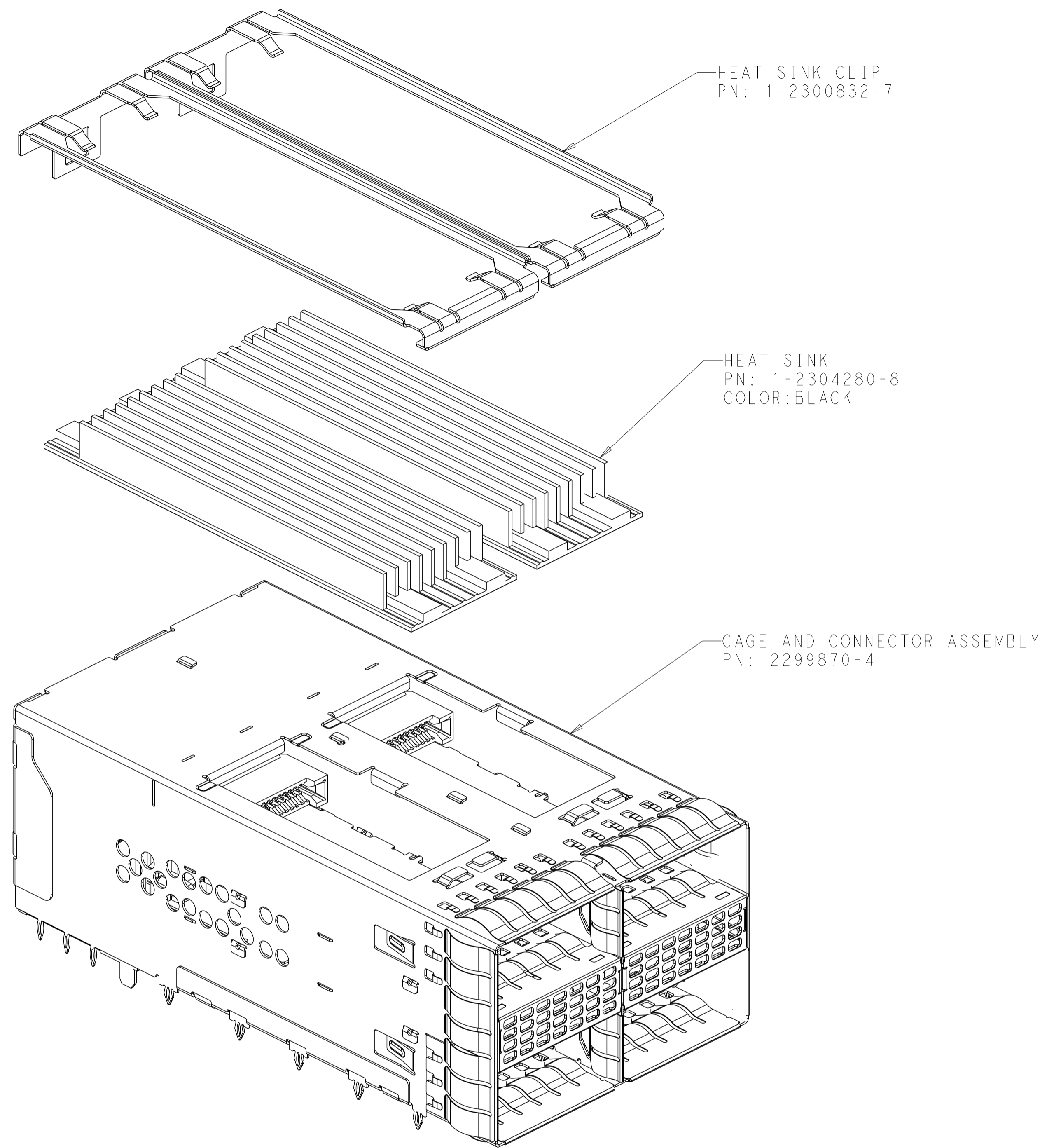


THIS DRAWING IS A CONTROLLED DOCUMENT.		OWN TIM XUE 28JAN2016	
DIMENSIONS:		CHK SEAN HAN 28JAN2016	
mm	0 PLC ± 1 PLC ±0.25 2 PLC ±0.15 3 PLC ± 4 PLC ±	APVD SEAN HAN 28JAN2016	NAME CAGE AND CONNECTOR ASSEMBLY WITH EMI SPRING FINGERS, THRU BEZEL, 2X2 ZQSFP+ STACKED WITH HS
TOLERANCES UNLESS OTHERWISE SPECIFIED:		PRODUCT SPEC 108-60102	SIZE A100779
ANGLES ±		APPLICATION SPEC 114-60015	CAGE CODE C=2299870
FINISH		RESTRICTED TO	SCALE 4:1 SHEET 7 OF 15 REV J
MATERIAL SEE NOTE 1	WEIGHT SEE NOTE 2	CUSTOMER DRAWING	

LOC	DIST	REVISIONS			
P	LYR	DESCRIPTION	DATE	DMN	APVD
-	-	SEE SHEET 1	-	-	-



2299870-3 AS SHOWN, KIT PACKAGE
 SCALE 3:1



1-2299870-3 AS SHOWN, KIT PACKAGE
 SCALE 3:1

2	2	1-2300832-7	HEAT SINK CLIP	3
2	-	1-2304280-8	HEAT SINK	2
-	2	1-2304280-3		
1	1	2299870-4	CAGE AND CONNECTOR ASSEMBLY	1
1-2299870-3	2299870-3	PART NUMBER	DESCRIPTION	ITEM

THIS DRAWING IS A CONTROLLED DOCUMENT.

DIMENSIONS:	TOLERANCES UNLESS OTHERWISE SPECIFIED:	DMN TIM XUE 28JAN2016	CHK SEAN HAN 28JAN2016	APVD SEAN HAN 28JAN2016	NAME SEAN HAN 28JAN2016
mm	0 PLC ± 1 PLC ±0.25 2 PLC ±0.15 3 PLC ± 4 PLC ± ANGLES ±	PRODUCT SPEC 108-60102	APPLICATION SPEC 114-60015	WEIGHT -	RESTRICTED TO -
MATERIAL SEE NOTE 1	FINISH SEE NOTE 2	CUSTOMER DRAWING		SCALE 4:1	SHEET 8 OF 15

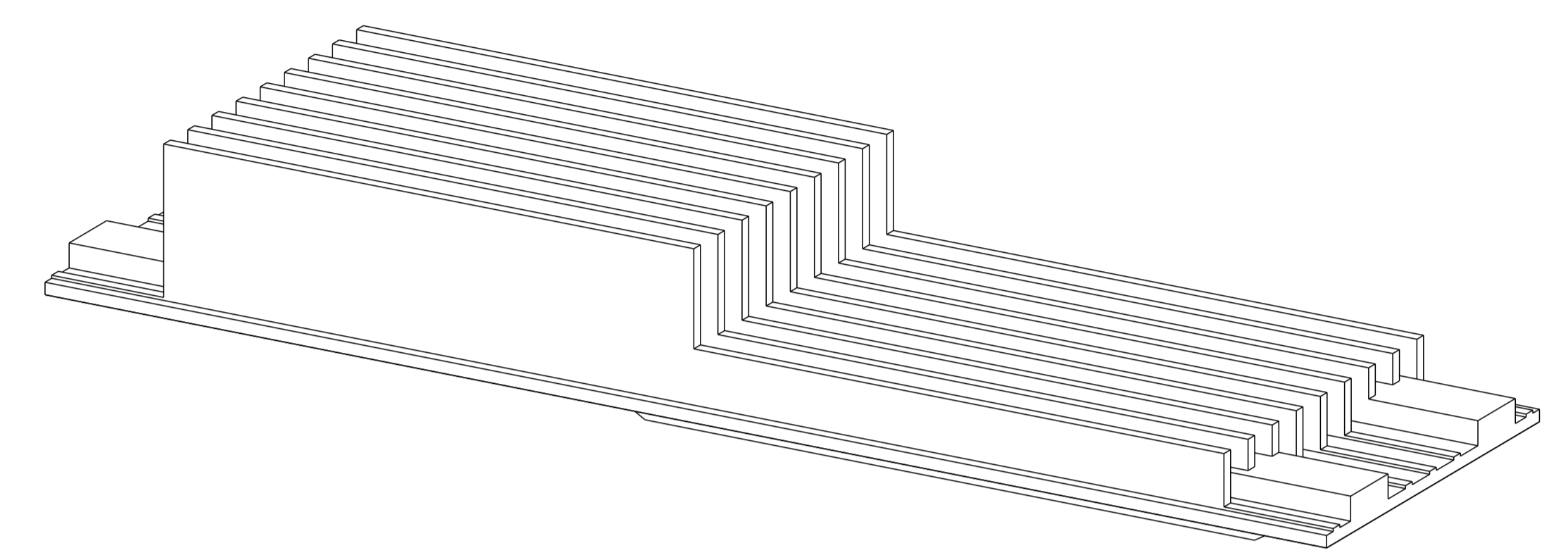
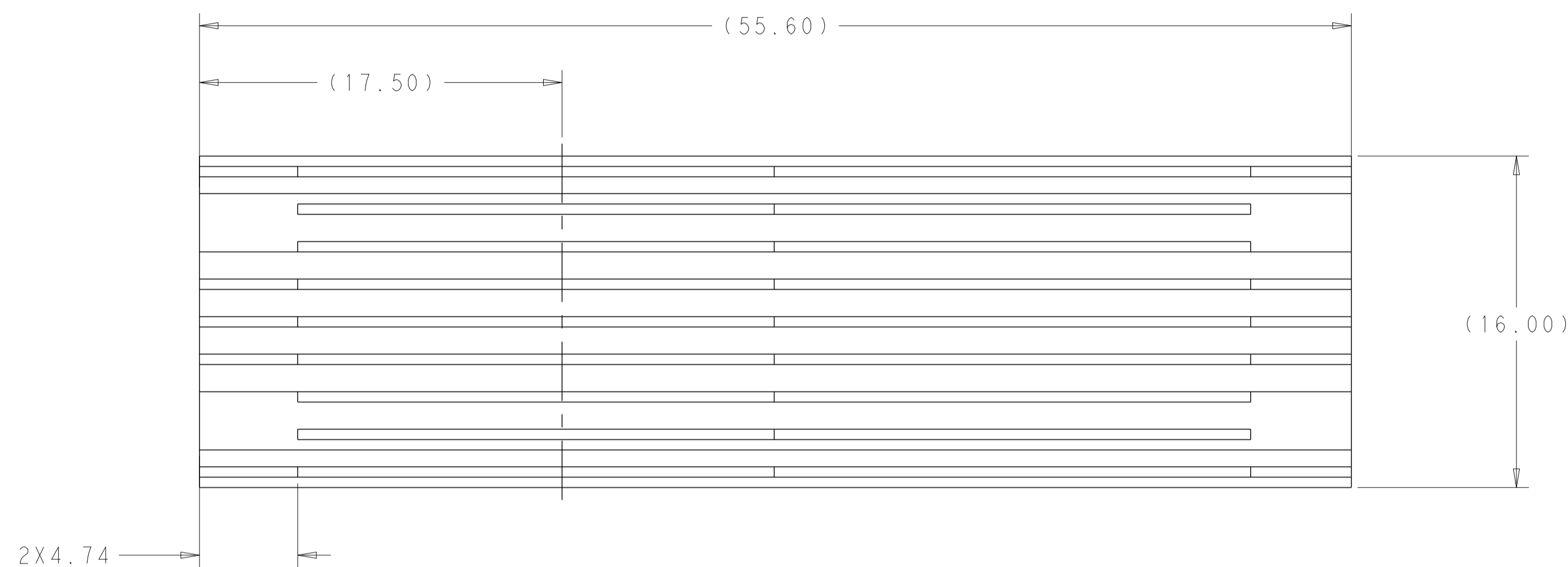
STE TE Connectivity

CAGE AND CONNECTOR ASSEMBLY WITH EMI SPRING FINGERS, THRU BEZEL, 2X2 ZQSFP+ STACKED WITH HS

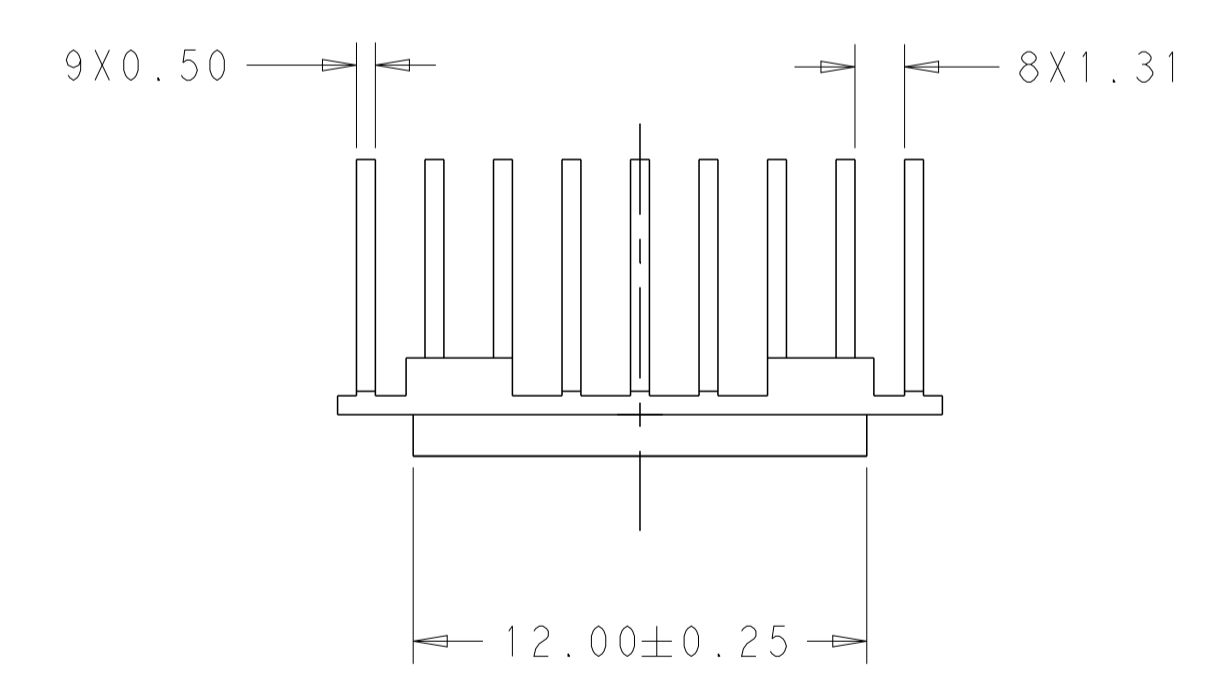
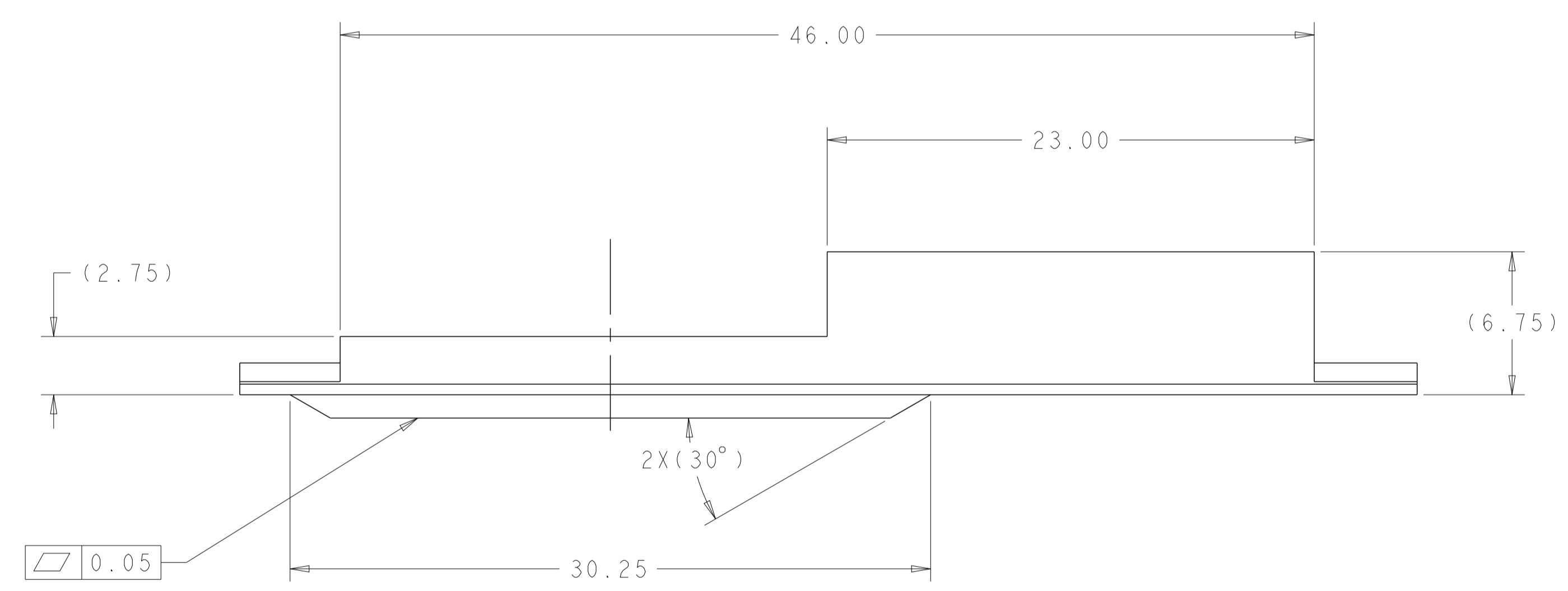
SIZE CAGE CODE DRAWING NO
A100779C=2299870

REV J

LOC	DIST	REVISIONS			
P	LTN	DESCRIPTION	DATE	DMN	APVD
-	-	SEE SHEET 1	-	-	-

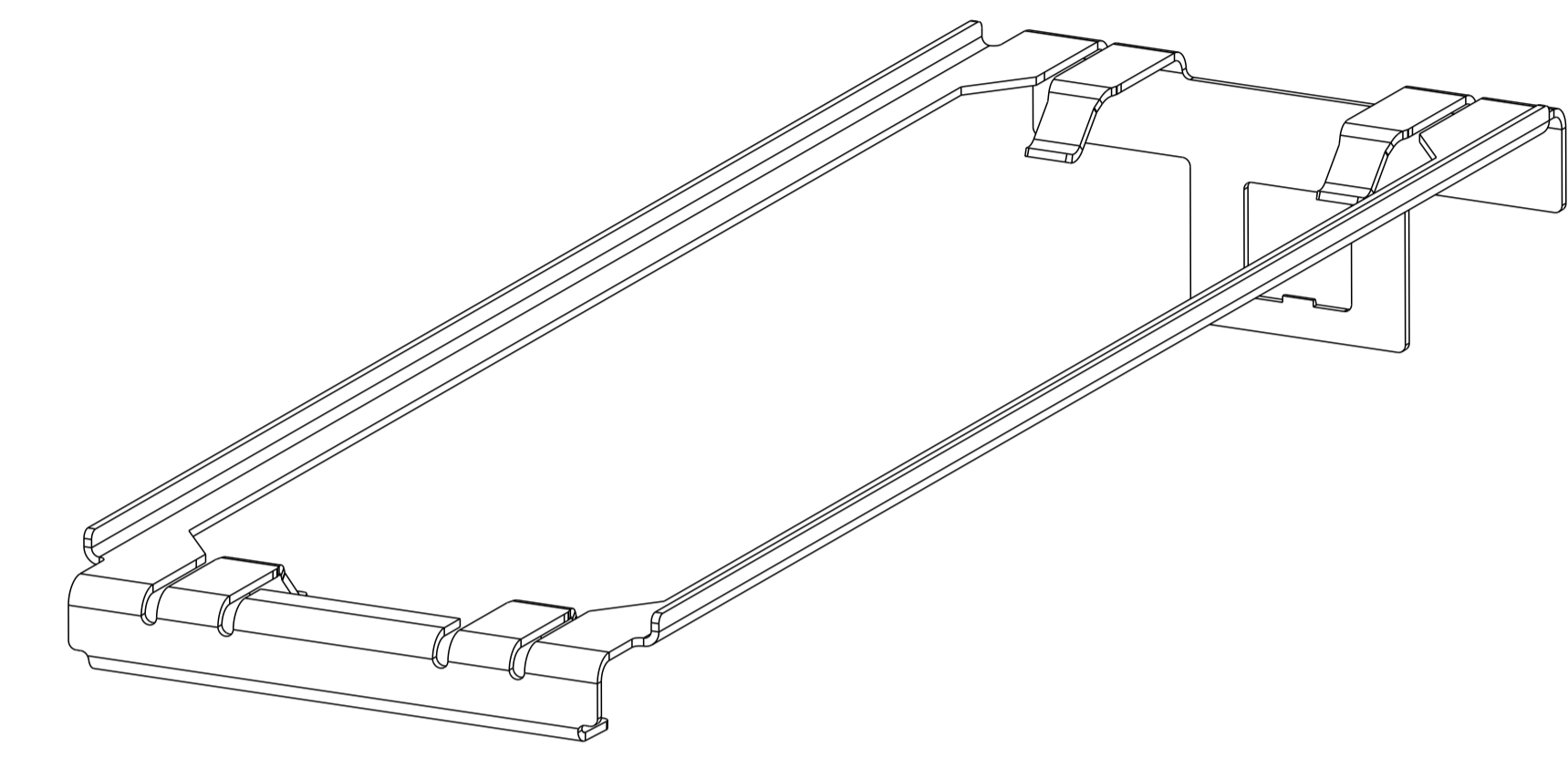


1-2304280-3 HEAT SINK SHOWN
 (THE COLOR IS BLACK)
 SCALE 5:1

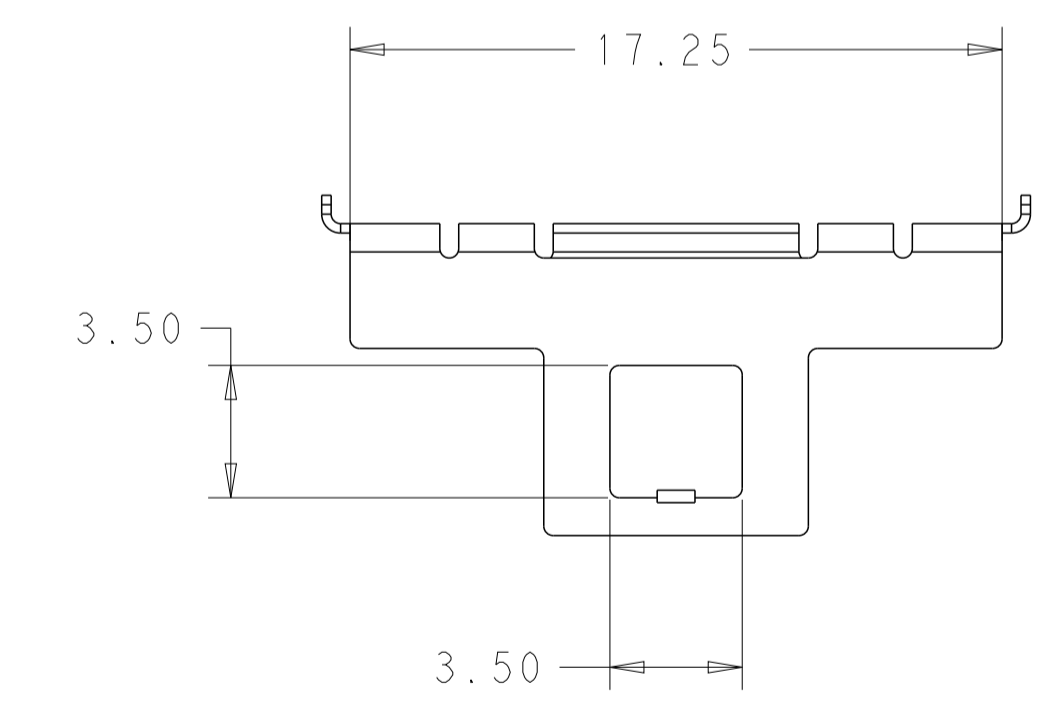
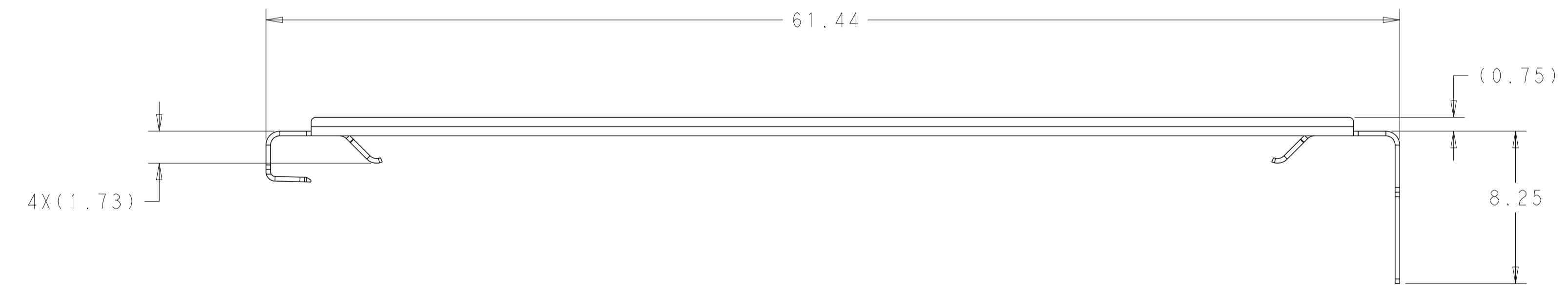


THIS DRAWING IS A CONTROLLED DOCUMENT.		DMN TIM XUE 28JAN2016	TE Connectivity
DIMENSIONS: mm		CHK SEAN HAN 28JAN2016	
TOLERANCES UNLESS OTHERWISE SPECIFIED:		APVD SEAN HAN 28JAN2016	NAME CAGE AND CONNECTOR ASSEMBLY WITH EMI SPRING FINGERS, THRU BEZEL, 2X2 ZQSFP+ STACKED WITH HS
0 PLC ±	1 PLC ±0.25	PRODUCT SPEC	SIZE A100779
2 PLC ±0.15	3 PLC ±	APPLICATION SPEC	CAGE CODE C=2299870
4 PLC ±	ANGLES ±	114-60015	RESTRICTED TO
MATERIAL SEE NOTE 1	FINISH SEE NOTE 2	WEIGHT -	SCALE 4:1
CUSTOMER DRAWING		DATE 28JAN2016	SHEET 9 OF 15

LOC	DIST	REVISIONS			
P	LTN	DESCRIPTION	DATE	DMN	APVD
-	-	SEE SHEET 1	-	-	-

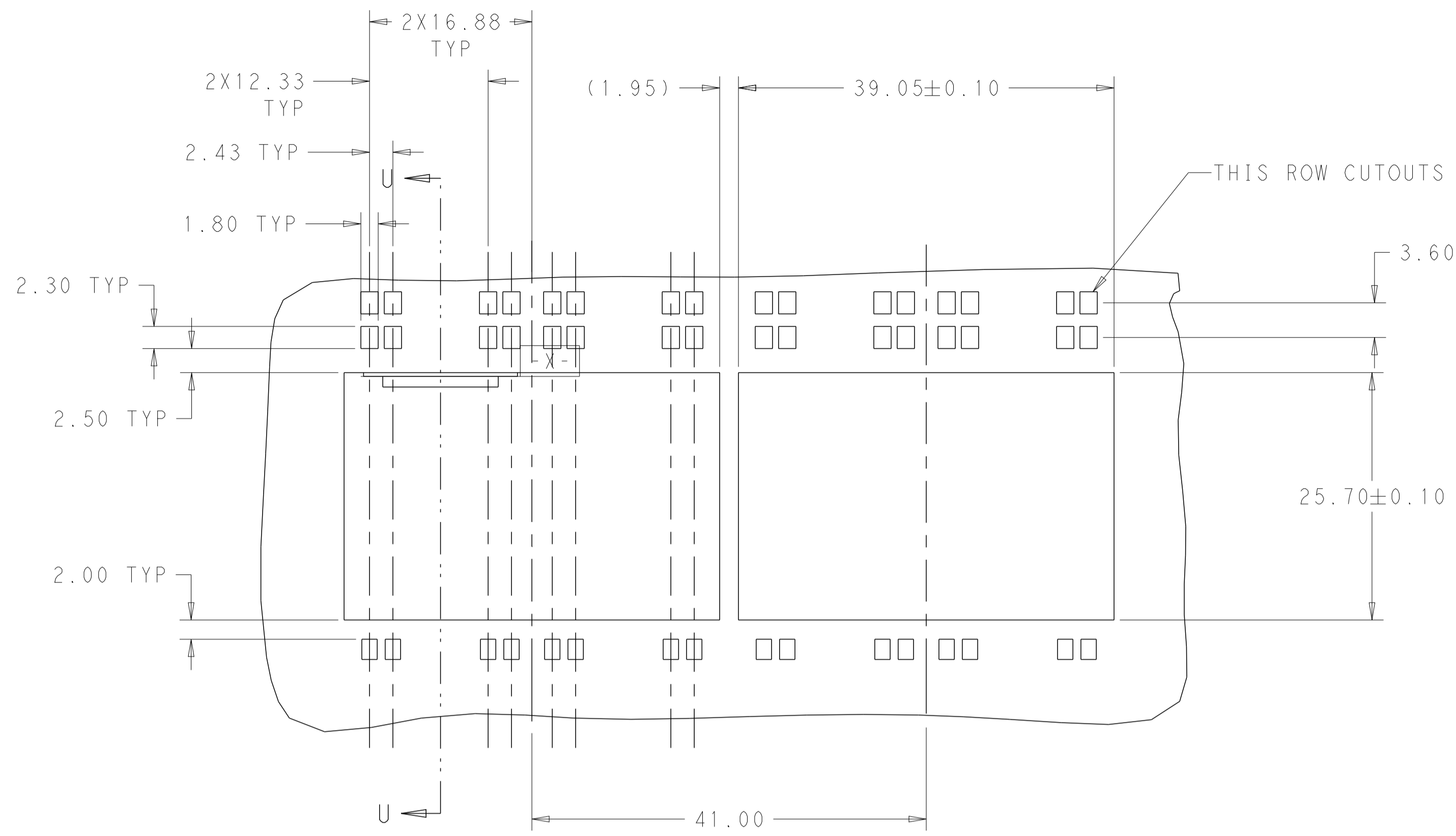


1-2300832-7, HEAT SINK CLIP
SCALE 5:1

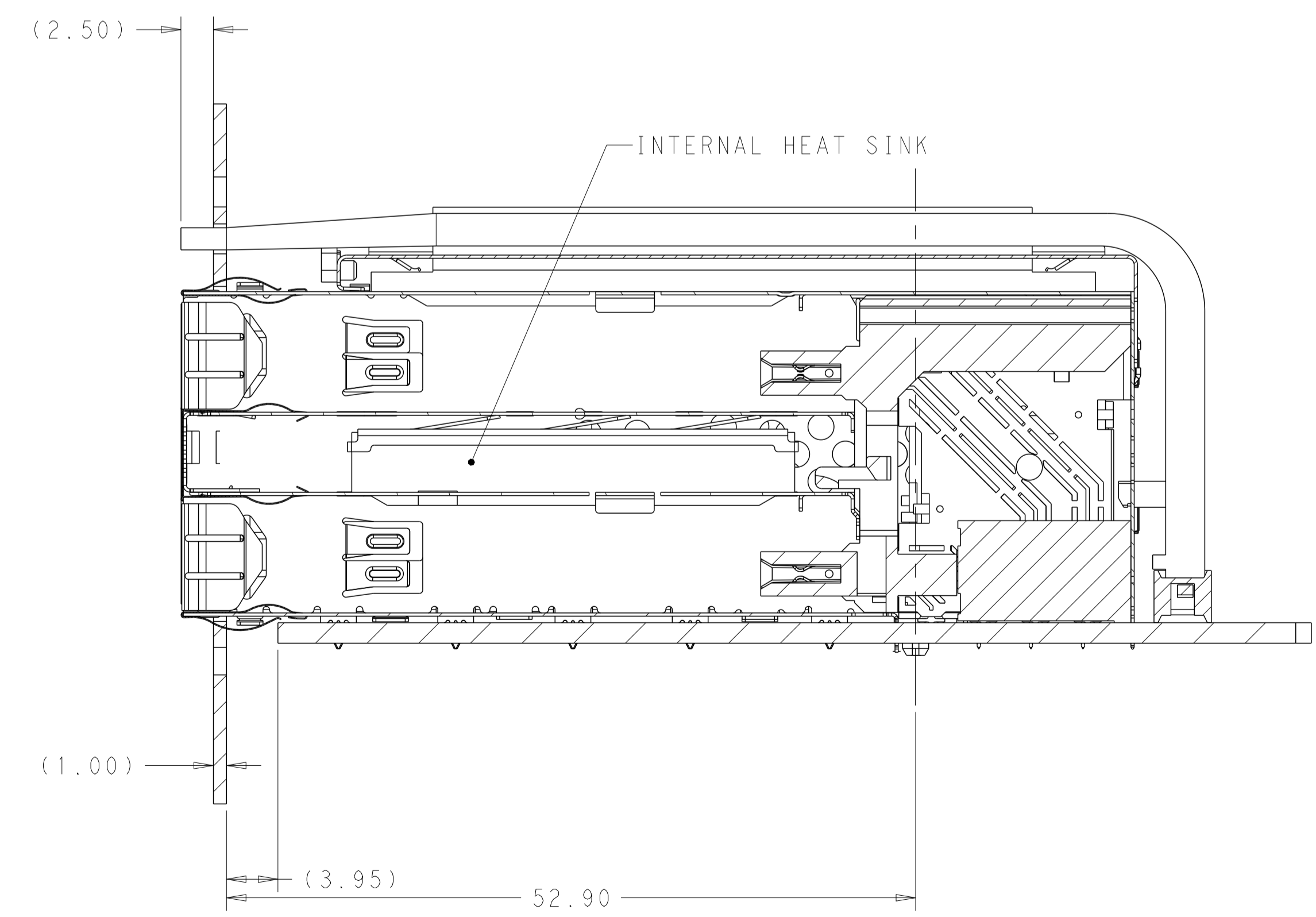
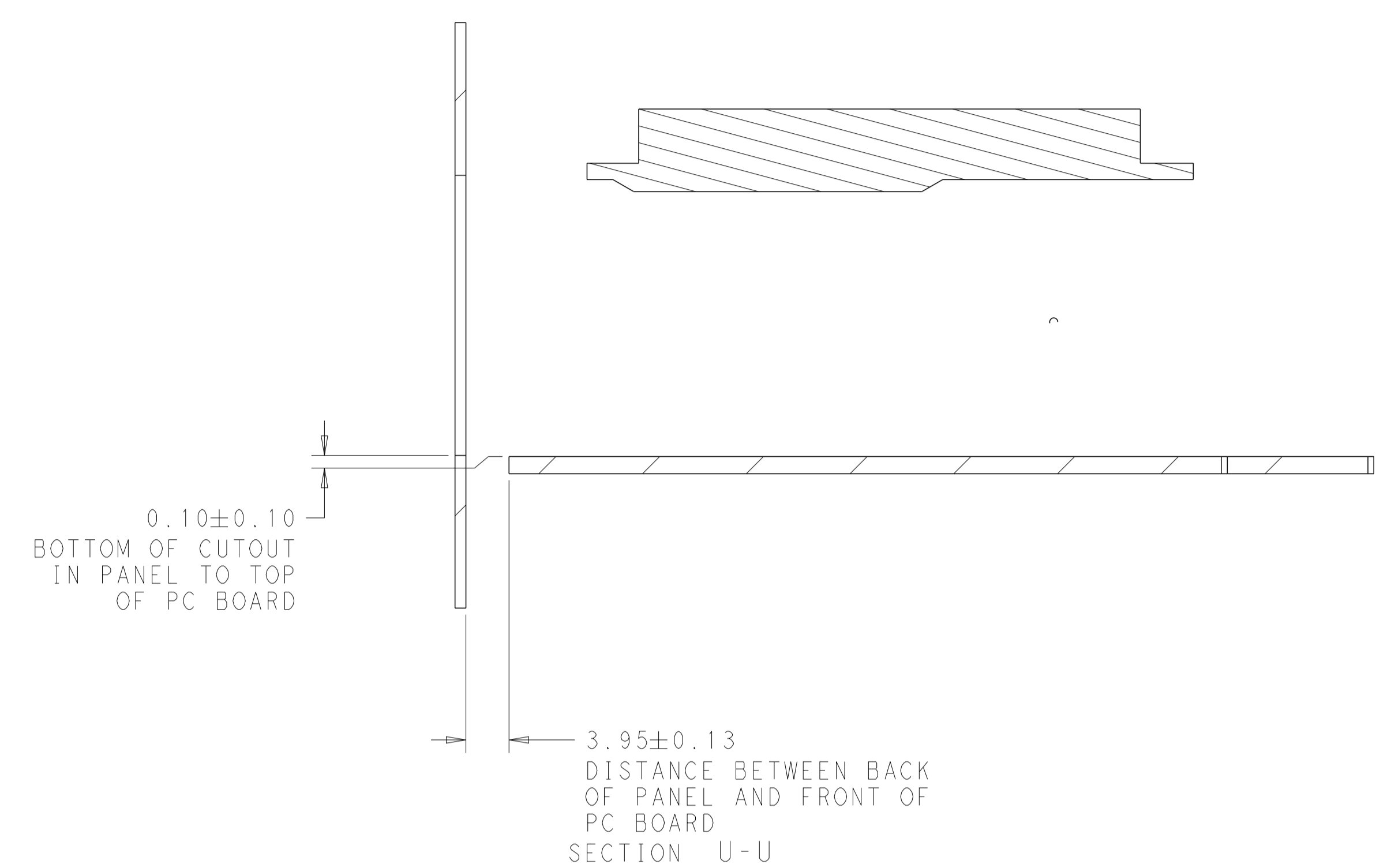


THIS DRAWING IS A CONTROLLED DOCUMENT.		DMN TIM XUE 28JAN2016	TE Connectivity	
DIMENSIONS: mm		CHK SEAN HAN 28JAN2016		
TOLERANCES UNLESS OTHERWISE SPECIFIED:		APVD SEAN HAN 28JAN2016		
0 PLC ±	1 PLC ±0.25	NAME CAGE AND CONNECTOR ASSEMBLY WITH EMI SPRING FINGERS, THRU BEZEL, 2X2 ZQSFP+ STACKED WITH HS		
2 PLC ±0.15	3 PLC ±	PRODUCT SPEC 108-60102		
4 PLC ±	ANGLES ±	APPLICATION SPEC 114-60015	SIZE A100779	DRAWING NO C=2299870
MATERIAL SEE NOTE 1	FINISH SEE NOTE 2	WEIGHT -	CUSTOMER DRAWING	RESTRICTED TO -
		SCALE 4:1	SHEET 10	OF 15
		REV J		

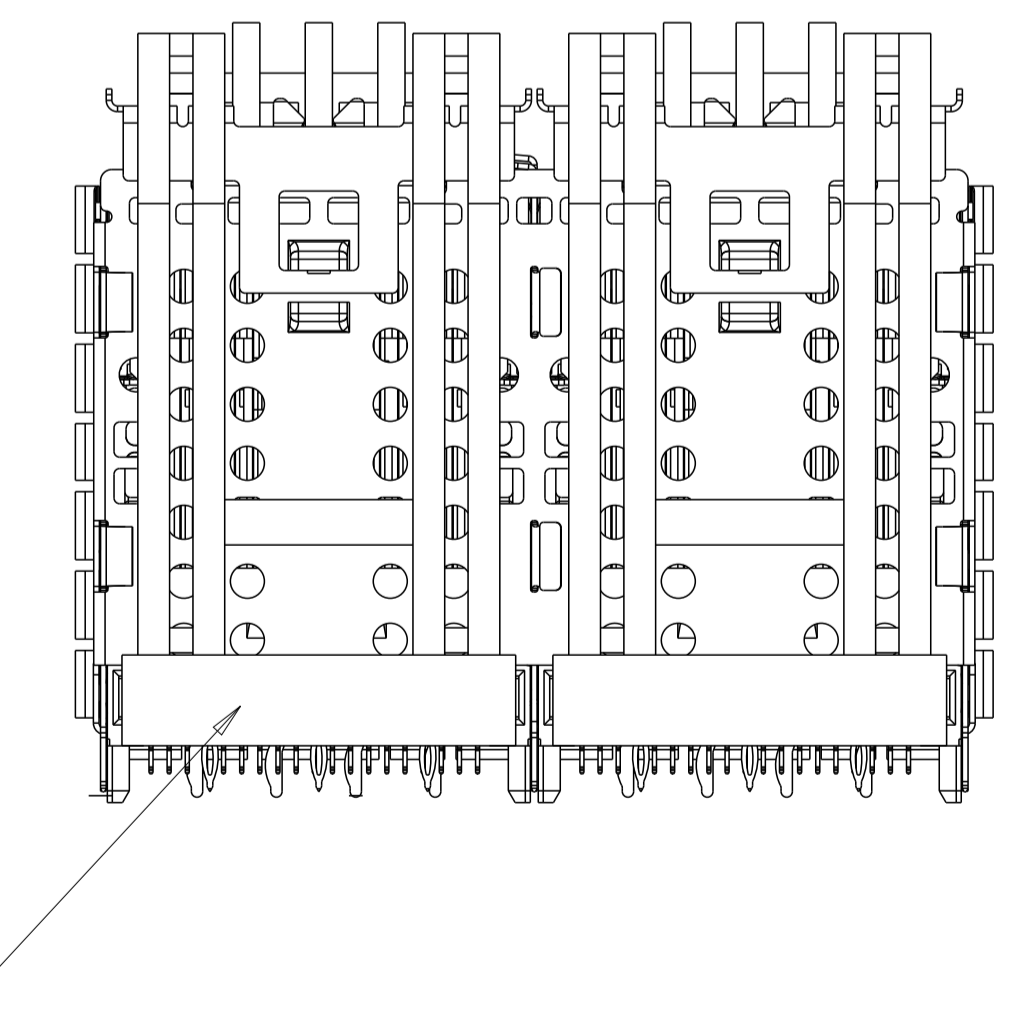
LOC	DIST	REVISIONS			
P	LTN	DESCRIPTION	DATE	DMN	APVD
-	-	SEE SHEET 1	-	-	-



RECOMMENDED PANEL CUTOUT
 AND PC BOARD PANEL POSITION
 SCALE 5:2

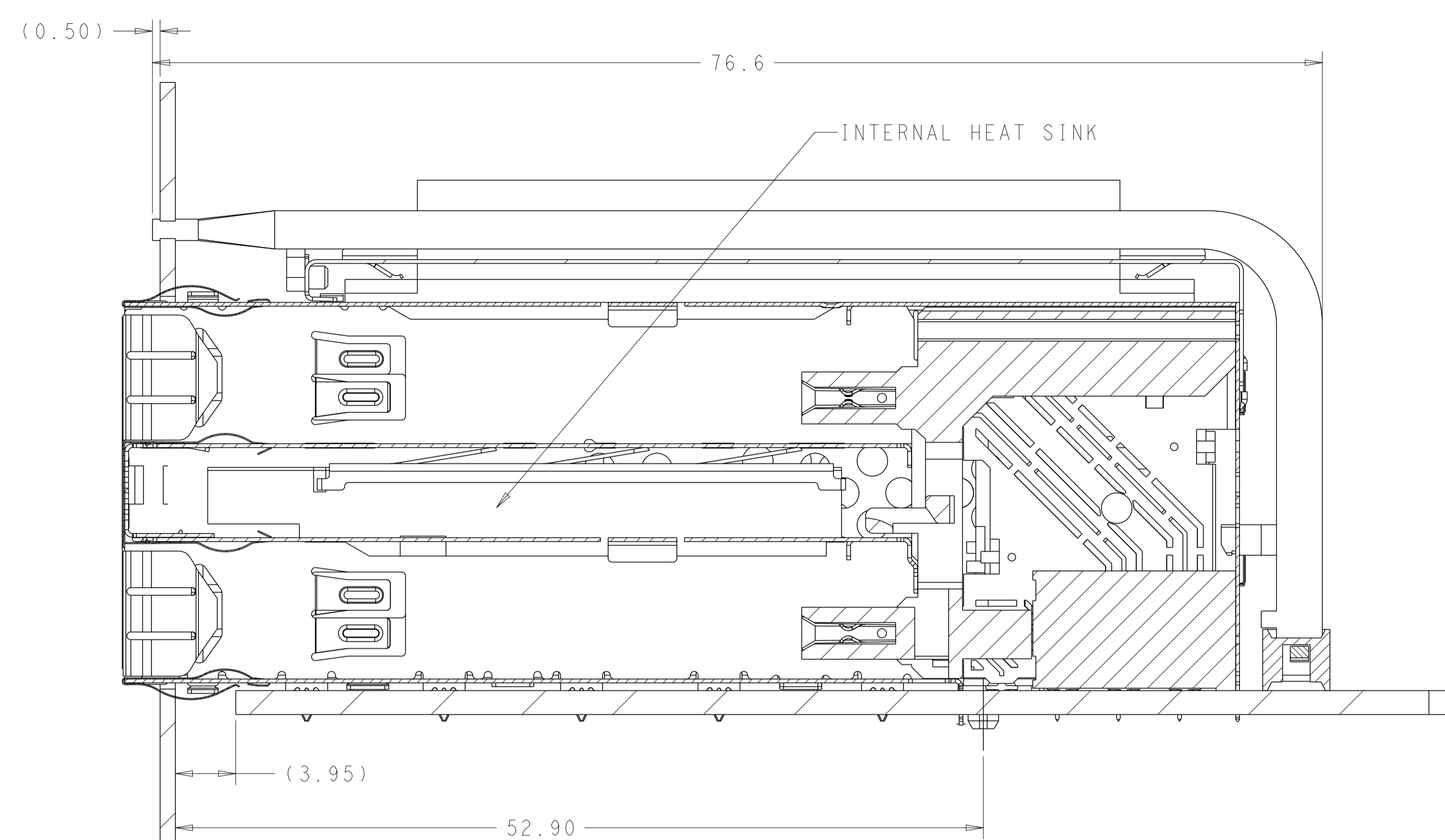


2299870-1 BEZEL LOCATION AS SHOWN
 SECTION V-V
 SCALE 3:1

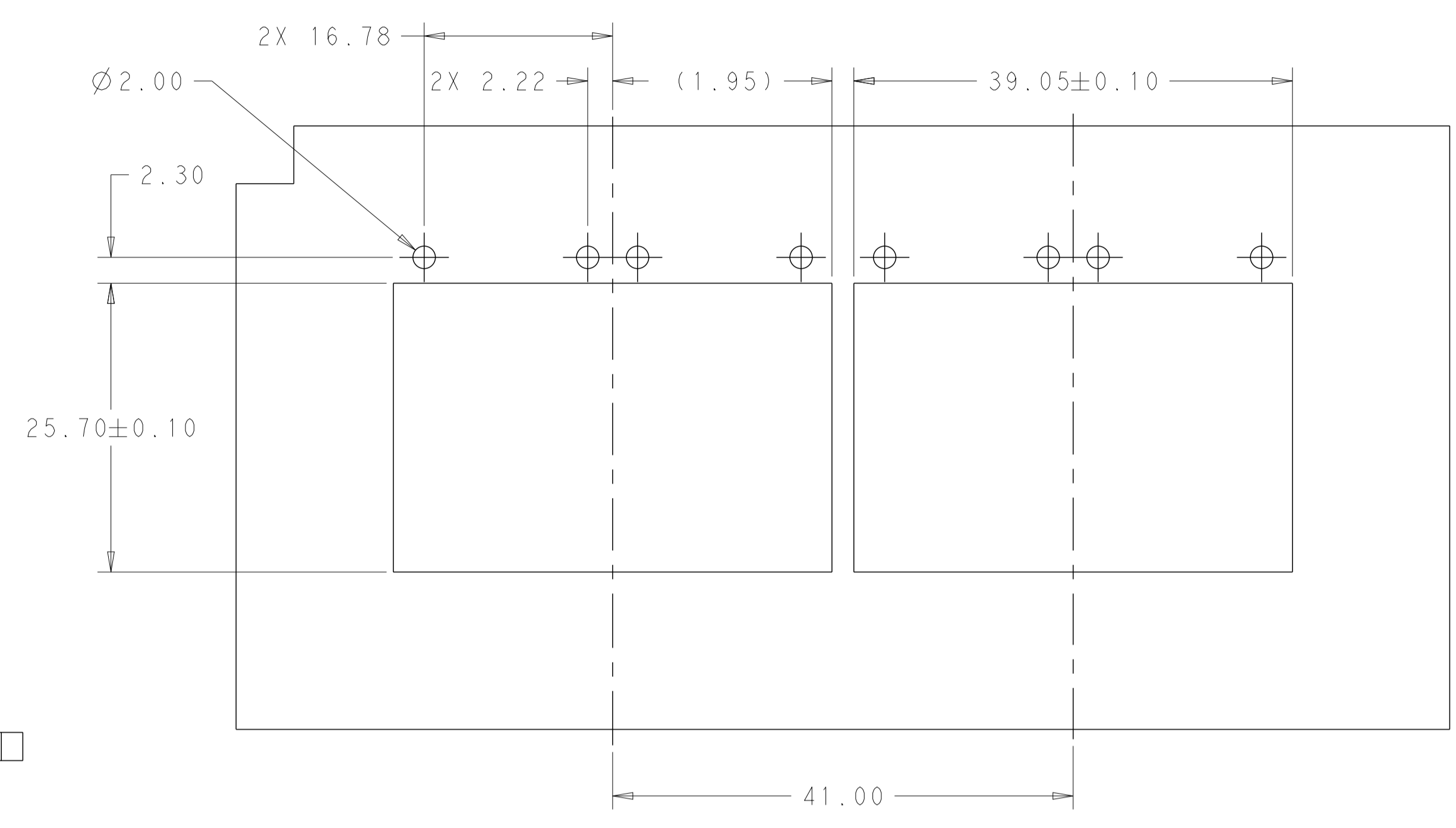


THIS DRAWING IS A CONTROLLED DOCUMENT.		DMN TIM XUE 28JAN2016	TE Connectivity	
DIMENSIONS:		CHK SEAN HAN 28JAN2016	NAME	
mm	TOLERANCES UNLESS OTHERWISE SPECIFIED:	APVD SEAN HAN 28JAN2016	CAGE AND CONNECTOR ASSEMBLY WITH EMI SPRING FINGERS, THRU BEZEL, 2X2 ZQSFP+ STACKED WITH HS	
0 PLC	±	PRODUCT SPEC	SIZE	CAGE CODE
1 PLC	±0.25	108-60102	A1	00779
2 PLC	±0.15	APPLICATION SPEC	SCALE	4:1
3 PLC	±	114-60015	SHEET	11
4 PLC	±	WEIGHT	OF	15
ANGLES	±	CUSTOMER DRAWING	REV	J
FINISH	±	SCALE	4:1	SHEET 11 OF 15
SEE NOTE 1	SEE NOTE 2	DRAWING NO. 2299870		

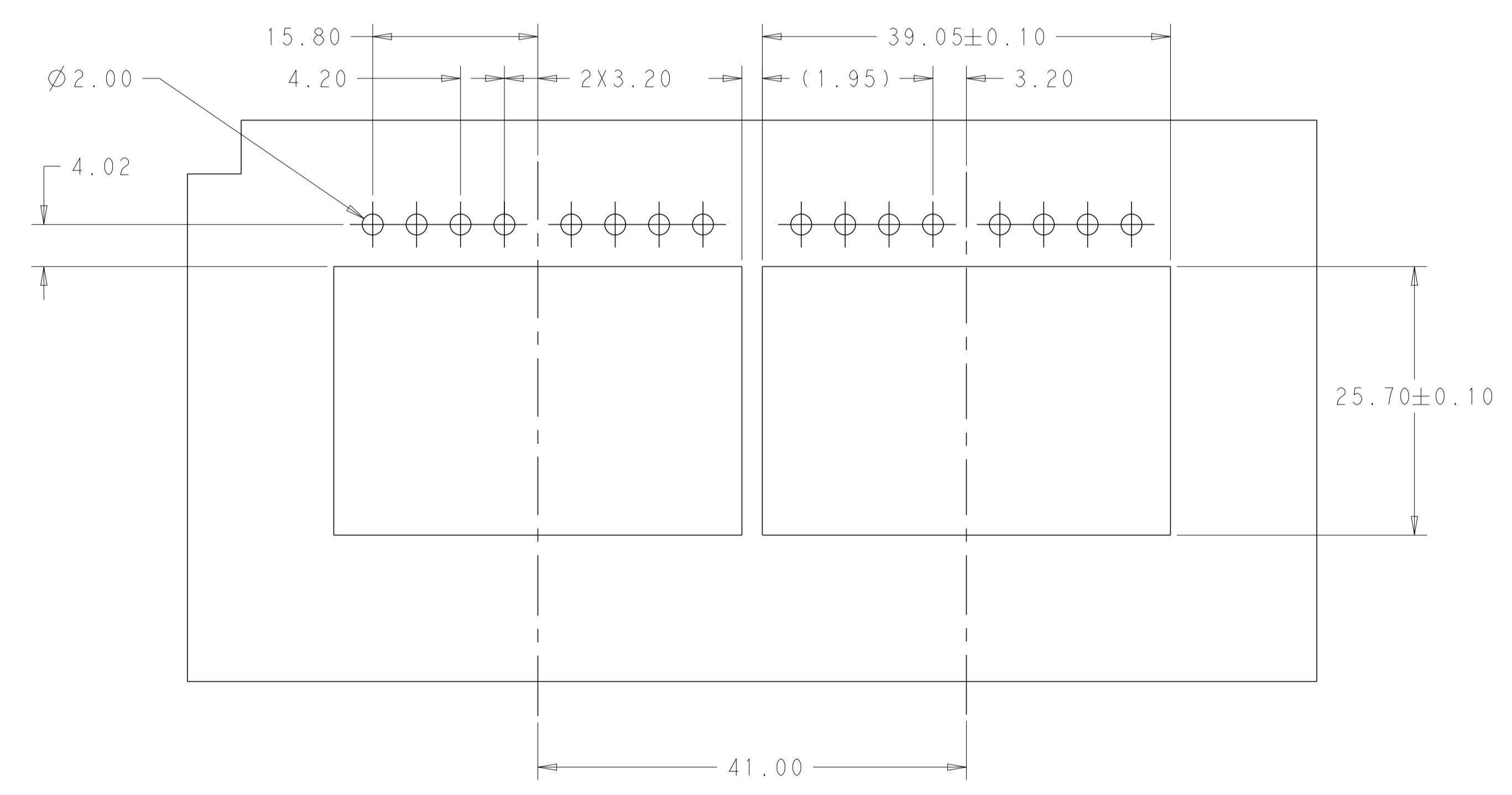
LOC	DIST	REVISIONS			
P	LTN	DESCRIPTION	DATE	DMN	APVD
GP	00	SEE SHEET 1	-	-	-



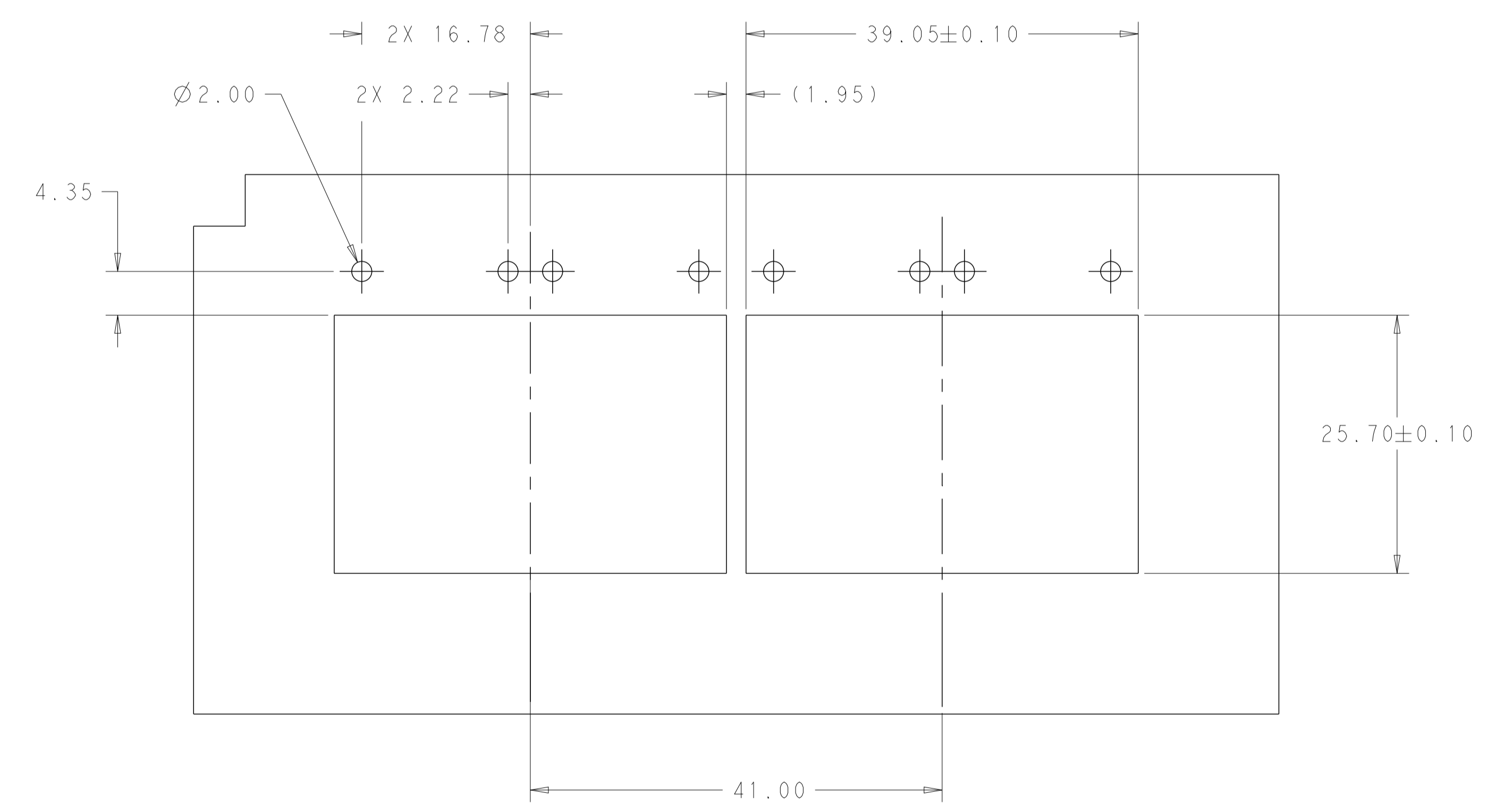
2299870-8
 1-2299870-8
 SECTION V-V
 SCALE 4:1



2-2299870-0
 SCALE 5:2



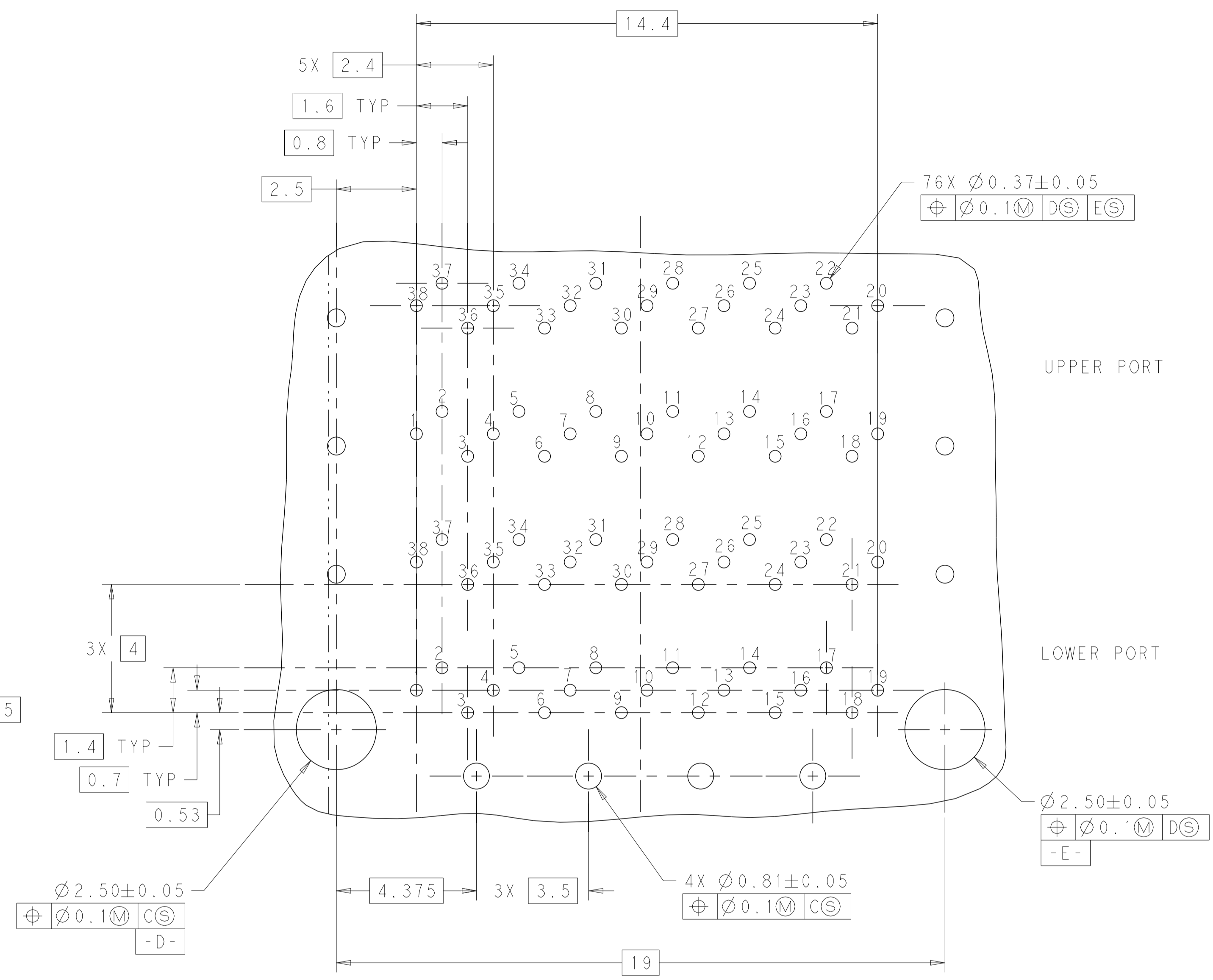
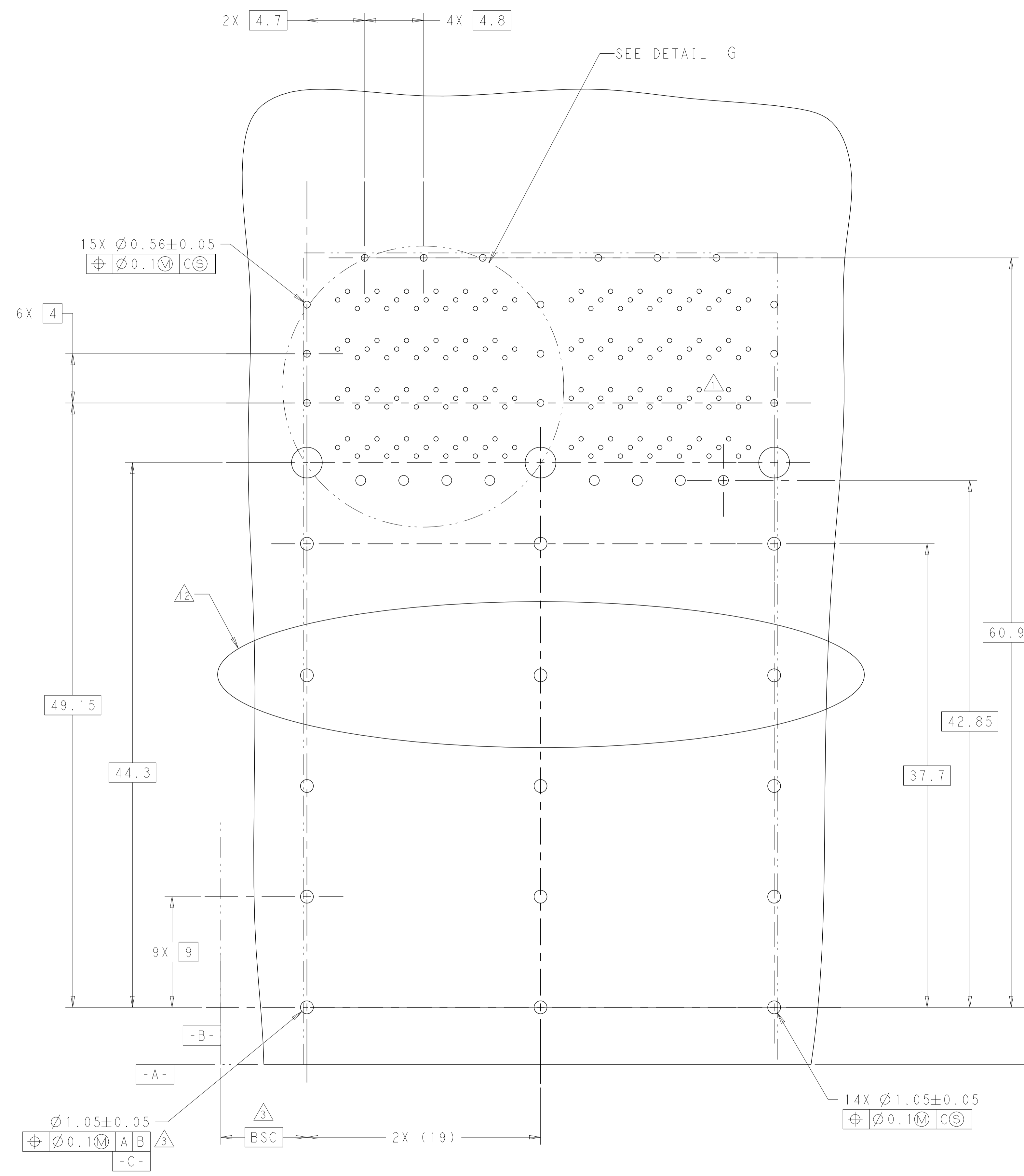
2-2299870-5
 RECOMMENDED PANEL CUTOUT
 SCALE 5:2



2299870-8
 1-2299870-0
 1-2299870-8
 2-2299870-3
 RECOMMENDED PANEL CUTOUT
 SCALE 5:2

THIS DRAWING IS A CONTROLLED DOCUMENT.		DMN	TIM XUE	28JAN2016	TE Connectivity NAME CAGE AND CONNECTOR ASSEMBLY WITH EMI SPRING FINGERS, THRU BEZEL, 2X2 ZQSPF+ STACKED WITH HS
DIMENSIONS:		CHK	SEAN HAN	28JAN2016	
mm		APVD	SEAN HAN	28JAN2016	
TOLERANCES UNLESS OTHERWISE SPECIFIED: 0 PLC ± 1 PLC ±0.25 2 PLC ±0.15 3 PLC ± 4 PLC ± ANGLES ± FINISH ±		PRODUCT SPEC	108-60102	APPLICATION SPEC	
MATERIAL	SEE NOTE 1	SIZE	114-60015	WEIGHT	RESTRICTED TO
SEE NOTE 2		CAGE CODE	A100779	DRAWING NO	SCALE 4:1
CUSTOMER DRAWING		DRAWING NO	2299870	SHEET	12 OF 15
		REV	J		

LOC	DIST	REVISIONS			
GP	00	REV	DATE	BY	APPD
-	-	SEE SHEET 1	-	-	-

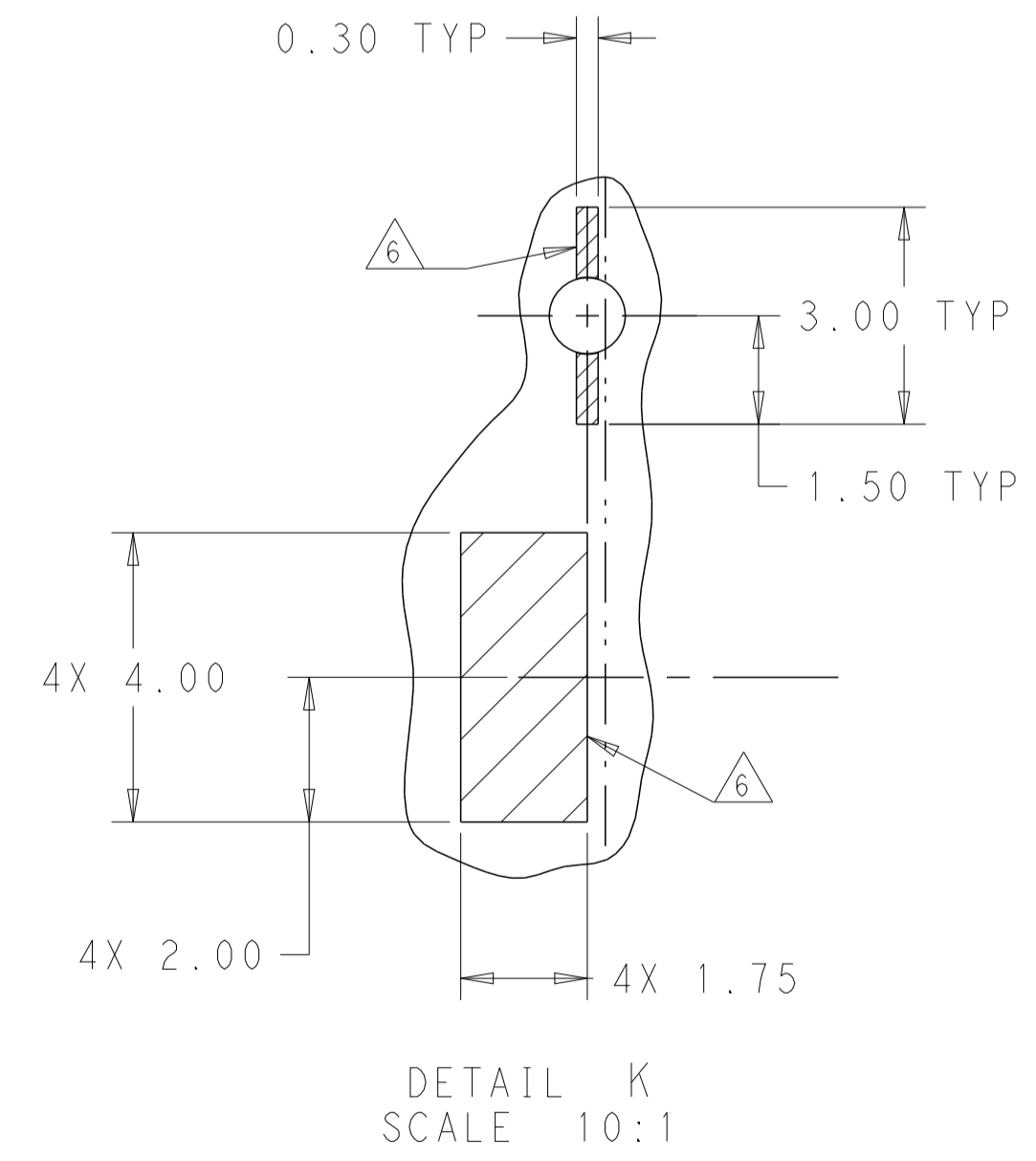
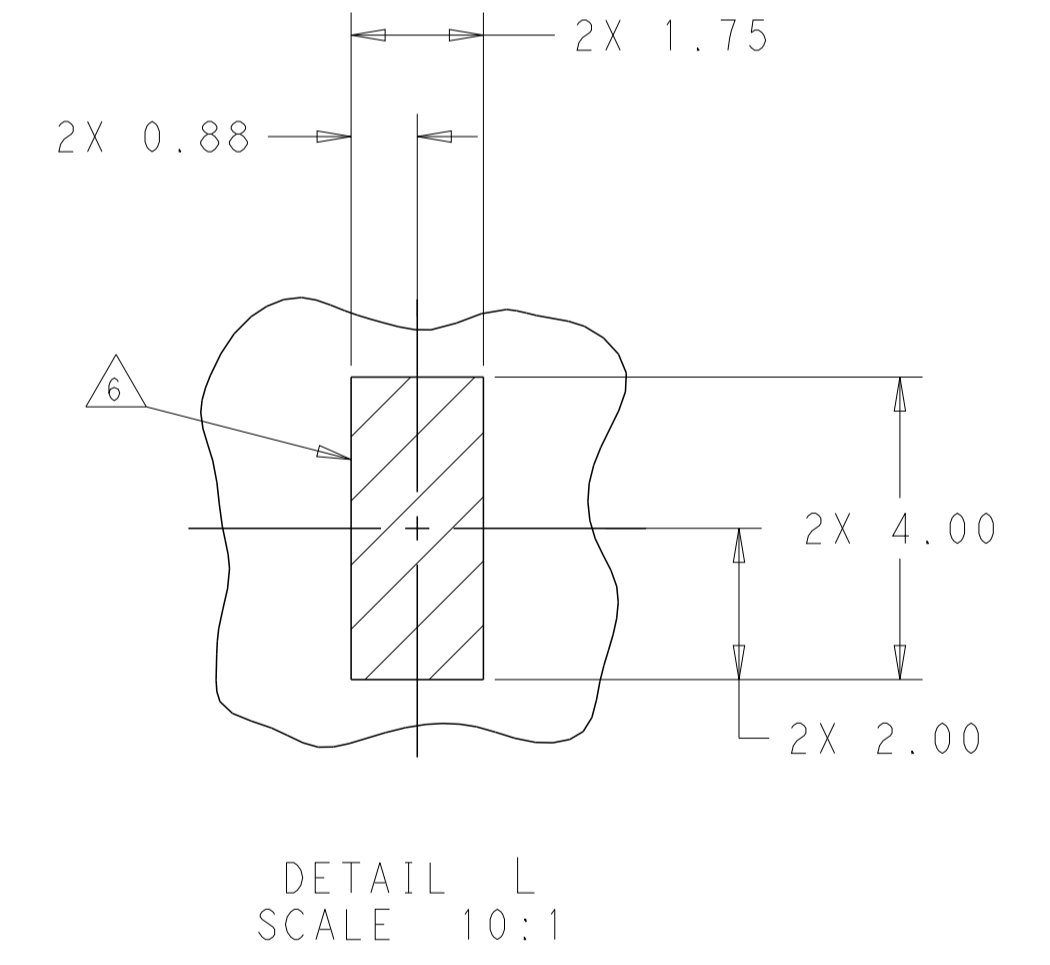
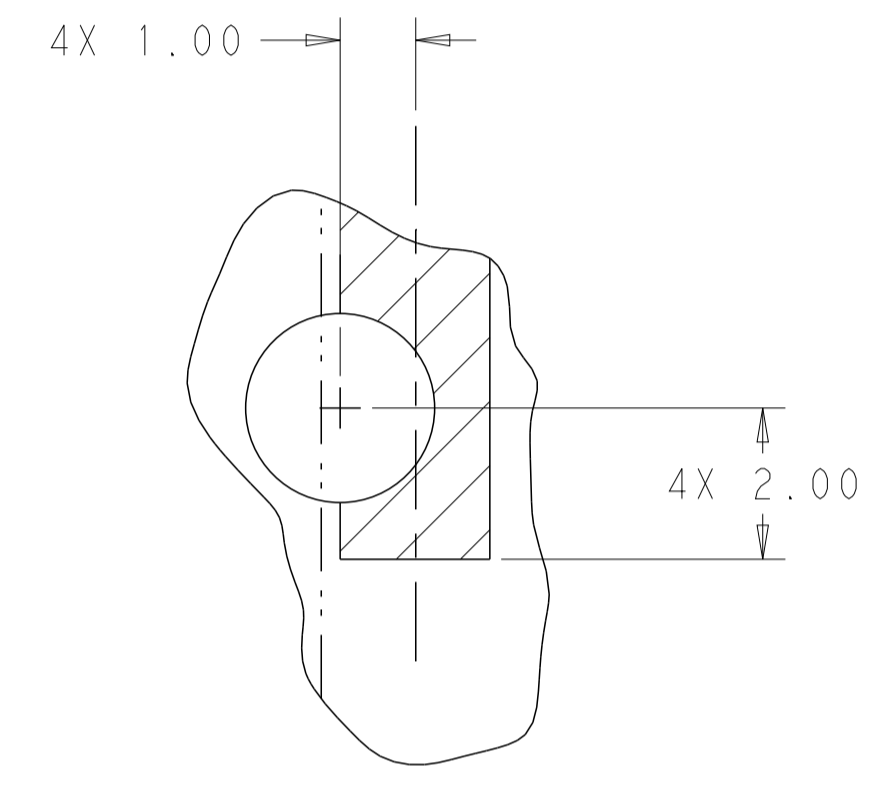
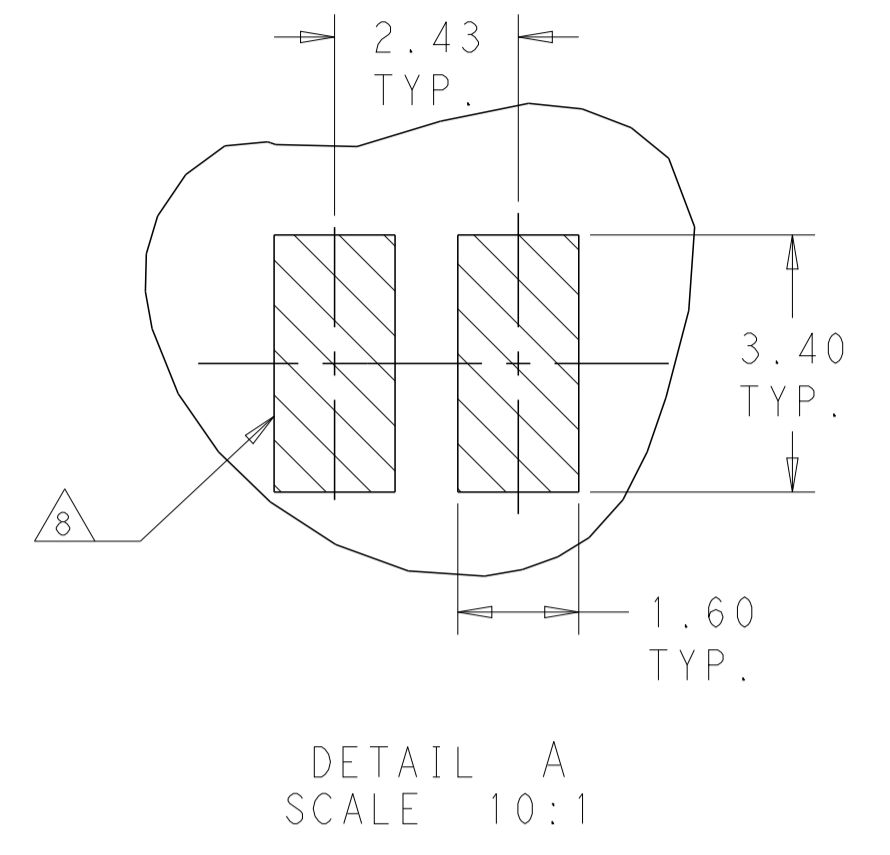
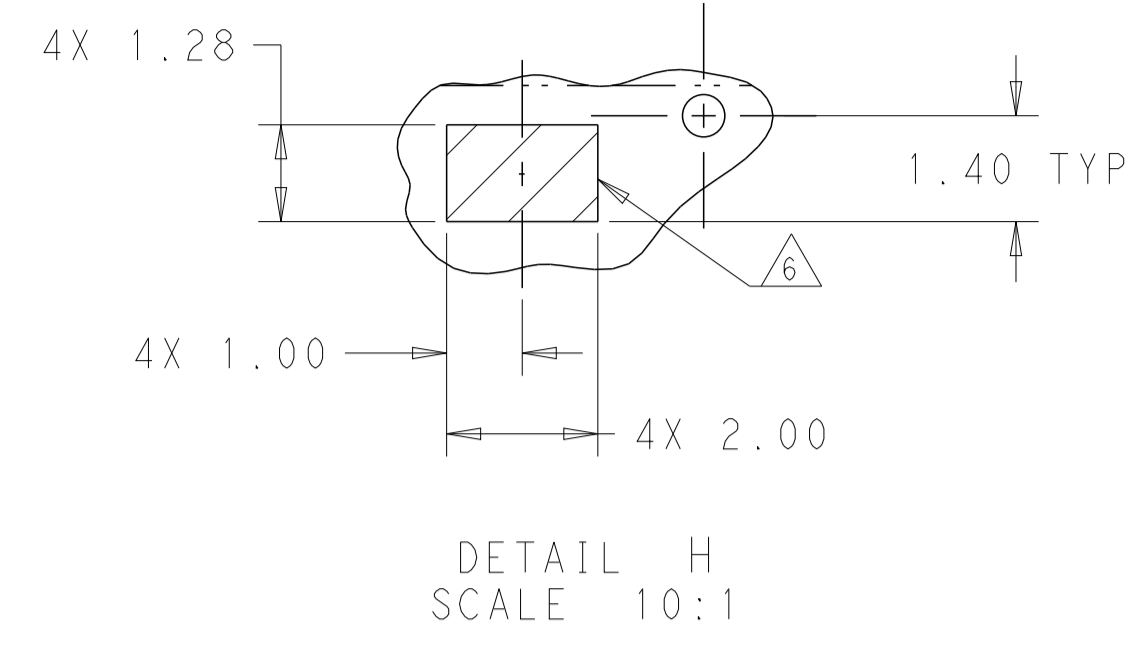
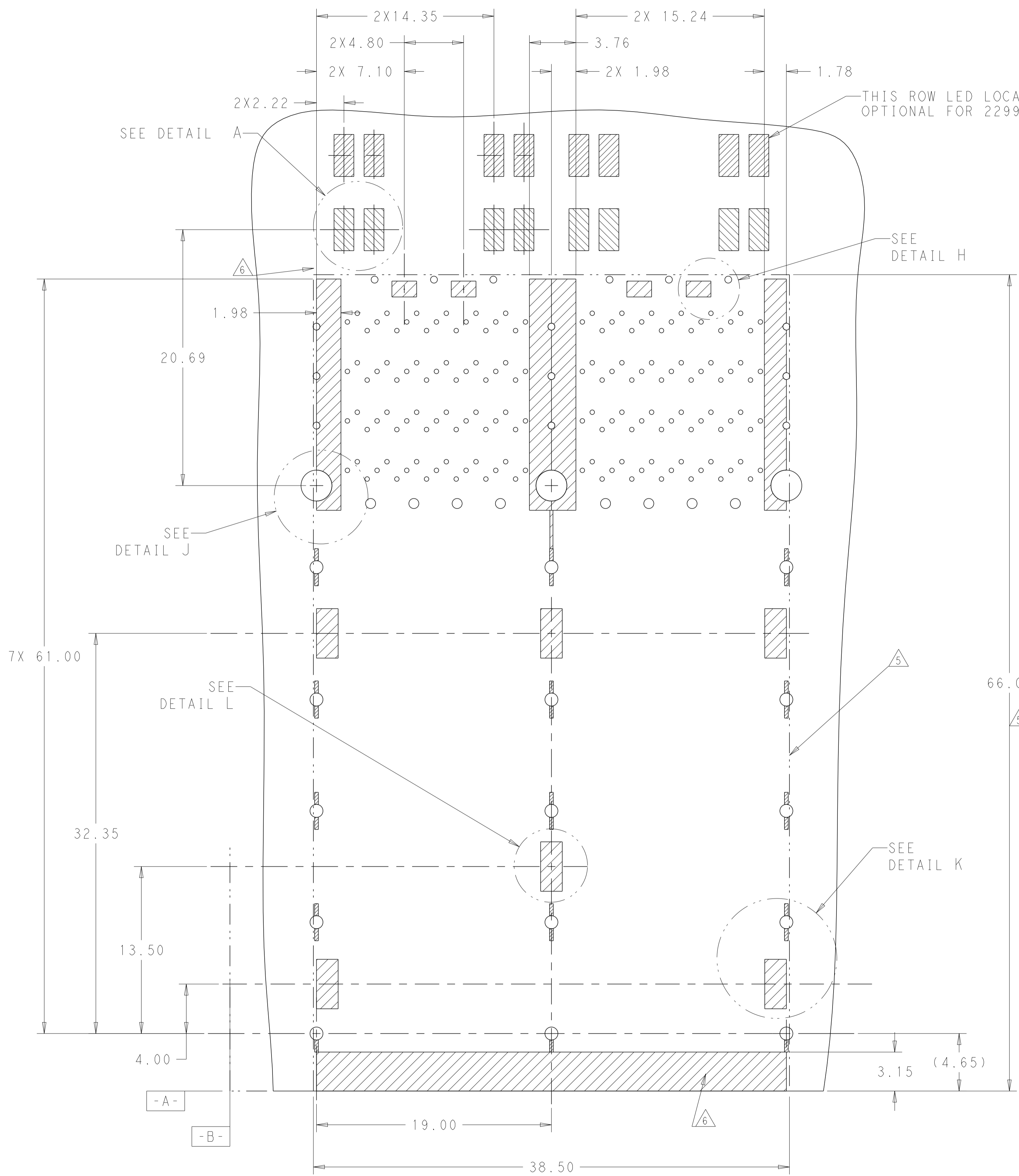


DETAIL G
 SCALE 10:1

RECOMMENDED PC BOARD LAYOUT
 COMPONENT SIDE OF BOARD
 (PCB TOLERANCE ± 0.05)
 SCALE 5:1

THIS DRAWING IS A CONTROLLED DOCUMENT.		OWN: TIM XUE 28JAN2016	TE Connectivity
DIMENSIONS: mm		CHK: SEAN HAN 28JAN2016	
TOLERANCES UNLESS OTHERWISE SPECIFIED:		APPD: SEAN HAN 28JAN2016	
0 PLC \pm 1 PLC ± 0.25 2 PLC ± 0.15 3 PLC \pm 4 PLC \pm ANGLES \pm		NAME: CAGE AND CONNECTOR ASSEMBLY WITH EMI SPRING FINGERS, THRU BEZEL, 2X2 ZQSFP+ STACKED WITH HS	
MATERIAL: SEE NOTE 1	FINISH: SEE NOTE 2	PRODUCT SPEC: 108-60102	SIZE: A1
CUSTOMER DRAWING		APPLICATION SPEC: 114-60015	CAGE CODE: 2299870
		WEIGHT: -	RESTRICTED TO: -
		SCALE: 4:1	SHEET 13 OF 15

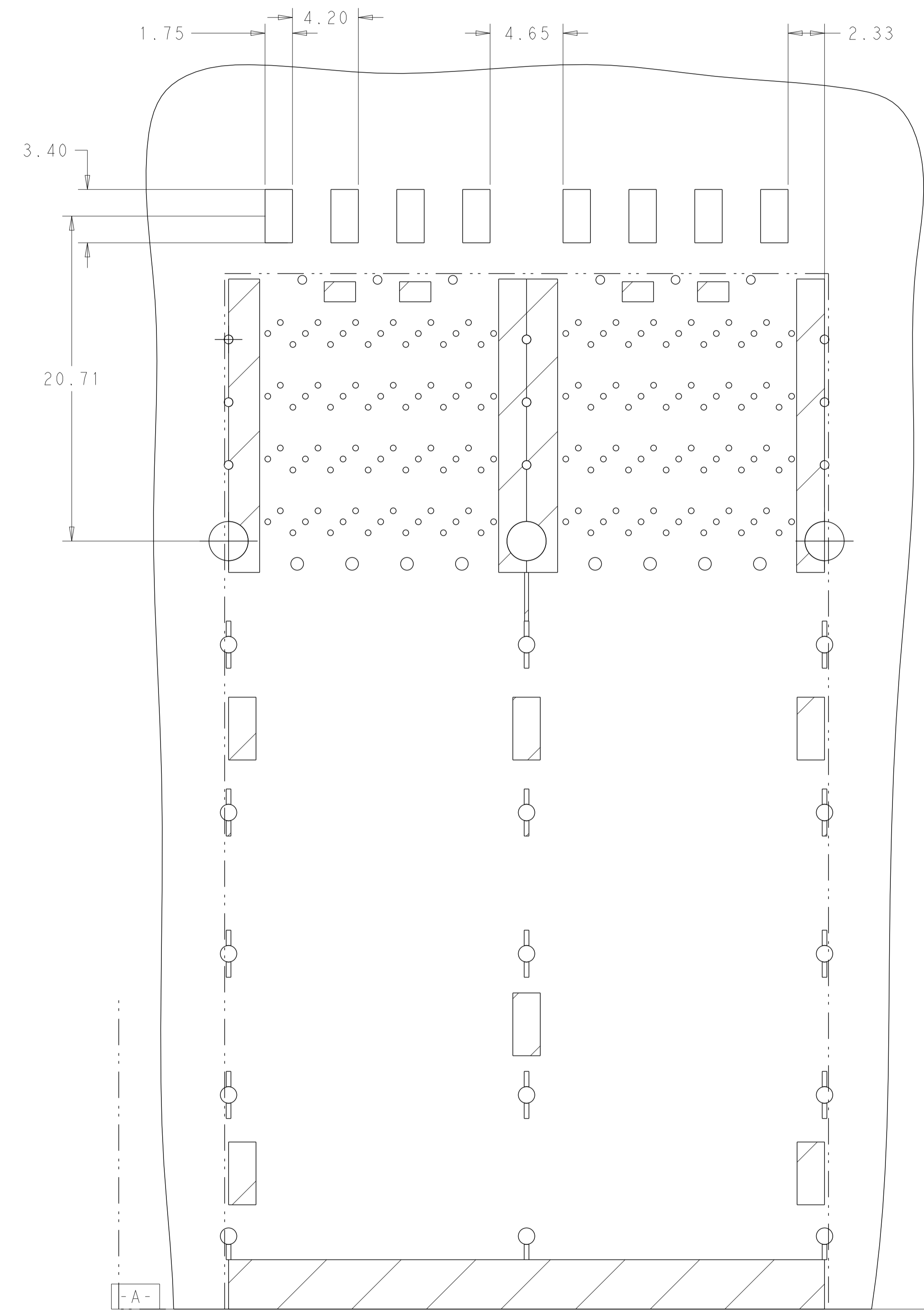
LOC	DIST	REVISIONS					
GP	00	P	LYR	DESCRIPTION	DATE	OWN	APVD
		-		SEE SHEET 1			



KEEPOUT AREAS
 COMPONENT SIDE OF BOARD
 (PCB TOLERANCE ±0.05)
 SCALE 5:1

THIS DRAWING IS A CONTROLLED DOCUMENT.		OWN: TIM XUE 28JAN2016	TE Connectivity
DIMENSIONS: mm		CHK: SEAN HAN 28JAN2016	
TOLERANCES UNLESS OTHERWISE SPECIFIED:		APVD: SEAN HAN 28JAN2016	NAME: CAGE AND CONNECTOR ASSEMBLY WITH EMI SPRING FINGERS, THRU BEZEL, 2X2 ZQSF+ STACKED WITH HS PRODUCT SPEC: 108-60102 APPLICATION SPEC: 114-60015 SIZE: 114-60015 CAGE CODE: DRAWING NO: A100779 WEIGHT: - CUSTOMER DRAWING
0 PLC ±0.25		RESTRICTED TO	
1 PLC ±0.15		SCALE 4:1 SHEET 14 OF 15 REV J	
2 PLC ±0.10			
3 PLC ±0.05			
4 PLC ±0.05			
ANGLES ±0.5			
FINISH			
MATERIAL: SEE NOTE 1			
SEE NOTE 2			

LOC	DIST	REVISIONS			
P	LTN	DESCRIPTION	DATE	DMN	APVD
-	-	SEE SHEET 1	-	-	-



RECOMMENDED 2-2299870-5 LP LOCATION
 SCALE 5:1

THIS DRAWING IS A CONTROLLED DOCUMENT.		DMN TIM XUE 28JAN2016		
DIMENSIONS:		CHK SEAN HAN 28JAN2016		
mm	TOLERANCES UNLESS OTHERWISE SPECIFIED:	APVD SEAN HAN 28JAN2016	NAME CAGE AND CONNECTOR ASSEMBLY WITH EMI SPRING FINGERS, THRU BEZEL, 2X2 ZQSFP+ STACKED WITH HS	
0 PLC ±	1 PLC ±0.25	PRODUCT SPEC	SIZE CAGE CODE DRAWING NO RESTRICTED TO	
2 PLC ±0.15	3 PLC ±	108-60102	A100779C=2299870	
4 PLC ±	ANGLES ±	APPLICATION SPEC	SCALE 4:1 SHEET 15 OF 15 REV J	
FINISH	114-60015	WEIGHT	CUSTOMER DRAWING	
SEE NOTE 1	SEE NOTE 2	MATERIAL		

X-ON Electronics

Largest Supplier of Electrical and Electronic Components

Click to view similar products for [I/O Connectors](#) category:

Click to view products by [TE Connectivity](#) manufacturer:

Other Similar products are found below :

[571763P](#) [58098-0628](#) [72.250.1628.2](#) [72.250.2428.2](#) [74720-0505](#) [76.350.0729.0](#) [76871-1403](#) [FCN-244F080-G/1](#) [FCN-260A9920](#) [PCR-E36PM](#) [PCS-XE26MA+](#) [G38A71314B](#) [1571250010](#) [157-22500-3](#) [MS3471L14-19P L/C](#) [172501-4002](#) [172501-6002](#) [FCN-260C008-A/L0](#) [FCN-260C024-AL0](#) [FCN-261Z008](#) [2000314-1](#) [200331-1](#) [PCR-E36FC+](#) [PCS-E28FS+](#) [PCS-XE26SLFD+](#) [PCS-XE26SLFDT+](#) [G730VID08BDC24](#) [U90B2054081210](#) [38113800006](#) [DP3AR020WQ1R200](#) [Z4.102.0680.0](#) [500-1040](#) [500-1052](#) [500-1054](#) [ZP-4008-66L](#) [0709821002](#) [DX40-20P\(55\)](#) [5554841-1](#) [MS3474W18-8P-LC*](#) [U90B3054061110](#) [U65-E04-4020](#) [ZPF000000000097891](#) [747360449](#) [10099439-003C-TRLF](#) [10137239-0021LF](#) [E9320-001-01](#) [10137239-0011LF](#) [70289-001LF](#) [70.060.1028.0](#) [109029-ZZ](#)