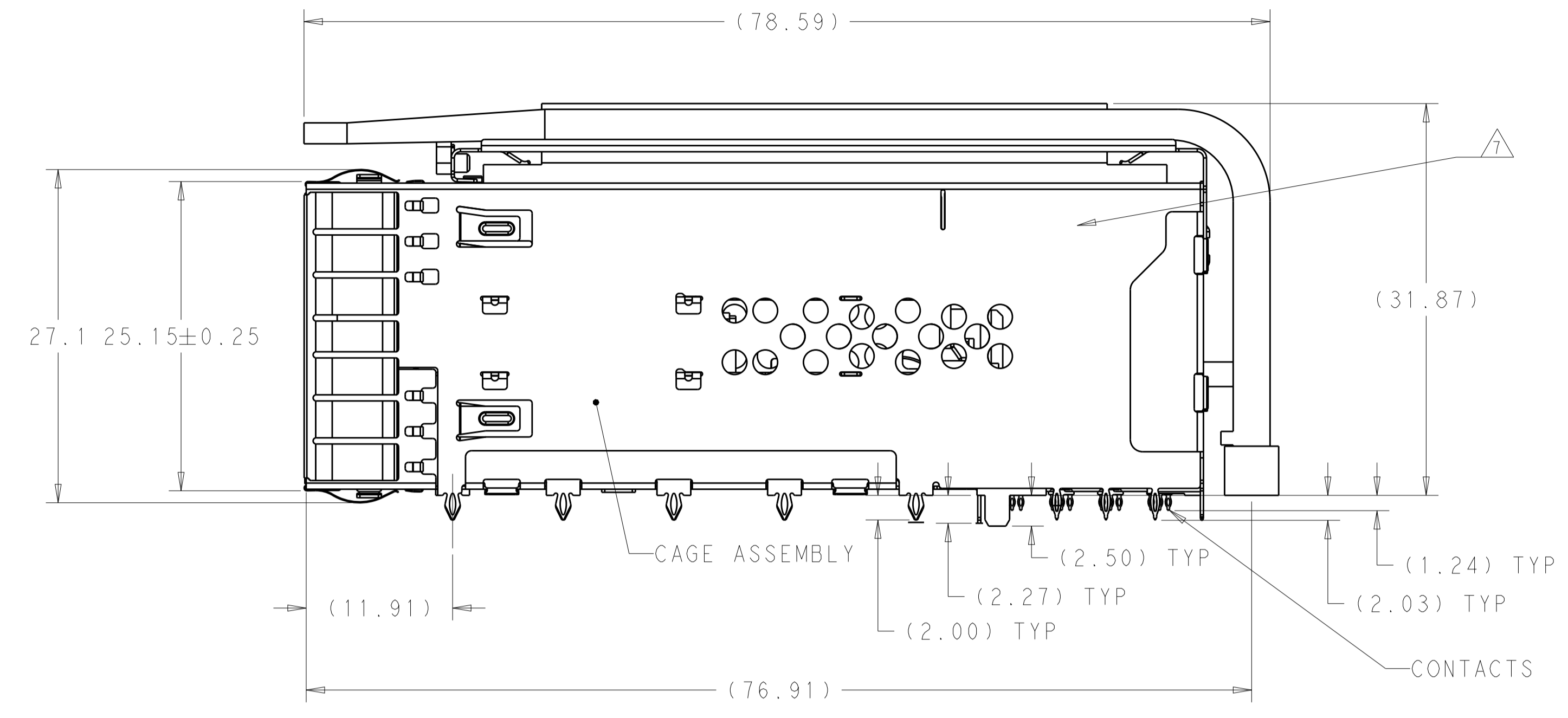
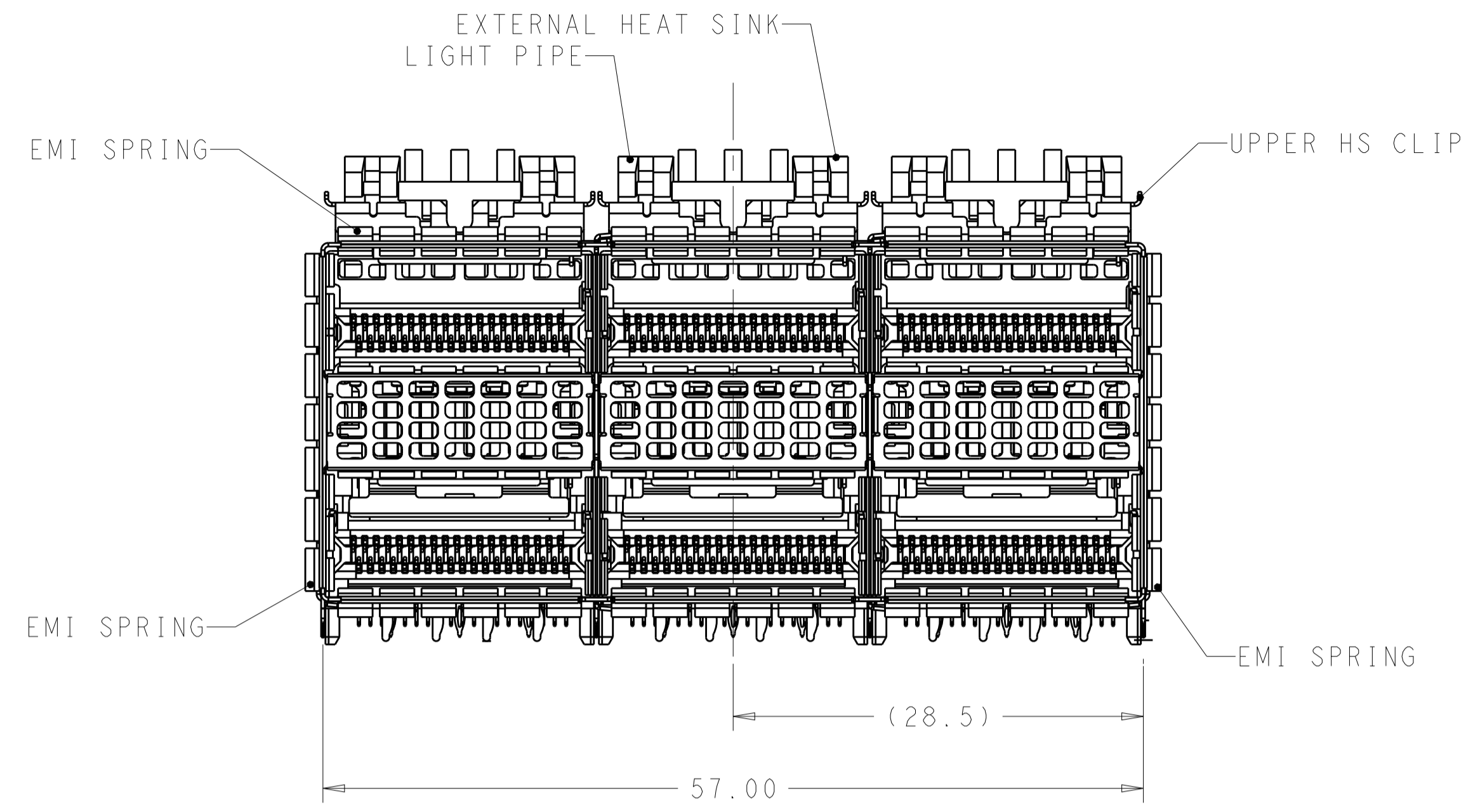
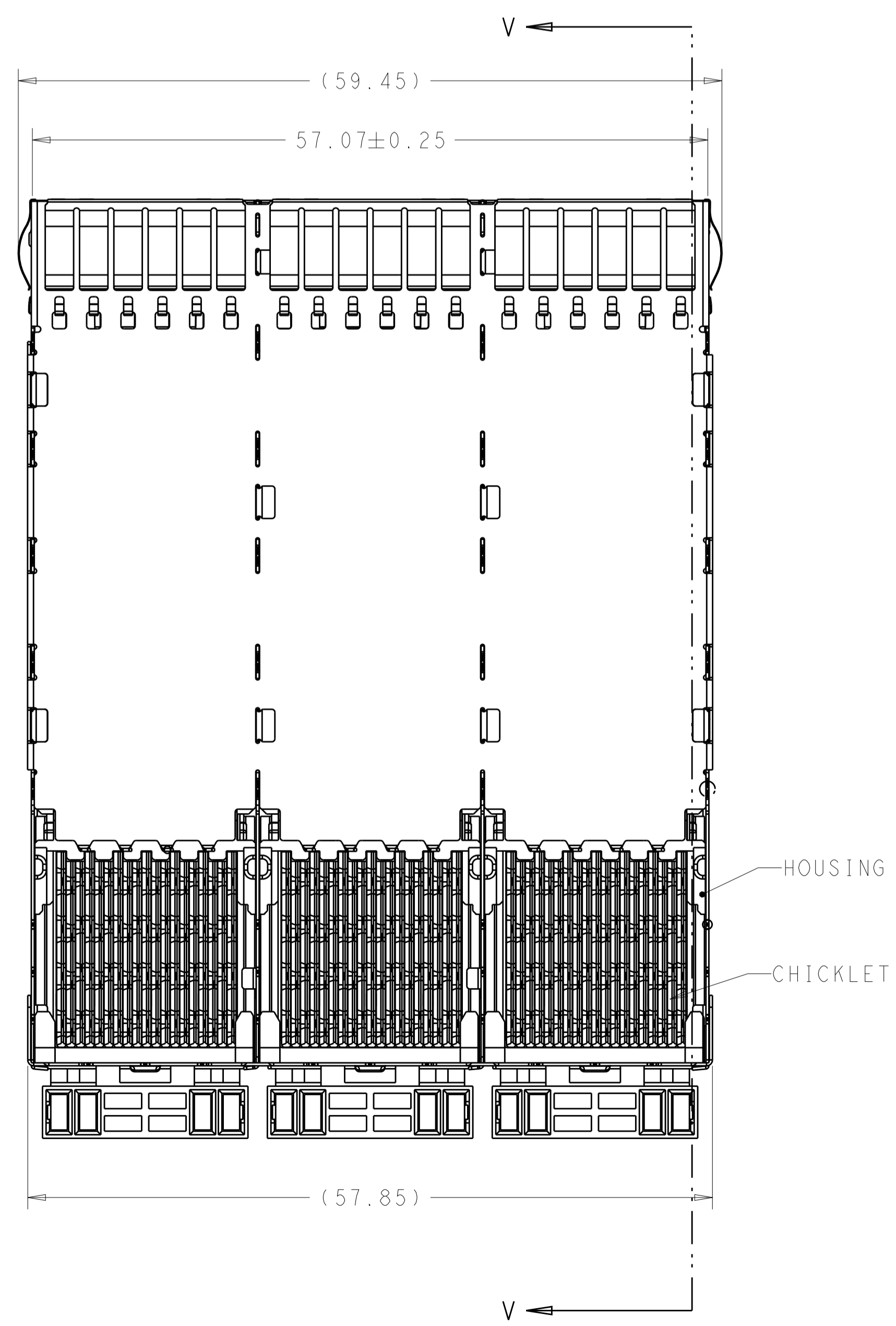


| LOC | DIST | REVISIONS | | | |
|-----|------|---------------------------|-----------|-----|------|
| P | LTN | DESCRIPTION | DATE | DMN | APVD |
| E | | REVISED PER ECR-19-017405 | 22NOV2019 | RM | SH |
| F | | REVISED PER ECR-20-012291 | 09SEP2020 | RM | SH |



1. MATERIALS:
 CAGE ASSEMBLY- NICKEL SILVER ALLOY PER ASTM B 122.
 EMI SPRING- COPPER ALLOY, NICKEL PLATED.
 HOUSING- POLYESTER LCP WITH 94 V-0
 CHICKLET- POLYESTER LCP WITH 94 V-0
 CONTACT- COPPER ALLOY.
 LIGHTPIPE- POLYCARBONATE
 HEAT SINK- ALUMINUM
 CLIP- STAINLESS STEEL

- ② CONTACT FINISH: 0.76µm GOLD ON MATING AREA, 0.7-1.5µm. MATT TIN ON COMPLIANT AREA, ALL OVER 1.27µm NICKEL.
 ③ DATUM AND BASIC DIMENSION ESTABLISHED BY CUSTOMER.
 4. MINIMUM PCB THICKNESS OF 1.57.
 ⑤ THE ENTIRE AREA OF THE CONNECTOR FOOTPRINT, INDICATED BY THE DASHED LINE, TO BE CONSIDERED THE KEEPOUT AREA FOR COMPONENTS.
 ⑥ CROSS-HATCHED AREAS REPRESENT ZONES ON THE PCB THAT COME IN CONTACT WITH OR BE IN CLOSE PROXIMITY TO THE PLASTIC HOUSING OR THE CONNECTOR CAGE. INDICATED AREAS TO BE CONSIDERED TRACE FREE.
 ⑦ PART NUMBER AND DATE CODE MADE IN APPROXIMATE AREA SHOWN.
 ⑧ HATCHED AREA IS PLACEMENT ZONE FOR LED. LED SHOULD BE CENTERED WITHIN ZONE. RECOMMEND 0805 PACKAGE.
 ⑨ LOW Br/CI AS DEFINED IN TEC-138-702.
 ⑩ HEAT SINK WITH NICKEL PLATING



| CONTACT FINISH | DESCRIPTION | PART NUMBER |
|----------------|------------------------|-------------|
| ② | WITH HS & WITH LP | 3-2299924-6 |
| ② | WITH HS & WITH LP | 2-2299924-6 |
| ② | WITHOUT UPPER HS & LP | 2-2299924-4 |
| ② | WITH HS & WITH LP | 1-2299924-6 |
| ② | WITH HS & WITHOUT LP | 1-2299924-3 |
| ② | WITH HS & WITH LP | 1-2299924-1 |
| ② | WITH HS & WITH LP | 1-2299924-0 |
| ② | WITH HS & WITH LP | 2299924-8 |
| ② | WITH HS & WITH LP | 2299924-7 |
| ② | WITH HS & WITH LP | 2299924-6 |
| ② | WITH HS & WITH LP | 2299924-5 |
| ② | WITHOUT UPPER HS OR LP | 2299924-4 |
| ② | WITH HS & WITHOUT LP | 2299924-3 |
| ② | WITH HS & WITHOUT LP | 2299924-2 |
| ② | WITH HS & WITH LP | 2299924-1 |

THIS DRAWING IS A CONTROLLED DOCUMENT. DWG: ARTHUR JLN 20JAN2016
 CHK: SEAN HAN 20JAN2016
 APVD: SEAN HAN 20JAN2016

STE TE Connectivity

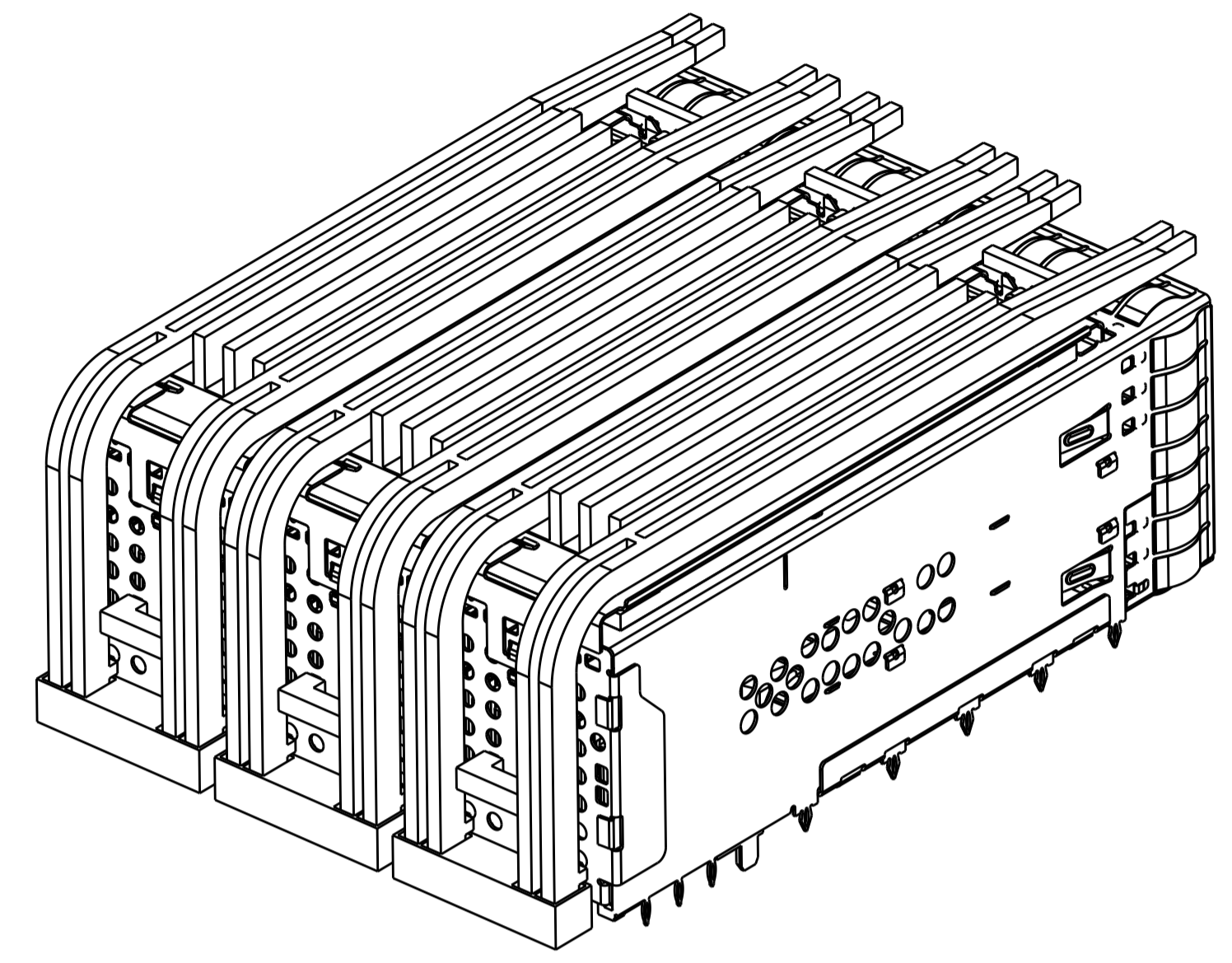
NAME: CAGE AND CONNECTOR ASSEMBLY WITH EMI SPRING FINGERS, THRU BEZEL, 2X3 ZOSFP+ STACKED WITH HS

SIZE: A1 CAGE CODE: 2299924 DRAWING NO: 100779 ©=2299924 RESTRICTED TO

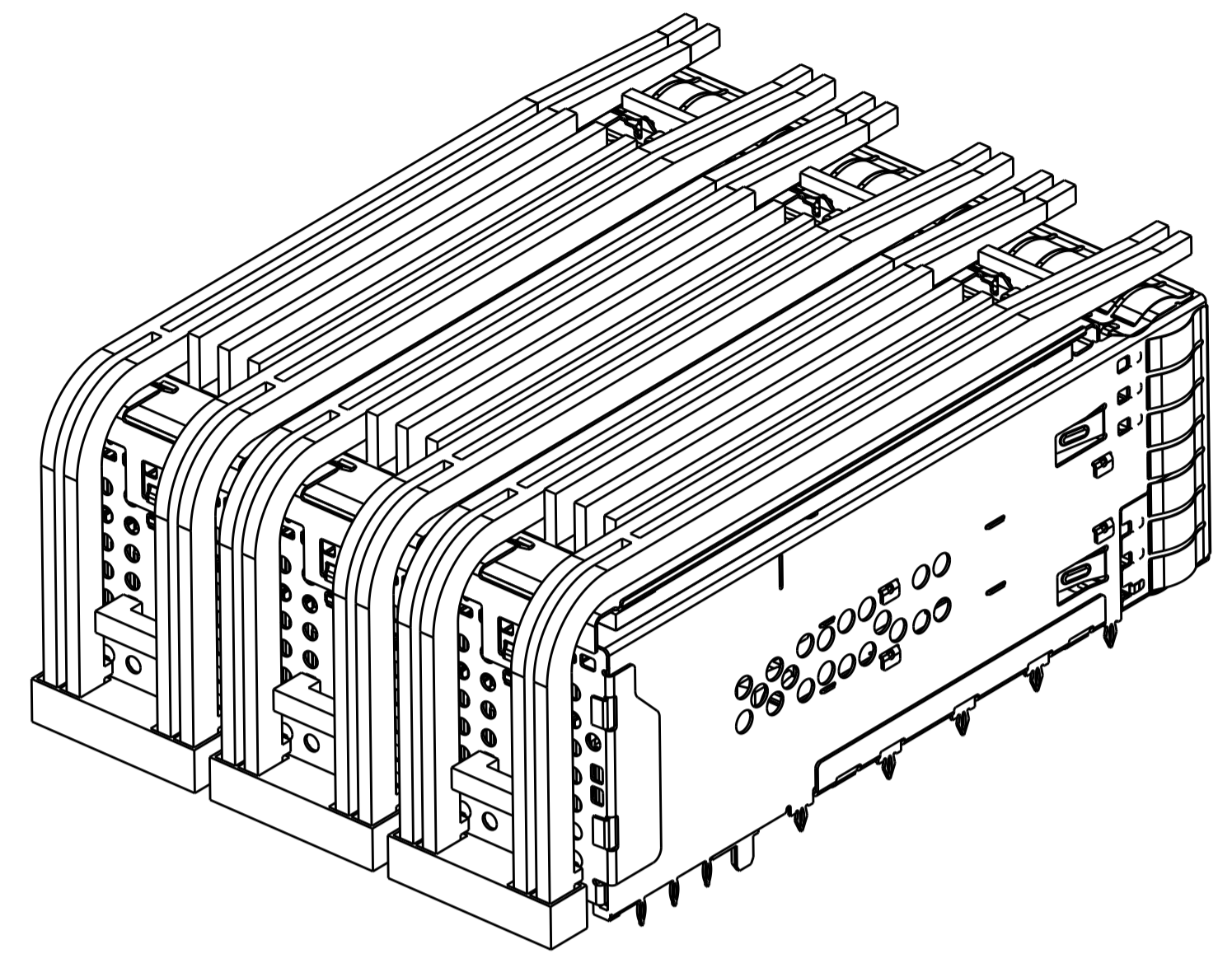
MATERIAL: SEE NOTE 1 TOLERANCES UNLESS OTHERWISE SPECIFIED: SEE NOTE 2

WEIGHT: CUSTOMER DRAWING SCALE: 1:1 SHEET 1 OF 9 REV F

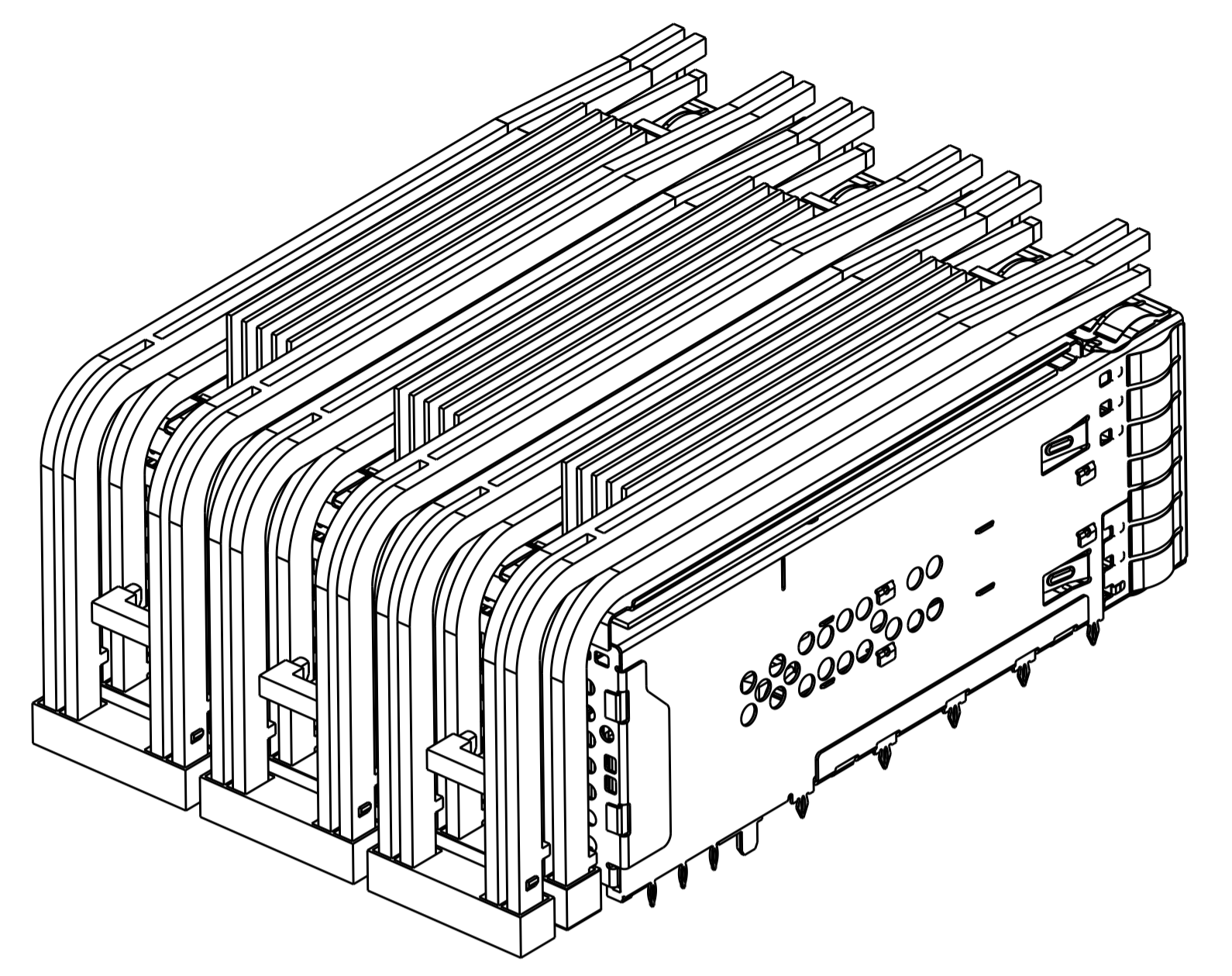
| LOC | DIST | REVISIONS | | | |
|-----|------|-------------|------|-----|------|
| P | LYR | DESCRIPTION | DATE | OWN | APVD |
| GP | 00 | SEE SHEET 1 | | | |



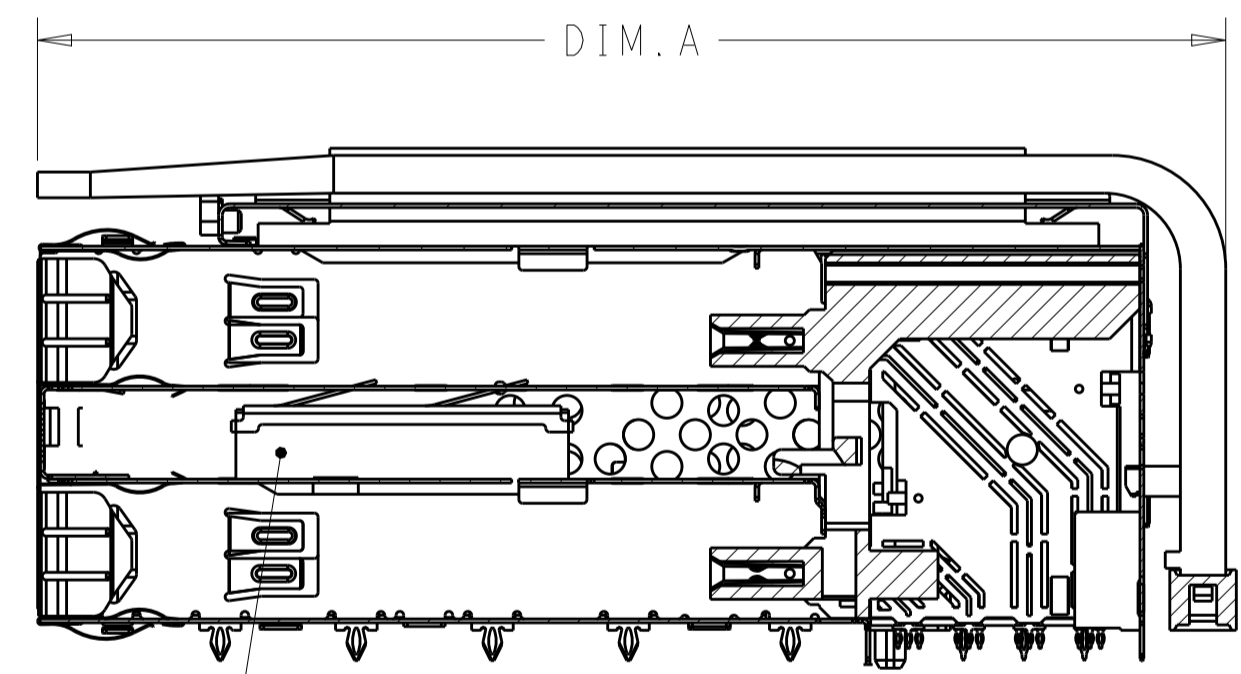
2299924-1
 1-2299924-1
 AS SHOWN
 SCALE 2:1



2299924-5 AS SHOWN
 HAS THE SAME APPEARANCE WITH 2299924-1
 BUT DIFFERENT INTERNAL HEAT SINK
 SCALE 2:1



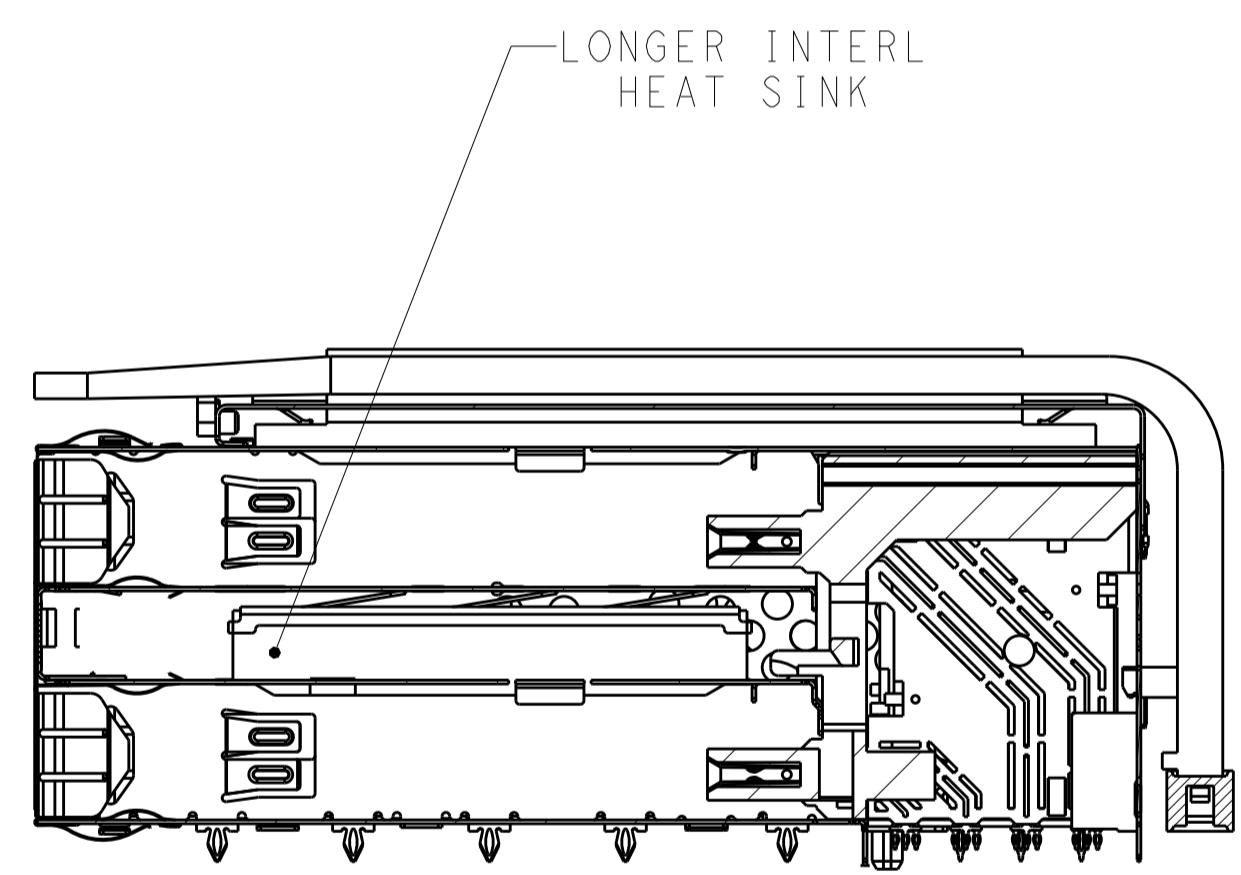
2299924-7
 SCALE 2:1



SHORT INTERNAL HEAT SINK

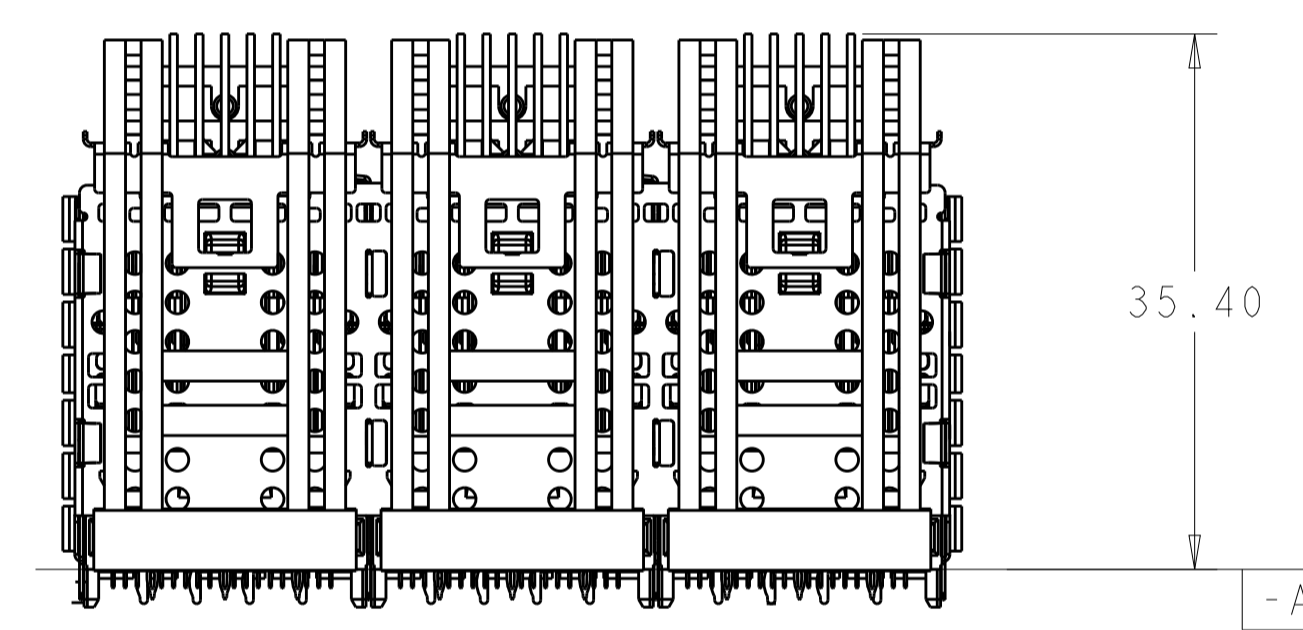
2299924-1
 1-2299924-1
 SECTION VIEW
 SECTION V-V
 SCALE 2:1

| | |
|--------|-------------|
| 75.3 | 1-2299924-1 |
| 78.59 | 2299924-1 |
| DIM. A | PART NUMBER |

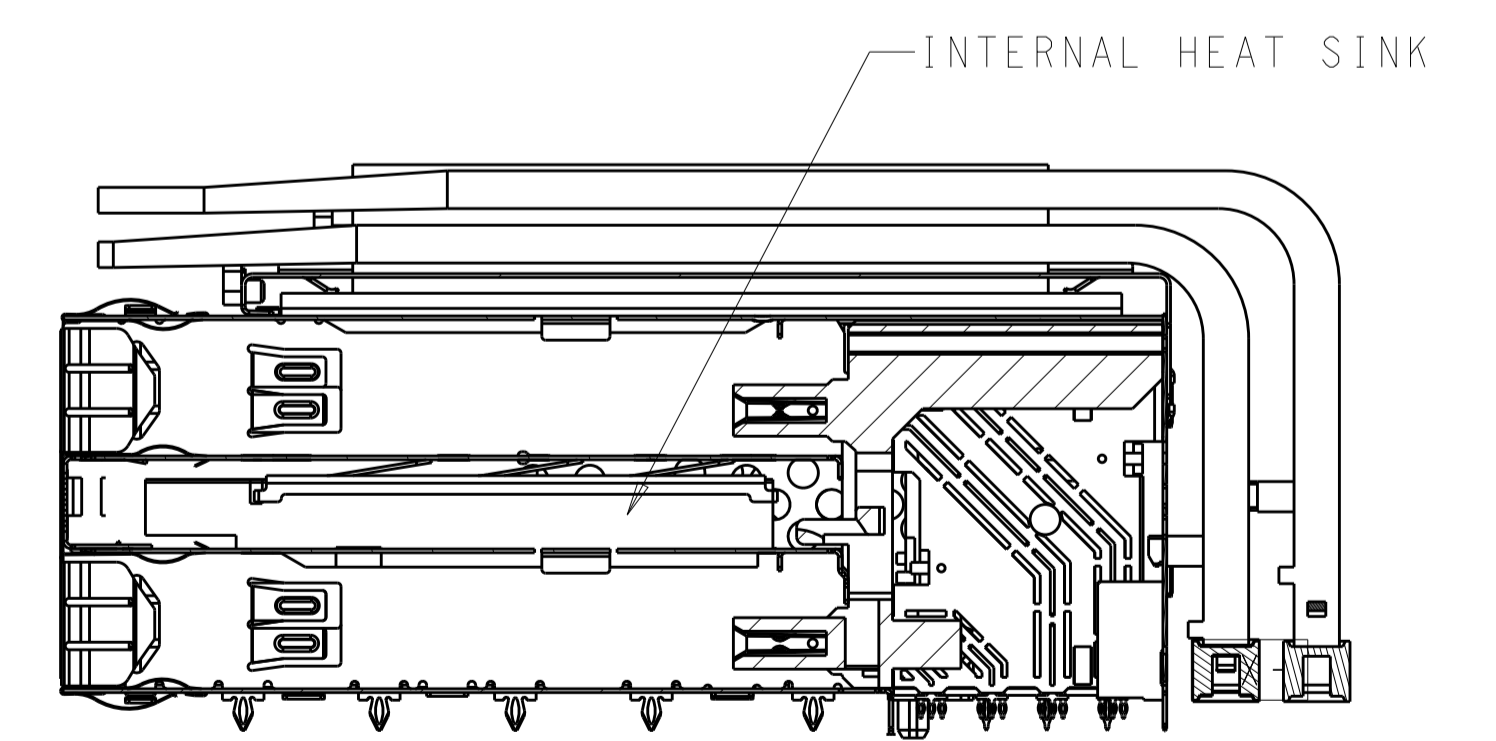


LONGER INTERLAYER HEAT SINK

2299924-5 SECTION VIEW
 THE SAME AS 2299924-1 EXCEPT THE LONGER INTER HEAT SINK
 SECTION V-V
 SCALE 2:1



2299924-7
 SCALE 2:1

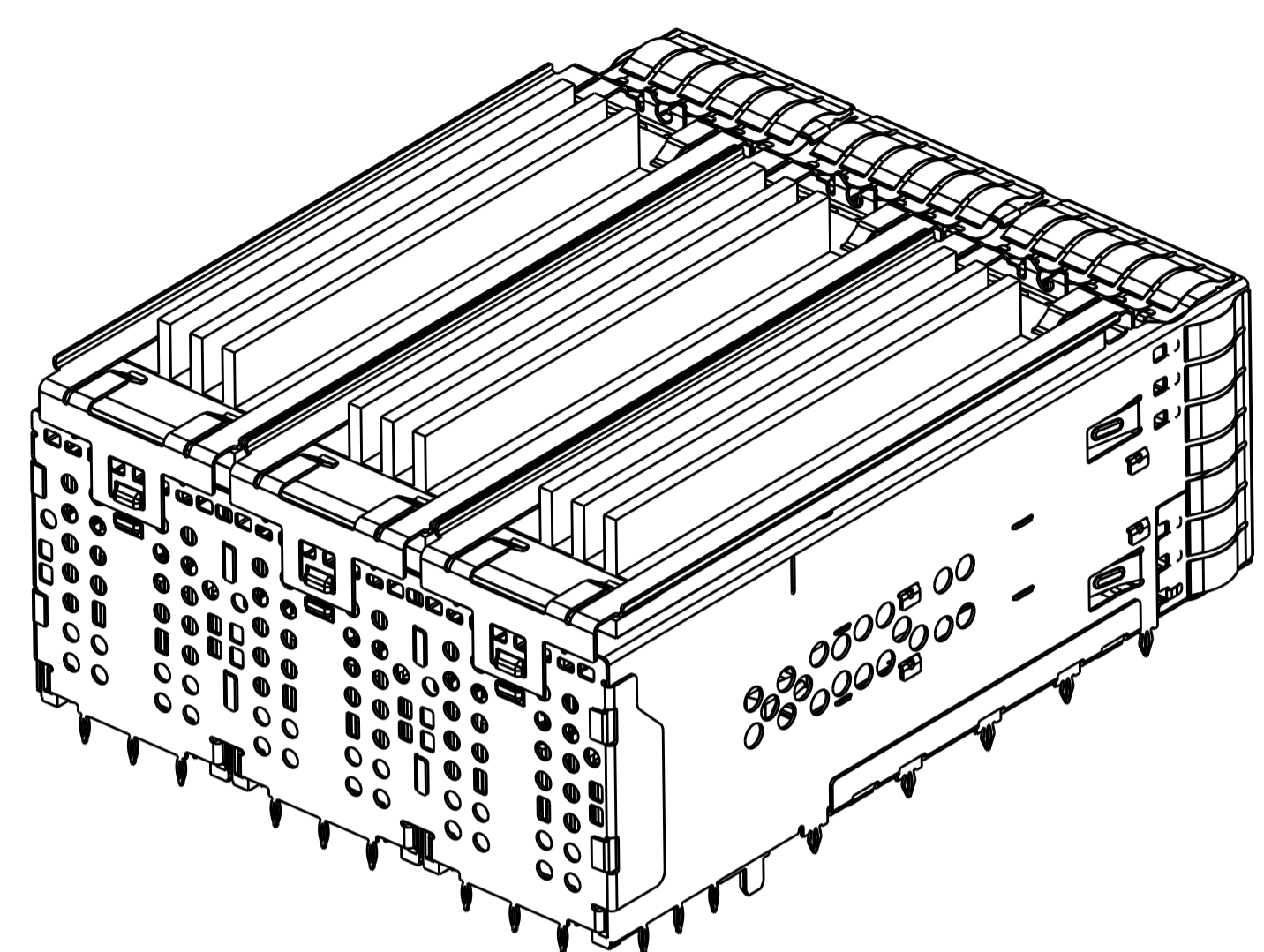


INTERNAL HEAT SINK

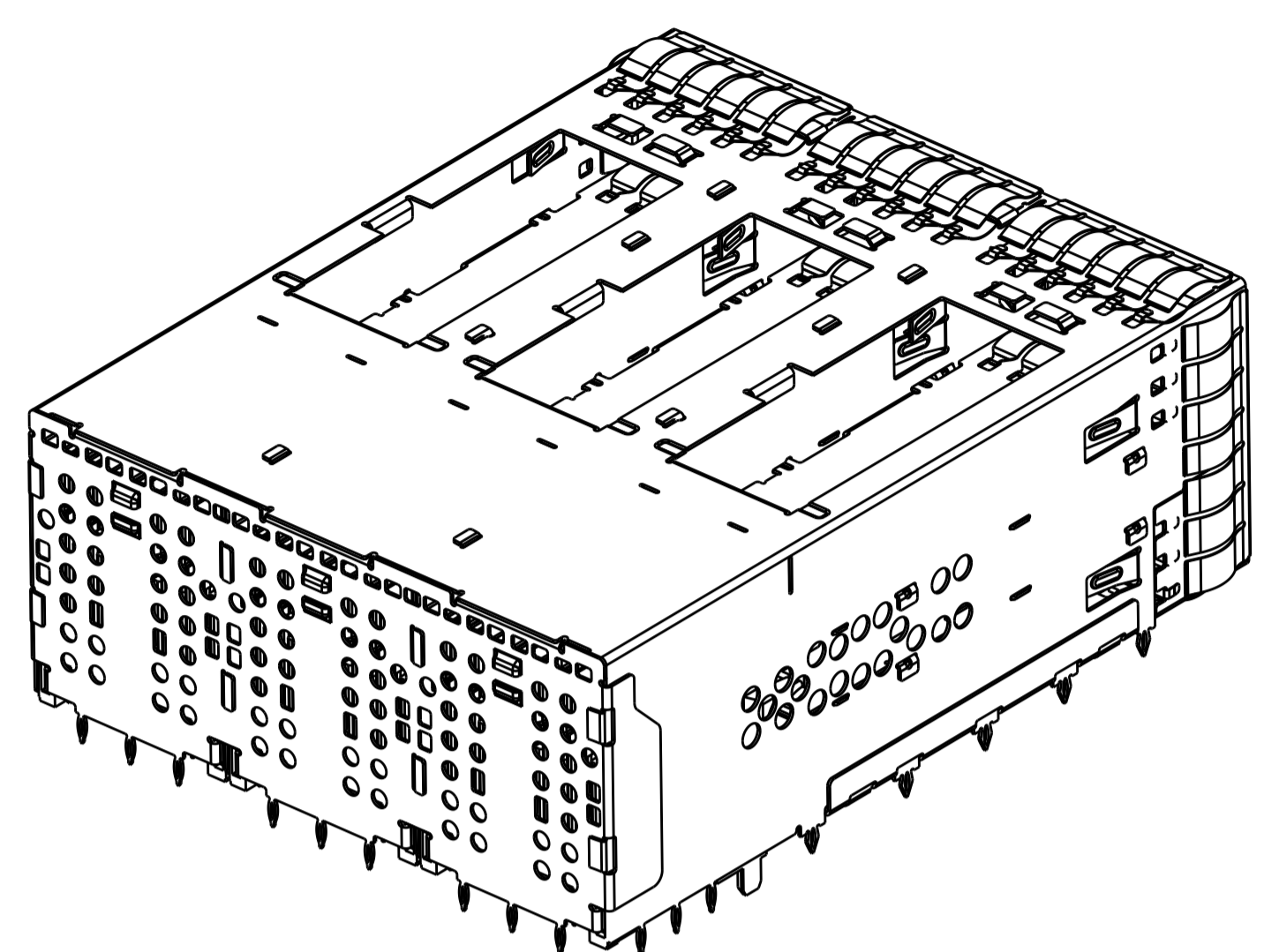
2299924-7
 SECTION V-V
 SCALE 2:1

| | | | |
|--|-------------|---------------------------|---|
| THIS DRAWING IS A CONTROLLED DOCUMENT. | | OWN: ARTHUR JIN 20JAN2016 | TE Connectivity |
| DIMENSIONS: | | CHK: SEAN HAN 20JAN2016 | |
| mm | 0 PLC ± | APVD: SEAN HAN 20JAN2016 | NAME: CAGE AND CONNECTOR ASSEMBLY WITH EMI SPRING FINGERS, THRU BEZEL, 2X3 ZOSFP+ STACKED WITH HS |
| | 1 PLC ±0.25 | PRODUCT SPEC | SIZE: CAGE CODE DRAWING NO. RESTRICTED TO |
| | 2 PLC ±0.15 | APPLICATION SPEC | A100779C=2299924 |
| MATERIAL: | 3 PLC ± | WEIGHT | SCALE: 1:1 SHEET 2 OF 9 REV F |
| FINISH: | 4 PLC ± | CUSTOMER DRAWING | |
| SEE NOTE 1 | ANGLES | | |
| SEE NOTE 2 | | | |

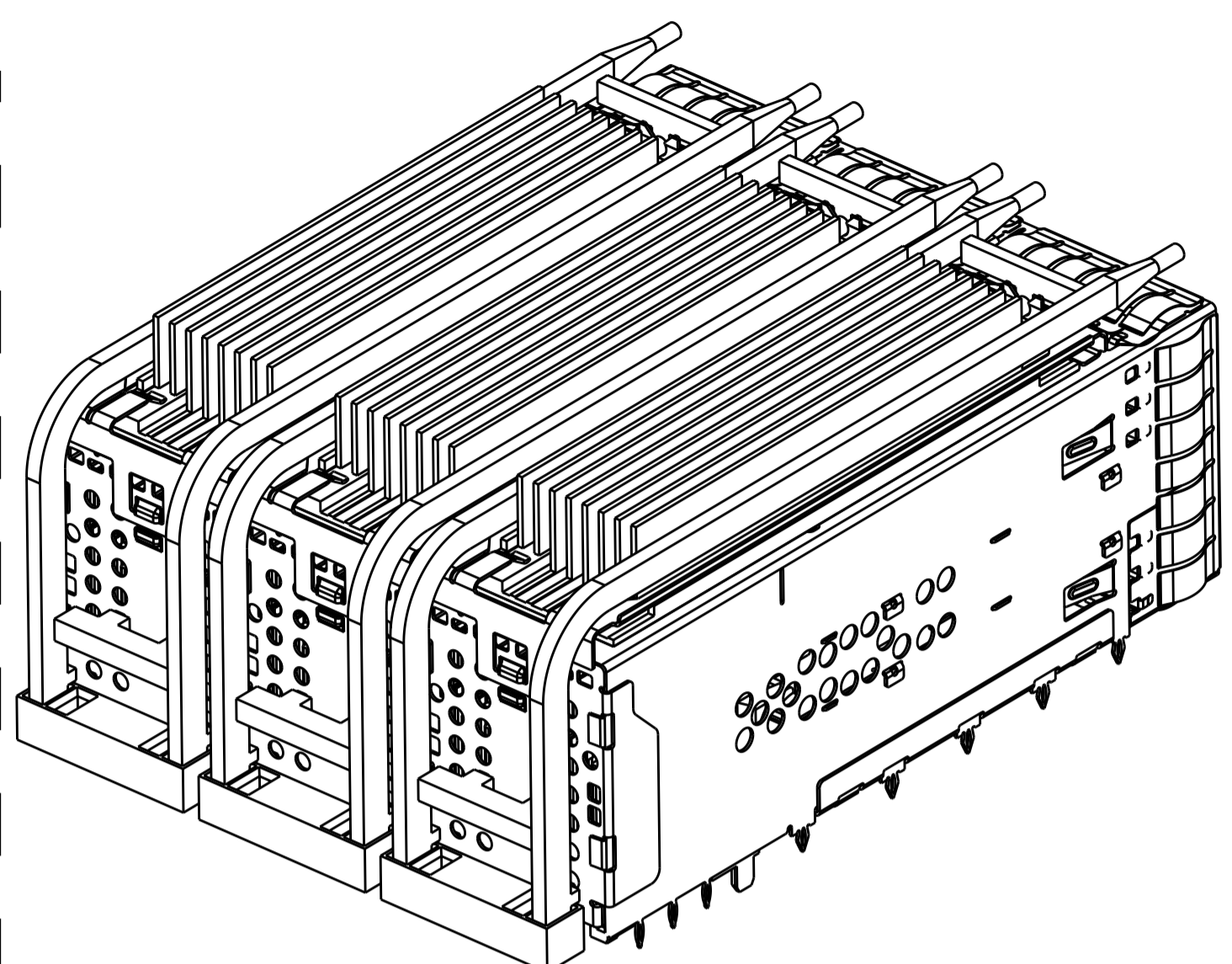
| LOC | DIST | REVISIONS | | | | | |
|-----|------|-----------|-----|-------------|------|-----|------|
| GP | 00 | P | LYR | DESCRIPTION | DATE | OWN | APVD |
| | | - | | SEE SHEET 1 | | | |



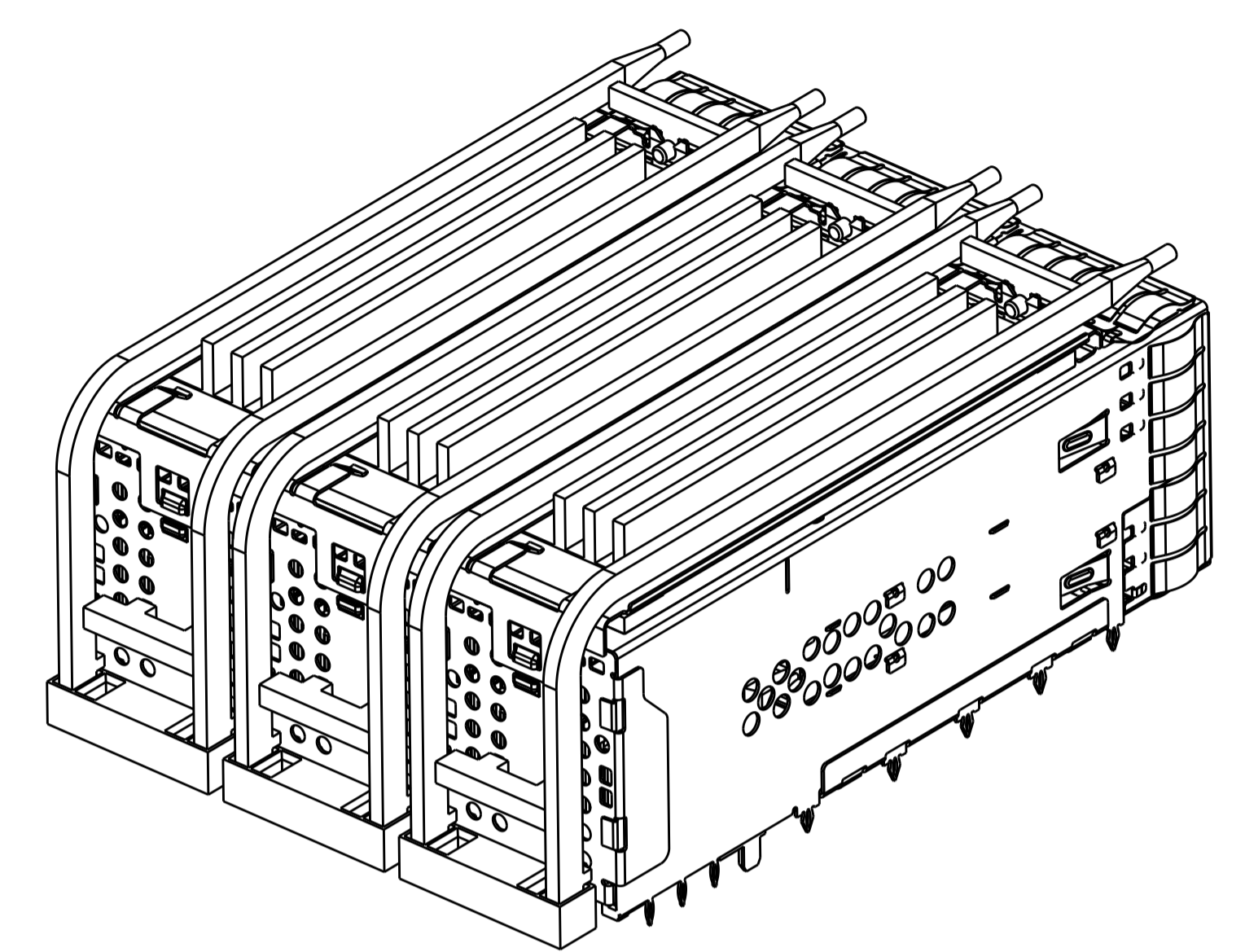
2299924-2 AS SHOWN
 THE SAME AS 2299924-5 EXCEPT
 W/O LIGHT PIPE AND ORGANIZER
 SCALE 2:1



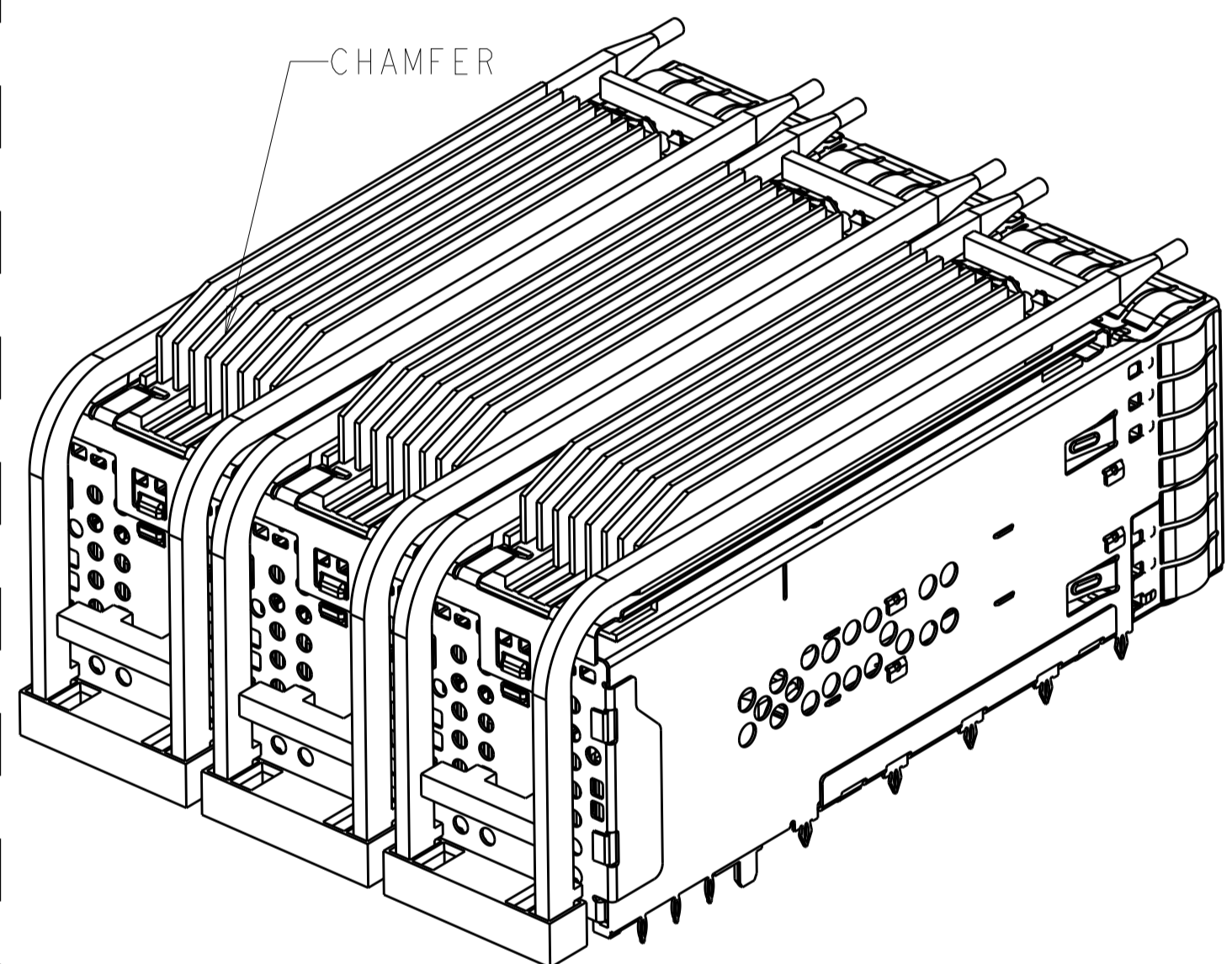
2299924-4 AS SHOWN
 THE SAME AS 2299924-2 EXCEPT
 WITHOUT EXTERNAL HEAT SINK AND LP
 SCALE 2:1



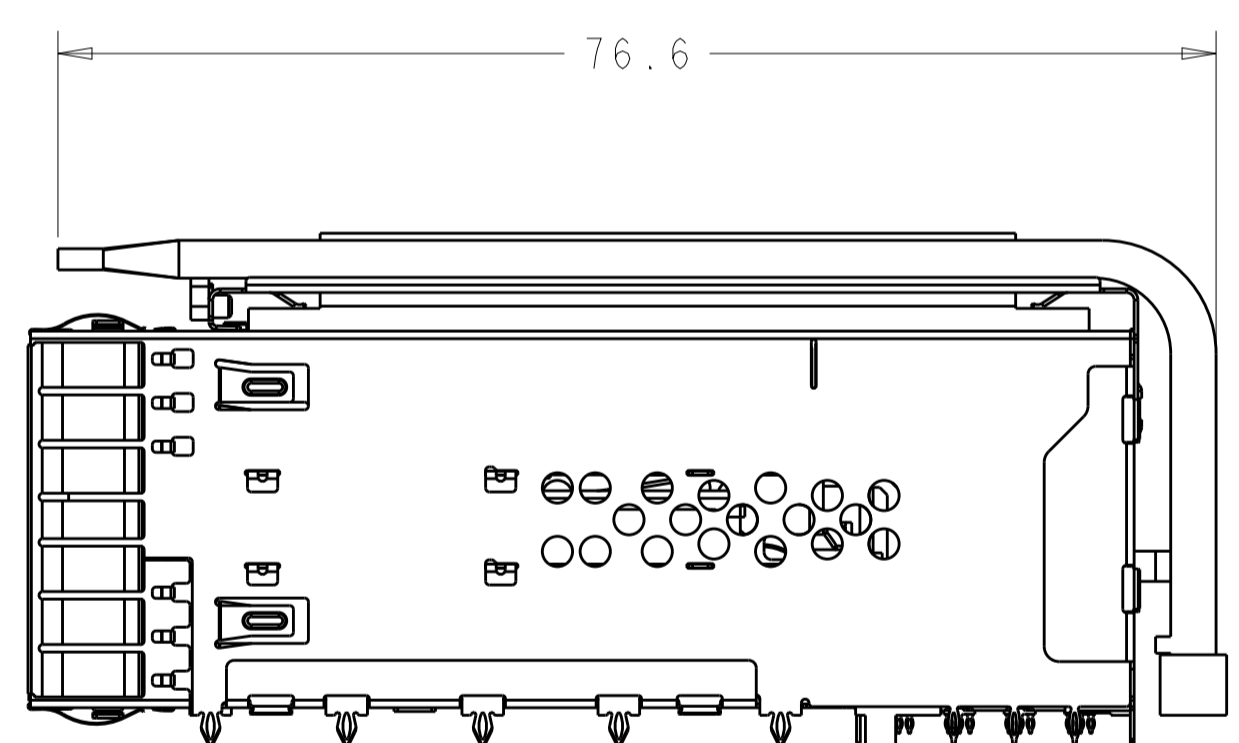
2299924-6
 SCALE 2:1



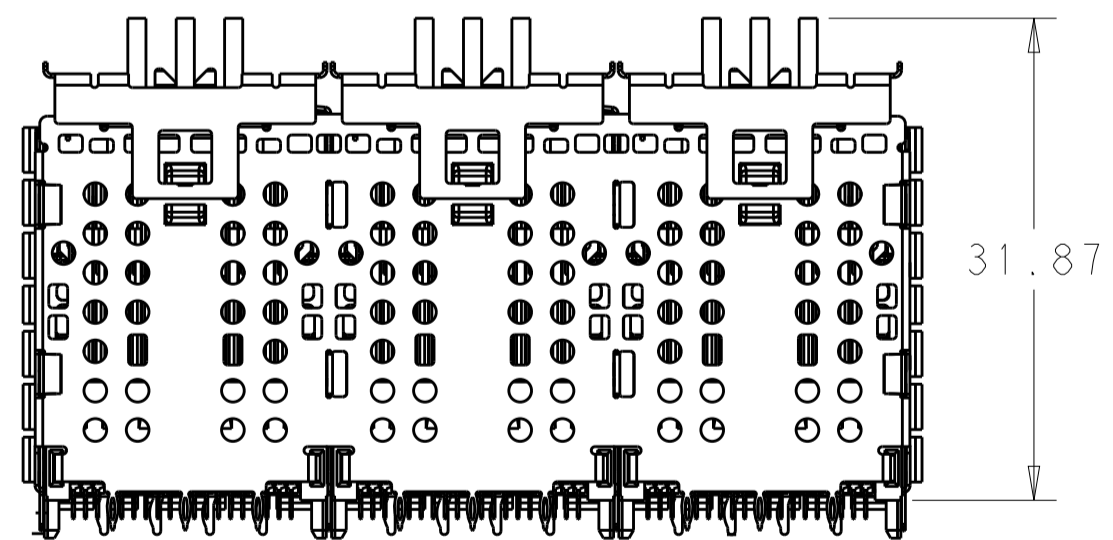
1-2299924-0
 SCALE 2:1



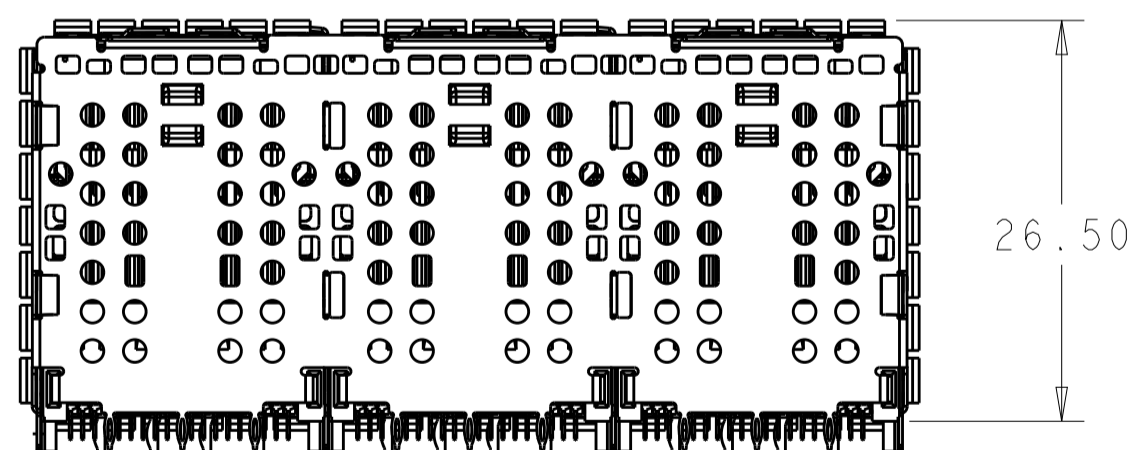
1-2299924-6
 2-2299924-6
 3-2299924-6
 SCALE 2:1



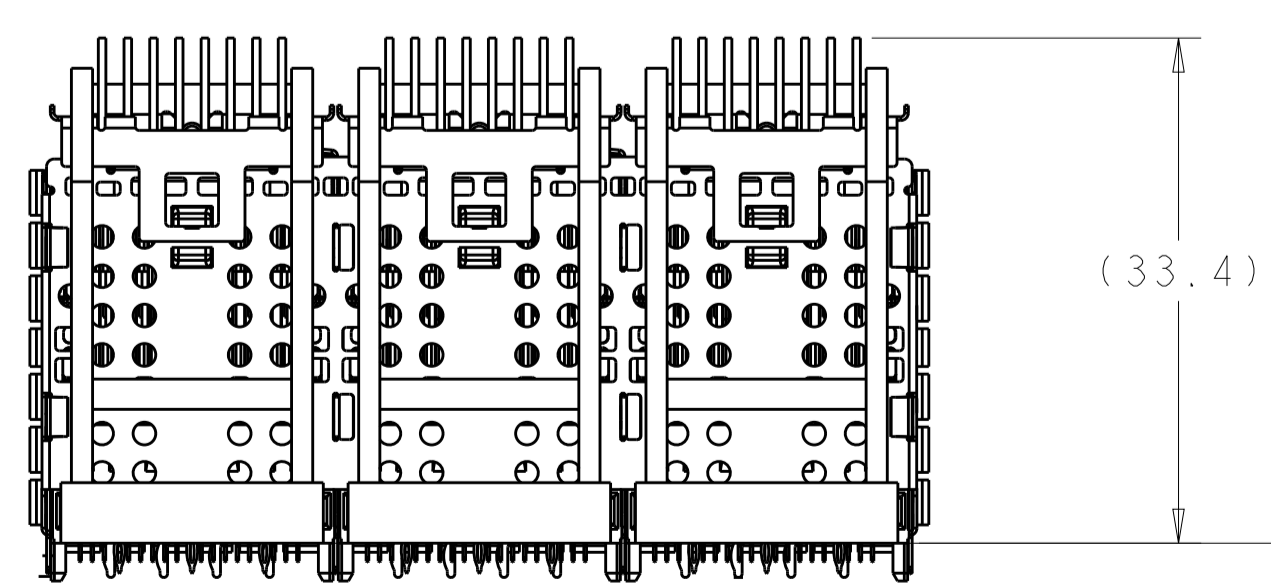
SCALE 2:1



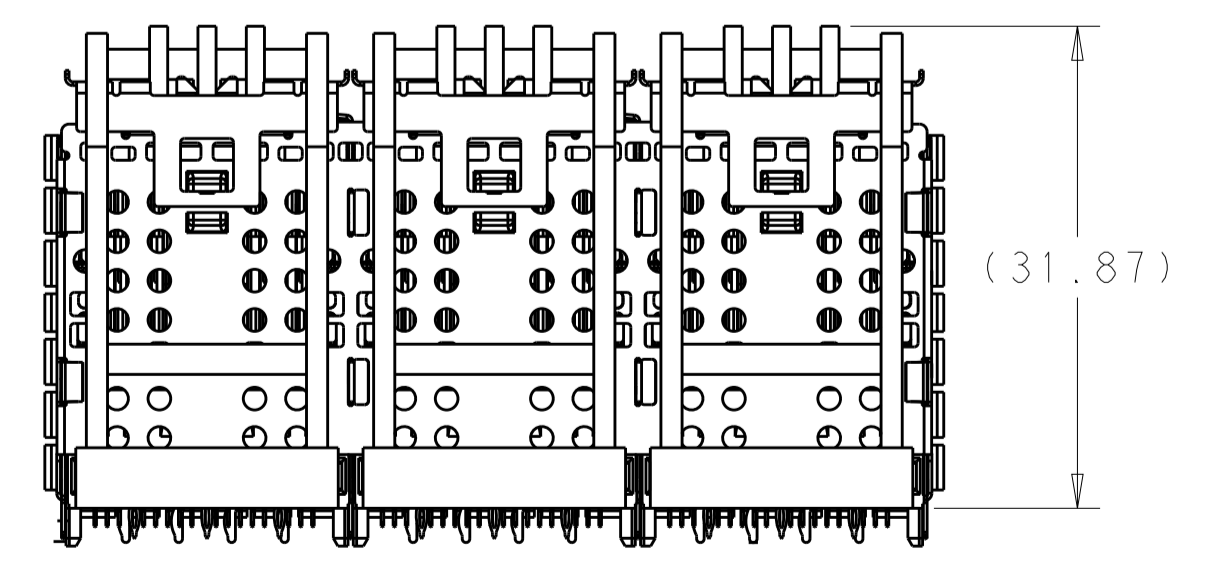
2299924-2
 SCALE 2:1



2299924-4
 SCALE 2:1



2299924-6
 1-2299924-6
 2-2299924-6
 3-2299924-6
 SCALE 2:1

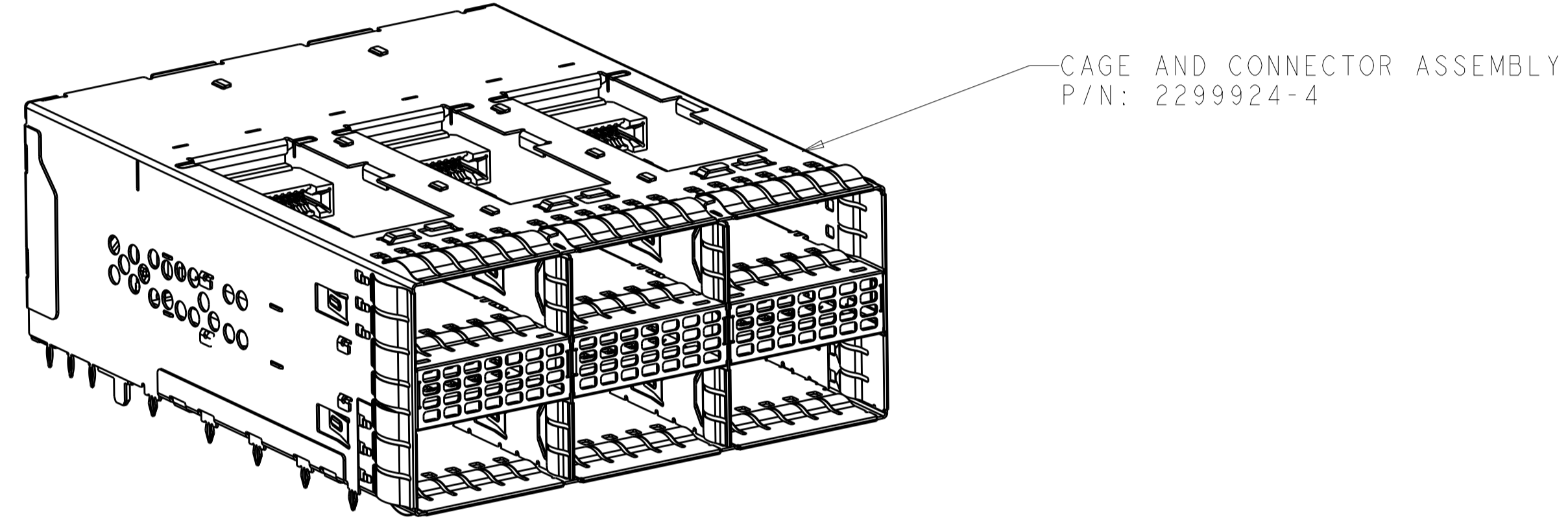
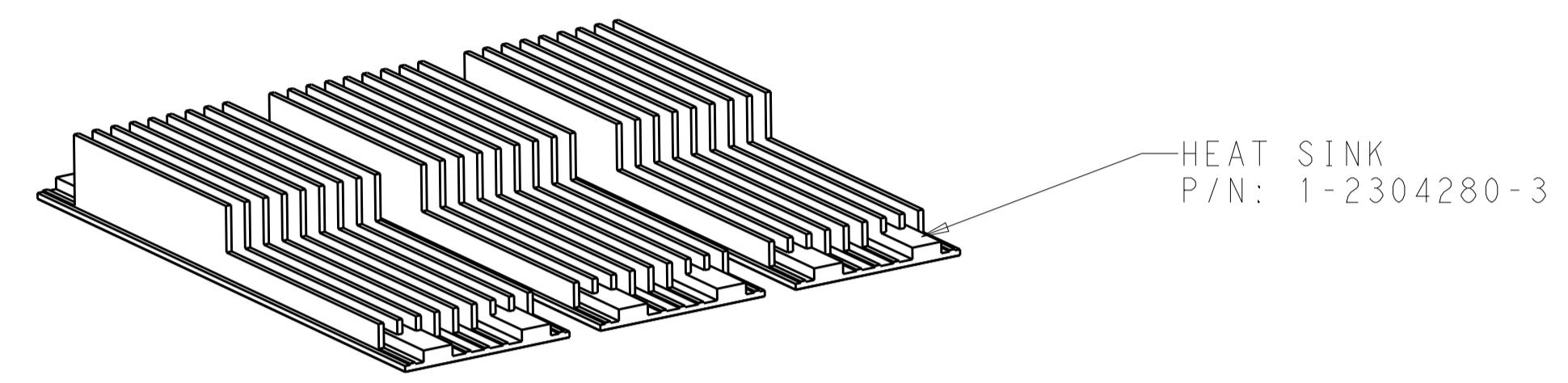
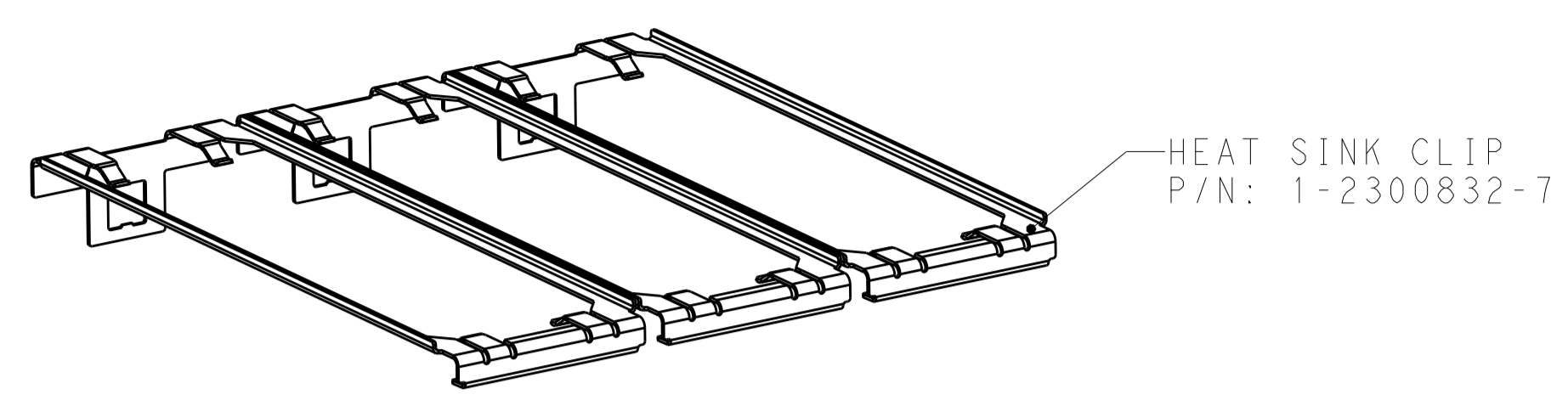


SCALE 2:1

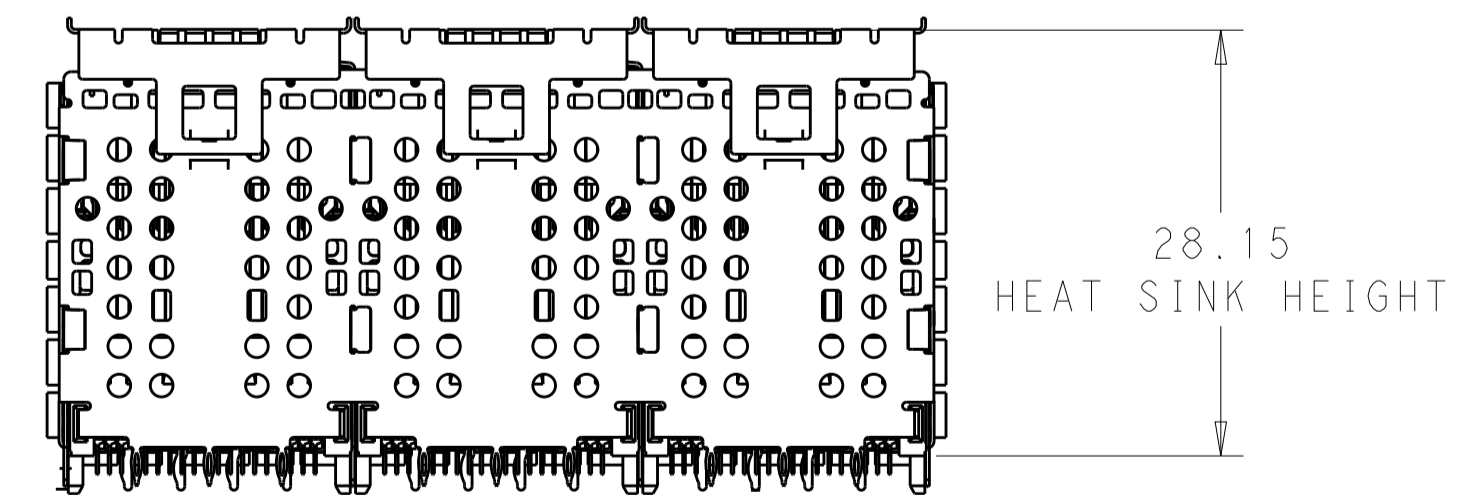
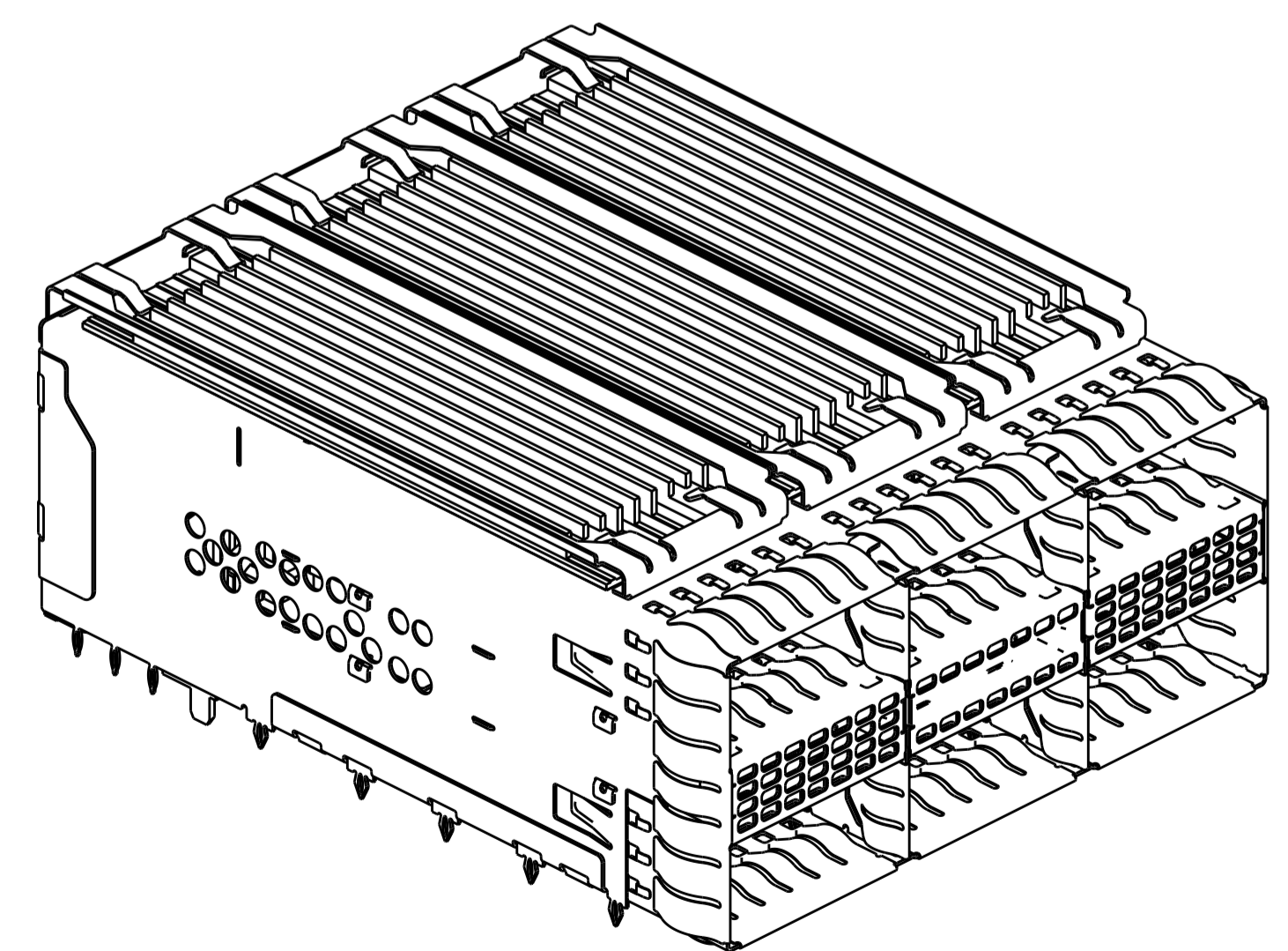
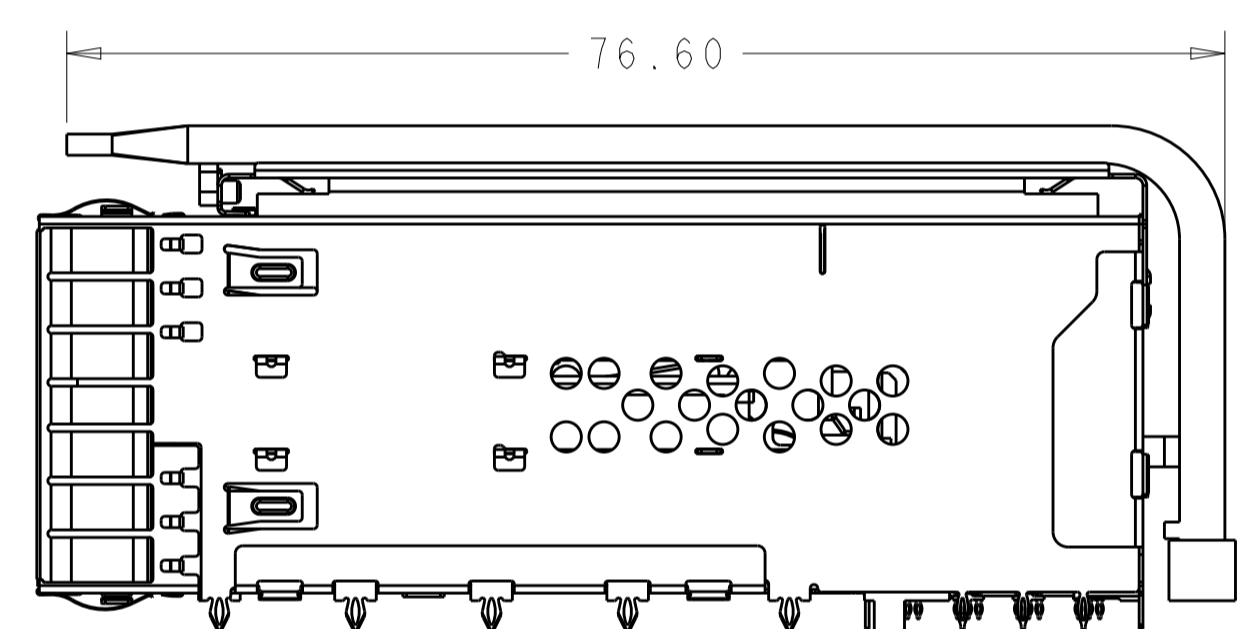
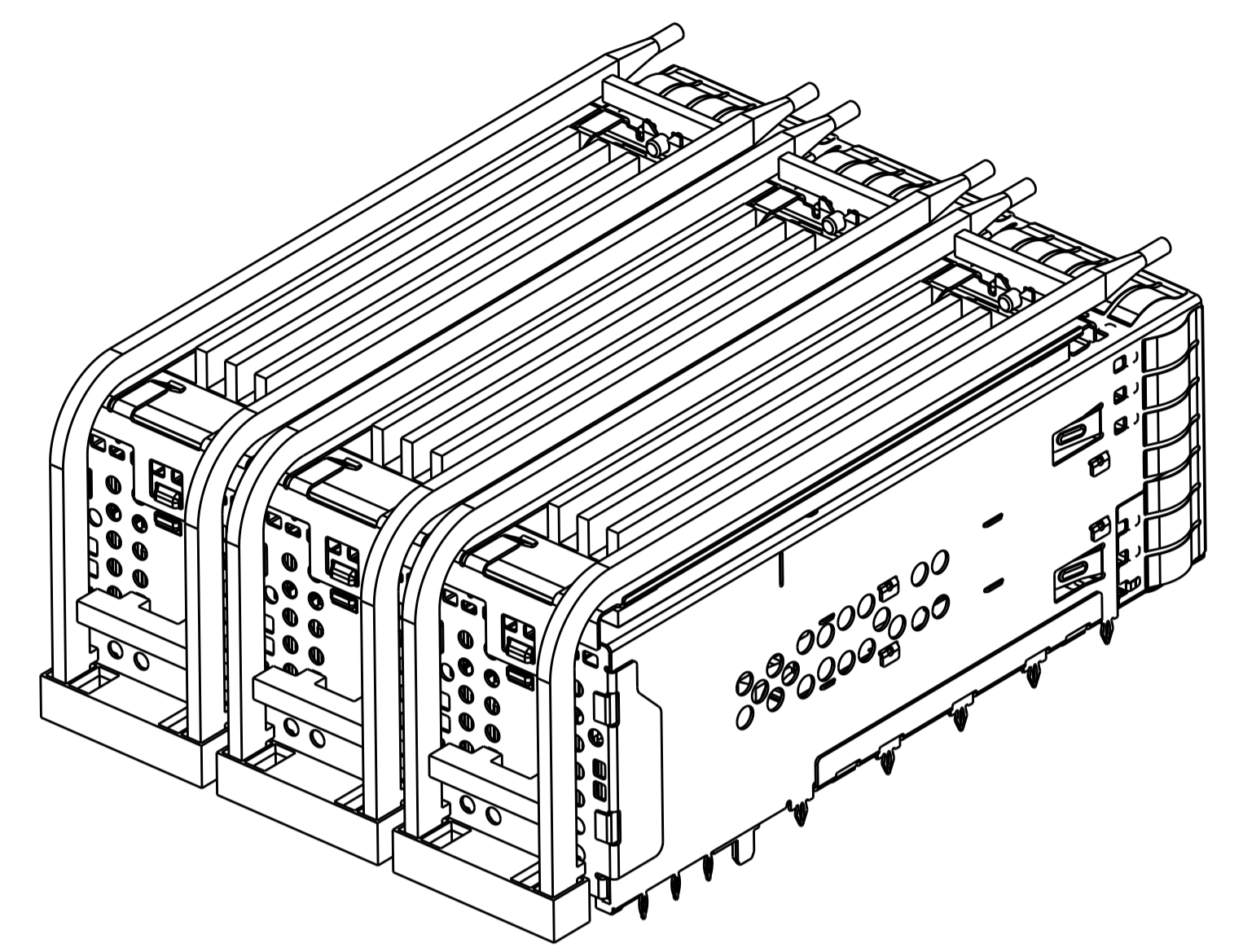
| | | | |
|--|--------------------|---------------------------|---|
| THIS DRAWING IS A CONTROLLED DOCUMENT. | | OWN: ARTHUR JIN 20JAN2016 | TE Connectivity |
| DIMENSIONS: mm | | CHK: SEAN HAN 20JAN2016 | |
| TOLERANCES UNLESS OTHERWISE SPECIFIED: | | APVD: SEAN HAN 20JAN2016 | NAME: CAGE AND CONNECTOR ASSEMBLY WITH EMI SPRING FINGERS, THRU BEZEL, 2X3 ZOSFP+ STACKED WITH HS |
| 0 PLC ± | 1 PLC ±0.25 | PRODUCT SPEC | SIZE: A100779C=2299924 |
| 2 PLC ±0.15 | 3 PLC ± | APPLICATION SPEC | RESTRICTED TO |
| 4 PLC ± | ANGLES ± | WEIGHT | SCALE: 1:1 SHEET 3 OF 9 REV F |
| MATERIAL: SEE NOTE 1 | FINISH: SEE NOTE 2 | CUSTOMER DRAWING | |

| LOC | DIST | REVISIONS | | | | | |
|-----|------|-----------|-----|-------------|------|-----|------|
| GP | 00 | P | LTN | DESCRIPTION | DATE | OWN | APVD |
| - | - | - | - | SEE SHEET 1 | - | - | - |

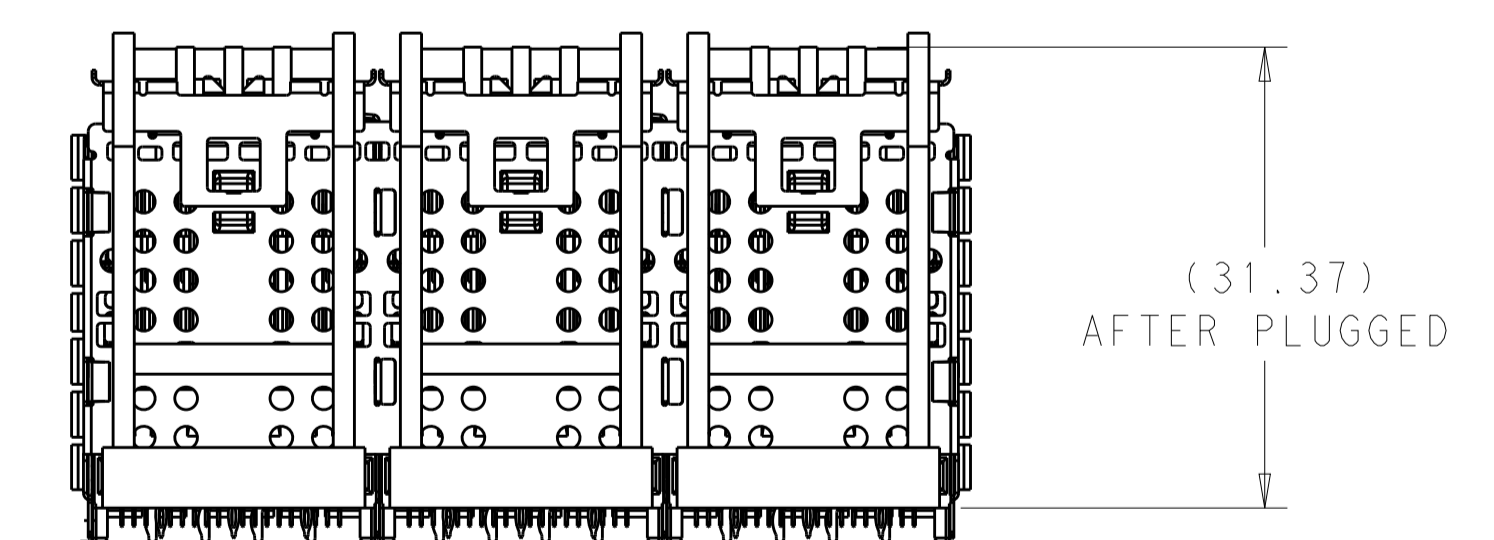
2299924-3 AS SHOWN, KIT PACKAGE



SCALE 2:1



1-2299924-3 AS SHOWN
SCALE 2:1



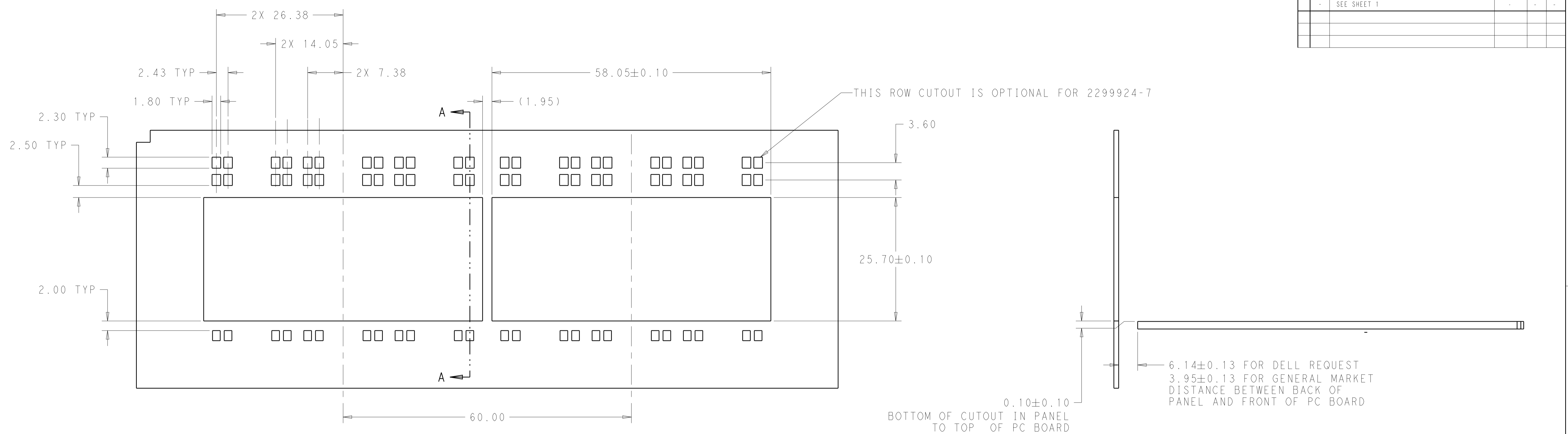
2299924-8 AS SHOWN
SCALE 2:1

| | | | |
|-----------|-------------|-----------------------------|------|
| 3 | 1-2300832-7 | HEAT SINK CLIP | 3 |
| 3 | 1-2304280-3 | HEAT SINK | 2 |
| 1 | 2299924-4 | CAGE AND CONNECTOR ASSEMBLY | 1 |
| 2299924-3 | PART NUMBER | DESCRIPTION | ITEM |

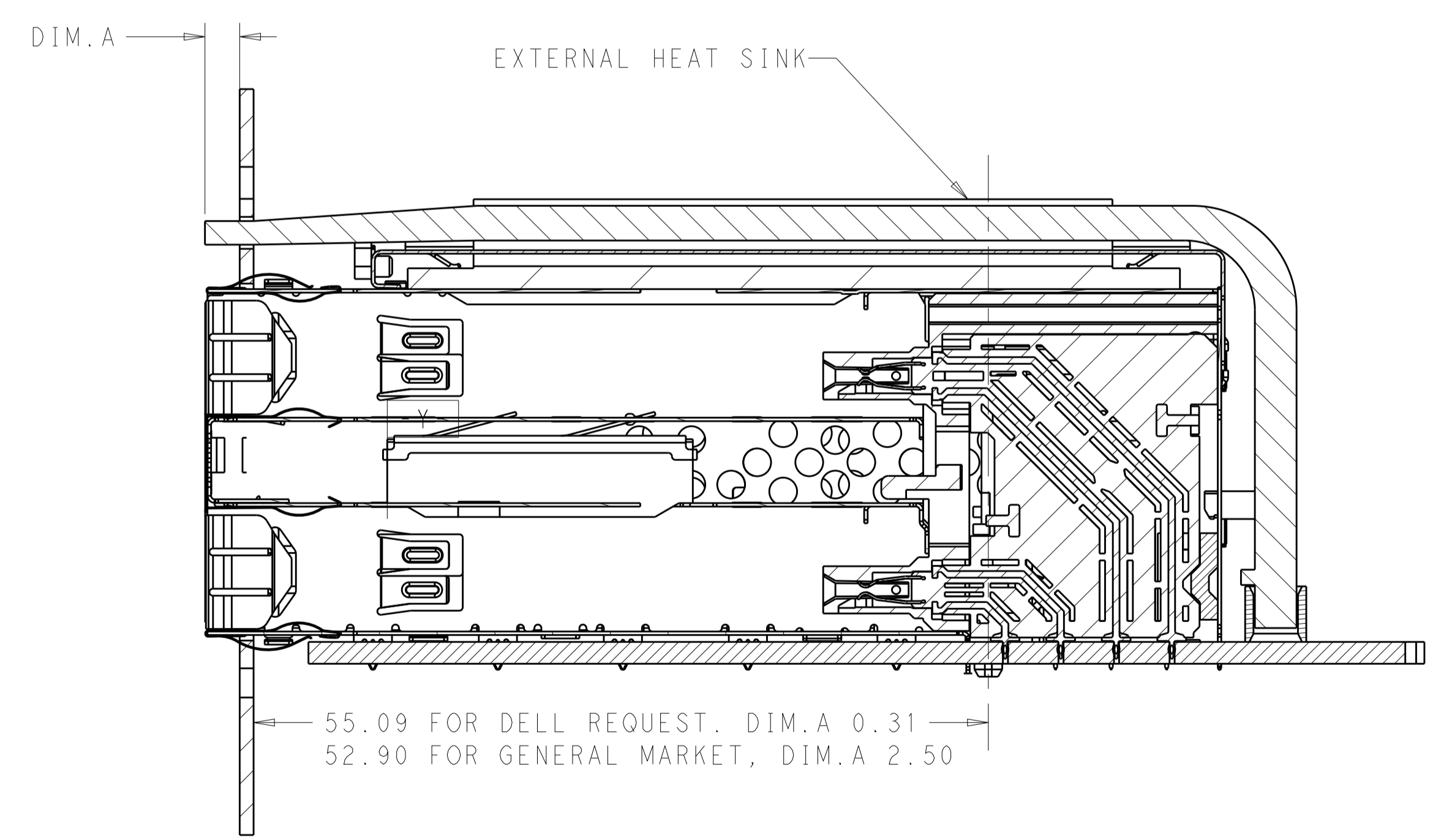
| | | | |
|--|--------------------|---------------------------|---|
| THIS DRAWING IS A CONTROLLED DOCUMENT. | | OWN: ARTHUR JIN 20JAN2016 | TE Connectivity |
| DIMENSIONS: mm | | CHK: SEAN HAN 20JAN2016 | |
| TOLERANCES UNLESS OTHERWISE SPECIFIED: | | APVD: SEAN HAN 20JAN2016 | NAME: CAGE AND CONNECTOR ASSEMBLY WITH EMI SPRING FINGERS, THRU BEZEL, 2X3 ZOSFP+ STACKED WITH HS |
| 0 PLC ± | 1 PLC ±0.25 | PRODUCT SPEC | SIZE: CAGE CODE DRAWING NO. RESTRICTED TO |
| 2 PLC ±0.15 | 3 PLC ± | APPLICATION SPEC | A100779C=2299924 |
| 4 PLC ± | ANGLES ± | WEIGHT | SCALE 1:1 SHEET 4 OF 9 REV F |
| MATERIAL: SEE NOTE 1 | FINISH: SEE NOTE 2 | CUSTOMER DRAWING | |

| LOC | DIST | REV | DATE | BY | APPV |
|-----|------|-----|------|----|------|
| GP | 00 | | | | |

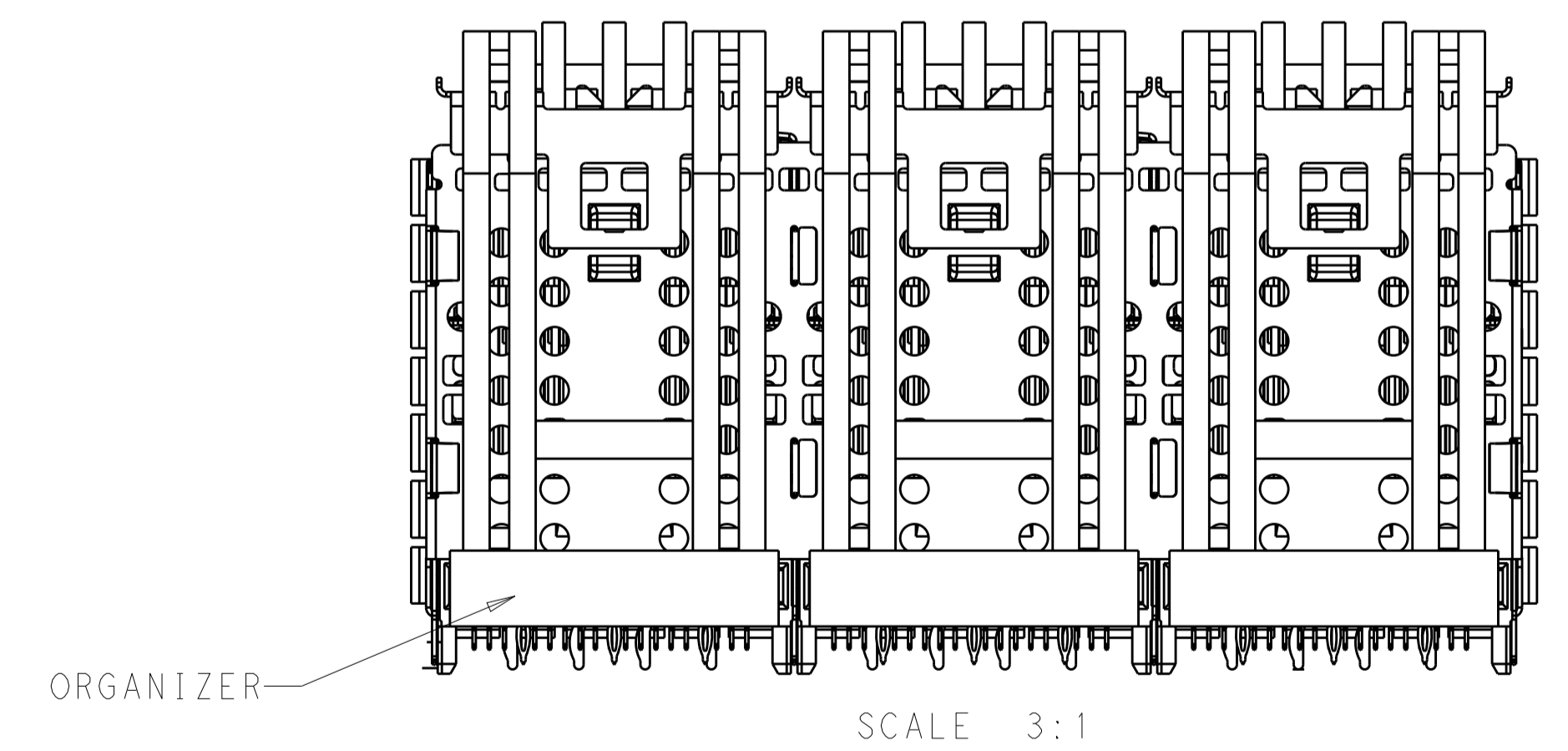
| REVISIONS | | | | | |
|-----------|-------------|------|----|------|---|
| NO. | DESCRIPTION | DATE | BY | APPV | |
| - | SEE SHEET 1 | - | - | - | - |



RECOMMENDED PANEL CUTOUT
 AND PC BOARD, PANEL POSITION
 SCALE 5:2



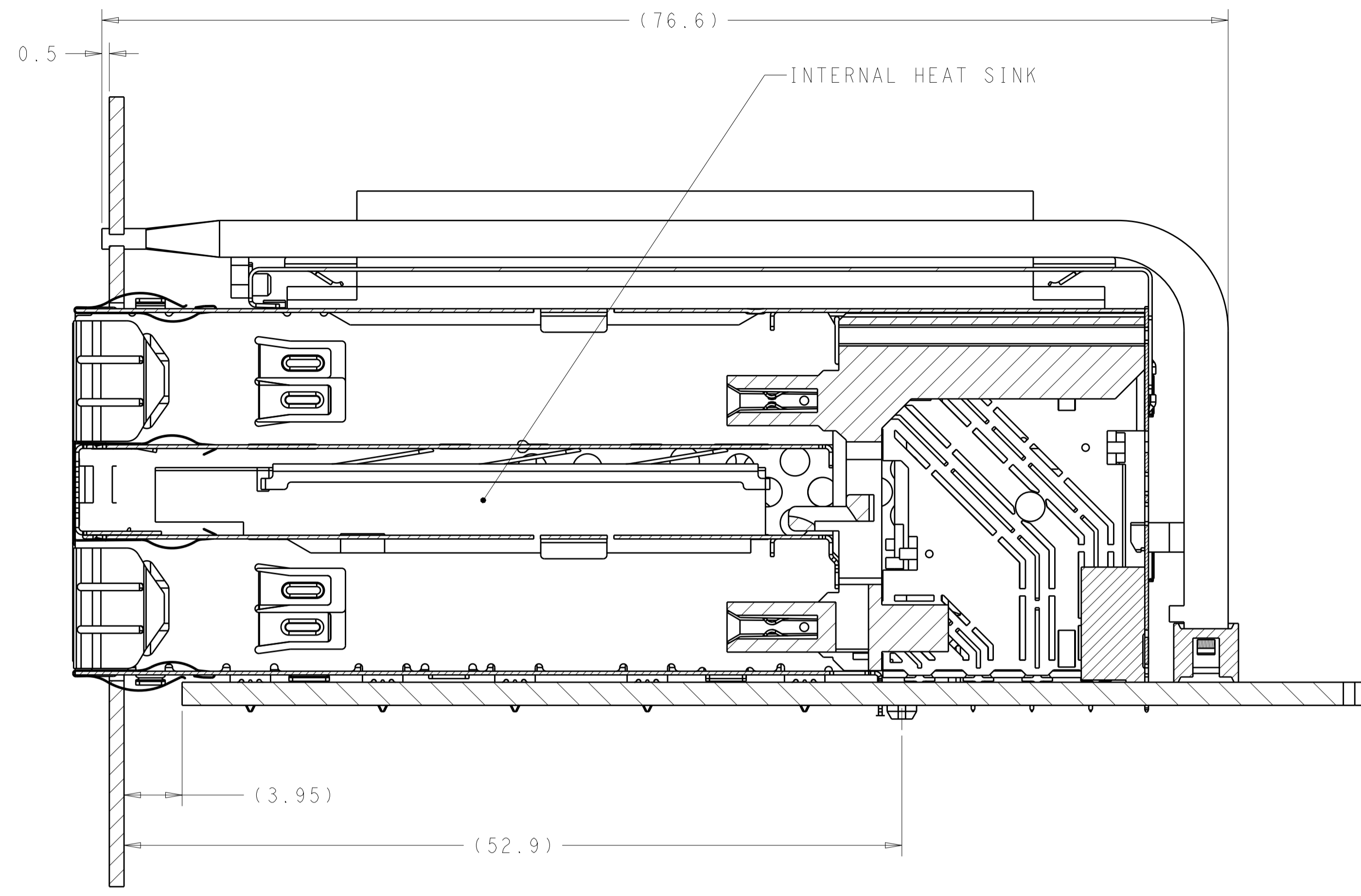
SECTION A-A
 SCALE 3:1



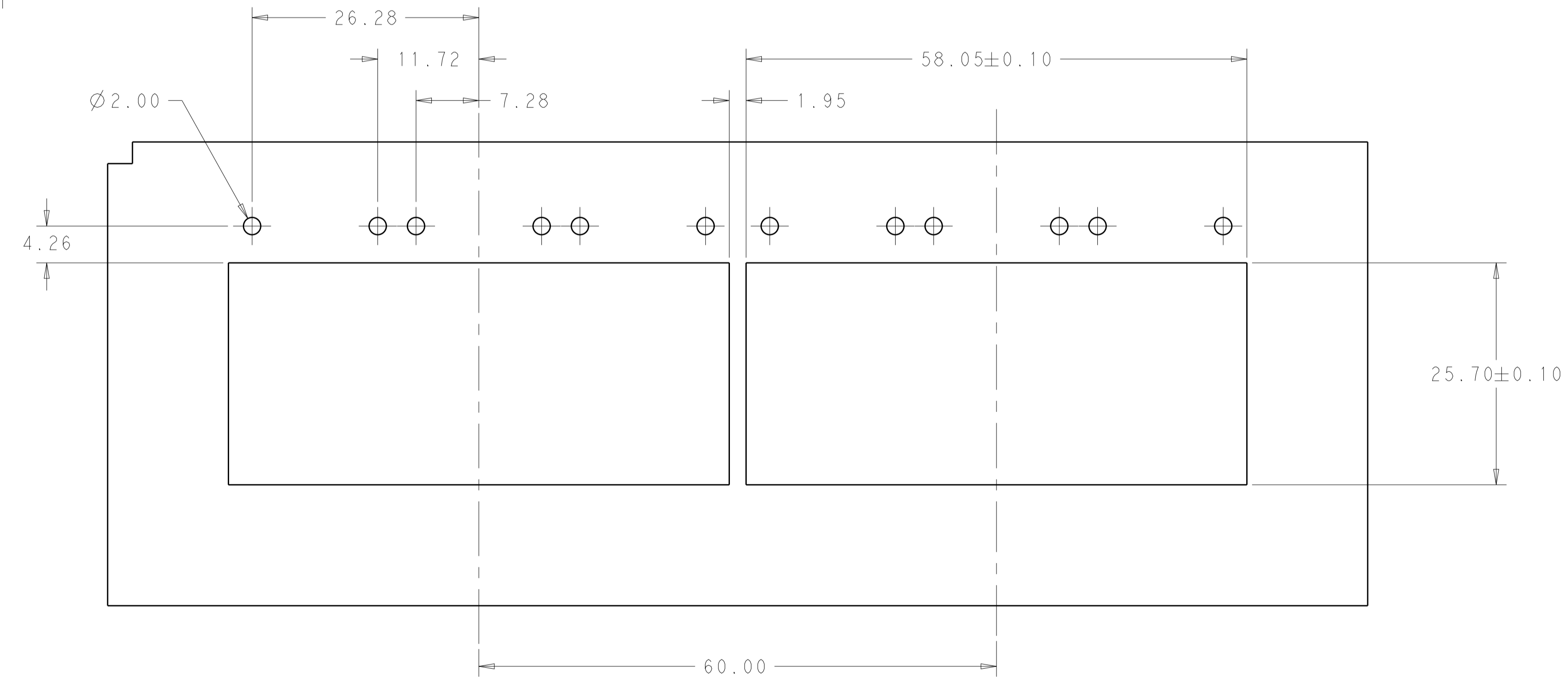
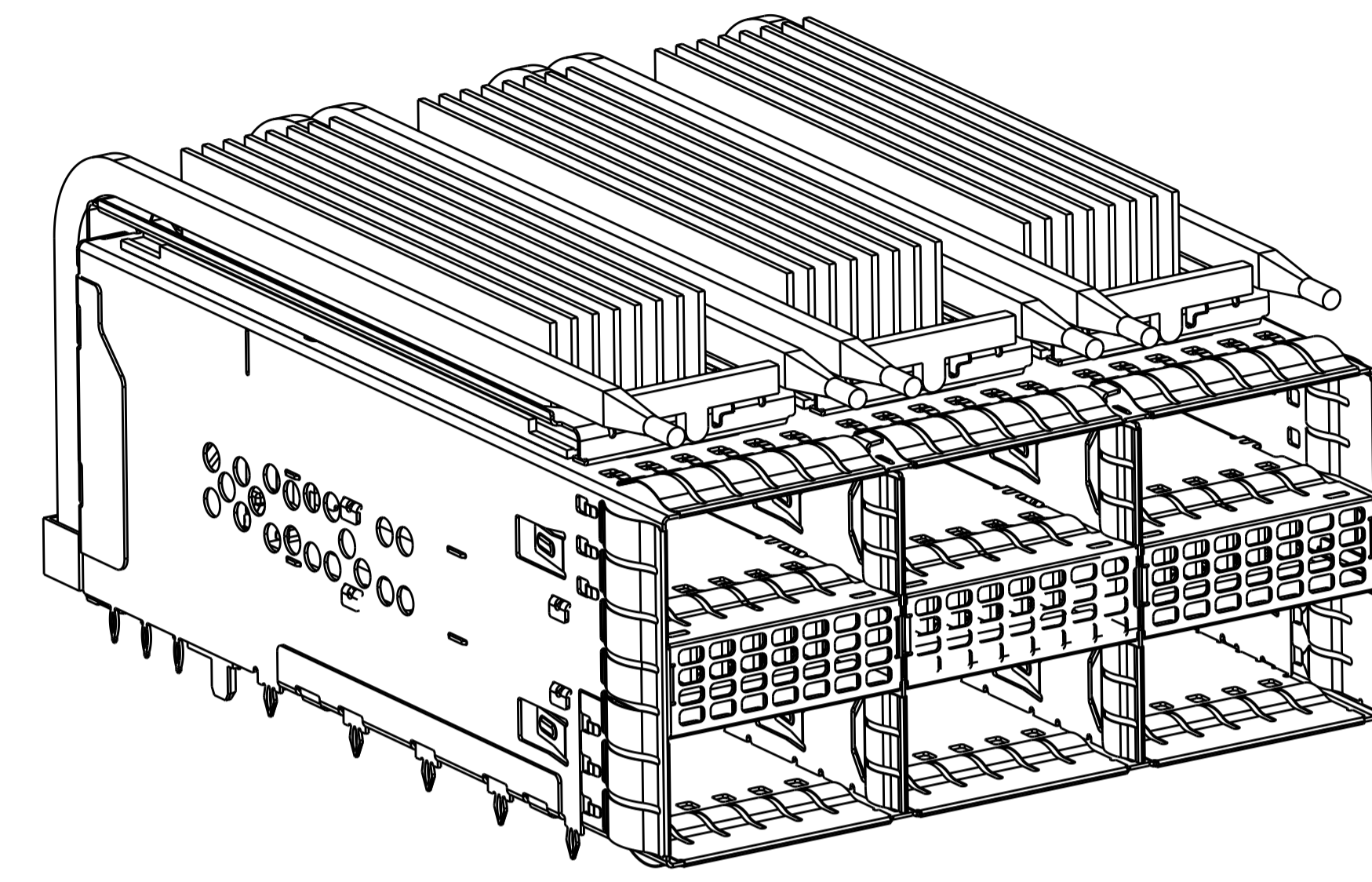
SCALE 3:1

| | | | |
|--|--------------------|---------------------------|---|
| THIS DRAWING IS A CONTROLLED DOCUMENT. | | OWN: ARTHUR JIH 20JAN2016 | TE Connectivity |
| DIMENSIONS: mm | | CHK: SEAN HAN 20JAN2016 | |
| TOLERANCES UNLESS OTHERWISE SPECIFIED: | | APPV: SEAN HAN 20JAN2016 | NAME: CAGE AND CONNECTOR ASSEMBLY WITH EMI SPRING FINGERS, THRU BEZEL, 2X3 ZOSFP+ STACKED WITH HS |
| 0 PLC ± | 1 PLC ±0.25 | PRODUCT SPEC | SIZE: CAGE CODE DRAWING NO. RESTRICTED TO |
| 2 PLC ±0.15 | 3 PLC ± | APPLICATION SPEC | A100779C=2299924 |
| 4 PLC ± | ANGLES ± | WEIGHT | SCALE 1:1 SHEET 5 OF 9 REV F |
| MATERIAL: SEE NOTE 1 | FINISH: SEE NOTE 2 | CUSTOMER DRAWING | |

| LOC | DIST | REVISIONS | | | |
|-----|------|-------------|------|-----|------|
| P | LTN | DESCRIPTION | DATE | OWN | APVD |
| GP | 00 | SEE SHEET 1 | | | |



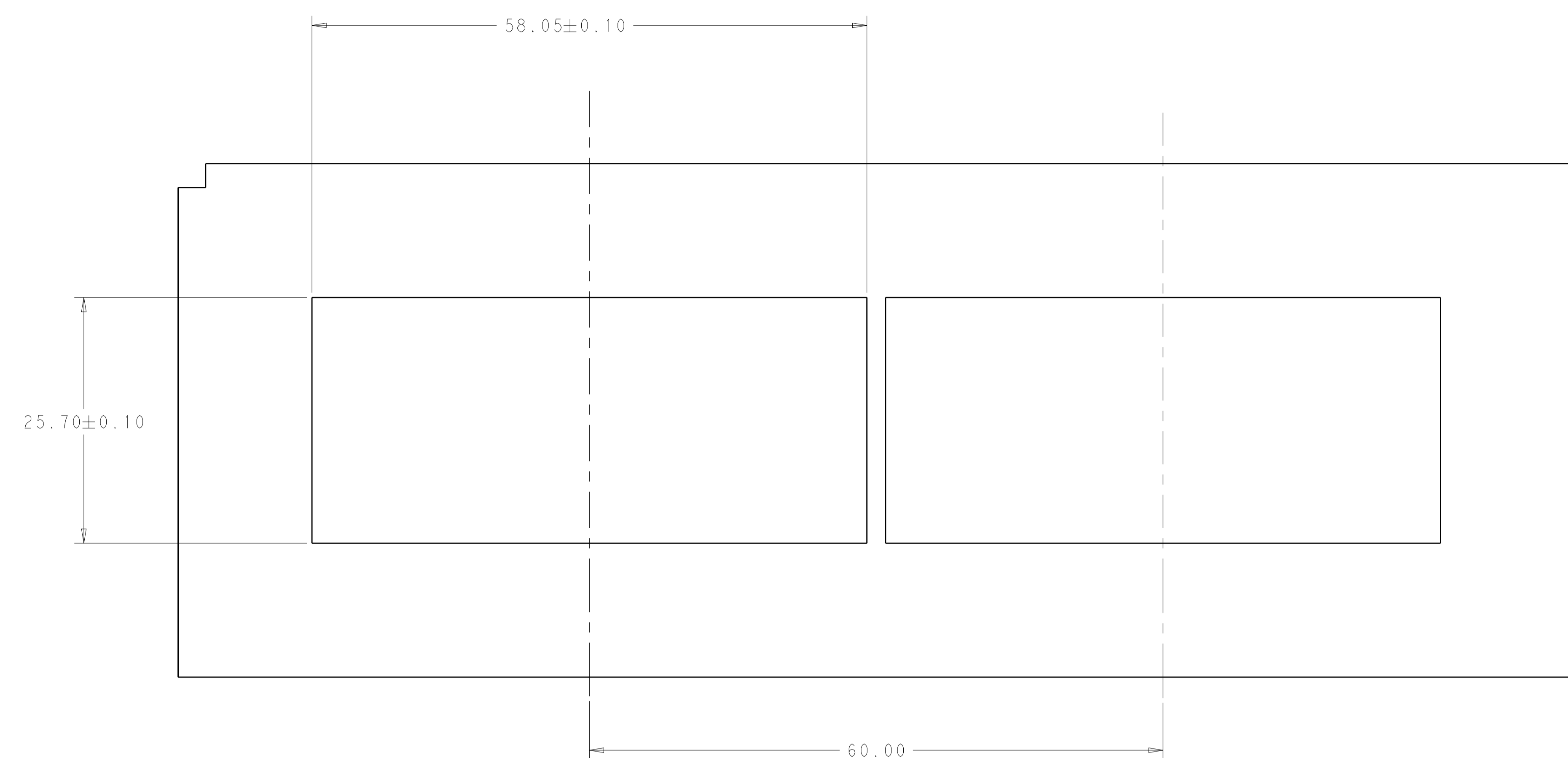
2299924-6
 1-2299924-6
 SECTION V-V
 SCALE 4:1



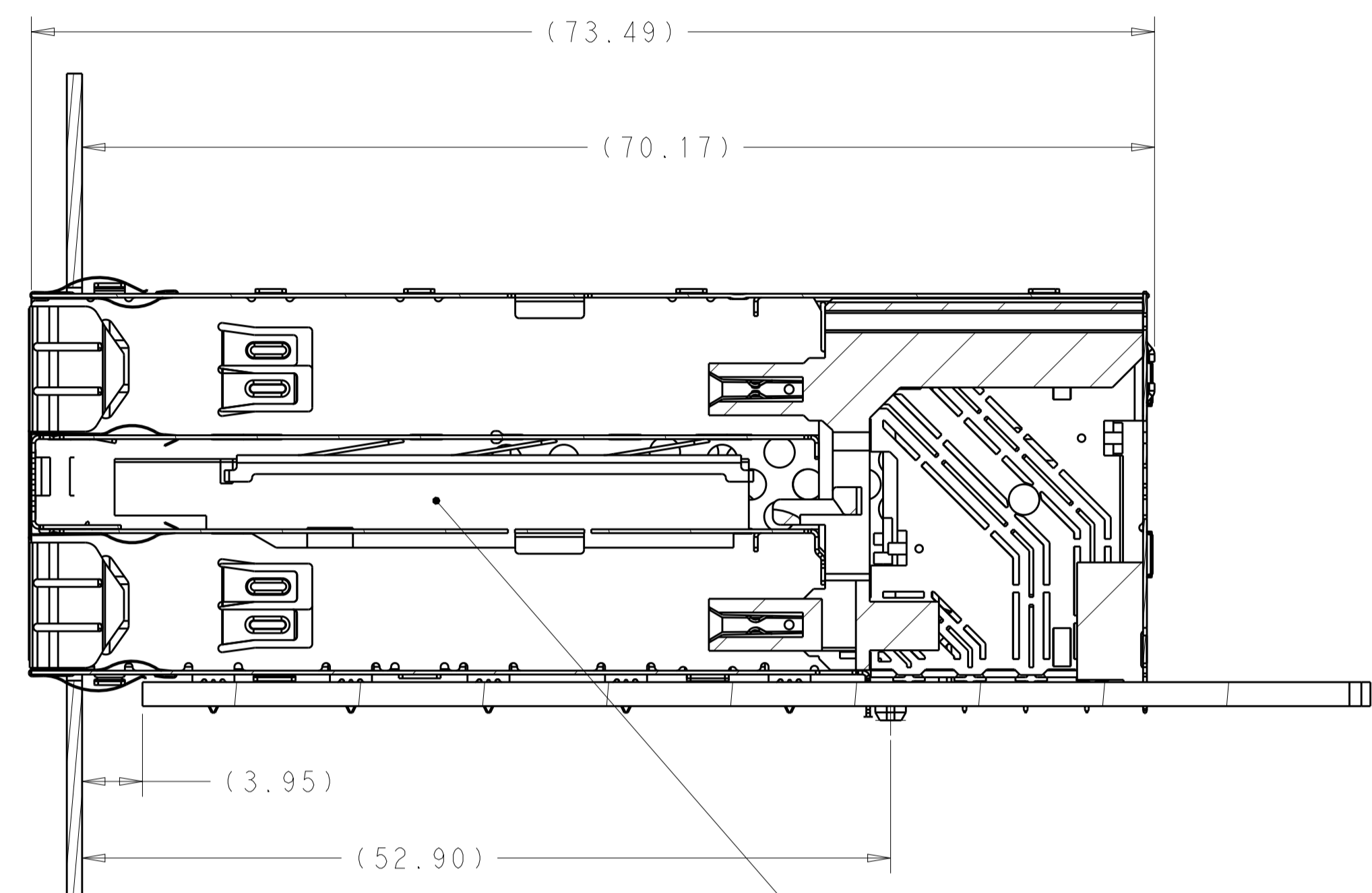
2299924-6
 1-2299924-0
 1-2299924-6
 2-2299924-6
 3-2299924-6
 RECOMMENDED PANEL CUTOUT
 SCALE 5:2

| | | | |
|--|--------------------|---------------------------|---|
| THIS DRAWING IS A CONTROLLED DOCUMENT. | | OWN: ARTHUR JIN 20JAN2016 | TE Connectivity |
| DIMENSIONS: mm | | CHK: SEAN HAN 20JAN2016 | |
| TOLERANCES UNLESS OTHERWISE SPECIFIED: | | APVD: SEAN HAN 20JAN2016 | NAME: CAGE AND CONNECTOR ASSEMBLY WITH EMI SPRING FINGERS, THRU BEZEL, 2X3 ZOSFP+ STACKED WITH HS |
| 0 PLC ± | 1 PLC ±0.25 | PRODUCT SPEC | SIZE: A100779 |
| 2 PLC ±0.15 | 3 PLC ± | APPLICATION SPEC | CAGE CODE: 2299924 |
| 4 PLC ± | ANGLES ± | WEIGHT | RESTRICTED TO |
| MATERIAL: SEE NOTE 1 | FINISH: SEE NOTE 2 | CUSTOMER DRAWING | SCALE: 1:1 SHEET 6 OF 9 REV F |

| LOC | DIST | REVISIONS | | | | | |
|-----|------|-----------|-----|-------------|------|-----|------|
| GP | 00 | P | LYR | DESCRIPTION | DATE | DWN | APVD |
| - | - | - | - | SEE SHEET 1 | - | - | - |

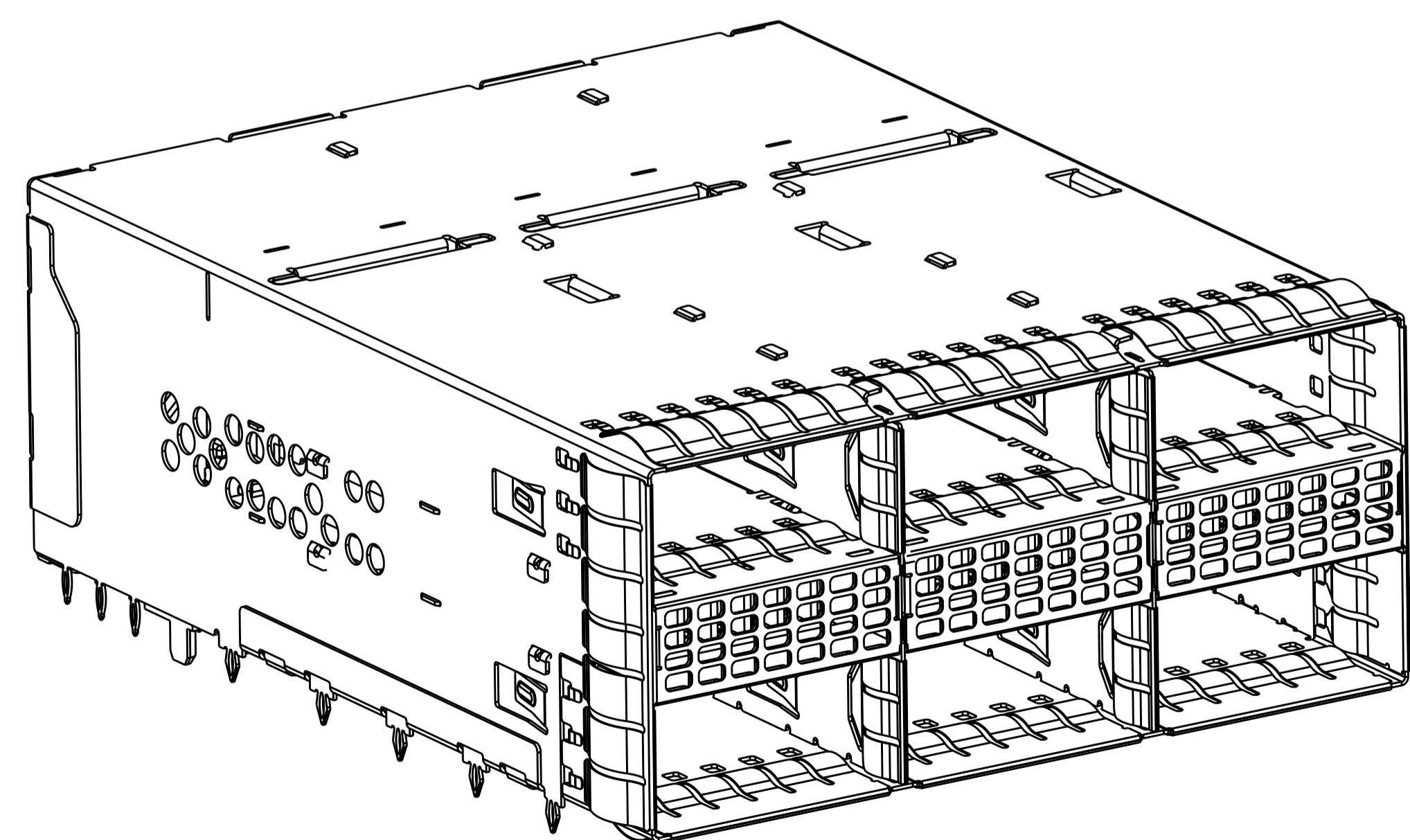


RECOMMENDED PANEL CUTOUT
 SCALE 3:1



INTERNAL HEATSINK

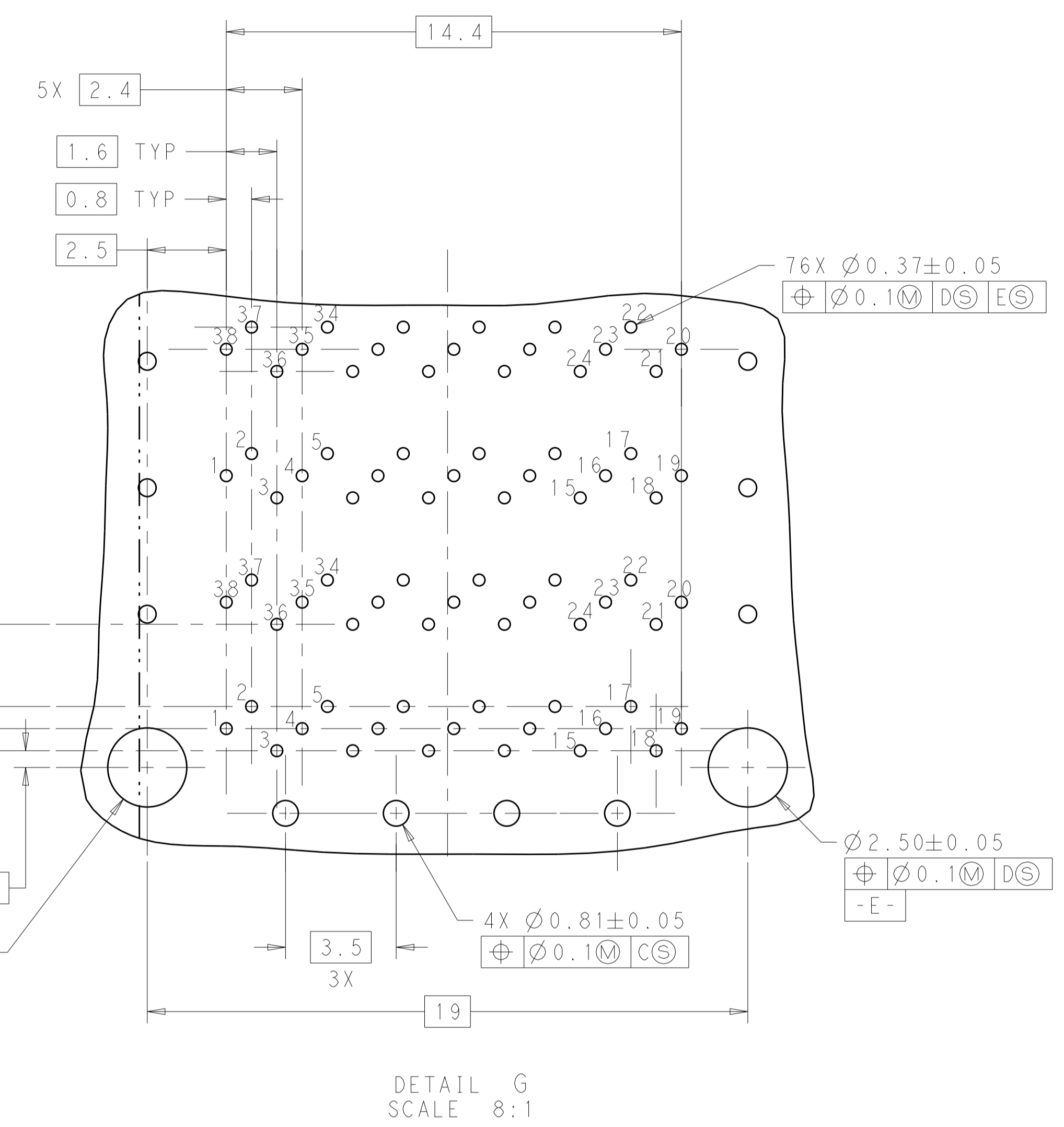
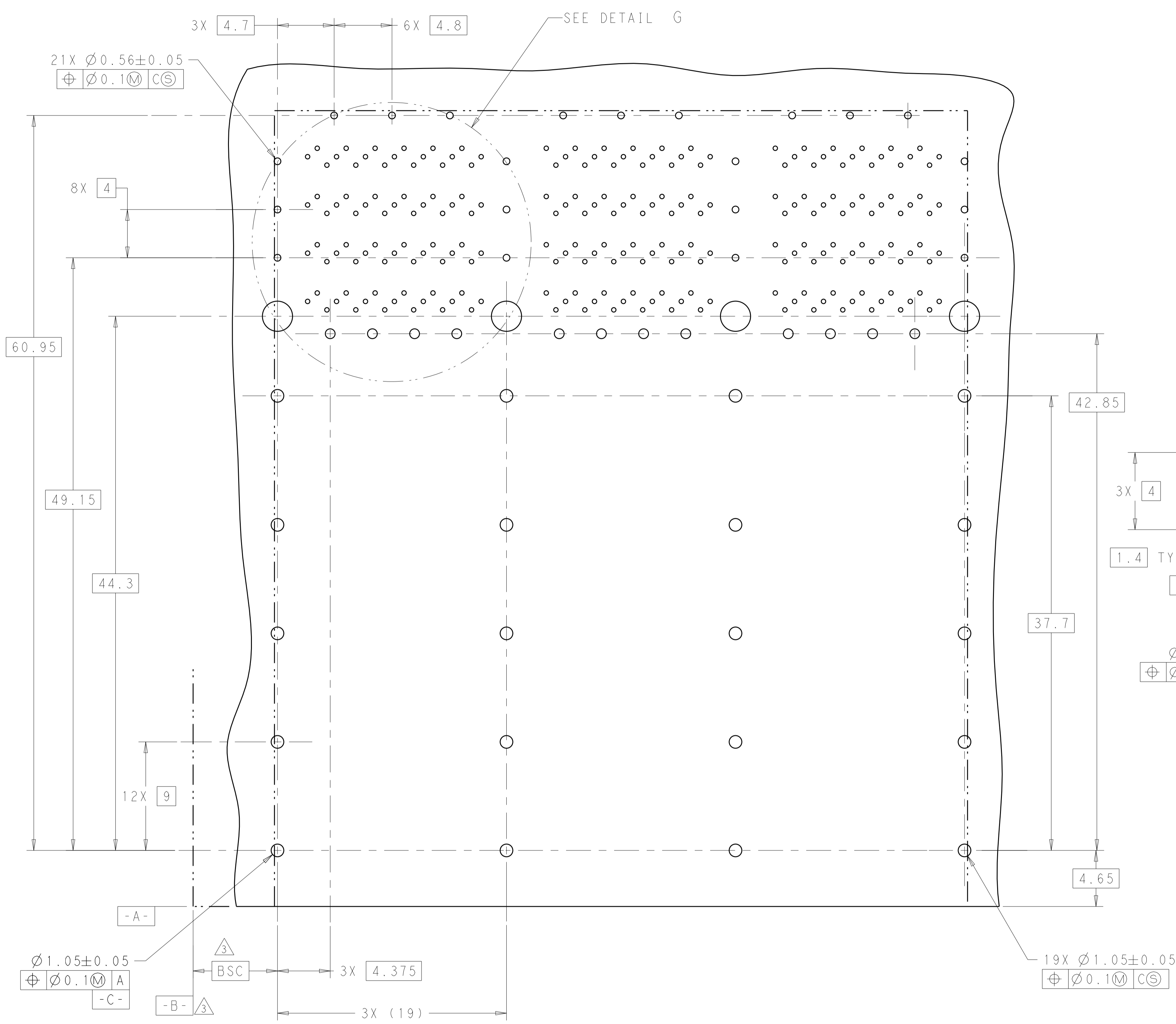
2-2299924-4
 SECTION V-V
 SCALE 3:1



SCALE 3:1

| | | | |
|---|--|---------------------------|---|
| THIS DRAWING IS A CONTROLLED DOCUMENT. | | DWN: ARTHUR JIN 20JAN2016 | TE Connectivity |
| DIMENSIONS: mm | | CHK: SEAN HAN 20JAN2016 | |
| TOLERANCES UNLESS OTHERWISE SPECIFIED: 0 PLC ± 1 PLC ±0.25 2 PLC ±0.15 3 PLC ± 4 PLC ± ANGLES ± | | APVD: SEAN HAN 20JAN2016 | NAME: CAGE AND CONNECTOR ASSEMBLY WITH EMI SPRING FINGERS, THRU BEZEL, 2X3 ZQSFP+ STACKED WITH HS |
| MATERIAL: SEE NOTE 1 | | FINISH: SEE NOTE 2 | RESTRICTED TO: A100779C=2299924 |
| CUSTOMER DRAWING | | SCALE: 1:1 | SHEET 7 OF 9 REV F |

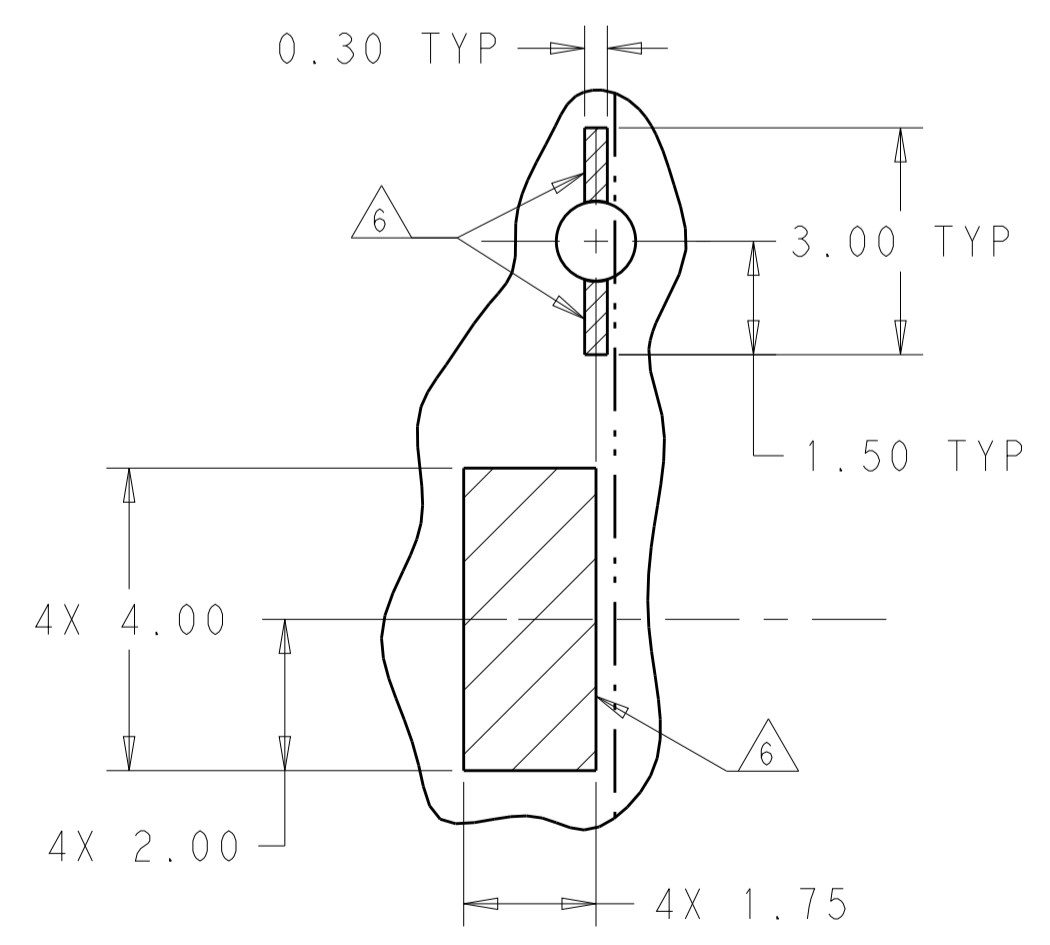
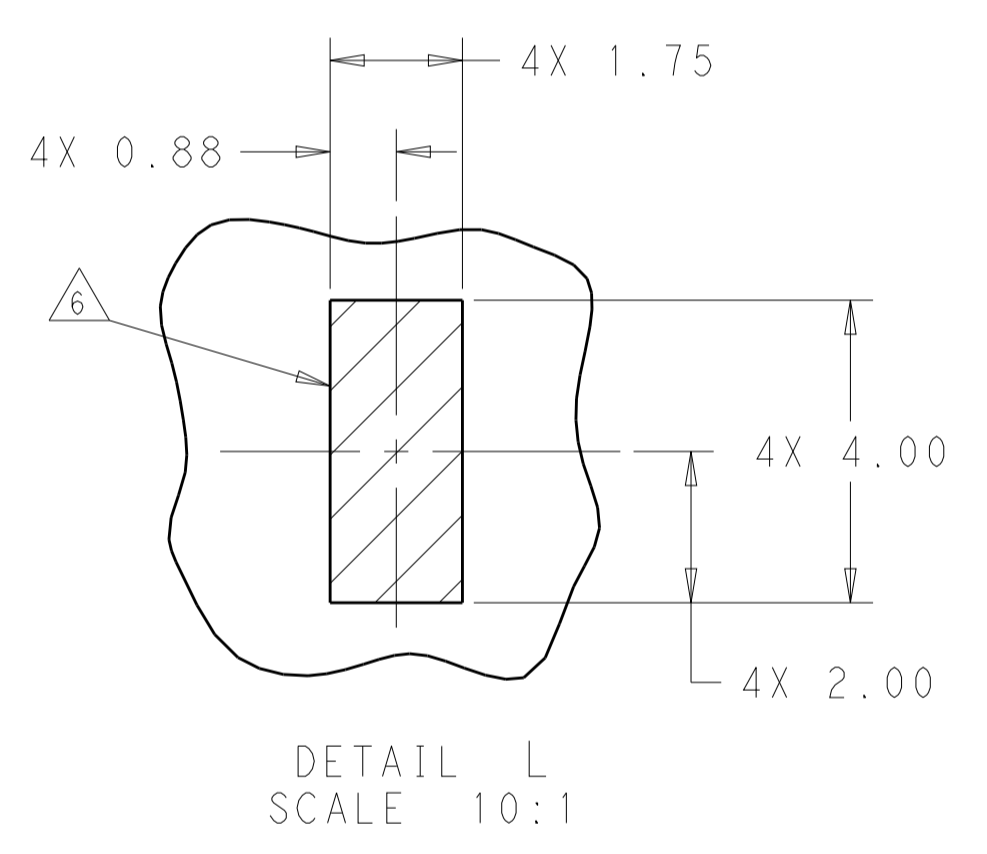
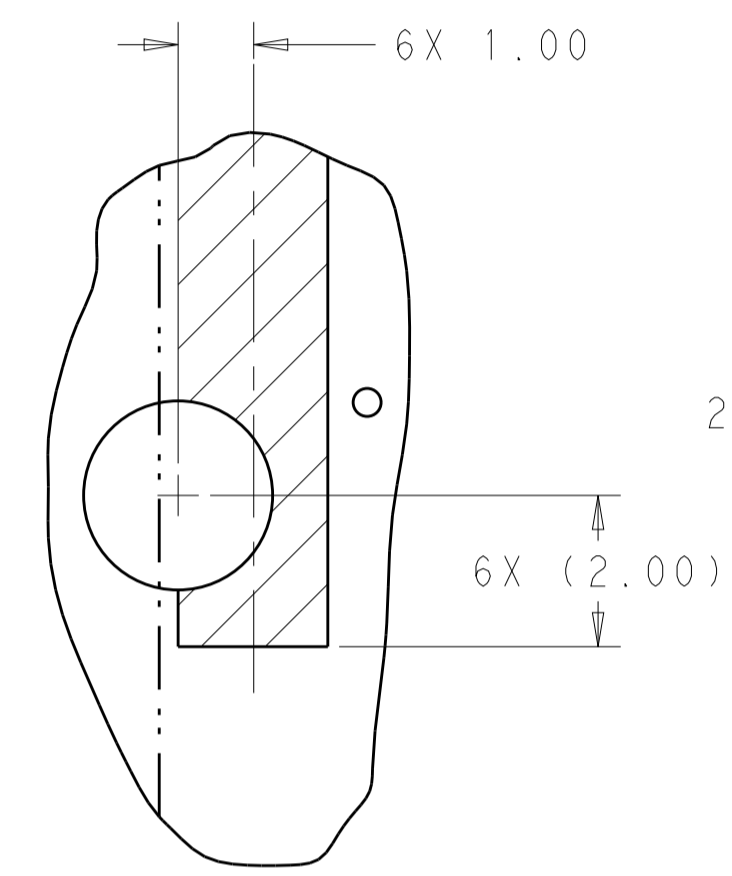
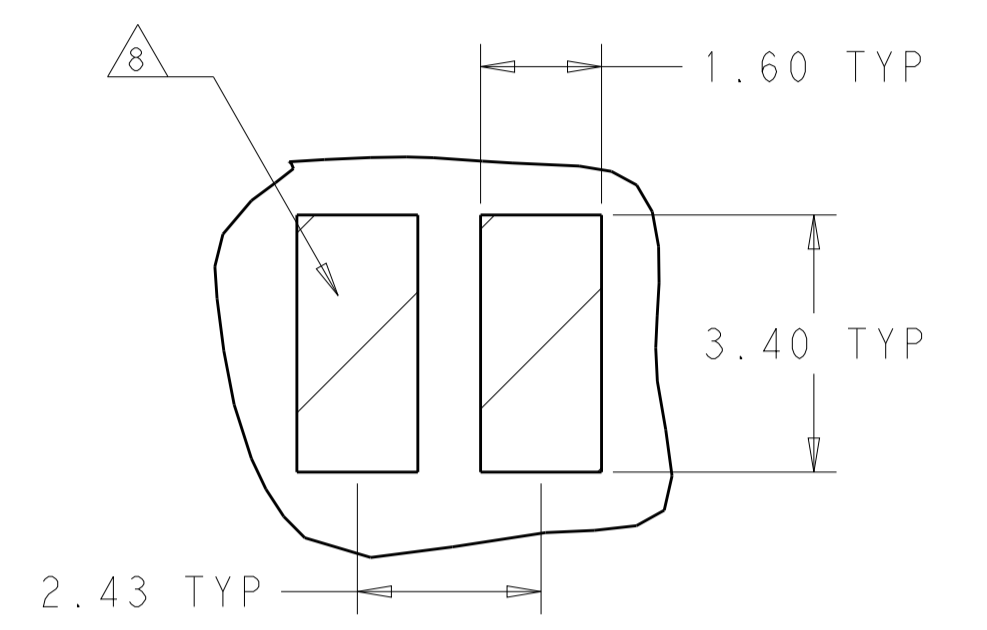
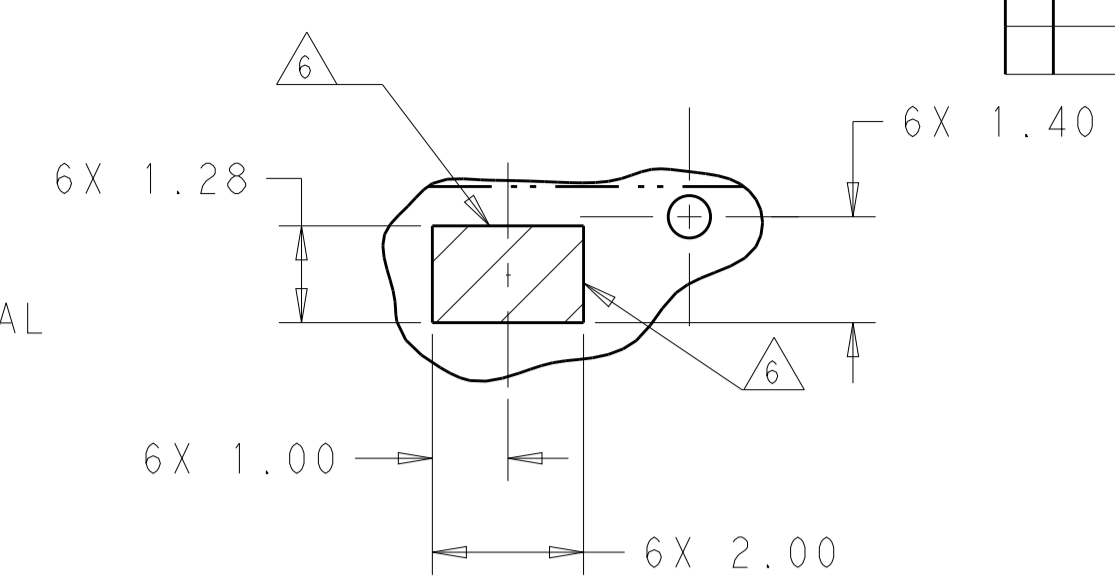
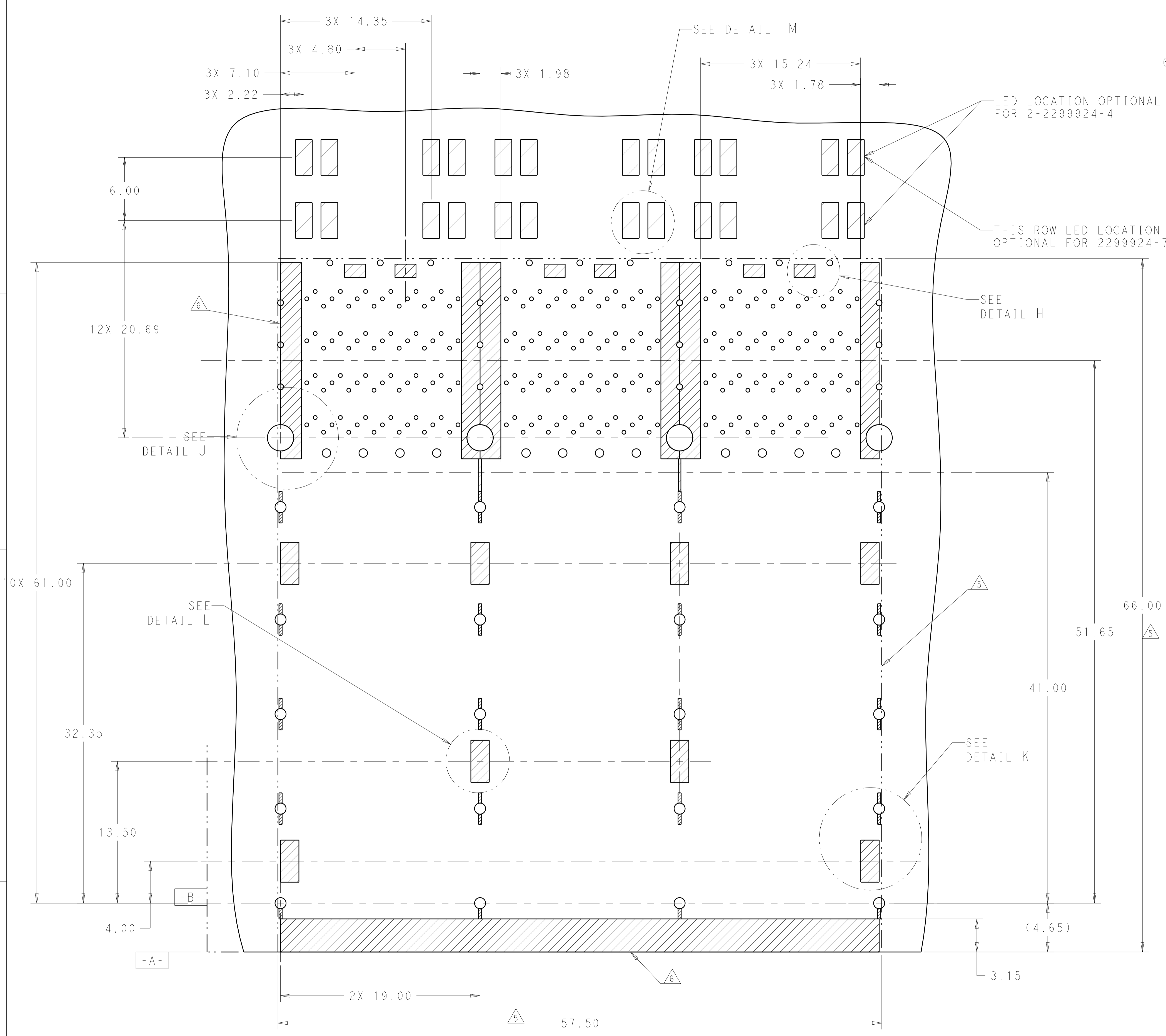
| LOC | DIST | REVISIONS | | | | | |
|-----|------|-----------|-----|-------------|------|-----|------|
| GP | 00 | P | LTN | DESCRIPTION | DATE | OWN | APVD |
| | | - | - | SEE SHEET 1 | - | - | - |



RECOMMENDED PCB BOARD LAYOUT
 COMPONENT SIDE OF BOARD
 PCB TOLERANCE: ±0.05
 SCALE 5:1

| | | | |
|--|--------------------|---------------------------|--|
| THIS DRAWING IS A CONTROLLED DOCUMENT. | | OWN: ARTHUR JIN 20JAN2016 | TE Connectivity |
| DIMENSIONS: mm | | CHK: SEAN HAN 20JAN2016 | |
| TOLERANCES UNLESS OTHERWISE SPECIFIED: | | APVD: SEAN HAN 20JAN2016 | NAME: CAGE AND CONNECTOR ASSEMBLY WITH EMI SPRING FINGERS, THRU BEZEL, 2X3 ZQSF+ STACKED WITH HS |
| 0 PLC ±0.25 | 1 PLC ±0.15 | PRODUCT SPEC | SIZE: A100779 |
| 2 PLC ±0.15 | 3 PLC ±0.15 | APPLICATION SPEC | CAGE CODE: C=2299924 |
| 4 PLC ±0.15 | ANGLES ±0.15 | FINISH | RESTRICTED TO |
| MATERIAL: SEE NOTE 1 | FINISH: SEE NOTE 2 | WEIGHT: - | SCALE: 1:1 |
| CUSTOMER DRAWING | | DATE: 20JAN2016 | SHEET: 8 OF 9 |
| | | REV: F | |

| LOC | | DIST | | REVISIONS | | | |
|-----|----|------|-----|-------------|------|-----|------|
| GP | 00 | P | LTN | DESCRIPTION | DATE | DMN | APVD |
| | | - | - | SEE SHEET 1 | - | - | - |



KEEP-OUT AREAS COMPONENT
 SIDE OF BOARD FOR 4 LP
 SCALE 5:1

| | | | |
|--|--------------------|---------------------------|---|
| THIS DRAWING IS A CONTROLLED DOCUMENT. | | OWN: ARTHUR JIH 20JAN2016 | TE Connectivity |
| DIMENSIONS: mm | | CHK: SEAN HAN 20JAN2016 | |
| TOLERANCES UNLESS OTHERWISE SPECIFIED: | | APVD: SEAN HAN 20JAN2016 | NAME: CAGE AND CONNECTOR ASSEMBLY WITH EMI SPRING FINGERS, THRU BEZEL, 2X3 ZOSFP+ STACKED WITH HS |
| 0 PLC ± | 1 PLC ±0.25 | PRODUCT SPEC | SIZE: CAGE CODE DRAWING NO. RESTRICTED TO |
| 2 PLC ±0.15 | 3 PLC ± | APPLICATION SPEC | A100779C=2299924 |
| 4 PLC ± | ANGLES ± | WEIGHT | SCALE 1:1 SHEET 9 of 9 REV F |
| MATERIAL: SEE NOTE 1 | FINISH: SEE NOTE 2 | CUSTOMER DRAWING | |

X-ON Electronics

Largest Supplier of Electrical and Electronic Components

Click to view similar products for [I/O Connectors](#) category:

Click to view products by [TE Connectivity](#) manufacturer:

Other Similar products are found below :

[571763P](#) [58098-0628](#) [72.250.1628.2](#) [72.250.2428.2](#) [74720-0505](#) [76.350.0729.0](#) [76871-1403](#) [FCN-244F080-G/1](#) [FCN-260A9920](#) [PCR-E36PM](#) [PCS-XE26MA+](#) [G38A71314B](#) [1571250010](#) [157-22500-3](#) [MS3471L14-19P L/C](#) [172501-4002](#) [172501-6002](#) [FCN-260C008-A/L0](#) [FCN-260C024-AL0](#) [FCN-261Z008](#) [2000314-1](#) [200331-1](#) [PCR-E36FC+](#) [PCS-E28FS+](#) [PCS-XE26SLFD+](#) [PCS-XE26SLFDT+](#) [G730VID08BDC24](#) [U90B2054081210](#) [38113800006](#) [DP3AR020WQ1R200](#) [Z4.102.0680.0](#) [500-1040](#) [500-1052](#) [500-1054](#) [ZP-4008-66L](#) [0709821002](#) [DX40-20P\(55\)](#) [5554841-1](#) [MS3474W18-8P-LC*](#) [U90B3054061110](#) [U65-E04-4020](#) [ZPF000000000097891](#) [747360449](#) [10099439-003C-TRLF](#) [10137239-0021LF](#) [E9320-001-01](#) [10137239-0011LF](#) [70289-001LF](#) [70.060.1028.0](#) [109029-ZZ](#)