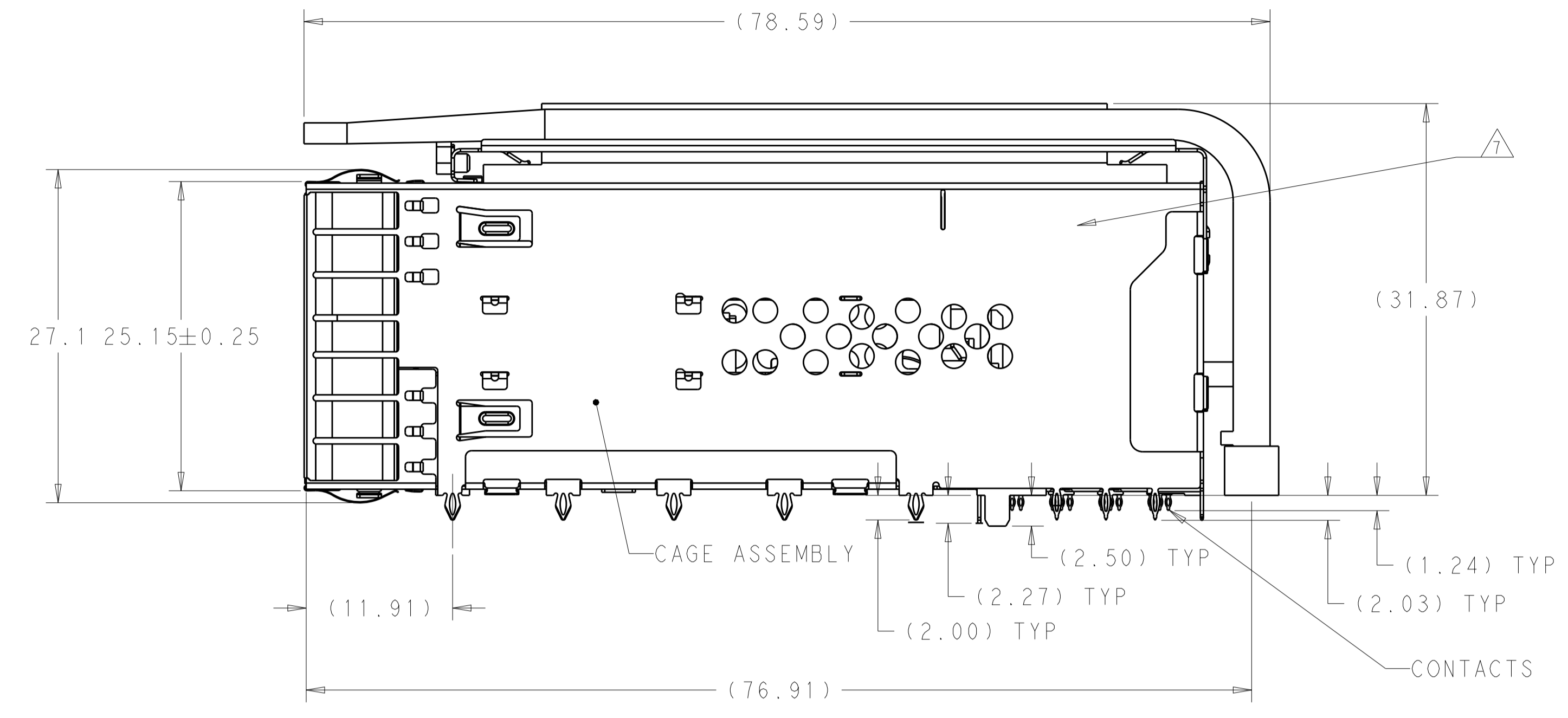
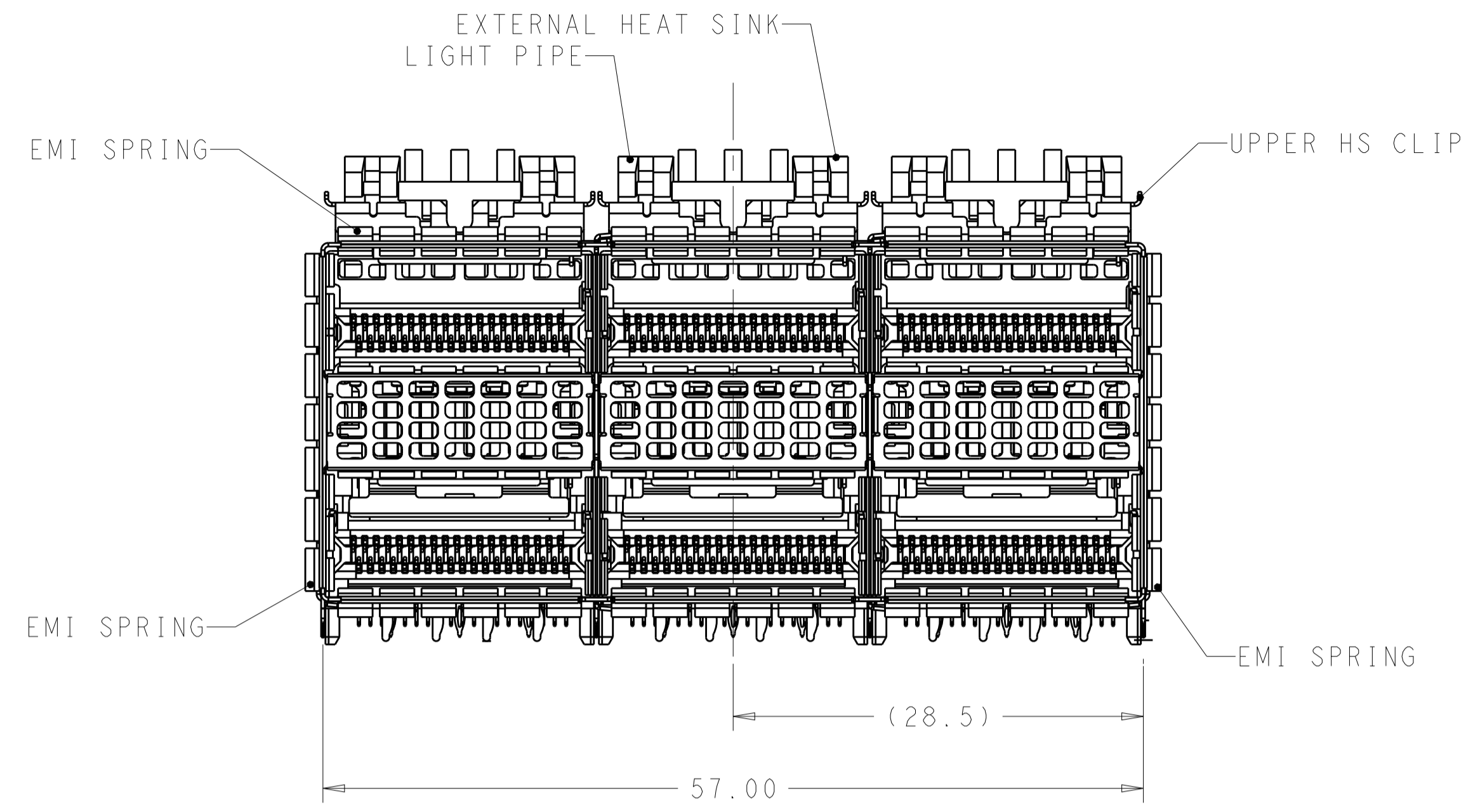
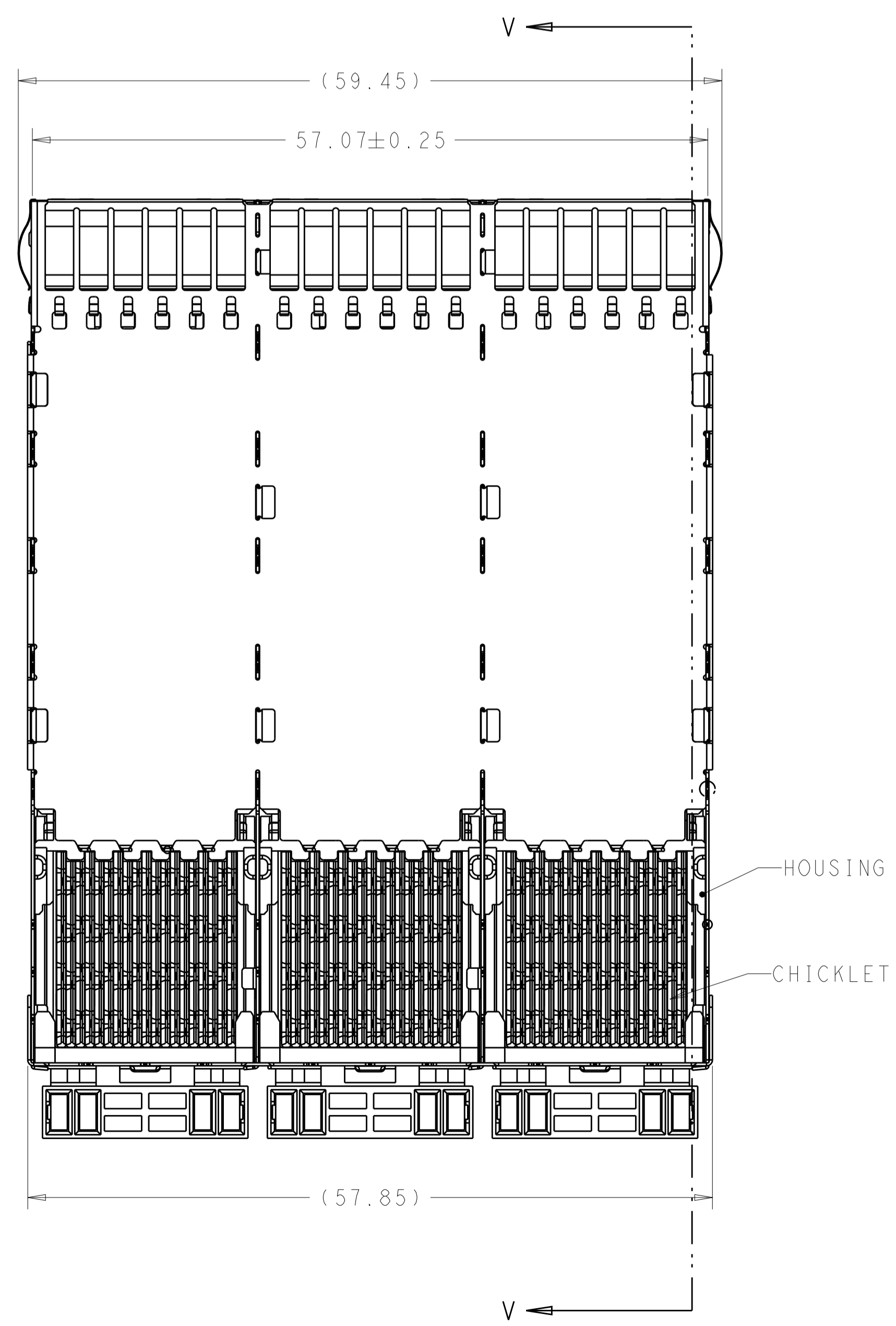


LOC	DIST	REVISIONS			
P	LTN	DESCRIPTION	DATE	DMN	APVD
E		REVISED PER ECR-19-017405	22NOV2019	RM	SH
F		REVISED PER ECR-20-012291	09SEP2020	RM	SH



- MATERIALS:  
 CAGE ASSEMBLY- NICKEL SILVER ALLOY PER ASTM B 122.  
 EMI SPRING- COPPER ALLOY, NICKEL PLATED.  
 HOUSING- POLYESTER LCP WITH 94 V-0  
 CHICKLET- POLYESTER LCP WITH 94 V-0  
 CONTACT- COPPER ALLOY.  
 LIGHTPIPE- POLYCARBONATE  
 HEAT SINK- ALUMINUM  
 CLIP- STAINLESS STEEL

- CONTACT FINISH: 0.76µm GOLD ON MATING AREA, 0.7-1.5µm. MATT TIN ON COMPLIANT AREA, ALL OVER 1.27µm NICKEL.
- DATUM AND BASIC DIMENSION ESTABLISHED BY CUSTOMER.
- MINIMUM PCB THICKNESS OF 1.57.
- THE ENTIRE AREA OF THE CONNECTOR FOOTPRINT, INDICATED BY THE DASHED LINE, TO BE CONSIDERED THE KEEPOUT AREA FOR COMPONENTS.
- CROSS-HATCHED AREAS REPRESENT ZONES ON THE PCB THAT COME IN CONTACT WITH OR BE IN CLOSE PROXIMITY TO THE PLASTIC HOUSING OR THE CONNECTOR CAGE. INDICATED AREAS TO BE CONSIDERED TRACE FREE.
- PART NUMBER AND DATE CODE MADE IN APPROXIMATE AREA SHOWN.
- HATCHED AREA IS PLACEMENT ZONE FOR LED. LED SHOULD BE CENTERED WITHIN ZONE. RECOMMEND 0805 PACKAGE.
- LOW Br/Ci AS DEFINED IN TEC-138-702.
- HEAT SINK WITH NICKEL PLATING



CONTACT FINISH	DESCRIPTION	PART NUMBER
2	WITH HS & WITH LP	3-2299924-6
2	WITH HS & WITH LP	2-2299924-6
2	WITHOUT UPPER HS & LP	2-2299924-4
2	WITH HS & WITH LP	1-2299924-6
2	WITH HS & WITHOUT LP	1-2299924-3
2	WITH HS & WITH LP	1-2299924-1
2	WITH HS & WITH LP	1-2299924-0
2	WITH HS & WITH LP	2299924-8
2	WITH HS & WITH LP	2299924-7
2	WITH HS & WITH LP	2299924-6
2	WITH HS & WITH LP	2299924-5
2	WITHOUT UPPER HS OR LP	2299924-4
2	WITH HS & WITHOUT LP	2299924-3
2	WITH HS & WITHOUT LP	2299924-2
2	WITH HS & WITH LP	2299924-1

THIS DRAWING IS A CONTROLLED DOCUMENT. DWG: ARTHUR JLN 20JAN2016  
 CHK: SEAN HAN 20JAN2016  
 APVD: SEAN HAN 20JAN2016

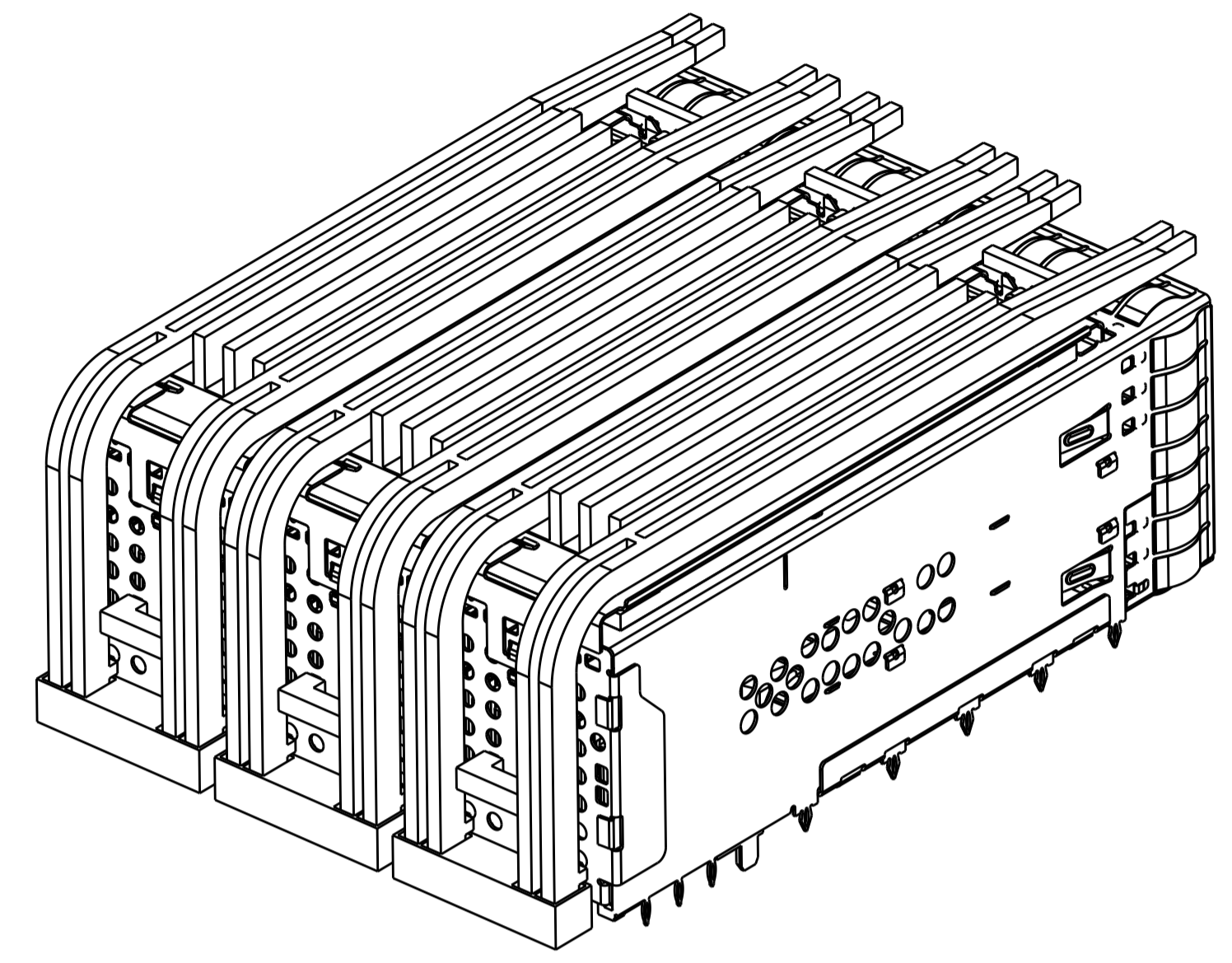
**STE** TE Connectivity

NAME: CAGE AND CONNECTOR ASSEMBLY WITH EMI SPRING FINGERS, THRU BEZEL, 2X3 ZOSFP+ STACKED WITH HS

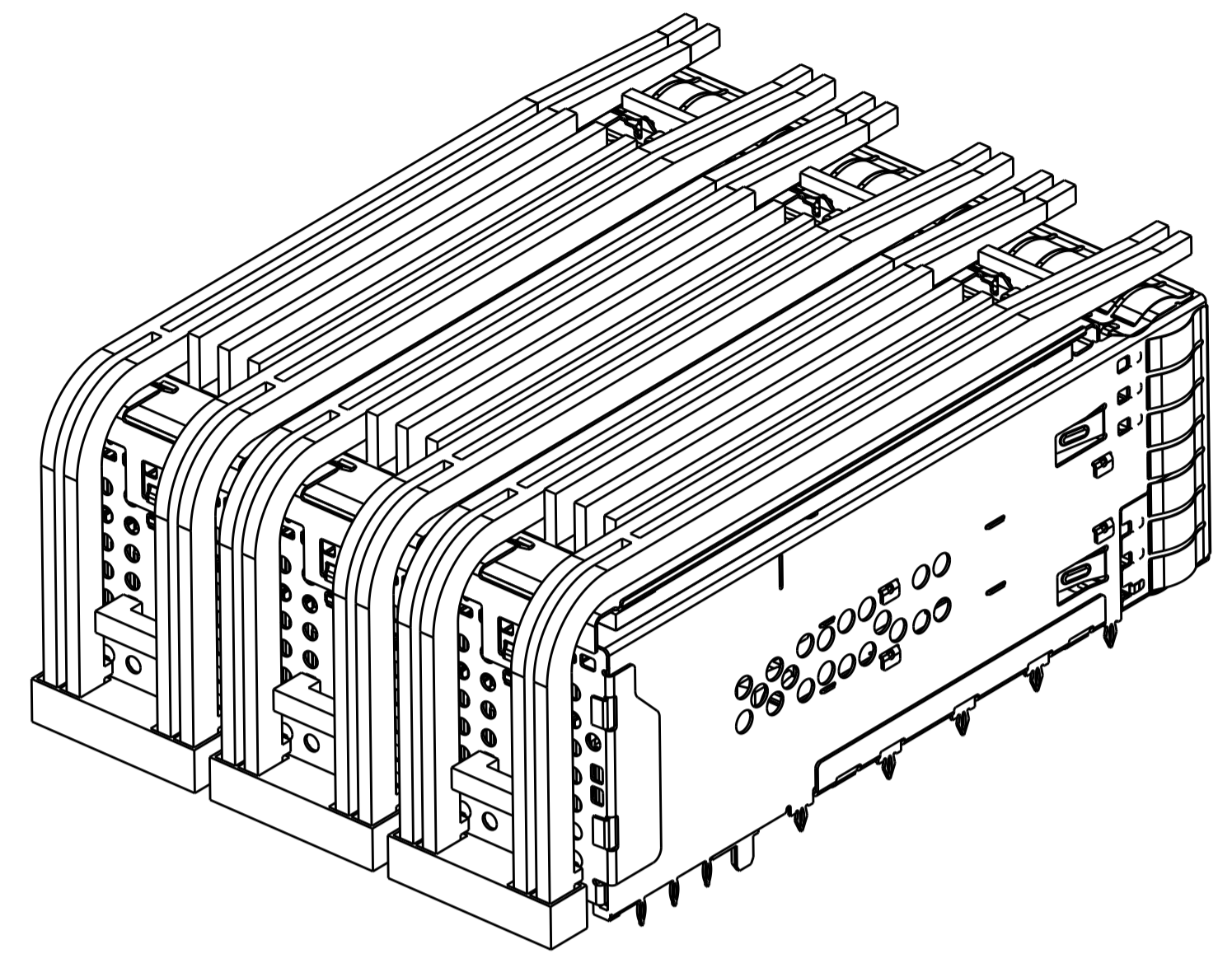
SIZE: A1 CAGE CODE: 2299924 DRAWING NO: 100779

SCALE: 1:1 SHEET 1 OF 9 REV F

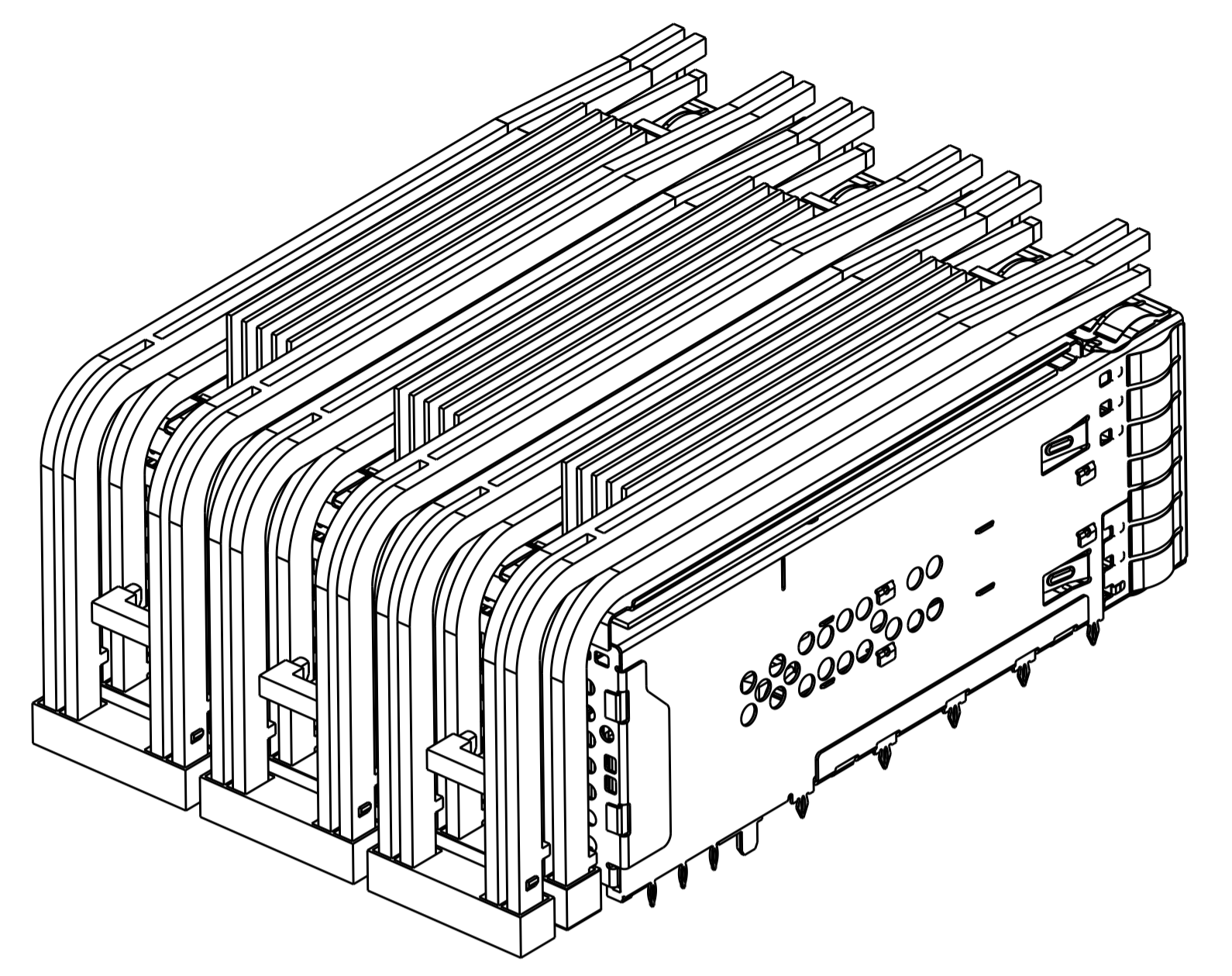
LOC	DIST	REVISIONS					
GP	00	P	LYR	DESCRIPTION	DATE	OWN	APVD
-	-	-	-	SEE SHEET 1	-	-	-



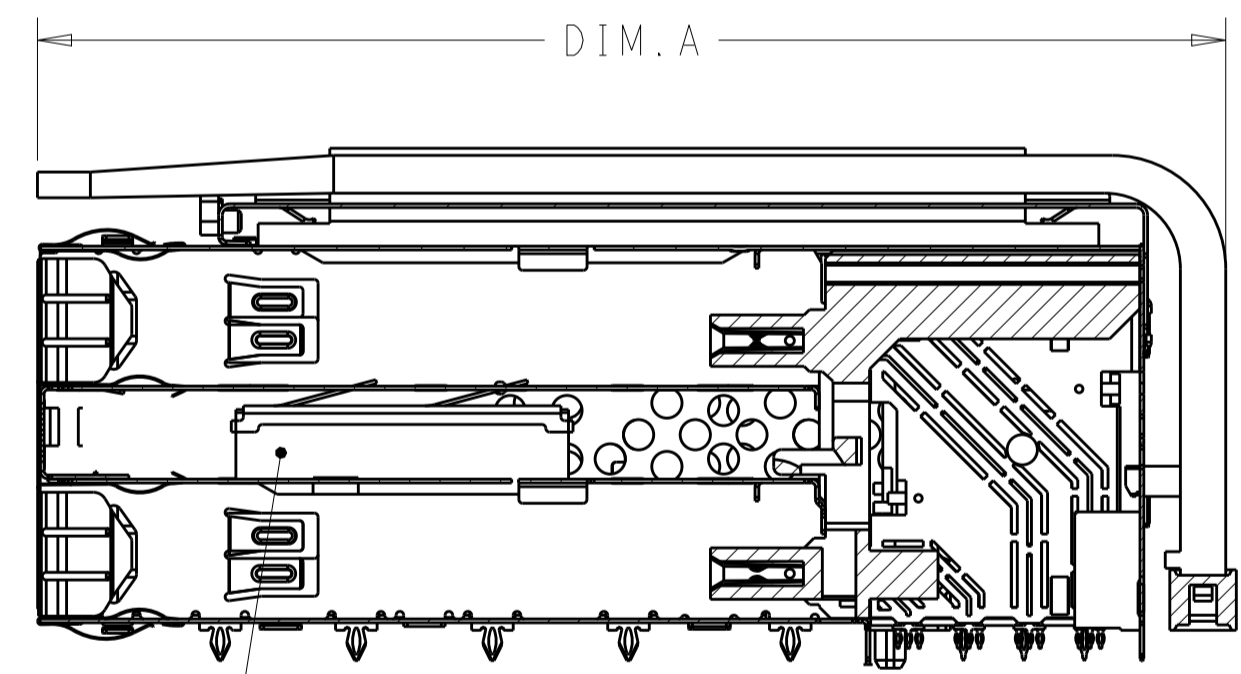
2299924-1  
 1-2299924-1  
 AS SHOWN  
 SCALE 2:1



2299924-5 AS SHOWN  
 HAS THE SAME APPEARANCE WITH 2299924-1  
 BUT DIFFERENT INTERNAL HEAT SINK  
 SCALE 2:1



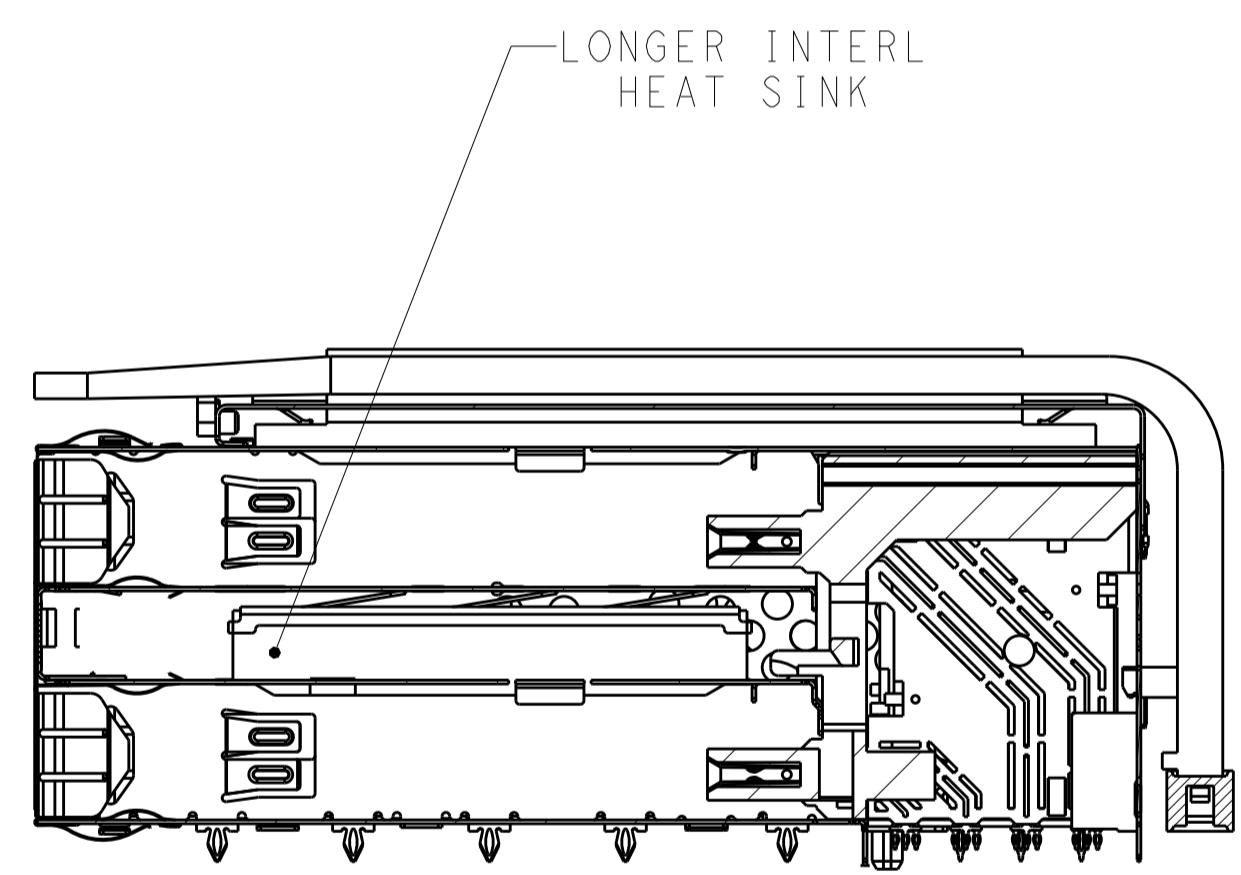
2299924-7  
 SCALE 2:1



SHORT INTERNAL  
 HEAT SINK

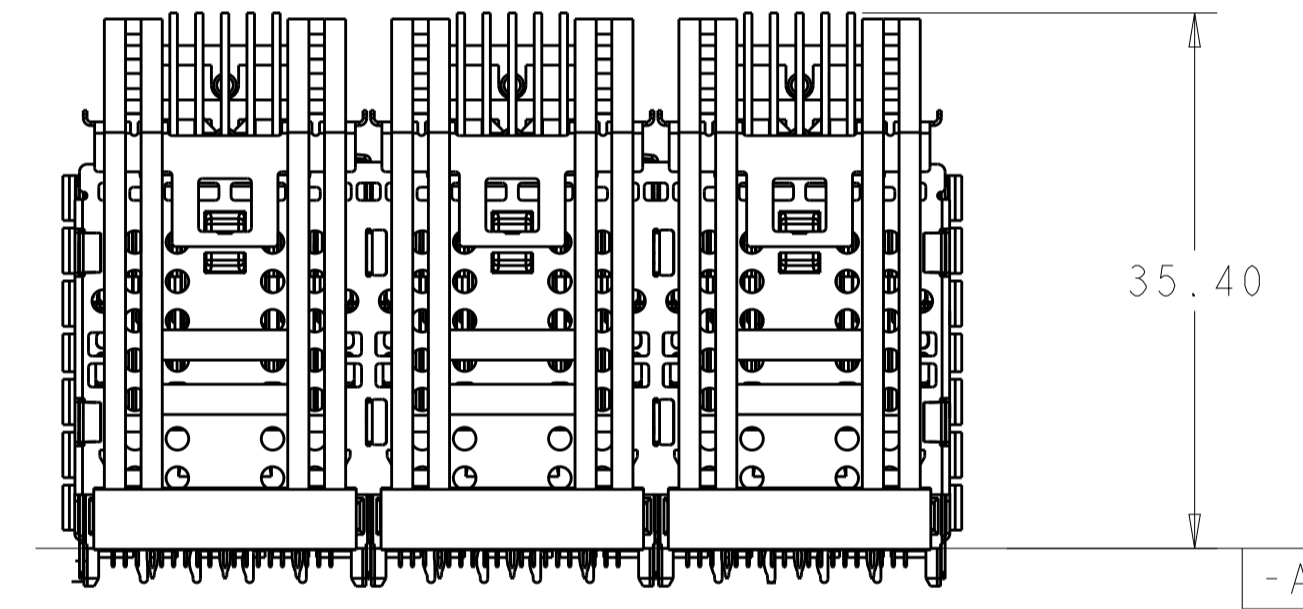
2299924-1  
 1-2299924-1  
 SECTION VIEW  
 SECTION V-V  
 SCALE 2:1

75.3	1-2299924-1
78.59	2299924-1
DIM.A	PART NUMBER



LONGER INTERL  
 HEAT SINK

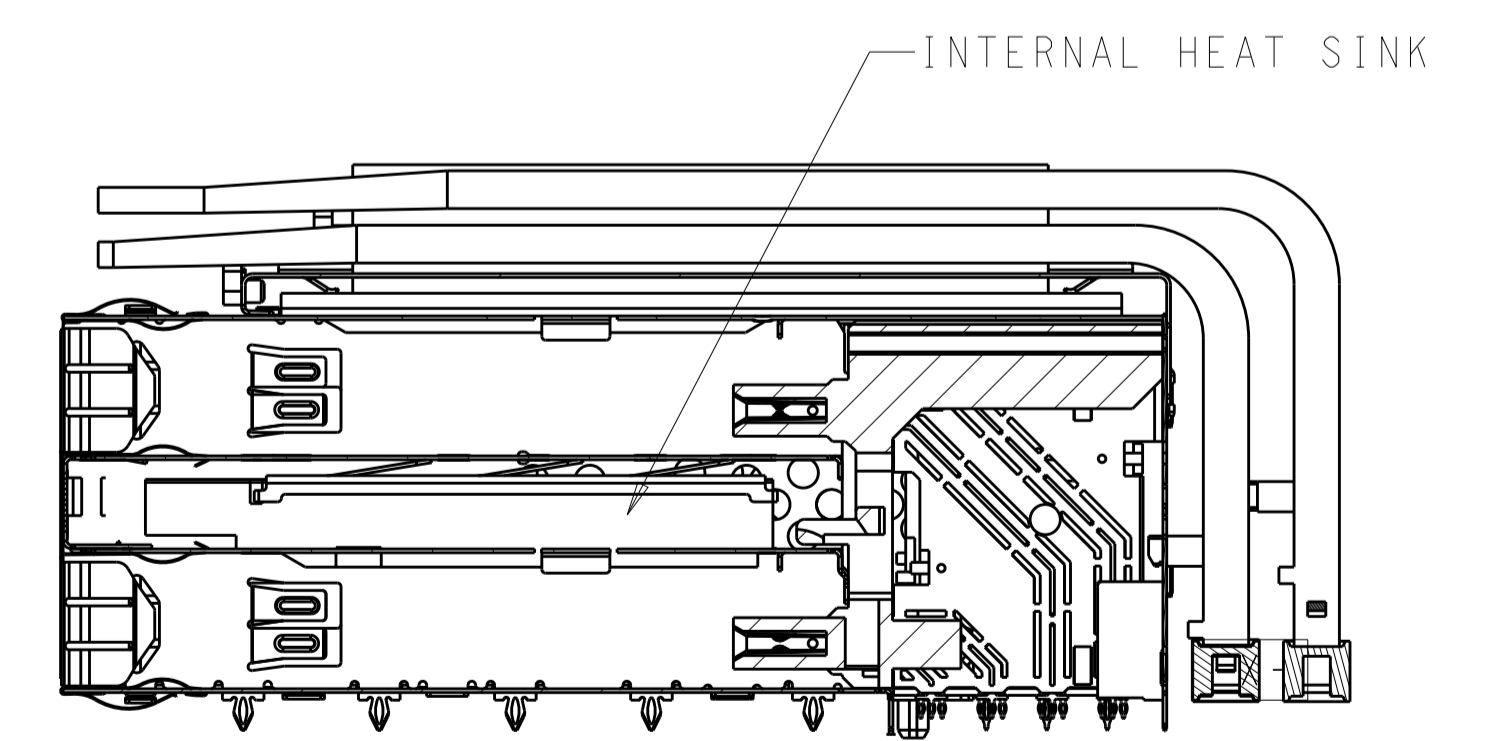
2299924-5 SECTION VIEW  
 THE SAME AS 2299924-1 EXCEPT THE LONGER INTER HEAT SINK  
 SECTION V-V  
 SCALE 2:1



35.40

-A-

2299924-7  
 SCALE 2:1

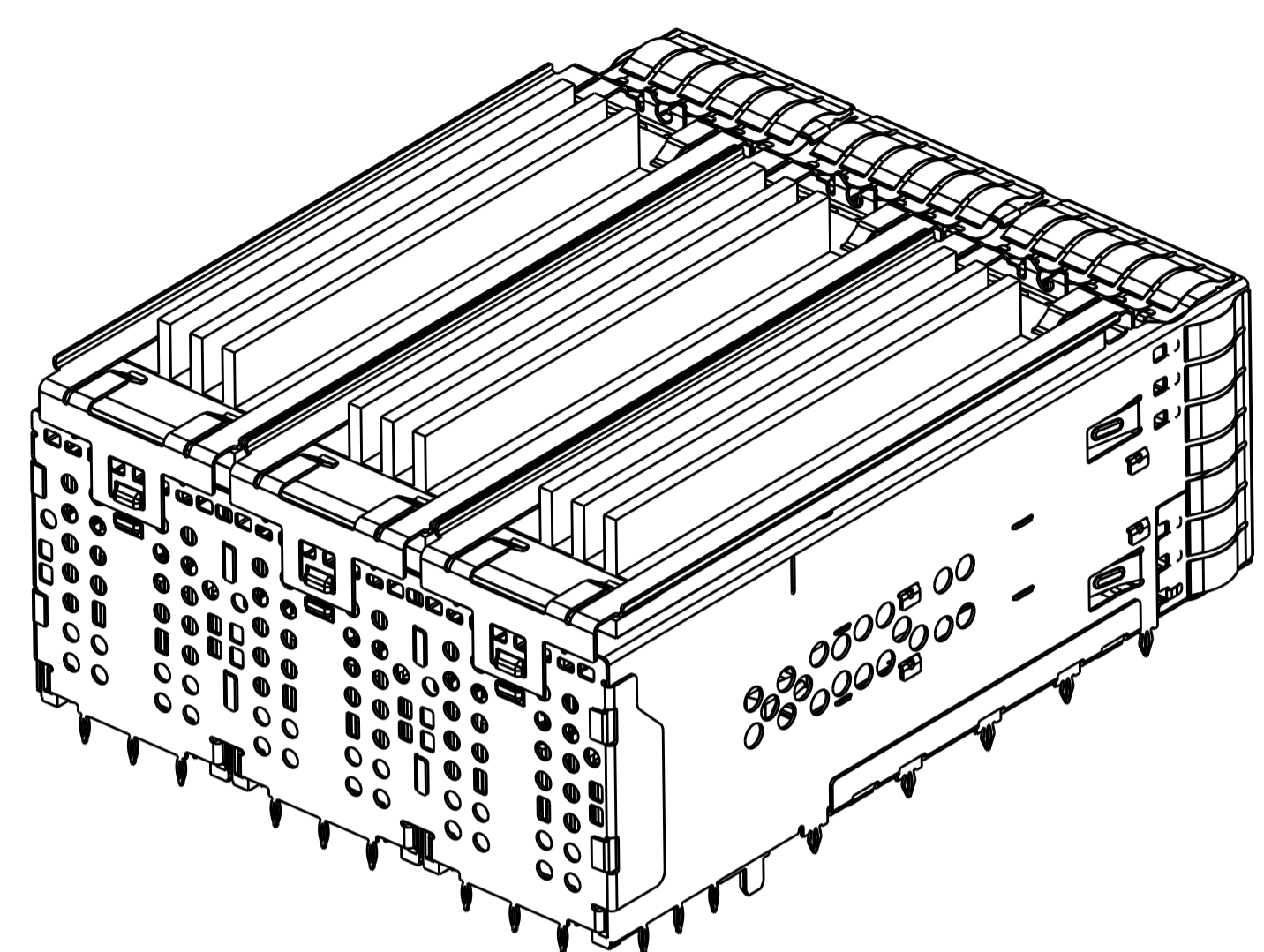


INTERNAL HEAT SINK

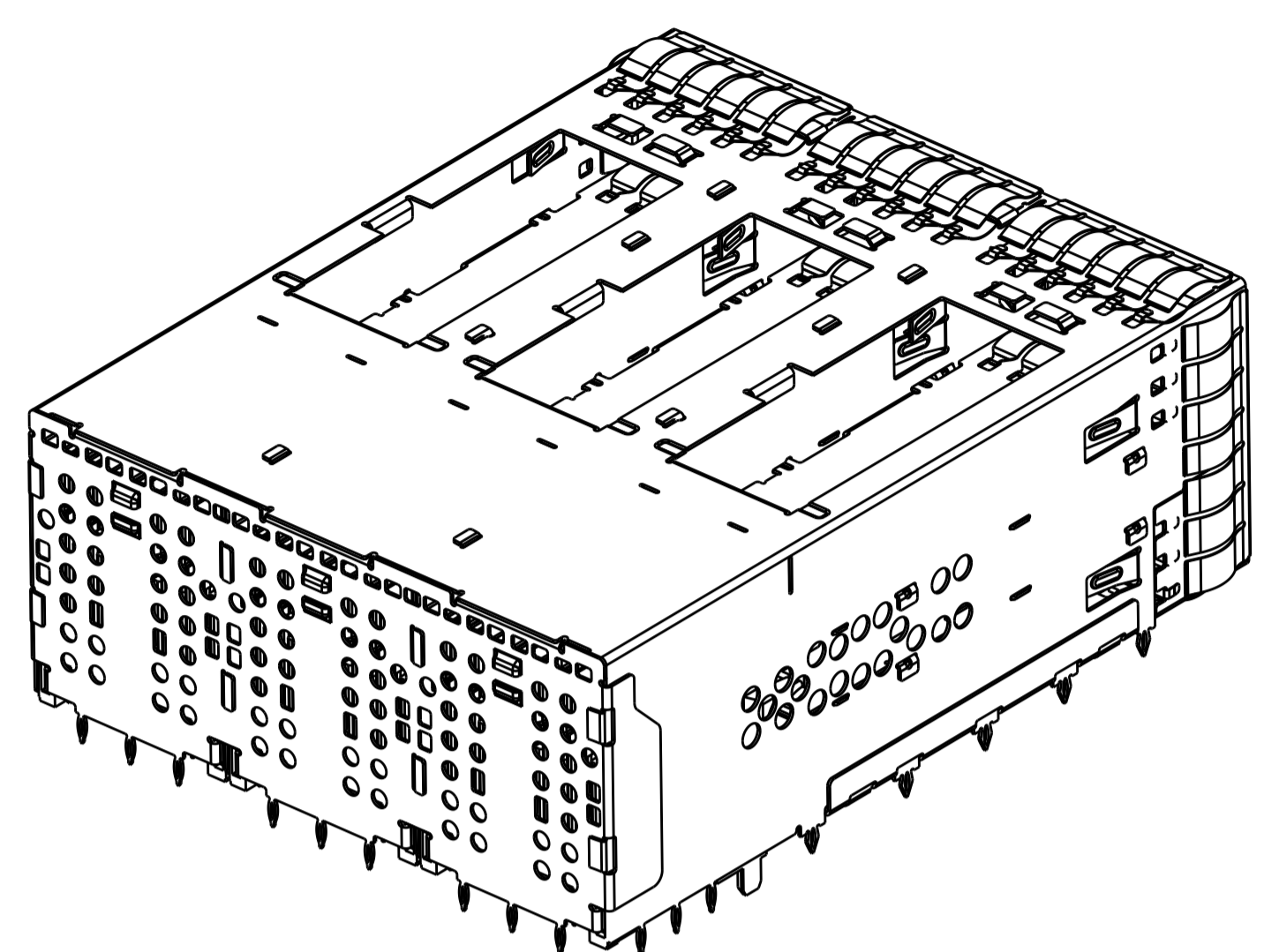
2299924-7  
 SECTION V-V  
 SCALE 2:1

THIS DRAWING IS A CONTROLLED DOCUMENT.		OWN ARTHUR JLN 20JAN2016	TE Connectivity
DIMENSIONS:		CHK SEAN HAN 20JAN2016	
mm	TOLERANCES UNLESS OTHERWISE SPECIFIED:	APVD SEAN HAN 20JAN2016	NAME CAGE AND CONNECTOR ASSEMBLY WITH EMI SPRING FINGERS, THRU BEZEL, 2X3 ZOSFP+ STACKED WITH HS
0 PLC ±	1 PLC ±0.25	PRODUCT SPEC	SIZE A100779C=2299924
2 PLC ±0.15	3 PLC ±	APPLICATION SPEC	RESTRICTED TO
4 PLC ±	ANGLES ±	WEIGHT	SCALE 1:1 SHEET 2 OF 9 REV F
MATERIAL	FINISH	CUSTOMER DRAWING	
SEE NOTE 1	SEE NOTE 2		

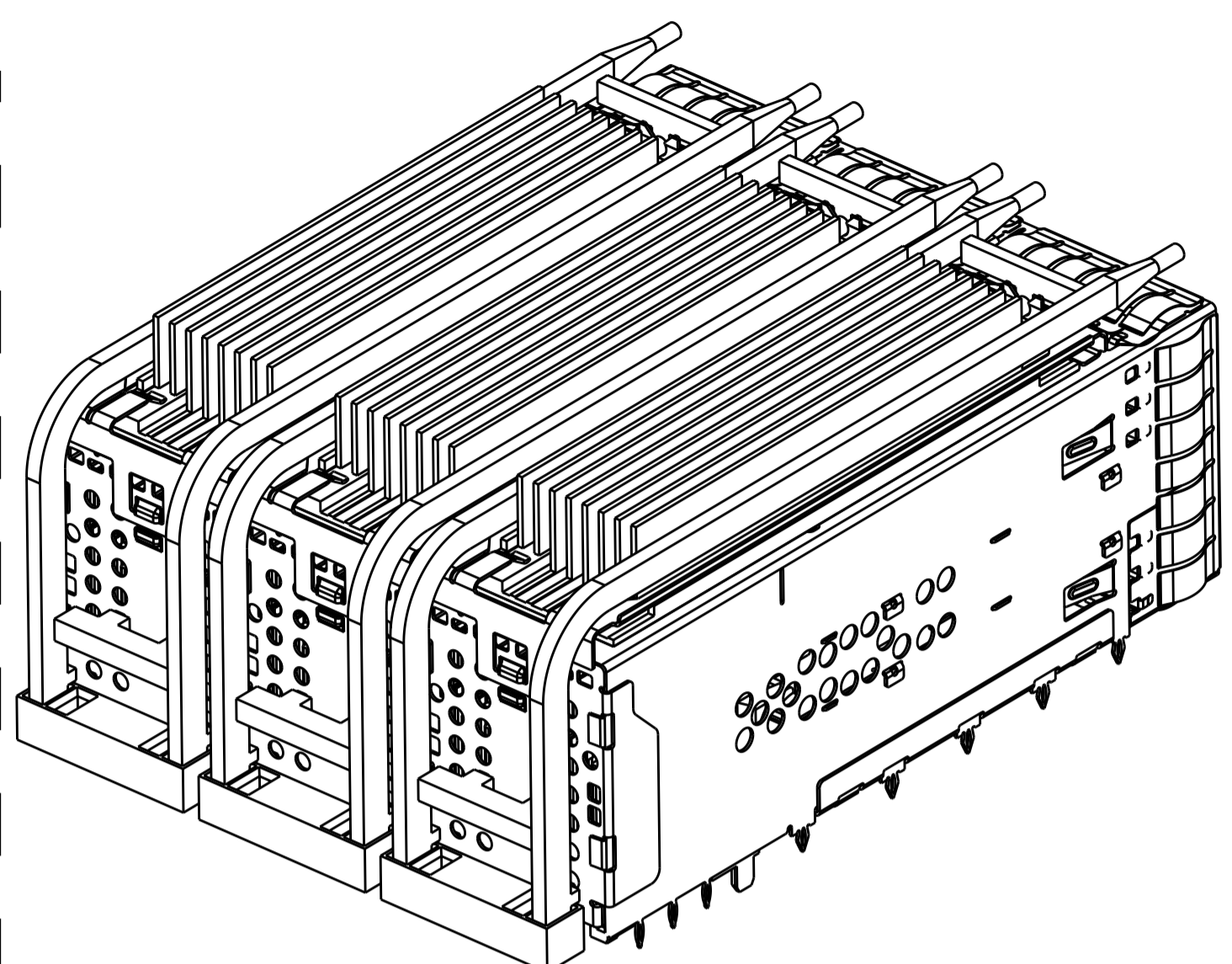
LOC	DIST	REVISIONS					
GP	00	P	LYR	DESCRIPTION	DATE	OWN	APVD
		-		SEE SHEET 1			



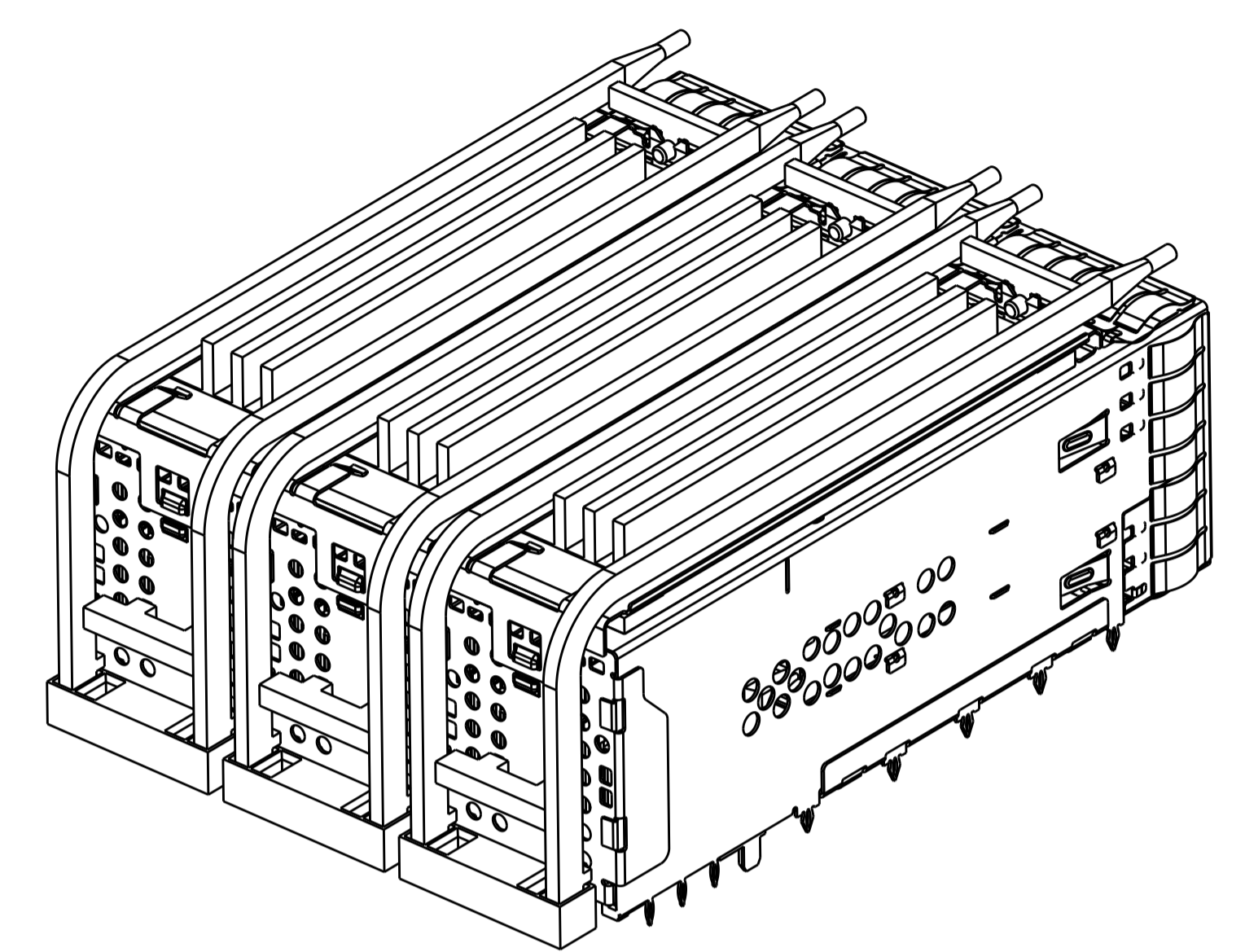
2299924-2 AS SHOWN  
 THE SAME AS 2299924-5 EXCEPT  
 W/O LIGHT PIPE AND ORGANIZER  
 SCALE 2:1



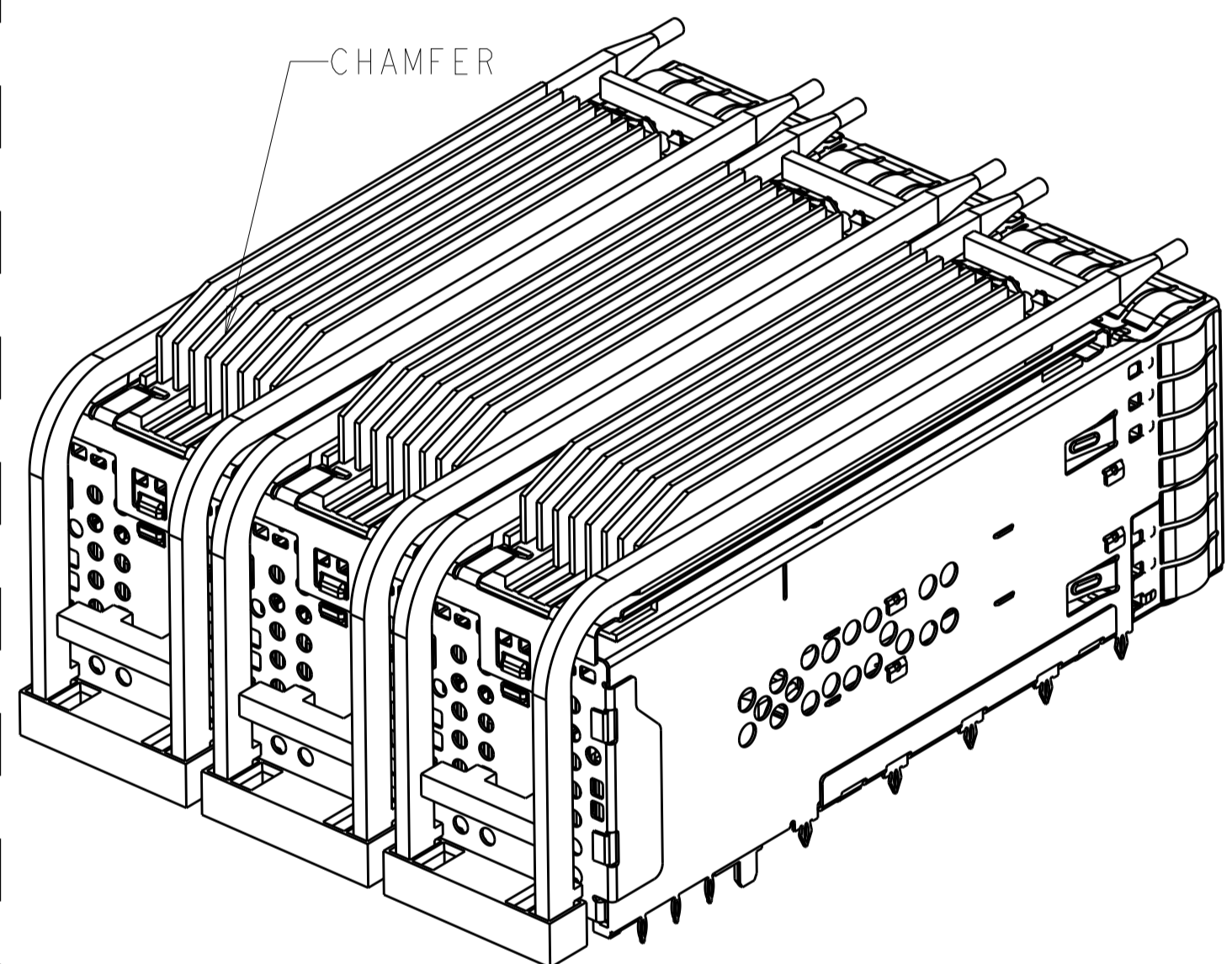
2299924-4 AS SHOWN  
 THE SAME AS 2299924-2 EXCEPT  
 WITHOUT EXTERNAL HEAT SINK AND LP  
 SCALE 2:1



2299924-6  
 SCALE 2:1

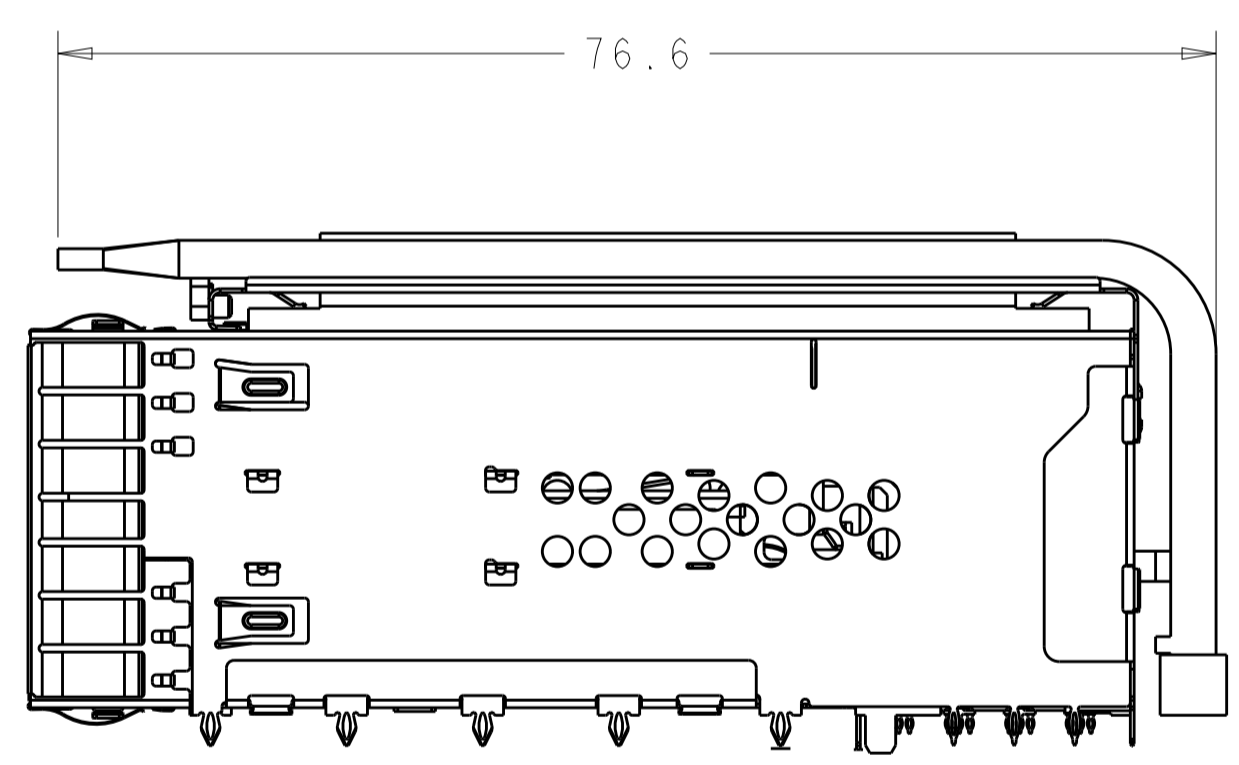


1-2299924-0  
 SCALE 2:1

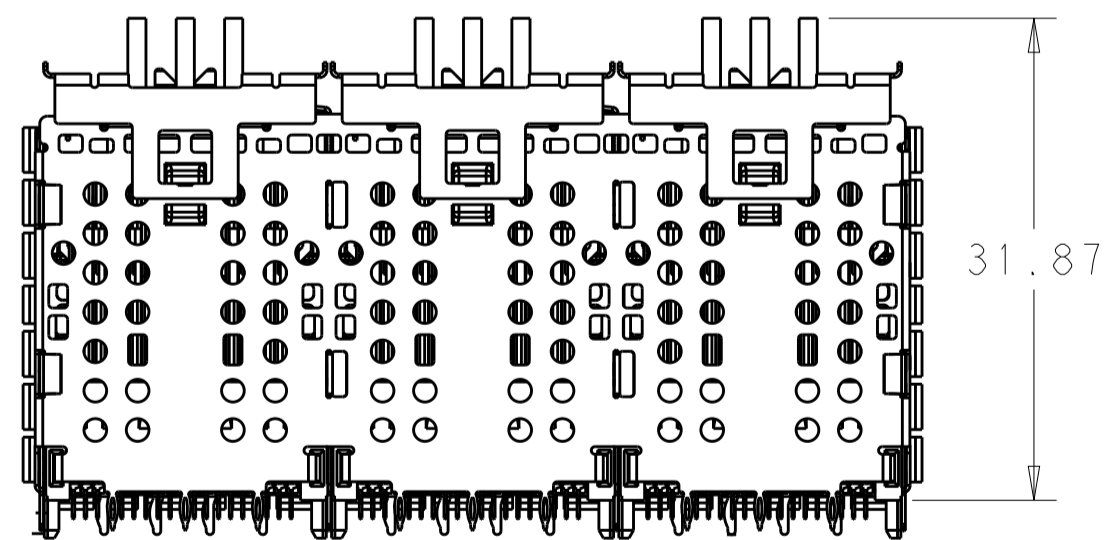


CHAMFER

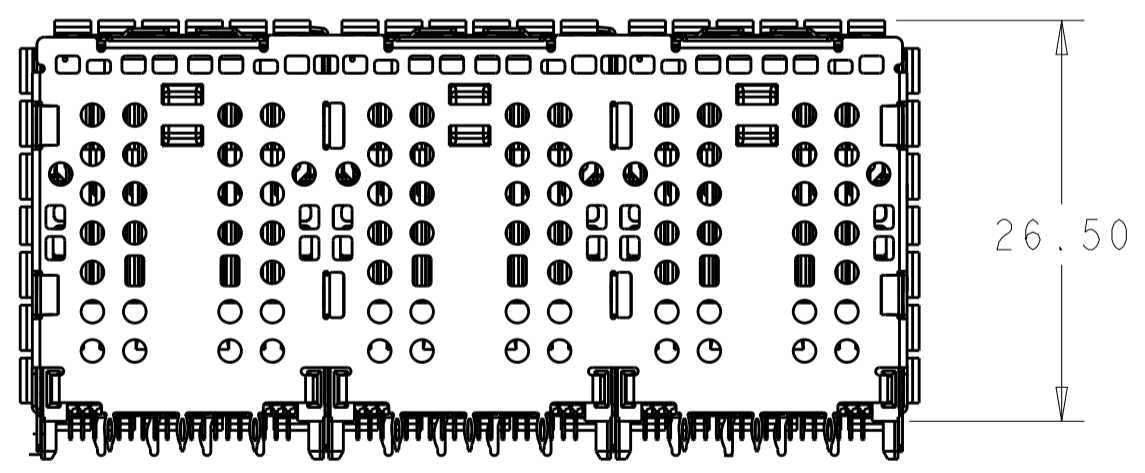
1-2299924-6  
 2-2299924-6  
 3-2299924-6  
 SCALE 2:1



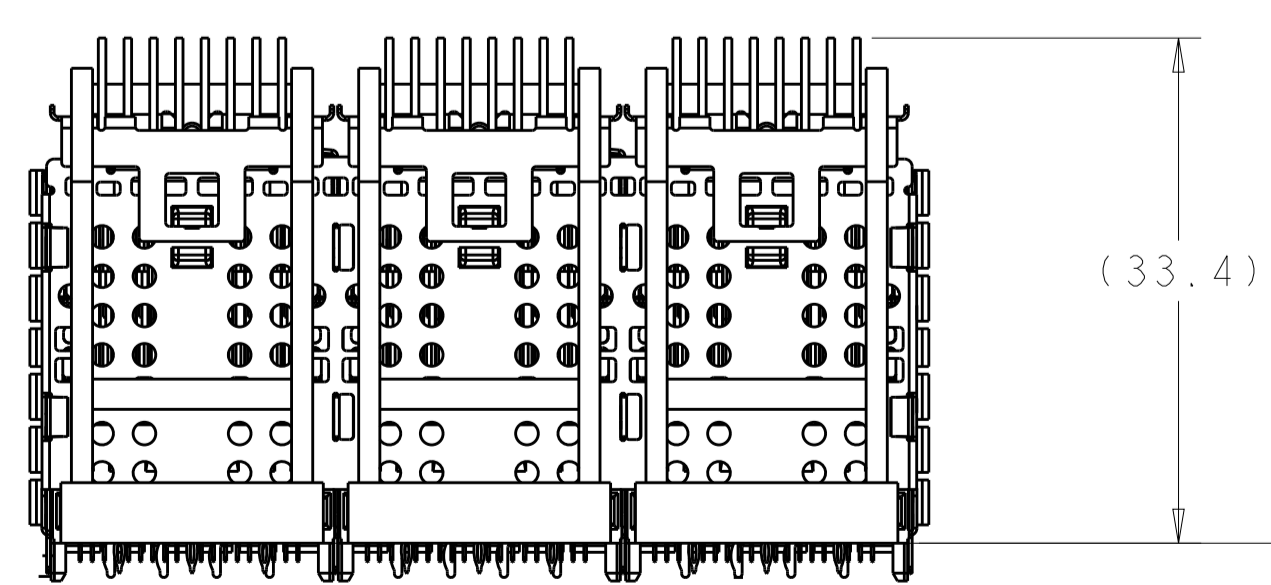
SCALE 2:1



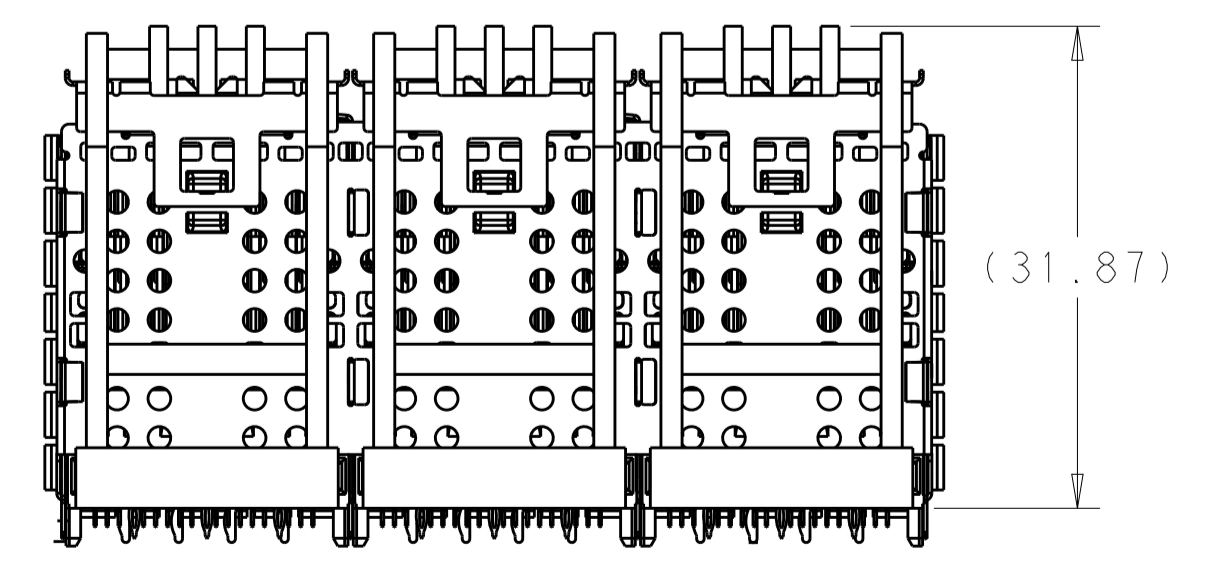
2299924-2  
 SCALE 2:1



2299924-4  
 SCALE 2:1



2299924-6  
 1-2299924-6  
 2-2299924-6  
 3-2299924-6  
 SCALE 2:1



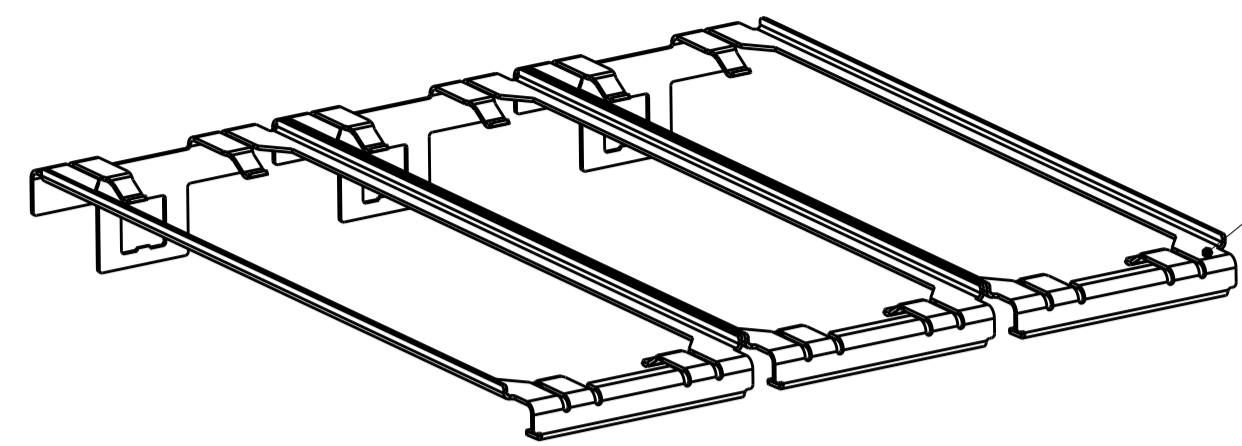
SCALE 2:1

THIS DRAWING IS A CONTROLLED DOCUMENT.		OWN: ARTHUR JIN 20JAN2016	TE Connectivity
DIMENSIONS: mm		CHK: SEAN HAN 20JAN2016	
TOLERANCES UNLESS OTHERWISE SPECIFIED:		APVD: SEAN HAN 20JAN2016	NAME: CAGE AND CONNECTOR ASSEMBLY WITH EMI SPRING FINGERS, THRU BEZEL, 2X3 ZOSFP+ STACKED WITH HS
0 PLC ± 1 PLC ±0.25 2 PLC ±0.15 3 PLC ± 4 PLC ± ANGLES ±		PRODUCT SPEC	
MATERIAL: SEE NOTE 1		WEIGHT: -	RESTRICTED TO: -
FINISH: SEE NOTE 2		CUSTOMER DRAWING	SIZE: A1 CAGE CODE: 100779 DRAWING NO: C=2299924 SCALE: 1:1 SHEET 3 OF 9 REV F

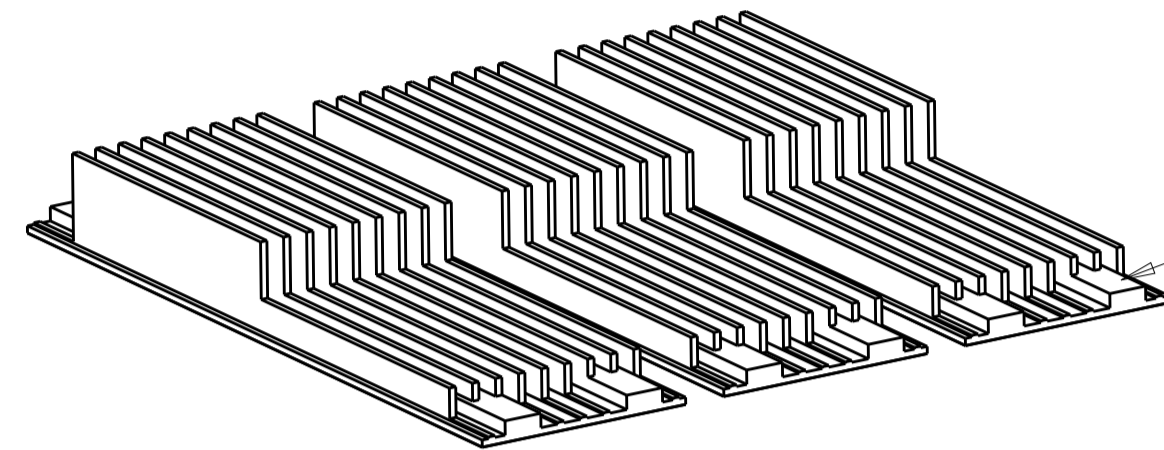


LOC	DIST	REVISIONS					
GP	00	P	LTN	DESCRIPTION	DATE	OWN	APVD
-	-	-	-	SEE SHEET 1	-	-	-

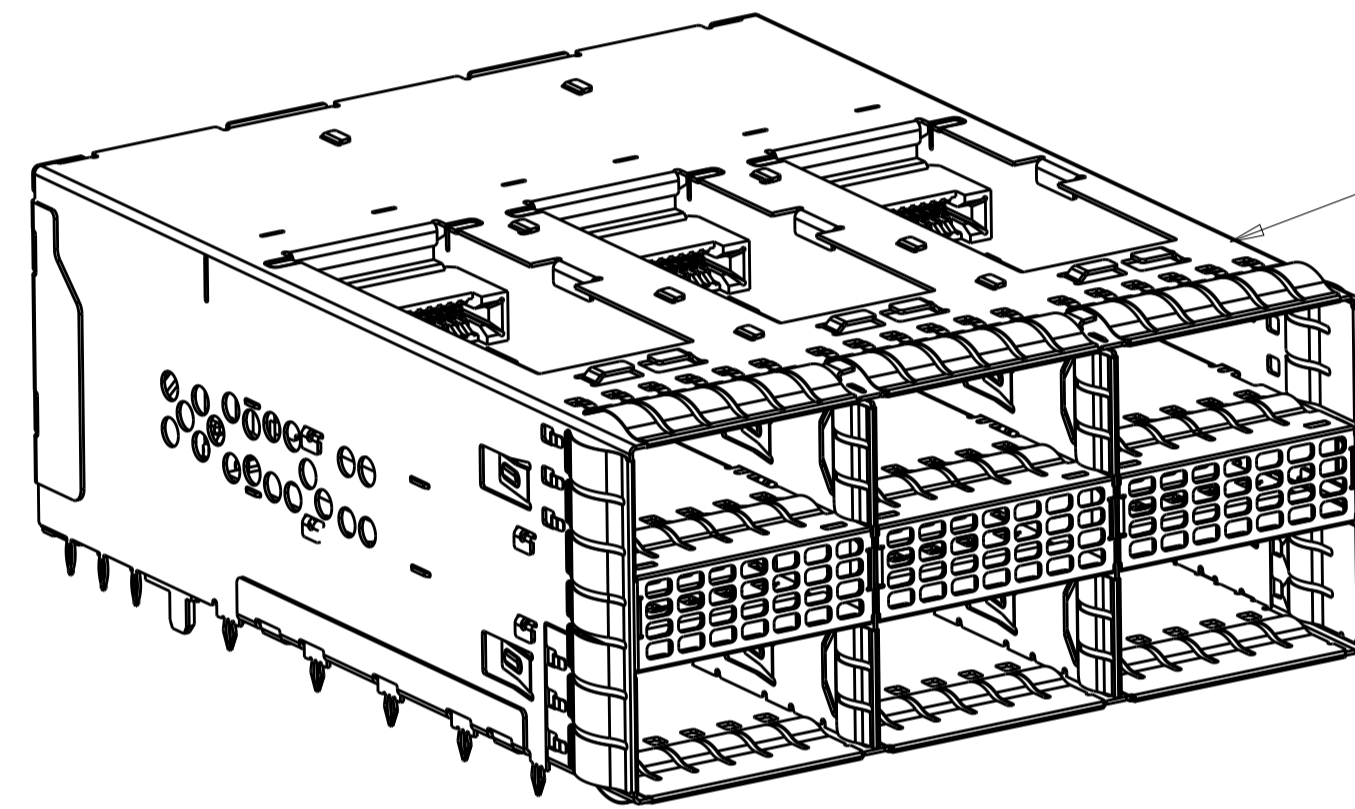
2299924-3 AS SHOWN, KIT PACKAGE



HEAT SINK CLIP  
P/N: 1-2300832-7

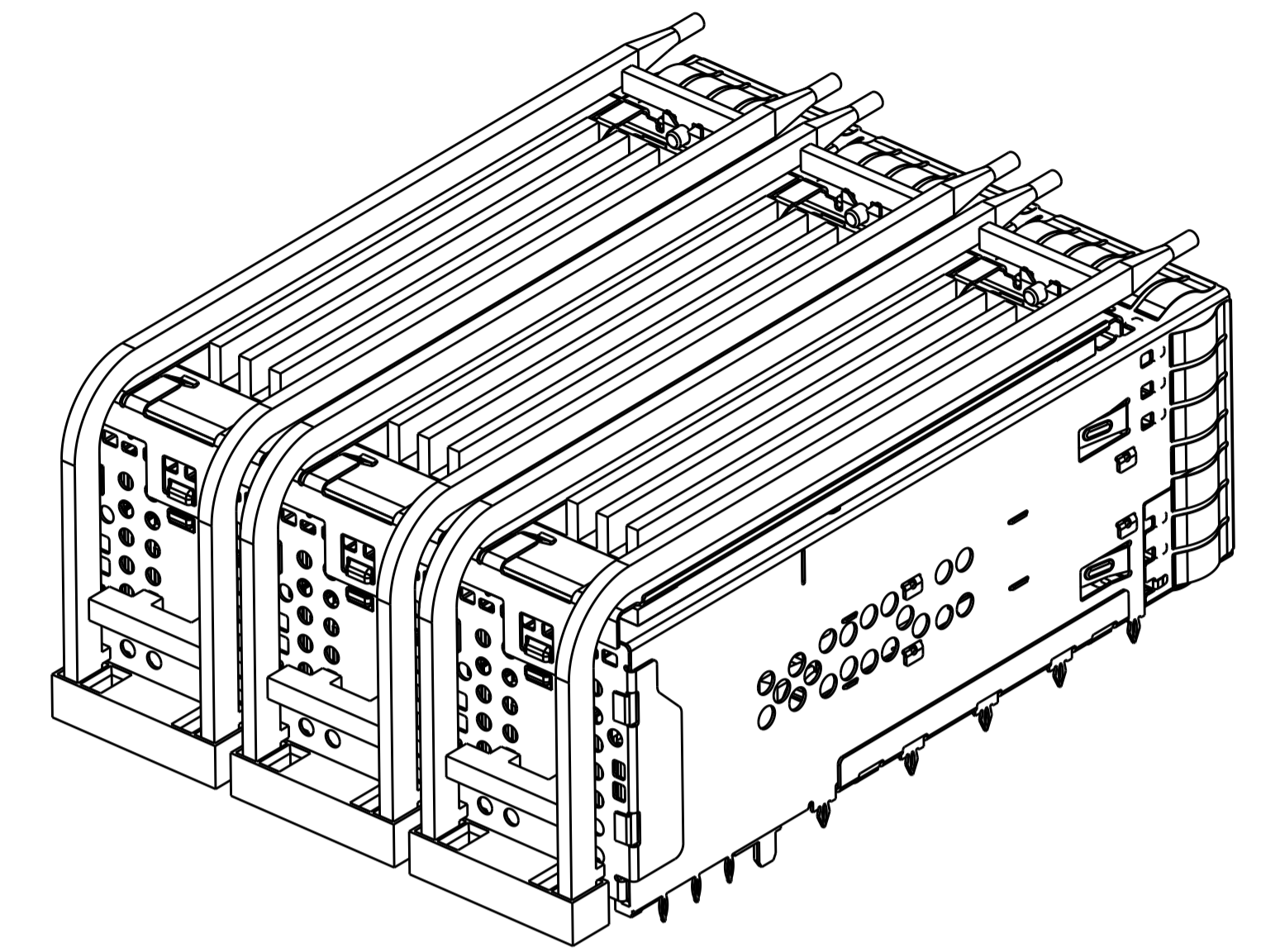


HEAT SINK  
P/N: 1-2304280-3

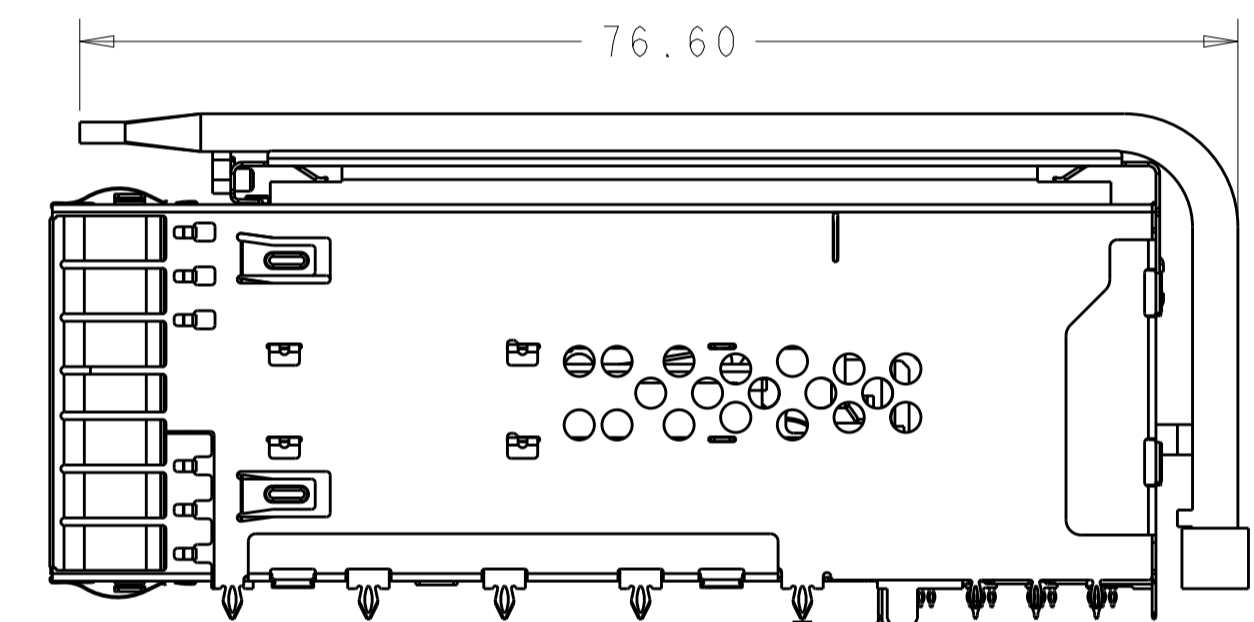


CAGE AND CONNECTOR ASSEMBLY  
P/N: 2299924-4

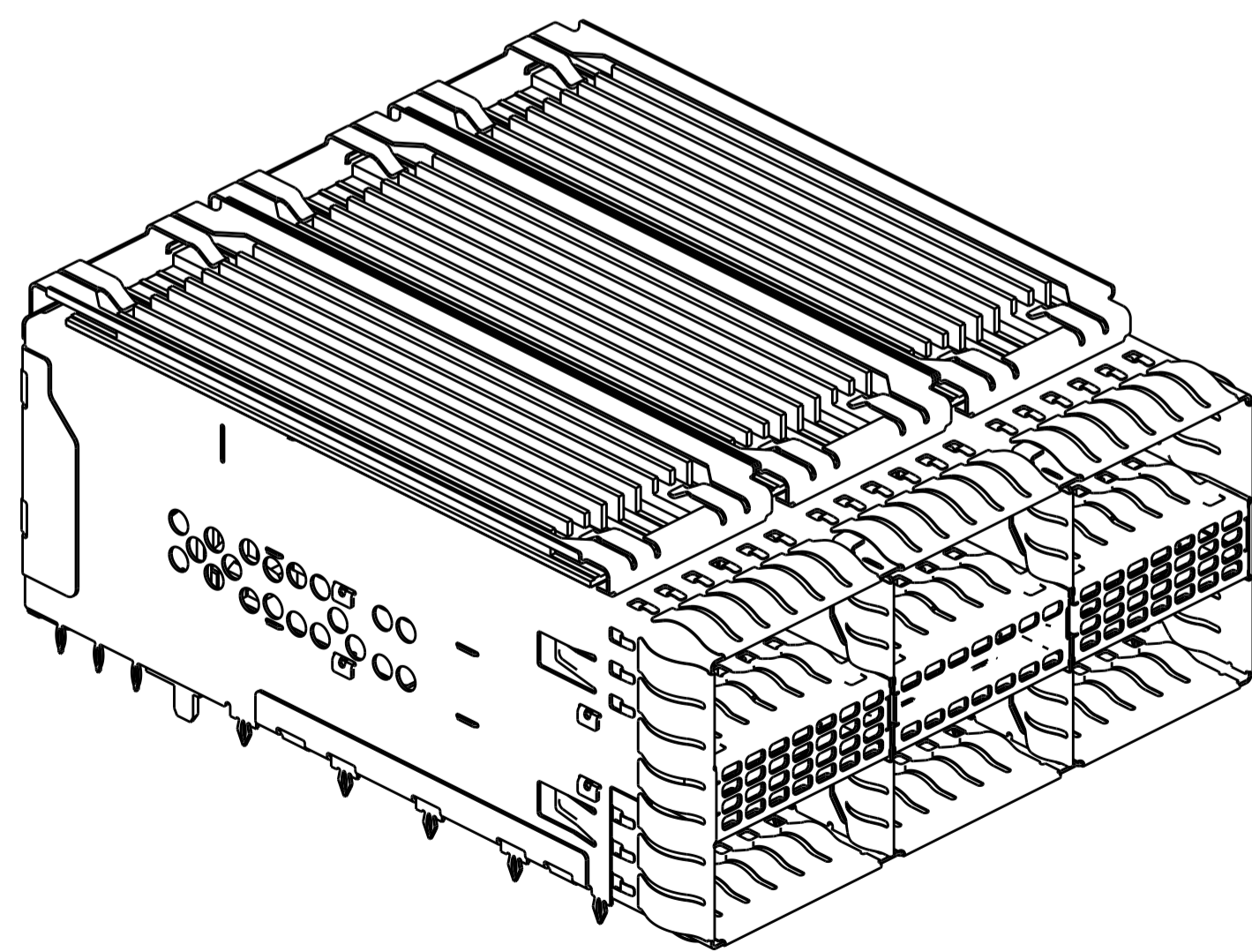
SCALE 2:1



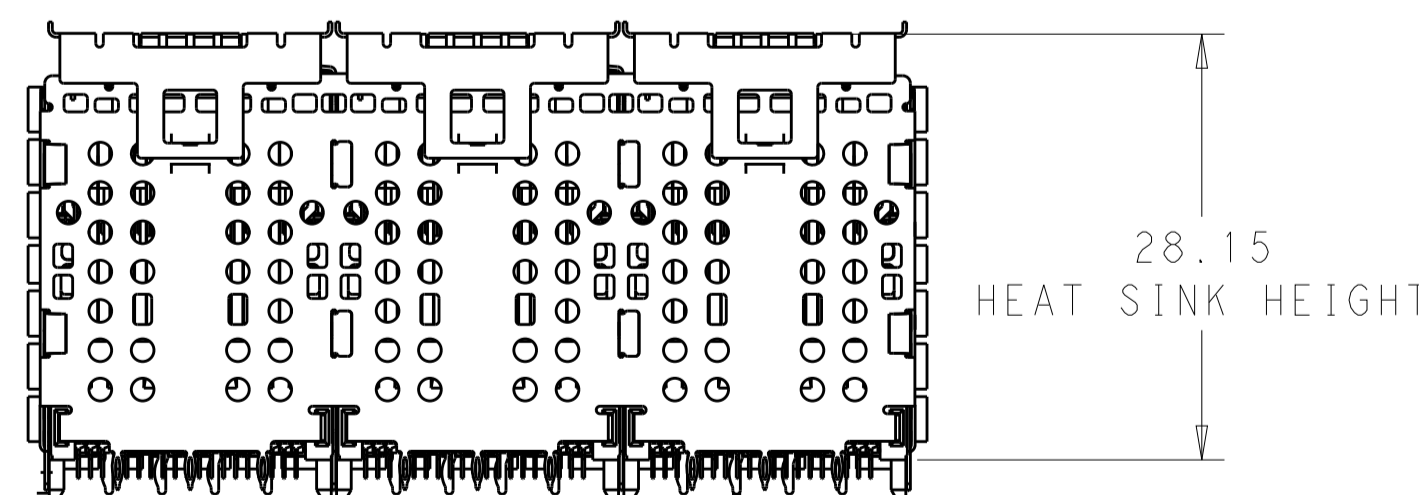
SCALE 2:1



SCALE 2:1

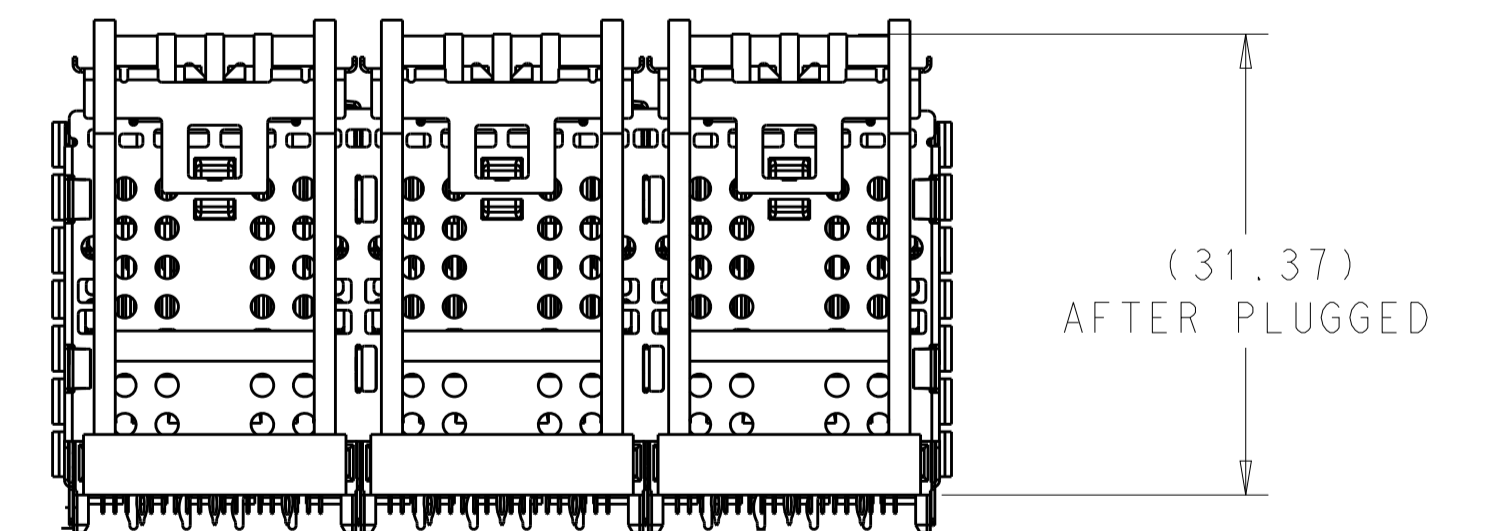


SCALE 2:1



28.15  
HEAT SINK HEIGHT

1-2299924-3 AS SHOWN  
SCALE 2:1



(31.37)  
AFTER PLUGGED

2299924-8 AS SHOWN  
SCALE 2:1

3	1-2300832-7	HEAT SINK CLIP	3
3	1-2304280-3	HEAT SINK	2
1	2299924-4	CAGE AND CONNECTOR ASSEMBLY	1
2299924-3	PART NUMBER	DESCRIPTION	ITEM

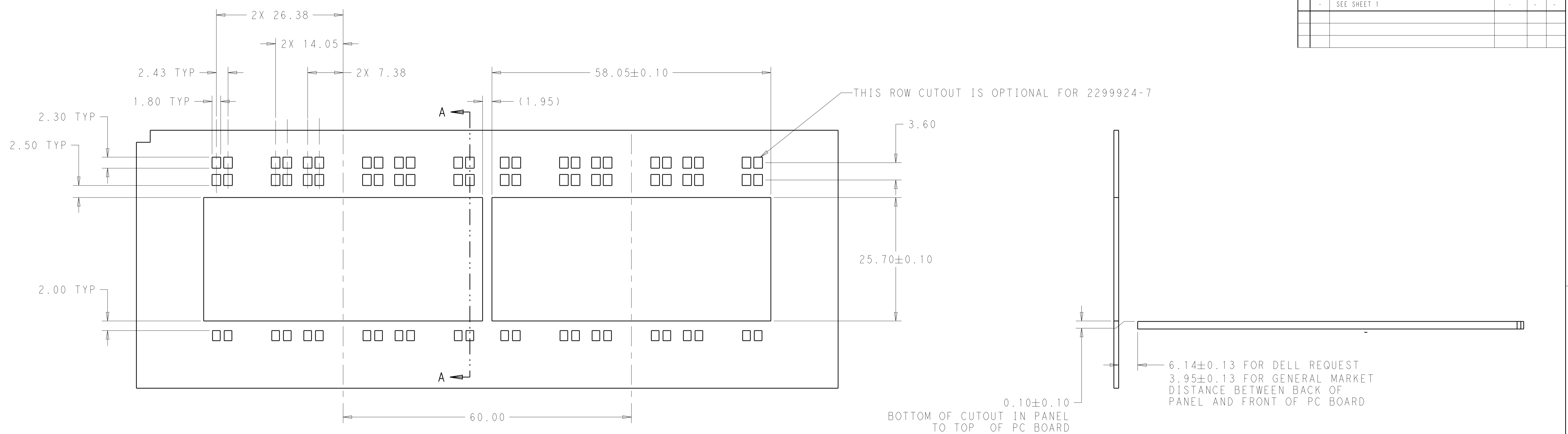
THIS DRAWING IS A CONTROLLED DOCUMENT.		OWN: ARTHUR JIN 20JAN2016	TE Connectivity
DIMENSIONS: mm		CHK: SEAN HAN 20JAN2016	
TOLERANCES UNLESS OTHERWISE SPECIFIED:		APVD: SEAN HAN 20JAN2016	NAME: CAGE AND CONNECTOR ASSEMBLY WITH EMI SPRING FINGERS, THRU BEZEL, 2X3 ZOSFP+ STACKED WITH HS
0 PLC ±	1 PLC ±0.25	PRODUCT SPEC	SIZE: CAGE CODE DRAWING NO. RESTRICTED TO
2 PLC ±0.15	3 PLC ±	APPLICATION SPEC	A100779C=2299924
4 PLC ±	ANGLES ±	WEIGHT	SCALE 1:1 SHEET 4 OF 9 REV F
MATERIAL FINISH	SEE NOTE 2	CUSTOMER DRAWING	



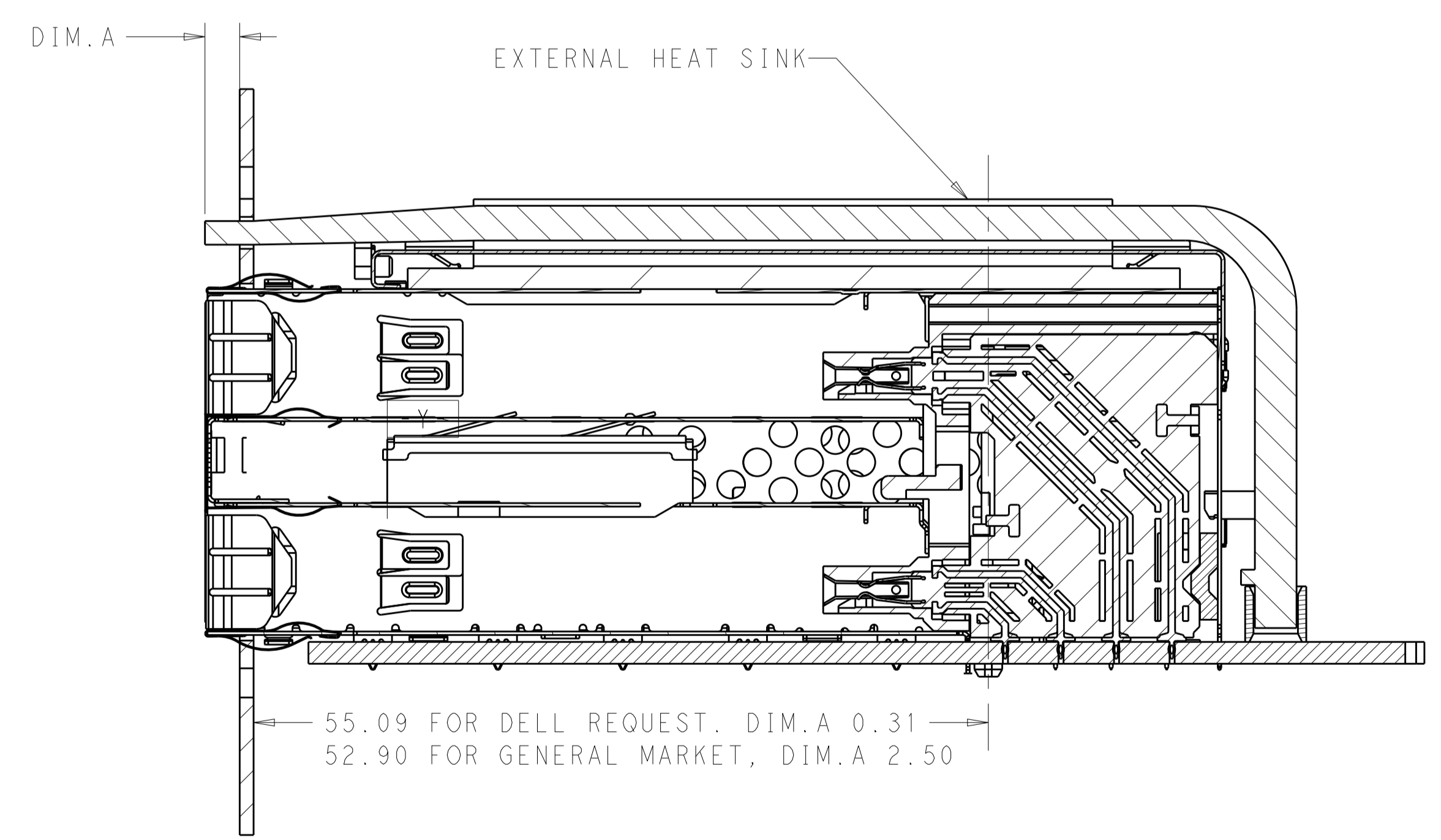
LOC	DIST	REV	DATE	BY	APPV
GP	00				

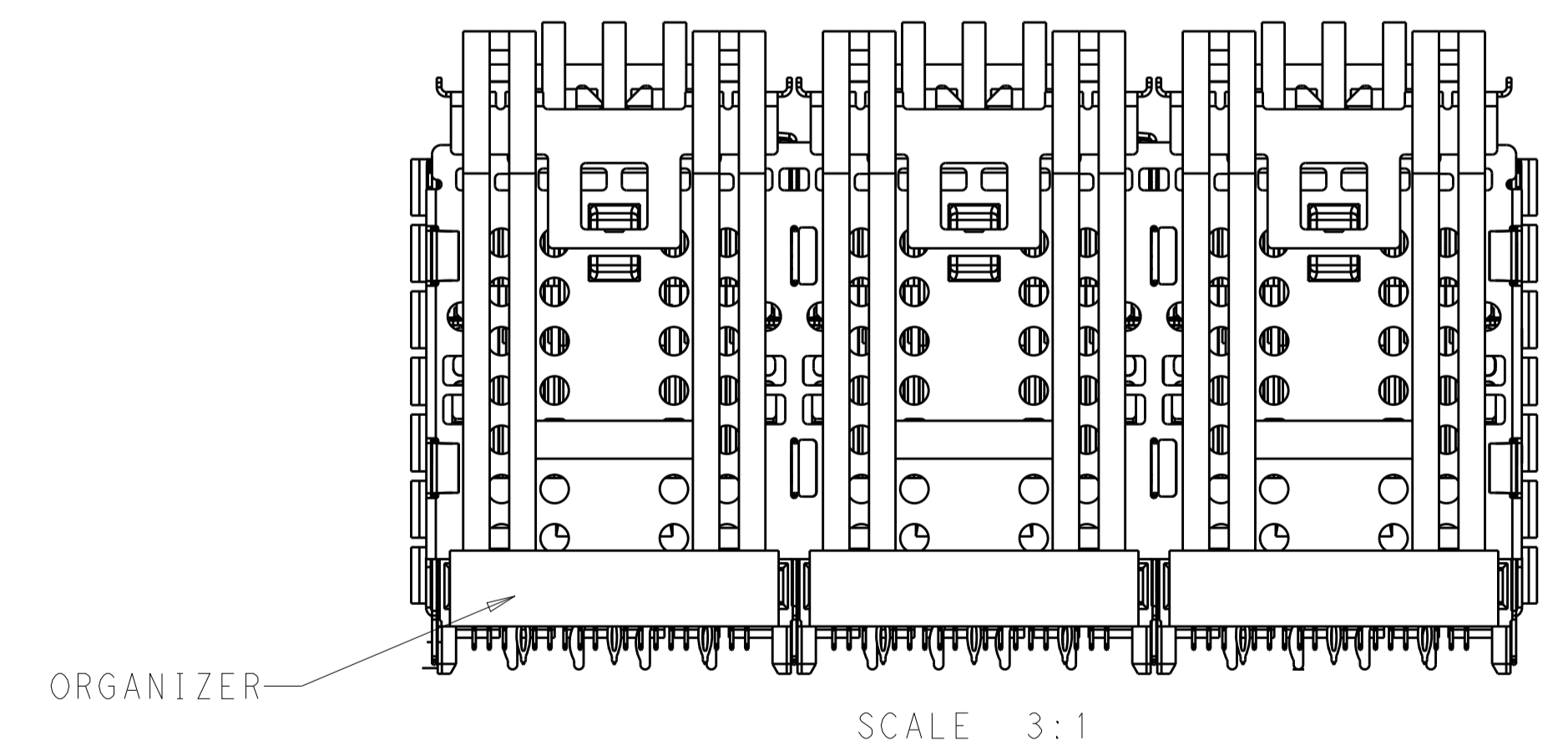
REVISIONS					
REV	DATE	BY	APPV	DESCRIPTION	DATE
-	-	-	-	SEE SHEET 1	-



RECOMMENDED PANEL CUTOUT AND PC BOARD, PANEL POSITION  
 SCALE 5:2



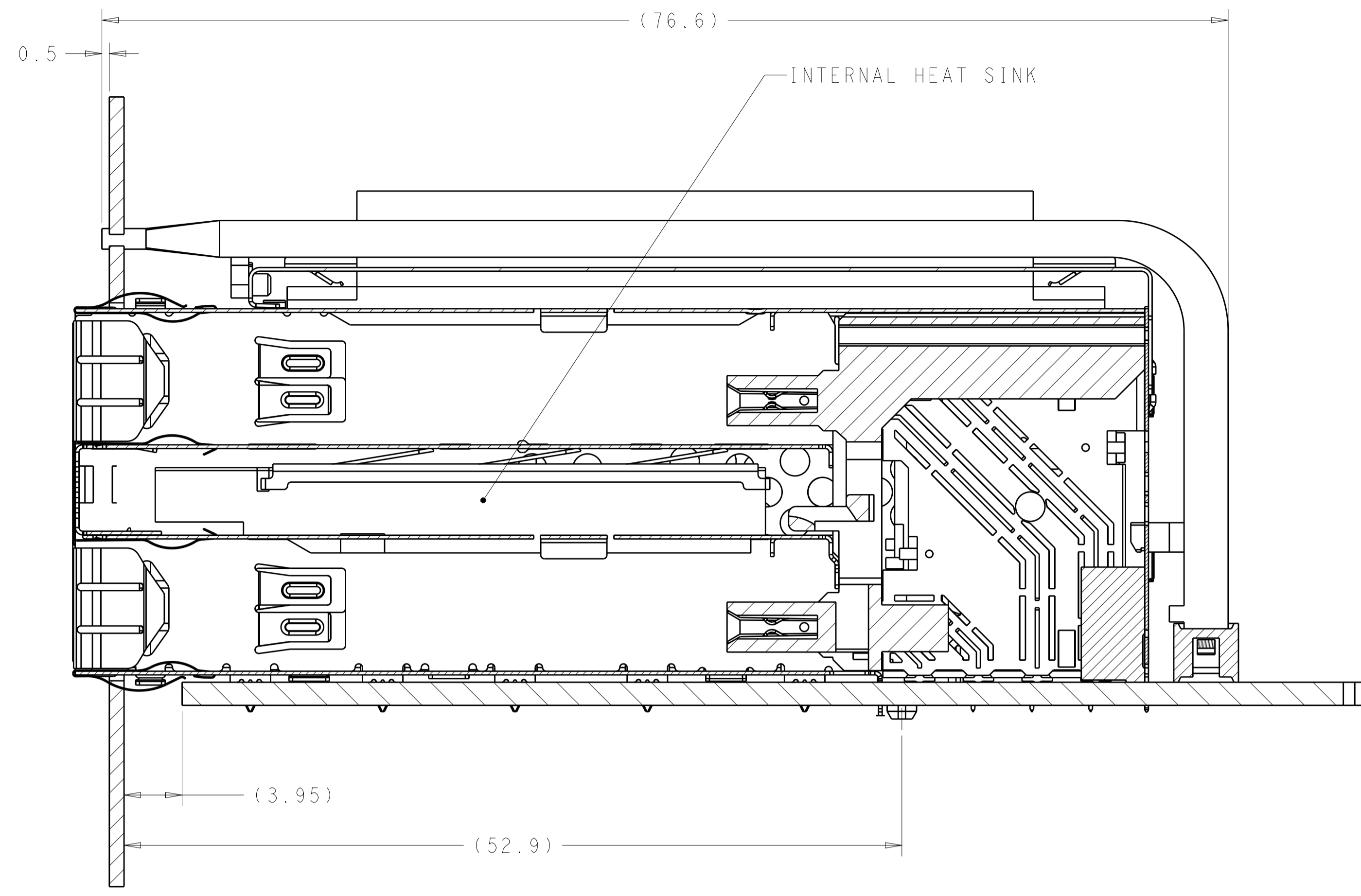
SECTION A-A  
 SCALE 3:1



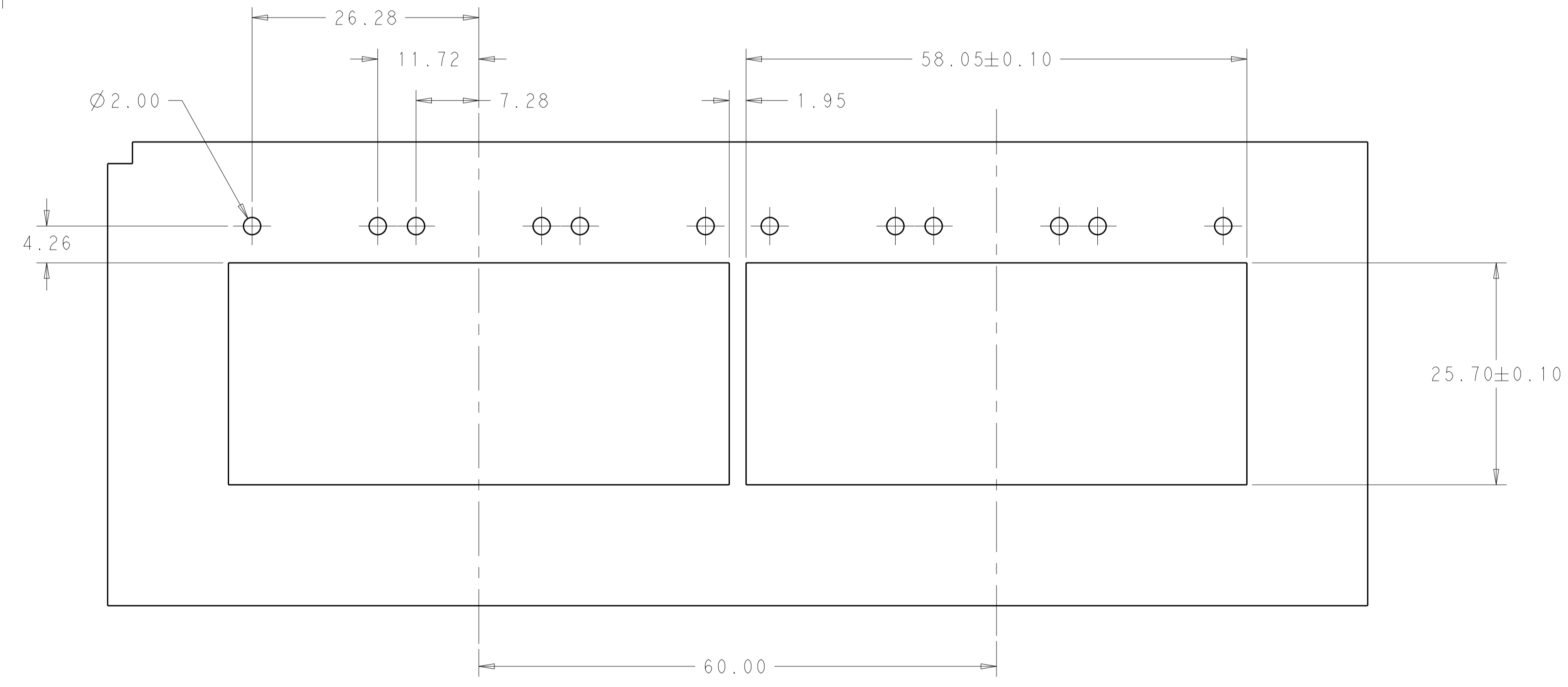
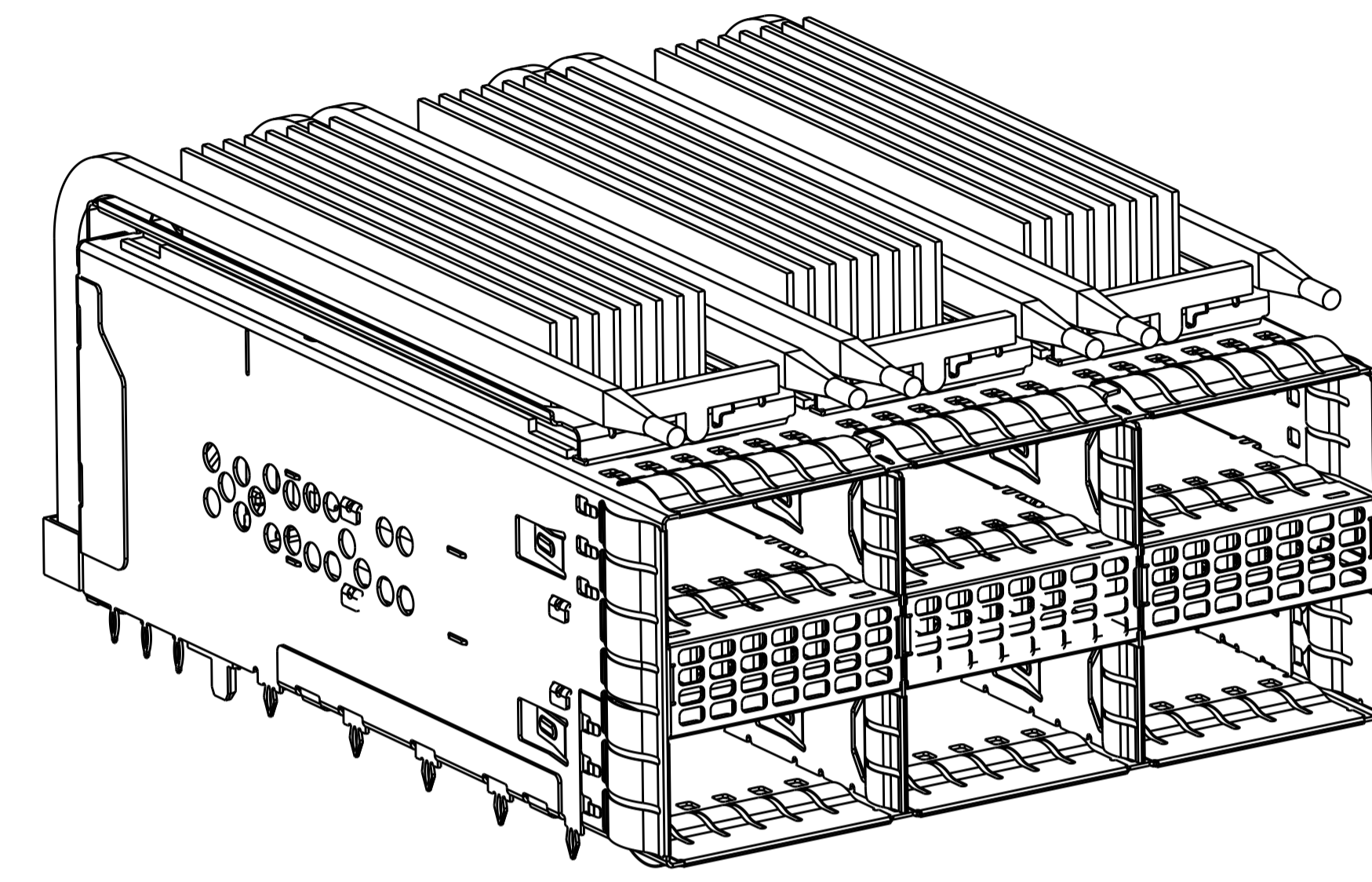
SCALE 3:1

THIS DRAWING IS A CONTROLLED DOCUMENT.		OWN: ARTHUR JIH 20JAN2016	<b>STE</b> TE Connectivity
DIMENSIONS: mm		CHK: SEAN HAN 20JAN2016	
TOLERANCES UNLESS OTHERWISE SPECIFIED:		APPV: SEAN HAN 20JAN2016	NAME: CAGE AND CONNECTOR ASSEMBLY WITH EMI SPRING FINGERS, THRU BEZEL, 2X3 ZOSFP+ STACKED WITH HS
0 PLC ±	1 PLC ±0.25	PRODUCT SPEC	SIZE: A100779
2 PLC ±0.15	3 PLC ±	APPLICATION SPEC	CAGE CODE: C=2299924
4 PLC ±	ANGLES ±	WEIGHT	RESTRICTED TO
MATERIAL: SEE NOTE 1	FINISH: SEE NOTE 2	CUSTOMER DRAWING	SCALE: 1:1 SHEET 5 OF 9 REV F

LOC	DIST	REVISIONS			
P	LTN	DESCRIPTION	DATE	OWN	APVD
-	-	SEE SHEET 1	-	-	-



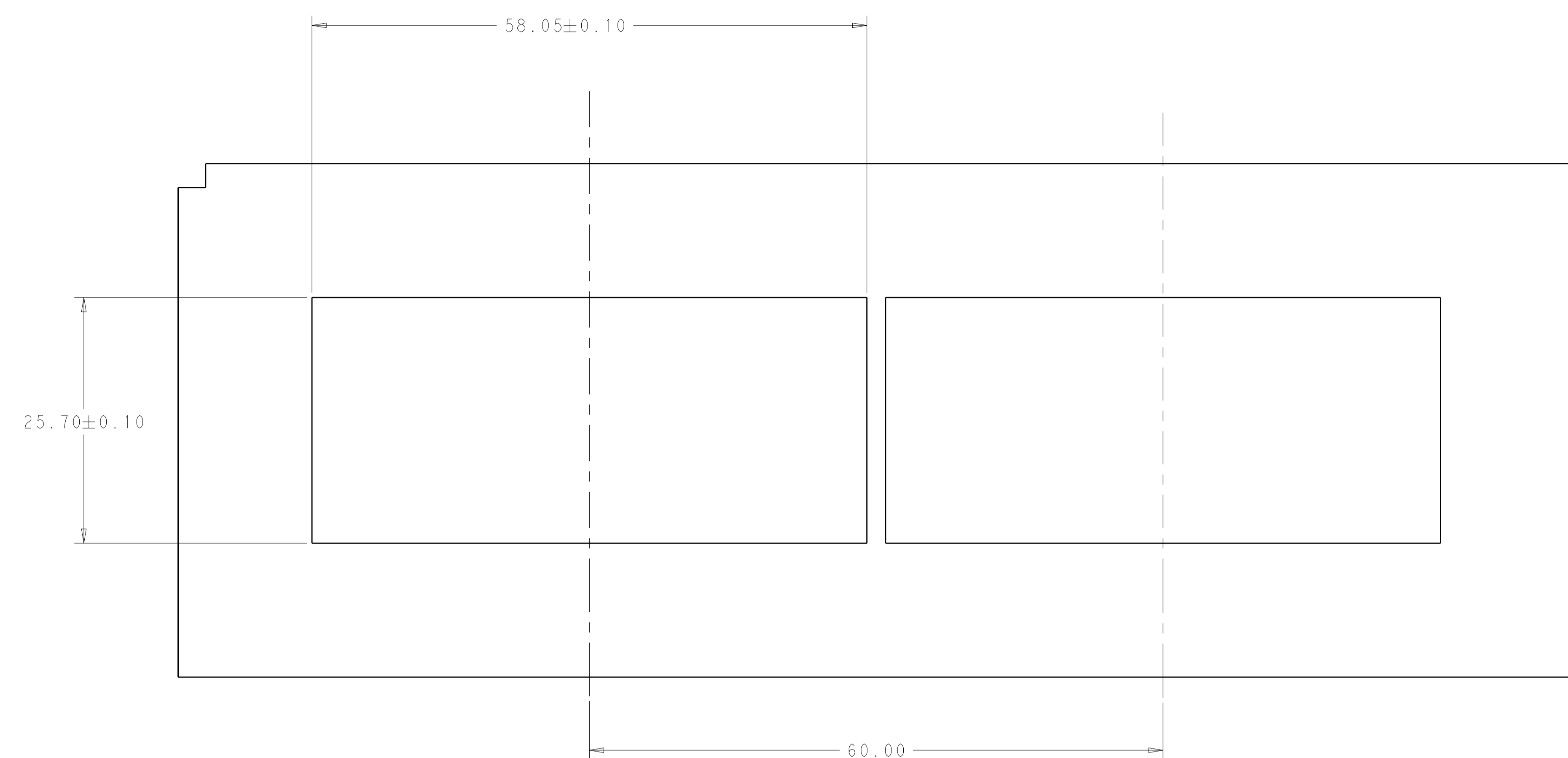
2299924-6  
 1-2299924-6  
 SECTION V-V  
 SCALE 4:1



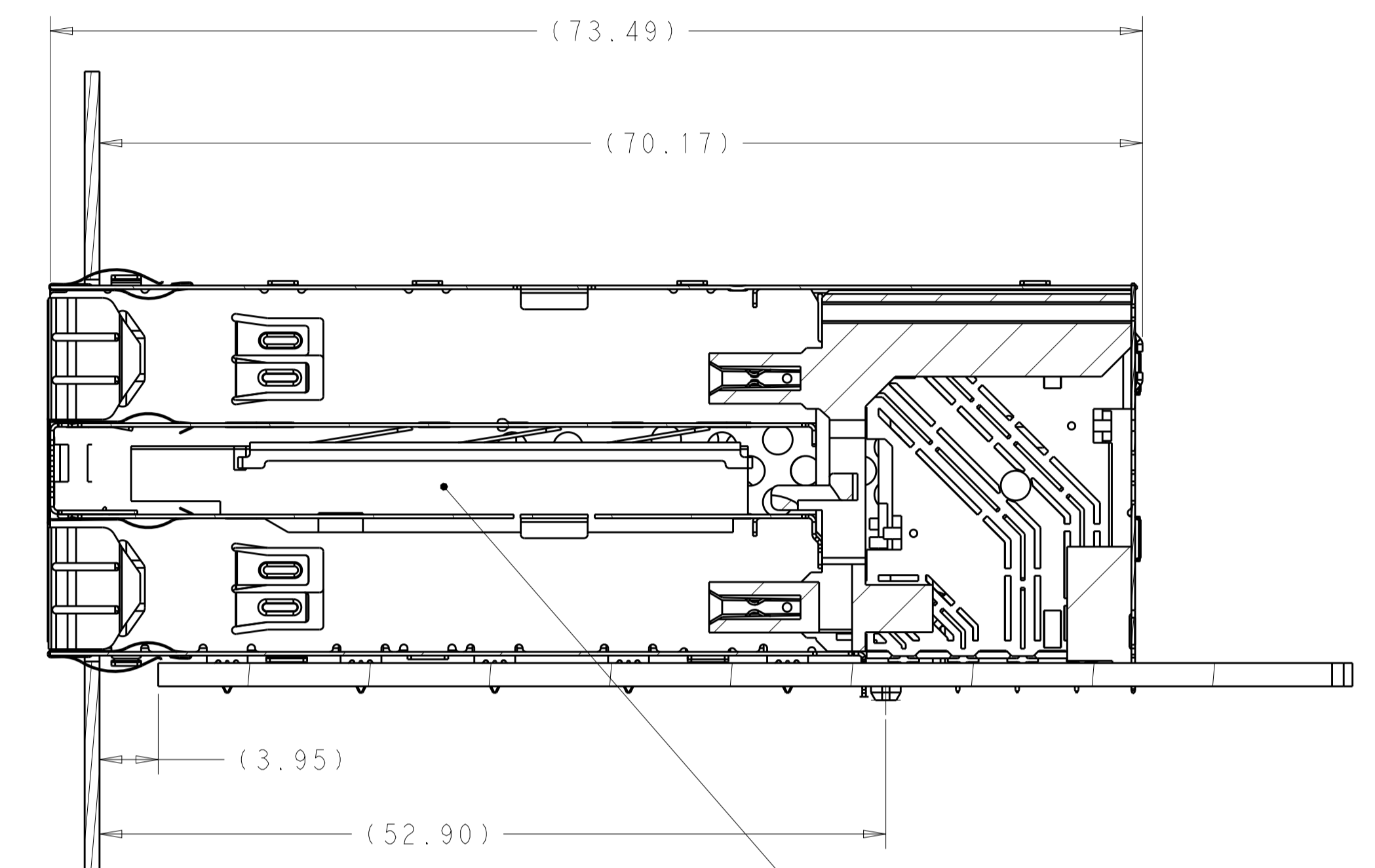
2299924-6  
 1-2299924-0  
 1-2299924-6  
 2-2299924-6  
 3-2299924-6  
 RECOMMENDED PANEL CUTOUT  
 SCALE 5:2

THIS DRAWING IS A CONTROLLED DOCUMENT.		OWN: ARTHUR JIN 20JAN2016	TE Connectivity
DIMENSIONS: mm		CHK: SEAN HAN 20JAN2016	
TOLERANCES UNLESS OTHERWISE SPECIFIED:		APVD: SEAN HAN 20JAN2016	NAME: CAGE AND CONNECTOR ASSEMBLY WITH EMI SPRING FINGERS, THRU BEZEL, 2X3 ZOSFP+ STACKED WITH HS
0 PLC	±	PRODUCT SPEC	APPLICATION SPEC
1 PLC	±0.25	SIZE: A1	CAGE CODE: 00779
2 PLC	±0.15	WEIGHT: -	DRAWING NO: C=2299924
3 PLC	±	CUSTOMER DRAWING	SCALE: 1:1
4 PLC	±	RESTRICTED TO	SHEET 6 OF 9
ANGLES	±	REV: F	

LOC	DIST	REVISIONS					
GP	00	P	LYR	DESCRIPTION	DATE	DWN	APVD
-	-	-	-	SEE SHEET 1	-	-	-

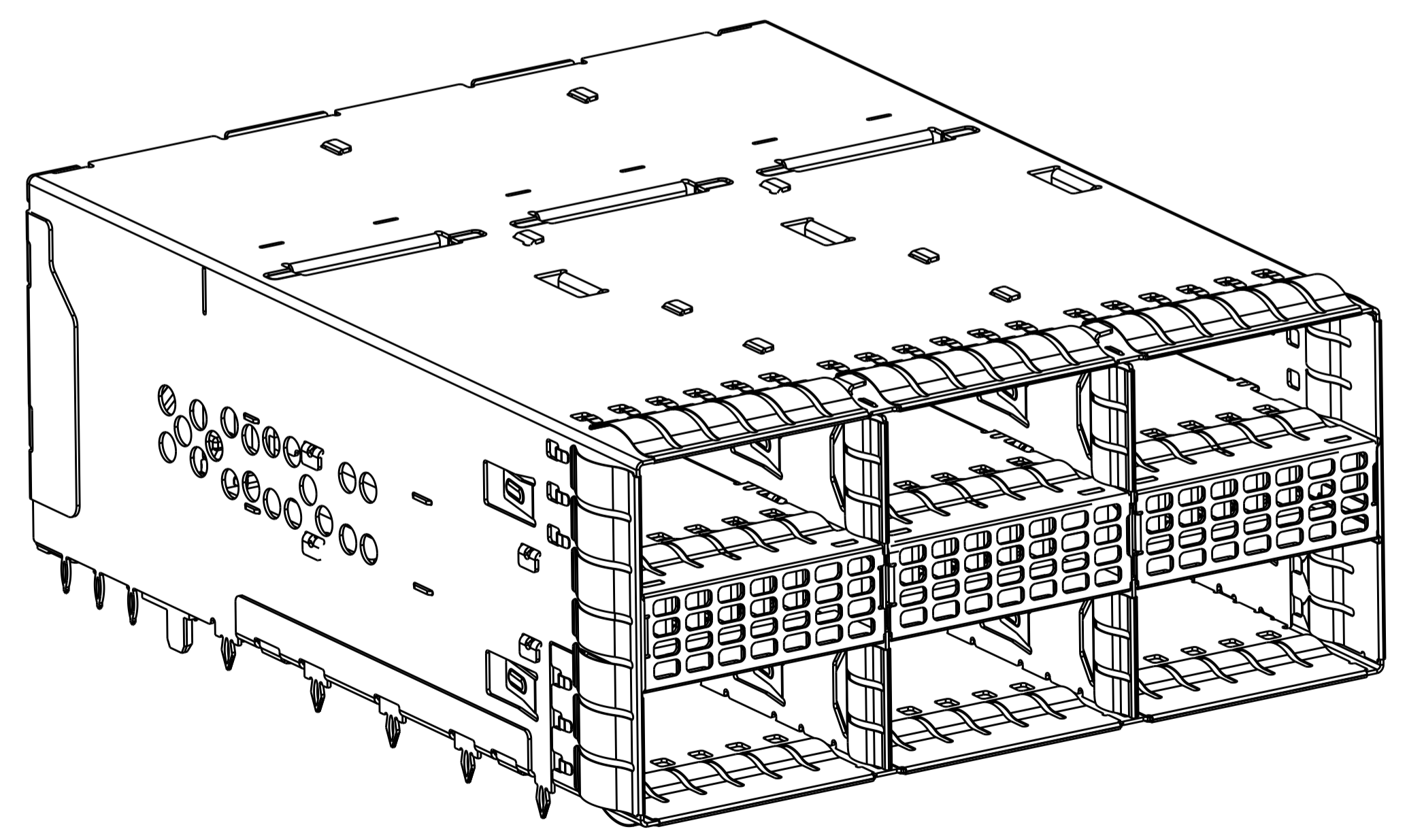


RECOMMENDED PANEL CUTOUT  
 SCALE 3:1



INTERNAL HEATSINK

2-2299924-4  
 SECTION V-V  
 SCALE 3:1



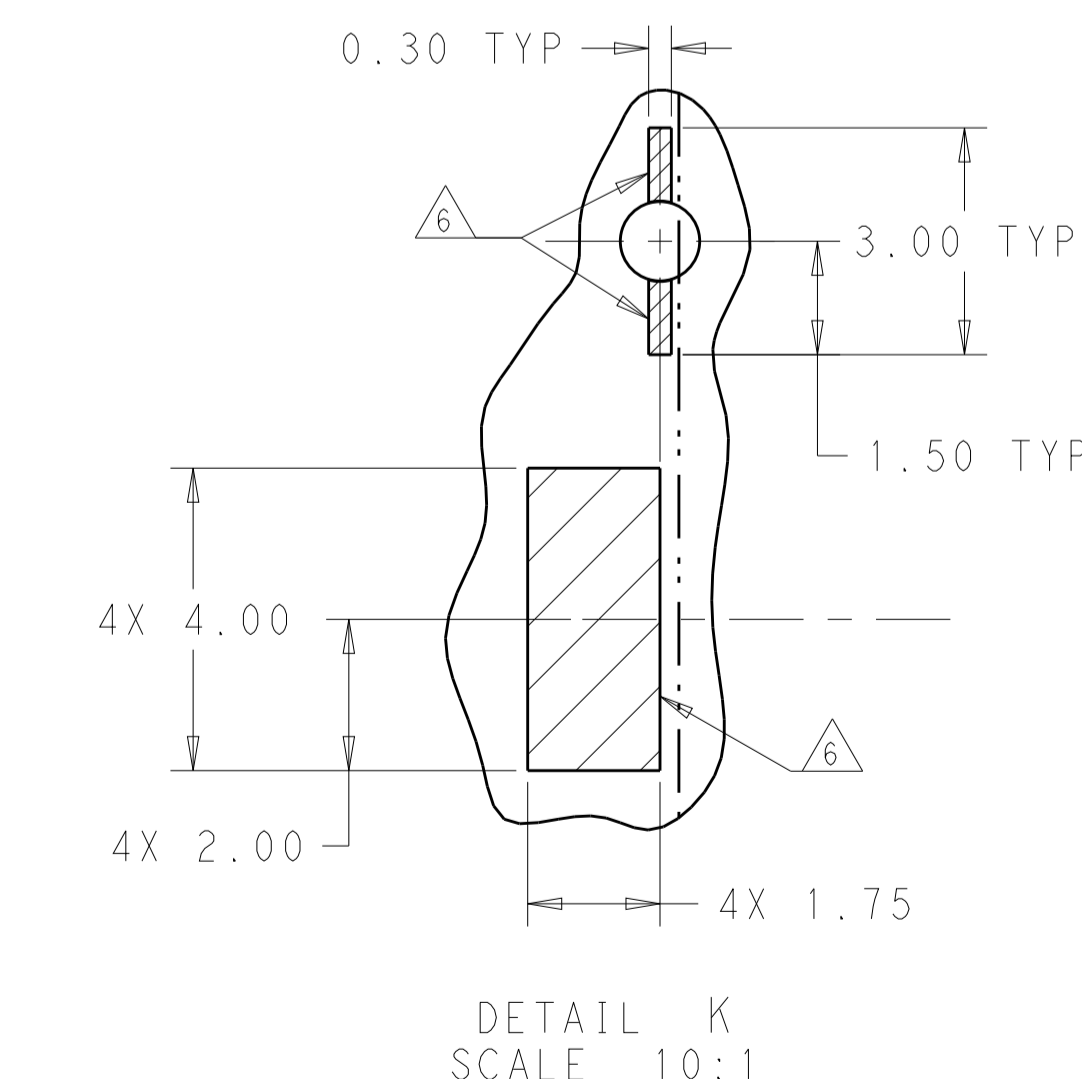
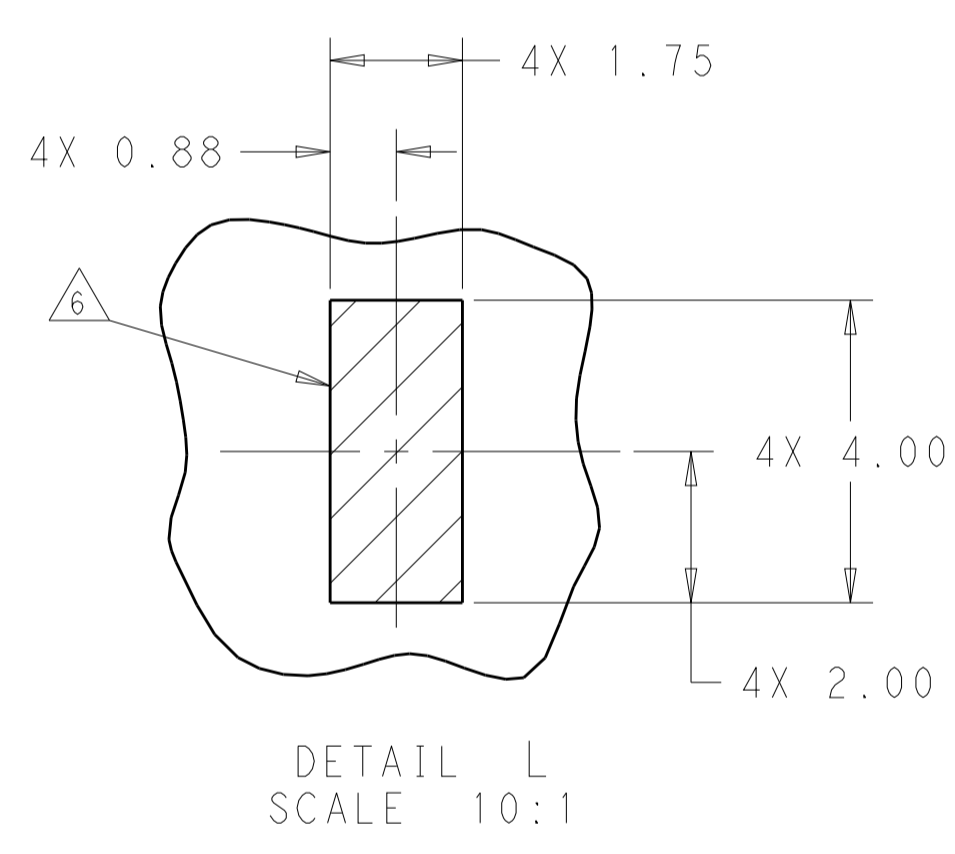
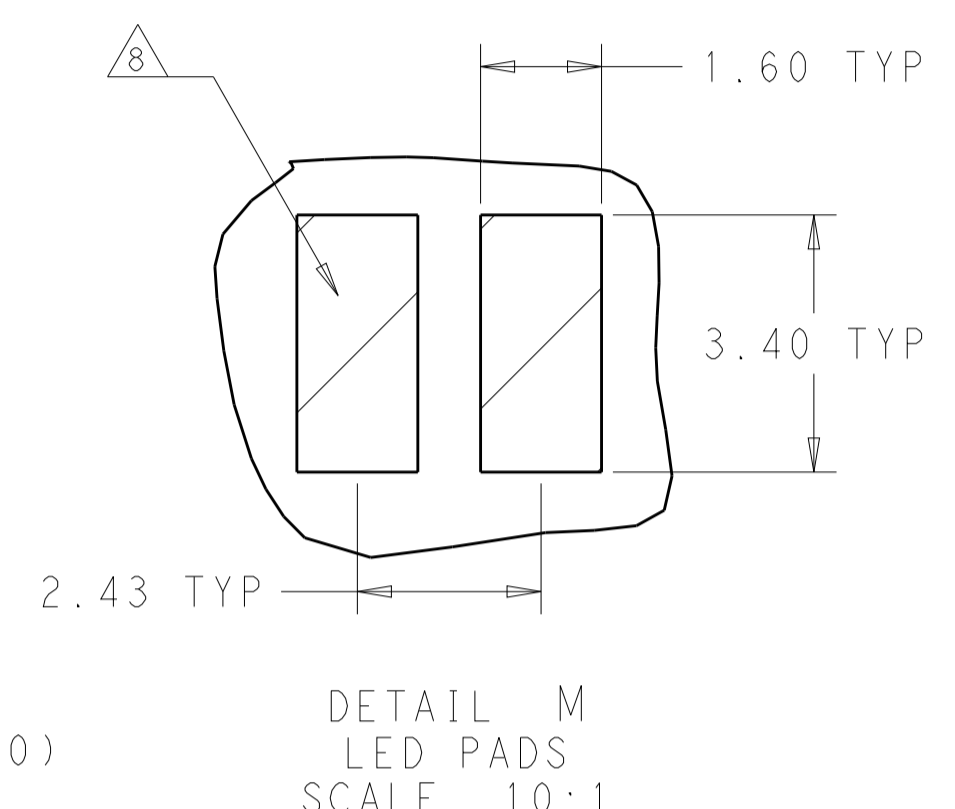
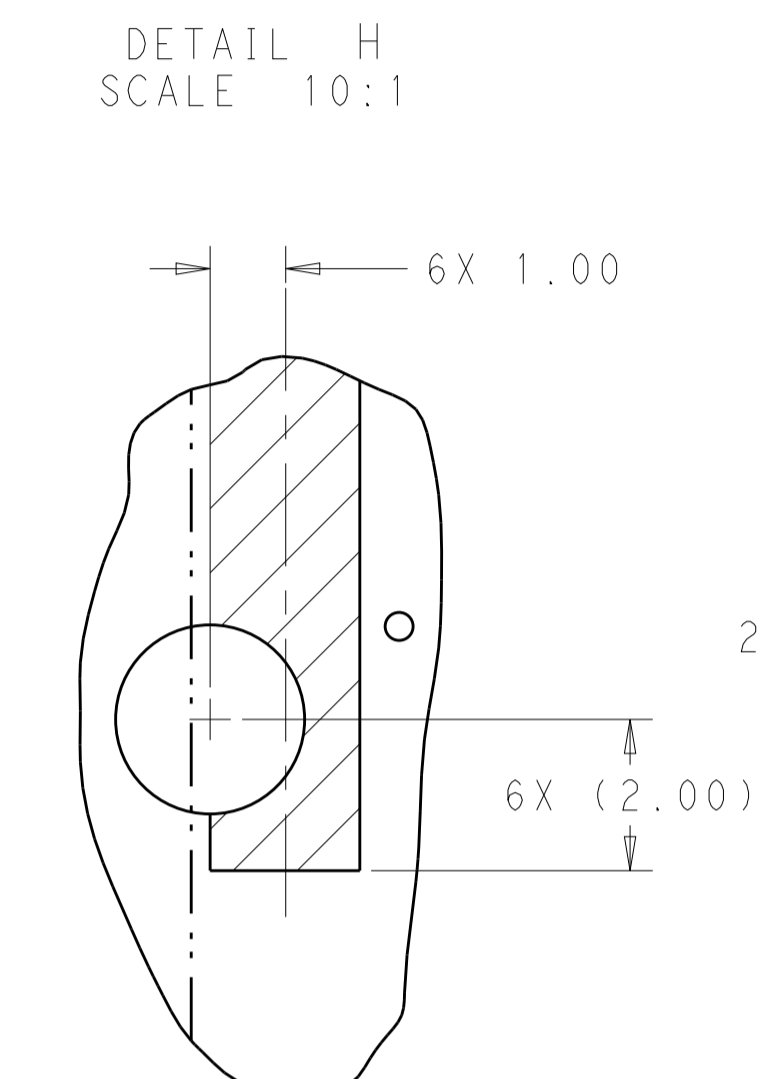
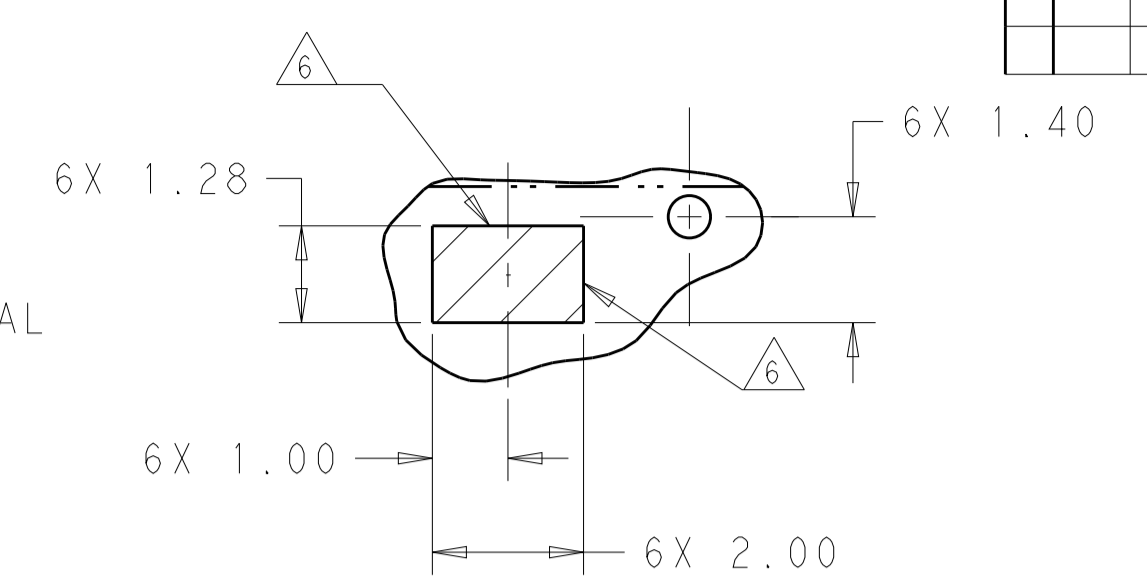
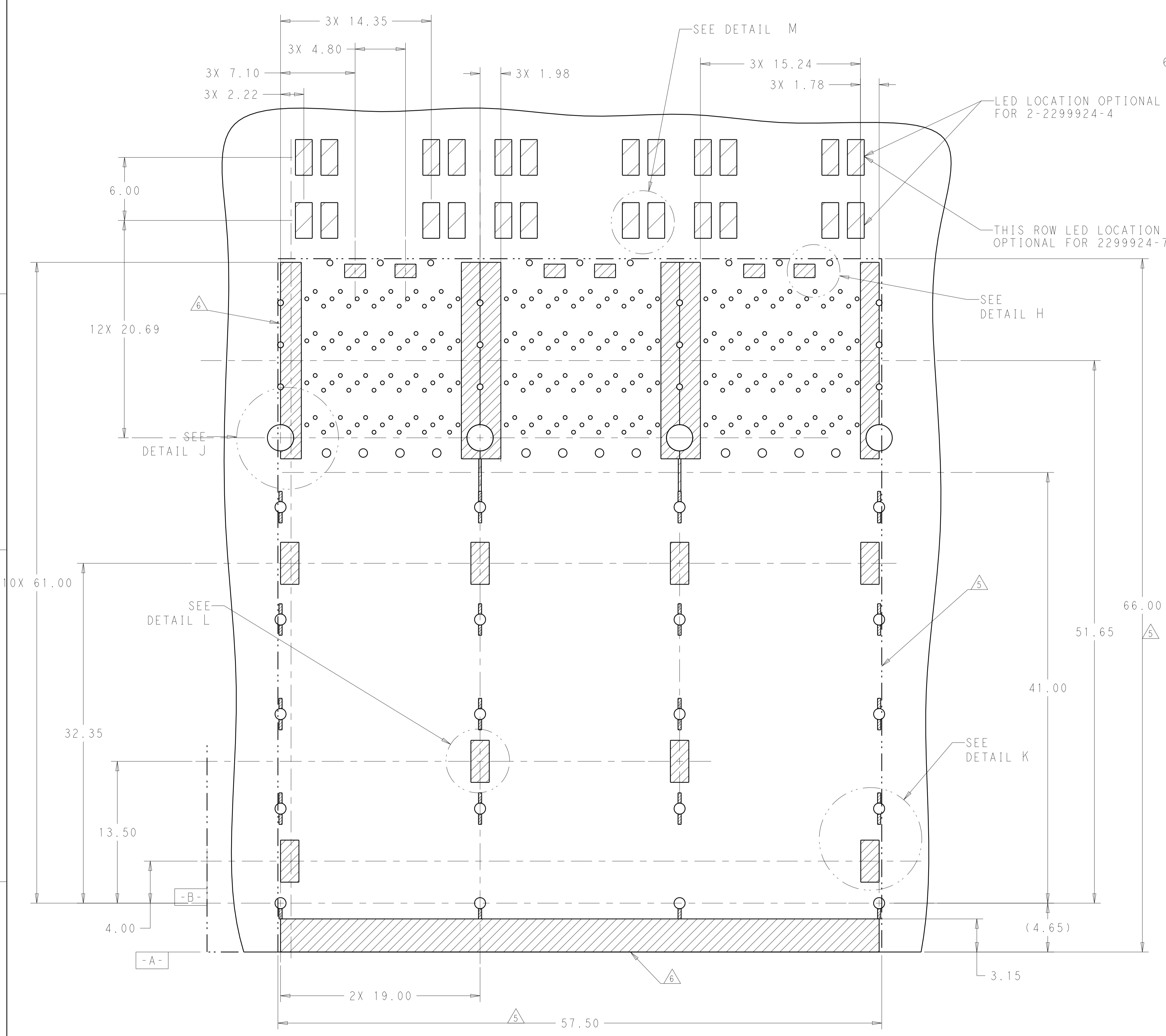
SCALE 3:1

THIS DRAWING IS A CONTROLLED DOCUMENT.		DWN: ARTHUR JIH 20JAN2016	TE Connectivity
DIMENSIONS: mm		CHK: SEAN HAN 20JAN2016	
TOLERANCES UNLESS OTHERWISE SPECIFIED: 0 PLC ± 1 PLC ±0.25 2 PLC ±0.15 3 PLC ± 4 PLC ± ANGLES ±		APVD: SEAN HAN 20JAN2016	NAME: CAGE AND CONNECTOR ASSEMBLY WITH EMI SPRING FINGERS, THRU BEZEL, 2X3 ZQSFP+ STACKED WITH HS
MATERIAL: SEE NOTE 1		FINISH: SEE NOTE 2	RESTRICTED TO: A100779C=2299924
CUSTOMER DRAWING		SCALE: 1:1	SHEET 7 OF 9 REV F





LOC		DIST		REVISIONS			
GP	00	P	LTN	DESCRIPTION	DATE	DMN	APVD
		-	-	SEE SHEET 1	-	-	-



KEEPOUT AREAS COMPONENT  
 SIDE OF BOARD FOR 4 LP  
 SCALE 5:1

THIS DRAWING IS A CONTROLLED DOCUMENT.		OWN: ARTHUR JIH 20JAN2016	TE Connectivity
DIMENSIONS: mm		CHK: SEAN HAN 20JAN2016	
TOLERANCES UNLESS OTHERWISE SPECIFIED:		APVD: SEAN HAN 20JAN2016	NAME: CAGE AND CONNECTOR ASSEMBLY WITH EMI SPRING FINGERS, THRU BEZEL, 2X3 ZOSFP+ STACKED WITH HS
0 PLC ±	1 PLC ±0.25	PRODUCT SPEC	SIZE: CAGE CODE DRAWING NO. RESTRICTED TO
2 PLC ±0.15	3 PLC ±	APPLICATION SPEC	A100779C=2299924
4 PLC ±	ANGLES ±	WEIGHT	SCALE 1:1 SHEET 9 of 9 REV F
MATERIAL: SEE NOTE 1	FINISH: SEE NOTE 2	CUSTOMER DRAWING	

## X-ON Electronics

Largest Supplier of Electrical and Electronic Components

*Click to view similar products for [I/O Connectors](#) category:*

*Click to view products by [TE Connectivity](#) manufacturer:*

Other Similar products are found below :

[571763P](#) [58098-0628](#) [72.250.1628.2](#) [72.250.2428.2](#) [74720-0505](#) [76.350.0729.0](#) [76871-1403](#) [FCN-244F080-G/1](#) [FCN-260A9920](#) [PCR-E36PM](#) [PCS-XE26MA+](#) [G38A71314B](#) [1571250010](#) [157-22500-3](#) [MS3471L14-19P L/C](#) [172501-4002](#) [172501-6002](#) [FCN-260C008-A/L0](#) [FCN-260C024-AL0](#) [FCN-261Z008](#) [2000314-1](#) [200331-1](#) [PCR-E36FC+](#) [PCS-E28FS+](#) [PCS-XE26SLFD+](#) [PCS-XE26SLFDT+](#) [G730VID08BDC24](#) [U90B2054081210](#) [38113800006](#) [DP3AR020WQ1R200](#) [Z4.102.0680.0](#) [500-1040](#) [500-1052](#) [500-1054](#) [ZP-4008-66L](#) [0709821002](#) [DX40-20P\(55\)](#) [5554841-1](#) [MS3474W18-8P-LC\\*](#) [U90B3054061110](#) [U65-E04-4020](#) [ZPF000000000097891](#) [747360449](#) [10099439-003C-TRLF](#) [10137239-0021LF](#) [E9320-001-01](#) [10137239-0011LF](#) [70289-001LF](#) [70.060.1028.0](#) [109029-ZZ](#)