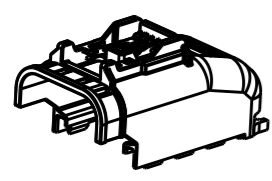


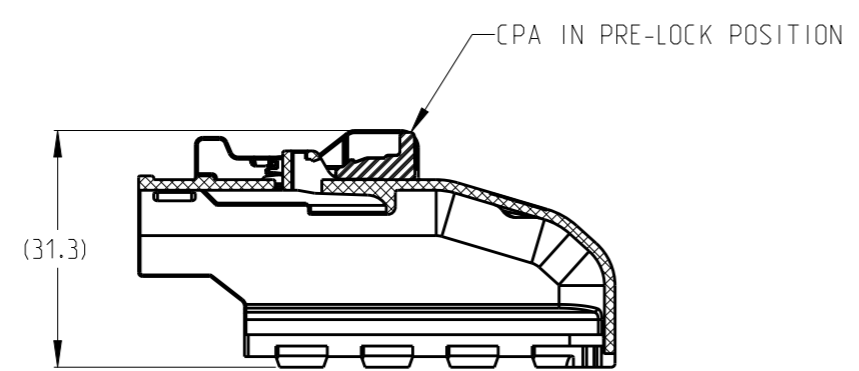
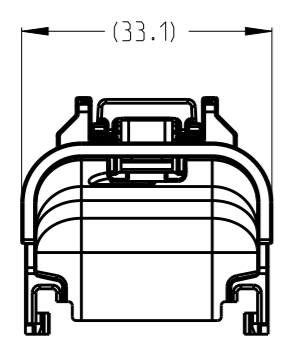
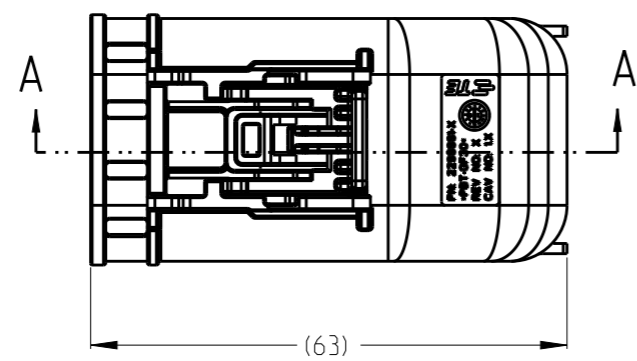
THIS DRAWING IS UNPUBLISHED. RELEASED FOR PUBLICATION 20
 © COPYRIGHT 20 BY - ALL RIGHTS RESERVED.

REVISIONS					
P	LTR	DESCRIPTION	DATE	DWN	APVD
A		FIRST RELEASE	02NOV2016	R.T	I.Y
B		ECR-17-005216	14APR2017	R.T	I.Y

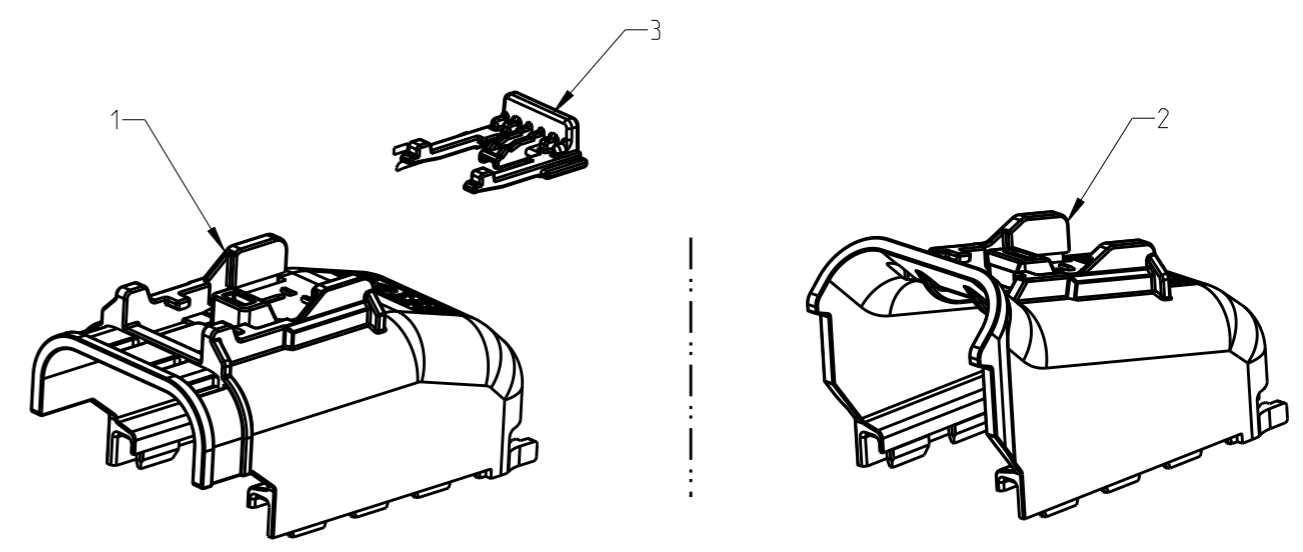
0-2299988-X AS SHOWN



SCALE 1:2



SECTION A-A

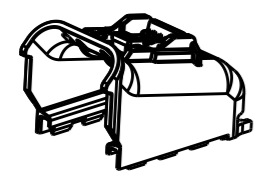


EXPLODED VIEW

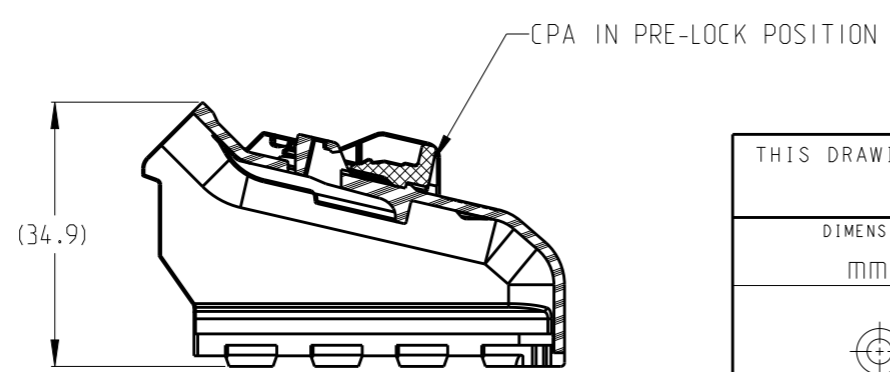
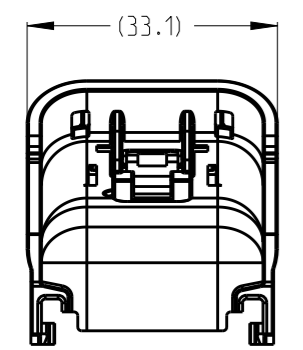
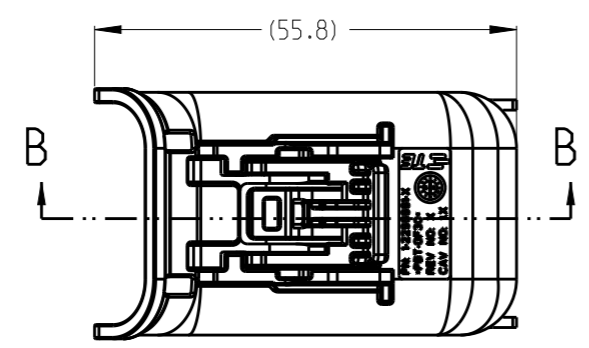
NOTES:

- CPA MUST IN PRE-LOCK POSITION ON DELIVERY.
- PN 0-2299988-X SUITABLE HOUSING ASSEMBLY TE PN: 0-2299987-X.
 PN 1-2299988-X SUITABLE HOUSING ASSEMBLY TE PN: 1-2299987-X.
 HOUSING ASSEMBLY PARTS NEED BE ORDERED SEPARATE.

1-2299988-X AS SHOWN



SCALE 1:2



SECTION B-B

B							
QTY	QTY	QTY	QTY	PART NO	DESCRIPTION	COLOR	ITEM
1	1	1	1	PA66+GF35	CPA	RED	3
1				PBT+GF30	COVER	GRAY	2
	1			PBT+GF30	COVER	BLACK	2
		1		PBT+GF30	COVER	GRAY	1
			1	PBT+GF30	COVER	BLACK	1
1-2299988-2	1-2299988-1	0-2299988-2	0-2299988-1	MATERIAL	DESCRIPTION	COLOR	ITEM
45 DEGREE CABLE EXIT		180 DEGREE CABLE EXIT		CABLE EXIT DIRECTION TYPE			

THIS DRAWING IS A CONTROLLED DOCUMENT.		DWN R.TANG 02NOV2016	TE TE Connectivity	
		CHK SY.WANG 02NOV2016		
		APVD L.YIN 02NOV2016	NAME 65W PLUG COVER AND CPA ASSMBLY	
DIMENSIONS: mm		PRODUCT SPEC 108-101460	-	
TOLERANCES UNLESS OTHERWISE SPECIFIED:		APPLICATION SPEC 114-101049	-	
MATERIAL -		WEIGHT -	SIZE A3	CAGE CODE 00779
			DRAWING NO C-2299988	RESTRICTED TO -
			SCALE 1:1	SHEET 1 OF 1
				REV B

X-ON Electronics

Largest Supplier of Electrical and Electronic Components

Click to view similar products for [RF Connector Accessories](#) category:

Click to view products by [TE Connectivity](#) manufacturer:

Other Similar products are found below :

[89674-0712](#) [FERRULE-174](#) [R125802000](#) [R141802000](#) [R141842000](#) [R141862000W](#) [R280752000](#) [R280907000](#) [RFI75-3](#) [RFI77-14](#)
[AX102907](#) [HP-500](#) [2098-3251-94](#) [KA-81-05](#) [89674-0805](#) [FERRULE-223](#) [202102-11](#) [213337-1](#) [R280468000](#) [R280510000](#) [RFI25-12-D3](#)
[RFI25-5](#) [RFI75-2-D2](#) [RFI77-6](#) [RFI97-14](#) [3550 04 K00](#) [360HS001M2508M6](#) [4-1532137-4](#) [HRM-514S\(40\)](#) [XC0600B-03P](#) [5-21085-0](#)
[111062-0490](#) [112122-SOD-LUG](#) [IPP-2014](#) [RFI95-14-D2](#) [LPTW2TP-124](#) [MX-913/U\(45\)](#) [1736-1511-075](#) [32Z112-000F](#) [000-78400](#) [78_Z-7-](#)
[3-4](#) [56Z112-000N](#) [RFI75-2-D3](#) [32Z111-000L5](#) [RG6WRO](#) [47140003A](#) [RFI75-2-D4](#) [RFI25-3-D3](#) [53919000B](#) [R280469010](#)