

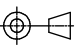


# CODE 79 - HEAT SHRINK BOOT BACKSHELL

229M312-01-ET

SERIES \_\_\_\_\_  
 ORDER NUMBER (TABLE 1) \_\_\_\_\_  
 MATERIAL \_\_\_\_\_  
 NICKEL ALUMINIUM BRONZE  
 SHOT-BLAST FINISH  
 MODIFICATION CODE \_\_\_\_\_  
 REFER TO CH00-0250-004 (2)

## NOTES:

1. THIS PRODUCT IS DESIGNED TO TERMINATE A HEAT SHRINKABLE LIPPED BOOT TO A CONNECTOR.
- (2) FOR ADDITIONAL DIMENSIONS, ORDERING INFORMATION AND MODIFICATIONS, SEE CH00-0250-004.
3. BACKSHELL TO BE PERMANENTLY MARKED/BAGGED AND LABELLED WITH CODE IDENTIFICATION NUMBER AND PART NUMBER. (e.g. 06090-229M312-01).
4. KNURL INSIDE BOOT GROOVE MAY BE SUPPLIED AT MANUFACTURER'S OPTION.
- (5) BACKSHELL MATES TO BS9522-F0020 PATT 608 CONNECTORS.

<b>DRAWN</b>	W.RUST	DATE 15/10/2015	 3RD ANGLE PROJECTION NOT TO SCALE	<b>TITLE:</b>  <h2 style="text-align: center;">HEAT SHRINK BOOT BACKSHELL</h2>	 <b>Polanco</b> 		
<b>CHECKED</b>		15/10/2015					
<b>APPROVED</b>	K.SHEPPARD	15/10/2015				UNLESS OTHERWISE SPECIFIED ALL DIMENSIONS IN MILLIMETRES <b>GENERAL TOL</b> LINEAR +/-0.25MM ANGULAR +/- 1°	
<b>APPROVED</b>	H.SMITH	15/10/2015					
<b>REVISIONS</b>				<b>ASSY USED ON:</b>	BS9522-F0020 PATT 608		
<b>LTR</b>	<b>DESCRIPTION</b>	<b>DATE</b>	<b>APPROVED</b>				
3	REVISED	17/01/13	H.SMITH				
A	REVISED PER ECO-15-013980	15/10/2015	H.SMITH				
TE CAGE CODE: 06090 POLAMCO/TE CAGE CODE: U5792				TE CONNECTIVITY - POLAMCO LTD RESERVES THE RIGHT TO AMEND THIS DRAWING AND THE INFORMATION SET FORTH HEREON AT ANY TIME. USERS SHOULD INDEPENDENTLY EVALUATE THE SUITABILITY OF THE PRODUCT FOR THEIR APPLICATION.	<b>DRAWING NO:</b> 229M3XXSERIES	<b>DRAWING REV:</b> A	<b>SHT</b> 1

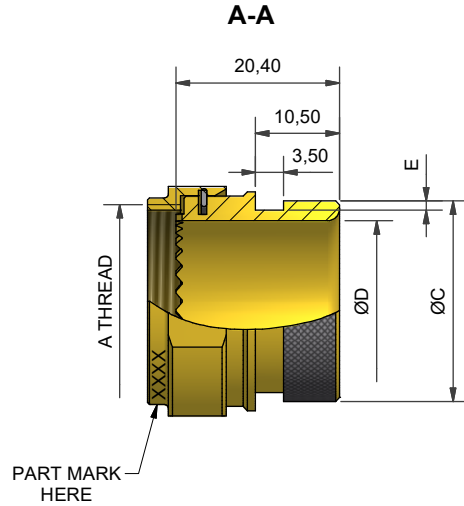
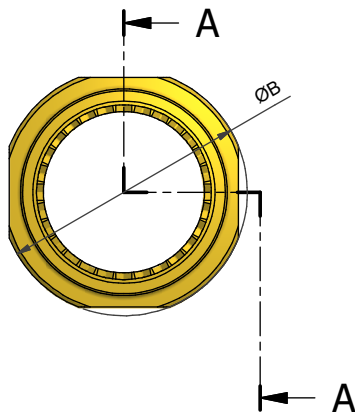
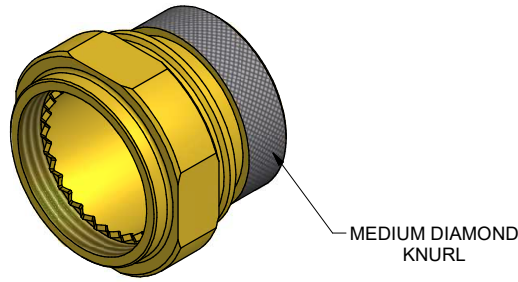


TABLE 1

BASE PART NUMBER	SHELL SIZE (5)	A THREAD	ØB MAX	ØC +0,00/-0,50	ØD MIN	E +0,20/-0,00
229M308	8	7/16-28UNEF	19,3	13,0	8,0	1,12
229M310	10	9/16-24UNEF	21,3	16,0	11,0	1,12
229M312	12	11/16-24UNEF	24,3	19,0	14,3	1,12
229M314	14	13/16-20UNEF	29,2	22,0	17,0	1,12
229M316	16	15/16-20UNEF	30,8	25,0	20,0	1,12
229M318	18	1 1/16-18UNEF	33,8	29,2	23,0	1,12
229M320	20	1 3/16-18UNEF	38,5	32,2	26,0	1,75
229M322	22	1 5/16-18UNEF	38,5	35,2	29,0	1,75
229M324	24	1 7/16-18UNEF	42,5	38,2	32,0	1,75

DRAWN	W.RUST	DATE 15/10/2015	 3RD ANGLE PROJECTION NOT TO SCALE  UNLESS OTHERWISE SPECIFIED ALL DIMENSIONS IN MILLIMETRES <b>GENERAL TOL</b> LINEAR +/-0,25MM ANGULAR +/- 1°
CHECKED		15/10/2015	
APPROVED	K.SHEPPARD	15/10/2015	
APPROVED	H.SMITH	15/10/2015	
<b>REVISIONS</b>			
LTR	DESCRIPTION	DATE	APPROVED
3	REVISED	17/01/13	H.SMITH
A	REVISED PER ECO-15-013980	15/10/2015	H.SMITH

**TITLE:**  
HEAT SHRINK BOOT BACKSHELL

**ASSY USED ON:**  
BS9522-F0020 PATT 608



## X-ON Electronics

Largest Supplier of Electrical and Electronic Components

*Click to view similar products for [Circular MIL Spec Strain Reliefs & Adapters](#) category:*

*Click to view products by [TE Connectivity](#) manufacturer:*

Other Similar products are found below :

[896227-000](#) [899170S004](#) [6000-063-0022](#) [613751-000](#) [CS6624-000](#) [620AB038Z136](#) [620AS001Z108](#) [620AS038Z112](#) [620AS038Z120](#)  
[620AS038Z132](#) [620FB038NF08](#) [620HA038NF13](#) [620HA038NF25](#) [620HA042XM13](#) [620HB049NF17](#) [620HS011NF21](#) [620HS038NF11](#)  
[620HS038Z121](#) [620HS042XM19](#) [620HS042XM25](#) [620HS042XW13](#) [620HS048B17](#) [620MS064NF09](#) [620MS064NF12](#) [620MS065M12](#)  
[620MS065Z107](#) [620MS065ZNU06](#) [630J041M06H](#) [630J041M20H](#) [637S010NF0212H](#) [640830-000](#) [659943-000](#) [66241-10A](#) [CW0597-000](#)  
[CW0598-000](#) [CW0948-000](#) [CY0122-000](#) [M85049/41-6A W/B](#) [M85049/42-12DS](#) [M85049/47N8](#) [M85049/47W18](#) [M85049/51-1-14S](#)  
[M85049/51-1-8W](#) [M85049/51S16S](#) [M85049/60-1N16](#) [M85049/60-2G12W](#) [M85049/69-11N](#) [CZ3661-000](#) [D02922-000](#) [70.360.1628.0](#)