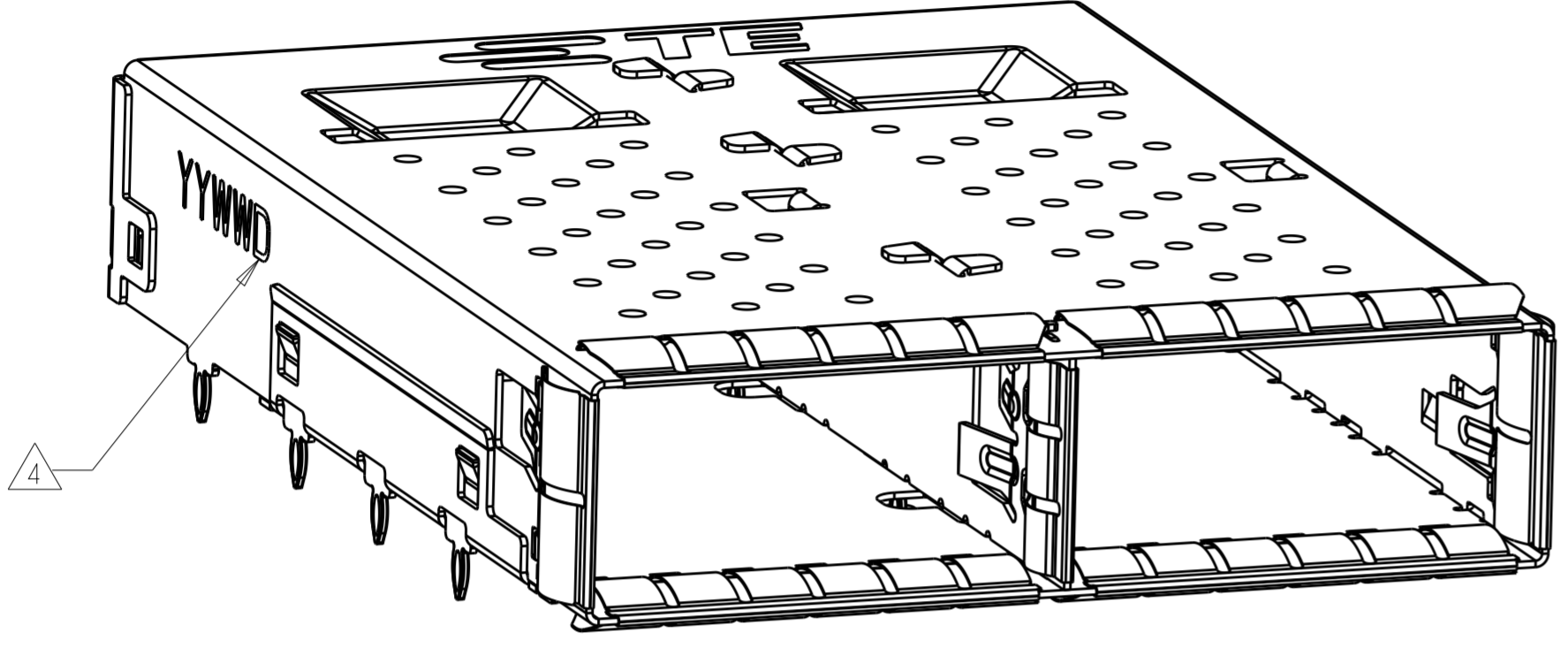


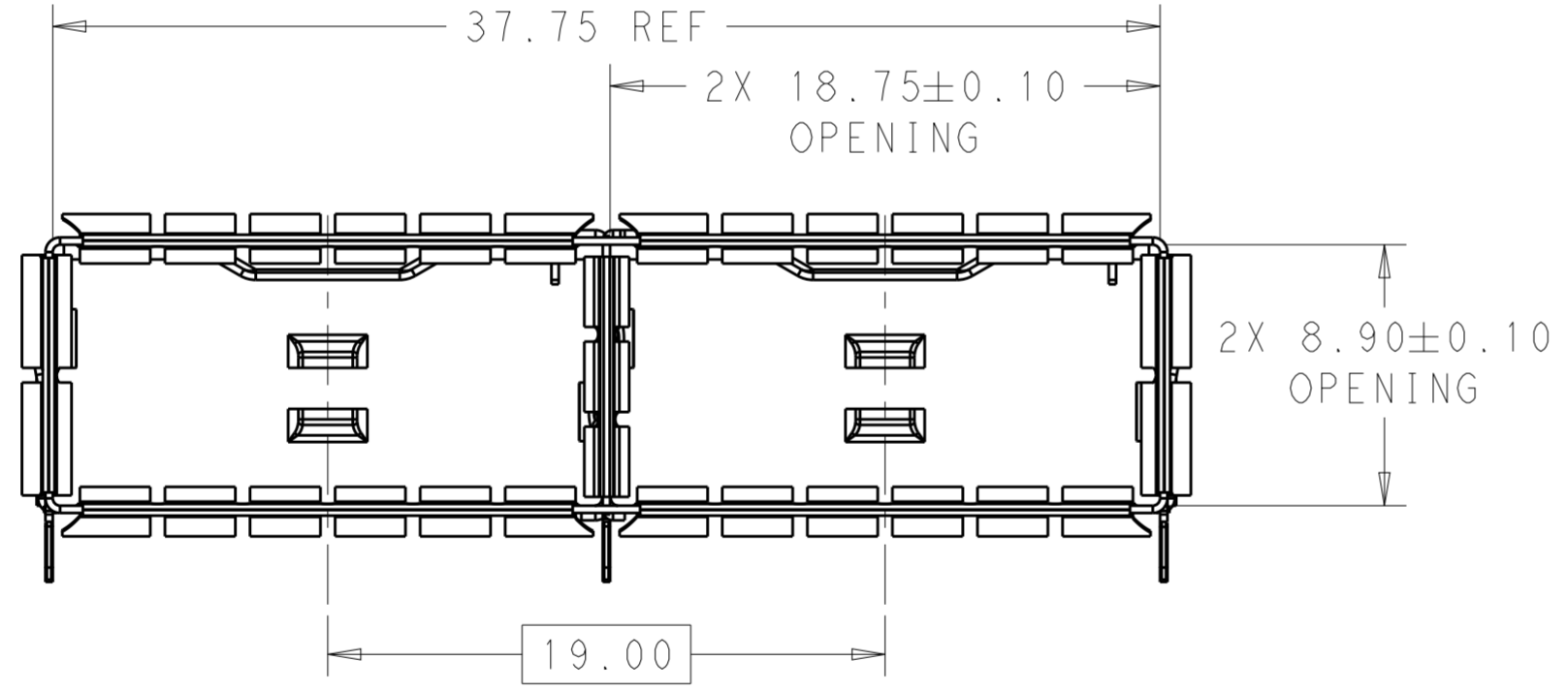
THIS DRAWING IS UNPUBLISHED. RELEASED FOR PUBLICATION 20
 © COPYRIGHT 20 BY - ALL RIGHTS RESERVED.

| LOC | DIST | REVISIONS | | | | | |
|-----|------|-----------|-----|-----------------|-----------|-----|------|
| GP | 00 | P | LTR | DESCRIPTION | DATE | DWN | APVD |
| | | A | | INITIAL RELEASE | 02FEB2016 | RG | SH |

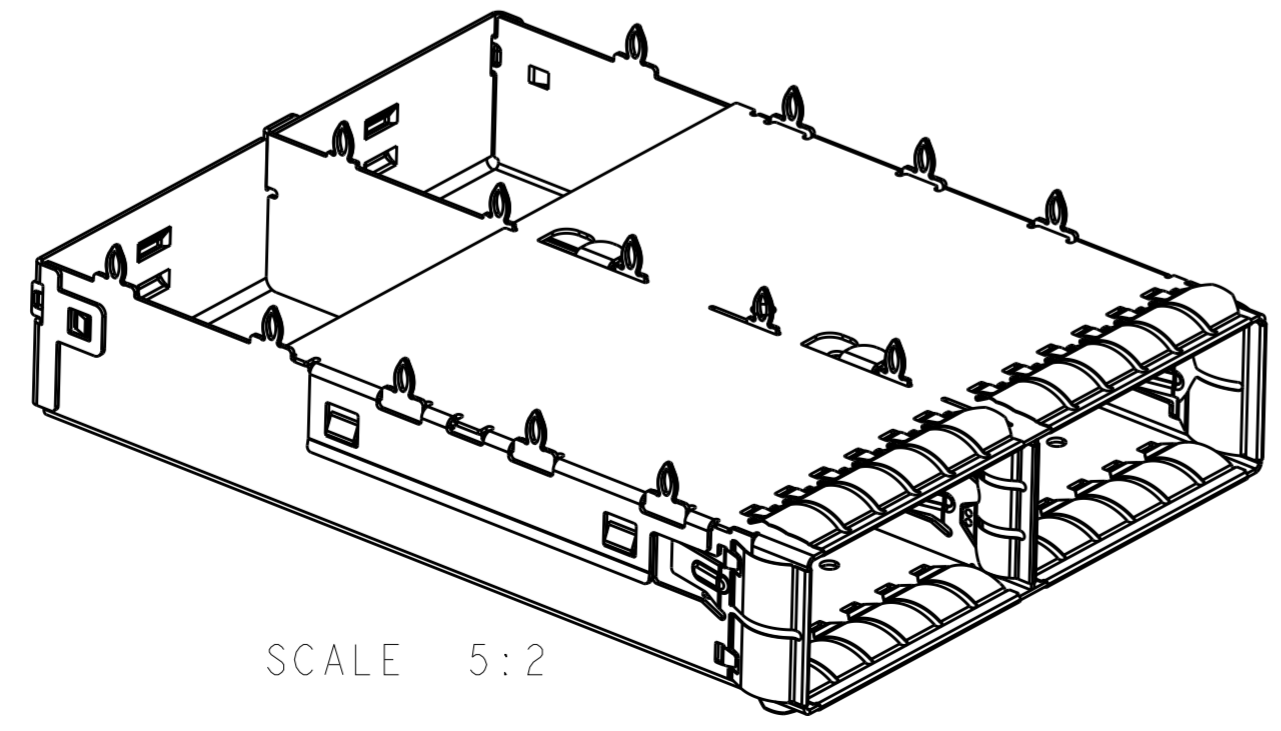
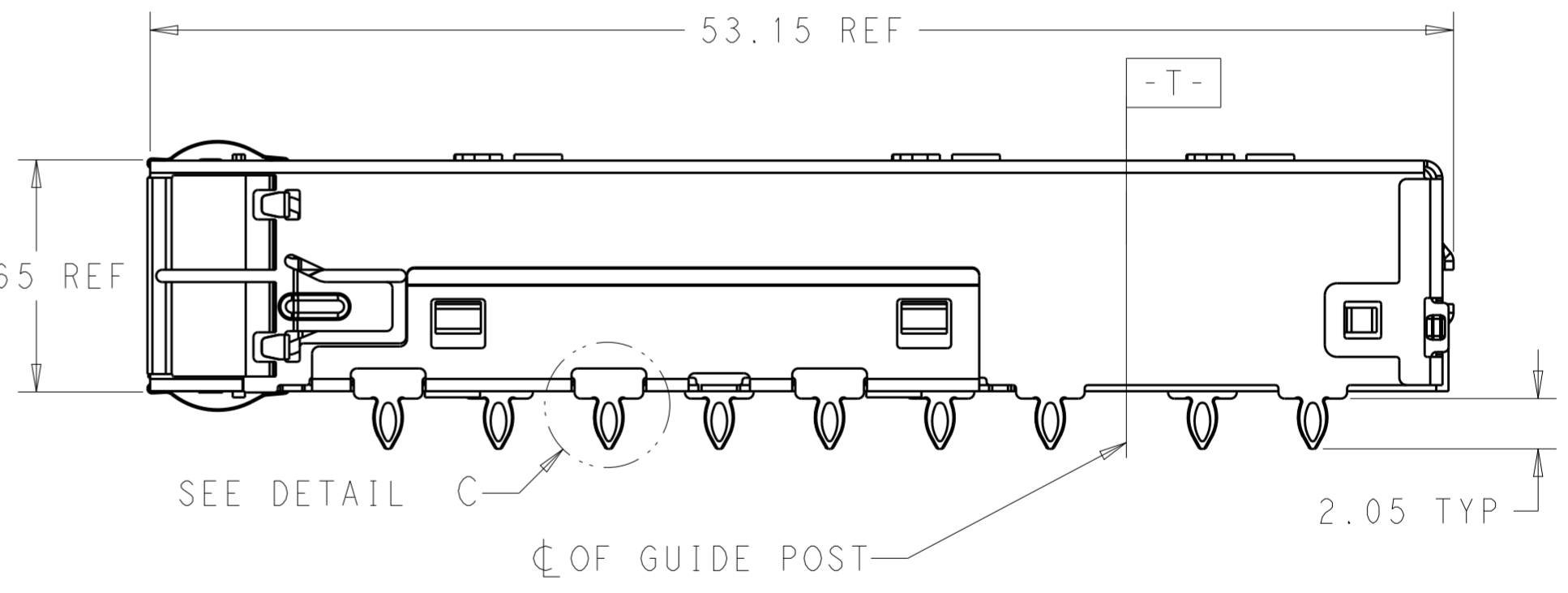


SCALE 4:1

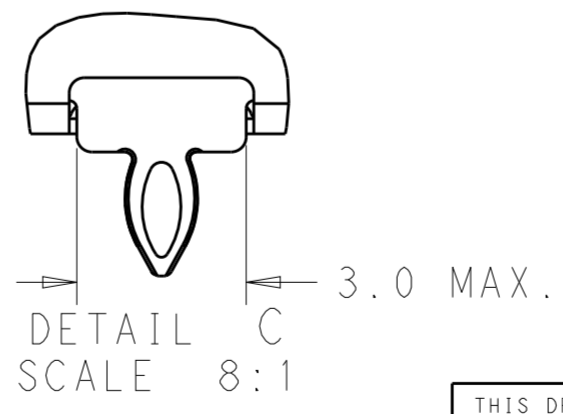
- COMPONENTS
 CAGE ASSEMBLY: STAINLESS STEEL
 EMI SPRING: COPPER ALLOY/NICKEL PLATED
- REFERENCE APPLICATION SPECIFICATION 114-32023 FOR RECOMMENDED DRILL HOLE DIAMETER AND PLATING THICKNESS
- DATUM AND BASIC DIMENSION ESTABLISHED BY CUSTOMER
- DATE CODE (YYWWDD) MARKED APPROXIMATELY AS SHOWN.
- MATES WITH QSFP28 MSA COMPATIBLE TRANSCEIVER.
- MINIMUM PC BOARD THICKNESS: SINGLE SIDED: 1.57 MIN
 DOUBLE SIDED: 3.00 MIN
- DATUM -A- IS TOP SURFACE OF THE HOST BOARD.



SCALE 4:1



SCALE 5:2

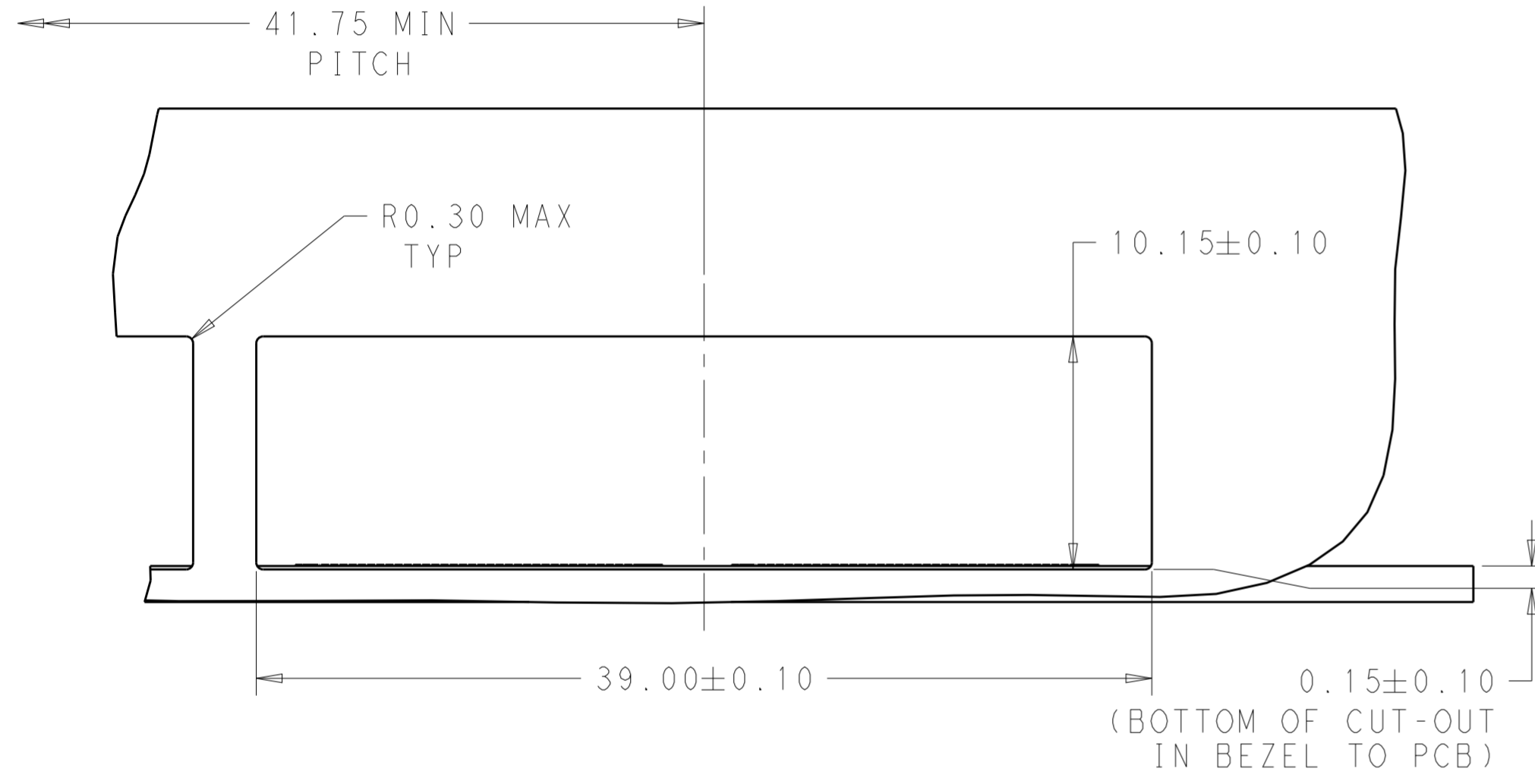


DETAIL C SCALE 8:1

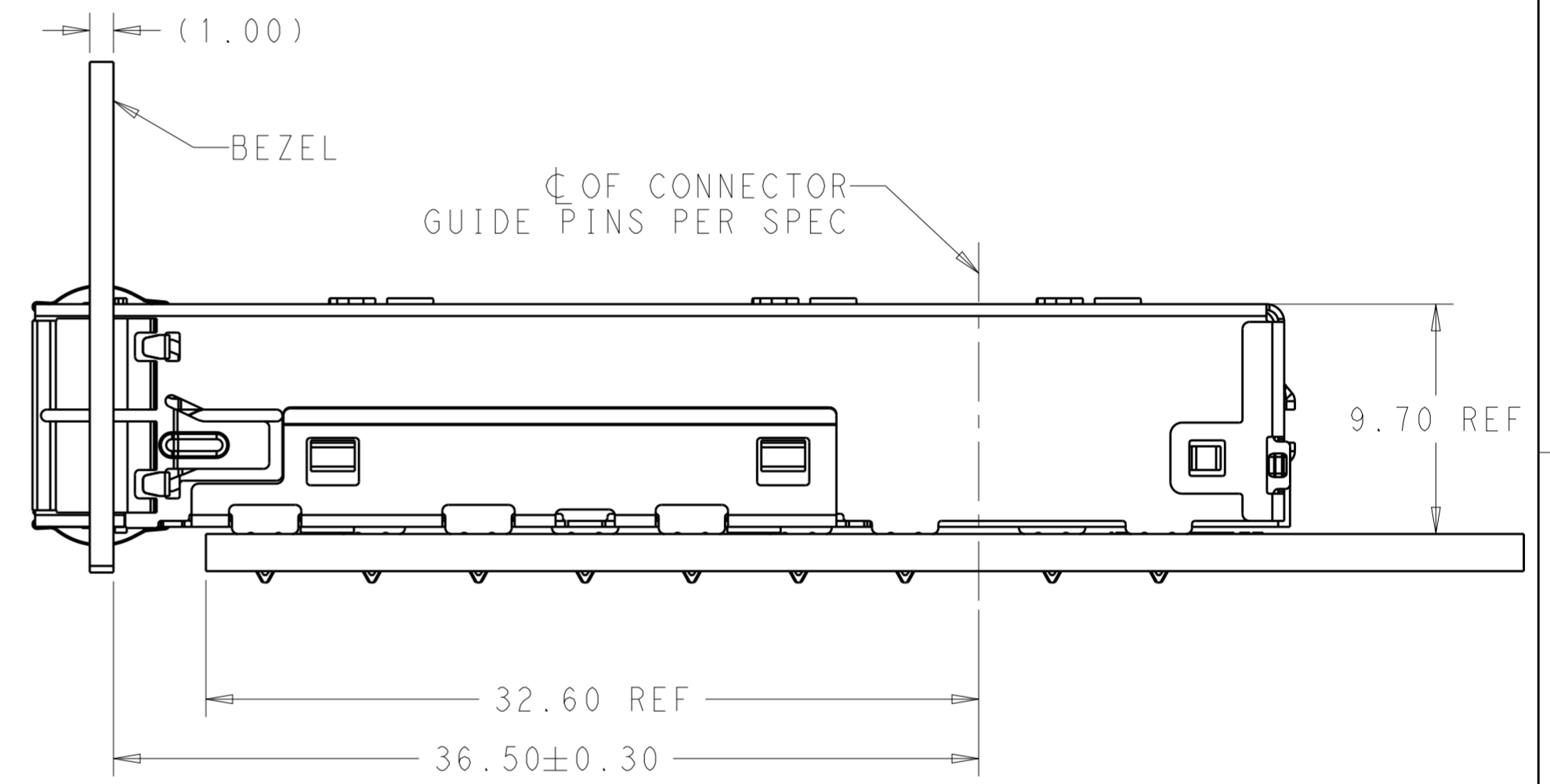
| | | | | | |
|--|--|--|--|---|--|
| WITHOUT REAR PIN OPTIONAL | | WITHOUT HEAT SINK OPEN OPTIONAL | | 2300281-1 PART NUMBER | |
| THIS DRAWING IS A CONTROLLED DOCUMENT. | | DWN 15JUL2016 CHK VINDY LIU | | APVD 15JUL2016 SEAN HAN | |
| DIMENSIONS: mm | | TOLERANCES UNLESS OTHERWISE SPECIFIED: | | NAME RECEPTACLE CAGE ASSEMBLY THRU BEZEL, 1X2, QSFP28, SPRING | |
| 0 PLC ± | | 1 PLC ±0.25 | | PRODUCT SPEC 108-19428 | |
| 2 PLC ±0.2 | | 3 PLC ± | | APPLICATION SPEC 114-32023 | |
| 4 PLC ± | | ANGLES ± | | SIZE A200779 | |
| MATERIAL SEE NOTES | | FINISH SEE NOTES | | DRAWING NO C-2300281 | |
| | | WEIGHT - | | RESTRICTED TO - | |
| | | CUSTOMER DRAWING | | SCALE 1:1 SHEET 1 OF 3 REV A | |

THIS DRAWING IS UNPUBLISHED. RELEASED FOR PUBLICATION 20
 © COPYRIGHT 20 BY - ALL RIGHTS RESERVED.

| LOC | DIST | REVISIONS | | | |
|-----|------|-------------|------|-----|------|
| P | LTR | DESCRIPTION | DATE | DWN | APVD |
| - | - | SEE SHEET 1 | - | - | - |
| | | | | | |
| | | | | | |



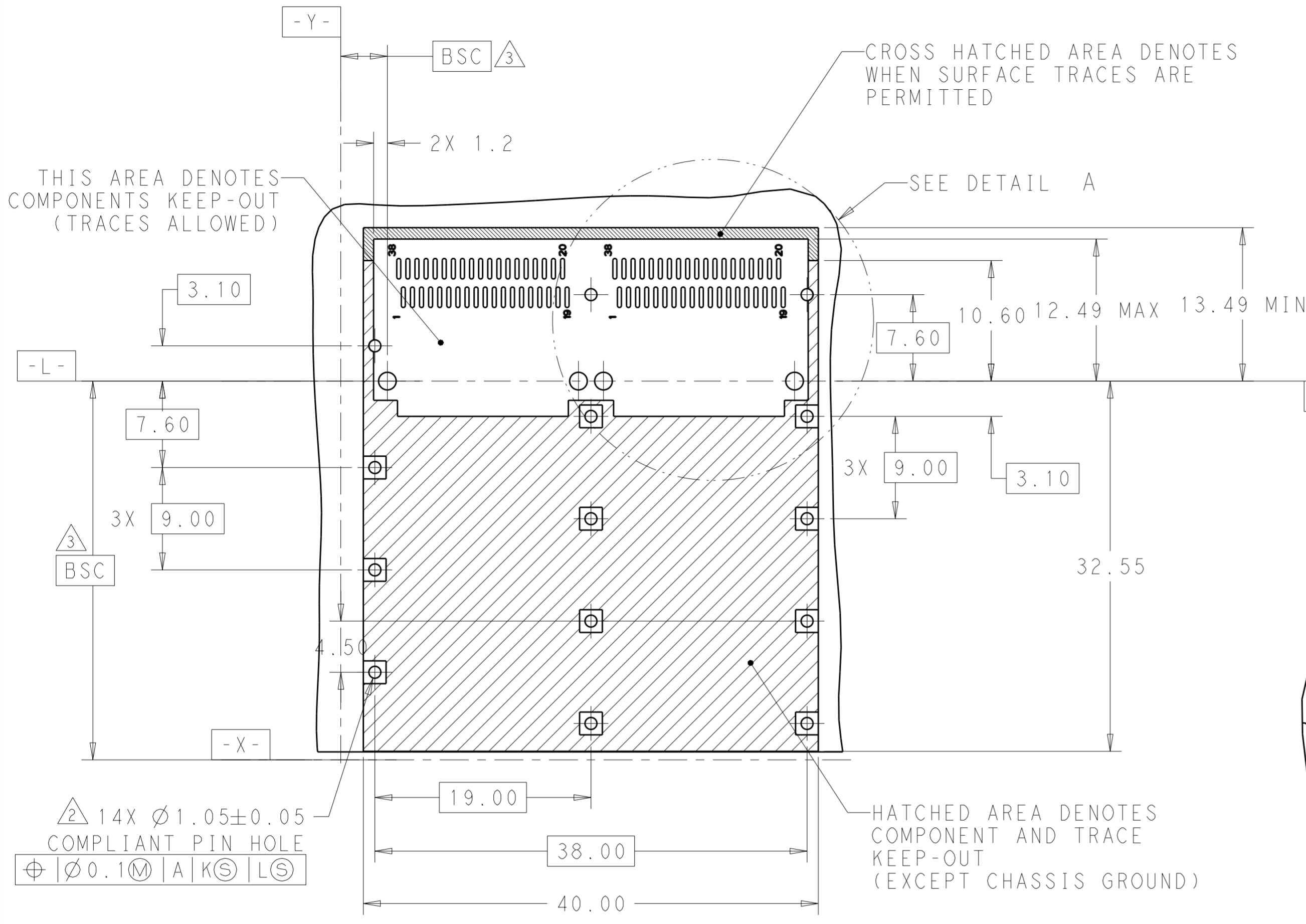
SCALE 4:1



| | | | | | |
|--|--|--|-----------|--|------------------------------|
| THIS DRAWING IS A CONTROLLED DOCUMENT. | | DWN VINDY LIU CHK | 15JUL2016 | TE Connectivity | |
| DIMENSIONS: mm | | APVD SEAN HAN PRODUCT SPEC | 15JUL2016 | | |
| | | TOLERANCES UNLESS OTHERWISE SPECIFIED: 0 PLC ± 1 PLC ±0.25 2 PLC ±0.2 3 PLC ± 4 PLC ± ANGLES ± FINISH | | NAME RECEPTACLE CAGE ASSEMBLY THRU BEZEL, 1X2, QSFP28, SPRING | |
| MATERIAL SEE NOTES material_2 | | APPLICATION SPEC 108-19428 114-32023 WEIGHT - | | SIZE A200779 | DRAWING NO C-2300281 |
| SEE NOTES finish_spec_2 | | CUSTOMER DRAWING | | RESTRICTED TO - | SCALE 1:1 SHEET 2 OF 3 REV A |

THIS DRAWING IS UNPUBLISHED. RELEASED FOR PUBLICATION 20
 © COPYRIGHT 20 BY - ALL RIGHTS RESERVED.

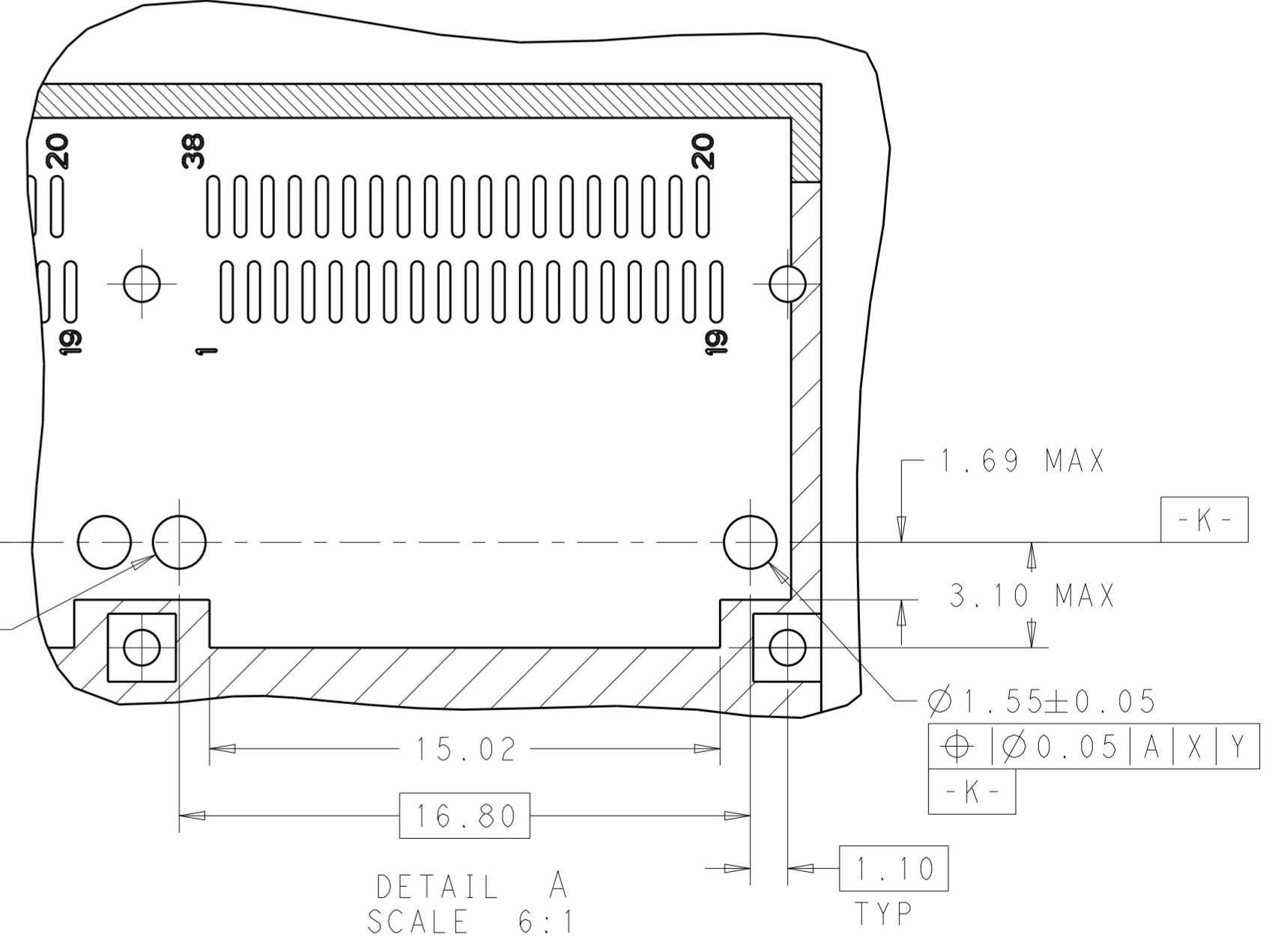
| LOC | | DIST | | REVISIONS | | | |
|-----|-----|-------------|------|-----------|------|--|--|
| P | LTR | DESCRIPTION | DATE | DWN | APVD | | |
| - | - | SEE SHEET 1 | - | - | - | | |



14X $\varnothing 1.05 \pm 0.05$
 COMPLIANT PIN HOLE
 $\varnothing 0.1$ | A | K | S | L | S

RECOMMENDED PCB LAYOUT
 PCB TOLERANCE: ± 0.05
 SCALE 3:1

HATCHED AREA DENOTES
 COMPONENT AND TRACE
 KEEP-OUT
 (EXCEPT CHASSIS GROUND)



DETAIL A
 SCALE 6:1

| | | | | | |
|--|--|--------------------------------------|-----------|---|--|
| THIS DRAWING IS A CONTROLLED DOCUMENT. | | DWN VINDY LIU CHK | 15JUL2016 | TE Connectivity | |
| DIMENSIONS: mm | | APVD SEAN HAN PRODUCT SPEC | 15JUL2016 | | |
| TOLERANCES UNLESS OTHERWISE SPECIFIED: | | APPLICATION SPEC | | NAME RECEPTACLE CAGE ASSEMBLY THRU BEZEL, 1X2, QSFP28, SPRING | |
| 0 PLC \pm | | 114-32023 | | SIZE CAGE CODE DRAWING NO | |
| 1 PLC ± 0.25 | | WEIGHT | | A200779 C-2300281 | |
| 2 PLC ± 0.2 | | CUSTOMER DRAWING | | RESTRICTED TO | |
| 3 PLC \pm | | SCALE 1:1 | | SHEET 3 OF 3 | |
| 4 PLC \pm | | SHEET 3 OF 3 | | REV A | |
| ANGLES \pm | | | | | |
| FINISH | | | | | |
| MATERIAL SEE NOTES material_2 | | FINISH SEE NOTES finish_spec_2 | | | |

X-ON Electronics

Largest Supplier of Electrical and Electronic Components

Click to view similar products for [I/O Connectors](#) category:

Click to view products by [TE Connectivity](#) manufacturer:

Other Similar products are found below :

[571763P](#) [58098-0628](#) [72.250.1628.2](#) [72.250.2428.2](#) [74720-0505](#) [76.350.0729.0](#) [76871-1403](#) [FCN-244F080-G/1](#) [FCN-260A9920](#) [PCR-E36PM](#) [PCS-XE26MA+](#) [G38A71314B](#) [DX40-50P\(55\)](#) [1571250010](#) [157-22500-3](#) [MS3471L14-19P L/C](#) [91-569786-35H](#) [172501-4002](#) [172501-6002](#) [FCN-260C008-A/L0](#) [FCN-260C024-AL0](#) [FCN-261Z008](#) [2000314-1](#) [200331-1](#) [PCR-E36FC+](#) [PCS-E28FS+](#) [PCS-XE26SLFD+](#) [PCS-XE26SLFDT+](#) [G730VID08BDC24](#) [U90B2054081210](#) [UE86K842720321](#) [38113800006](#) [DP3AR020WQ1R200](#) [Z4.102.0680.0](#) [500-1040](#) [500-1052](#) [500-1054](#) [ZP-4008-66L](#) [0709821002](#) [10-565995-597N](#) [DX40-20P\(55\)](#) [5554841-1](#) [MS3474W18-8P-LC*](#) [U90B3054061110](#) [U65-E04-4020](#) [ZPF000000000097891](#) [557-262M2-06C](#) [747360449](#) [10099439-003C-TRLF](#) [10137239-0021LF](#)