

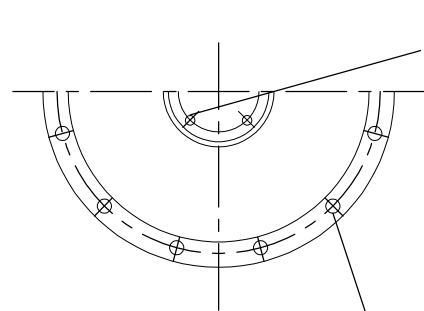
THIS DRAWING IS UNPUBLISHED.

RELEASED FOR PUBLICATION

© COPYRIGHT - By -

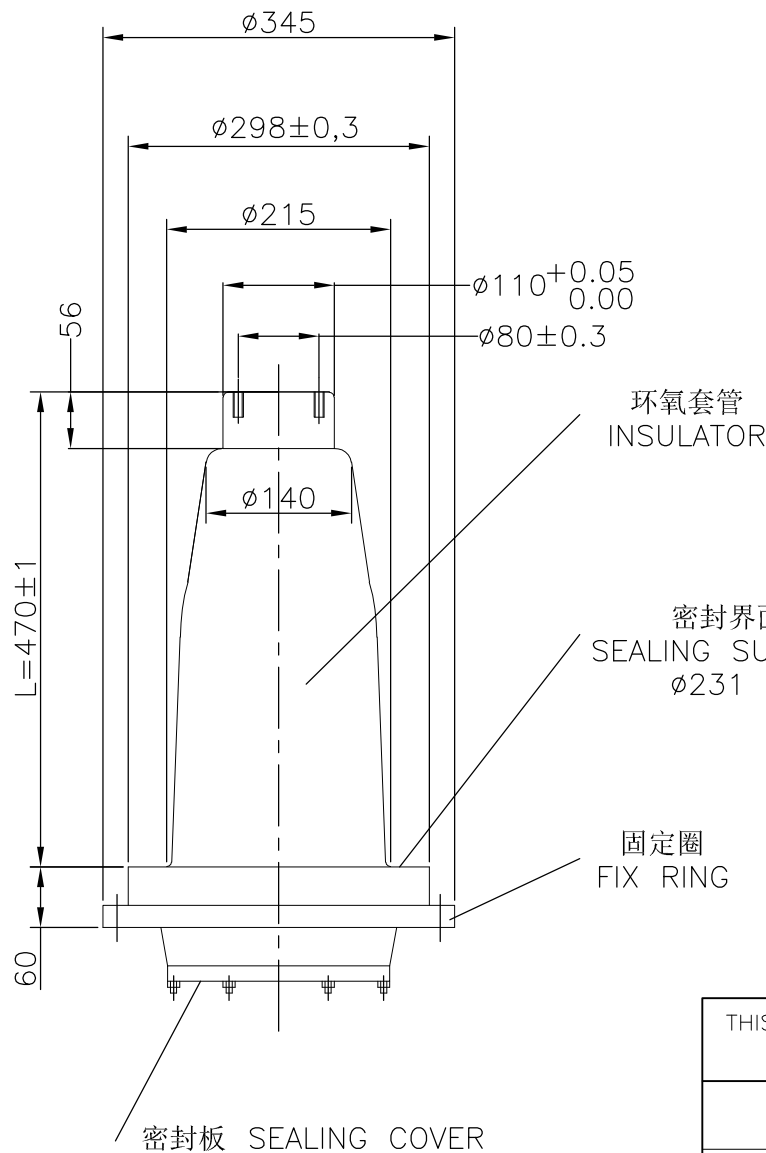
ALL RIGHTS RESERVED.

LOC	DIST	REVISIONS					
		P	LTR	DESCRIPTION	DATE	DWN	APVD
-	-	1		ORIGINAL RELEASE	15JAN2018	YZ.T	W.J



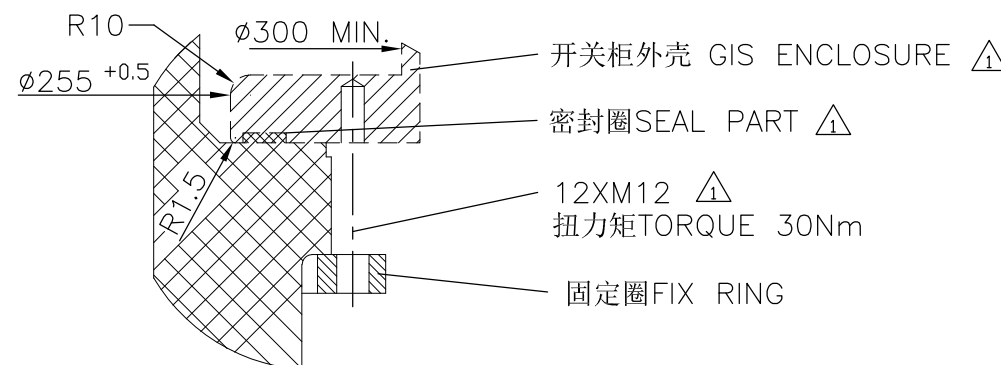
顶端出线 HV ELECTRODE
 螺孔4XM10X25均布于 $\phi 80 \pm 0.3$
 4xM10x25 SCREW HOLES EQUALLY
 DISTRIBUTED AT $\phi 80 \pm 0.3$

满足标准IEC60859 & IEC62271-209
 FOLLOWS IEC60859 & IEC62271-209
 底盘法兰BOTTOM FLANGE
 12X $\phi 14$ 均布于 $\phi 320 \pm 0.5$, 12x $\phi 14$ EQUALLY
 DISTRIBUTED AT $\phi 320 \pm 0.5$



详图DETAIL X

(固定方式示例 FIX METHOD INDICATION)



备注:
 1. 所标示零部件 \triangle 不随产品提供。

NOTE:
 1. THE PARTS \triangle MARKED IN UPSIDE DRAWING ARE NOT PROVIDED WITH
 PRODUCT TOGETHER.

技术参数 TECHNICAL PARAMETER	
最大导体截面积 MAX. CONDUCTOR CROSS-SECTION (mm ²)	1200
最大电缆绝缘直径 MAX. CABLE INSULATION DIAMETER (mm)	78
最高工作电压 MAX. OPERATING VOLTAGE UM (kV)	145
雷电冲击耐压 LIGHTNING IMPULSE WITHSTAND VOLTAGE (BIL) (kV)	650
交流耐压 AC WITHSTAND VOLTAGE (kV)	190

THIS DRAWING IS A CONTROLLED DOCUMENT.		DWN 15JAN2018 YUEZHONG TAN	TE Connectivity		
DIMENSIONS: mm		CHK 15JAN2018 SUE WANG			
TOLERANCES UNLESS OTHERWISE SPECIFIED:		APVD 15JAN2018 JANE WU	NAME		
0 PLC ± -		PRODUCT SPEC	EPOXY-RESIN INSULATOR FOR		
1 PLC ± -		IEC 60840/GB11017	145kV DRY TYPE PLUG IN TERMINATION		
2 PLC ± -		APPLICATION SPEC	GIS TERMINATION (PHVS145)		
3 PLC ± -		IEC 60859/IEC62271-209	SIZE	CAGE CODE	DRAWING NO
4 PLC ± -		FINISH	A3	00779	C-230068
ANGLES ± -		MATERIAL	RESTRICTED TO		
-		WEIGHT	-		
-		CUSTOMER DRAWING	SCALE	SHEET	REV
-			1:1	1 OF 1	1

X-ON Electronics

Largest Supplier of Electrical and Electronic Components

Click to view similar products for [Other Tools](#) category:

Click to view products by [TE Connectivity](#) manufacturer:

Other Similar products are found below :

[CR-0AFL4--332K](#) [568681-1](#) [5800-0090](#) [58061-1](#) [59065-5](#) [59085](#) [00-8273-RDPP](#) [00-8729-WHPP](#) [593033](#) [593072](#) [593564100](#) [593575](#)
[593593](#) [011349-000](#) [CRCW08052740FRT1](#) [LUC-012S070DSM](#) [LUC-018S070DSP](#) [LUC-024S105DSP](#) [599-2021-3-NME](#) [599-JJ-2021-03](#)
[00-5080-YWPP](#) [00-9089-RDPP](#) [00-9300-RDPP](#) [CRCW2010331JR02](#) [601-JJ-06](#) [601-SPB](#) [601YSY](#) [602-JJ-03](#) [602SPB](#) [603-JJ-07-FP](#) [603-](#)
[JJY-04](#) [M15570-25](#) [CRTN1013](#) [CS16](#) [6-1579014-0](#) [6203](#) [62200-5709](#) [6240-1](#) [M43435](#) [TY 2 SZ 3 FIN B BLK](#) [M-5Z](#) [M6816](#) [M7298](#)
[M7456](#) [M7976](#) [660-29ABT1](#) [662508-1](#) [CVHD-950X-93.333](#) [CW104-01X](#) [671-GP-04-KT39-73207](#) [CW307-01A](#)