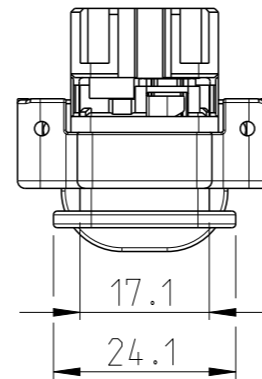
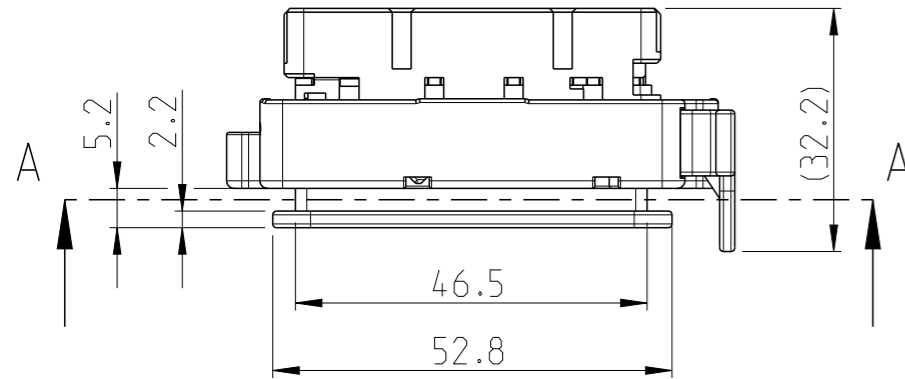
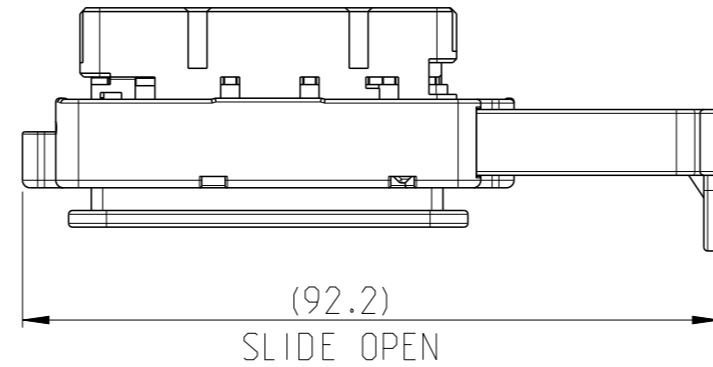
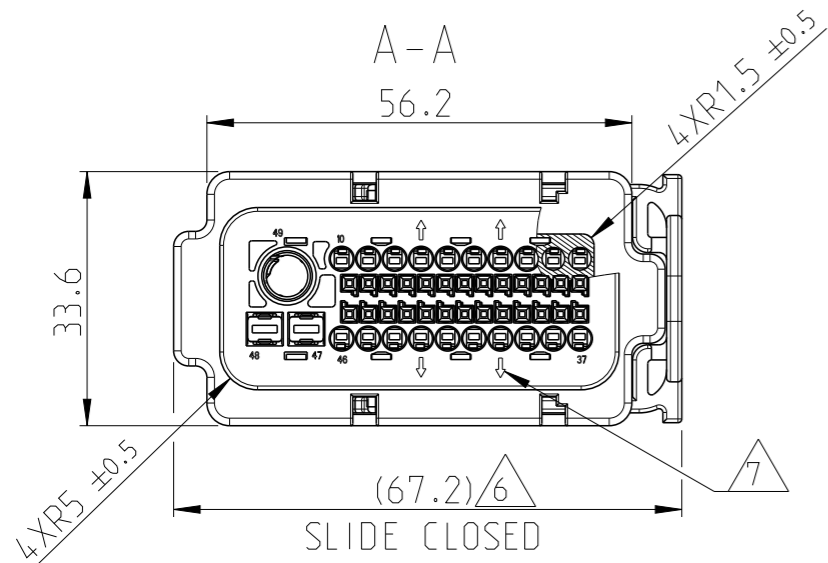
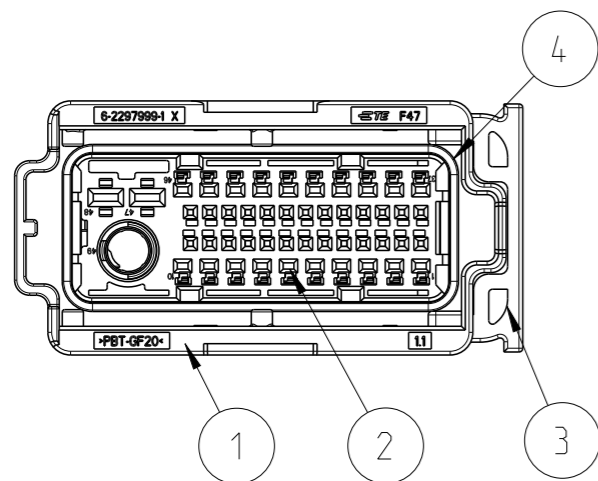


P	LTR	DESCRIPTION	DATE	DWN	APVD
A		NEW PRODUCT RELEASED	06NOV2016	T.D	I.Y
B		ECR-20-000096	14JAN2020	J.L	I.Y
B1		ECR-20-012542	04SEP2020	J.L	I.Y
B2		ECR-20-017304	08DEC2020	J.L	J.Z



TABEL 1 SUITABLE CONTACT

CONTACT	WIRE RANGE (mm <sup>2</sup> )	PART NO.	REMARK
MQS	0.08~0.22	1355717	SEE DRAWING 929454
	0.13/0.17	2141824	
	0.25~0.35	928999	
	0.50~0.75	963715	
MCON1.2	0.25~0.35	1534594	SEE DRAWING 1534326
	0.50~0.75	1670144	
	1.0~1.5	1452503	
	0.22~0.35	2296537-1	SEE DRAWING 2296537
0.50~0.75	2296537-2		
MCP2.8K	1.0~1.5	2296537-3	SEE DRAWING 1241437
	0.20~0.35	1564982	
	0.50~1.0	1241388	
FAKRA	>1.0~2.5	1241390	SEE DRAWING 1719795 Rosenberger ECT
	-	1719791/1719792	
	-	59K130-102A4	
	-	OUTER SHIELD: 818015842 INNER CONTACT: 818014047 T SHIELD: 818017660	

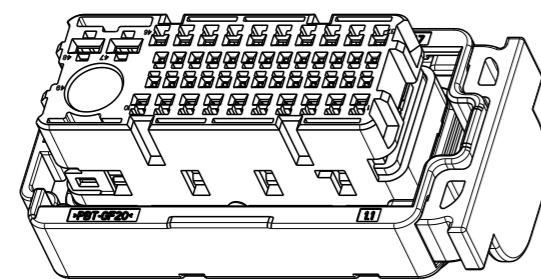


NOTE

- SUITABLE CONTACT SEE TABLE 1
  - SUITABLE MATING PART P/N 2301239-1
  - USED WITH RETAINER 2298002 AND 2301240
  - TE ASSY NO. SEE TABLE
  - PACKAGE: LAYER IN BOX
- △ 6 SLIDE SUPPLY CONDITION: CLOSED
- △ 7 BUMP OF MCON1.2 TERMINAL FACE DIRECTION DURING TERMINAL ASSEMBLY PROCESS

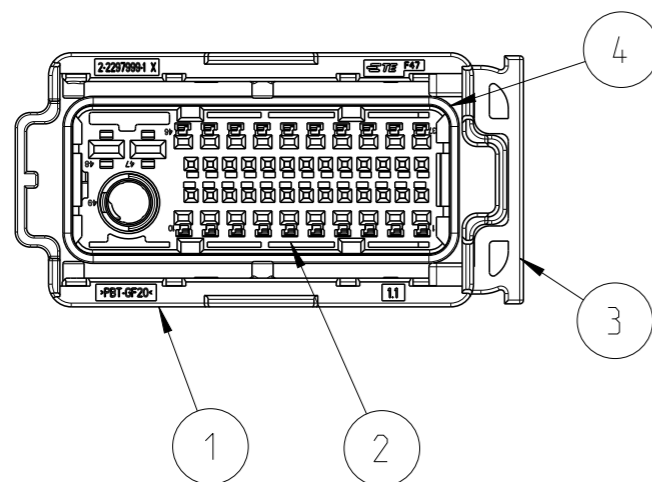
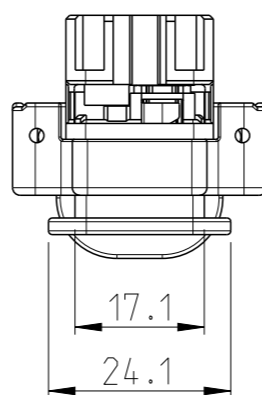
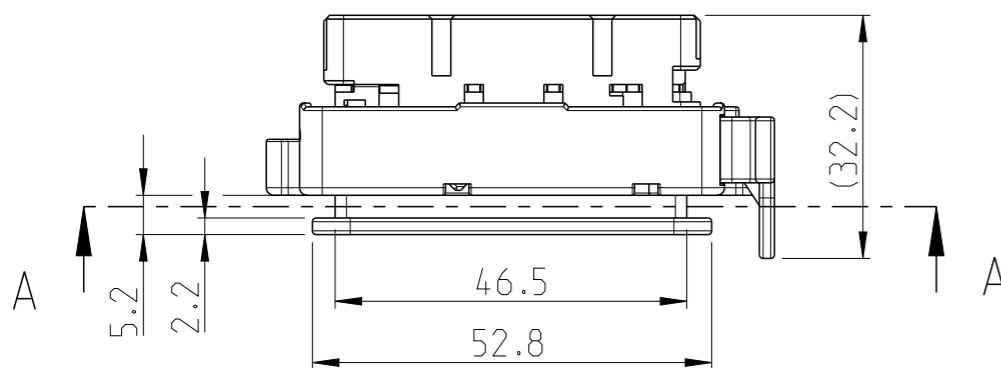
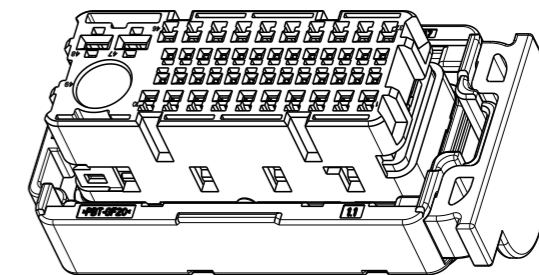
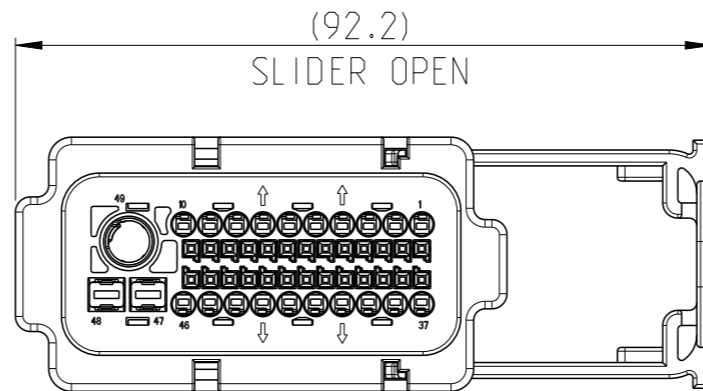
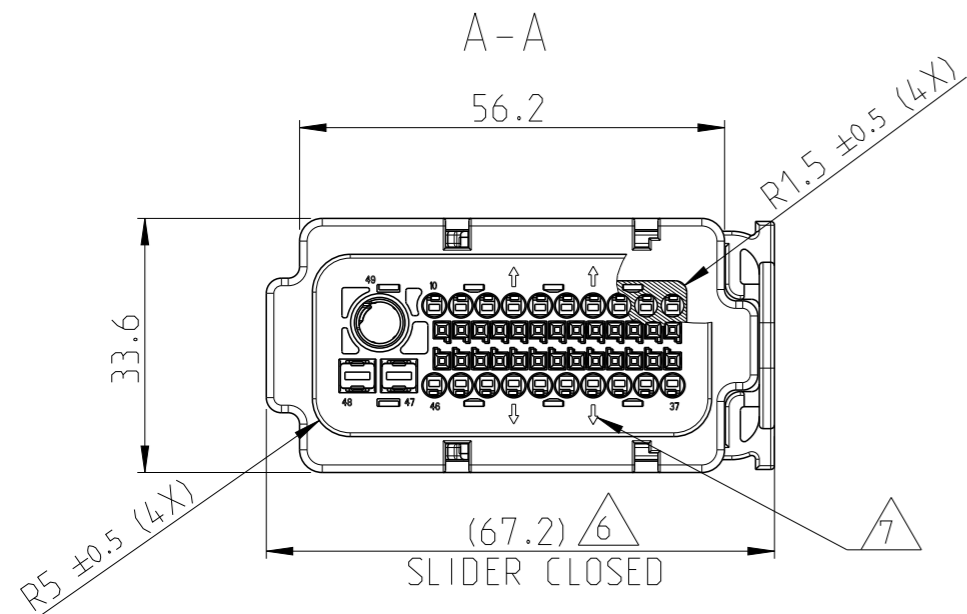
TE ASSY NO.	COLOR	MATERIAL	DESCRIPTION	QTY	ITEM
2301238-1	NATURAL	SILICONE	O-RING	1	4
	BLACK	PBT-GF20	SLIDE	1	3
	BLACK	PBT-GF20	CAVITY BLOCK	1	2
	BLACK	PBT-GF20	HOUSING	1	1

THIS DRAWING IS A CONTROLLED DOCUMENT.		DWN T.DONG 06NOV2016	 TE Connectivity
DIMENSIONS: mm		CHK S.WANG 06NOV2016	
TOLERANCES UNLESS OTHERWISE SPECIFIED: ±0.3		APVD I.YIN 06NOV2016	
		NAME -	
MATERIAL SEE TABLE	FINISH SEE TABLE	PRODUCT SPEC -	PLUG HOUSING ASS'Y, 49POSN. FAKRA TYPE
		APPLICATION SPEC -	SIZE A3
		WEIGHT -	CAGE CODE 00779
		CUSTOMER DRAWING	DRAWING NO. C-2301238
		SCALE 1:1	RESTRICTED TO -
		SHEET 1 OF 2	REV B2



REVISIONS

P	LTR	DESCRIPTION	DATE	DWN	APVD
-	-	SEE SHEET 1	-	-	-



NOTE

- SUITABLE CONTACT SEE SHEET 1
- SUITABLE MATING PART P/N 2-2301239-1
- USED WITH RETAINER 2298002 AND 2301240
- TE ASSY NO. SEE TABLE
- PACKAGE: LAYER IN BOX

- 6 SLIDE SUPPLY CONDITION: CLOSED
- 7 BUMP OF MCON1.2 TERMINAL FACE DIRECTION DURING TERMINAL ASSEMBLY PROCESS



TE ASSY NO.	COLOR	MATERIAL	DESCRIPTION	QTY	ITEM
2-2301238-1	NATURAL	SILICONE	O-RING	1	4
	BLACK	PBT-GF20	SLIDE	1	3
	BLACK	PBT-GF20	CAVITY BLOCK	1	2
	BLACK	PBT-GF20	HOUSING	1	1

THIS DRAWING IS A CONTROLLED DOCUMENT.	
DIMENSIONS: mm	TOLERANCES UNLESS OTHERWISE SPECIFIED: ±0.3
MATERIAL SEE TABLE	FINISH SEE TABLE

DWN J.LEE	08DEC2020
CHK S.FAN	08DEC2020
APVD J.Z	08DEC2020
PRODUCT SPEC	-
APPLICATION SPEC	-
WEIGHT	-
CUSTOMER DRAWING	

		NAME	
		- PLUG HOUSING ASS'Y, 49POSN. FAKRA TYPE	
SIZE A3	CAGE CODE 00779	DRAWING NO. C-2301238	RESTRICTED TO
SCALE 1:1		SHEET 2 OF 2	REV B2

## X-ON Electronics

Largest Supplier of Electrical and Electronic Components

*Click to view similar products for [Automotive Connectors](#) category:*

*Click to view products by [TE Connectivity](#) manufacturer:*

Other Similar products are found below :

[003-018-000](#) [60993906-B](#) [72.330.1035.1](#) [F358300-B](#) [F407400](#) [776880-1](#) [827153-1](#) [8N1515-32-24P](#) [9-1326729-8](#) [925474-1](#) [928905-1](#)  
[964562-4](#) [968782-1](#) [98891-1012](#) [12004475-L](#) [12041318-B](#) [12052466](#) [12015909](#) [1-21030-1](#) [12041318](#) [12047957](#) [12185550](#) [12336-12](#)  
[12147304](#) [1-326211-1](#) [13681974](#) [13783086](#) [13832576](#) [13542772](#) [13675513](#) [1428188-1](#) [1437287-3](#) [1428188-2](#) [DS07-19S-5020](#) [1456983-5](#)  
[1456987-7](#) [APD-7CP-H](#) [APK-SB25A10L](#) [1452931-2](#) [15336198](#) [15491972](#) [15305306](#) [15396680](#) [15425613](#) [15518544](#) [15522351](#) [1719636-1](#)  
[172190-2](#) [172190-5](#) [192900-0402](#)