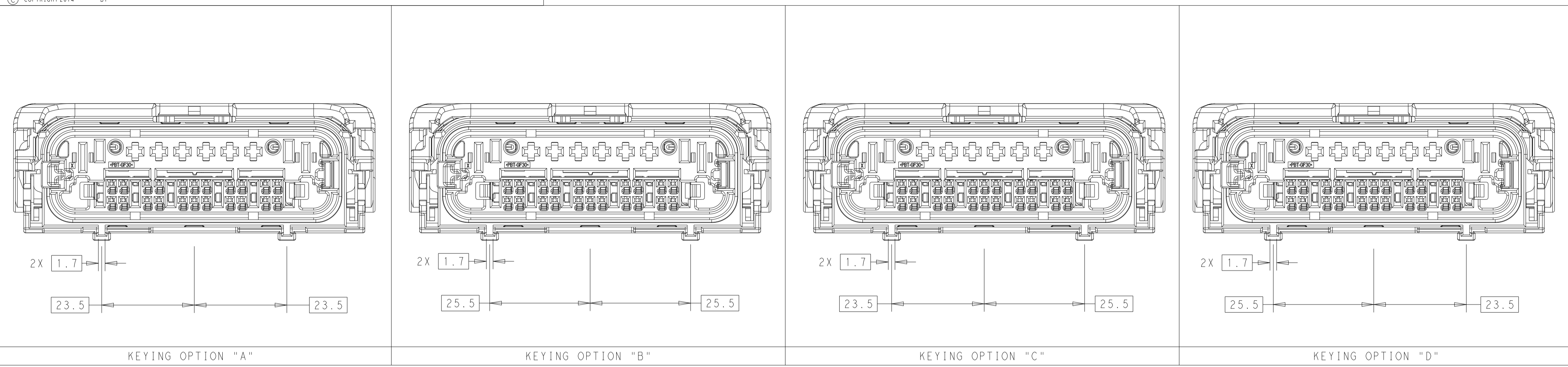
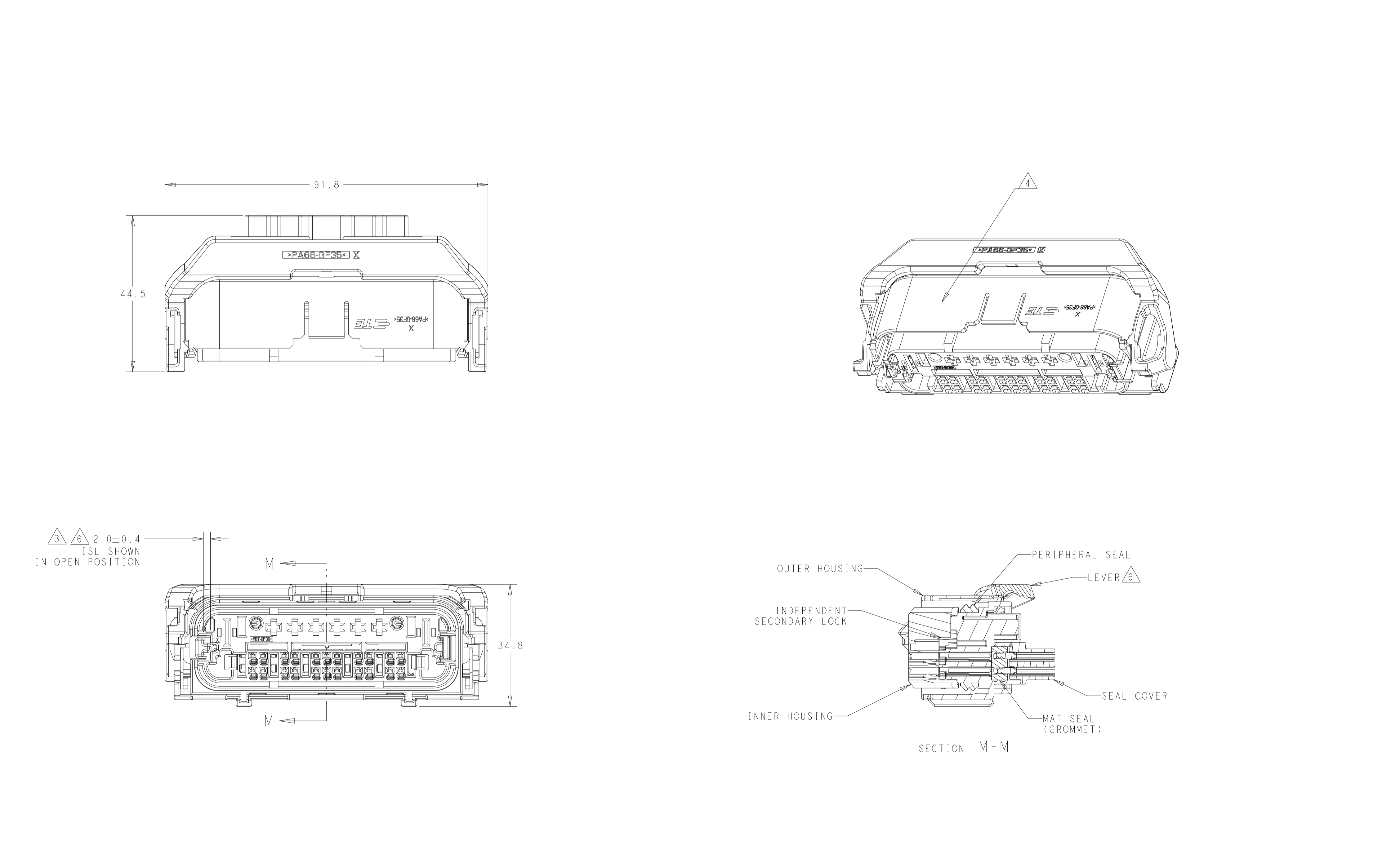


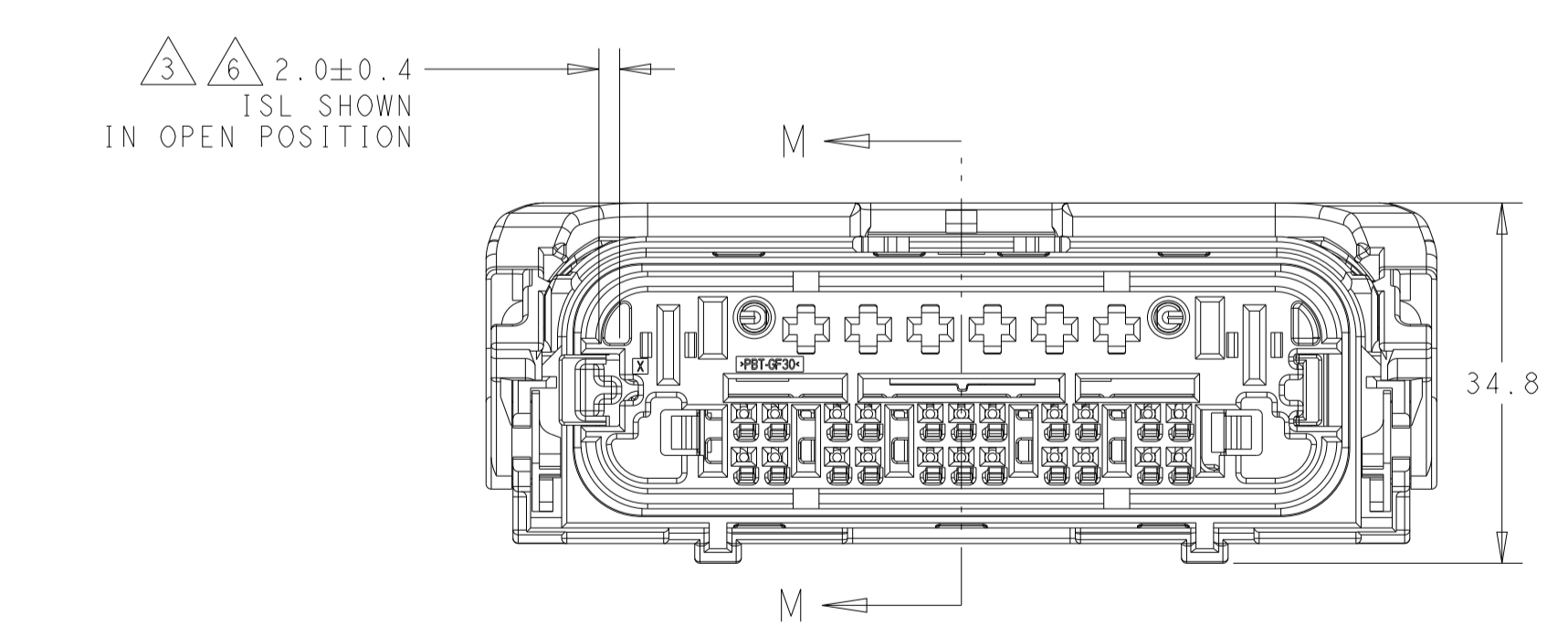
REVISIONS				
P	LTM	DESCRIPTION	DATE	APVD
C7		REV PER ECR-19-009343	12AUG2019	RDH RDH
C8		REV PER ECO-20-009802	13JUL2020	CN GK
C9		REV PER ECO-20-015874	10NOV2020	CN GK
C10		REV PER ECN-21-112300	09AUG2021	CN GK



- NOTES:
- MATERIAL:
 INNER HOUSING-PBT, 30% GLASS FILLED, BLACK
 OUTER HOUSING-NYLON 6/6, 35% GLASS FILLED, SEE TABLE FOR COLOR
 PERIPHERAL SEAL-SILICONE RUBBER, INHERENTLY LUBRICATED, GREEN
 MAT SEAL-SILICONE RUBBER, INHERENTLY LUBRICATED, LT BLUE
 SEAL COVER-PBT, 15% GLASS FILLED, BLACK
 ISL-PBT, 30% GLASS FILLED, LT GRAY
 LEVER-NYLON 6/6, 35% GLASS FILLED, LT GRAY
 - 2301462-1 SHOWN IN GENERAL VIEWS.
 - ISL SHOWN IN PRE-SET, SHIPPING POSITION.
 - JULIAN DATE CODE (YYDD HH:MM:SS) AND ASSEMBLY PART NUMBER (XXXXXX-X) MARKED IN APPROXIMATE LOCATION.
 - MATES WITH TE PLUG ASSEMBLY: 2301461-X
 - IF SEATED IN SHIPPING, SEE INSTRUCTION SHEET 408-32159 FOR INSTRUCTIONS TO RETURN TO SHIPPING POSITION.



APPLICABLE COMPONENTS				
TERMINALS				
CIRCUITS	TERMINAL	MIN WIRE SIZE	MAX WIRE SIZE	PART #
1 AND 8	MCP 6.3	0.5mm ²	1.0mm ²	1241412-1
		>1.0mm ²	2.5mm ²	1241414-1
		>2.5mm ²	4.0mm ²	1241416-1
2 - 7	MCP 2.8	0.5mm ²	1.0mm ²	1-968855-1
		1.5mm ²	2.5mm ²	1-968857-1
9 - 30	MCON 1.2	0.35mm ²		1534594-1
		0.5mm ²	0.75mm ²	1670144-1
WIRE SEALS				
CIRCUITS	TERMINAL	MIN WIRE O.D.	MAX WIRE O.D.	PART #
1 AND 8	MCP 6.3	1.4	2.0	2177018-1
		2.0	2.7	1394511-1
		2.7	3.0	1823111-1
		3.4	3.7	1394512-1
		4.0	4.5	1719043-1
2 - 7	MCP 2.8	1.4	2.0	828904-1
		2.2	3.0	828905-1
CAVITY PLUGS				
CIRCUITS	TERMINAL	PART #		
1 AND 8	MCP 6.3	967652-1		
2 - 7	MCP 2.8	828922-1		
9 - 30	MCON 1.2	2304518-1		



THIS DRAWING IS A CONTROLLED DOCUMENT. DWG: R. HETRICK 18APR2016
 CHK: R. HETRICK 18APR2016
 APVD: R. HETRICK 18APR2016

TE Connectivity

NAME: 30P SEALED HYBRID PLUG ASSEMBLY

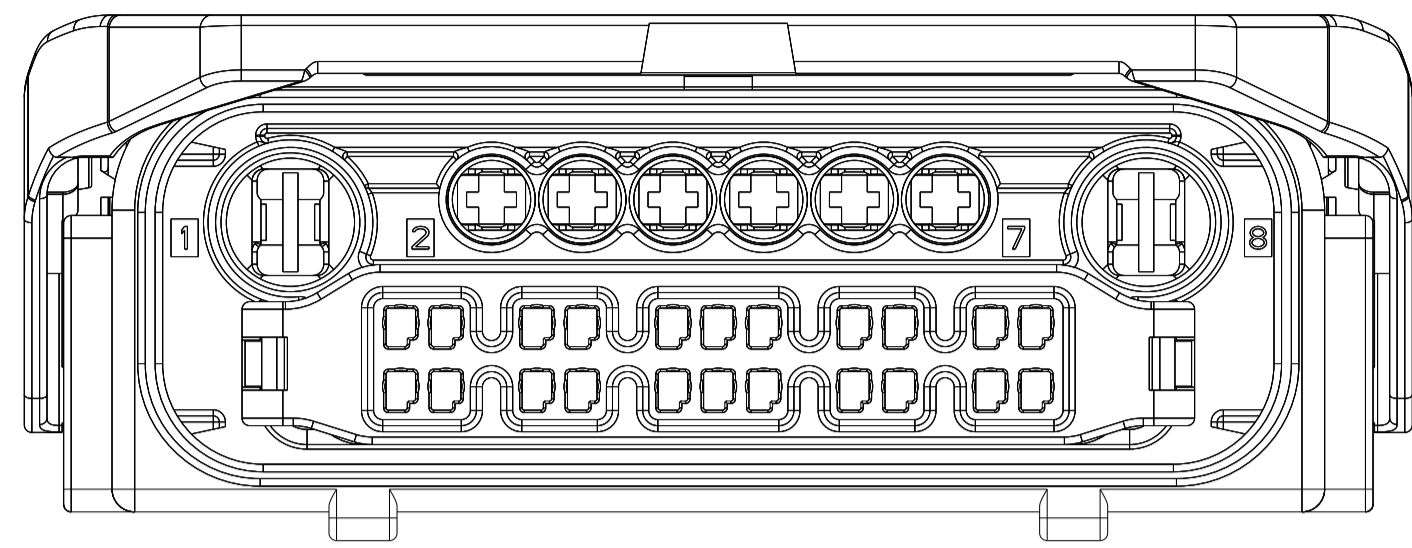
PRODUCT SPEC: -
 APPLICATION SPEC: -
 WEIGHT: -

DIMENSIONS: mm
 TOLERANCES UNLESS OTHERWISE SPECIFIED:
 0 PLC ±
 1 PLC ±0.5
 2 PLC ±0.3
 3 PLC ±
 4 PLC ±
 ANGLES ±°
 FINISH

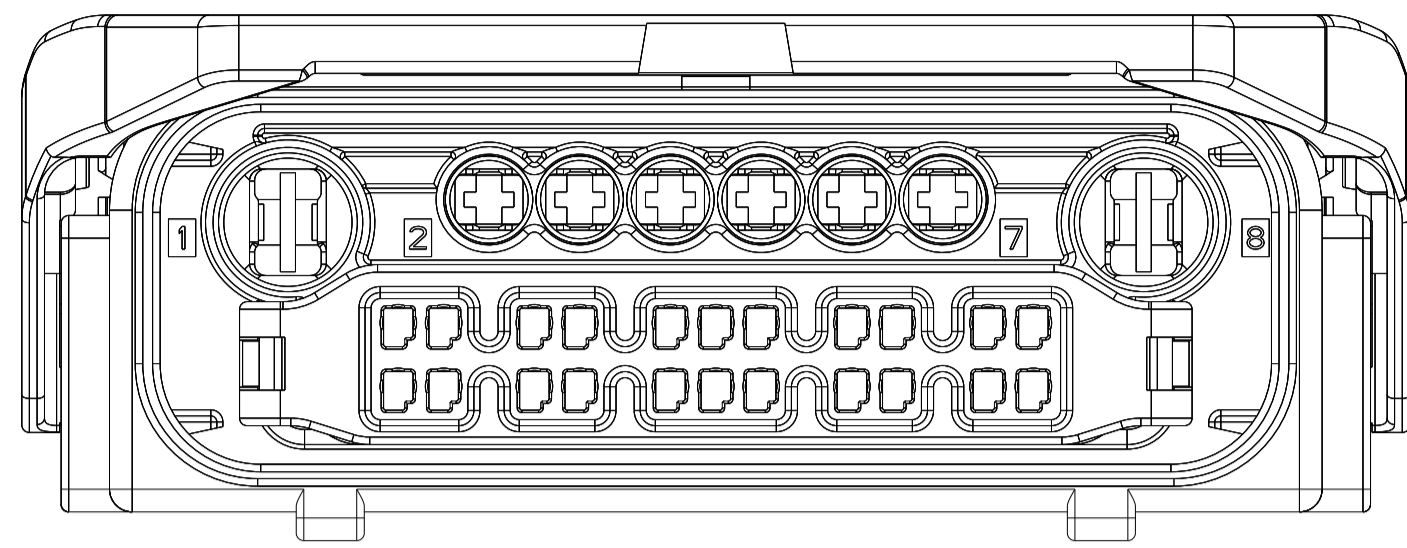
SIZE: A1
 CAGE CODE: -
 DRAWING NO: C=2301462
 RESTRICTED TO: -

CUSTOMER DRAWING SCALE: 3:2 SHEET 1 OF 4 REV: C10

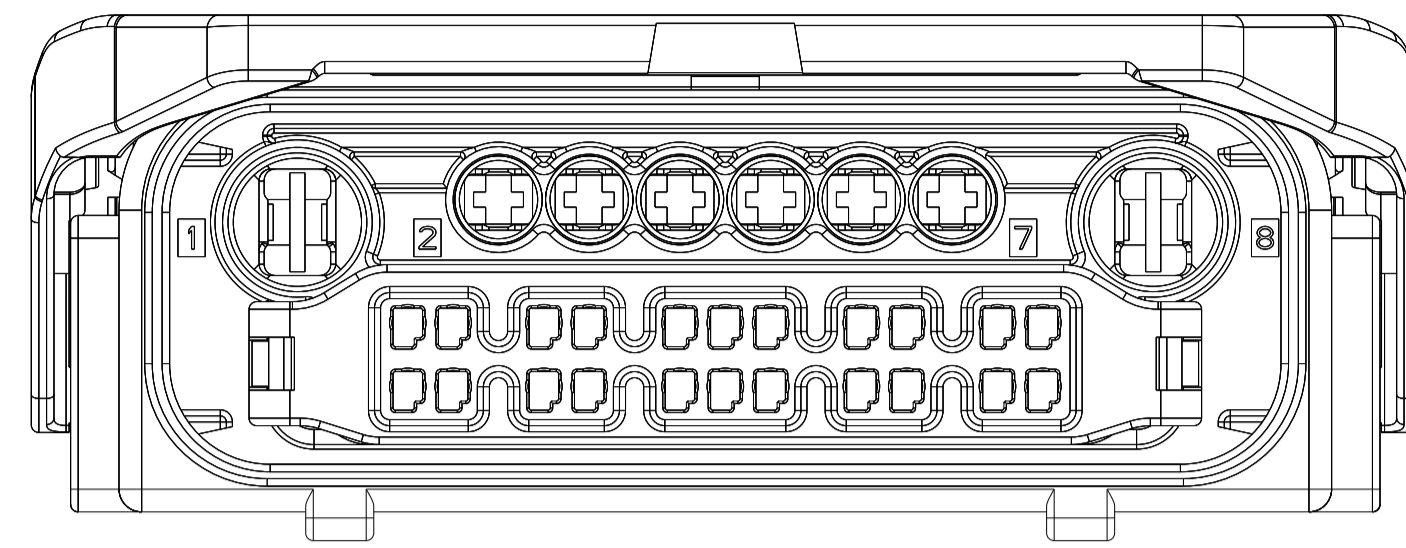
REVISIONS				
P	LTN	DESCRIPTION	DATE	APVD
-	-	SEE SHEET 1	-	-
-	-	-	-	-
-	-	-	-	-
-	-	-	-	-



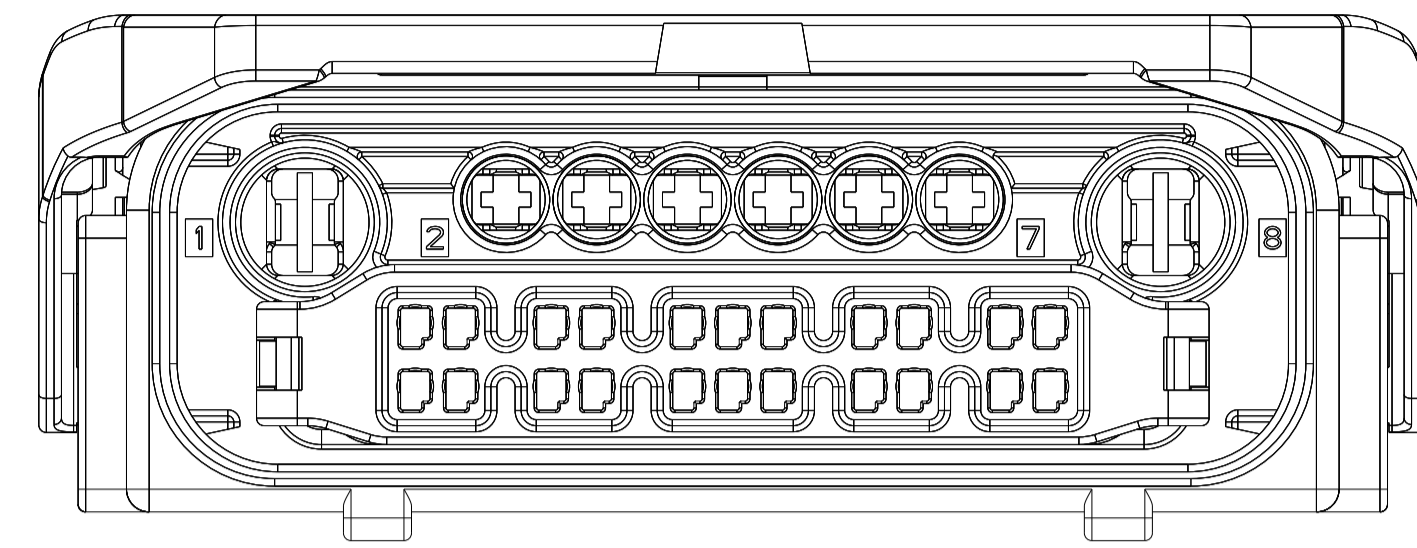
2301462-1
KEY A - BLACK



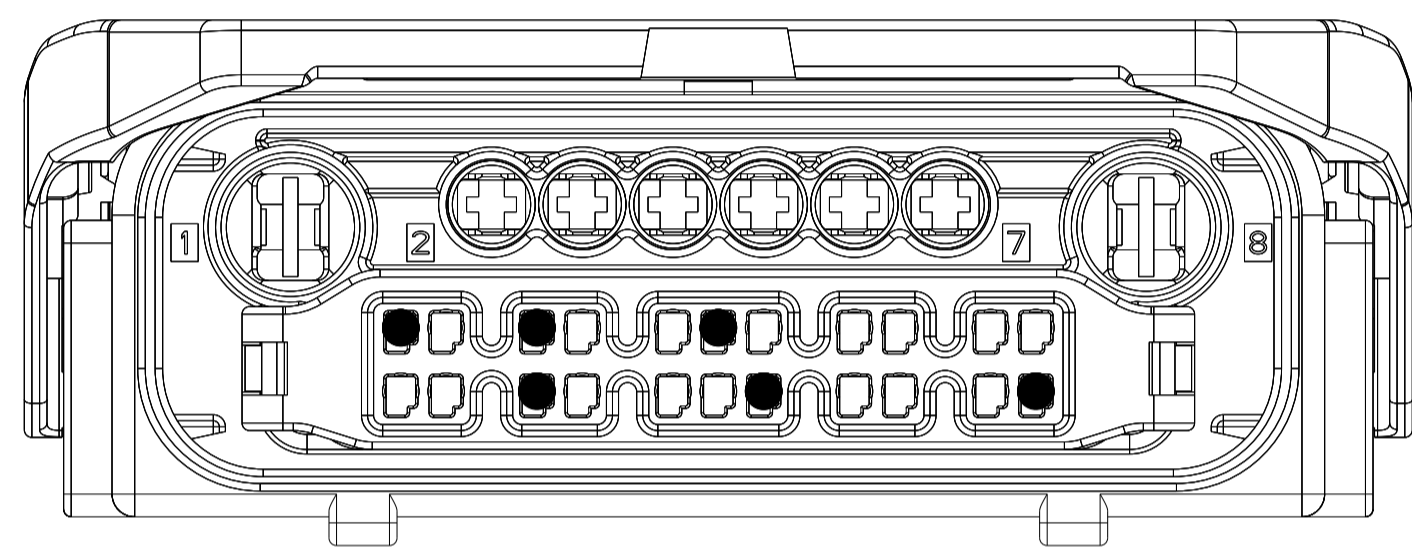
2301462-2
KEY B - LT GRAY



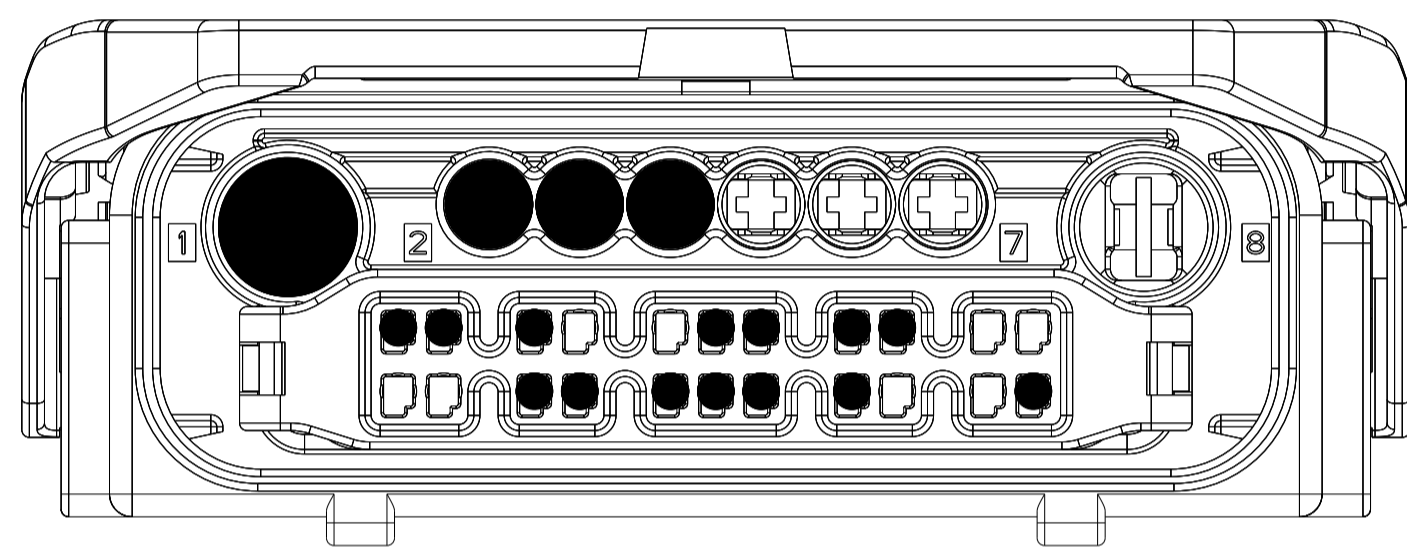
2301462-3
KEY C - DK GRAY



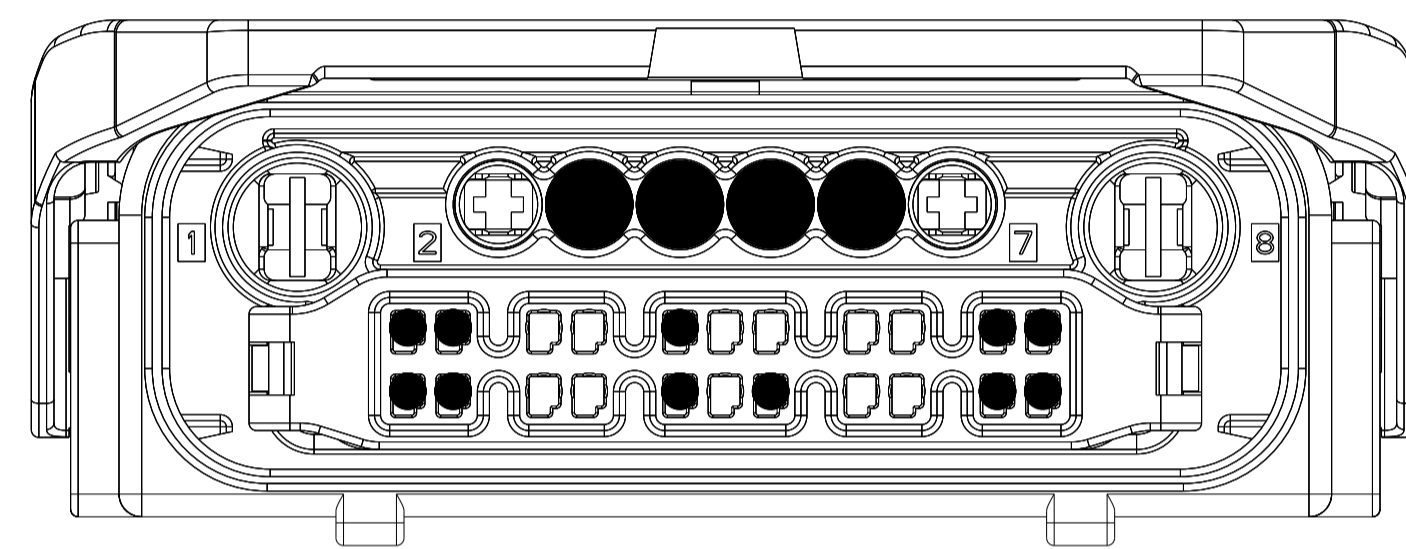
2301462-4
KEY D - BLACK



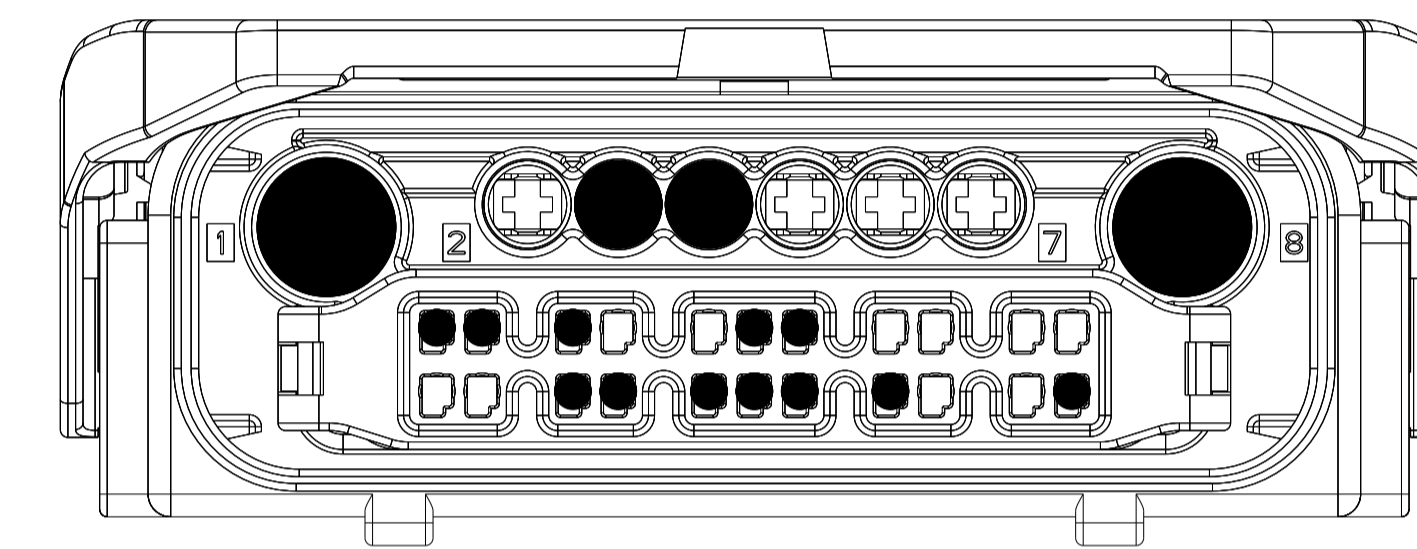
2301462-5
KEY A - BLACK



2301462-6
KEY A - BLACK



2301462-7
KEY A - BLACK



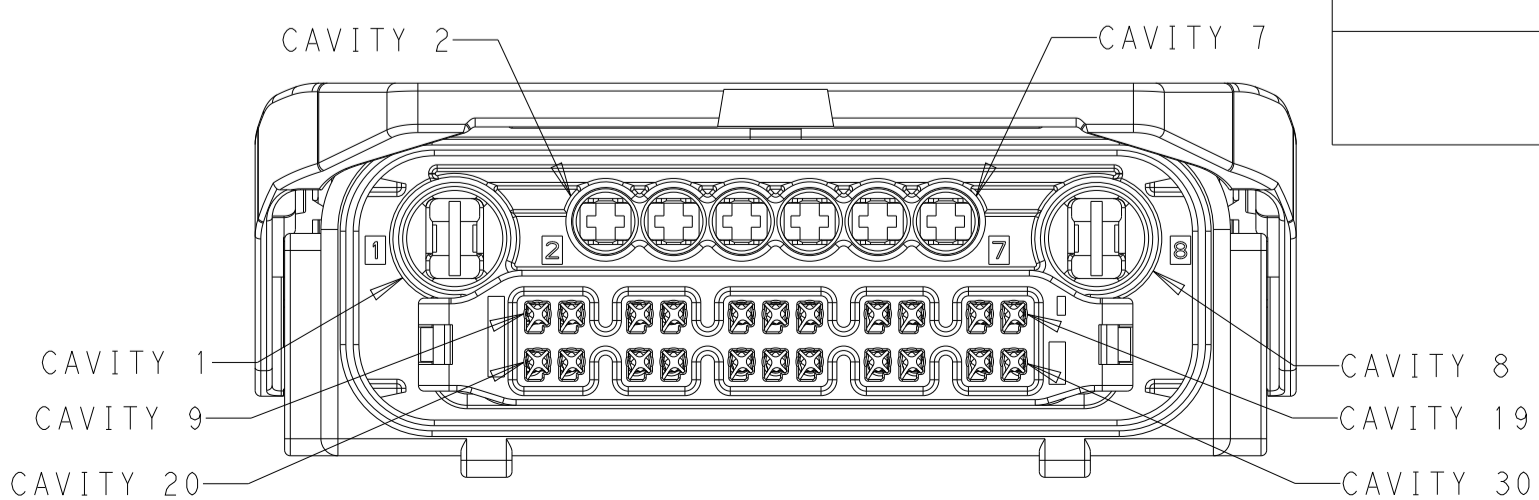
2301462-8
KEY A - BLACK

CIRCUITS WITH SHADED CIRCLES ARE BLOCKED

TOOLING STATUS	30	29	28	27	26	25	24	23	22	21	20	19	18	17	16	15	14	13	12	11	10	9	8	7	6	5	4	3	2	1	KEY	COLOR	ASSEMBLY PART #
TOOLED																															A	BLACK	2301462-8
TOOLED																															A	BLACK	2301462-7
TOOLED																															A	BLACK	2301462-6
TOOLED																															A	BLACK	2301462-5
TOOLED																															D	BLACK	2301462-4
TOOLED																															C	DK GRAY	2301462-3
TOOLED																															B	LT GRAY	2301462-2
TOOLED																															A	BLACK	2301462-1

TERMINAL HOLE POSITION
 CAVITIES WITH A NUMERIC SYMBOL INDICATES CLOSED TERMINAL LOCATION
 BLANK CAVITIES INDICATES OPEN TERMINAL HOLE LOCATIONS

PIN OUT CHART



THIS DRAWING IS A CONTROLLED DOCUMENT. DWN: R. HETRICK 18APR2016
 CHK: R. HETRICK 18APR2016
 APVD: R. HETRICK 18APR2016

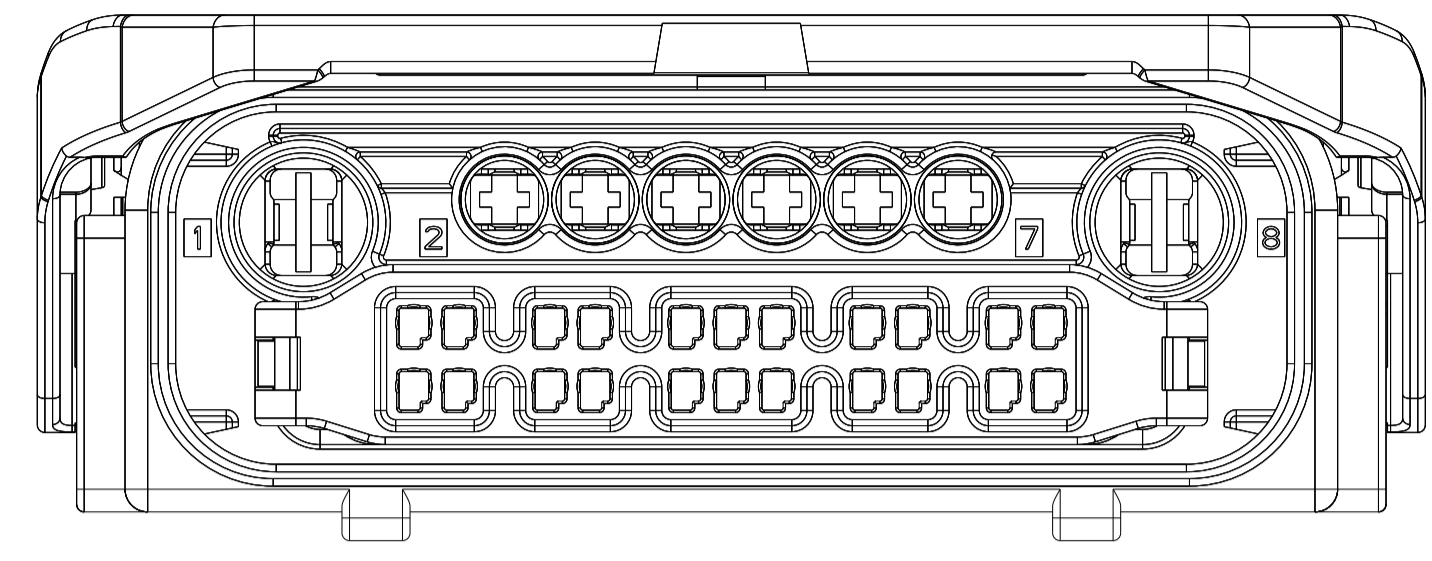
TE Connectivity

NAME: 30P SEALED HYBRID PLUG ASSEMBLY

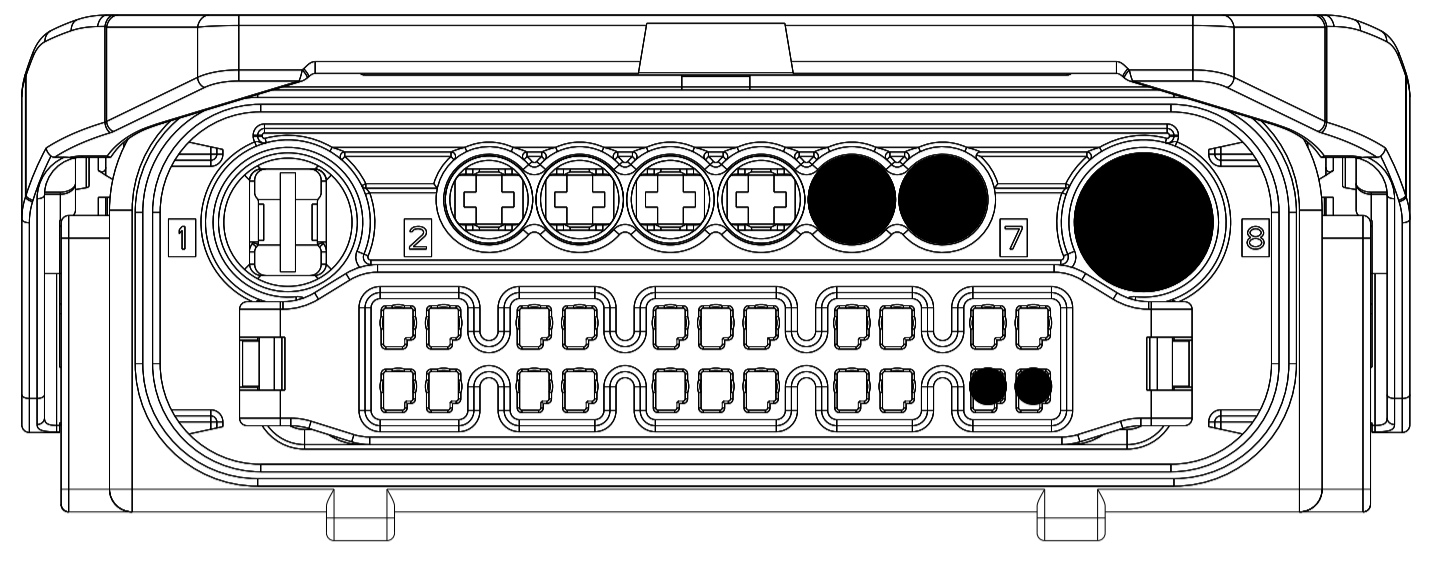
SIZE: A1 CAGE CODE: - DRAWING NO: C=2301462

SCALE: 3:2 SHEET: 2 OF 4

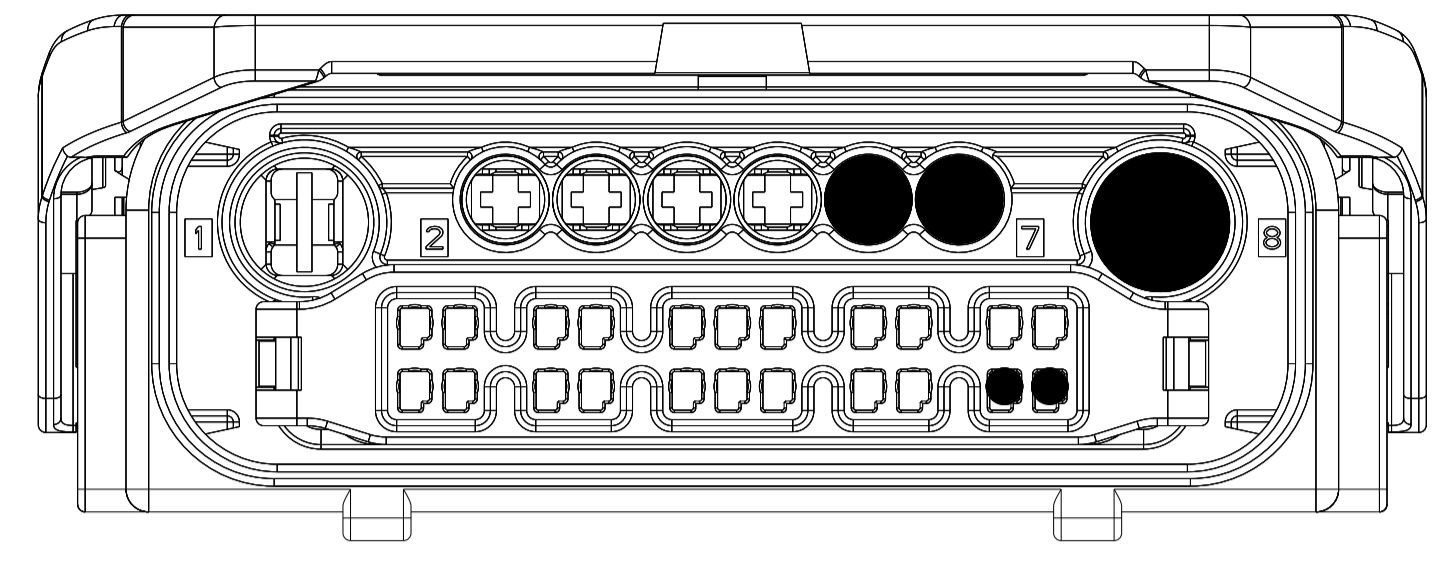
REVISIONS				
P	LTN	DESCRIPTION	DATE	APVD
-	-	SEE SHEET 1	-	-
-	-	-	-	-
-	-	-	-	-
-	-	-	-	-



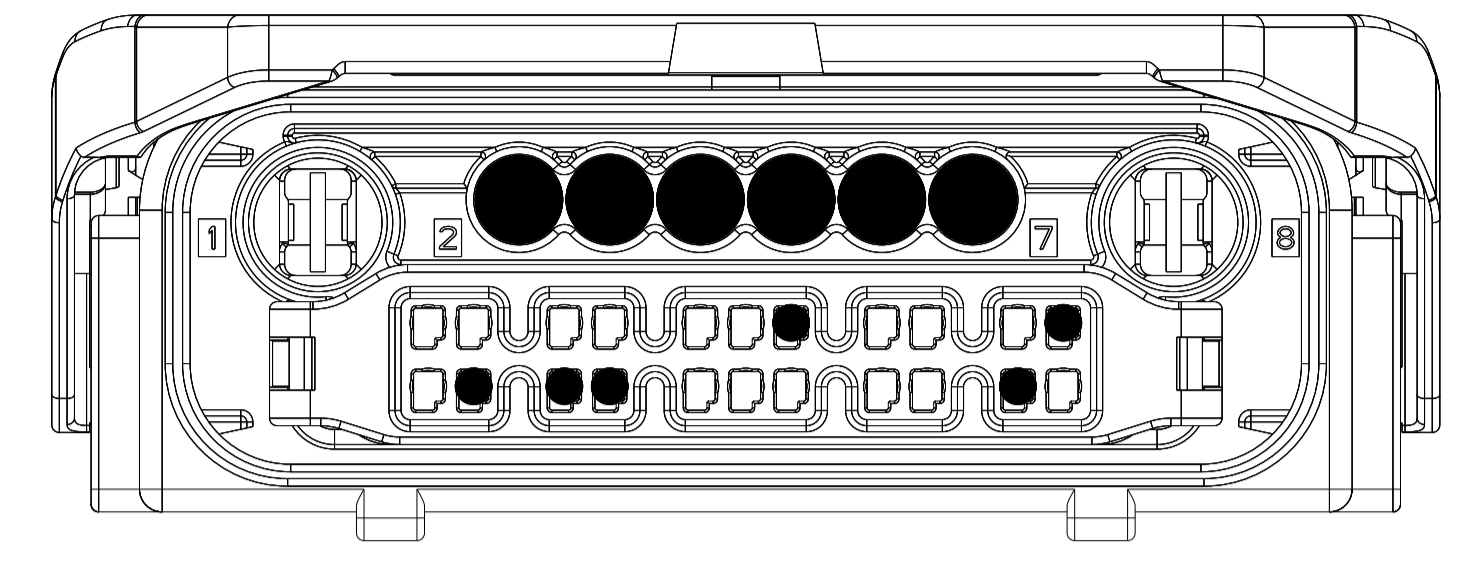
2301462-9
KEY A - YELLOW



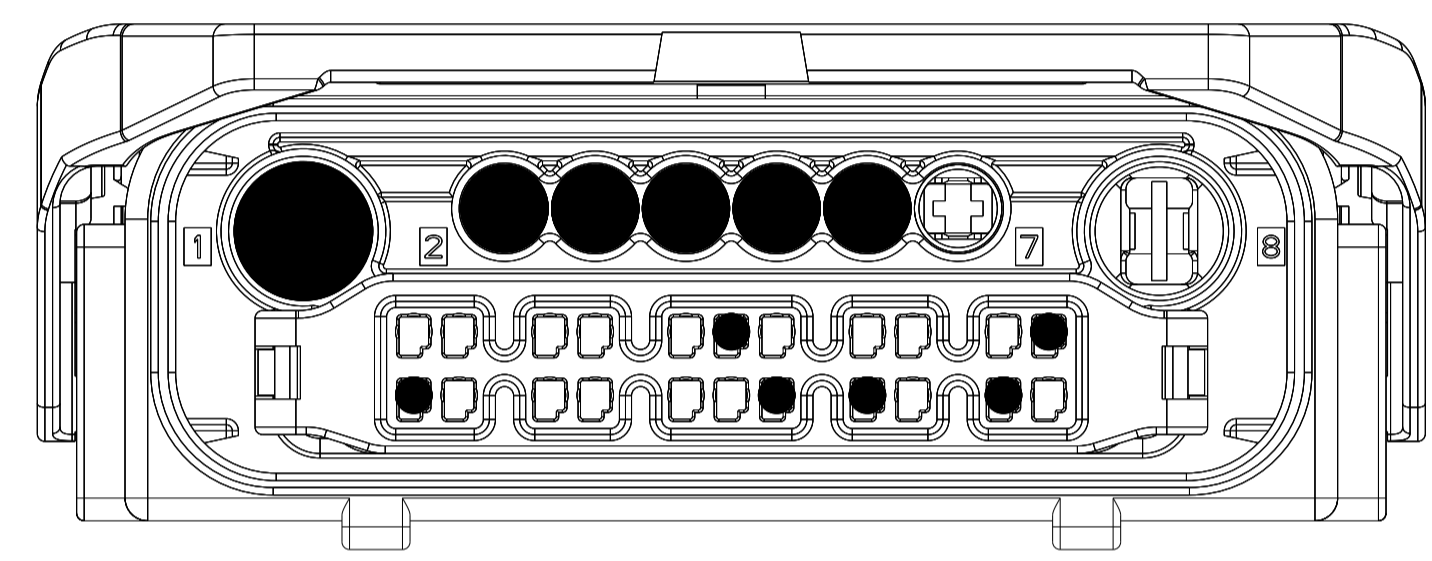
1-2301462-0
KEY A - YELLOW



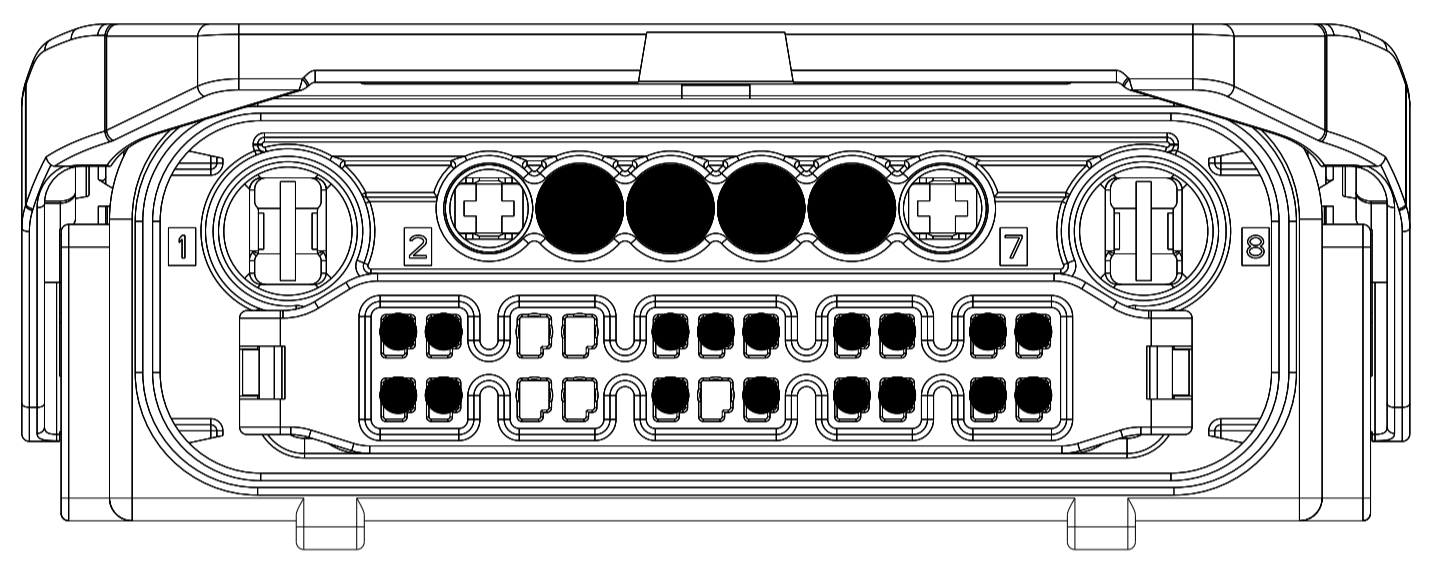
1-2301462-1
KEY A - BLACK



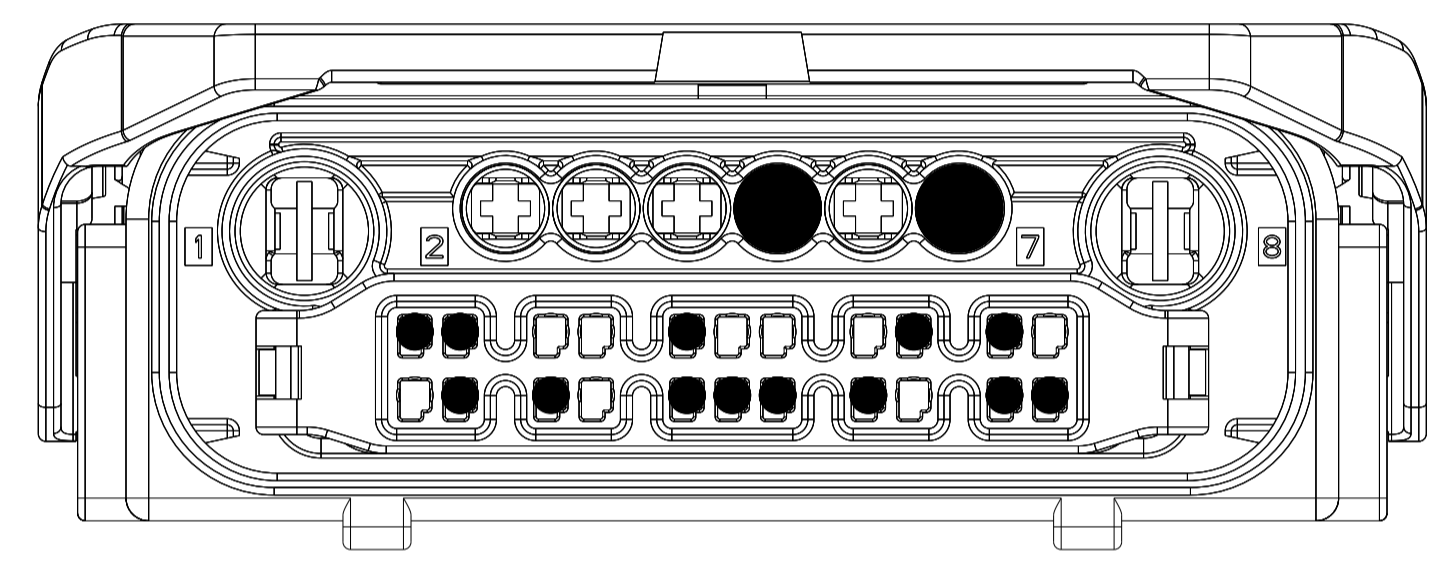
1-2301462-2
KEY A - BLACK



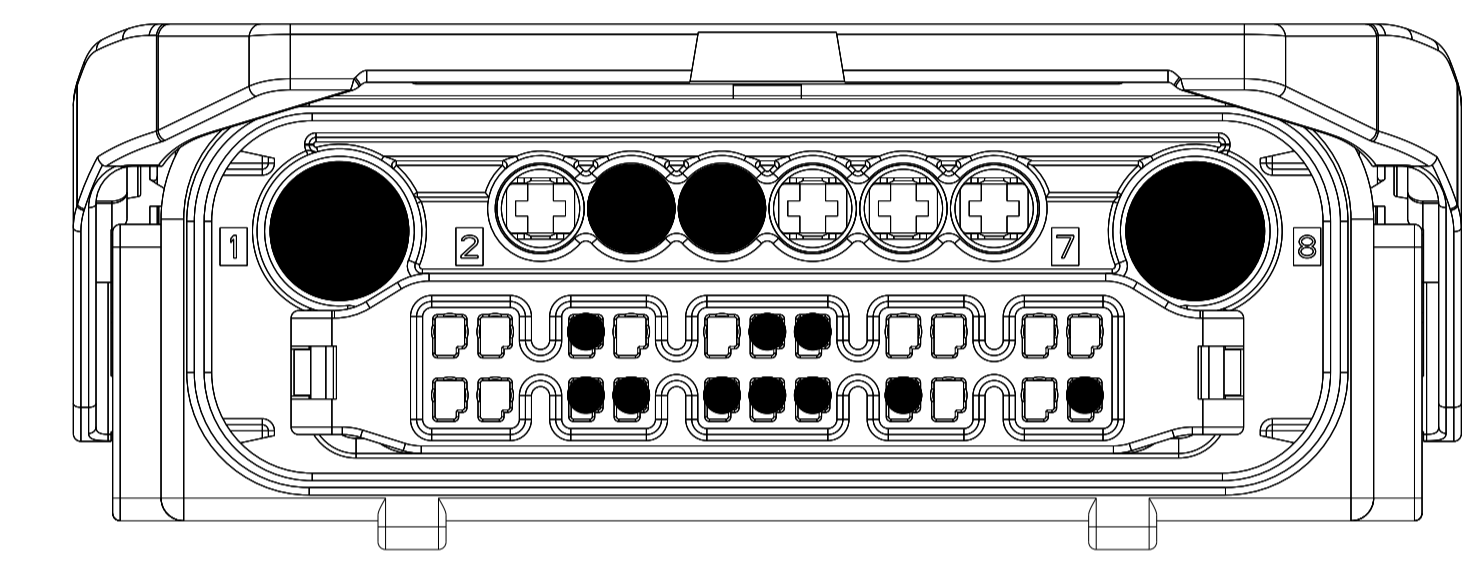
1-2301462-3
KEY A - BLACK



1-2301462-4
KEY B - LT GRAY



1-2301462-5
KEY A - BLACK



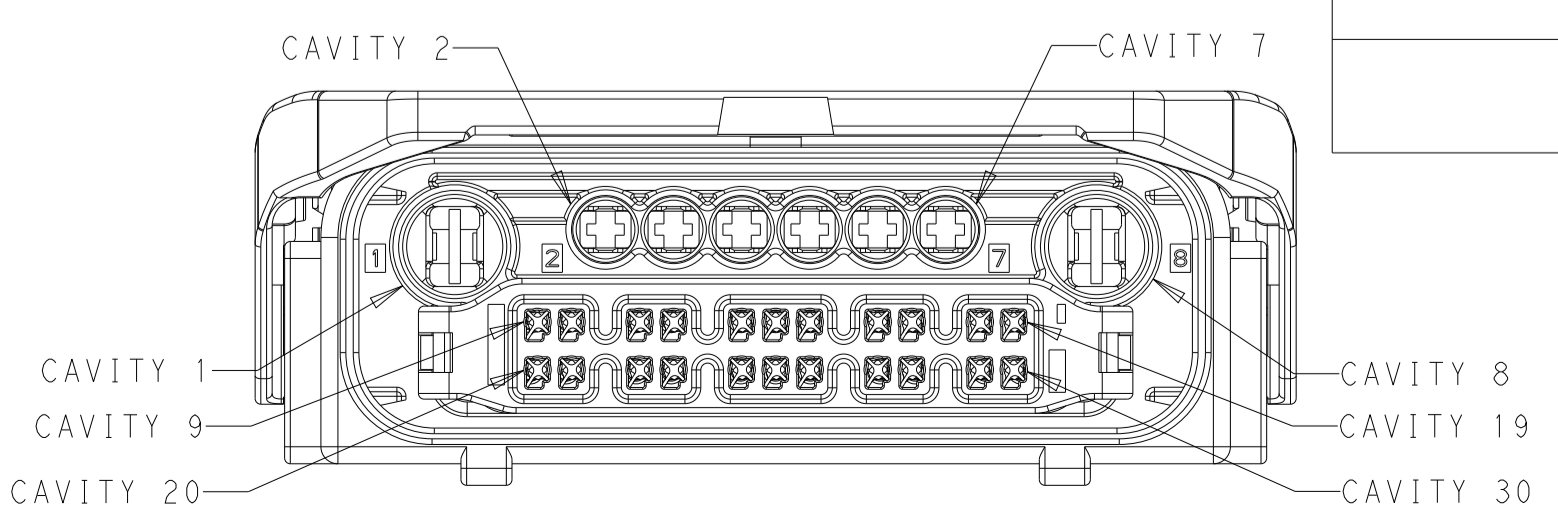
1-2301462-6
KEY A - BLACK

CIRCUITS WITH SHADED CIRCLES ARE BLOCKED

TOOLING STATUS	30	29	28	27	26	25	24	23	22	21	20	19	18	17	16	15	14	13	12	11	10	9	8	7	6	5	4	3	2	1	KEY	COLOR	ASSEMBLY PART #
TOOLED																															A	BLACK	1-2301462-6
TOOLED																															A	BLACK	1-2301462-5
TOOLED																															B	LT GRAY	1-2301462-4
TOOLED																															A	BLACK	1-2301462-3
TOOLED																															A	BLACK	1-2301462-2
TOOLED																															A	BLACK	1-2301462-1
TOOLED																															A	YELLOW	1-2301462-0
TOOLED																															A	YELLOW	2301462-9

TERMINAL HOLE POSITION
 CAVITIES WITH A NUMERIC SYMBOL INDICATES CLOSED TERMINAL LOCATION
 BLANK CAVITIES INDICATES OPEN TERMINAL HOLE LOCATIONS

PIN OUT CHART



THIS DRAWING IS A CONTROLLED DOCUMENT. DWN: R. HETRICK 18APR2016
 CHK: R. HETRICK 18APR2016
 APVD: R. HETRICK 18APR2016

TE Connectivity

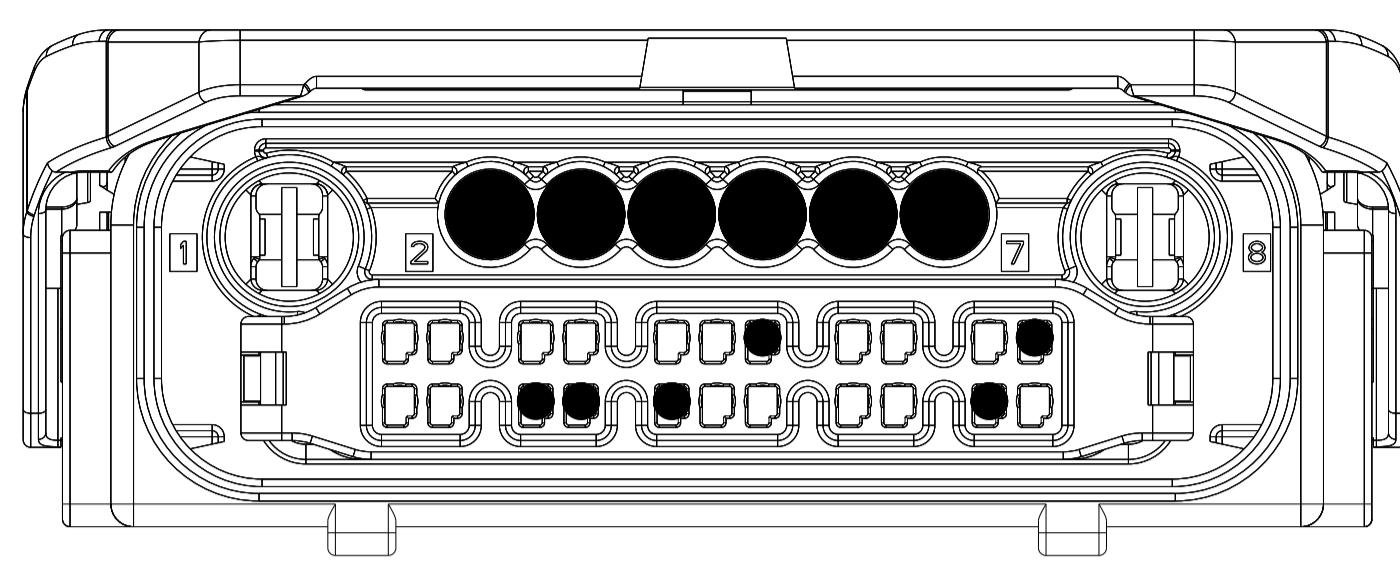
NAME: 30P SEALED HYBRID PLUG ASSEMBLY

SIZE: A1 CAGE CODE: - DRAWING NO: C=2301462 RESTRICTED TO: -

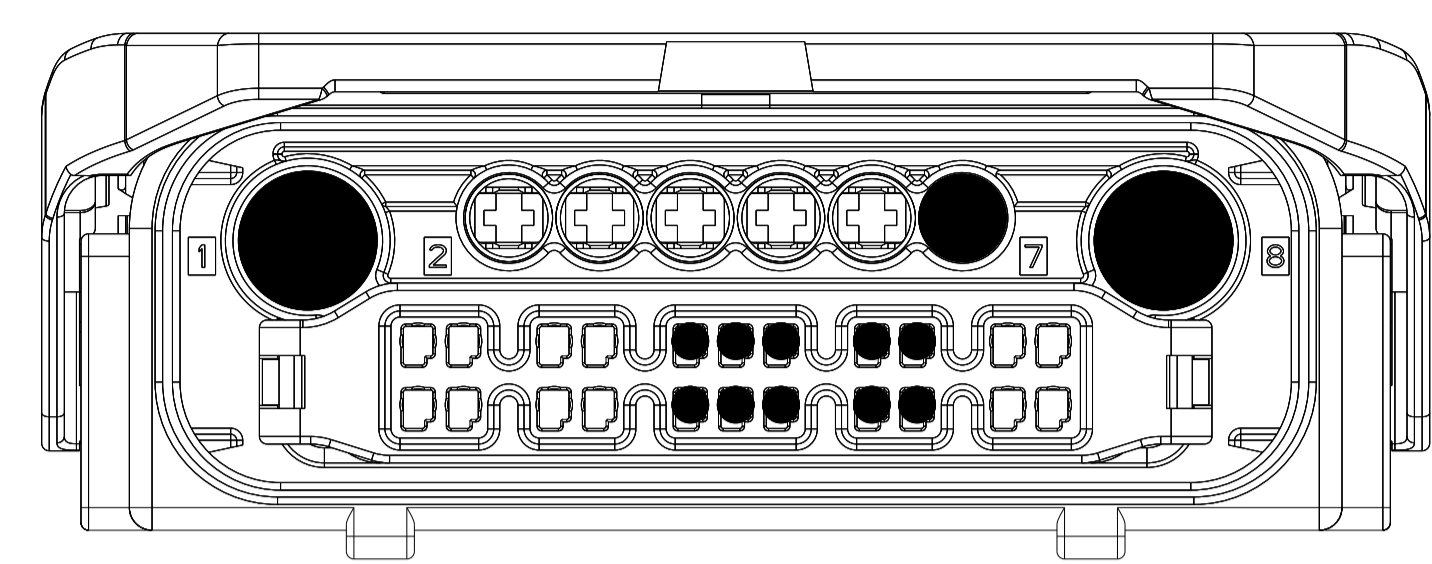
SCALE: 3:2 SHEET: 3 OF 4 REV: C10

THIS DRAWING IS UNPUBLISHED. RELEASED FOR PUBLICATION 2014
 COPYRIGHT 2014 BY - ALL RIGHTS RESERVED.

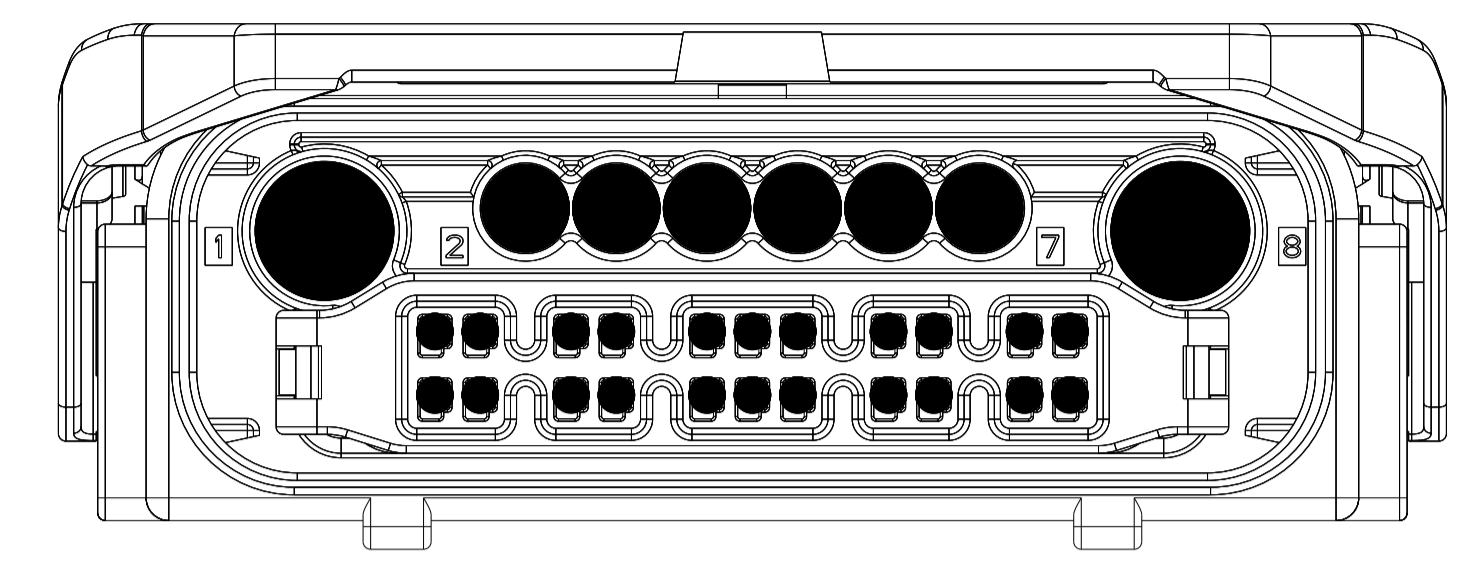
REVISIONS				
P	LTN	DESCRIPTION	DATE	APVD
-	-	SEE SHEET 1	-	-
-	-	-	-	-
-	-	-	-	-



1-2301462-7
KEY A - BLACK



1-2301462-8
KEY A - BLACK

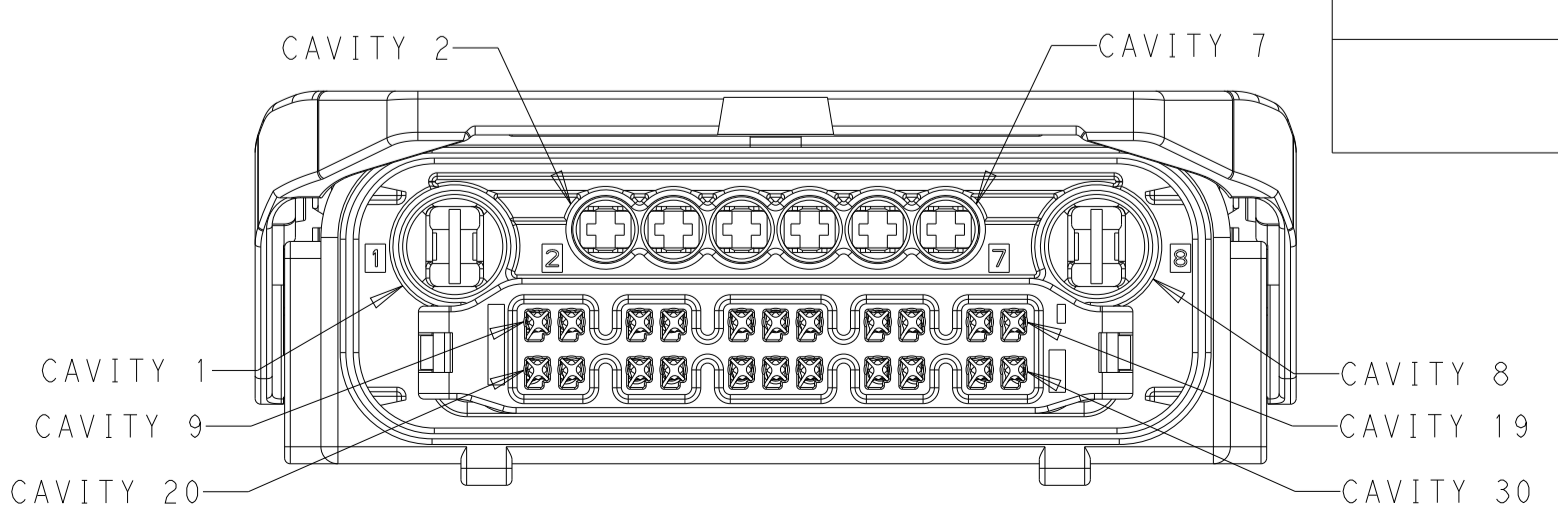


9-2301462-9
KEY A - BLACK

CIRCUITS WITH SHADED CIRCLES ARE BLOCKED

TOOLED	30	29	28	27	26	25	24	23	22	21	20	19	18	17	16	15	14	13	12	11	10	9	8	7	6	5	4	3	2	1	A	BLACK	9-2301462-9	
TOOLED			28	27	26	25	24							17	16	15	14	13					8	7						1	A	BLACK	1-2301462-8	
TOOLED		29					24	23	22			19				15								7	6	5	4	3	2			A	BLACK	1-2301462-7
TOOLING STATUS	30	29	28	27	26	25	24	23	22	21	20	19	18	17	16	15	14	13	12	11	10	9	8	7	6	5	4	3	2	1	KEY	COLOR	ASSEMBLY PART #	
TERMINAL HOLE POSITION CAVITIES WITH A NUMERIC SYMBOL INDICATES CLOSED TERMINAL LOCATION BLANK CAVITIES INDICATES OPEN TERMINAL HOLE LOCATIONS																																		

PIN OUT CHART



THIS DRAWING IS A CONTROLLED DOCUMENT.

DIMENSIONS:	TOLERANCES UNLESS OTHERWISE SPECIFIED:	OWN: R. HETRICK 18APR2016	CHK: R. HETRICK 18APR2016	APVD: R. HETRICK 18APR2016
mm	0 PLC ±.1 1 PLC ±0.5 2 PLC ±0.3 3 PLC ±.1 4 PLC ±.1 ANGLES ±.5° FINISH	NAME: 30P SEALED HYBRID PLUG ASSEMBLY SIZE: A1 CAGE CODE: - DRAWING NO: C=2301462 RESTRICTED TO: - SCALE: 3:2 SHEET: 4 OF 4 REV: C10		
MATERIAL:		CUSTOMER DRAWING DATE: 18APR2016 DRAWING NO: C=2301462		

TE Connectivity

X-ON Electronics

Largest Supplier of Electrical and Electronic Components

Click to view similar products for [Automotive Connectors](#) category:

Click to view products by [TE Connectivity](#) manufacturer:

Other Similar products are found below :

[003-018-000](#) [60403001](#) [60993906-B](#) [M902-2131](#) [M902-2161](#) [M902-2344](#) [72.330.1035.1](#) [73.353.4028.0](#) [F119300-B](#) [F166900](#) [F258300-B](#)
[F358300-B](#) [F407400](#) [F444110](#) [F487000](#) [F509500B-B](#) [827153-1](#) [8N1515-32-24P](#) [9-1326729-8](#) [925474-1](#) [928905-1](#) [964562-4](#) [968782-1](#)
[GT17SA-8DS-HU](#) [98891-1012](#) [98947-1016](#) [12004147](#) [12004475-L](#) [12010290](#) [12015454](#) [12020219-B](#) [12041318-B](#) [12052225-L](#) [12052466](#)
[12064869](#) [12004327-B](#) [12015308](#) [12015384](#) [12015909](#) [1-21030-1](#) [12041254](#) [12041318](#) [12047946-B](#) [12047957](#) [12047957-L](#) [12059473](#)
[12066261](#) [12110546](#) [12110546-B](#) [12131792](#)