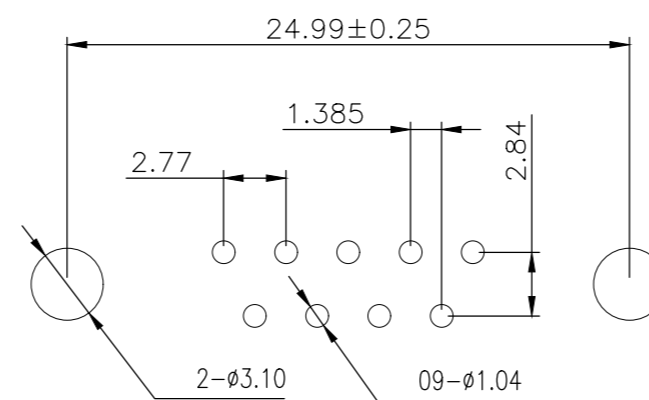
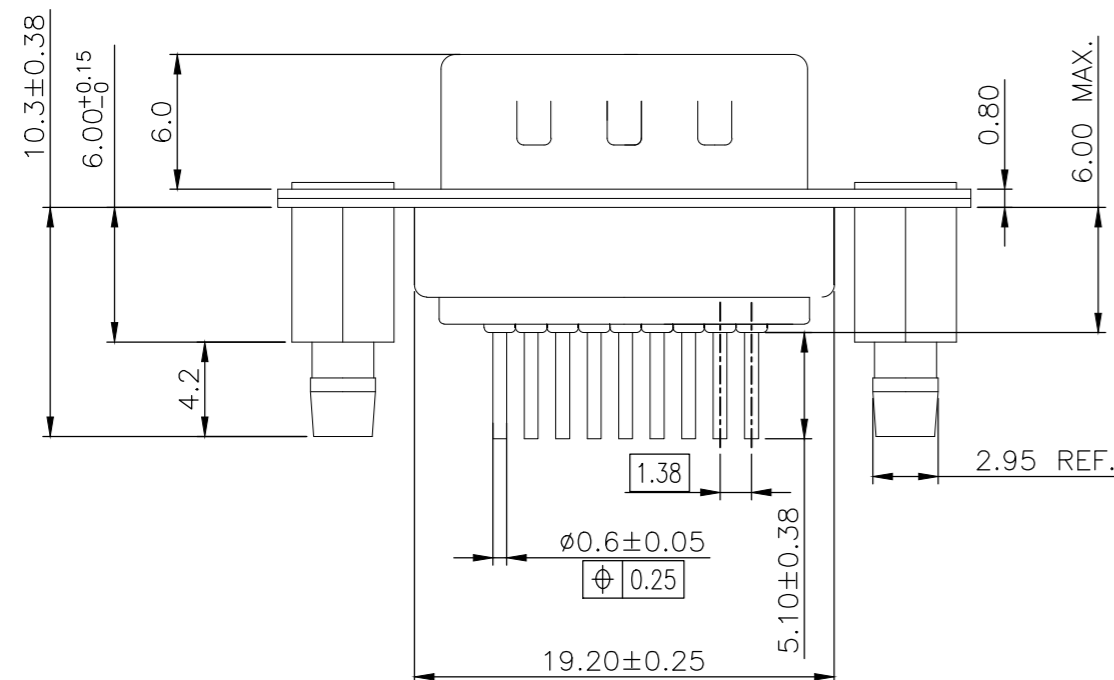
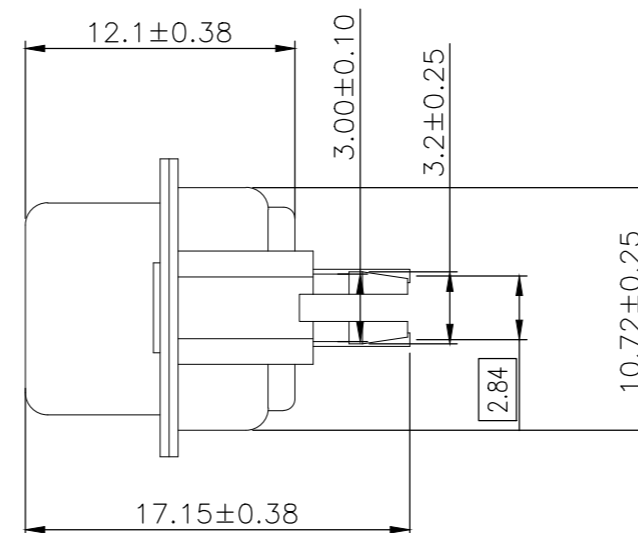
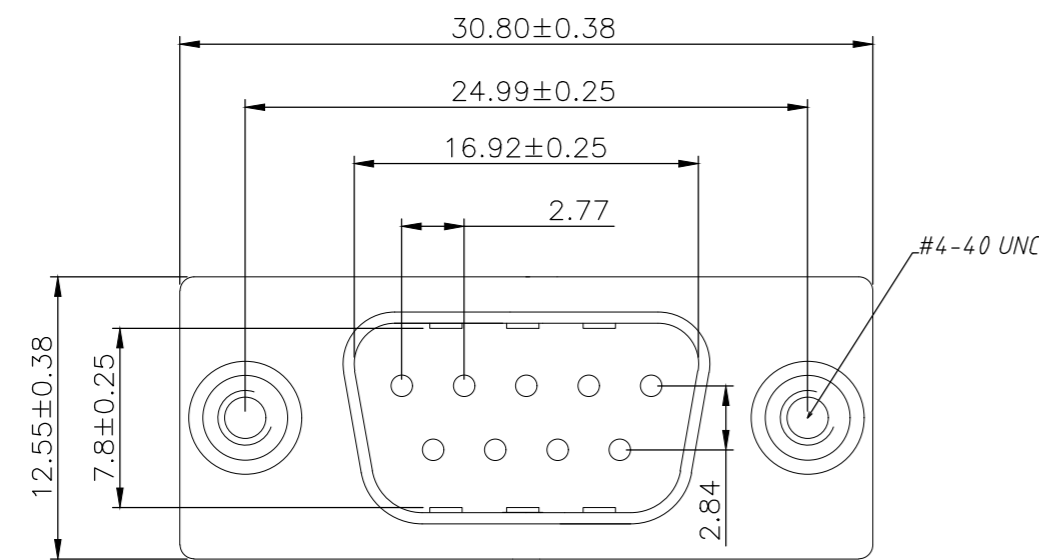


THIS DRAWING IS UNPUBLISHED. RELEASED FOR PUBLICATION
 © COPYRIGHT - By - ALL RIGHTS RESERVED.

REVISIONS				
P	LTR	DESCRIPTION	DATE	APVD
D		REVISED PER ECO-18-001882	12FEB2018	AP DG

NOTE:

- MATERIAL:**
 HOUSING: PBT WITH 20% GF UL 94 V-0, BLACK COLOR
 CONTACTS: BRASS.
 SHELL: STEEL.
 SCREW: BRASS.
 SCREW LOCK: BRASS.
 SCREW TORQUE: 5kgf-cm MAX.
- FINISH:**
 CONTACTS: GOLD PLATED ON CONTACT AREA,
 0.375µm [15µ"] MIN. MATTE TIN ON SOLDER TAIL
 2.54µm [100µ"], WITH ENTIRE CONTACT UNDERPLATED 1.27µm [50µ"] MIN. NICKEL.
 FRONT SHELL: 2.54µm [100µ"] MIN. NICKEL PLATE.
 REAR SHELL: 1.27µm [50µ"] MIN NICKEL UNDERPLATE
 2.54µm [100µ"] MIN BRIGHT TIN PLATE
 SCREW LOCK: 1.27µm [50µ"] MIN. NICKEL PLATED.
 BOARDLOCK: 1.27µm [50µ"] MIN NICKEL UNDERPLATE
 1.27µm [50µ"] MIN MATTE TIN PLATE
- WAVE SOLDER CAPABLE TO 265°C PER TE TEST SPEC. 109-202, CONDITION B.**



RECOMMENDED PCB LAYOUT

2301826

9w D plg W B/L & 4-40 inserts 15u" gold	2301826-1
DESCRIPTION	TE PART NO



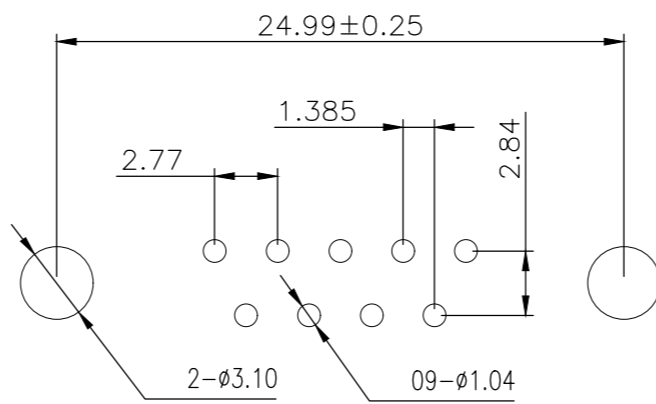
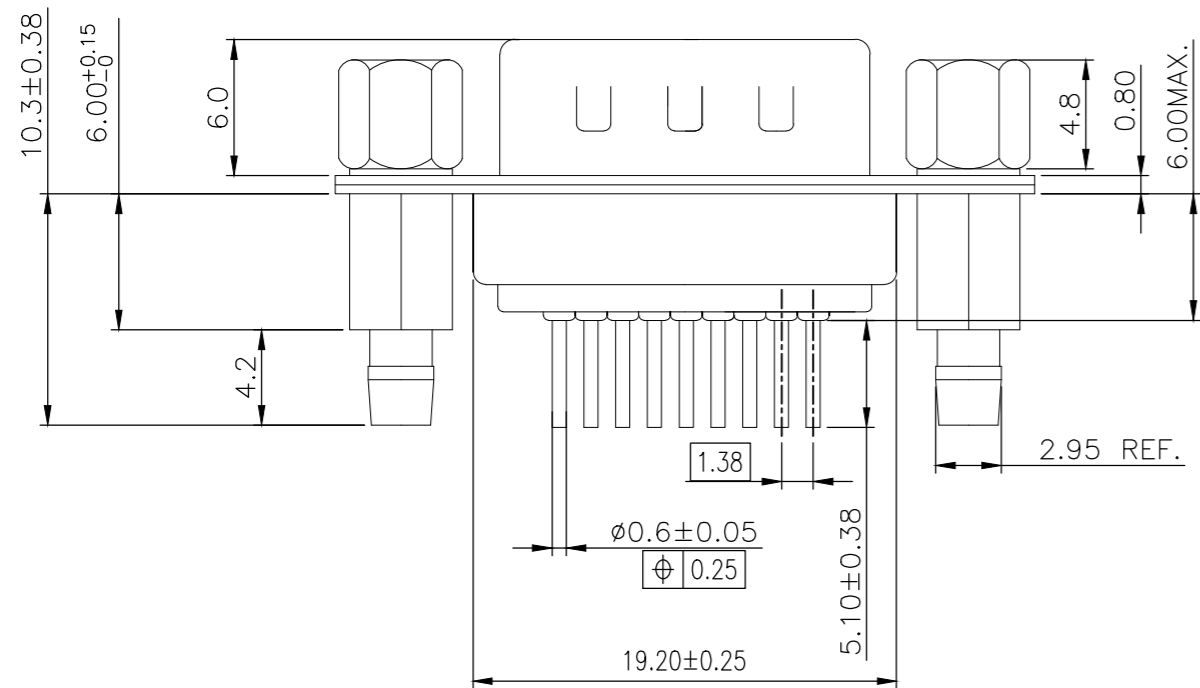
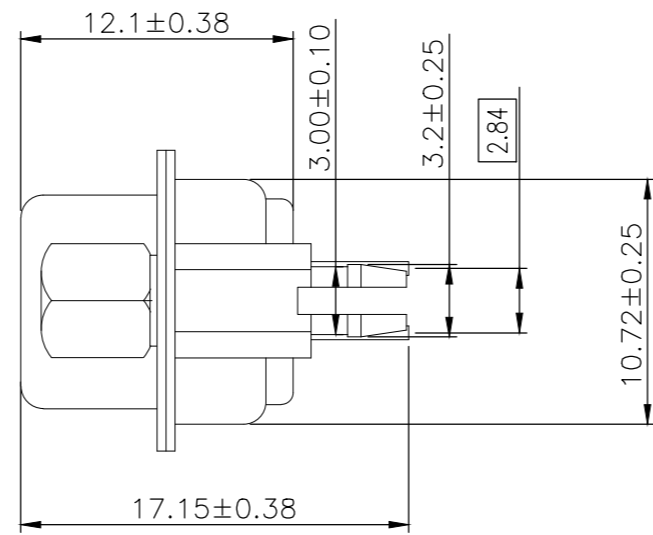
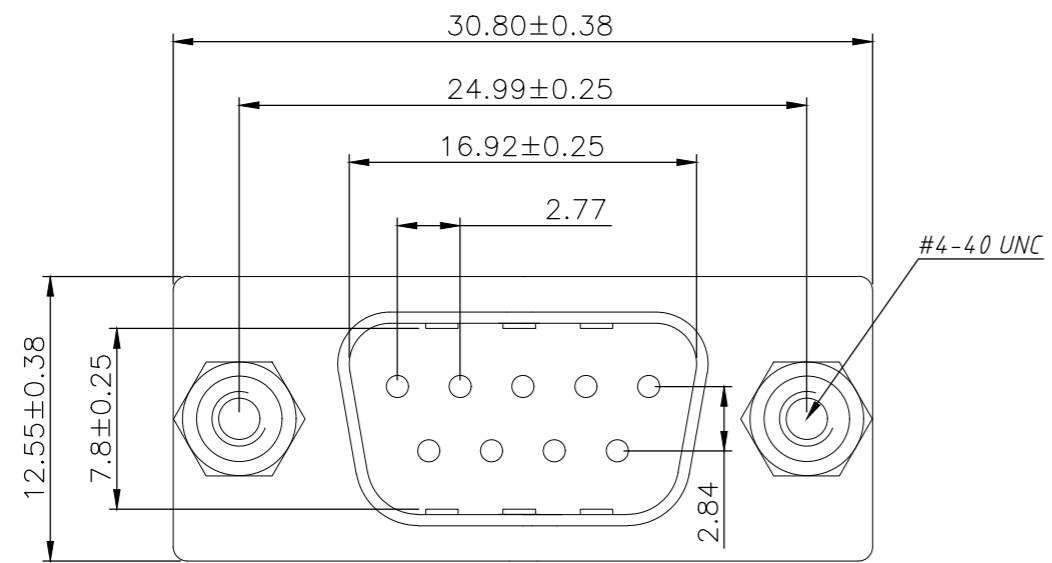
NAME		D-SUB VERTICAL 9P PLUG CONNECTOR	
PRODUCT SPEC	108-130013	SIZE	A2
APPLICATION SPEC	-	CAGE CODE	00779
MATERIAL	-	DRAWING NO	C=2301826
WEIGHT	0	RESTRICTED TO	-

THIS DRAWING IS A CONTROLLED DOCUMENT.		DWN	AJITH PAI	06FEB2017
DIMENSIONS: mm		CHK	DAN GORENC	06FEB2017
TOLERANCES UNLESS OTHERWISE SPECIFIED:		APVD		06FEB2017
0 PLC	± -	PRODUCT SPEC		
1 PLC	± 0.25	108-130013		
2 PLC	± 0.15	APPLICATION SPEC		
3 PLC	± -	-		
4 PLC	± -	WEIGHT		
ANGLES	± 2'	0		
FINISH		CUSTOMER DRAWING		

SCALE	3:1	SHEET	1 of 4	REV	D
-------	-----	-------	--------	-----	---

THIS DRAWING IS UNPUBLISHED. RELEASED FOR PUBLICATION
 © COPYRIGHT - By - ALL RIGHTS RESERVED.

REVISIONS					
P	LTR	DESCRIPTION	DATE	DWN	APVD
-	-	SEE SHEET 1	-	-	-



RECOMMENDED PCB LAYOUT

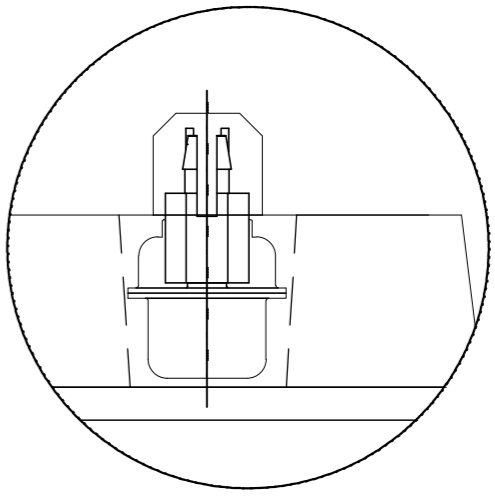
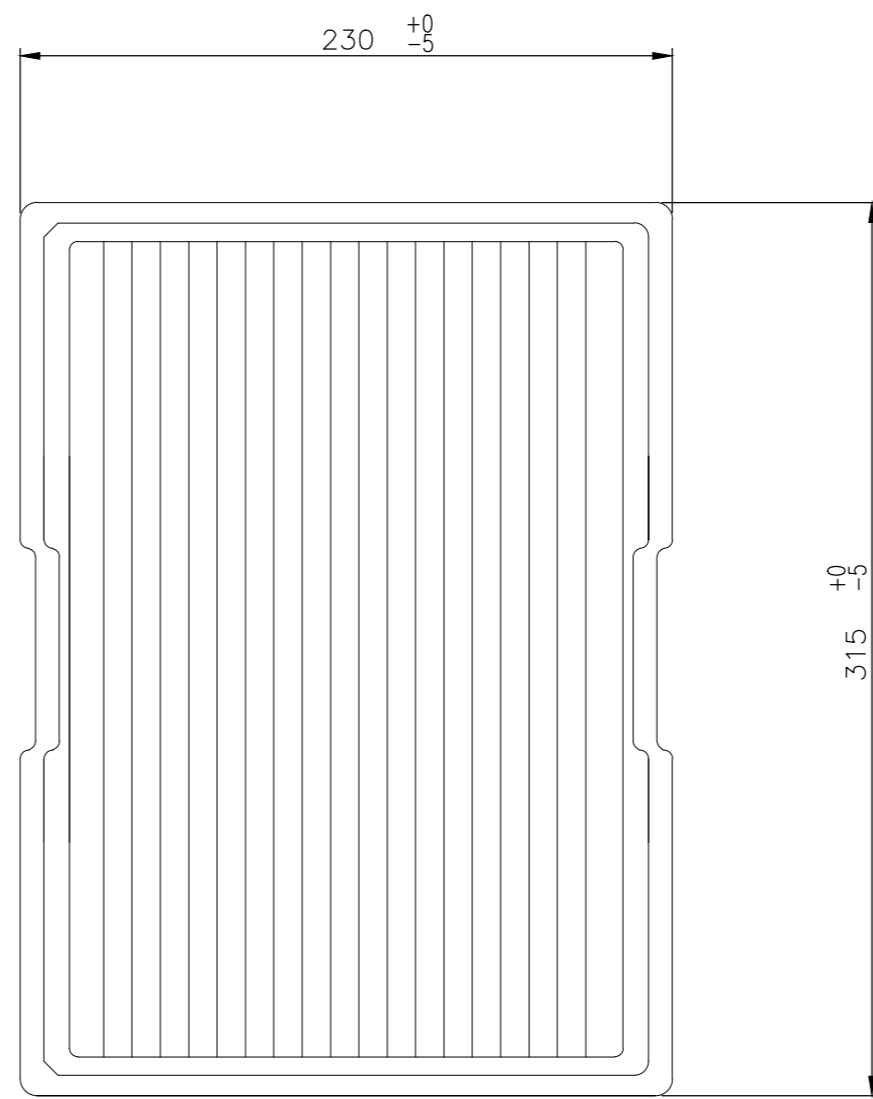
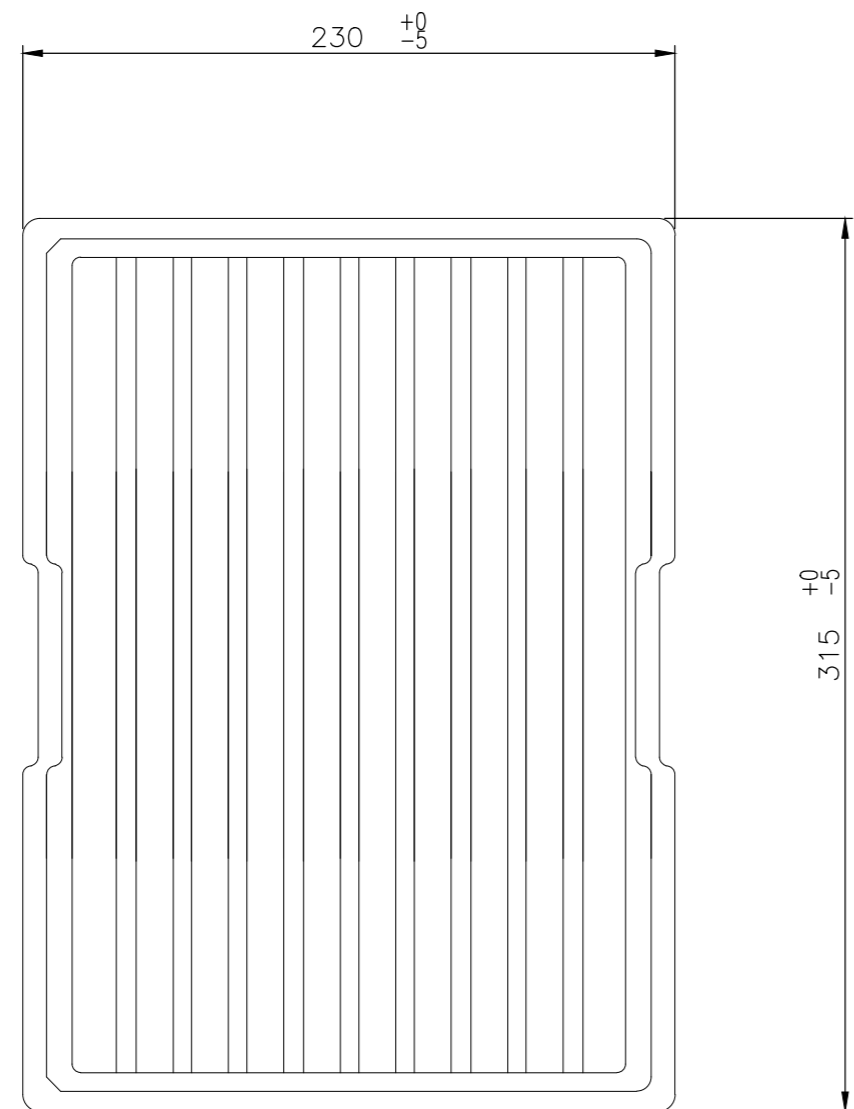
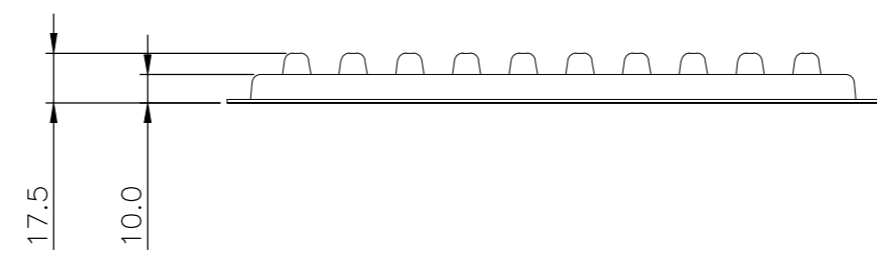
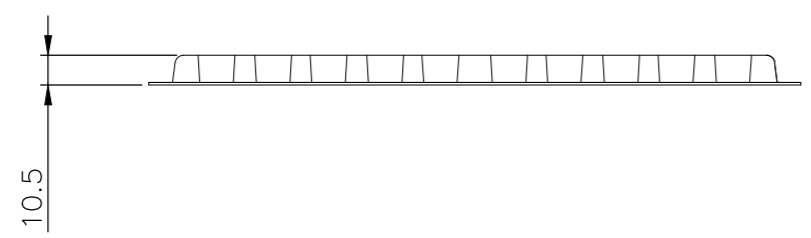
2301826

THIS DRAWING IS A CONTROLLED DOCUMENT.		DWN	AJITH PAI	06FEB2017
DIMENSIONS: mm		CHK	DAN GORENC	06FEB2017
TOLERANCES UNLESS OTHERWISE SPECIFIED:		APVD	-	06FEB2017
0 PLC ± -		PRODUCT SPEC	108-130013	
1 PLC ± 0.25		APPLICATION SPEC	-	
2 PLC ± 0.15		WEIGHT	0	
3 PLC ± -		CUSTOMER DRAWING	-	
4 PLC ± -		SCALE	3:1	
ANGLES ± 2°		SHEET	2 of 4	
MATERIAL -		REV	D	
FINISH -				

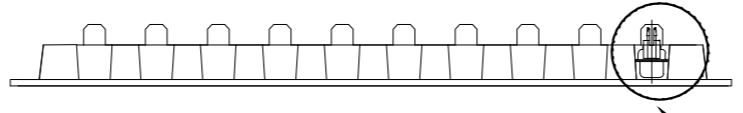
9w D plg W B/L & 4-40 s/lock 15u" gold		2301826-2	
DESCRIPTION		TE PART NO	
TE TE Connectivity			
D-SUB VERTICAL 9P PLUG CONNECTOR			
SIZE	CAGE CODE	DRAWING NO	RESTRICTED TO
A2	00779	C=2301826	-

THIS DRAWING IS UNPUBLISHED. RELEASED FOR PUBLICATION
 © COPYRIGHT - By - ALL RIGHTS RESERVED.

REVISIONS					
P	LTR	DESCRIPTION	DATE	DWN	APVD
-	-	SEE SHEET 1	-	-	-



DETAIL A

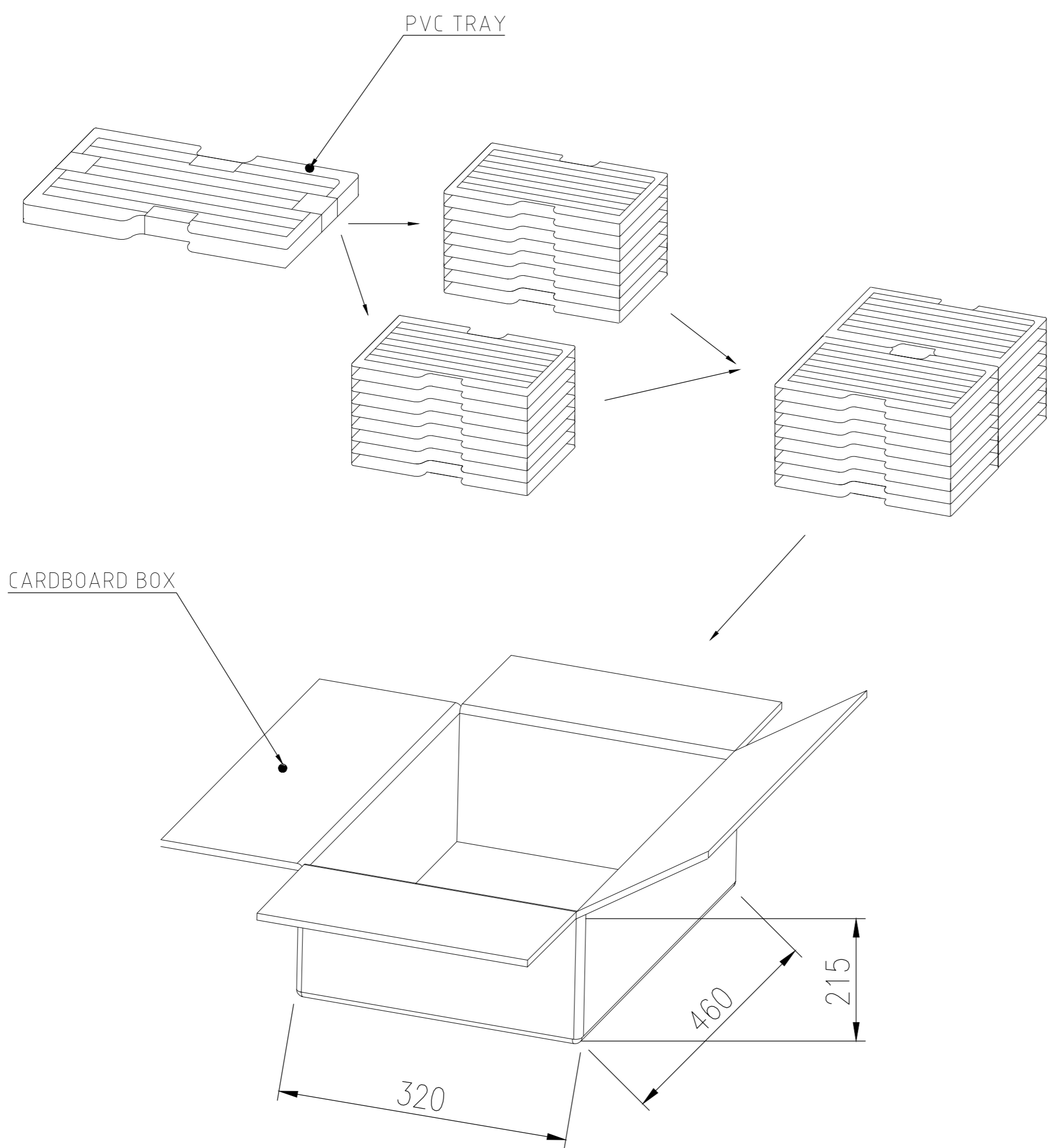


SEE DETAIL A

THIS DRAWING IS A CONTROLLED DOCUMENT.		DWN AJITH PAI 06FEB2017			
DIMENSIONS: mm		CHK DAN GORENC 06FEB2017			
TOLERANCES UNLESS OTHERWISE SPECIFIED:		APVD - 06FEB2017	NAME		
0 PLC ± -		PRODUCT SPEC	D-SUB VERTICAL		
1 PLC ± 0.25		108-130013	9P PLUG CONNECTOR		
2 PLC ± 0.15		APPLICATION SPEC	SIZE	CAGE CODE	DRAWING NO
3 PLC ± -		-	A2	00779	C=2301826
4 PLC ± -		WEIGHT	RESTRICTED TO		
ANGLES ± -		0	-		
FINISH		CUSTOMER DRAWING	SCALE	SHEET	REV
-			3:1	3 of 4	D

THIS DRAWING IS UNPUBLISHED. RELEASED FOR PUBLICATION
 © COPYRIGHT - By - ALL RIGHTS RESERVED.

REVISIONS					
P	LTR	DESCRIPTION	DATE	DWN	APVD
-	-	SEE SHEET 1	-	-	-



15.989	13.410	90	20	1800	2301826-2
13.325	10.746	90	20	1800	2301826-1
GROSS WEIGHT (kg)	NET WEIGHT (kg)	PCS/TRAY	TRAYS /CARTON	QUANTITY /PCS	PART NUMBER

THIS DRAWING IS A CONTROLLED DOCUMENT.		DWN AJITH PAI 06FEB2017			
DIMENSIONS: mm		CHK DAN GORENC 06FEB2017			
TOLERANCES UNLESS OTHERWISE SPECIFIED:		APVD - 06FEB2017	NAME		
0 PLC ± -		PRODUCT SPEC	D-SUB VERTICAL		
1 PLC ± 0.25		108-130013	9P PLUG CONNECTOR		
2 PLC ± 0.15		APPLICATION SPEC	-		
3 PLC ± -		-	SIZE	CAGE CODE	DRAWING NO
4 PLC ± -		WEIGHT 0	A2	00779	C=2301826
ANGLES ± -		CUSTOMER DRAWING	SCALE 3:1	SHEET 4 of 4	REV D
FINISH		RESTRICTED TO			

X-ON Electronics

Largest Supplier of Electrical and Electronic Components

Click to view similar products for [D-Sub Standard Connectors](#) category:

Click to view products by [TE Connectivity](#) manufacturer:

Other Similar products are found below :

[56F711-015](#) [012-9507-004](#) [LV242999-142T12](#) [015-0341-000](#) [015-0372-005](#) [015-0372-008](#) [015-8755-001](#) [020419-0104](#) [012-0467-000](#) [012-0515-000](#) [012-9507-034](#) [012-9507-114](#) [020745-0008](#) [609-25P](#) [M24308/2-23Z](#) [CT2-14S-2PCA34](#) [CT2-18-11PCAU](#) [CT6-10SL-3SC](#) [CT6-10SL-4SC](#) [CT6-14S-2SC](#) [CT6E14SA7SC](#) [M83513/01-FC](#) [M83723/76W24619 L/C](#) [M85049/48-3-2F](#) [6STD09PCM99B70X](#) [6STD09SCM99B30X](#) [6STD09SCT99S40X](#) [6STD15PCT99S40X](#) [6STD15SCM99B30X](#) [6STD15SCT99S40X](#) [6STF09PCM05B70X](#) [7-135760-9](#) [MC11E-10-6SN](#) [747552-3](#) [MD1-21PS](#) [MDM-15SCBRM7-F222](#) [MDM96517-699](#) [MDM96521-744](#) [MDVB1-21SL1](#) [MIK0-1-7SH003](#) [MIKQ6-7SH076](#) [MIKQ7-7PH077](#) [MIKQ7-7PH11](#) [MIKQ7-7PH32](#) [MJSV-28SL61](#) [MKJ4A1F14-55S](#) [8-135760-3](#) [8STD09PCM99B30X](#) [PG-KV/PV-16-GROM-SEALING](#) [GDA15P](#)