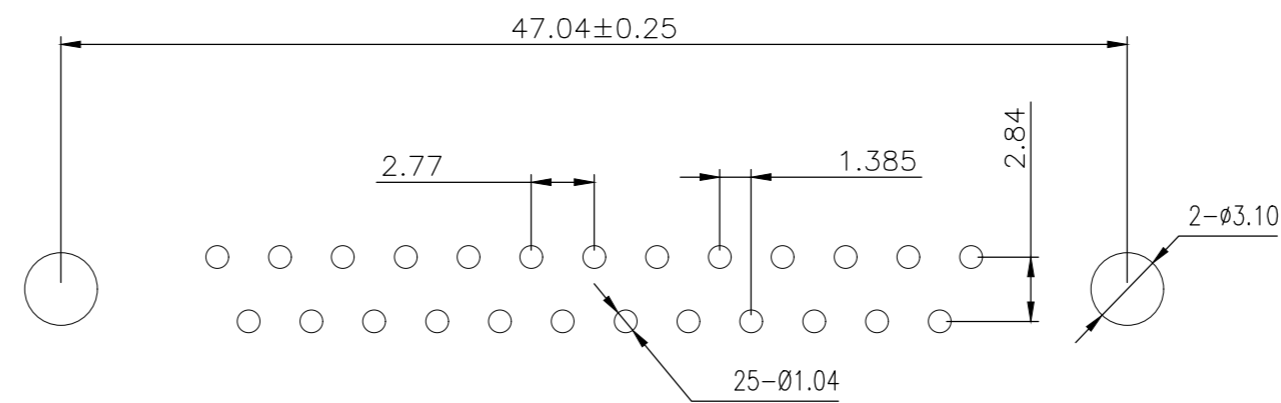
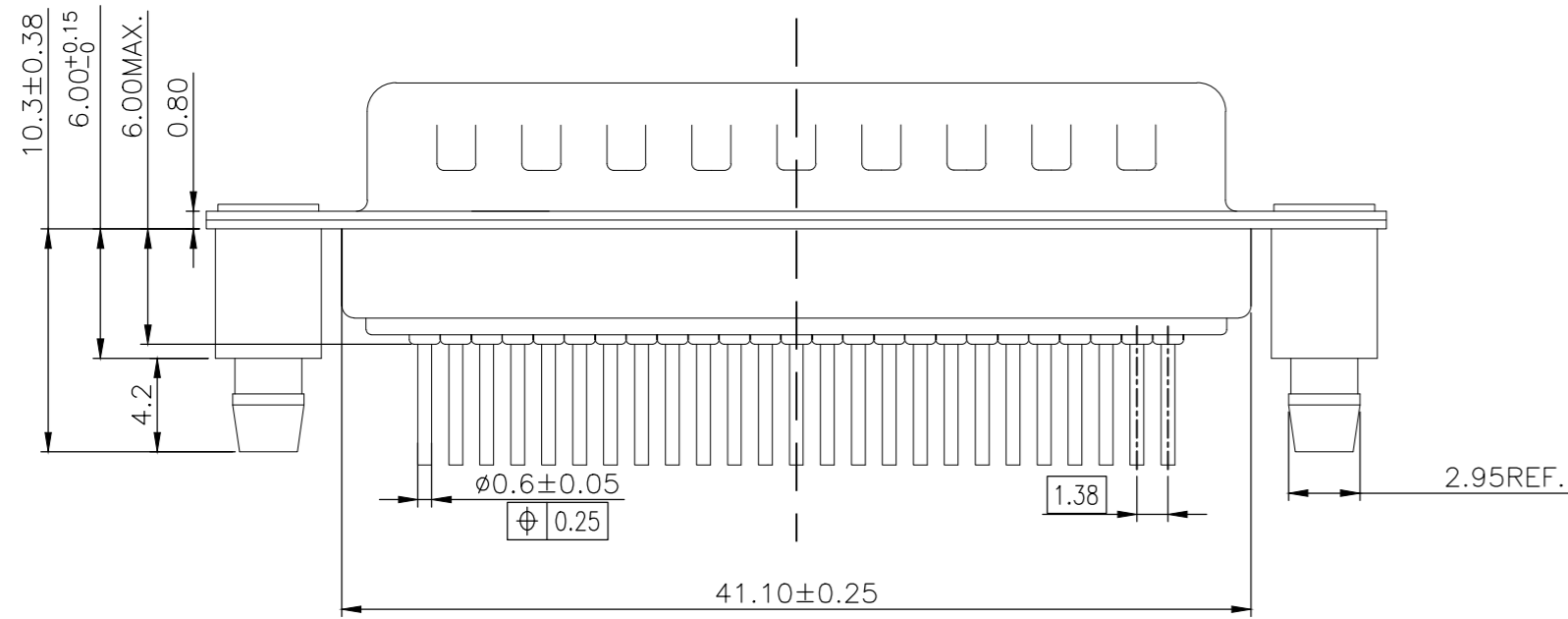
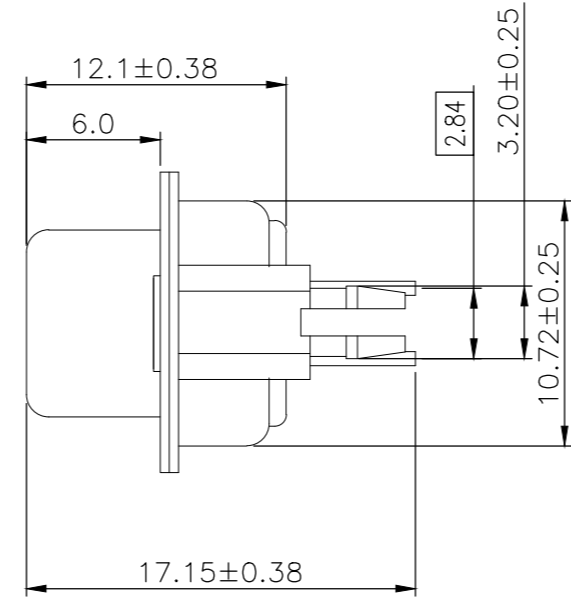
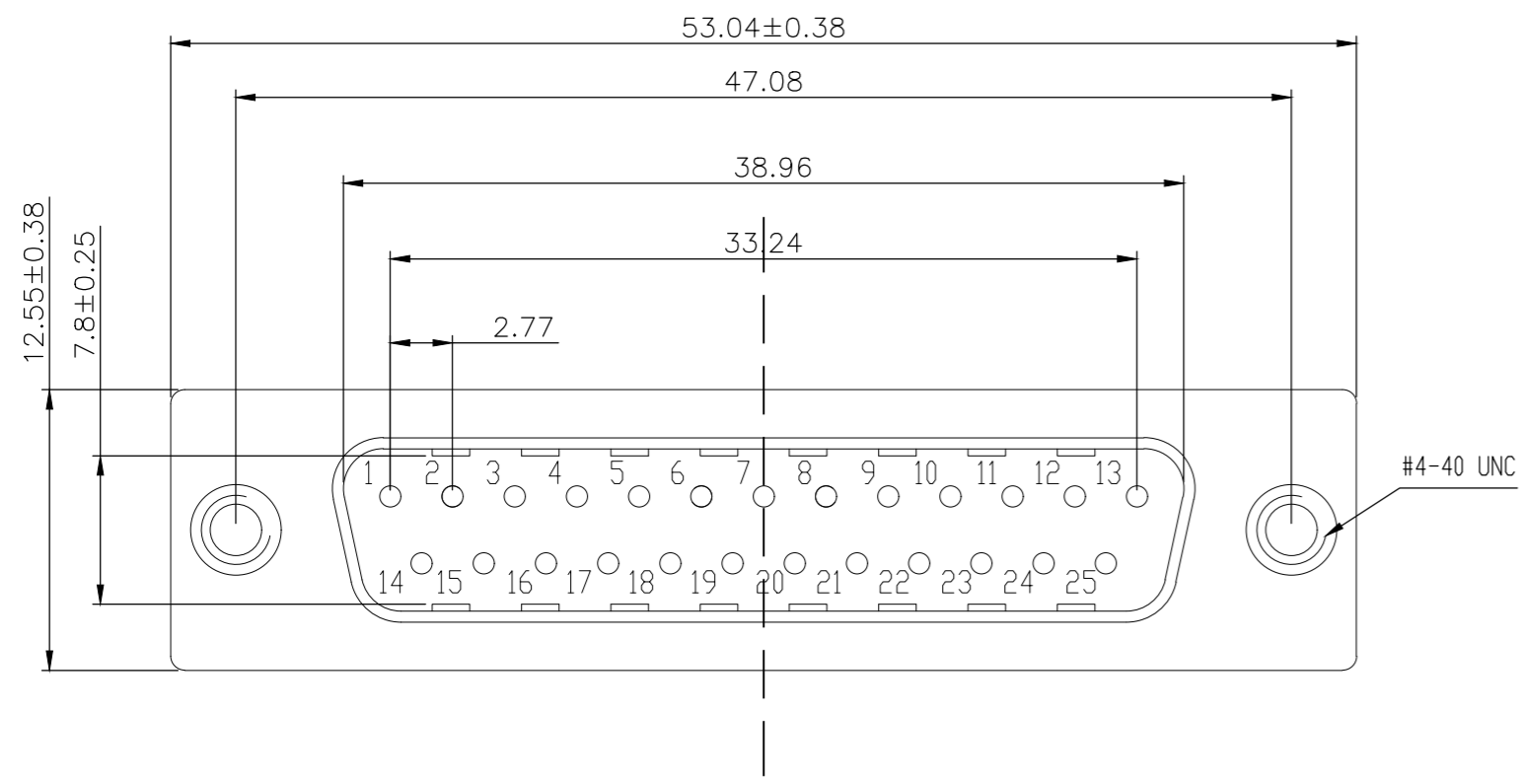


THIS DRAWING IS UNPUBLISHED. RELEASED FOR PUBLICATION
 © COPYRIGHT - By - ALL RIGHTS RESERVED.

REVISIONS				
P	LTR	DESCRIPTION	DATE	APVD
D		REVISED PER ECO-18-001882	12FEB2018	AP DG

NOTE:

- MATERIAL:**
 HOUSING: PBT WITH 20% GF UL 94 V-0, BLACK COLOR
 CONTACTS: BRASS.
 SHELL: STEEL.
 SCREW: BRASS.
 SCREW LOCK: BRASS.
 SCREW TORQUE: 5kgf-cm MAX.
- FINISH:**
 CONTACTS: GOLD PLATED ON CONTACT AREA,
 0.375µm [15µ"] MIN. MATTE TIN ON SOLDER TAIL
 2.54µm [100µ"], WITH ENTIRE CONTACT
 UNDERPLATED 1.27µm [50µ"] MIN. NICKEL.
 FRONT SHELL: 2.54µm [100µ"] MIN. NICKEL PLATED.
 REAR SHELL: 1.27µm [50µ"] MIN NICKEL UNDERPLATE.
 2.54µm [100µ"] MIN BRIGHT TIN PLATE
 SCREW LOCK: 1.27µm [50µ"] MIN. NICKEL PLATED.
 BOARDLOCK: 1.27µm [50µ"] MIN NICKEL UNDERPLATE
 1.27µm [50µ"] MIN MATTE TIN PLATE
- WAVE SOLDER CAPABLE TO 265°C PER TE TEST SPEC. 109-202, CONDITION B.**



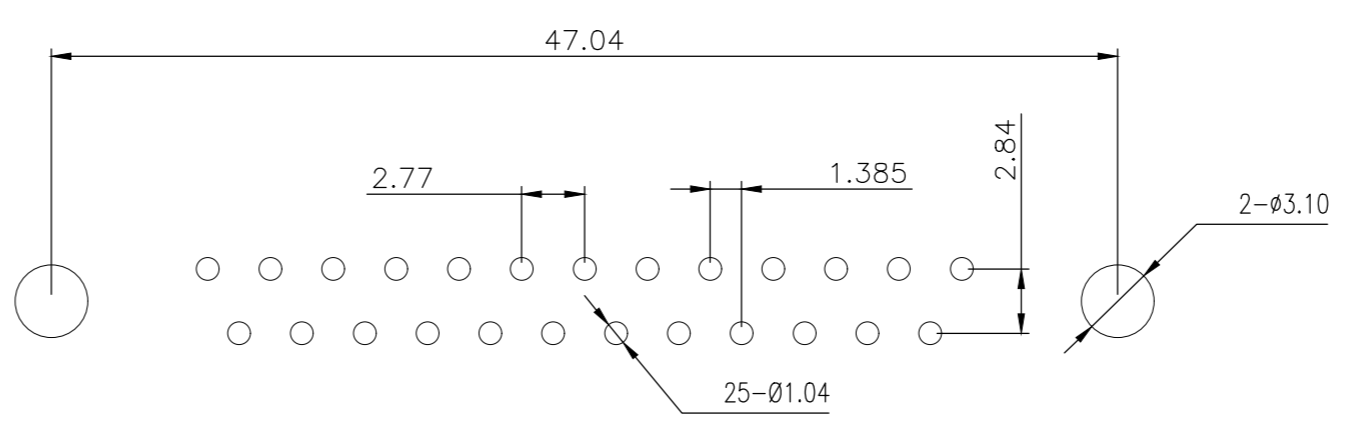
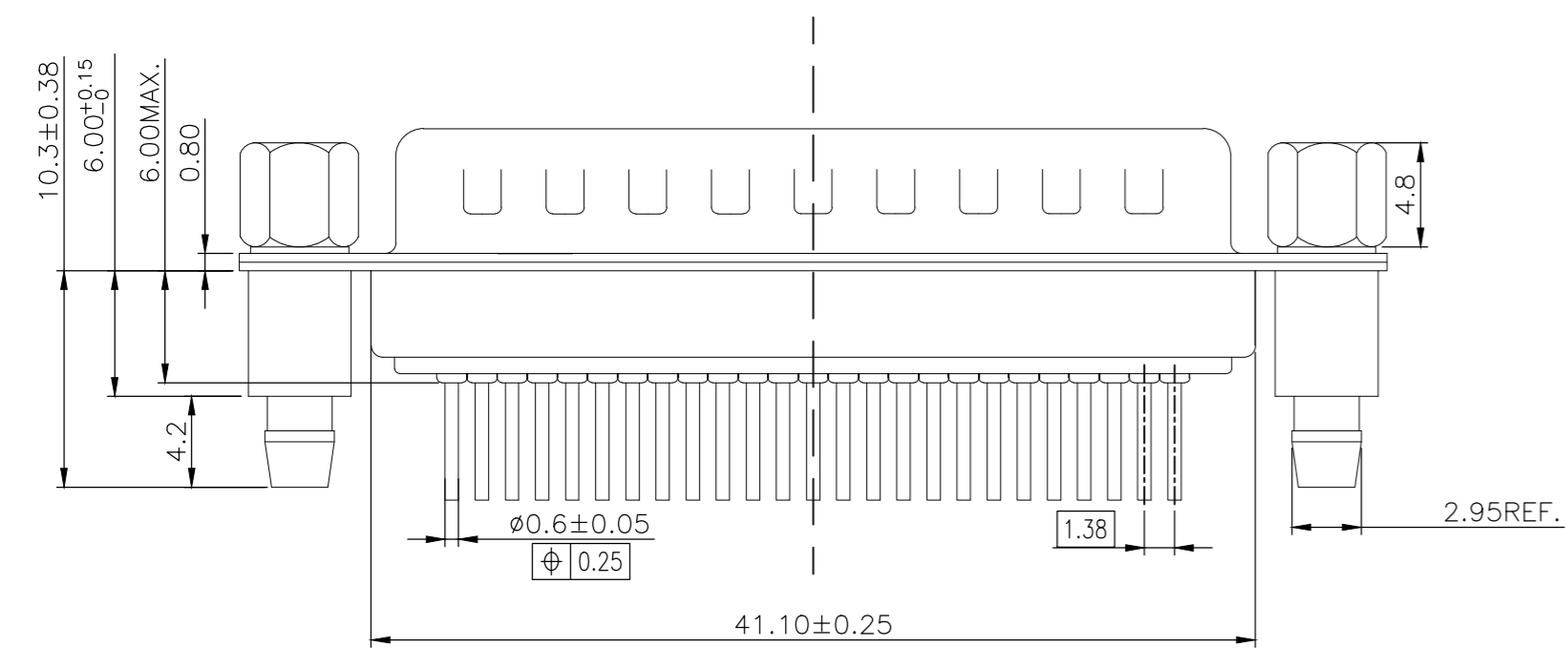
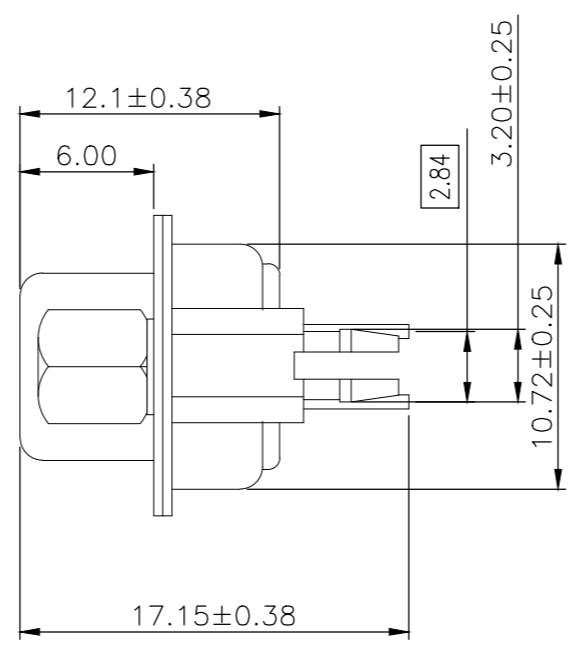
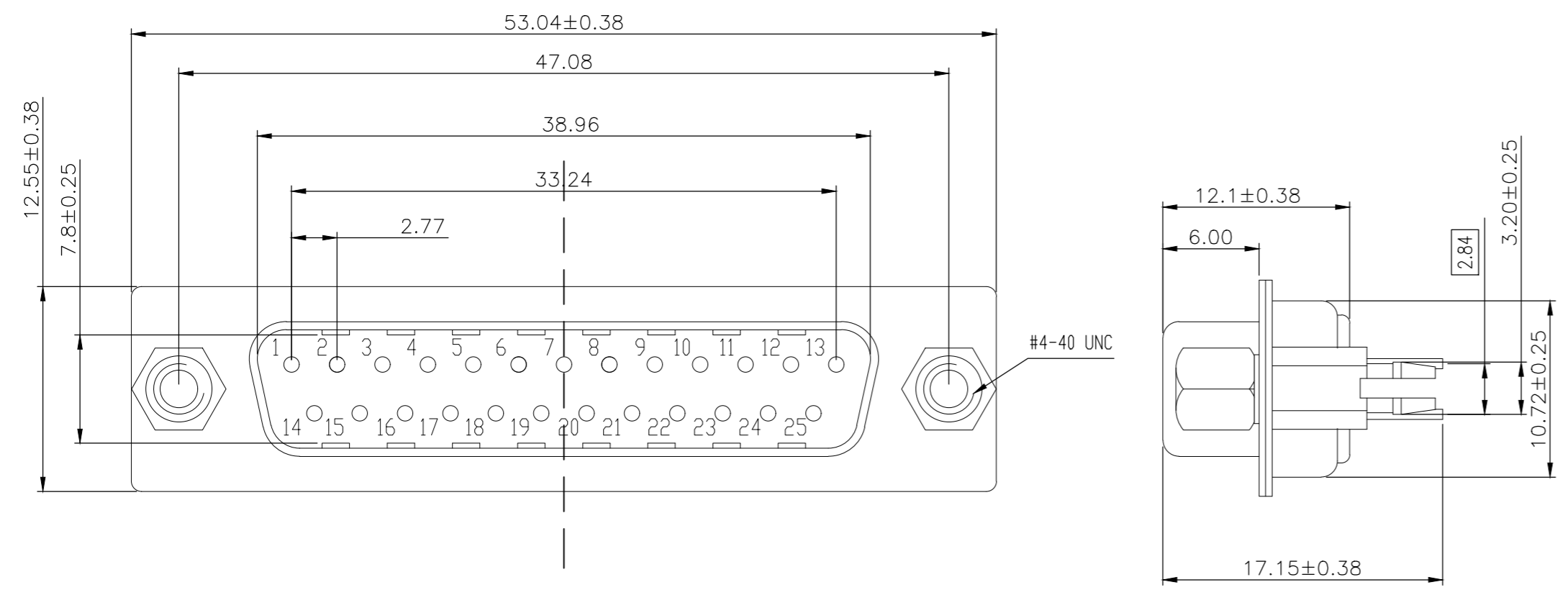
RECOMMENDED PCB LAYOUT

THIS DRAWING IS A CONTROLLED DOCUMENT.		DWN	AJITH PAI	06FEB2017
DIMENSIONS:		CHK	DAN GORENC	06FEB2017
mm	TOLERANCES UNLESS OTHERWISE SPECIFIED:	APVD		06FEB2017
	0 PLC	±	-	PRODUCT SPEC
	1 PLC	±	0.25	108-130013
	2 PLC	±	0.15	APPLICATION SPEC
	3 PLC	±	-	
	4 PLC	±	-	
MATERIAL	FINISH	WEIGHT	0	
		CUSTOMER DRAWING		

25w D plg W B/L & 4-40 inserts 15u" gold		2301835-1	
DESCRIPTION		TE PART NO	
TE TE Connectivity			
D-SUB VERTICAL 25P PLUG CONNECTOR			
SIZE	CAGE CODE	DRAWING NO	RESTRICTED TO
A2	00779	C=2301835	-
SCALE 3:1		SHEET 1 of 4	REV D

2301835

REVISIONS					
P	LTR	DESCRIPTION	DATE	DWN	APVD
-	-	SEE SHEET 1	-	-	-



THIS DRAWING IS A CONTROLLED DOCUMENT.		DWN	AJITH PAI	06FEB2017
DIMENSIONS:		CHK	-	06FEB2017
mm	TOLERANCES UNLESS OTHERWISE SPECIFIED:	APVD	-	06FEB2017
	0 PLC	±	-	PRODUCT SPEC
	1 PLC	±	0.25	108-130013
	2 PLC	±	0.15	APPLICATION SPEC
	3 PLC	±	-	-
MATERIAL	FINISH	WEIGHT	0	CUSTOMER DRAWING
-	-	SCALE	3:1	SHEET 2 of 4

25w D plg W B/L & 4-40 s/lock 15u" gold		2301835-2	
DESCRIPTION		TE PART NO	
TE TE Connectivity			
D-SUB VERTICAL 25P PLUG CONNECTOR			
SIZE	CAGE CODE	DRAWING NO	RESTRICTED TO
A2	00779	C=2301835	-
SCALE		SHEET	REV
3:1		2 of 4	D

2301835

4

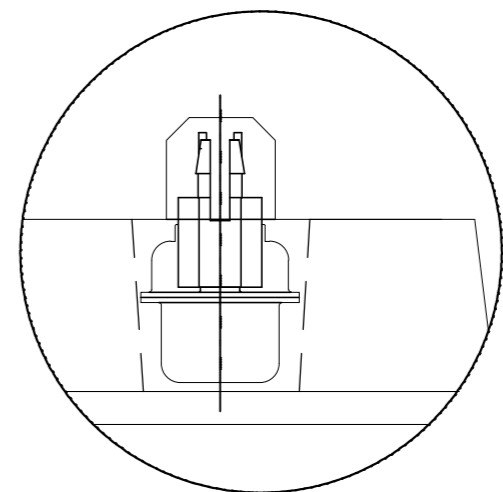
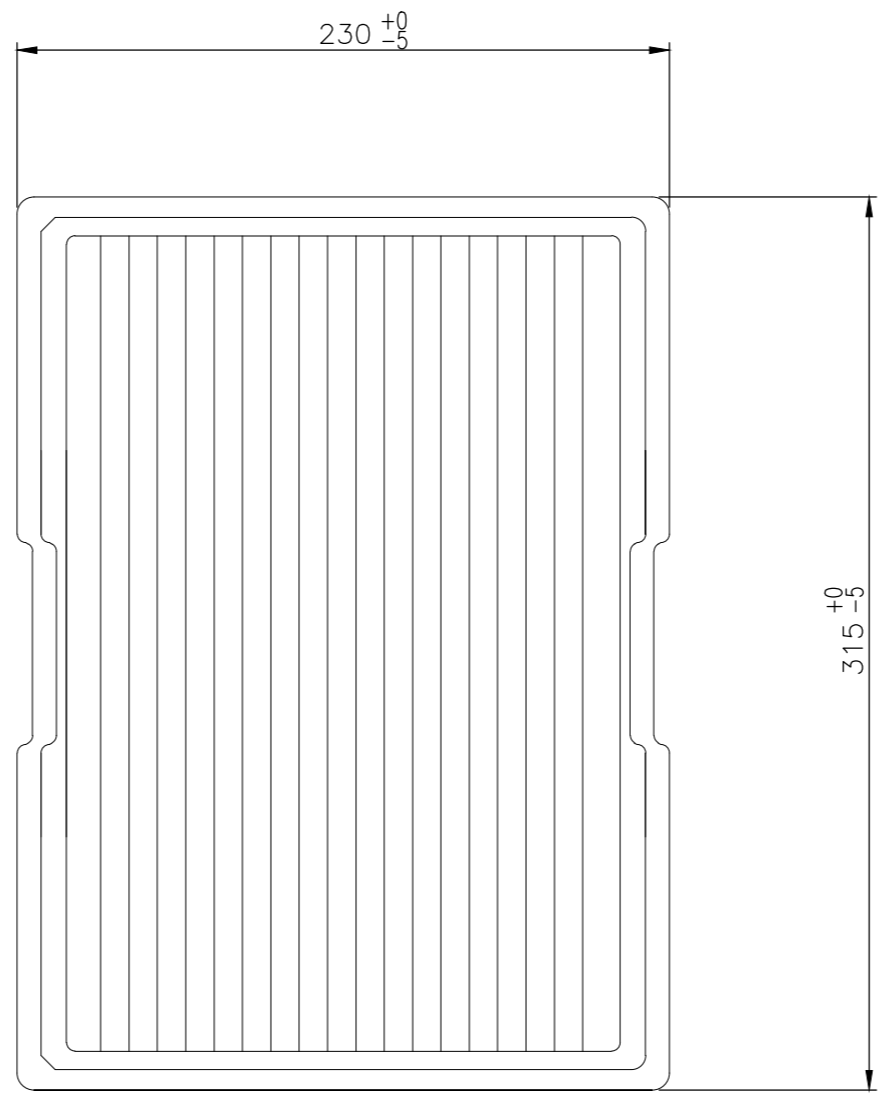
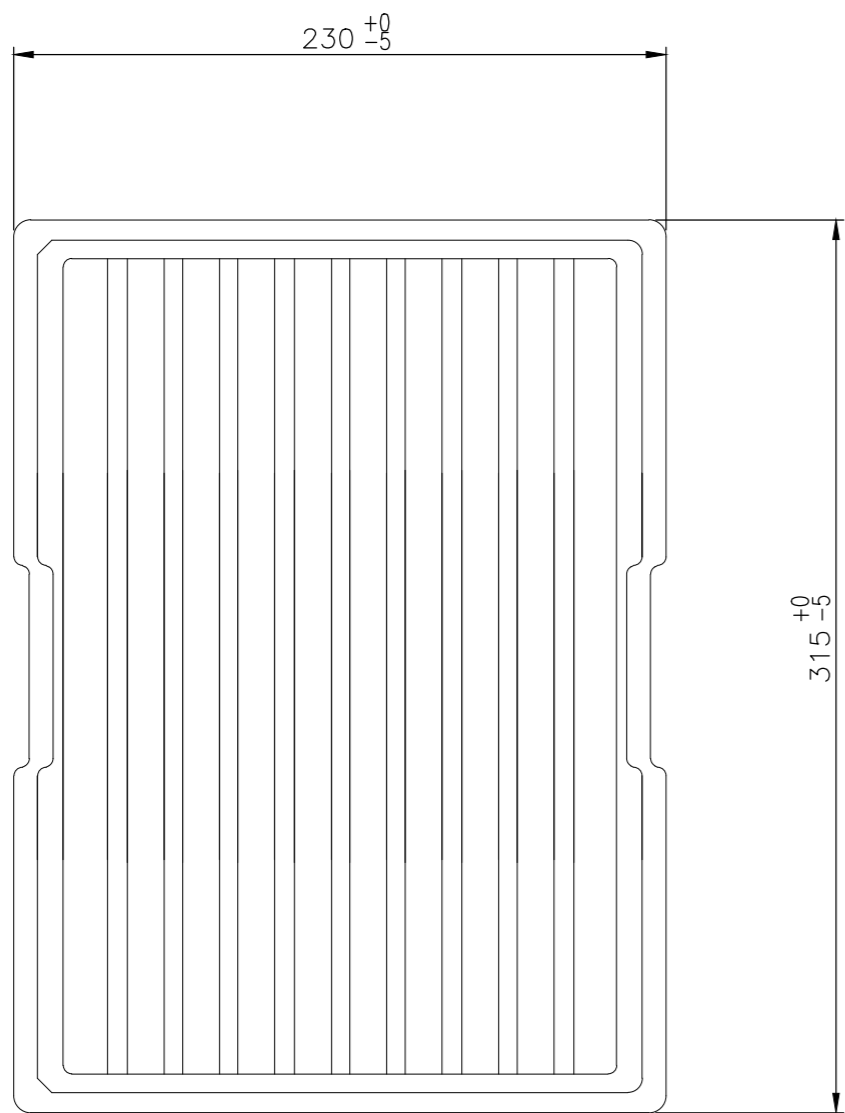
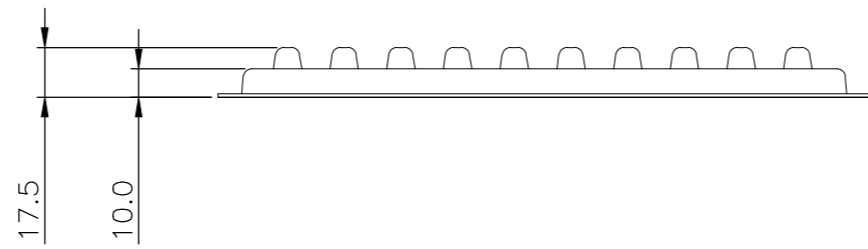
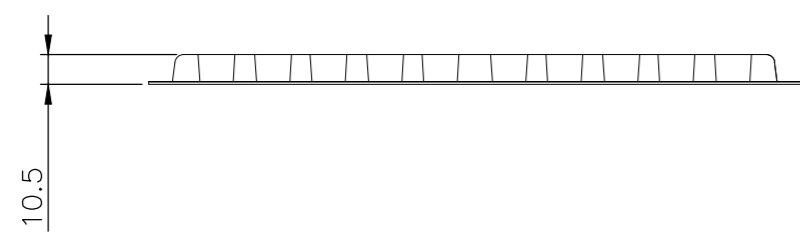
3

2

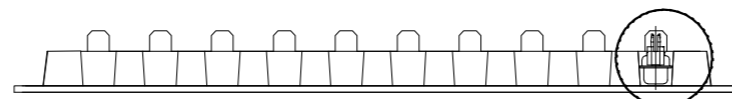
1

THIS DRAWING IS UNPUBLISHED. RELEASED FOR PUBLICATION
 © COPYRIGHT - By - ALL RIGHTS RESERVED.

REVISIONS				
P	LTR	DESCRIPTION	DATE	APVD
-	-	SEE SHEET 1	-	-



DETAIL A

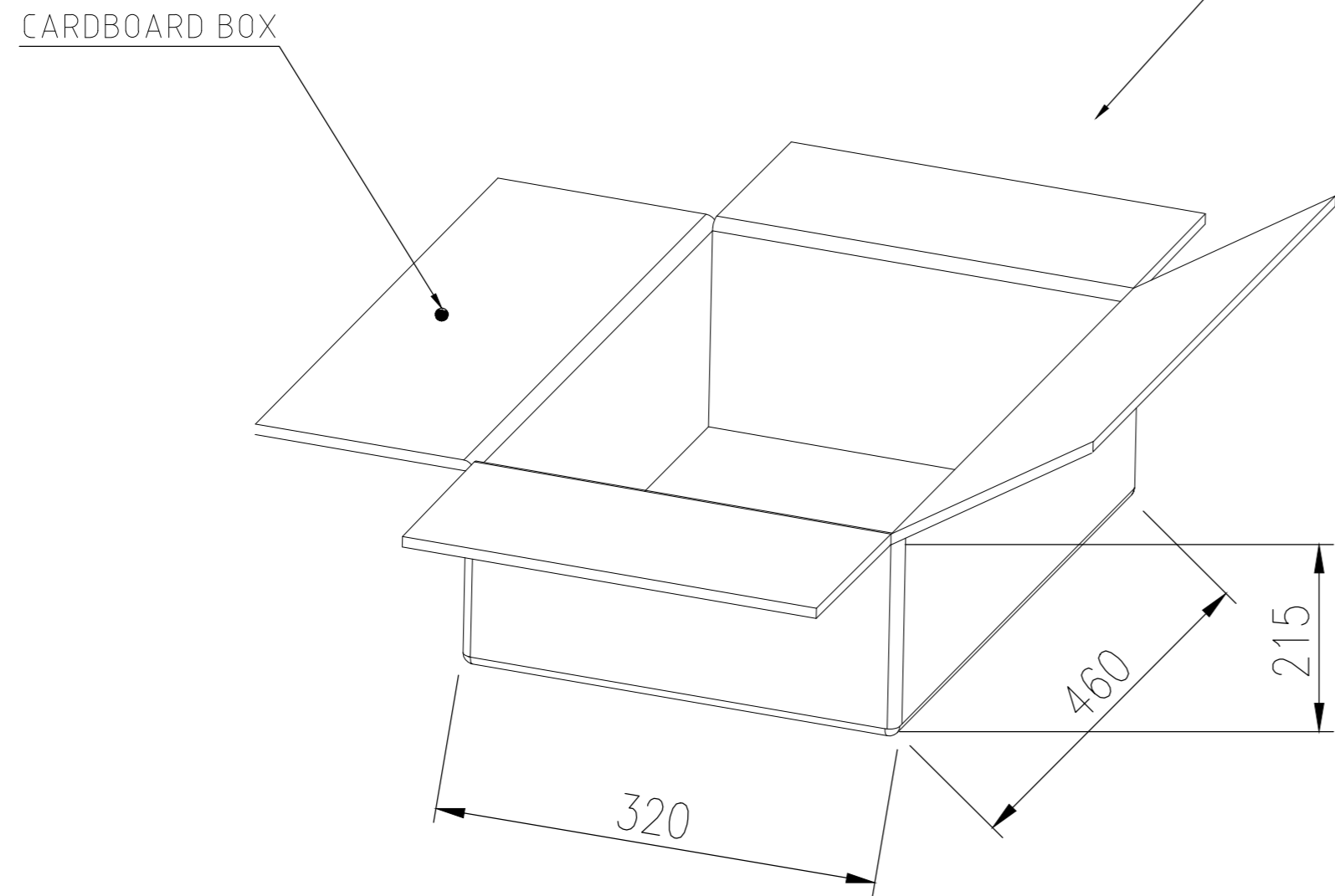
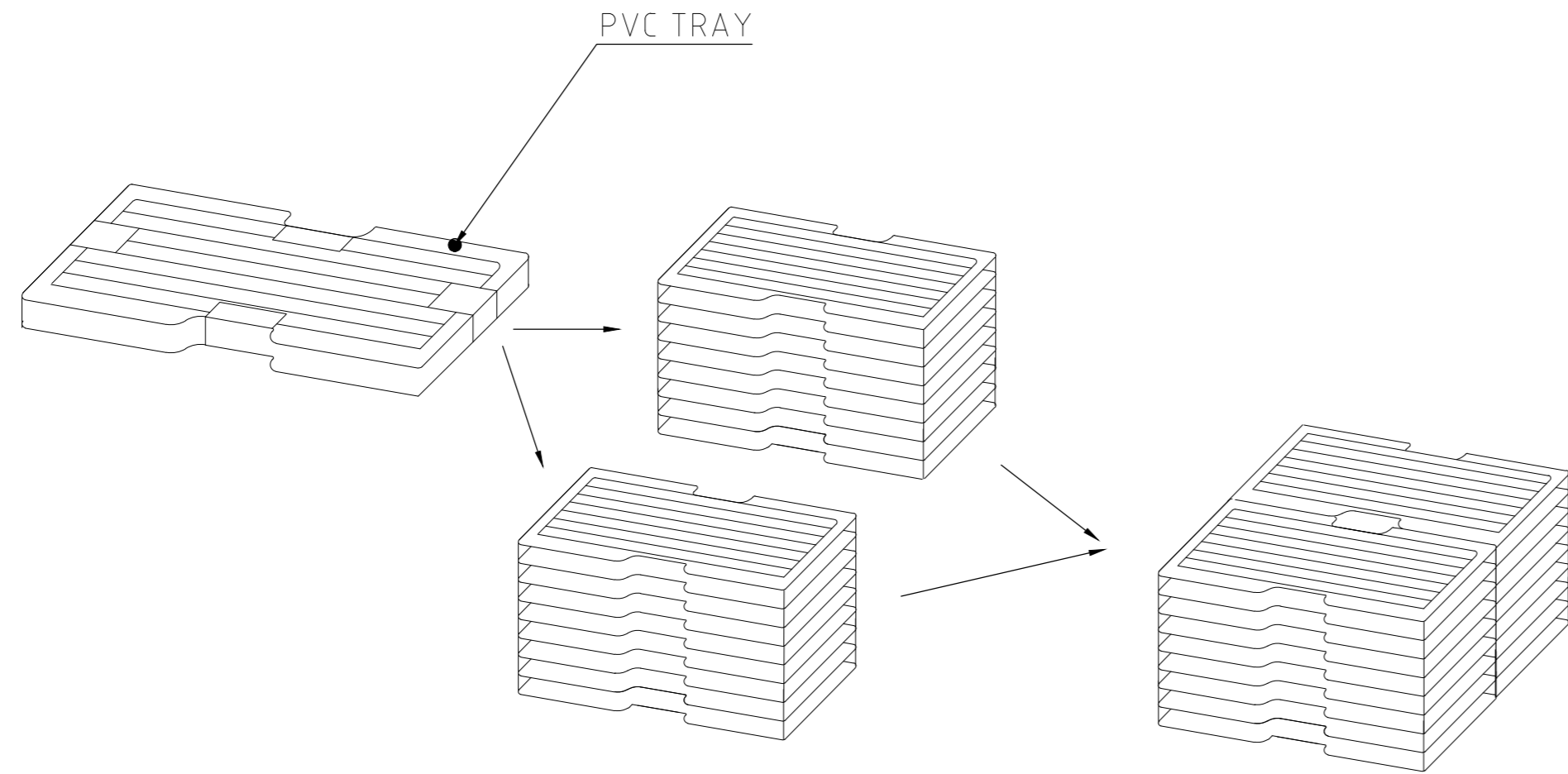


SEE DETAIL A

THIS DRAWING IS A CONTROLLED DOCUMENT.		DWN AJITH PAI 06FEB2017		
		CHK DAN GORENC 06FEB2017		
		APVD - 06FEB2017	NAME	
DIMENSIONS: mm		PRODUCT SPEC 108-130013	D-SUB VERTICAL 25P PLUG CONNECTOR	
TOLERANCES UNLESS OTHERWISE SPECIFIED:		APPLICATION SPEC	SIZE A2	CAGE CODE 00779
0 PLC ± -		WEIGHT 0	DRAWING NO C=2301835	RESTRICTED TO -
1 PLC ± 0.25				
2 PLC ± 0.15				
3 PLC ± -				
4 PLC ± -				
ANGLES ± -				
MATERIAL -		CUSTOMER DRAWING		SCALE 1:1
FINISH -		SHEET 3 of 4		REV D

THIS DRAWING IS UNPUBLISHED. RELEASED FOR PUBLICATION
 © COPYRIGHT - By - ALL RIGHTS RESERVED.

REVISIONS					
P	LTR	DESCRIPTION	DATE	DWN	APVD
-	-	SEE SHEET 1	-	-	-



GROSS WEIGHT (kg)	NET WEIGHT (kg)	PCS/TRAY	TRAYS / CARTON	QUANTITY Pcs	PART NUMBER
14.279	11.700	50	20	1000	2301835-2
12.779	10.200	50	20	1000	2301835-1

THIS DRAWING IS A CONTROLLED DOCUMENT.		DWN AJITH PAI 06FEB2017	 TE Connectivity D-SUB VERTICAL 25P PLUG CONNECTOR				
DIMENSIONS: mm		CHK DAN GORENC 06FEB2017				NAME	
TOLERANCES UNLESS OTHERWISE SPECIFIED:		APVD - 06FEB2017				PRODUCT SPEC 108-130013	
0 PLC ± - 1 PLC ± 0.25 2 PLC ± 0.15 3 PLC ± - 4 PLC ± - ANGLES ± -		APPLICATION SPEC -					
MATERIAL -		FINISH -	WEIGHT 0	SIZE A2	CAGE CODE 00779		
CUSTOMER DRAWING			DRAWING NO C=2301835	RESTRICTED TO -			
			SCALE 1:1	SHEET 4 of 4	REV D		

2301835

X-ON Electronics

Largest Supplier of Electrical and Electronic Components

Click to view similar products for [D-Sub High Density Connectors](#) category:

Click to view products by [TE Connectivity](#) manufacturer:

Other Similar products are found below :

[09560008385](#) [09561004701](#) [09561004704](#) [09561004715050](#) [09561005601](#) [09561005604](#) [09561005615050](#) [09561515500](#) [09561515512](#)
[09561515513](#) [09561517500](#) [09561517513](#) [09561525612](#) [09561525613](#) [09561527612](#) [09561527613](#) [09561615700](#) [09561615712](#)
[09561617700](#) [09561617712](#) [09561617713](#) [09561625812](#) [09561625813](#) [09561627812](#) [09561627813](#) [09562004701](#) [09562004701510](#)
[09562004704](#) [09562004715050](#) [09562005601](#) [09562005601510](#) [09562005604](#) [09562005615050](#) [09562515500](#) [09562515513](#) [09562517500](#)
[09562517512](#) [09562517513](#) [09562525612](#) [09562525613](#) [09562527612](#) [09562527613](#) [09562615712](#) [09562615713](#) [09562617700](#)
[09562617712](#) [09562617713](#) [09562625812](#) [09562625813](#) [09562627812](#)