

4

3

2

1

THIS DRAWING IS UNPUBLISHED. RELEASED FOR PUBLICATION
 © COPYRIGHT - By - ALL RIGHTS RESERVED.

REVISIONS				
P	LTR	DESCRIPTION	DATE	APVD
D		REVISED PER ECO-18-001882	12FEB2018	AP DG

NOTE:

1. MATERIAL:

HOUSING: PBT WITH 20% GF UL 94 V-0, BLACK COLOR
 CONTACTS: BRASS.
 SHELL: STEEL.
 SCREW: BRASS.
 SCREW LOCK: BRASS.
 SCREW TORQUE: 5kgf-cm MAX.

2. FINISH:

CONTACTS: GOLD PLATED ON CONTACT AREA,
 $0.375\mu\text{m}$ [$15\mu''$] MIN. MATTE TIN ON SOLDER TAIL
 $2.54\mu\text{m}$ [$100\mu''$], WITH ENTIRE CONTACT
 UNDERPLATED $1.27\mu\text{m}$ [$50\mu''$] MIN. NICKEL.
 FRONT SHELL: $2.54\mu\text{m}$ [$100\mu''$] MIN. NICKEL PLATED.
 REAR SHELL: $1.27\mu\text{m}$ [$50\mu''$] MIN NICKEL UNDERPLATE.
 $2.54\mu\text{m}$ [$100\mu''$] MIN BRIGHT TIN PLATE
 SCREW LOCK: $1.27\mu\text{m}$ [$50\mu''$] MIN. NICKEL PLATED.
 BOARDLOCK: $1.27\mu\text{m}$ [$50\mu''$] MIN NICKEL UNDERPLATE
 $1.27\mu\text{m}$ [$50\mu''$] MIN MATTE TIN PLATE

3. WAVE SOLDER CAPABLE TO 265°C PER TE TEST SPEC.
109-202, CONDITION B.

Top view of the connector housing. Dimensions include overall width 53.04 ± 0.38 , inner width 47.08 , and contact spacing 38.96 . Contact positions are numbered 1 through 25. Two #4-40 UNC screws are shown on the sides. Vertical dimensions include 12.55 ± 0.38 and 7.8 ± 0.25 . A 2.77 spacing is also indicated.

Side view of the connector housing. Dimensions include a top width of 12.1 ± 0.38 , a base width of 17.15 ± 0.38 , and a height of 10.72 ± 0.25 . Other dimensions shown are 6.0 , 2.84 , and 3.20 ± 0.25 .

Bottom view of the connector housing. Dimensions include a total length of 41.10 ± 0.25 and a height of 10.3 ± 0.38 . Contact details include a diameter of $\phi 0.6 \pm 0.05$ and a spacing of 1.38 . A 2.95 REF. dimension is also shown. Other dimensions include 6.00 ± 0.15 , 6.00 MAX., 0.80 , and 4.2 .

Recommended PCB layout diagram. Dimensions include a total length of 47.04 ± 0.25 and a contact spacing of 2.77 . Contact positions are numbered 1 through 25. A 1.385 spacing is also indicated. A 2.84 dimension is shown for the contact height. Two $2-\phi 3.10$ holes are shown on the sides. A $25-\phi 1.04$ dimension is also shown.

RECOMMENDED PCB LAYOUT

THIS DRAWING IS A CONTROLLED DOCUMENT.

DIMENSIONS:	TOLERANCES UNLESS OTHERWISE SPECIFIED:
mm	0 PLC \pm -
	1 PLC \pm 0.25
	2 PLC \pm 0.15
	3 PLC \pm -
	4 PLC \pm -
	ANGLES \pm 2°
MATERIAL	FINISH
-	-

DWN	06FEB2017
CHK	06FEB2017
APVD	06FEB2017
PRODUCT SPEC	108-130013
APPLICATION SPEC	-
WEIGHT	0
CUSTOMER DRAWING	-

25w D plg W B/L & 4-40 inserts 15u" gold		2301835-1
DESCRIPTION		TE PART NO
TE TE Connectivity		
D-SUB VERTICAL 25P PLUG CONNECTOR		
SIZE	CAGE CODE	DRAWING NO
A2	00779	C=2301835
SCALE	SHEET	REV
3:1	1 of 4	D

1471-9 (1/15)

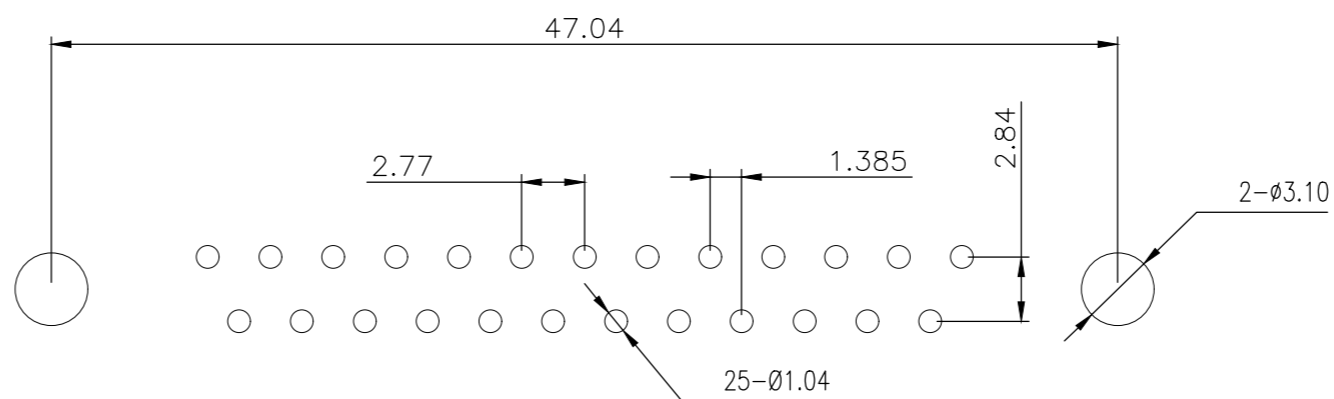
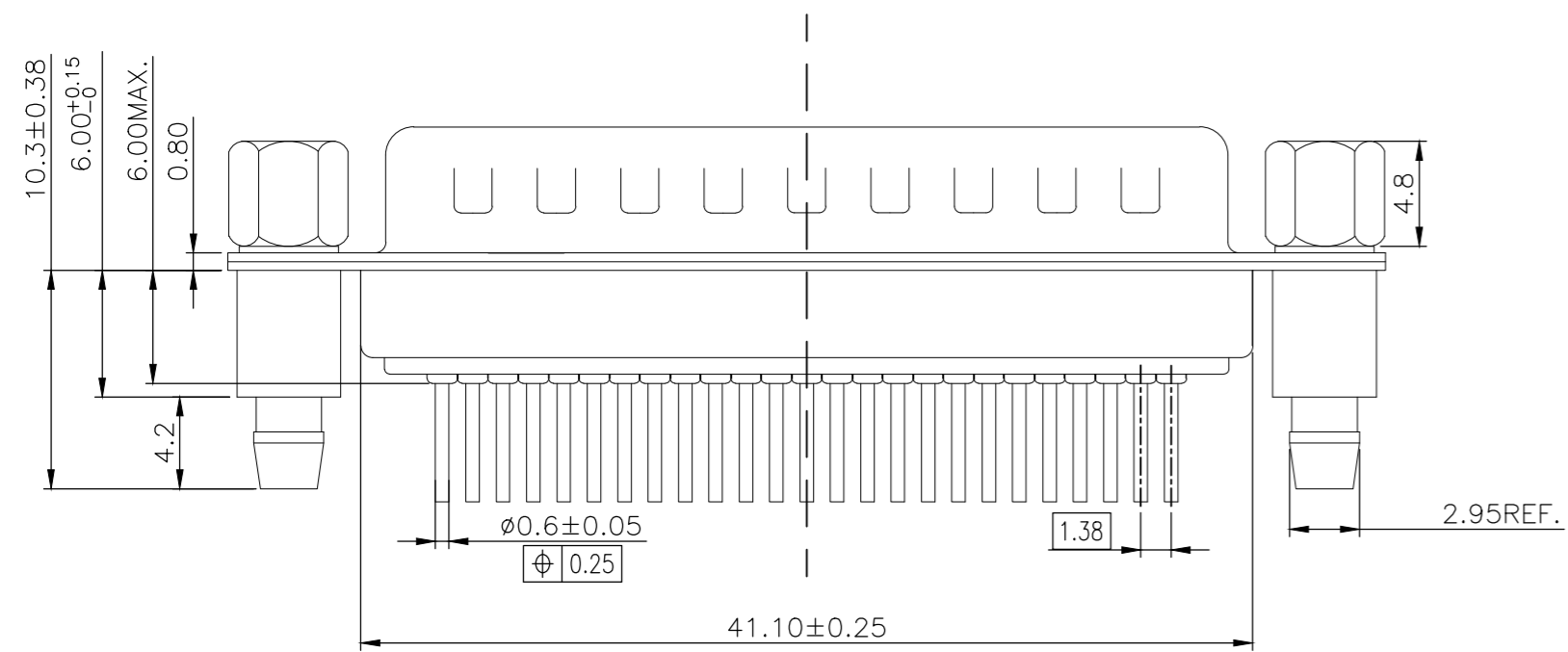
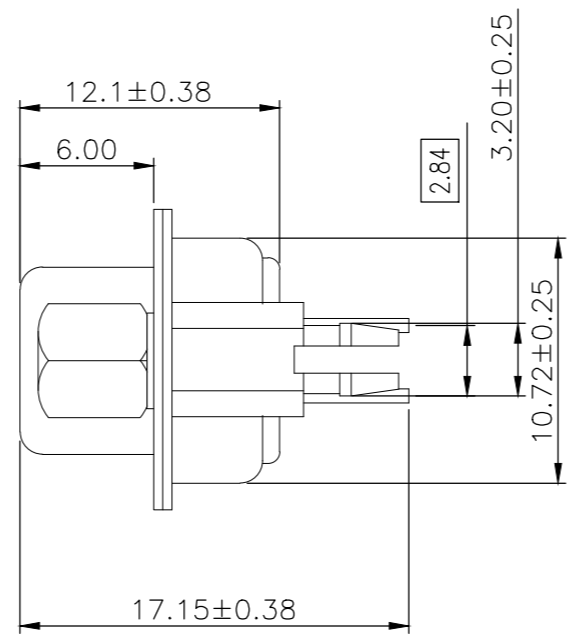
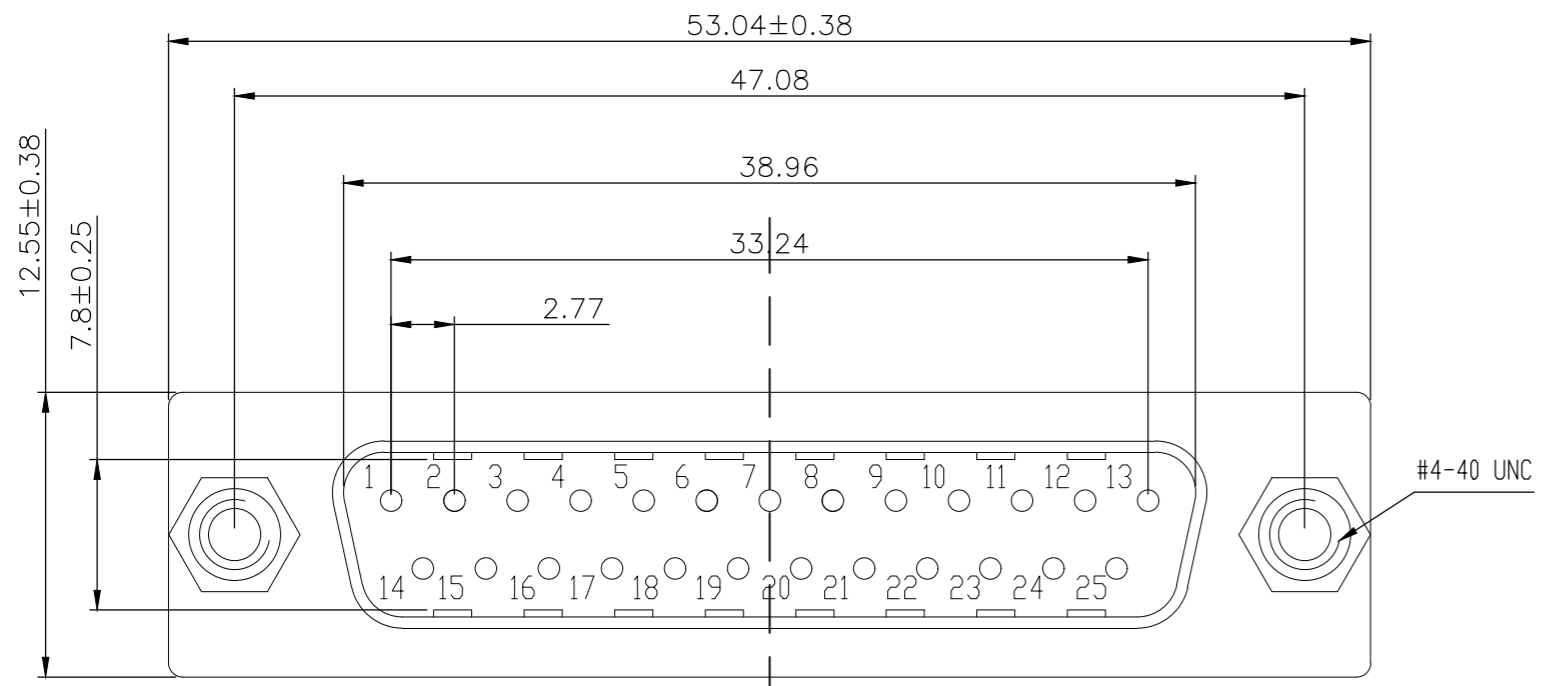
2301835

B

A

THIS DRAWING IS UNPUBLISHED. RELEASED FOR PUBLICATION
 © COPYRIGHT - By - ALL RIGHTS RESERVED.

REVISIONS				
P	LTR	DESCRIPTION	DATE	APVD
-	-	SEE SHEET 1	-	-



RECOMMENDED PCB LAYOUT

THIS DRAWING IS A CONTROLLED DOCUMENT.		DWN	AJITH PAI	06FEB2017
DIMENSIONS:		CHK	-	06FEB2017
mm	TOLERANCES UNLESS OTHERWISE SPECIFIED:	APVD	-	06FEB2017
	0 PLC	±	-	PRODUCT SPEC
	1 PLC	±	0.25	108-130013
	2 PLC	±	0.15	APPLICATION SPEC
	3 PLC	±	-	-
MATERIAL	FINISH	WEIGHT	0	CUSTOMER DRAWING
		SCALE	3:1	SHEET 2 of 4

25w D plg W B/L & 4-40 s/lock 15u" gold		2301835-2	
DESCRIPTION		TE PART NO	
TE TE Connectivity			
D-SUB VERTICAL 25P PLUG CONNECTOR			
SIZE	CAGE CODE	DRAWING NO	RESTRICTED TO
A2	00779	C=2301835	-
SCALE		SHEET	REV
3:1		2 of 4	D

4

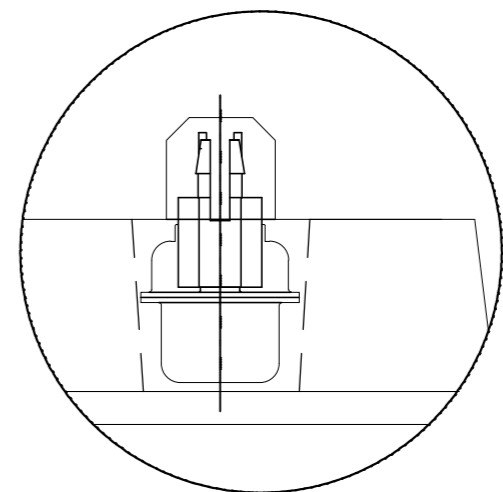
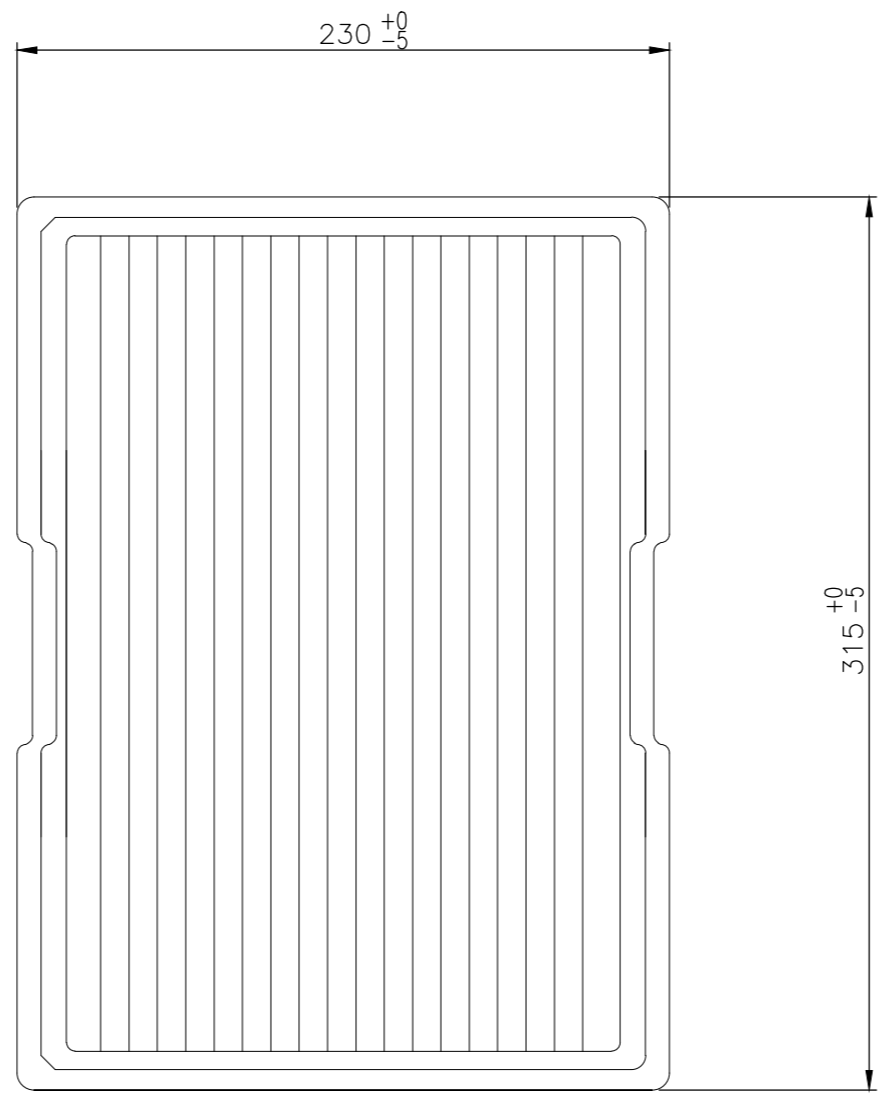
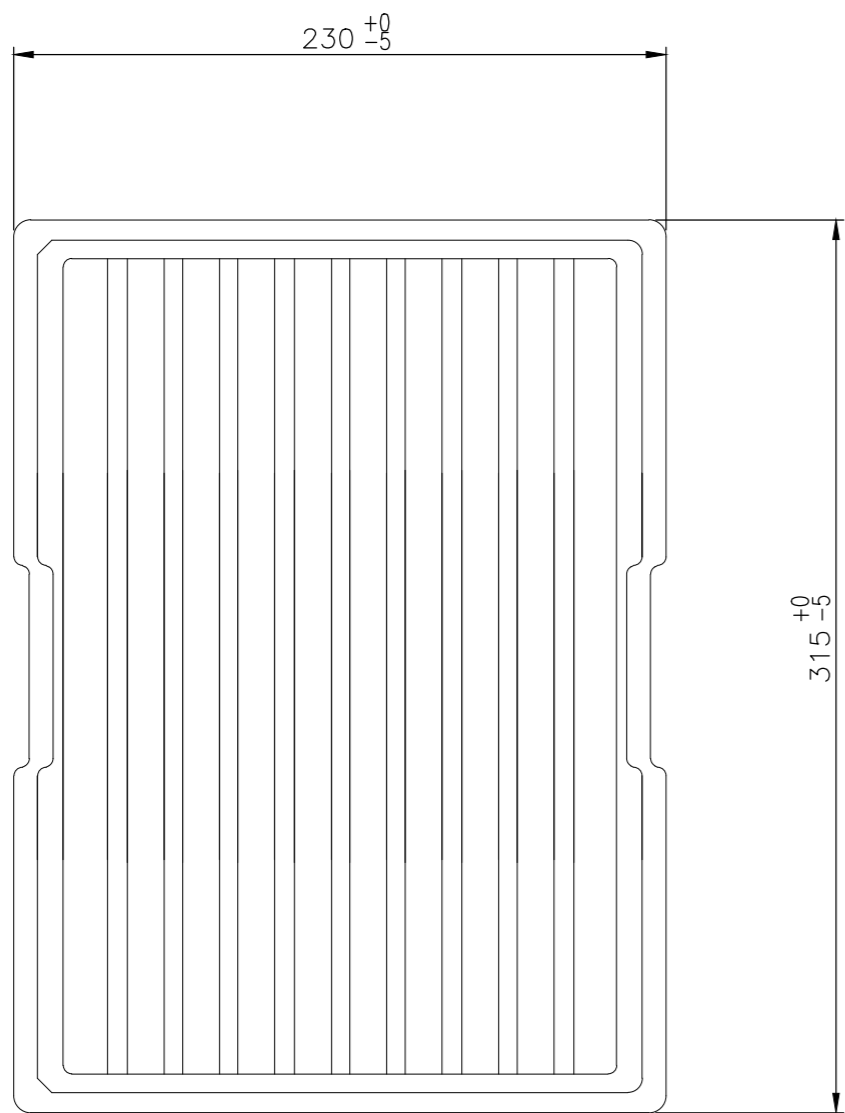
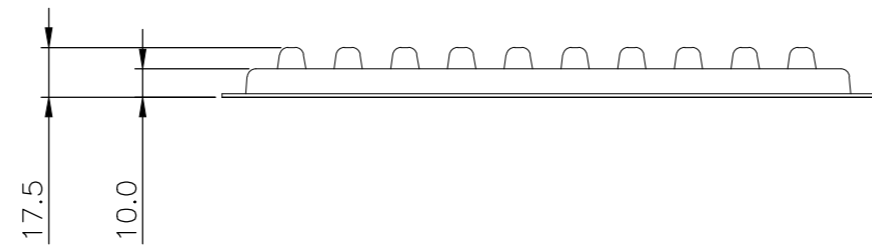
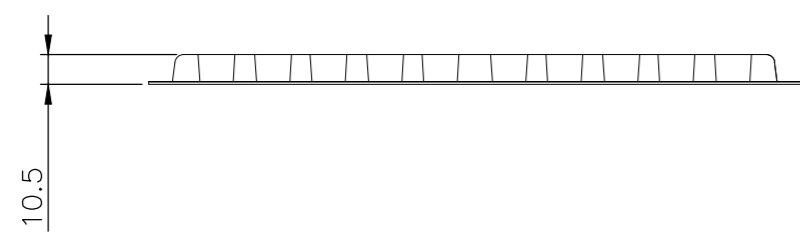
3

2

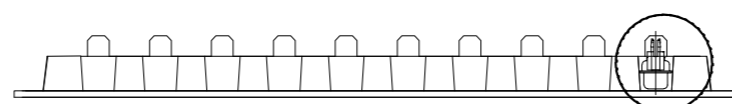
1

THIS DRAWING IS UNPUBLISHED. RELEASED FOR PUBLICATION
 © COPYRIGHT - By - ALL RIGHTS RESERVED.

REVISIONS				
P	LTR	DESCRIPTION	DATE	APVD
-	-	SEE SHEET 1	-	-



DETAIL A

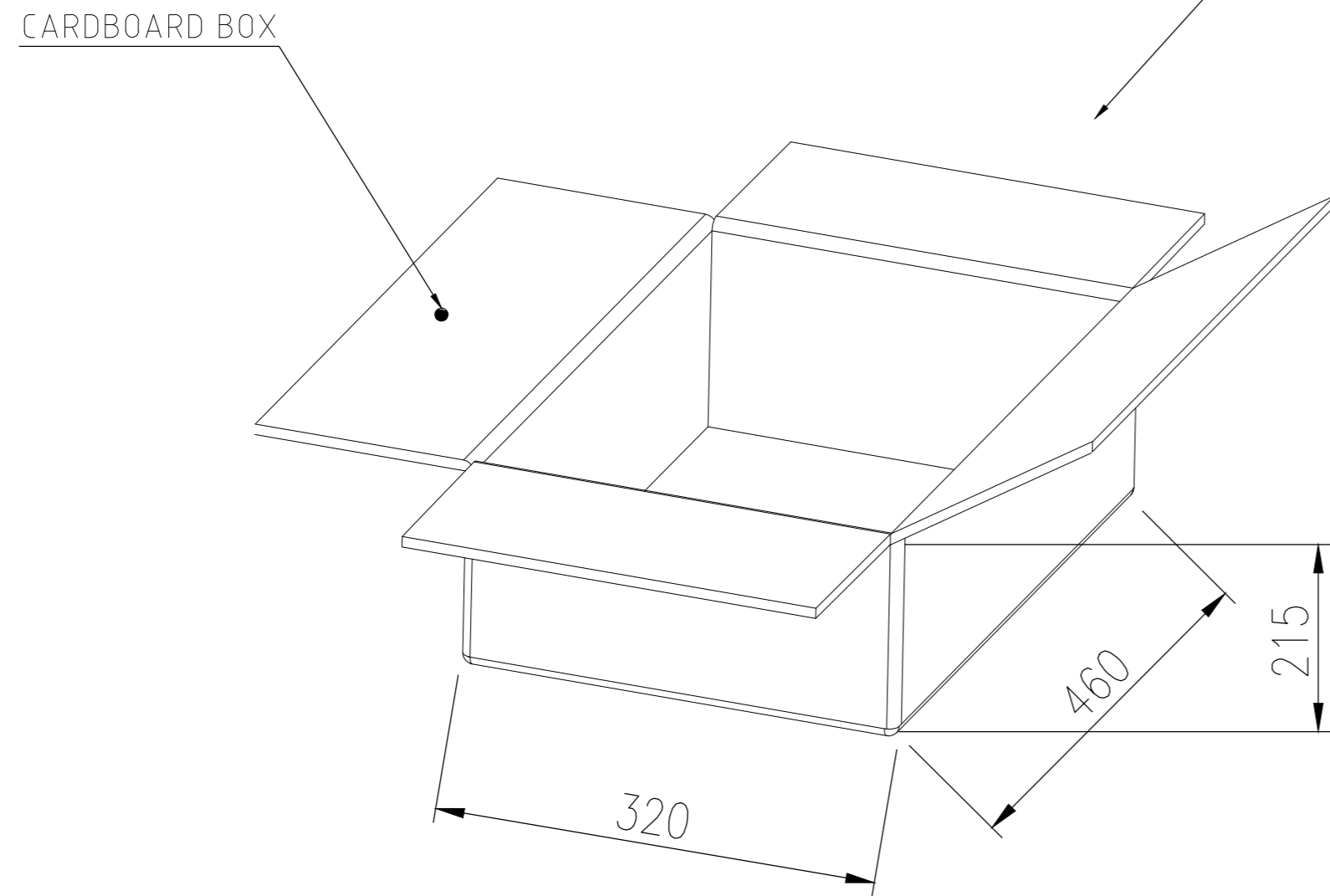
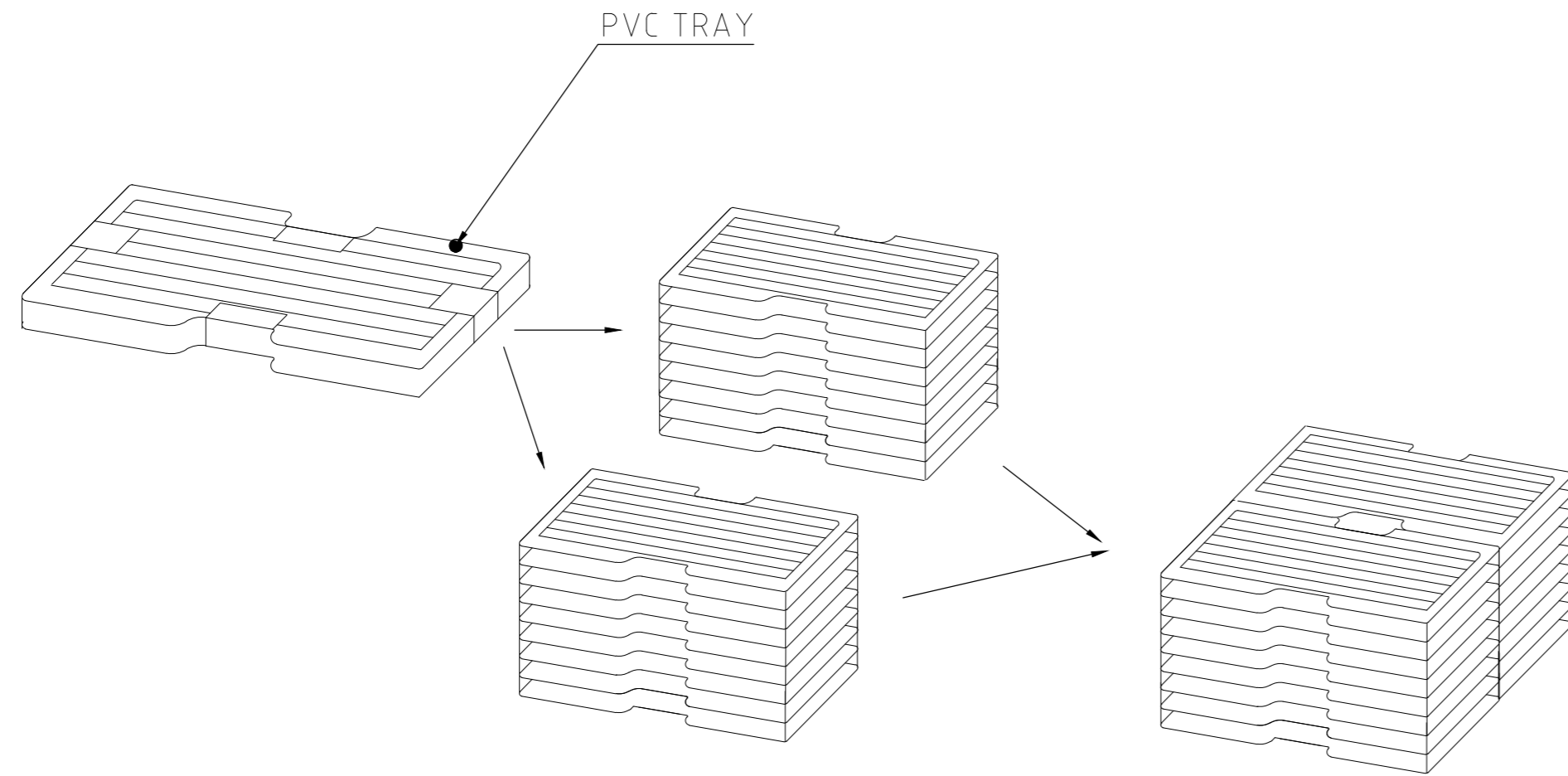


SEE DETAIL A

THIS DRAWING IS A CONTROLLED DOCUMENT.		DWN AJITH PAI 06FEB2017		
		CHK DAN GORENC 06FEB2017		
		APVD - 06FEB2017	NAME	
DIMENSIONS: mm		PRODUCT SPEC 108-130013	D-SUB VERTICAL 25P PLUG CONNECTOR	
TOLERANCES UNLESS OTHERWISE SPECIFIED:		APPLICATION SPEC	SIZE A2	CAGE CODE 00779
0 PLC ± -		WEIGHT 0	DRAWING NO C=2301835	RESTRICTED TO -
1 PLC ± 0.25				
2 PLC ± 0.15				
3 PLC ± -				
4 PLC ± -				
ANGLES ± -				
MATERIAL -		CUSTOMER DRAWING		SCALE 1:1
FINISH -		SHEET 3 of 4		REV D

THIS DRAWING IS UNPUBLISHED. RELEASED FOR PUBLICATION
 © COPYRIGHT - By - ALL RIGHTS RESERVED.

REVISIONS					
P	LTR	DESCRIPTION	DATE	DWN	APVD
-	-	SEE SHEET 1	-	-	-



GROSS WEIGHT (kg)	NET WEIGHT (kg)	PCS/TRAY	TRAYS / CARTON	QUANTITY Pcs	PART NUMBER
14.279	11.700	50	20	1000	2301835-2
12.779	10.200	50	20	1000	2301835-1

THIS DRAWING IS A CONTROLLED DOCUMENT.		DWN 06FEB2017 AJITH PAI			
DIMENSIONS: mm		CHK 06FEB2017 DAN GORENC			
TOLERANCES UNLESS OTHERWISE SPECIFIED:		APVD 06FEB2017 -	NAME		
0 PLC ± -		PRODUCT SPEC	D-SUB VERTICAL		
1 PLC ± 0.25		108-130013	25P PLUG CONNECTOR		
2 PLC ± 0.15		APPLICATION SPEC	-		
3 PLC ± -		WEIGHT 0	SIZE A2	CAGE CODE 00779	DRAWING NO C=2301835
4 PLC ± -		FINISH -	RESTRICTED TO		-
ANGLES ± -		CUSTOMER DRAWING	SCALE 1:1	SHEET 4 of 4	REV D

2301835

X-ON Electronics

Largest Supplier of Electrical and Electronic Components

Click to view similar products for [TE Connectivity](#) manufacturer:

Other Similar products are found below :

[017667013](#) [222S163-25S-0](#) [DMC-MD 26 B](#) [MS27467T25B35PC](#) [AFD50-16-8SN-1A](#) [MS27468T11B35SA](#) [AFD56-20-41SW-1A](#)
[BACC63CM2842PNA](#) [5228686-1](#) [AFD51-16-26PN-1A](#) [6EL1SCM](#) [1599027-1](#) [KUP93-14A13-120](#) [IMC21-2007X](#) [2052-1618-02](#)
[MS27467T17B8S](#) [2041021-4](#) [1971862-2](#) [CB10LH103M](#) [MS20659-140](#) [CBT25J1M0](#) [MS20659-124](#) [0598034002](#) [MS20659-108](#) [8-917542-2](#)
[894645-000](#) [PCH-124D2MH,000](#) [5-690482-4](#) [570831-000](#) [5745438-3](#) [5745652-2](#) [CRB-48-70180](#) [5767006-7](#) [58061-1](#) [58062-1](#) [58113-5](#)
[58284-1](#) [582843-6](#) [58380-2](#) [58425-3](#) [585435-000](#) [58552-1](#) [58595-1](#) [586863-000](#) [592588-5](#) [013750-000](#) [59826-1](#) [0-1393092-2](#) [5JO-1000LG-SIL](#) [5JO-1000CD-SIL](#)