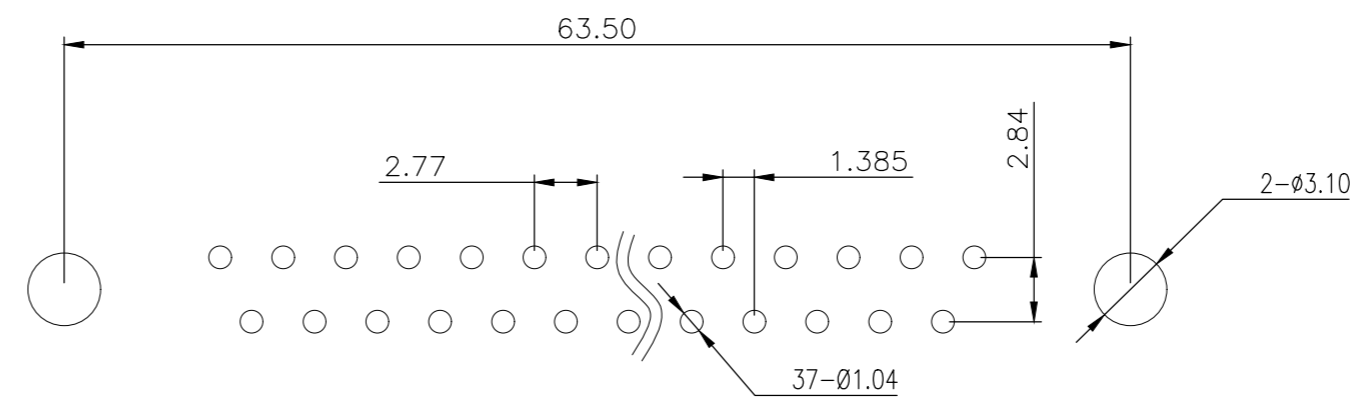
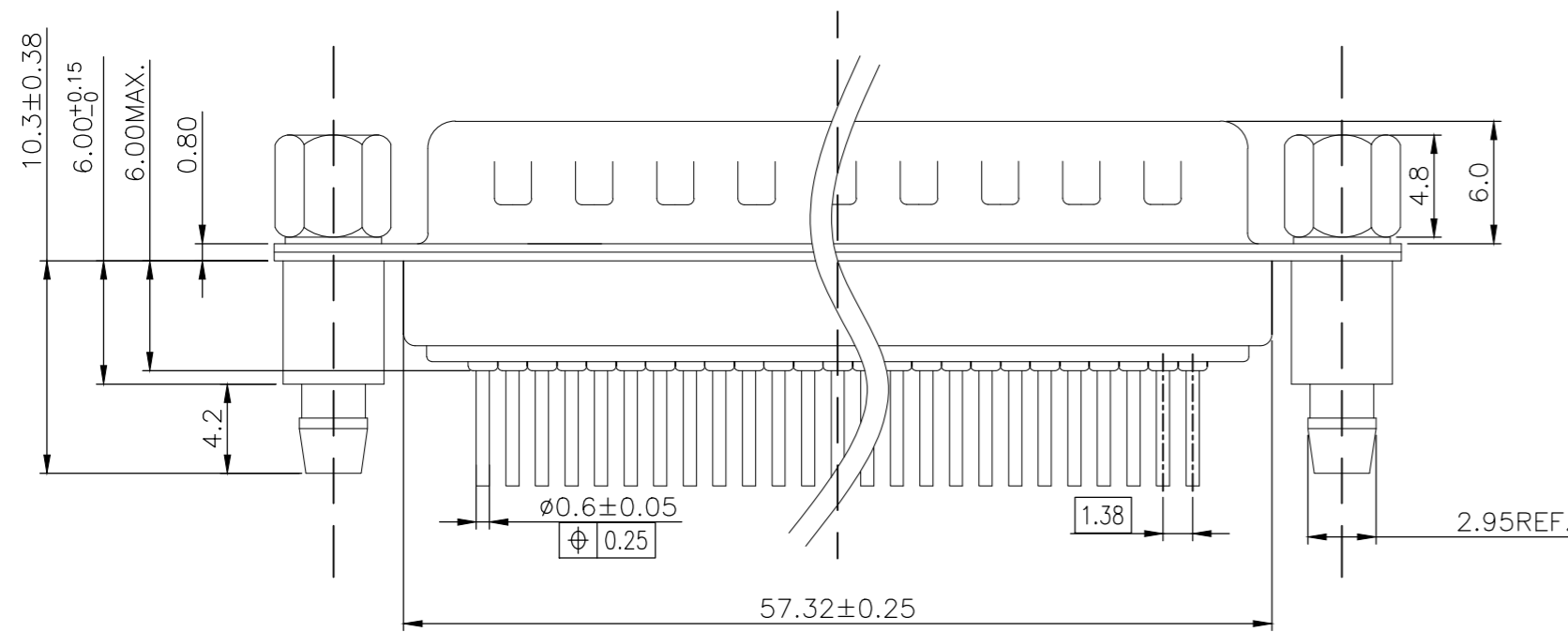
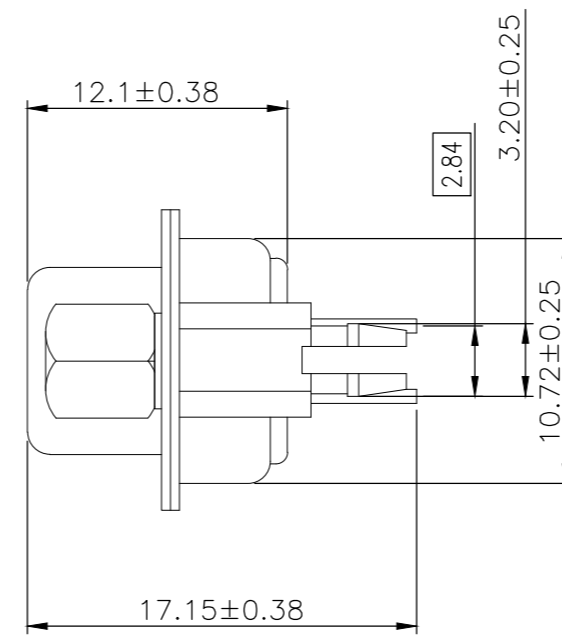
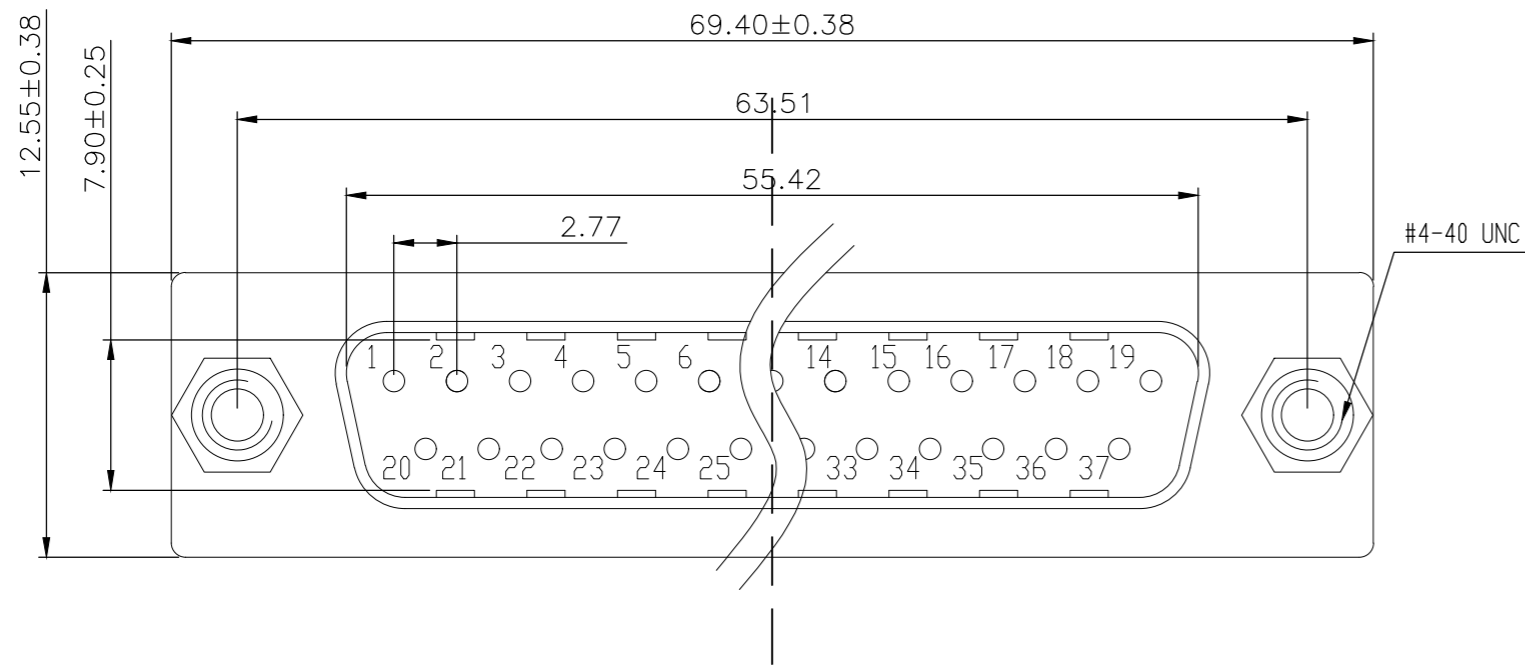


THIS DRAWING IS UNPUBLISHED. RELEASED FOR PUBLICATION
 © COPYRIGHT - By - ALL RIGHTS RESERVED.

REVISIONS				
P	LTR	DESCRIPTION	DATE	APVD
D		REVISED PER ECO-18-001882	12FEB2018	AP DG

NOTE:

- MATERIAL:
 HOUSING: PBT WITH 20% GF UL 94 V-0, BLACK COLOR
 CONTACTS: BRASS.
 SHELL: STEEL.
 SCREW: BRASS.
 SCREW LOCK: BRASS.
 SCREW TORQUE: 5kgf-cm MAX.
- FINISH:
 CONTACTS: GOLD PLATED ON CONTACT AREA,
 0.375µm [15µ"] MIN. MATTE TIN ON SOLDER TAIL
 2.54µm [100µ"], WITH ENTIRE CONTACT
 UNDERPLATED 1.27µm [50µ"] MIN. NICKEL.
 FRONT SHELL: 2.54µm [100µ"] MIN. NICKEL PLATED.
 REAR SHELL: 1.27µm [50µ"] MIN NICKEL UNDERPLATE.
 2.54µm [100µ"] MIN BRIGHT TIN PLATE
 SCREW LOCK: 1.27µm [50µ"] MIN. NICKEL PLATED.
 BOARDLOCK: 1.27µm [50µ"] MIN NICKEL UNDERPLATE
 1.27µm [50µ"] MIN MATTE TIN PLATE
- WAVE SOLDER CAPABLE TO 265°C PER TE TEST SPEC.
 109-202, CONDITION B.



RECOMMENDED PCB LAYOUT

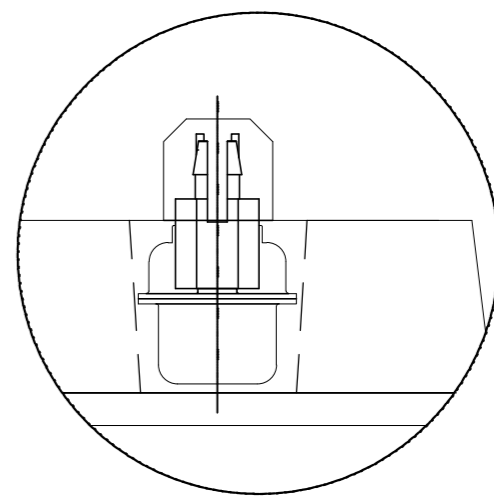
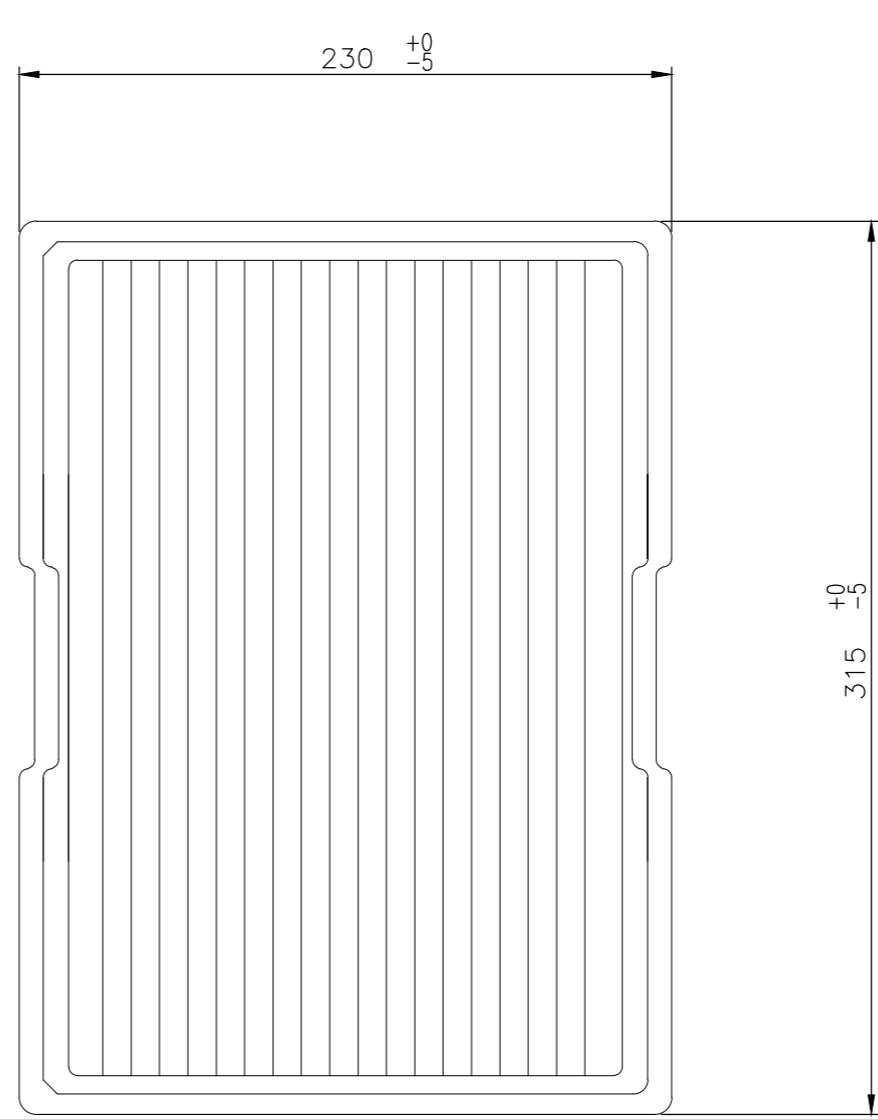
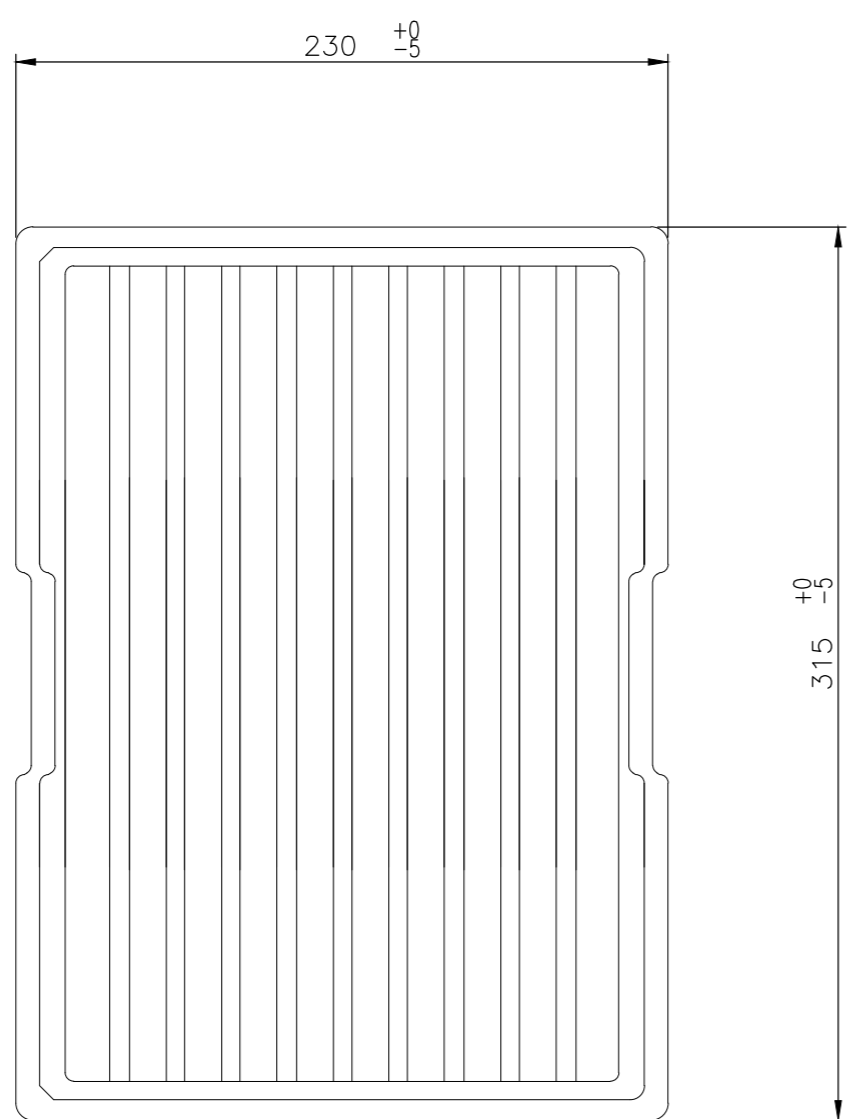
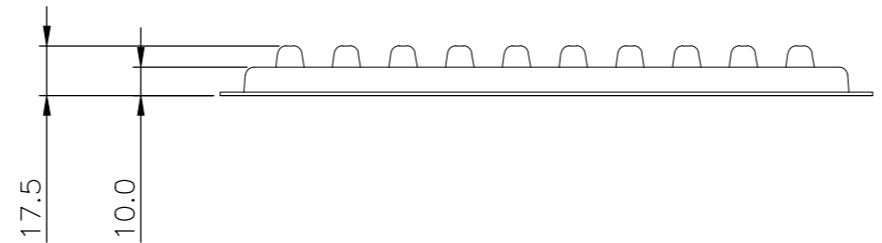
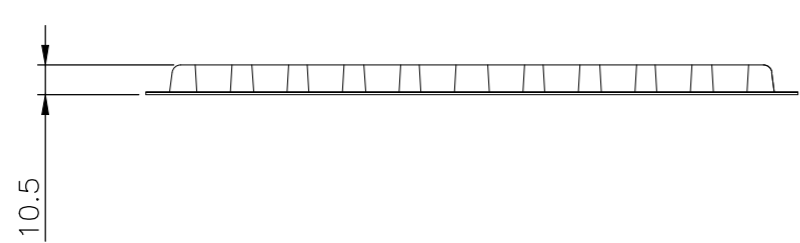
2301836

THIS DRAWING IS A CONTROLLED DOCUMENT.		DWN	AJITH PAI	06FEB2017
DIMENSIONS:		CHK	DAN GORENC	06FEB2017
mm	TOLERANCES UNLESS OTHERWISE SPECIFIED:	APVD	-	06FEB2017
	0 PLC	±	-	PRODUCT SPEC
	1 PLC	±	0.25	108-130013
	2 PLC	±	0.15	APPLICATION SPEC
	3 PLC	±	0.10	
MATERIAL	FINISH	WEIGHT	0	
		CUSTOMER DRAWING		

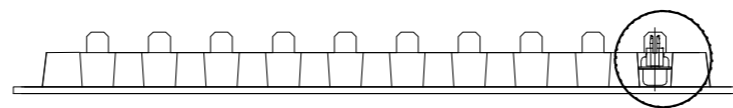
37w D plg W B/L & 4-40 s/lock 15u" gold		2301836-1	
DESCRIPTION		TE PART NO	
TE TE Connectivity			
D-SUB HD20 VERTICAL 37P PLUG CONNECTOR			
SIZE	CAGE CODE	DRAWING NO	RESTRICTED TO
A2	00779	C=2301836	-
SCALE		SHEET	REV
3:1		1 of 3	D

THIS DRAWING IS UNPUBLISHED. RELEASED FOR PUBLICATION
 © COPYRIGHT - By - ALL RIGHTS RESERVED.

REVISIONS					
P	LTR	DESCRIPTION	DATE	DWN	APVD
-	-	SEE SHEET 1	-	-	-



DETAIL A

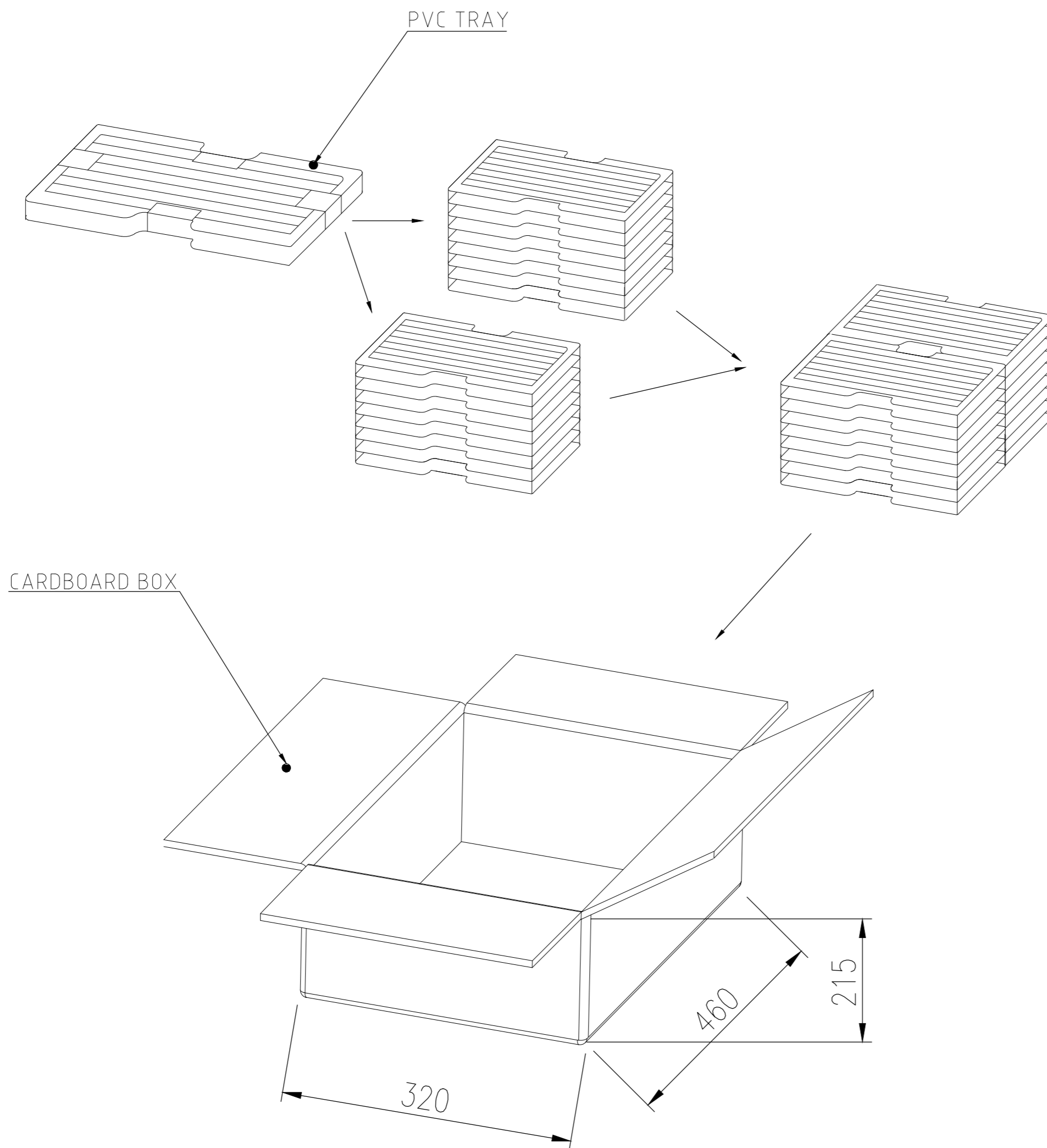


SEE DETAIL A

THIS DRAWING IS A CONTROLLED DOCUMENT.		DWN AJITH PAI 06FEB2017			
		CHK DAN GORENC 06FEB2017			
		APVD - 06FEB2017	NAME		
DIMENSIONS: mm		PRODUCT SPEC 108-130013	D-SUB VERTICAL 37P PLUG CONNECTOR		
TOLERANCES UNLESS OTHERWISE SPECIFIED:		APPLICATION SPEC	SIZE A2	CAGE CODE 00779	DRAWING NO C=2301836
0 PLC ± -		WEIGHT 0	RESTRICTED TO		-
1 PLC ± 0.25		CUSTOMER DRAWING			
2 PLC ± 0.15		SCALE 1:1	SHEET 2 of 3	REV D	
3 PLC ± 0.10					
4 PLC ± -					
ANGLES ± 2°					
MATERIAL -					
FINISH -					

THIS DRAWING IS UNPUBLISHED. RELEASED FOR PUBLICATION
 © COPYRIGHT - By - ALL RIGHTS RESERVED.

REVISIONS					
P	LTR	DESCRIPTION	DATE	DWN	APVD
-	-	SEE SHEET 1	-	-	-



14.979	12.400	40	20	800	2301836-1
GROSS WEIGHT (kg)	NET WEIGHT (kg)	PCS/TRAY	TRAYS /CARTON	QUANTITY Pcs	PART NUMBER

THIS DRAWING IS A CONTROLLED DOCUMENT.		DWN 06FEB2017 AJITH PAI	 TE Connectivity D-SUB VERTICAL 37P PLUG CONNECTOR			
DIMENSIONS: mm		CHK 06FEB2017 DAN GORENC				NAME
TOLERANCES UNLESS OTHERWISE SPECIFIED:		APVD 06FEB2017 -				PRODUCT SPEC 108-130013
0 PLC ± - 1 PLC ± 0.25 2 PLC ± 0.15 3 PLC ± 0.10 4 PLC ± - ANGLES ± 2°		APPLICATION SPEC -				SIZE A2
MATERIAL -	FINISH -	WEIGHT 0	CAGE CODE 00779	DRAWING NO C=2301836	RESTRICTED TO -	
CUSTOMER DRAWING			SCALE 1:1	SHEET 3 of 3	REV D	

2301836

X-ON Electronics

Largest Supplier of Electrical and Electronic Components

Click to view similar products for [D-Sub High Density Connectors](#) category:

Click to view products by [TE Connectivity](#) manufacturer:

Other Similar products are found below :

[97-3250-11](#) [163A16809X](#) [163A17089X](#) [164A17199X](#) [164C18629X](#) [242A25680X](#) [L717HDB44POL2R210](#) [L717HDEH15POL2](#)
[L777HDE15P](#) [L77HDE15SC309](#) [163A16759X](#) [163A16839X](#) [163A16989X](#) [163A17079X](#) [164A17329X](#) [164A18219X](#) [241A16440X](#)
[241A16550X](#) [241A16680X](#) [241A20810X](#) [241A25740X](#) [CT25-44P](#) [MDBE15PE766](#) [L177HDE15SOL2RM23](#) [L177HRC62SVFM](#)
[L177HRCG62S](#) [L717HDEG15POL2RM5](#) [L77HDA26SVF](#) [L77HDE15SD1CO](#) [L77HDEH15SOL2RM832](#) [DAMA-15S-WS](#) [443895-3](#)
[106698-1](#) [280-012K2C](#) [DBMV13H3SNA197](#) [L177HRB44S](#) [164A17039X](#) [09562004701510](#) [164A17969X](#) [L777HRC62P](#) [241A17960X](#)
[164A18269X](#) [L777HDEG15P](#) [280-018P3S25MEGN](#) [206504-2](#) [40-9515HDSP](#) [2057140-1](#) [C115370-6002](#) [DFMA104SNMBFR172FR022](#)
[HDC9F200E2S](#)