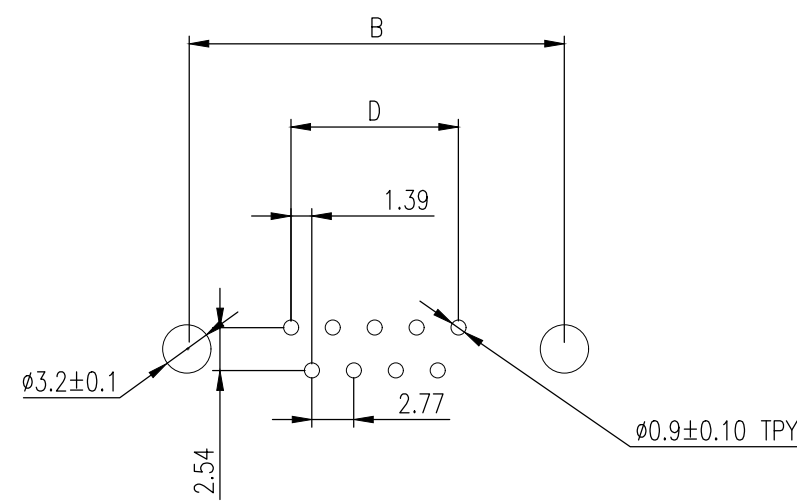
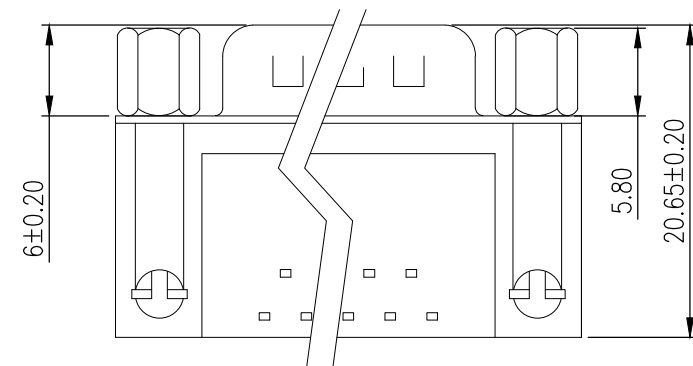
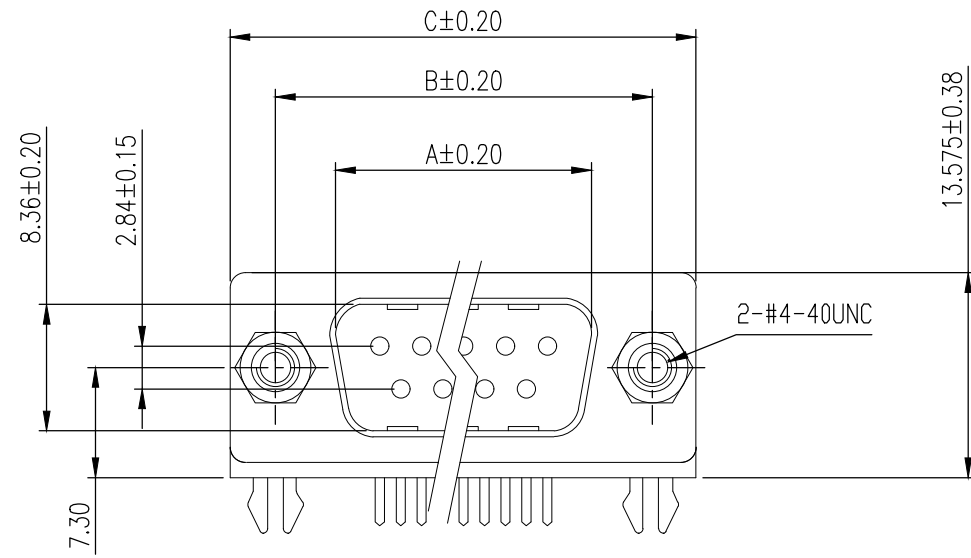


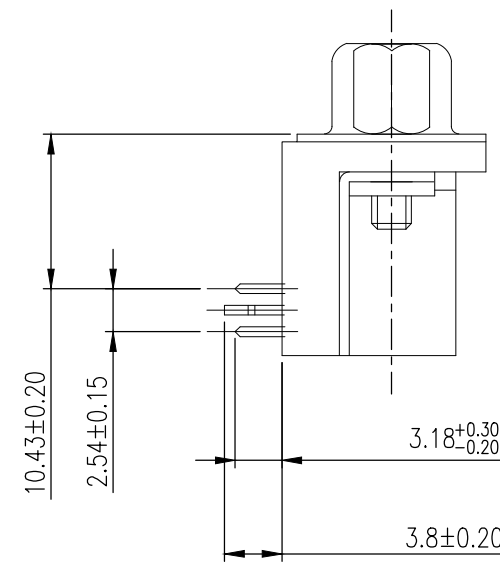
THIS DRAWING IS UNPUBLISHED. RELEASED FOR PUBLICATION
 © COPYRIGHT - By - ALL RIGHTS RESERVED.

REVISIONS					
P	LTR	DESCRIPTION	DATE	DWN	APVD
-	-	SEE SHEET 1	-	-	-

PART NUMBER	No. of Contact	A ±0.20	B ±0.20	C ±0.20	D
2301843-2	09	16.90	24.99	30.81	11.08



P.C.B LAYOUT



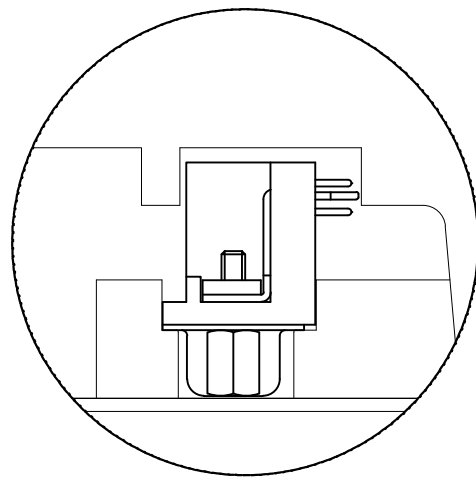
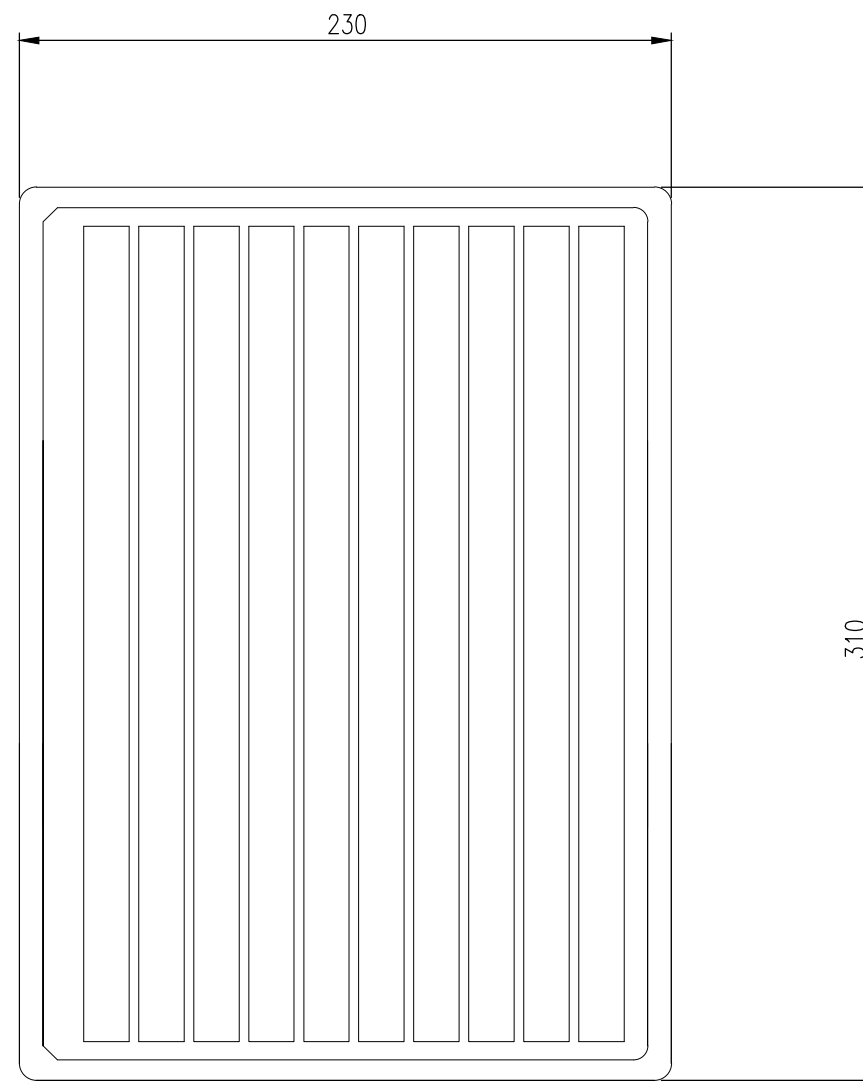
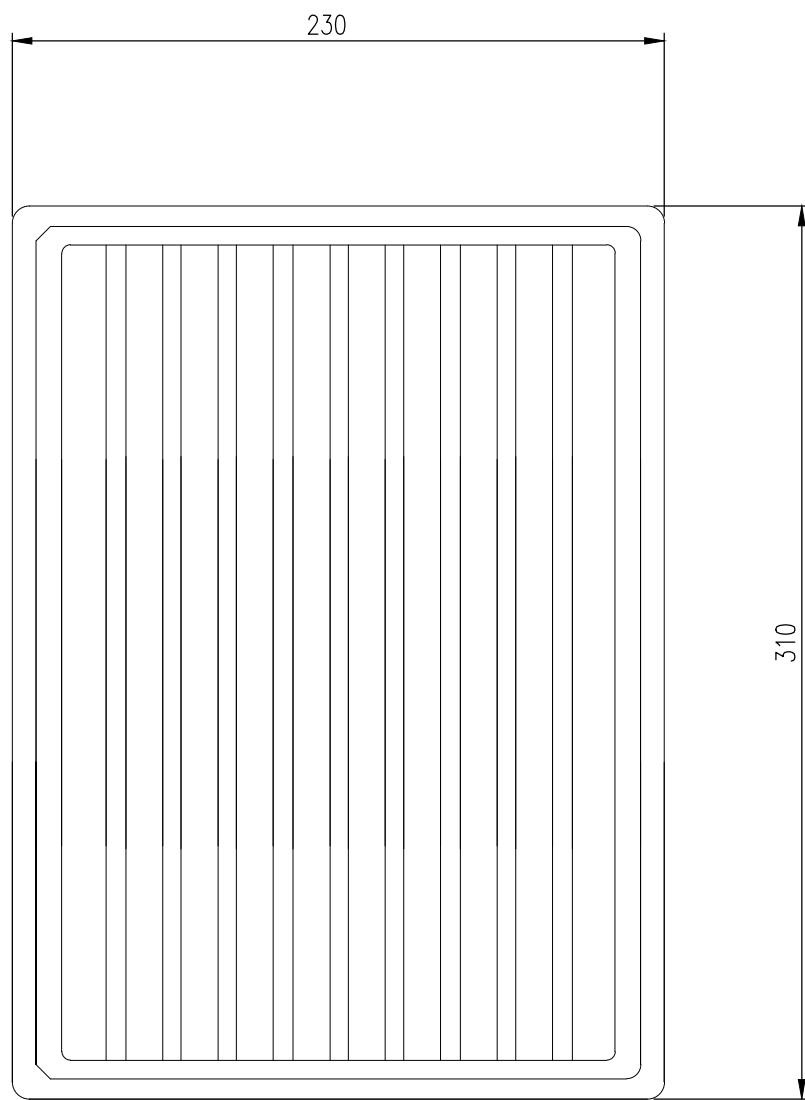
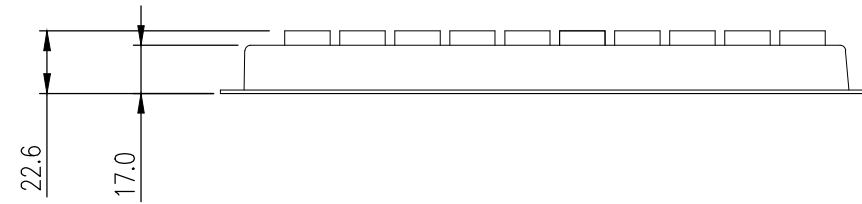
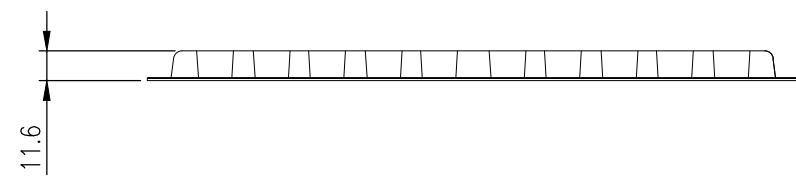
THIS DRAWING IS A CONTROLLED DOCUMENT.		DWN	AJITH PAI	07FEB2017
DIMENSIONS: mm		CHK	DAN GORENC	07FEB2017
TOLERANCES UNLESS OTHERWISE SPECIFIED:		APVD	-	07FEB2017
0 PLC ± -		PRODUCT SPEC	108-130013	
1 PLC ± 0.38		APPLICATION SPEC	-	
2 PLC ± 0.25		WEIGHT	0	
3 PLC ± 0.10		CUSTOMER DRAWING	-	
4 PLC ± -		SCALE	2:1	
ANGLES ± -		SHEET	2 of 4	
FINISH -		REV	H	

9W D PLG W B/L & 4-40 S/LOCK 15U" GOLD		2301843-2	
DESCRIPTION		TE PART NO	
TE TE Connectivity			
9 WAY D-SUB PLUG WITH BOARD LOCK			
SIZE	CAGE CODE	DRAWING NO	RESTRICTED TO
A2	00779	C=2301843	-

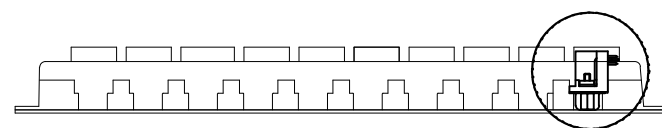
2301843

THIS DRAWING IS UNPUBLISHED. RELEASED FOR PUBLICATION
 © COPYRIGHT - By - ALL RIGHTS RESERVED.

REVISIONS					
P	LTR	DESCRIPTION	DATE	DWN	APVD
-	-	SEE SHEET 1	-	-	-



DETAIL A



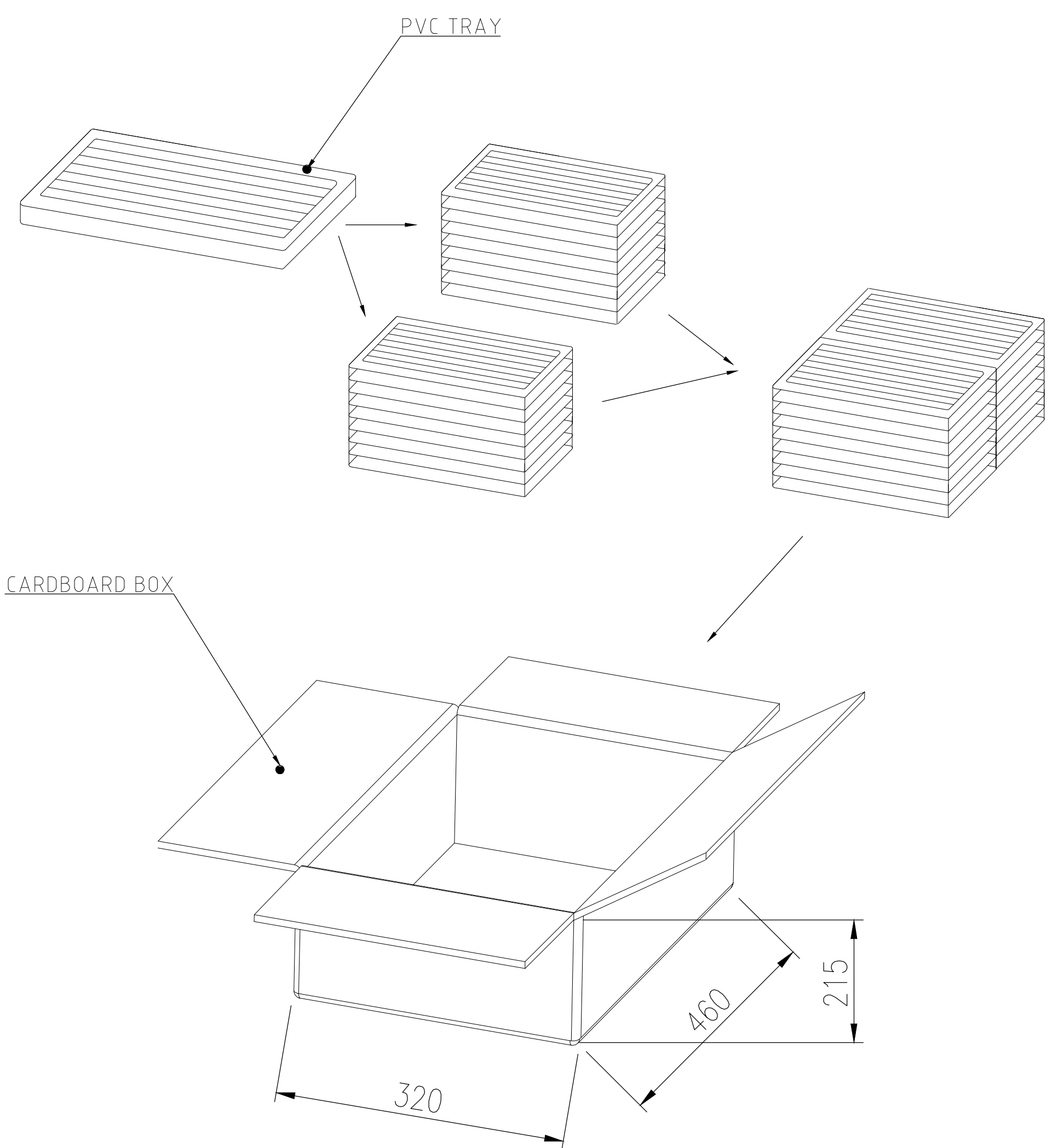
DETAIL A

THIS DRAWING IS A CONTROLLED DOCUMENT.		DWN AJITH PAI 07FEB2017		
		CHK DAN GORENC 07FEB2017		
		APVD - 07FEB2017	NAME	
DIMENSIONS: mm		PRODUCT SPEC 108-130013	9 WAY D-SUB PLUG WITH BOARD LOCK	
		APPLICATION SPEC -	SIZE A2	CAGE CODE 00779
MATERIAL -		FINISH -	DRAWING NO C=2301843	RESTRICTED TO -
		WEIGHT 0	SCALE 3:1	SHEET 3 of 4
		CUSTOMER DRAWING	REV H	

2301843

THIS DRAWING IS UNPUBLISHED. RELEASED FOR PUBLICATION
 © COPYRIGHT - By - ALL RIGHTS RESERVED.

REVISIONS					
P	LTR	DESCRIPTION	DATE	DWN	APVD
-	-	SEE SHEET 1	-	-	-



15.326	13.306	90	16	1440	2301843-2
12.734	10.714	90	16	1440	2301843-1
GROSS WEIGHT (Kg)	NET WEIGHT (Kg)	PCS/TRAY	TRAYS /CARTON	QUANTITY PCS	PART NUMBER

THIS DRAWING IS A CONTROLLED DOCUMENT.		DWN AJITH PAI 07FEB2017			
DIMENSIONS: mm		CHK DAN GORENC 07FEB2017			
TOLERANCES UNLESS OTHERWISE SPECIFIED:		APVD - 07FEB2017	NAME 9 WAY D-SUB PLUG WITH BOARD LOCK		
0 PLC ± -		PRODUCT SPEC 108-130013	SIZE A2		
1 PLC ± 0.38		APPLICATION SPEC -	CAGE CODE 00779	DRAWING NO C=2301843	RESTRICTED TO -
2 PLC ± 0.25		WEIGHT 0	SCALE 1:1		
3 PLC ± 0.10		CUSTOMER DRAWING	SHEET 4	OF 4	REV H
4 PLC ± -					
ANGLES ± -					
MATERIAL -					
FINISH -					

2301843

X-ON Electronics

Largest Supplier of Electrical and Electronic Components

Click to view similar products for [D-Sub Standard Connectors](#) category:

Click to view products by [TE Connectivity](#) manufacturer:

Other Similar products are found below :

[56F711-015](#) [012-9507-004](#) [LV242999-142T12](#) [015-0341-000](#) [015-0372-005](#) [015-0372-008](#) [015-8755-001](#) [020419-0104](#) [012-0467-000](#) [012-0515-000](#) [012-9507-034](#) [012-9507-114](#) [020745-0008](#) [609-25P](#) [M24308/2-23Z](#) [CT2-14S-2PCA34](#) [CT2-18-11PCAU](#) [CT6-10SL-3SC](#) [CT6-10SL-4SC](#) [CT6-14S-2SC](#) [CT6E14SA7SC](#) [M83513/01-FC](#) [M83723/76W24619 L/C](#) [M85049/48-3-2F](#) [6STD09PCM99B70X](#) [6STD09SCM99B30X](#) [6STD09SCT99S40X](#) [6STD15PCT99S40X](#) [6STD15SCM99B30X](#) [6STD15SCT99S40X](#) [6STF09PCM05B70X](#) [7-135760-9](#) [MC11E-10-6SN](#) [747552-3](#) [MD1-21PS](#) [MDM-15SCBRM7-F222](#) [MDM96517-699](#) [MDM96521-744](#) [MDVB1-21SL1](#) [MIK0-1-7SH003](#) [MIKQ6-7SH076](#) [MIKQ7-7PH077](#) [MIKQ7-7PH11](#) [MIKQ7-7PH32](#) [MJSV-28SL61](#) [MKJ4A1F14-55S](#) [8-135760-3](#) [8STD09PCM99B30X](#) [PG-KV/PV-16-GROM-SEALING](#) [GDA15P](#)