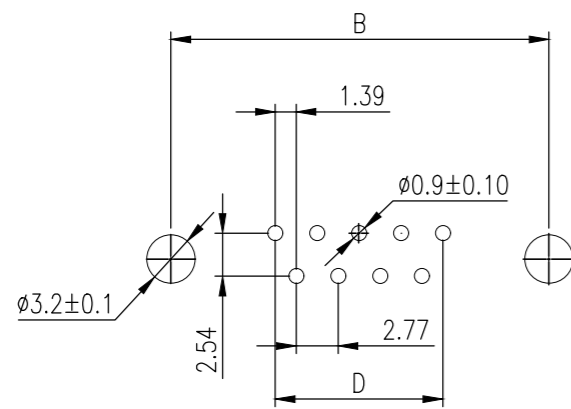
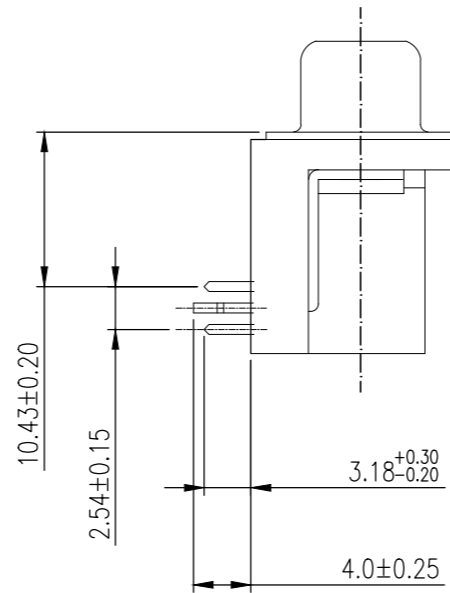
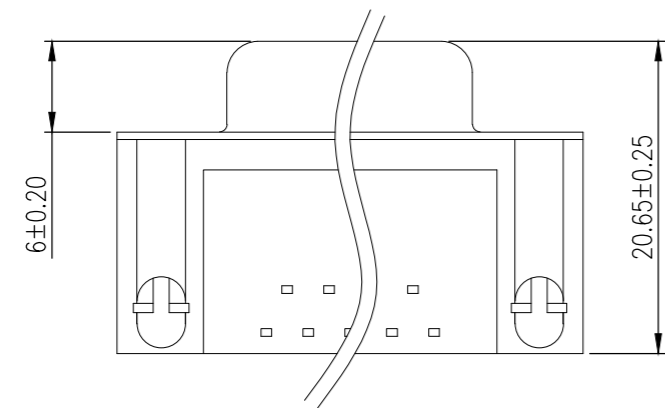
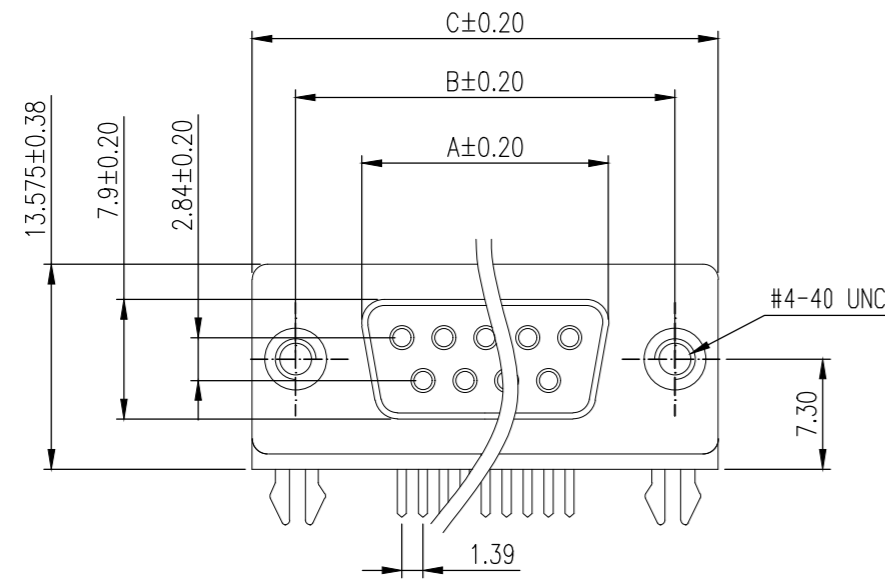


THIS DRAWING IS UNPUBLISHED. RELEASED FOR PUBLICATION
 © COPYRIGHT - By - ALL RIGHTS RESERVED.

REVISIONS					
P	LTR	DESCRIPTION	DATE	DWN	APVD
H		REVISED PER ECO-18-009360	15JUN2018	AP	DG

PART NUMBER	No. of Contact	A ±0.20	B ±0.20	C ±0.20	D
2301844-1	09	16.34	24.99	30.81	11.08



P.C.B LAYOUT

NOTE:

- MATERIAL:
 HOUSING: PBT WITH 20% GF UL 94 V-0, BLACK COLOR
 CONTACTS: PHOSPHOR BRONZE.
 SHELL: STEEL
 GROUNDING BRACKET: BRASS
 RIVETED INSERT: BRASS
 SCREWLOCK: BRASS
- FINISH:
 CONTACTS: 0.36 µm [15 µ"] GOLD IN CONTACT AREA.
 2.54 µm [100µ"] MATTE TIN ON SOLDER TAILS
 1.27 µm [50 µ"] NICKEL UNDERPLATE OVERALL
 SHELL: 2.54 µm [100µ"] NICKEL
 RIVET: 1.27 µm [50 µ"] NICKEL
 SCREWLOCK: 1.27 µm [50 µ"] NICKEL
 BOARDLOCK: 1.27µm [50µ"] MIN NICKEL UNDERPLATE.
 2.54µm [100µ"] MIN MATTE TIN PLATE
- WAVE SOLDER CAPABLE TO 265°C PER TE TEST SPEC. 109-202, CONDITION B.

2301844

9W D SKT W B/L & 4-40 INSERTS 15U" GOLD		2301844-1
DESCRIPTION		TE PART NO
TE TE Connectivity		
NAME 9 WAY D-SUB SOCKET WITH BOARD LOCK		
SIZE	CAGE CODE	DRAWING NO
A2	00779	C=2301844
RESTRICTED TO	SCALE	SHEET
-	3:1	1 of 4
REV	H	

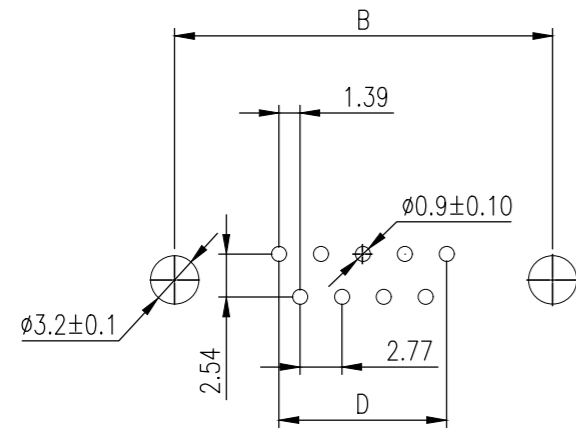
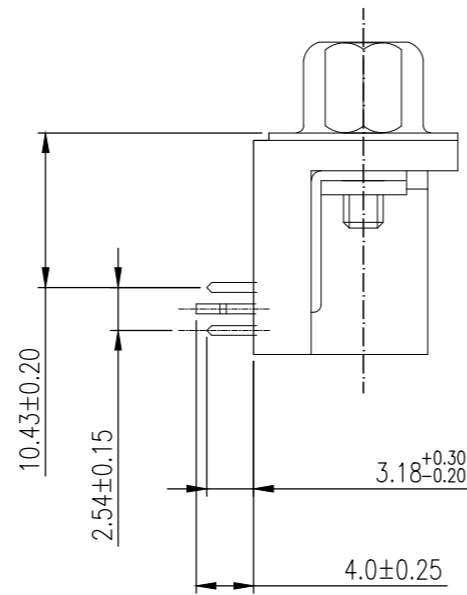
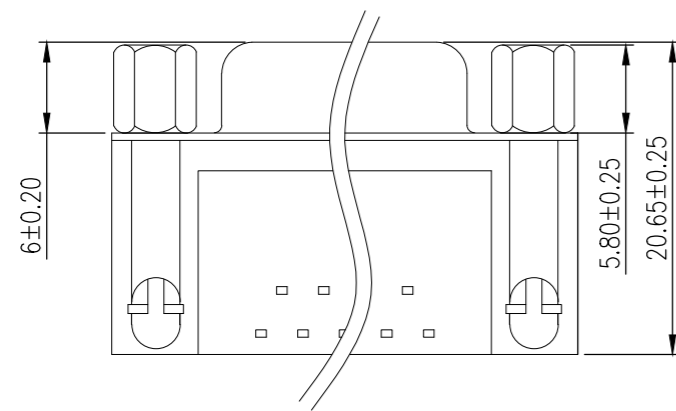
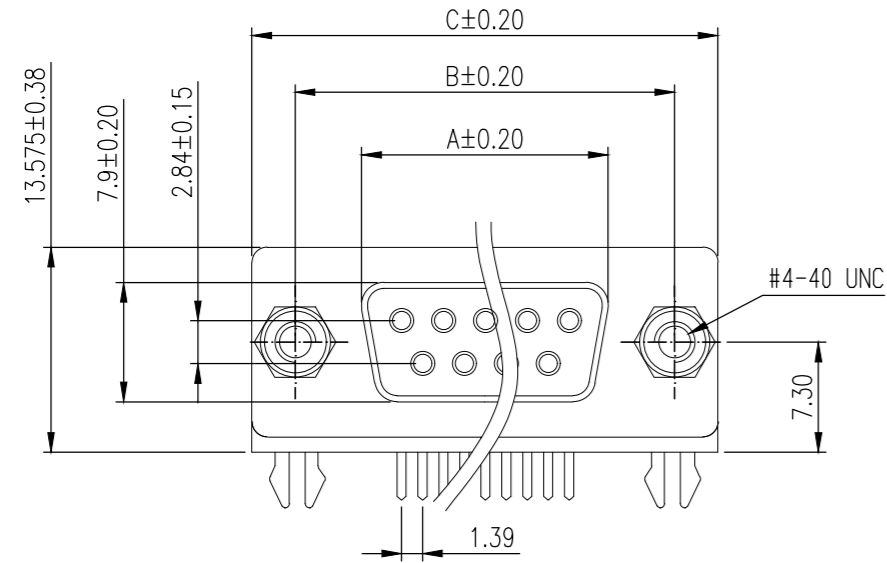
THIS DRAWING IS A CONTROLLED DOCUMENT.		DWN	07FEB2017
		CHK	07FEB2017
		APVD	07FEB2017
		PRODUCT SPEC	108-130013
		APPLICATION SPEC	-
		WEIGHT	0
CUSTOMER DRAWING			

DIMENSIONS:	TOLERANCES UNLESS OTHERWISE SPECIFIED:
mm	
⊕	0 PLC ± -
	1 PLC ± 0.38
	2 PLC ± 0.25
	3 PLC ± 0.10
	4 PLC ± -
ANGLES	± 2°

THIS DRAWING IS UNPUBLISHED. RELEASED FOR PUBLICATION
 © COPYRIGHT - By - ALL RIGHTS RESERVED.

REVISIONS					
P	LTR	DESCRIPTION	DATE	DWN	APVD
-	-	SEE SHEET 1	-	-	-

PART NUMBER	No. of Contact	A ±0.20	B ±0.20	C ±0.20	D
2301844-2	09	16.34	24.99	30.81	11.08



P.C.B LAYOUT

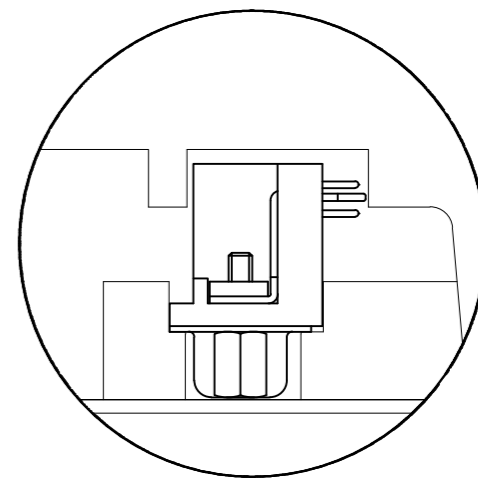
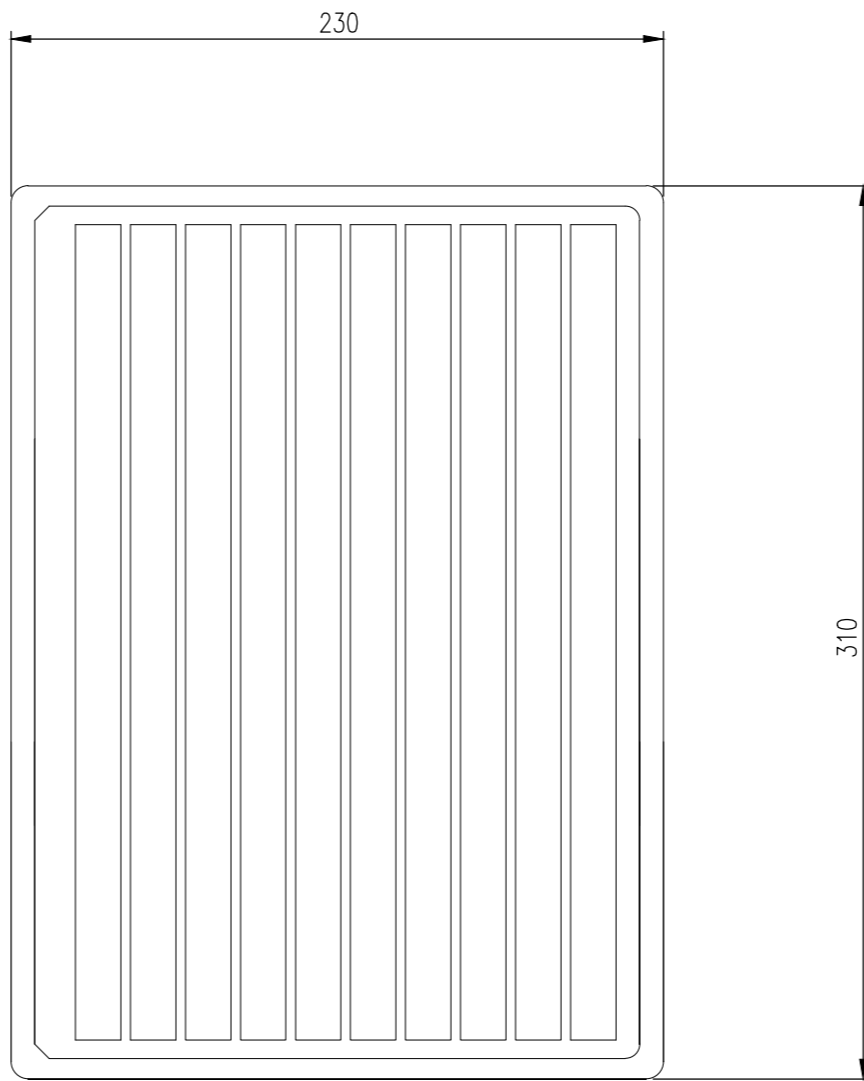
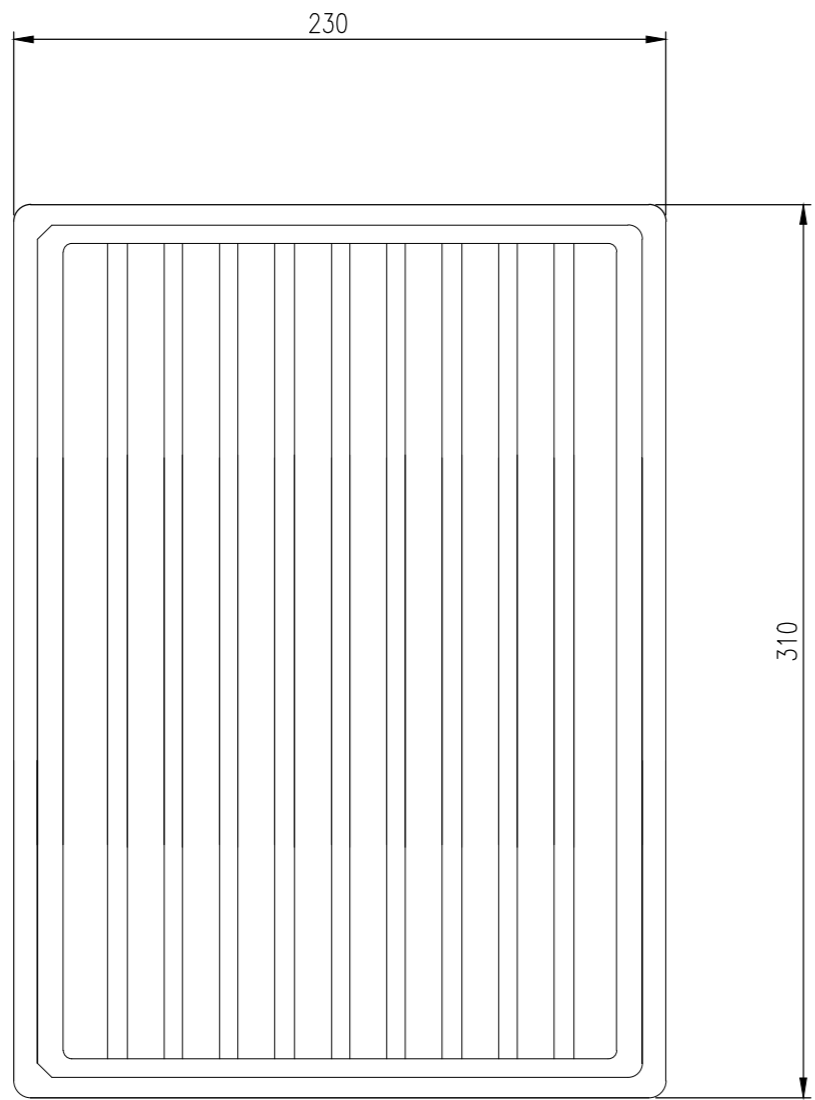
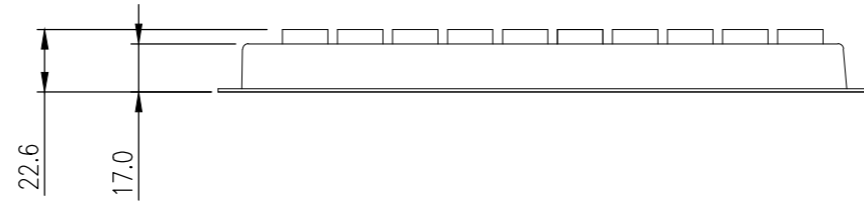
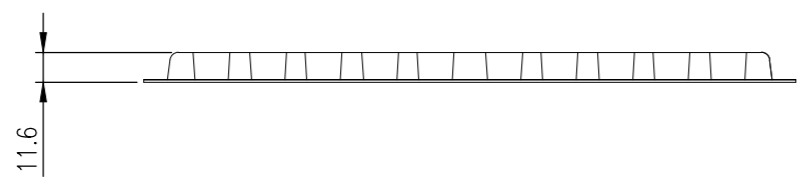
2301844

9W D SKT W B/L & 4-40 S/LOCK 15U" GOLD		2301844-2
DESCRIPTION		TE PART NO
TE TE Connectivity		
NAME 9 WAY D-SUB SOCKET WITH BOARD LOCK		
SIZE	CAGE CODE	DRAWING NO
A2	00779	C=2301844
RESTRICTED TO	SCALE	SHEET
-	3:1	2 of 4
REV	H	

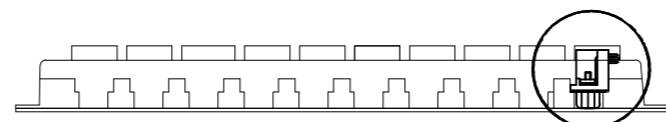
THIS DRAWING IS A CONTROLLED DOCUMENT.		DWN	AJITH PAI	07FEB2017
DIMENSIONS:		CHK	DAN GORENC	07FEB2017
mm	TOLERANCES UNLESS OTHERWISE SPECIFIED:	APVD	-	07FEB2017
⊕	0 PLC	±	-	PRODUCT SPEC
	1 PLC	±	0.38	108-130013
	2 PLC	±	0.25	APPLICATION SPEC
	3 PLC	±	0.10	-
	4 PLC	±	-	WEIGHT
ANGLES	±	-	0	CUSTOMER DRAWING
MATERIAL	FINISH	-		

THIS DRAWING IS UNPUBLISHED. RELEASED FOR PUBLICATION
 © COPYRIGHT - By - ALL RIGHTS RESERVED.

REVISIONS					
P	LTR	DESCRIPTION	DATE	DWN	APVD
-	-	SEE SHEET 1	-	-	-



DETAIL A

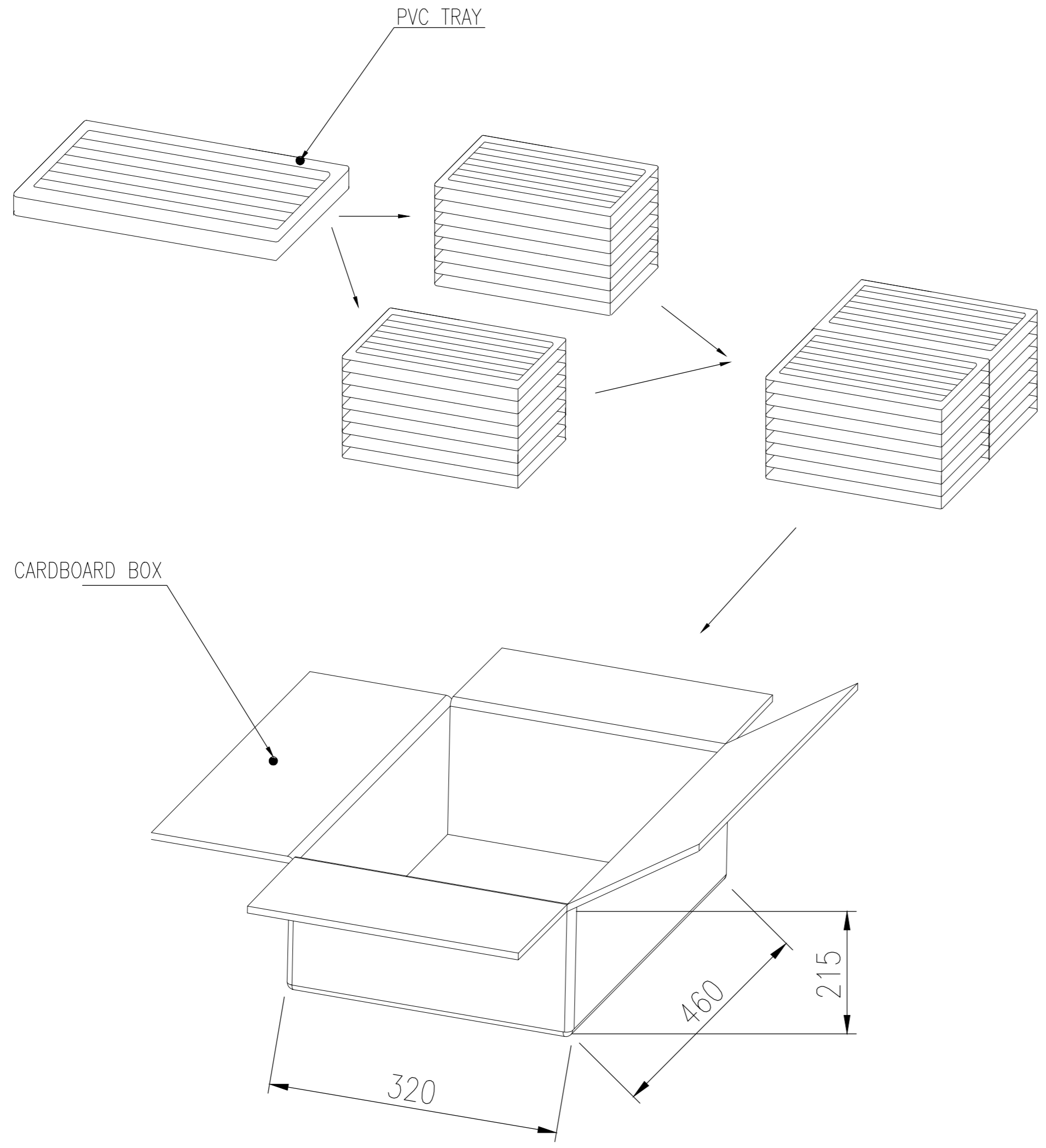


DETAIL A

THIS DRAWING IS A CONTROLLED DOCUMENT.		DWN AJITH PAI 07FEB2017					
DIMENSIONS: mm		CHK DAN GORENC 07FEB2017					
TOLERANCES UNLESS OTHERWISE SPECIFIED:		APVD - 07FEB2017	NAME 9 WAY D-SUB SOCKET WITH BOARD LOCK				
0 PLC ± - 1 PLC ± 0.38 2 PLC ± 0.25 3 PLC ± 0.10 4 PLC ± - ANGLES ± -		PRODUCT SPEC 108-130013	SIZE A2	CAGE CODE 00779	DRAWING NO C=2301844	RESTRICTED TO -	
MATERIAL -		FINISH -	WEIGHT 0	SCALE 3:1		SHEET 3 of 4	REV H
CUSTOMER DRAWING							

THIS DRAWING IS UNPUBLISHED. RELEASED FOR PUBLICATION
 © COPYRIGHT - By - ALL RIGHTS RESERVED.

REVISIONS					
P	LTR	DESCRIPTION	DATE	DWN	APVD
-	-	SEE SHEET 1	-	-	-



15.672	13.651	90	16	1440	2301844-2
13.080	11.059	90	16	1440	2301844-1
GROSS WEIGHT	NET WEIGHT	PCS/TRAY	TRAYS / CARTON	QUANTITY	PART NUMBER

THIS DRAWING IS A CONTROLLED DOCUMENT.		DWN AJITH PAI 07FEB2017			
DIMENSIONS: mm		CHK DAN GORENC 07FEB2017			
TOLERANCES UNLESS OTHERWISE SPECIFIED:		APVD - 07FEB2017	NAME 9 WAY D-SUB SOCKET WITH BOARD LOCK		
0 PLC ± -		PRODUCT SPEC 108-130013	SIZE A2	CAGE CODE 00779	DRAWING NO C=2301844
1 PLC ± 0.38		APPLICATION SPEC -	RESTRICTED TO -		
2 PLC ± 0.25		WEIGHT 0	SCALE 1:1		
3 PLC ± 0.10		CUSTOMER DRAWING	SHEET 4 OF 4		
4 PLC ± -			REV H		
ANGLES ± -					
FINISH -					

2301844

X-ON Electronics

Largest Supplier of Electrical and Electronic Components

Click to view similar products for [D-Sub Standard Connectors](#) category:

Click to view products by [TE Connectivity](#) manufacturer:

Other Similar products are found below :

[56F711-015](#) [012-9507-004](#) [LV242999-142T12](#) [015-0341-000](#) [015-0372-005](#) [015-0372-008](#) [015-8755-001](#) [020419-0104](#) [012-0467-000](#) [012-0515-000](#) [012-9507-034](#) [012-9507-114](#) [020745-0008](#) [609-25P](#) [M24308/2-23Z](#) [CT2-14S-2PCA34](#) [CT2-18-11PCAU](#) [CT6-10SL-3SC](#) [CT6-10SL-4SC](#) [CT6-14S-2SC](#) [CT6E14SA7SC](#) [M83513/01-FC](#) [M83723/76W24619 L/C](#) [M85049/48-3-2F](#) [6STD09PCM99B70X](#) [6STD09SCM99B30X](#) [6STD09SCT99S40X](#) [6STD15PCT99S40X](#) [6STD15SCM99B30X](#) [6STD15SCT99S40X](#) [6STF09PCM05B70X](#) [7-135760-9](#) [MC11E-10-6SN](#) [747552-3](#) [MD1-21PS](#) [MDM-15SCBRM7-F222](#) [MDM96517-699](#) [MDM96521-744](#) [MDVB1-21SL1](#) [MIK0-1-7SH003](#) [MIKQ6-7SH076](#) [MIKQ7-7PH077](#) [MIKQ7-7PH11](#) [MIKQ7-7PH32](#) [MJSV-28SL61](#) [MKJ4A1F14-55S](#) [8-135760-3](#) [8STD09PCM99B30X](#) [PG-KV/PV-16-GROM-SEALING](#) [GDA15P](#)