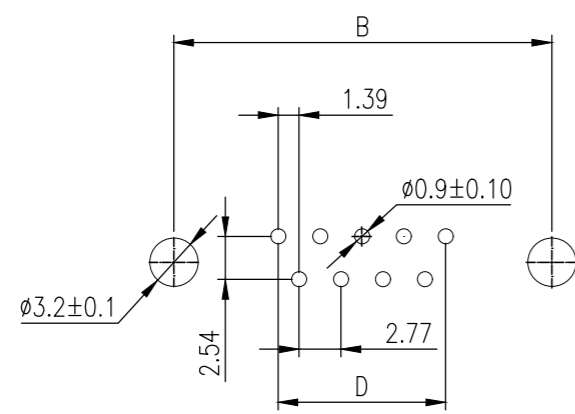
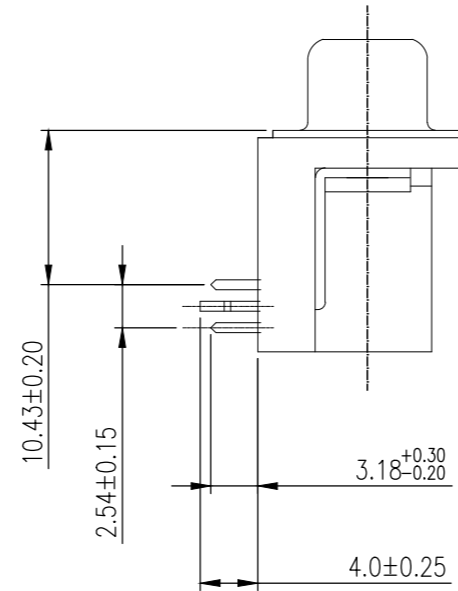
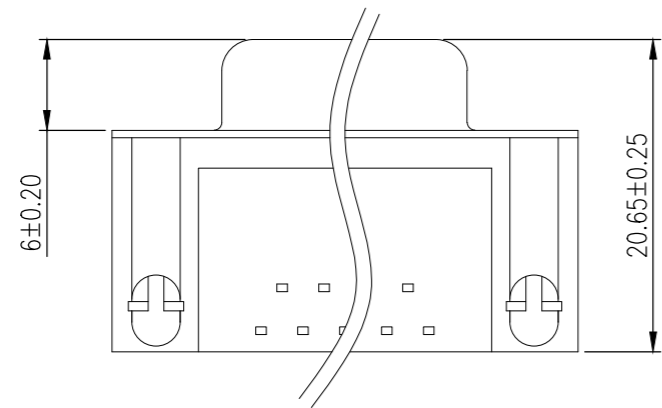
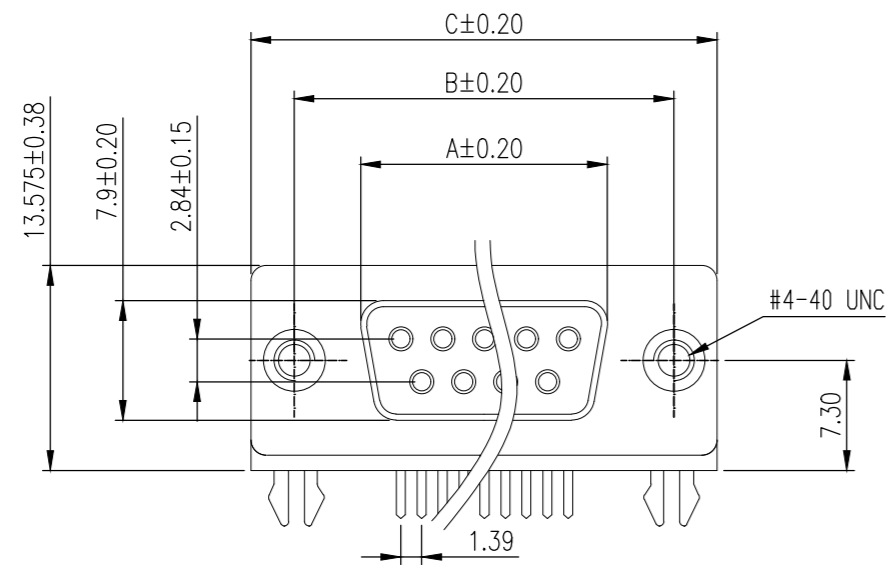


THIS DRAWING IS UNPUBLISHED. RELEASED FOR PUBLICATION  
 © COPYRIGHT - By - ALL RIGHTS RESERVED.

REVISIONS					
P	LTR	DESCRIPTION	DATE	DWN	APVD
	H	REVISED PER ECO-18-009360	15JUN2018	AP	DG



P.C.B LAYOUT

PRAT NUMBER	No. of Contact	A ±0.20	B ±0.20	C ±0.20	D
2301845-1	15	24.76	33.32	39.14	19.39

NOTE:

- MATERIAL:  
 HOUSING: PBT WITH 20% GF UL 94 V-0, BLACK COLOR  
 CONTACTS: PHOSPHOR BRONZE.  
 SHELL: STEEL  
 GROUNDING BRACKET: BRASS  
 RIVETED INSERT: BRASS  
 SCREWLOCK: BRASS
- FINISH:  
 CONTACTS: 0.36 µm [15 µ"] GOLD IN CONTACT AREA.  
 2.54 µm [100µ"] MATTE TIN ON SOLDER TAILS  
 1.27 µm [50 µ"] NICKEL UNDERPLATE OVERALL  
 SHELL: 2.54 µm [100µ"] NICKEL  
 RIVET: 1.27 µm [50 µ"] NICKEL  
 SCREWLOCK: 1.27 µm [50 µ"] NICKEL  
 BOARDLOCK: 1.27µm [50µ"] MIN NICKEL UNDERPLATE.  
 2.54µm [100µ"] MIN MATTE TIN PLATE
- WAVE SOLDER CAPABLE TO 265°C PER TE TEST SPEC. 109-202, CONDITION B.

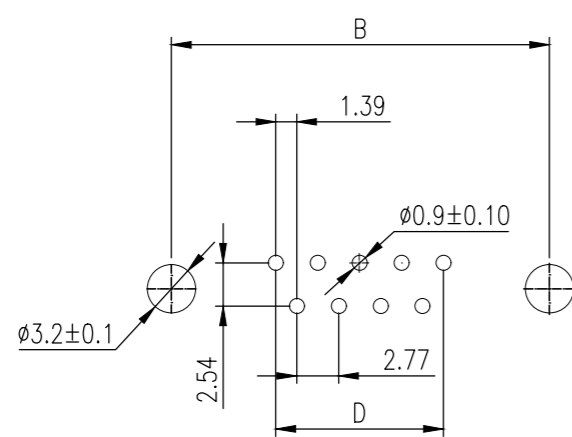
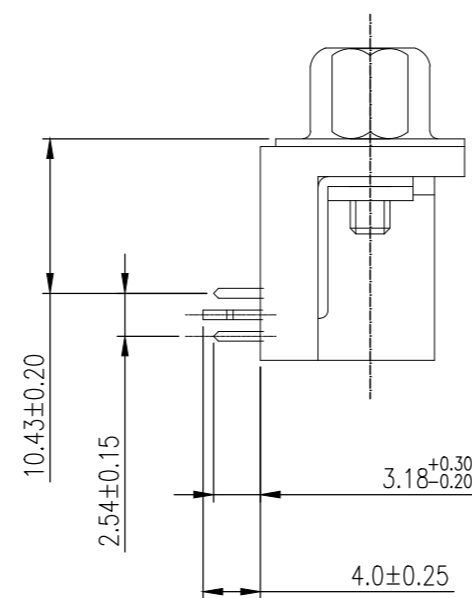
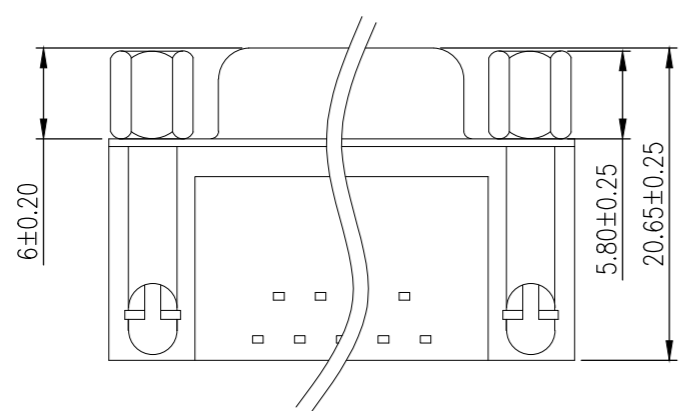
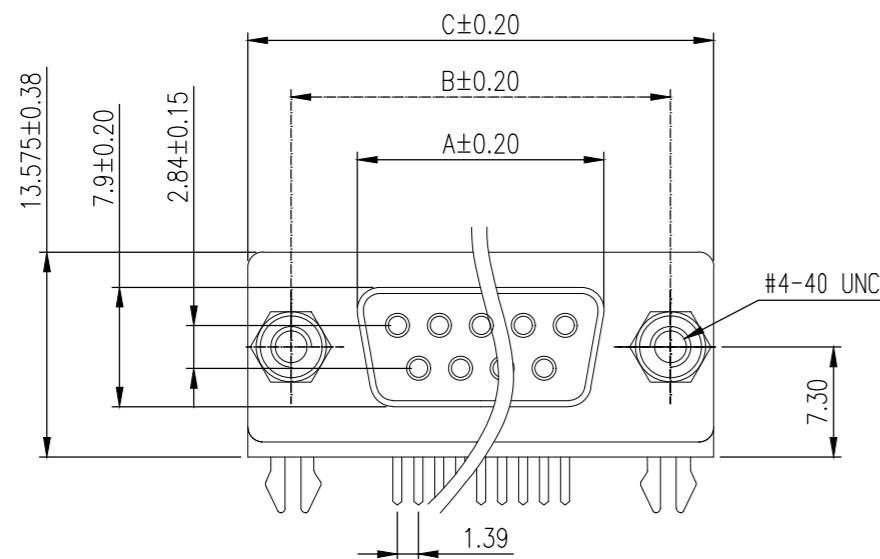
2301845

THIS DRAWING IS A CONTROLLED DOCUMENT.		DWN	AJITH PAI	07FEB2017
DIMENSIONS: mm		CHK	DAN GORENC	07FEB2017
TOLERANCES UNLESS OTHERWISE SPECIFIED:		APVD	-	07FEB2017
0 PLC ± -		PRODUCT SPEC	108-130013	
1 PLC ± 0.38		APPLICATION SPEC	-	
2 PLC ± 0.25		WEIGHT	0	
3 PLC ± 0.10		CUSTOMER DRAWING	SCALE 2:1 SHEET 1 of 4 REV H	
4 PLC ± -				
ANGLES ± 2°				
FINISH -				

15W D SKT W B/L & 4-40 INSERTS			2301845-1
DESCRIPTION			TE PART NO
<b>TE</b> TE Connectivity			
NAME 15 WAY D-SUB SOCKET WITH BOARD LOCK			
SIZE	CAGE CODE	DRAWING NO	RESTRICTED TO
A2	00779	C=2301845	-

THIS DRAWING IS UNPUBLISHED. RELEASED FOR PUBLICATION  
 © COPYRIGHT - By - ALL RIGHTS RESERVED.

REVISIONS					
P	LTR	DESCRIPTION	DATE	DWN	APVD
-	-	SEE SHEET 1	-	-	-



P.C.B LAYOUT

PRAT NUMBER	No. of Contact	A ±0.20	B ±0.20	C ±0.20	D
2301845-2	15	24.76	33.32	39.14	19.39

2301845

15W D SKT W B/L & 4-40 S/LOCK 15U" GOLD	2301845-2
DESCRIPTION	TE PART NO

**TE** TE Connectivity

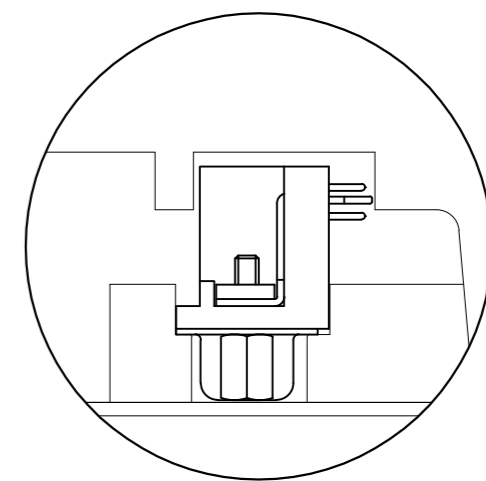
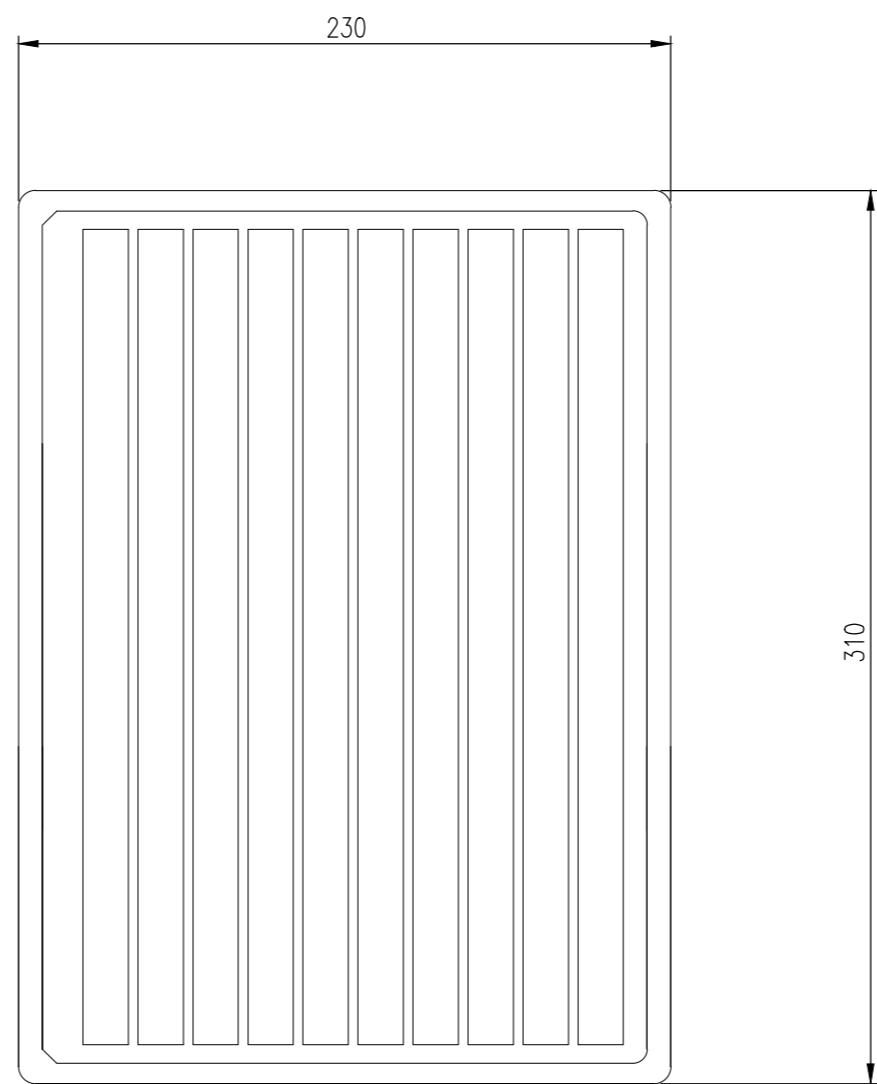
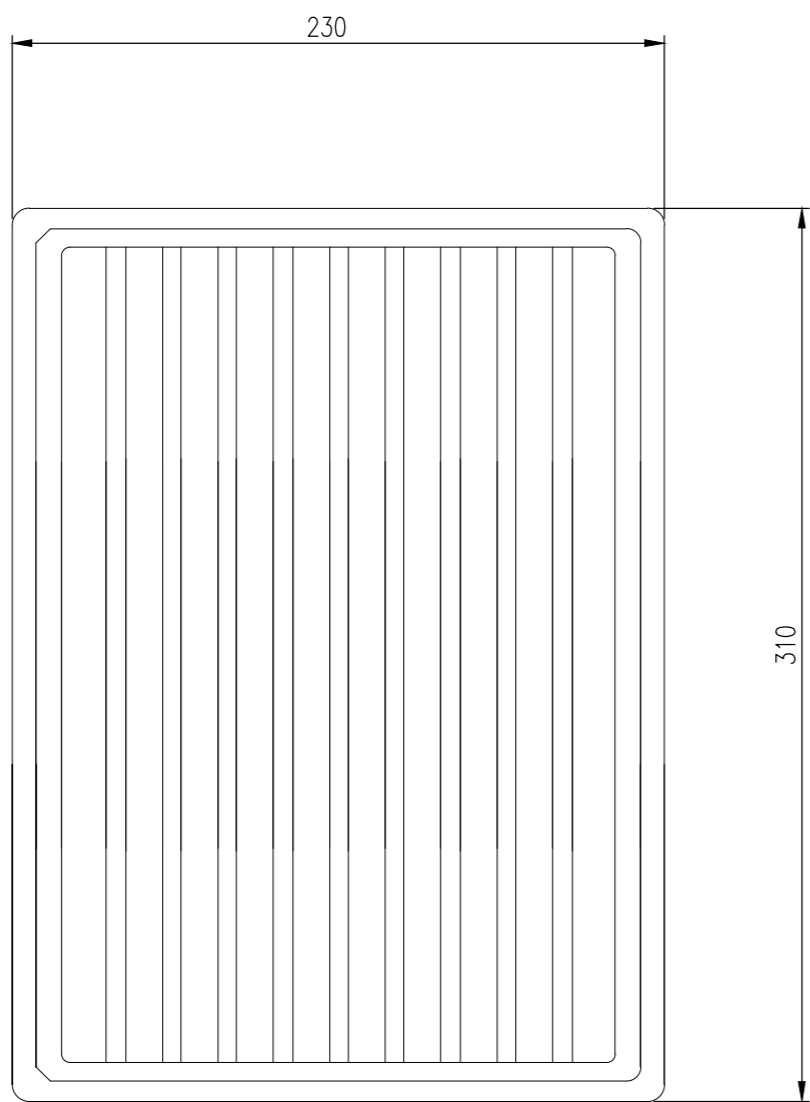
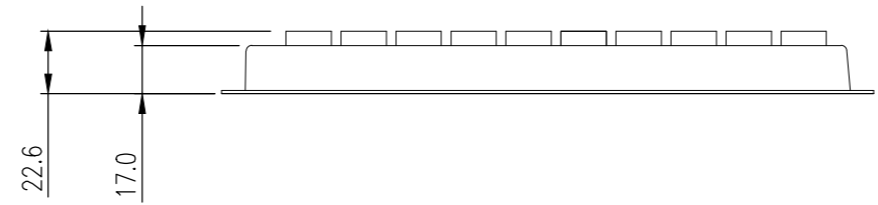
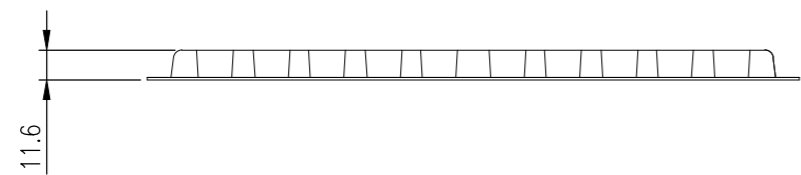
NAME			
15 WAY D-SUB SOCKET WITH BOARD LOCK			

SIZE	CAGE CODE	DRAWING NO	RESTRICTED TO
A2	00779	C=2301845	-

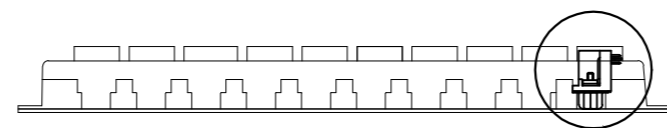
THIS DRAWING IS A CONTROLLED DOCUMENT.		DWN	AJITH PAI	07FEB2017
DIMENSIONS: mm		CHK	DAN GORENC	07FEB2017
TOLERANCES UNLESS OTHERWISE SPECIFIED:		APVD	-	07FEB2017
0 PLC ± -		PRODUCT SPEC	108-130013	
1 PLC ± 0.38		APPLICATION SPEC	-	
2 PLC ± 0.25		WEIGHT	0	
3 PLC ± 0.10		CUSTOMER DRAWING	SCALE 2:1 SHEET 2 of 4 REV H	
4 PLC ± -				
ANGLES ± -				
FINISH				
-				

THIS DRAWING IS UNPUBLISHED. RELEASED FOR PUBLICATION  
 © COPYRIGHT - By - ALL RIGHTS RESERVED.

REVISIONS				
P	LTR	DESCRIPTION	DATE	APVD
-	-	SEE SHEET 1	-	-



DETAIL A

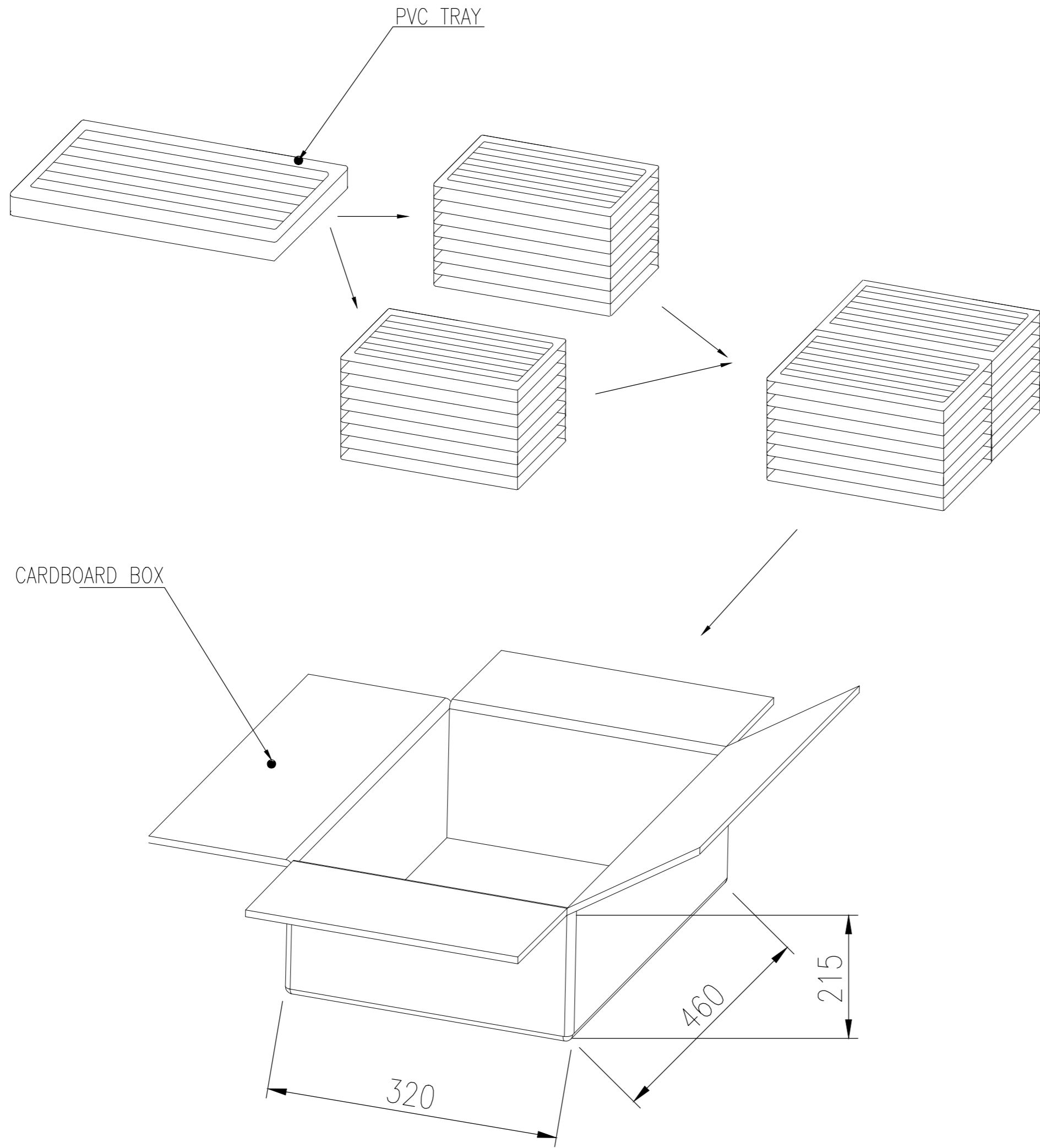


DETAIL A

THIS DRAWING IS A CONTROLLED DOCUMENT.		DWN AJITH PAI 07FEB2017		
		CHK DAN GORENC 07FEB2017		
		APVD - 07FEB2017	NAME	
DIMENSIONS: mm		PRODUCT SPEC 108-130013	15 WAY D-SUB SOCKET WITH BOARD LOCK	
TOLERANCES UNLESS OTHERWISE SPECIFIED:		APPLICATION SPEC	SIZE A2	CAGE CODE 00779
0 PLC ± -		WEIGHT 0	DRAWING NO C=2301845	RESTRICTED TO -
1 PLC ± 0.38				
2 PLC ± 0.25				
3 PLC ± 0.10				
4 PLC ± -				
ANGLES ± -				
MATERIAL -		CUSTOMER DRAWING		SCALE 3:1
FINISH -		SHEET 3 of 4		REV H

THIS DRAWING IS UNPUBLISHED. RELEASED FOR PUBLICATION  
 © COPYRIGHT - By - ALL RIGHTS RESERVED.

REVISIONS					
P	LTR	DESCRIPTION	DATE	DWN	APVD
-	-	SEE SHEET 1	-	-	-



15.438	13.418	70	16	1120	2301845-2
13.422	11.402	70	16	1120	2301845-1
GROSS WEIGHT (Kg)	NET WEIGHT (Kg)	PCS/TRAY	TRAYS /CARTON	QUANTITY Pcs	PART NUMBER

THIS DRAWING IS A CONTROLLED DOCUMENT.		DWN AJITH PAI 07FEB2017			
DIMENSIONS: mm		CHK DAN GORENC 07FEB2017			
TOLERANCES UNLESS OTHERWISE SPECIFIED:		APVD - 07FEB2017	NAME 15 WAY D-SUB SOCKET WITH BOARD LOCK		
0 PLC ± -		PRODUCT SPEC 108-130013	SIZE A2	CAGE CODE 00779	DRAWING NO C=2301845
1 PLC ± 0.38		APPLICATION SPEC -	RESTRICTED TO -		
2 PLC ± 0.25		WEIGHT 0	SCALE 1:1	SHEET 4 of 4	REV H
3 PLC ± 0.10		CUSTOMER DRAWING			
4 PLC ± -					
ANGLES ± -					
FINISH -					

2301845

## X-ON Electronics

Largest Supplier of Electrical and Electronic Components

*Click to view similar products for [TE Connectivity](#) manufacturer:*

Other Similar products are found below :

[017667013](#) [DMC-MD 26 B](#) [D38999/26FG41HA](#) [D38999/26FG41HN-LC](#) [D38999/26GG41PC-LC](#) [D38999/26GG41PN-LC](#)  
[D38999/26WG41AC](#) [D38999/26WG41HC](#) [DTS24Z21-39HN](#) [DTS24Z21-41HN](#) [MS27467T21F11J](#) [MS27467T21F16H-LC](#)  
[MS27467T21F35H](#) [DTS26W21-41HC-LC](#) [DTS26W21-41AC](#) [DTS26F21-41HC-LC](#) [DTS26F21-41HC](#) [DTS26F21-41AC](#) [DTS26F21-39HC](#)  
[DTS26W21-41PC-LC](#) [DTS26W21-39HC](#) [DTS26F21-41PC-LC](#) [BACC63CM2842PNA](#) [569875-2](#) [1546693-1](#) [6EL1SCM](#) [KUP93-14A13-120](#)  
[1599027-1](#) [2052-1618-02](#) [4000-04AW18K999](#) [2041021-4](#) [3-1571586-0](#) [CB10LH103M](#) [CB10LV474M](#) [8-917542-2](#) [894645-000](#) [PCH-](#)  
[124D2MH,000](#) [568176-6](#) [5-690482-4](#) [570831-000](#) [5745438-3](#) [5745652-2](#) [CRB-48-70180](#) [5767006-7](#) [58061-1](#) [58082-1](#) [58113-5](#) [58284-1](#)  
[582843-6](#) [58380-2](#)