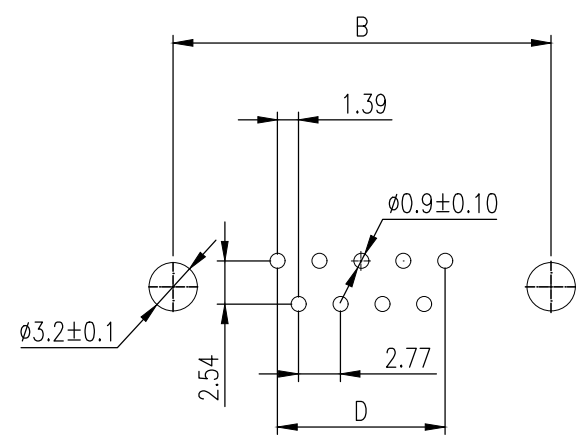
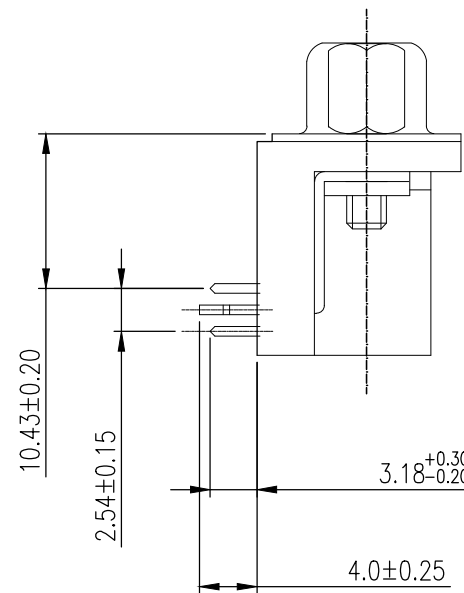
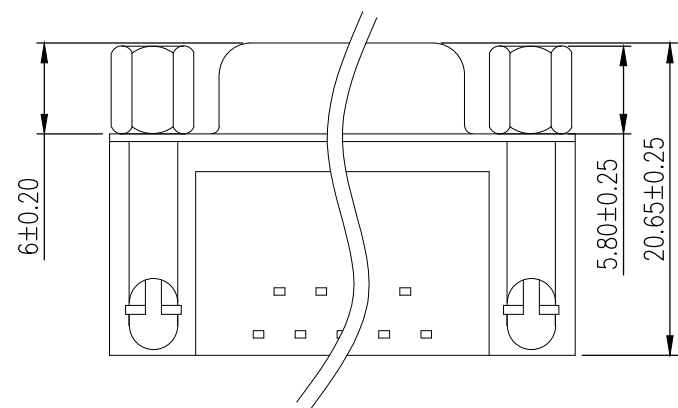
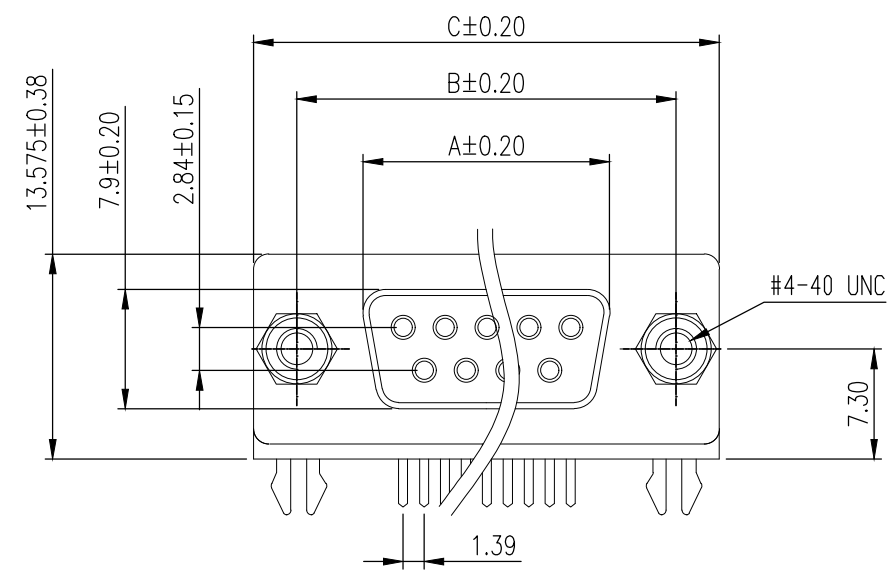


THIS DRAWING IS UNPUBLISHED. RELEASED FOR PUBLICATION  
 © COPYRIGHT - By - ALL RIGHTS RESERVED.

REVISIONS					
P	LTR	DESCRIPTION	DATE	DWN	APVD
	H	REVISED PER ECO-18-009360	15JUN2018	AP	DG



P.C.B LAYOUT

PRAT NUMBER	No. of Contact	A ±0.20	B ±0.20	C ±0.20	D
2301846-1	25	38.33	47.04	53.04	33.24

NOTE:

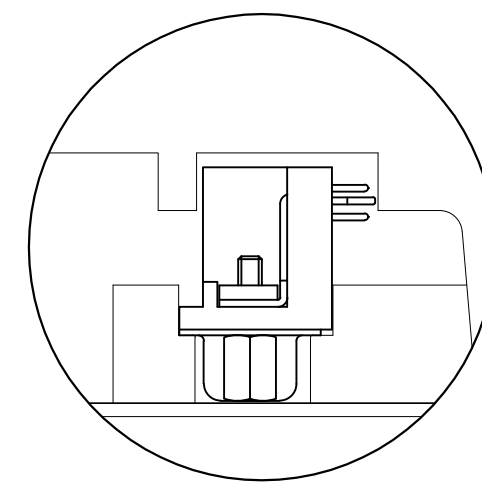
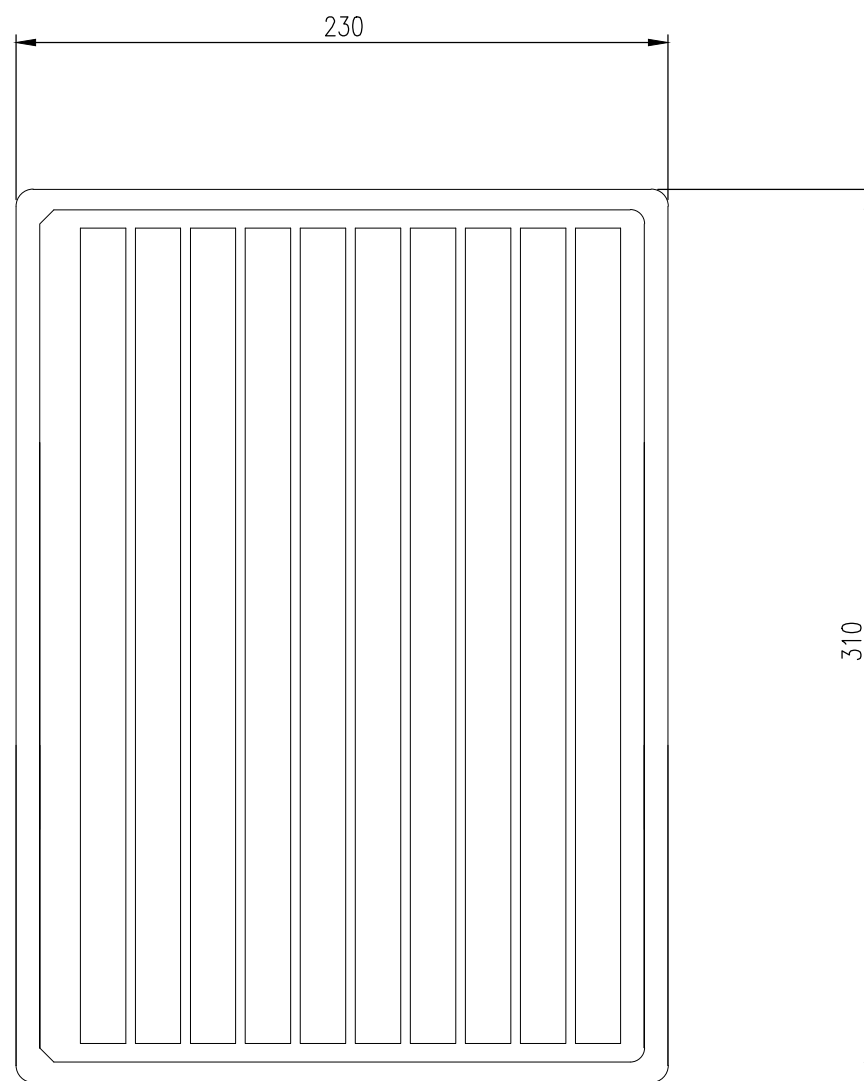
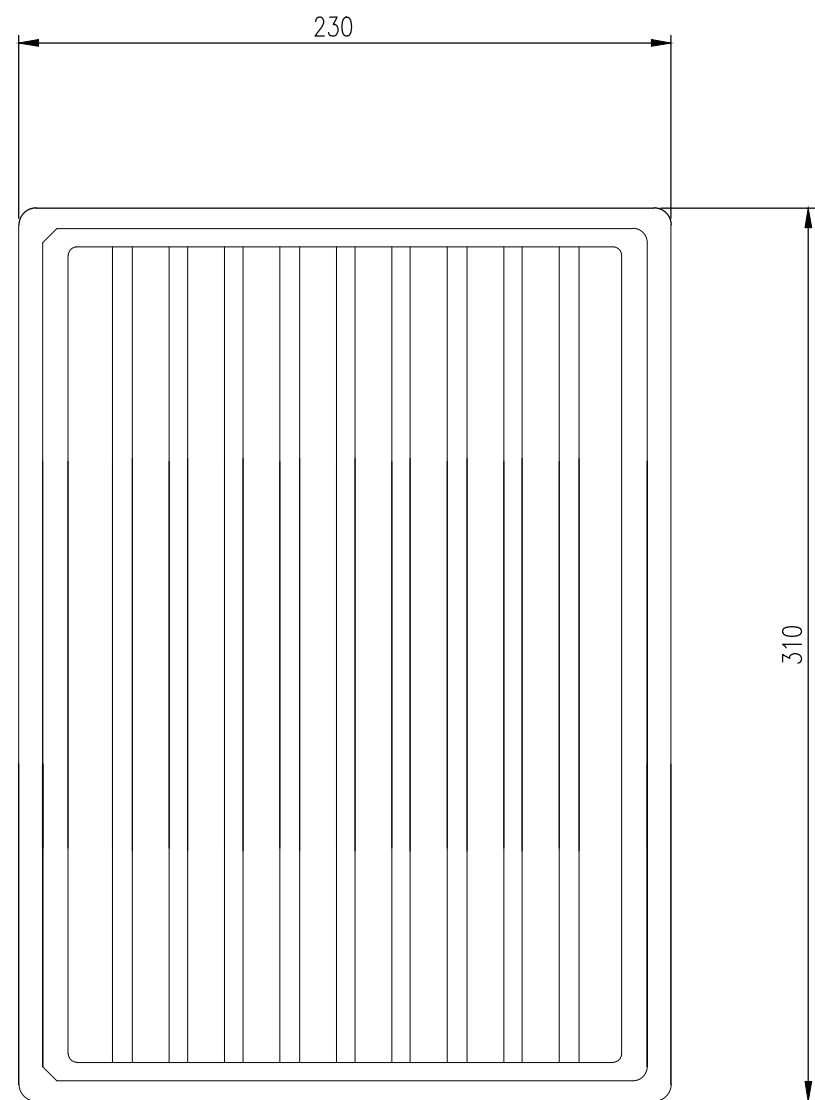
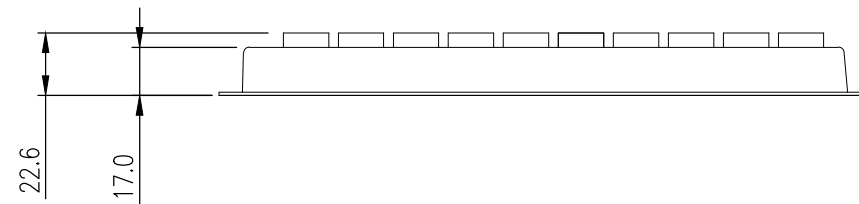
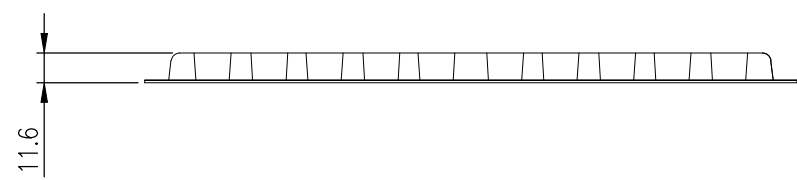
- MATERIAL:  
 HOUSING: PBT WITH 20% GF UL 94 V-0, BLACK COLOR  
 CONTACTS: PHOSPHOR BRONZE.  
 SHELL: STEEL  
 GROUNDING BRACKET: BRASS  
 RIVETED INSERT: BRASS  
 SCREWLOCK: BRASS
- FINISH:  
 CONTACTS: 0.36 μm [15 μ"] GOLD IN CONTACT AREA.  
 2.54 μm [100 μ"] MATTE TIN ON SOLDER TAILS  
 1.27 μm [50 μ"] NICKEL UNDERPLATE OVERALL  
 SHELL: 2.54 μm [100 μ"] NICKEL  
 RIVET: 1.27 μm [50 μ"] NICKEL  
 SCREWLOCK: 1.27 μm [50 μ"] NICKEL  
 BOARDLOCK: 1.27 μm [50 μ"] MIN NICKEL UNDERPLATE.  
 2.54 μm [100 μ"] MIN MATTE TIN PLATE.
- WAVE SOLDER CAPABLE TO 265°C PER TE TEST SPEC. 109-202, CONDITION B.

2301846

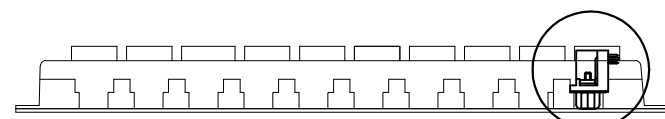
THIS DRAWING IS A CONTROLLED DOCUMENT.		DWN	AJITH PAI	07FEB2017	25W D SKT W B/L & 4-40 S/LOCK 15U" GOLD		2301846-1
DIMENSIONS: mm		CHK	DAN GORENC	07FEB2017	DESCRIPTION		TE PART NO
TOLERANCES UNLESS OTHERWISE SPECIFIED:		APVD	-	07FEB2017			
0 PLC ± -		PRODUCT SPEC	108-130013		NAME		25 WAY D-SUB SOCKET WITH BOARD LOCK
1 PLC ± 0.38		APPLICATION SPEC	-		SIZE	CAGE CODE	DRAWING NO
2 PLC ± 0.25		WEIGHT	0		A2	00779	C=2301846
3 PLC ± 0.10		CUSTOMER DRAWING	-		SCALE	SHEET	1 of 3
4 PLC ± -			-		3:1	REV	H
ANGLES ± -			-				
FINISH			-				

THIS DRAWING IS UNPUBLISHED. RELEASED FOR PUBLICATION  
 © COPYRIGHT - By - ALL RIGHTS RESERVED.

REVISIONS					
P	LTR	DESCRIPTION	DATE	DWN	APVD
-	-	SEE SHEET 1	-	-	-



DETAIL A

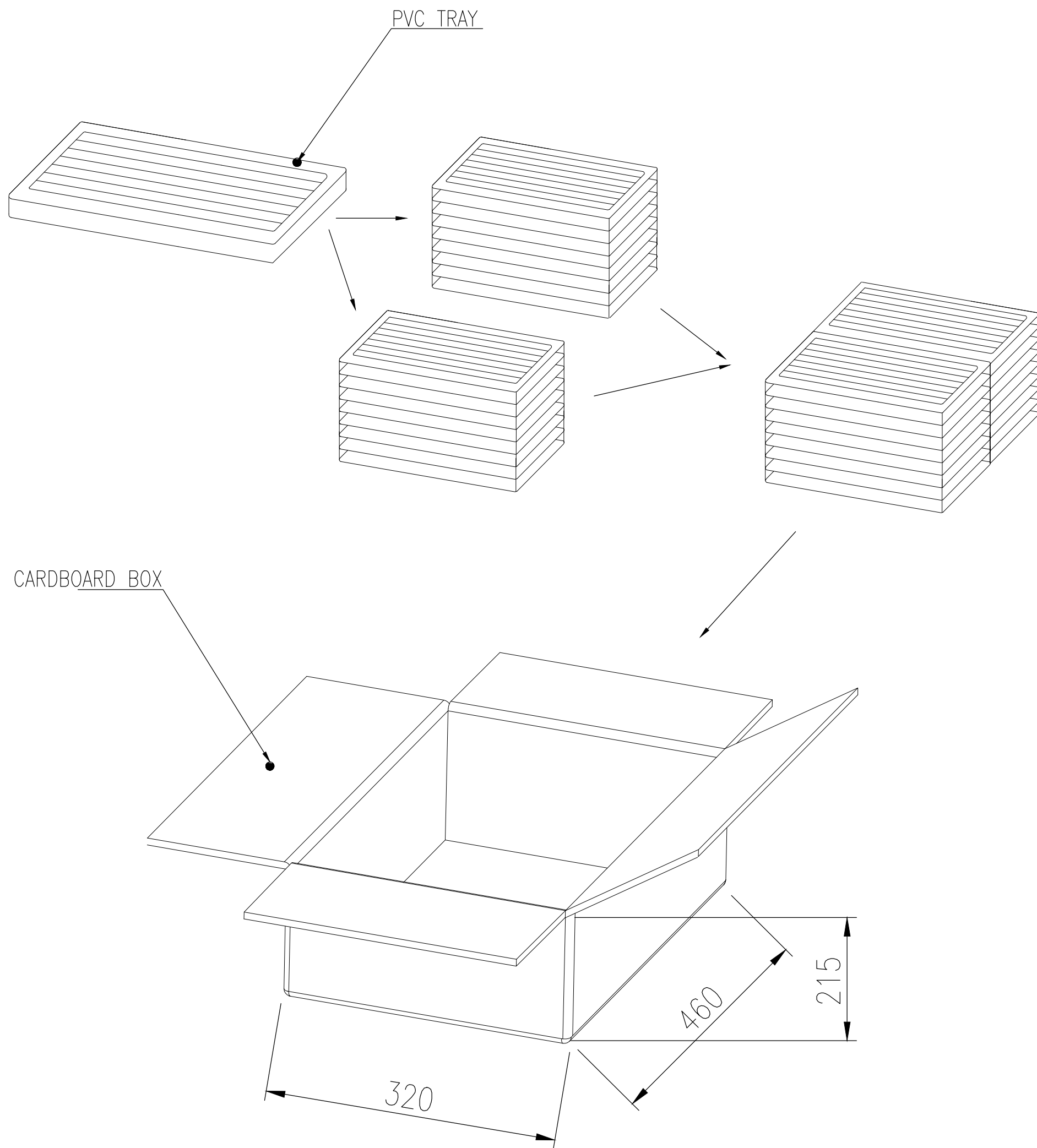


DETAIL A

THIS DRAWING IS A CONTROLLED DOCUMENT.		DWN AJITH PAI 07FEB2017																						
DIMENSIONS: mm		CHK DAN GORENC 07FEB2017																						
TOLERANCES UNLESS OTHERWISE SPECIFIED:		APVD - 07FEB2017	NAME 25 WAY D-SUB SOCKET WITH BOARD LOCK																					
<table border="0"> <tr><td>0 PLC</td><td>±</td><td>-</td></tr> <tr><td>1 PLC</td><td>±</td><td>0.38</td></tr> <tr><td>2 PLC</td><td>±</td><td>0.25</td></tr> <tr><td>3 PLC</td><td>±</td><td>0.10</td></tr> <tr><td>4 PLC</td><td>±</td><td>-</td></tr> <tr><td>ANGLES</td><td>±</td><td>-</td></tr> </table>		0 PLC	±	-	1 PLC	±	0.38	2 PLC	±	0.25	3 PLC	±	0.10	4 PLC	±	-	ANGLES	±	-	PRODUCT SPEC 108-130013	SIZE A2	CAGE CODE 00779	DRAWING NO C=2301846	RESTRICTED TO -
0 PLC	±	-																						
1 PLC	±	0.38																						
2 PLC	±	0.25																						
3 PLC	±	0.10																						
4 PLC	±	-																						
ANGLES	±	-																						
MATERIAL -		FINISH -	WEIGHT 0	SCALE 3:1		SHEET 2 of 3	REV H																	
CUSTOMER DRAWING																								

THIS DRAWING IS UNPUBLISHED. RELEASED FOR PUBLICATION  
 © COPYRIGHT - By - ALL RIGHTS RESERVED.

REVISIONS					
P	LTR	DESCRIPTION	DATE	DWN	APVD
-	-	SEE SHEET 1	-	-	-



14.5	12.48	50	16	800	2301846-1
GROSS WEIGHT (Kg)	NET WEIGHT (Kg)	PCS/TRAY	TRAYS /CARTON	QUANTITY Pcs	PART NUMBER

THIS DRAWING IS A CONTROLLED DOCUMENT.		DWN AJITH PAI 07FEB2017			
DIMENSIONS: mm		CHK DAN GORENC 07FEB2017			
TOLERANCES UNLESS OTHERWISE SPECIFIED:		APVD - 07FEB2017	NAME 25 WAY D-SUB SOCKET WITH BOARD LOCK		
0 PLC ± -		PRODUCT SPEC 108-130013	SIZE A2		
1 PLC ± 0.38		APPLICATION SPEC -	CAGE CODE 00779	DRAWING NO C=2301846	RESTRICTED TO -
2 PLC ± 0.25		WEIGHT 0	SCALE 1:1		
3 PLC ± 0.10		CUSTOMER DRAWING	SHEET 3 of 3	REV H	
4 PLC ± -					
ANGLES ± -					
FINISH -					

2301846

## X-ON Electronics

Largest Supplier of Electrical and Electronic Components

*Click to view similar products for [D-Sub Standard Connectors](#) category:*

*Click to view products by [TE Connectivity](#) manufacturer:*

Other Similar products are found below :

[56F711-015](#) [012-9507-004](#) [LV242999-142T12](#) [015-0341-000](#) [015-0372-005](#) [015-0372-008](#) [015-8755-001](#) [020419-0104](#) [012-0467-000](#) [012-0515-000](#) [012-9507-034](#) [012-9507-114](#) [020745-0008](#) [609-25P](#) [M24308/2-23Z](#) [CT2-14S-2PCA34](#) [CT2-18-11PCAU](#) [CT6-10SL-3SC](#) [CT6-10SL-4SC](#) [CT6-14S-2SC](#) [CT6E14SA7SC](#) [M83513/01-FC](#) [M83723/76W24619 L/C](#) [M85049/48-3-2F](#) [6STD09PCM99B70X](#) [6STD09SCM99B30X](#) [6STD09SCT99S40X](#) [6STD15PCT99S40X](#) [6STD15SCM99B30X](#) [6STD15SCT99S40X](#) [6STF09PCM05B70X](#) [7-135760-9](#) [MC11E-10-6SN](#) [747552-3](#) [MD1-21PS](#) [MDM-15SCBRM7-F222](#) [MDM96517-699](#) [MDM96521-744](#) [MDVB1-21SL1](#) [MIK0-1-7SH003](#) [MIKQ6-7SH076](#) [MIKQ7-7PH077](#) [MIKQ7-7PH11](#) [MIKQ7-7PH32](#) [MJSV-28SL61](#) [MKJ4A1F14-55S](#) [8-135760-3](#) [8STD09PCM99B30X](#) [PG-KV/PV-16-GROM-SEALING](#) [GDA15P](#)