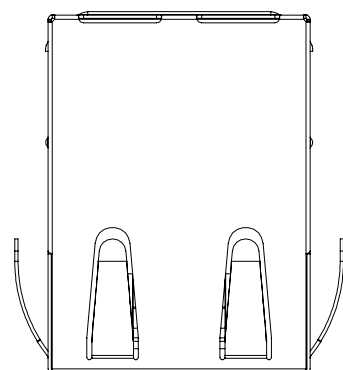
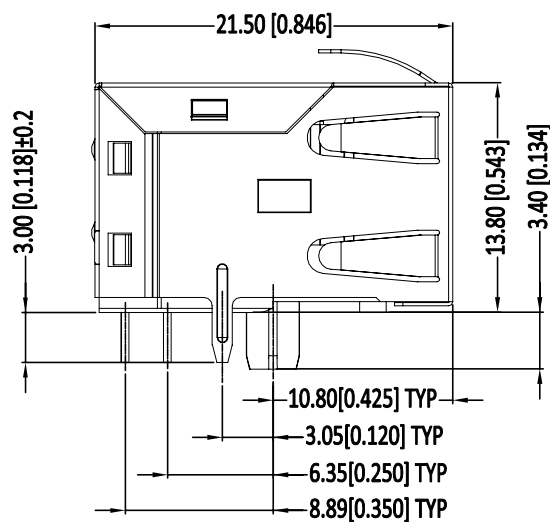
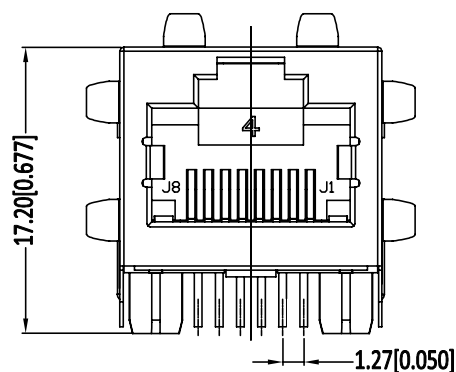
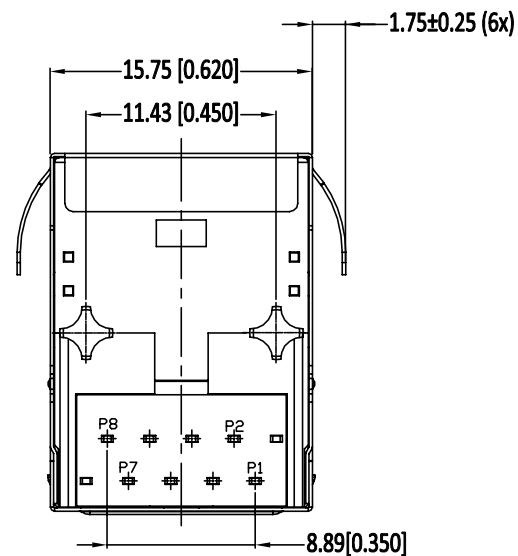
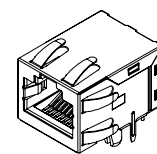


REVISIONS

P	LTR	DESCRIPTION	DATE	DWN	APVD
	B3	RETURN LOSS SPECIFICATION CORRECTED	16APR2021	SS	OW



- 1 CONNECTOR MATERIAL:
 HOUSING: LCP BLACK UL94 V-0
 INSERT: LCP BLACK UL94 V-0
 SHIELD: BRASS
 SHIELD PLATING: NICKEL
 CONTACT: COPPER ALLOY
 CONTACT PLATING: SELECTIVE GOLD, MIN. 0.76µm (30µinch) IN CONTACT AREA
 OVER MIN. 1.27µm (50µinch) NICKEL
 SOLDER PIN PLATING: 3.05µm (120µinch) TIN OVER 1.27µm (50µinch) NICKEL
 OVER ALL
 SHIELDING PIN PLATING: NICKEL
- 2 PIN NOT ELECTRICALLY CONNECTED MAYBE OMITTED SEE ELECTRICAL CIRCUIT DIAGRAM FOR OMITTED PINS
- 3 RJ45 CAVITY DIMENSION CONFORM TO FCC PART 68
- 4 THE PART IS RECOMMENDED FOR REFLOW SOLDERING PROCESS PEAK SOLDERING: TEMPERATURE MAX. +260°C, MAX. 10s
- 5 OPERATING TEMPERATURE: T= -40°C TO +85°C
- 6 STORAGE TEMPERATURE: T= -40°C TO +85°C
- 7 UNLESS OTHERWISE SPECIFIED, SEE TABLE FOR ALL DIMENSIONS TOLERANCES
- 8 JACK CONFIGURATION: 1 x 1
 TAB DIRECTION: UP
- 9 AUTOMATED PLACEMENT: FOR FORCE-FREE ASSEMBLY WITHOUT THE ALIGNMENT FUNCTION WIDEN TO MIN. 3.40 mm DIAMETER
- 10 PACKAGING: REEL (T+R) ACCORDING TO PACKAGING SPECIFICATION 107-18116



1:1

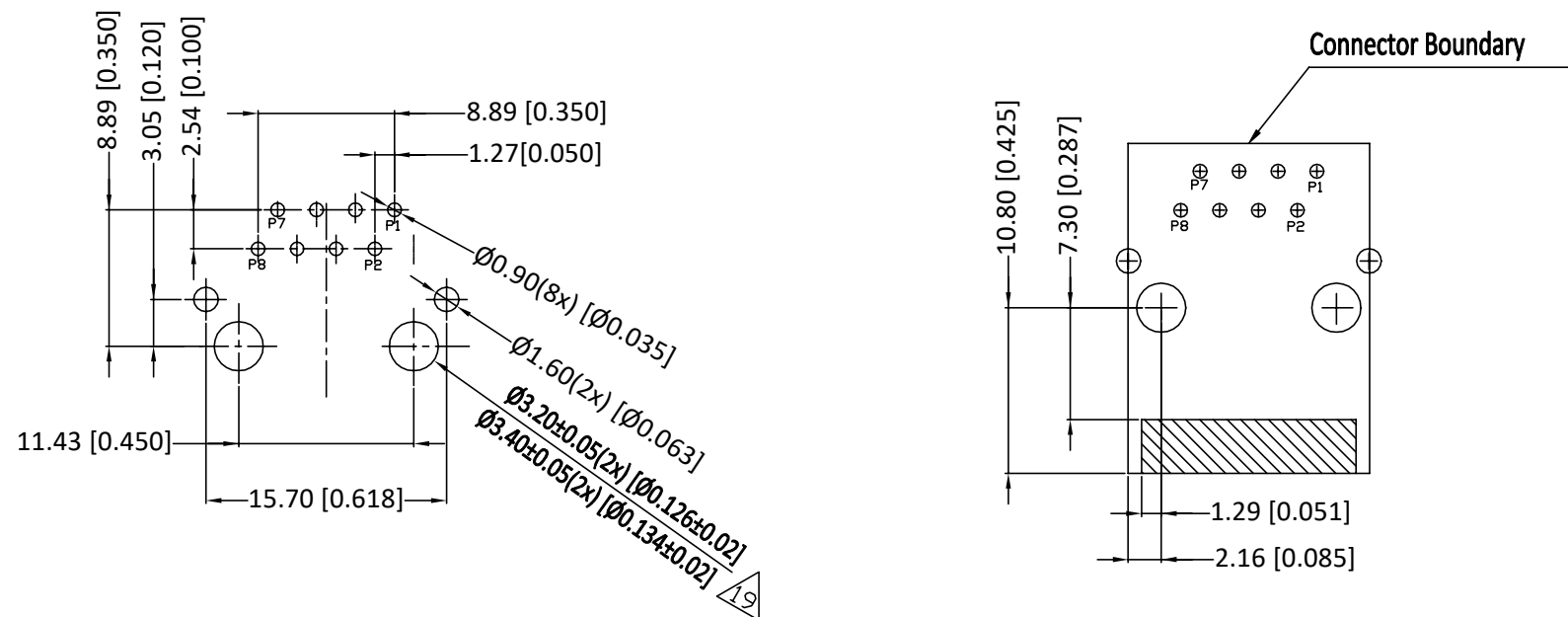
TABLE OF TOLERANCE (mm)	
RANGE	TOLERANCE
0-10	±0.15
>10-40	±0.25
>40-70	±0.30
>70	±0.40

THIS DRAWING IS A CONTROLLED DOCUMENT.		DWN GAMESH C M 16AUG2016	TE Connectivity Ltd.	
		CHK FRANZ MUELLER 16AUG2016		
		APVD MARTIN SZELAG 16AUG2016	NAME RJ45 JACK INT.MAG. 10/100 1x1 INV	
DIMENSIONS: mm [INCHES]		TOLERANCES UNLESS OTHERWISE SPECIFIED:		
		0 PLC ± - 1 PLC ± - 2 PLC ± - 3 PLC ± - 4 PLC ± - ANGLES ± - FINISH ± -		
MATERIAL 		FINISH 		
		PRODUCT SPEC 108-94552		
		APPLICATION SPEC 114-94447		
		WEIGHT A3 00779		DRAWING NO C=2301994-3
		CUSTOMER DRAWING		RESTRICTED TO -
		SCALE 3:1		SHEET 1 of 3
				REV B3

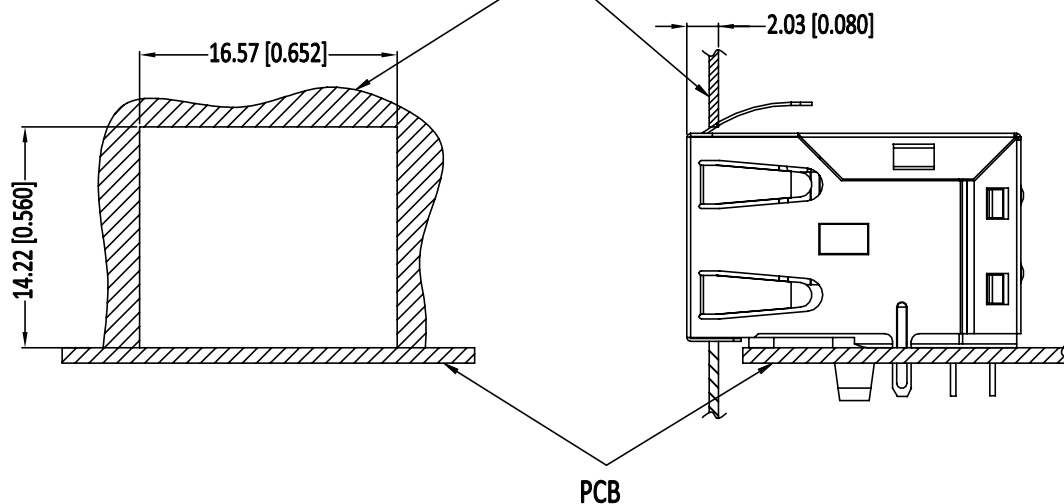
REVISIONS

P	LTR	DESCRIPTION	DATE	DWN	APVD
-	-	SEE SHEET 1	-	-	-

SUGGESTED PCB LAYOUT



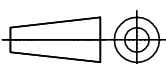
METAL PANEL



UNIT: mm / inch
 TOLERANCES: ±0.10 / 0.004
 ONLY FOR THIS VIEW

THIS DRAWING IS A CONTROLLED DOCUMENT.

DIMENSIONS:
mm [INCHES]



TOLERANCES UNLESS OTHERWISE SPECIFIED:

0 PLC	± -	7
1 PLC	± -	
2 PLC	± -	
3 PLC	± -	
4 PLC	± -	
ANGLES	± -	

MATERIAL



FINISH



DWN 16AUG2016

GAMESH C M

CHK 16AUG2016

FRANZ MUELLER

APVD 16AUG2016

MARTIN SZELAG

PRODUCT SPEC

108-94552

APPLICATION SPEC

114-94447

WEIGHT

CUSTOMER DRAWING



TE Connectivity Ltd.

NAME

RJ45 JACK INT.MAG. 10/100 1x1 INV

SIZE

A3

CAGE CODE

00779

DRAWING NO

C=2301994-3

RESTRICTED TO

-

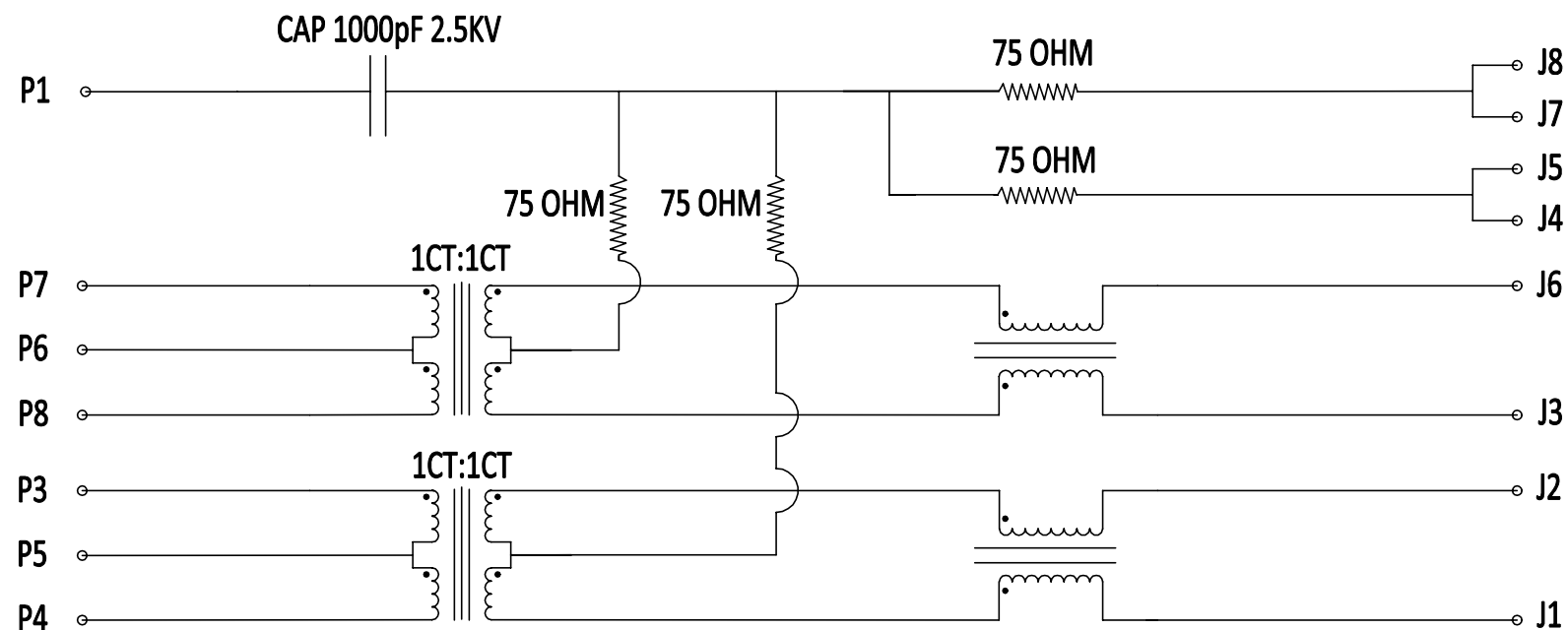
SCALE 3:1

SHEET 2 of 3

REV B3

REVISIONS				
P	LTR	DESCRIPTION	DATE	APVD
-	-	SEE SHEET 1	-	-

ELECTRICAL CIRCUIT DIAGRAM



1. TURN RATIO @100KHz: (P4~P3):(J1~J2) = 1:1±2%
(P8~P7):(J3~J6) = 1:1±2%
2. PRIMARY INDUCTANCE: 350uH MIN. @100KHz, 0.1V 8mA DC BIAS
3. DC RESISTANCE: 1.2 OHMS MAX.
4. INSERTION LOSS: 1-100MHz -1.2dB MAX.
5. RETURN LOSS: 1-30MHz -16dB MIN.
30-60MHz -16dB+20log(f/30MHz) MIN.
60-80MHz -10dB MIN.
6. CROSS TALK: 1-100MHz -30dB MIN.
7. COMMON TO COMMON MODE ATTENUATION: 1-100MHz -30dB MIN.
8. ISOLATION: PHY SIDE TO LINE SIDE: 2250VDC



CONTROL CODE

DATE CODE

"0213"

YY-YEAR

WW-WEEK

FCC

THIS DRAWING IS A CONTROLLED DOCUMENT.		DWN GAMESH C M 16AUG2016	TE Connectivity Ltd.	
		CHK FRANZ MUELLER 16AUG2016		
DIMENSIONS: mm [INCHES]		APVD MARTIN SZELAG 16AUG2016	NAME RJ45 JACK INT.MAG. 10/100 1x1 INV	
		PRODUCT SPEC 108-94552		
		APPLICATION SPEC 114-94447		
MATERIAL 		WEIGHT A3 00779	SIZE A3	CAGE CODE 00779
FINISH 		DRAWING NO C=2301994-3		RESTRICTED TO -
CUSTOMER DRAWING			SCALE 3:1	SHEET 3 of 3
			REV B3	

X-ON Electronics

Largest Supplier of Electrical and Electronic Components

Click to view similar products for [Modular Connectors / Ethernet Connectors](#) category:

Click to view products by [TE Connectivity](#) manufacturer:

Other Similar products are found below :

[8949-H88/06BLKA/SN](#) [74441-0010/BKN](#) [MP1010RX-1000](#) [MP44RX-1000](#) [PHJ-4P4C-1-V-4](#) [PHP-6P6C-5](#) [GAX-3-66](#) [GAX-8-62](#) [GDCX-PA-66-50](#) [GDCX-PN-64](#) [GDCX-PN-66](#) [GDCX-PN-66-50](#) [GDLX-A-66](#) [GDLX-N-66](#) [GDLX-S-66](#) [GDLX-S-88K](#) [GDTX-S-88-50](#) [GDX-PA-1010](#) [GLX-N-1010M-BLK](#) [GLX-S-88M-BLK](#) [GMX-N-1010](#) [GMX-S-1010](#) [GMX-S-66](#) [GMX-SMT4-N-88](#) [GPX-2-64](#) [GSGX-N-2-88](#) [GSGX-N-4-88](#) [GSX-NS2-88-3.05](#) [GSX-NS2-88-3.05-50](#) [GSX-NS-88-3.05-50](#) [PT-108A-8C-UL](#) [PT-J951-8C](#) [PTS-J531-8CS-50UL](#) [1-1775629-2](#) [A-2014-0-4](#) [GWLX-S-88-GR](#) [GWLX-S9-88-YG](#) [DC-1021-8-WH-6](#) [1300530003](#) [1324640-4](#) [RJ11FTVC2G](#) [RJ11FTVC2N](#) [RJFTVX2SA1G](#) [132764-001](#) [1413235](#) [MP88X-1000](#) [MPS88RX-5000](#) [E5288-S000K3-L](#) [E5908-15A242-L](#) [155302-001](#)