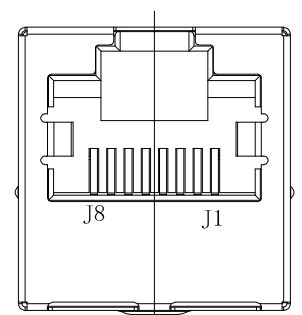
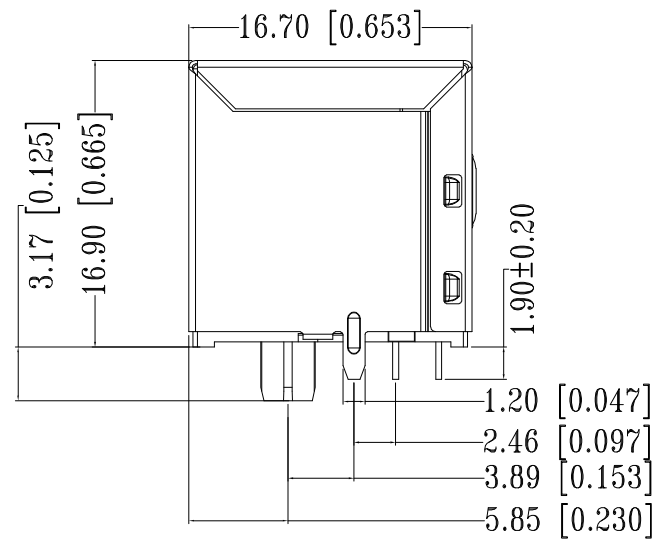
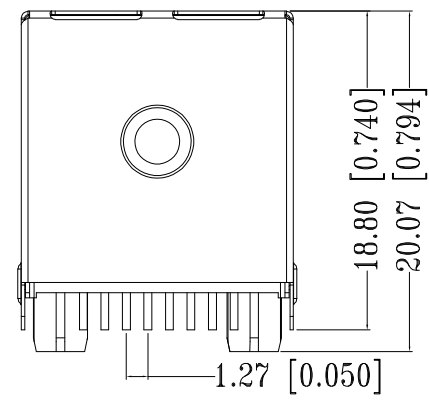
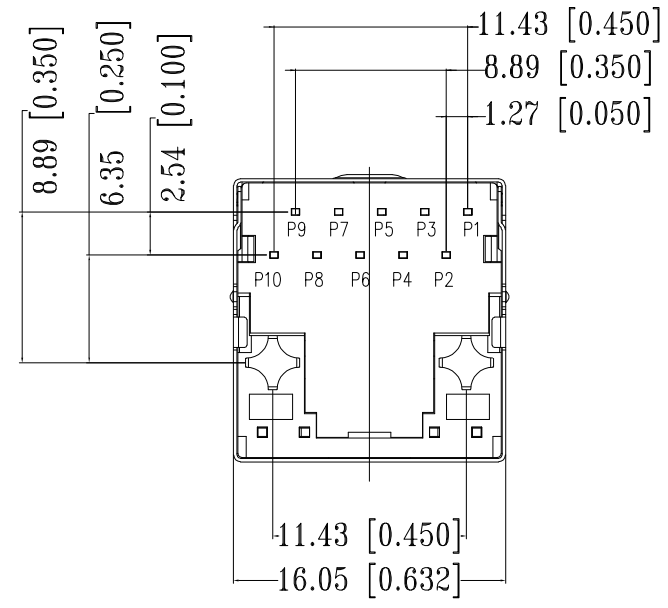
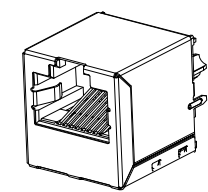


THIS DRAWING IS UNPUBLISHED  
 RELEASED FOR PUBLICATION - .2017.  
 © COPYRIGHT - 2017 by TE Connectivity Germany GmbH ALL RIGHTS RESERVED.

REVISIONS				
P	LTR	DESCRIPTION	DATE	APVD
	A1	NEW RELEASE	09MAR2017	GCMMSZ



- △ CONNECTOR MATERIAL:  
 HOUSING: LCP BLACK UL94 V-0  
 INSERT: LCP BLACK UL94 V-0  
 SHIELD: BRASS  
 SHIELD PLATING: NICKEL  
 CONTACT: COPPER ALLOY  
 CONTACT PLATING: SELECTIVE GOLD, MIN. 0.76µm (30µinch) IN CONTACT AREA  
 OVER MIN. 1.27µm (50µinch) NICKEL  
 SOLDER PIN PLATING: 3.05µm (120µinch) TIN OVER 1.02µm (40µinch) NICKEL  
 OVER ALL  
 SHIELDING PIN PLATING: NICKEL
- 2 PIN NOT ELECTRICALLY CONNECTED MAYBE OMITTED SEE ELECTRICAL CIRCUIT DIAGRAM FOR OMITTED PINS
- 3 RJ45 CAVITIES CONFORM TO FCC RULES AND REGULATION PART 68
- 4 THE PART IS RECOMMENDED FOR REFLOW SOLDERING PROCESS PEAK  
 SOLDERING: TEMPERATURE MAX. +260° C, MAX. 10s
- 5 OPERATING TEMPERATURE: T= -40° C TO +85° C
- 6 STORAGE TEMPERATURE: T= -40° C TO +85° C
- △ UNLESS OTHERWISE SPECIFIED, SEE TABLE FOR ALL DIMENSIONS TOLERANCES
- 8 JACK CONFIGURATION: 1 x 1  
 TAB DIRECTION: UP
- 9 PACKAGING: REEL (T+R) ACCORDING TO PACKAGING SPECIFICATION 107-18116



1:1

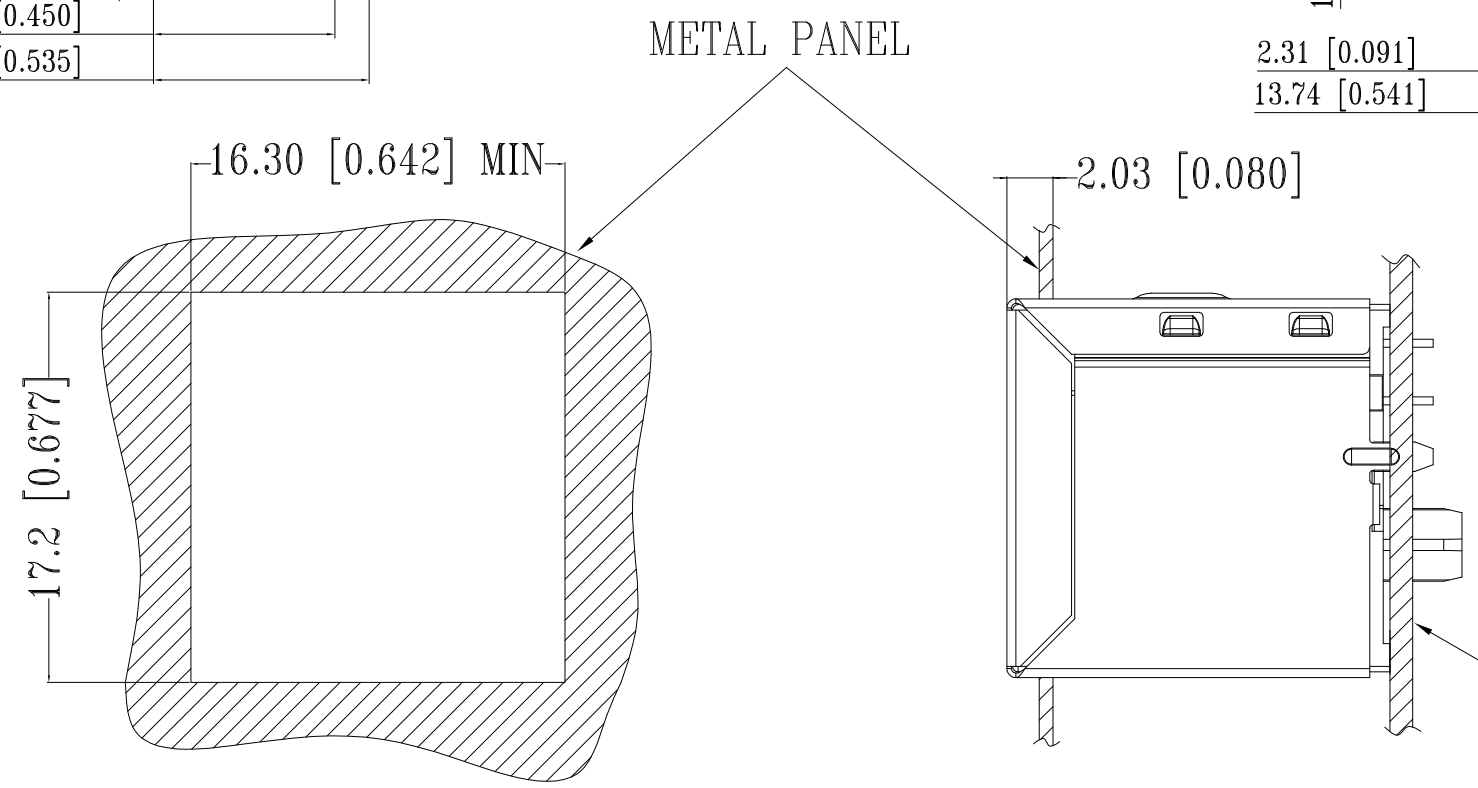
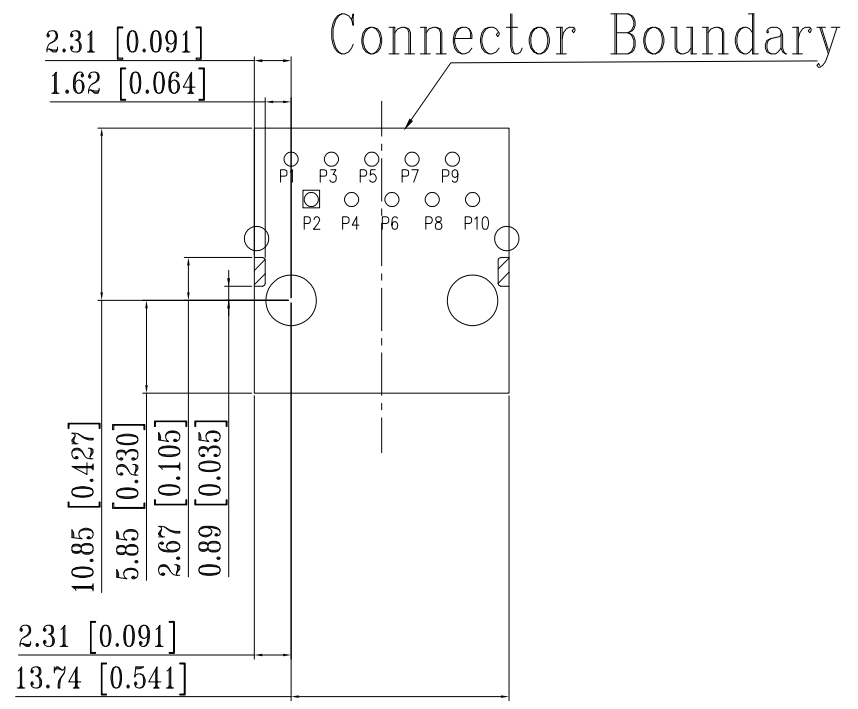
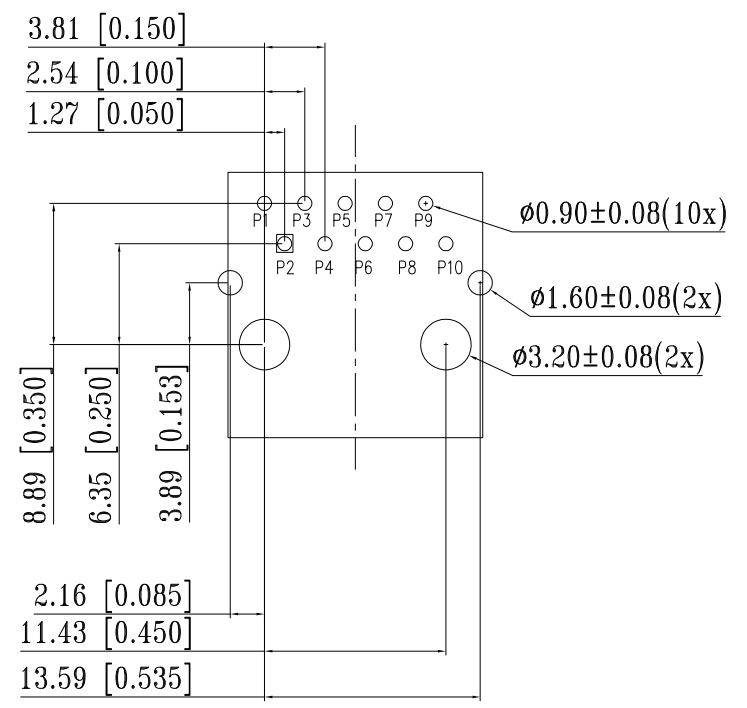
TABLE OF TOLERANCE (mm)	
RANGE	TOLERANCE
0-10	±0.15
>10-40	±0.25
>40-70	±0.30
>70	±0.40

THIS DRAWING IS A CONTROLLED DOCUMENT.		DWN 27AUG2016 GANESH C M																
DIMENSIONS: mm [INCHES]		CHK 27AUG2016 FRANZ MUELLER																
TOLERANCES UNLESS OTHERWISE SPECIFIED:		APVD 27AUG2016 MARTIN SZELAG	NAME RJ45 JACK INT.MAG. 1Gb 1x1 VERT															
<table border="0"> <tr> <td>0 PLC</td><td>± -</td><td rowspan="5">△ 7</td> </tr> <tr> <td>1 PLC</td><td>± -</td> </tr> <tr> <td>2 PLC</td><td>± -</td> </tr> <tr> <td>3 PLC</td><td>± -</td> </tr> <tr> <td>4 PLC</td><td>± -</td> </tr> <tr> <td>ANGLES</td><td>± -</td><td></td> </tr> </table>		0 PLC	± -	△ 7	1 PLC	± -	2 PLC	± -	3 PLC	± -	4 PLC	± -	ANGLES	± -		PRODUCT SPEC 108-94552	SIZE A3	
0 PLC	± -	△ 7																
1 PLC	± -																	
2 PLC	± -																	
3 PLC	± -																	
4 PLC	± -																	
ANGLES	± -																	
MATERIAL △ 1		FINISH △ 1	APPLICATION SPEC 114-94447	CAGE CODE 00779														
			WEIGHT -	DRAWING NO 2301995-1														
CUSTOMER DRAWING			RESTRICTED TO -	SCALE 3:1														
			SHEET 1 of 3	REV A1														

THIS DRAWING IS UNPUBLISHED  
 RELEASED FOR PUBLICATION - ,2017.  
 © COPYRIGHT - 2017 by TE Connectivity Germany GmbH ALL RIGHTS RESERVED.

REVISIONS				
P	LTR	DESCRIPTION	DATE	APVD
-	-	SEE SHEET 1	-	-

### SUGGESTED PCB LAYOUT



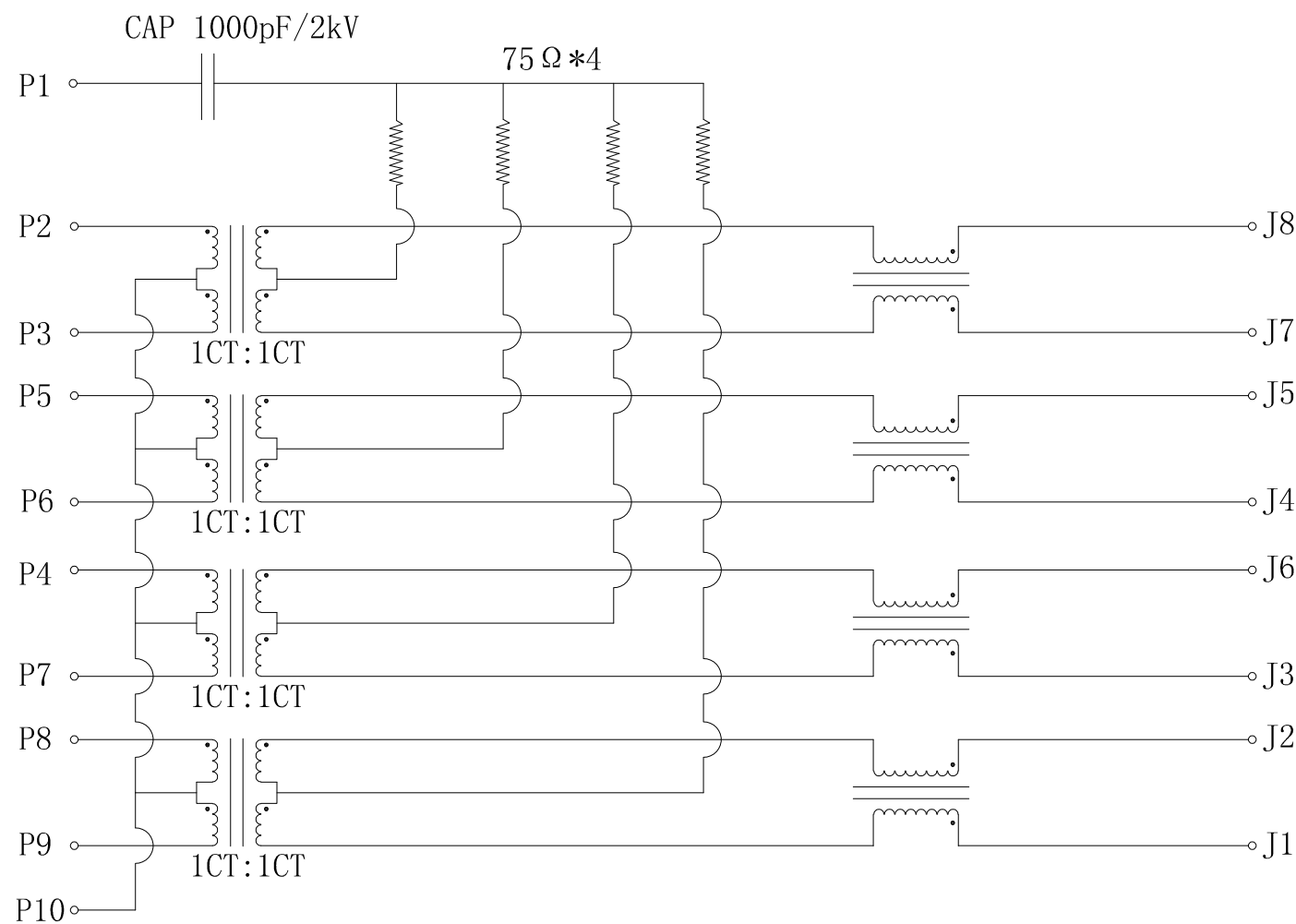
UNIT: mm / inch  
 TOLERANCES:  $\pm 0.10 / 0.004$

THIS DRAWING IS A CONTROLLED DOCUMENT.		DWN GANESH C M 27AUG2016	TE Connectivity																
DIMENSIONS: mm [INCHES]		CHK FRANZ MUELLER 27AUG2016																	
TOLERANCES UNLESS OTHERWISE SPECIFIED:		APVD MARTIN SZELAG 27AUG2016	NAME RJ45 JACK INT.MAG. 1Gb 1x1 VERT																
<table border="0"> <tr> <td>0 PLC</td> <td><math>\pm -</math></td> <td rowspan="4"> </td> </tr> <tr> <td>1 PLC</td> <td><math>\pm -</math></td> </tr> <tr> <td>2 PLC</td> <td><math>\pm -</math></td> </tr> <tr> <td>3 PLC</td> <td><math>\pm -</math></td> </tr> <tr> <td>4 PLC</td> <td><math>\pm -</math></td> <td></td> </tr> <tr> <td>ANGLES</td> <td><math>\pm -</math></td> <td></td> </tr> </table>		0 PLC	$\pm -$		1 PLC	$\pm -$	2 PLC	$\pm -$	3 PLC	$\pm -$	4 PLC	$\pm -$		ANGLES	$\pm -$		PRODUCT SPEC 108-94552	-	
0 PLC	$\pm -$																		
1 PLC	$\pm -$																		
2 PLC	$\pm -$																		
3 PLC	$\pm -$																		
4 PLC	$\pm -$																		
ANGLES	$\pm -$																		
MATERIAL		APPLICATION SPEC 114-94447	SIZE A3	CAGE CODE 00779	DRAWING NO C-2301995-1														
FINISH		WEIGHT 0	RESTRICTED TO -																
CUSTOMER DRAWING			SCALE 3:1	SHEET 2 OF 3	REV A1														

REVISIONS

P	LTR	DESCRIPTION	DATE	DWN	APVD
-	-	SEE SHEET 1	-	-	-

ELECTRICAL CIRCUIT DIAGRAM



- 1.0 Turn Ratio @100kHz: (P9~P8):(J1~J2) = 1:1±2%  
(P7~P4):(J3~J6) = 1:1±2%  
(P6~P5):(J4~J5) = 1:1±2%  
(P3~P2):(J7~J8) = 1:1±2%
- 2.0 Primary Inductance: 350µH MIN. @100kHz, 0.1V 8mA DC BIAS
- 3.0 DC Resistance: 1.2 OHMS MAX.
- 4.0 Insertion Loss: 1-100MHz -1.0dB MAX.  
100-125MHz -1.2dB MAX.
- 5.0 Return Loss: 1-40MHz -16dB MIN.  
40-60MHz -12dB MIN.  
60-80MHz -10dB MIN.  
80-100MHz -8dB MIN.
- 6.0 CROSS TALK: 1-100MHz -30dB MIN.
- 7.0 COMMON TO COMMON MODE ATTENUATION: 1-100MHz -30dB MIN.
- 8.0 Isolation: PHY Side to Line Side: 2250VDC

2301995-1  
WWYY-xxxx

**TE**

FCC

CONTROL CODE  
DATE CODE  
"0213"

YY-YEAR  
WW-WEEK

THIS DRAWING IS A CONTROLLED DOCUMENT.		DWN GANESH C M 27AUG2016	<b>TE</b> TE Connectivity		
DIMENSIONS: mm [INCHES]		CHK FRANZ MUELLER 27AUG2016			
TOLERANCES UNLESS OTHERWISE SPECIFIED:		APVD MARTIN SZELAG 27AUG2016	NAME RJ45 JACK INT.MAG. 1Gb 1x1 VERT		
0 PLC ± - 1 PLC ± - 2 PLC ± - 3 PLC ± - 4 PLC ± - ANGLES ± -		PRODUCT SPEC 108-94552	SIZE A3		
MATERIAL 1		FINISH 1	APPLICATION SPEC 114-94447	CAGE CODE 00779	DRAWING NO C-2301995-1
		RESTRICTED TO -	WEIGHT 0	SCALE 3:1	SHEET 3 OF 3
CUSTOMER DRAWING			REV A1		

## X-ON Electronics

Largest Supplier of Electrical and Electronic Components

*Click to view similar products for [Modular Connectors / Ethernet Connectors](#) category:*

*Click to view products by [TE Connectivity](#) manufacturer:*

Other Similar products are found below :

[8949-H88/06BLKA/SN](#) [74441-0010/BKN](#) [MP1010RX-1000](#) [MP44RX-1000](#) [PHJ-4P4C-1-V-4](#) [PHP-6P6C-5](#) [GAX-3-66](#) [GAX-8-62](#) [GDCX-PA-66-50](#) [GDCX-PN-64](#) [GDCX-PN-66](#) [GDCX-PN-66-50](#) [GDLX-A-66](#) [GDLX-N-66](#) [GDLX-S-66](#) [GDLX-S-88K](#) [GDTX-S-88-50](#) [GDX-PA-1010](#) [GLX-N-1010M-BLK](#) [GLX-S-88M-BLK](#) [GMX-N-1010](#) [GMX-S-1010](#) [GMX-S-66](#) [GMX-SMT4-N-88](#) [GPX-2-64](#) [GSGX-N-2-88](#) [GSGX-N-4-88](#) [GSX-NS2-88-3.05](#) [GSX-NS2-88-3.05-50](#) [GSX-NS-88-3.05-50](#) [PT-108A-8C-UL](#) [PT-J951-8C](#) [PTS-J531-8CS-50UL](#) [1-1775629-2](#) [A-2014-0-4](#) [GWLX-S-88-GR](#) [GWLX-S9-88-YG](#) [DC-1021-8-WH-6](#) [1300530003](#) [1324640-4](#) [RJ11FTVC2G](#) [RJ11FTVC2N](#) [RJFTVX2SA1G](#) [132764-001](#) [1413235](#) [MP88X-1000](#) [MPS88RX-5000](#) [E5288-S000K3-L](#) [E5908-15A242-L](#) [155302-001](#)