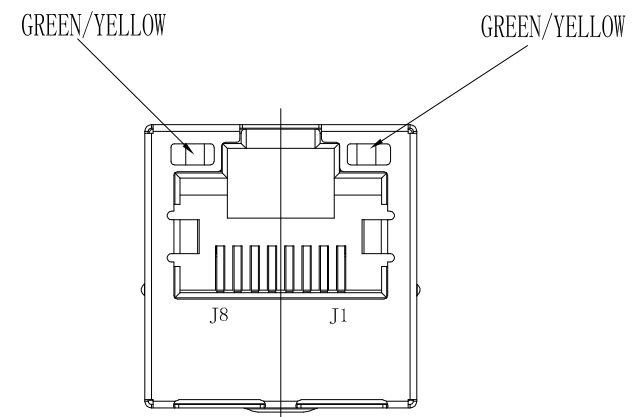
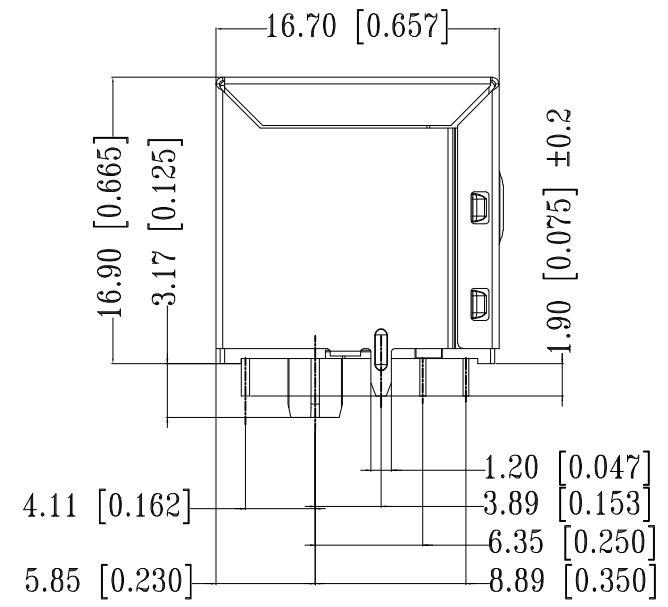
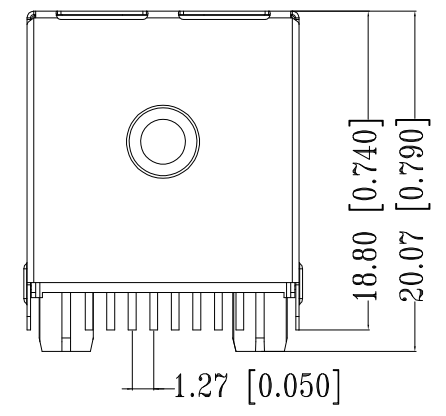
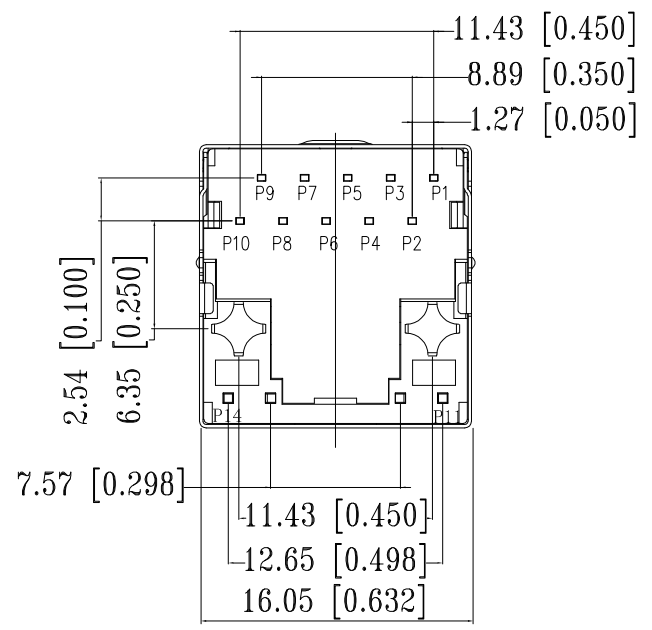
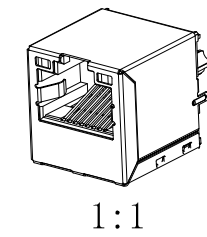


THIS DRAWING IS UNPUBLISHED
 RELEASED FOR PUBLICATION
 - .2017.
 ALL RIGHTS RESERVED.

| REVISIONS | | | | |
|-----------|-----|-------------|-----------|----------|
| P | LTR | DESCRIPTION | DATE | DWN APVD |
| | A1 | New Release | 09MAR2017 | GCMMSZ |



- 1 CONNECTOR MATERIAL:
 HOUSING: LCP BLACK UL94 V-0
 INSERT: LCP BLACK UL94 V-0
 SHIELD: BRASS
 SHIELD PLATING: NICKEL
 CONTACT: COPPER ALLOY
 CONTACT PLATING: SELECTIVE GOLD, MIN. 0.76µm (30µinch) IN CONTACT AREA
 OVER MIN. 1.27µm (50µinch) NICKEL
 SOLDER PIN PLATING: 3.05µm (120µinch) TIN OVER 1.02µm (40µinch) NICKEL
 OVER ALL
 SHIELDING PIN PLATING: NICKEL
- 2 PIN NOT ELECTRICALLY CONNECTED MAYBE OMITTED SEE ELECTRICAL CIRCUIT DIAGRAM FOR OMITTED PINS
- 3 RJ45 CAVITIES CONFORM TO FCC RULES AND REGULATION PART 68
- 4 THE PART IS RECOMMENDED FOR REFLOW SOLDERING PROCESS PEAK SOLDERING: TEMPERATURE MAX. +260° C, MAX. 10s
- 5 OPERATING TEMPERATURE: T= -40° C TO +85° C
- 6 STORAGE TEMPERATURE: T= -40° C TO +85° C
- 7 UNLESS OTHERWISE SPECIFIED, SEE TABLE FOR ALL DIMENSIONS TOLERANCES
- 8 JACK CONFIGURATION: 1 x 1
 TAB DIRECTION: UP
- 9 PACKAGING: REEL (T+R) ACCORDING TO PACKAGING SPECIFICATION 107-18116



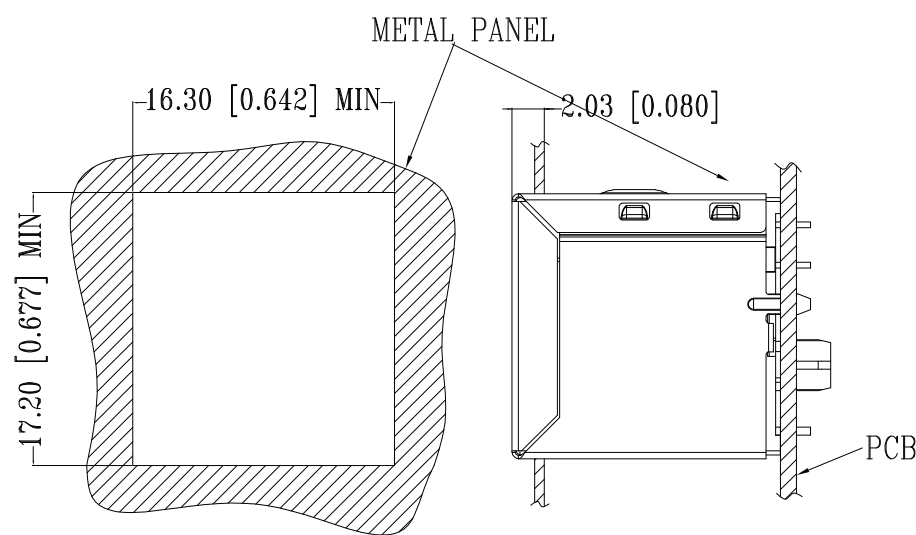
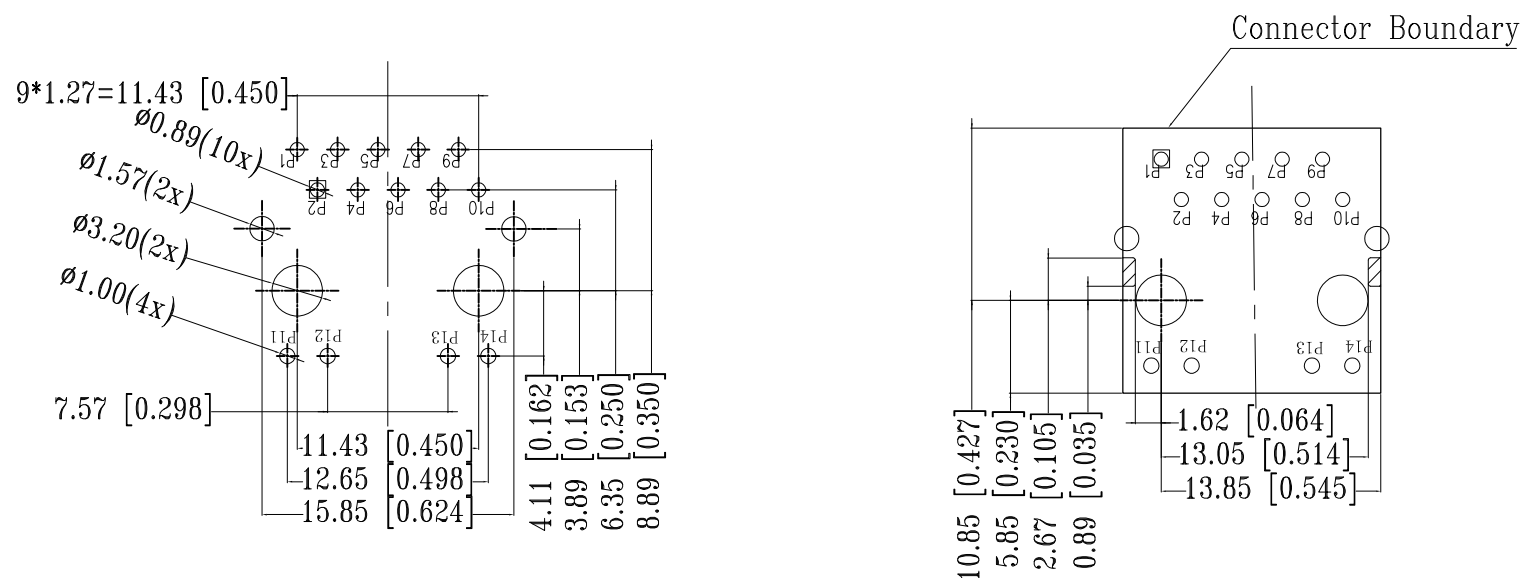
| TABLE OF TOLERANCE (mm) | |
|-------------------------|-----------|
| RANGE | TOLERANCE |
| 0-10 | ±0.15 |
| >10-40 | ±0.25 |
| >40-70 | ±0.30 |
| >70 | ±0.40 |

| | | | | |
|--|--|---------------------------------|---|---------------------------|
| THIS DRAWING IS A CONTROLLED DOCUMENT. | | DWN 27AUG2016 GANESH C M | | |
| DIMENSIONS: mm [INCHES] | | CHK 27AUG2016 FRANZ MUELLER | | |
| TOLERANCES UNLESS OTHERWISE SPECIFIED: | | APVD 27AUG2016 MARTIN SZELAG | NAME RJ45 JACK INT.MAG. 1Gb LED 1x1 VERT | |
| | | PRODUCT SPEC 108-94552 | SIZE A3 | |
| | | APPLICATION SPEC 114-94447 | CAGE CODE 00779 | DRAWING NO C-2301995-4 |
| MATERIAL | | WEIGHT - | RESTRICTED TO - | |
| FINISH | | CUSTOMER DRAWING | | SCALE 3:1 |
| | | | | SHEET 1 of 3 |
| | | | | REV A1 |


REVISIONS

| P | LTR | DESCRIPTION | DATE | DWN | APVD |
|---|-----|-------------|------|-----|------|
| - | - | SEE SHEET 1 | - | - | - |

SUGGESTED PCB LAYOUT



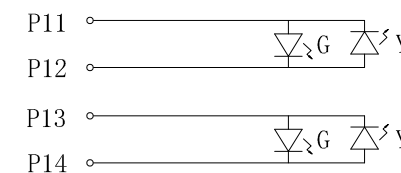
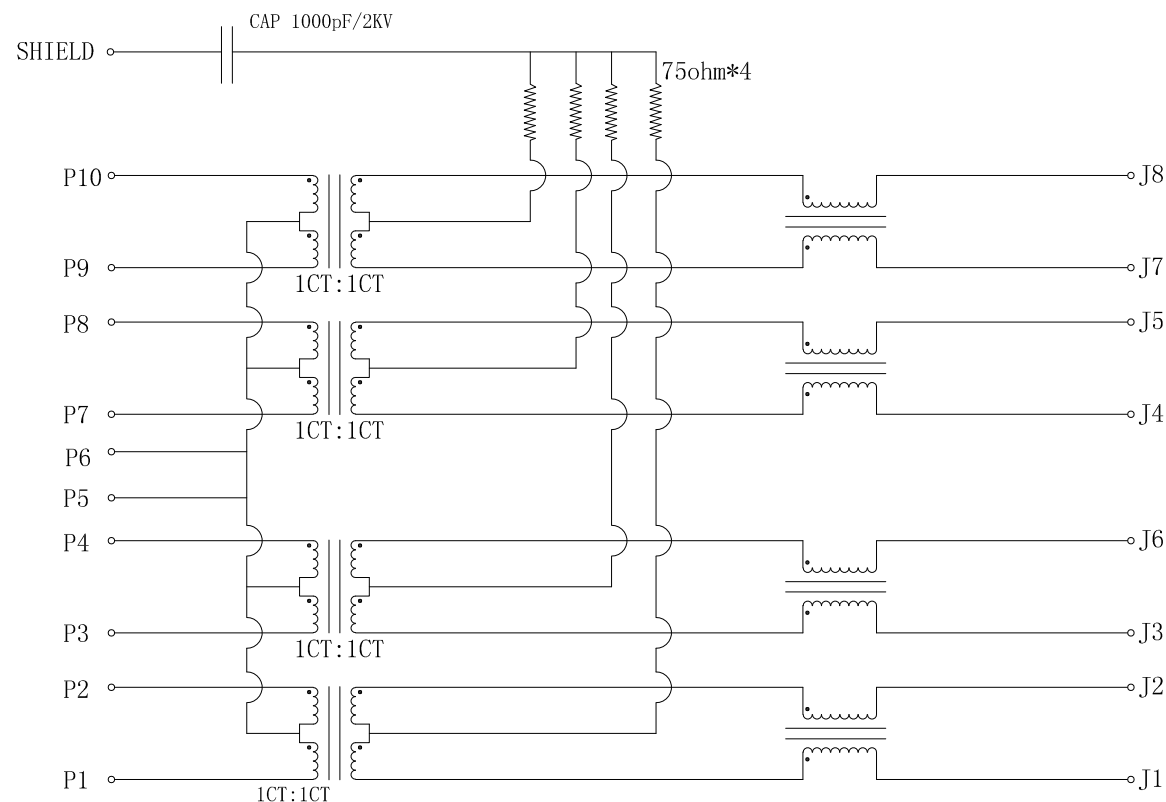
UNIT: mm / inch
TOLERANCES: ±0.10 / 0.004

| | | | | | | |
|---|--|------------------------------------|---|--------------------|---------------------------|--------------------|
| THIS DRAWING IS A CONTROLLED DOCUMENT. | | DWN GANESH C M 27AUG2016 |  TE Connectivity | | | |
| DIMENSIONS: mm [INCHES] | | CHK FRANZ MUELLER 27AUG2016 | | | | |
| TOLERANCES UNLESS OTHERWISE SPECIFIED: | | APVD MARTIN SZELAG 27AUG2016 | NAME RJ45 JACK INT.MAG. 1Gb LED 1x1 VERT | | | |
| <ul style="list-style-type: none"> 0 PLC ± - 1 PLC ± - 2 PLC ± - 3 PLC ± - 4 PLC ± - ANGLES ± - | | PRODUCT SPEC 108-94552 | - | | | |
| MATERIAL | | APPLICATION SPEC 114-94447 | SIZE A3 | CAGE CODE 00779 | DRAWING NO C-2301995-4 | RESTRICTED TO - |
| FINISH | | WEIGHT 0 | SCALE 3:1 | | SHEET 2 OF 3 | REV A1 |
| | | CUSTOMER DRAWING | | | | |

REVISIONS

| P | LTR | DESCRIPTION | DATE | DWN | APVD |
|---|-----|-------------|------|-----|------|
| - | - | SEE SHEET 1 | - | - | - |

ELECTRICAL CIRCUIT DIAGRAM



| Pin | Green | Yellow | | Green | Yellow |
|-----|-------|--------|-----|-------|--------|
| P11 | + | - | P13 | + | - |
| P12 | - | + | P14 | - | + |

- 1.0 Turn Ratio @100KHZ: (P1~P2):(J1~J2) = 1:1±2%
(P3~P4):(J3~J6) = 1:1±2%
(P7~P8):(J4~J5) = 1:1±2%
(P9~P10):(J7~J8) = 1:1±2%
- 2.0 Primary Inductance: 350uH MIN @100KHZ,0.1V 8mA DC BIAS
- 3.0 DC Resistance: 1.2 OHMS MAX
- 4.0 Insertion Loss: 1-100MHz -1.0dB MAX
100-125MHz -1.2dB MAX
- 5.0 Return Loss: 1-40MHz -16dB MIN
40-60MHz -12dB MIN
60-80MHz -10dB MIN
80-100MHz -8dB MIN
- 6.0 CROSS TALK: 1-100MHz -30dB MIN
- 7.0 COMMON TO COMMON MODE ATTENUATION: 1-100MHz -30dB MIN
- 8.0 Isolation: PHY Side to Line Side: 2250VDC

2301995-4
WWYY-xxxx

TE

FCC

CONTROL CODE
DATE CODE
"0213"

YY-YEAR
WW-WEEK

| | | | | | |
|--|--|------------------------------|--|--|--|
| THIS DRAWING IS A CONTROLLED DOCUMENT. | | DWN GANESH C M 27AUG2016 | TE TE Connectivity | | |
| DIMENSIONS: mm [INCHES] | | CHK FRANZ MUELLER 27AUG2016 | | | |
| TOLERANCES UNLESS OTHERWISE SPECIFIED: | | APVD MARTIN SZELAG 27AUG2016 | NAME RJ45 JACK INT.MAG. 1Gb LED 1x1 VERT | | |
| 0 PLC ± - | | PRODUCT SPEC 108-94552 | SIZE CAGE CODE DRAWING NO RESTRICTED TO | | |
| 1 PLC ± - | | APPLICATION SPEC 114-94447 | A3 00779 C-2301995-4 | | |
| 2 PLC ± - | | WEIGHT 0 | SCALE 3:1 SHEET 3 OF 3 REV A1 | | |
| 3 PLC ± - | | CUSTOMER DRAWING | | | |
| 4 PLC ± - | | | | | |
| ANGLES ± - | | | | | |
| MATERIAL 1 | | | | | |
| FINISH 1 | | | | | |

X-ON Electronics

Largest Supplier of Electrical and Electronic Components

Click to view similar products for [Modular Connectors / Ethernet Connectors](#) category:

Click to view products by [TE Connectivity](#) manufacturer:

Other Similar products are found below :

[8949-H88/06BLKA/SN](#) [74441-0010/BKN](#) [MP1010RX-1000](#) [MP44RX-1000](#) [PHJ-4P4C-1-V-4](#) [PHP-6P6C-5](#) [GAX-3-66](#) [GAX-8-62](#) [GDCX-PA-66-50](#) [GDCX-PN-64](#) [GDCX-PN-66](#) [GDCX-PN-66-50](#) [GDLX-A-66](#) [GDLX-N-66](#) [GDLX-S-66](#) [GDLX-S-88K](#) [GDTX-S-88-50](#) [GDX-PA-1010](#) [GLX-N-1010M-BLK](#) [GLX-S-88M-BLK](#) [GMX-N-1010](#) [GMX-S-1010](#) [GMX-S-66](#) [GMX-SMT4-N-88](#) [GPX-2-64](#) [GSGX-N-2-88](#) [GSGX-N-4-88](#) [GSX-NS2-88-3.05](#) [GSX-NS2-88-3.05-50](#) [GSX-NS-88-3.05-50](#) [PT-108A-8C-UL](#) [PT-J951-8C](#) [PTS-J531-8CS-50UL](#) [1-1775629-2](#) [A-2014-0-4](#) [GWLX-S-88-GR](#) [GWLX-S9-88-YG](#) [DC-1021-8-WH-6](#) [1300530003](#) [1324640-4](#) [RJ11FTVC2G](#) [RJ11FTVC2N](#) [RJFTVX2SA1G](#) [132764-001](#) [1413235](#) [MP88X-1000](#) [MPS88RX-5000](#) [E5288-S000K3-L](#) [E5908-15A242-L](#) [155302-001](#)