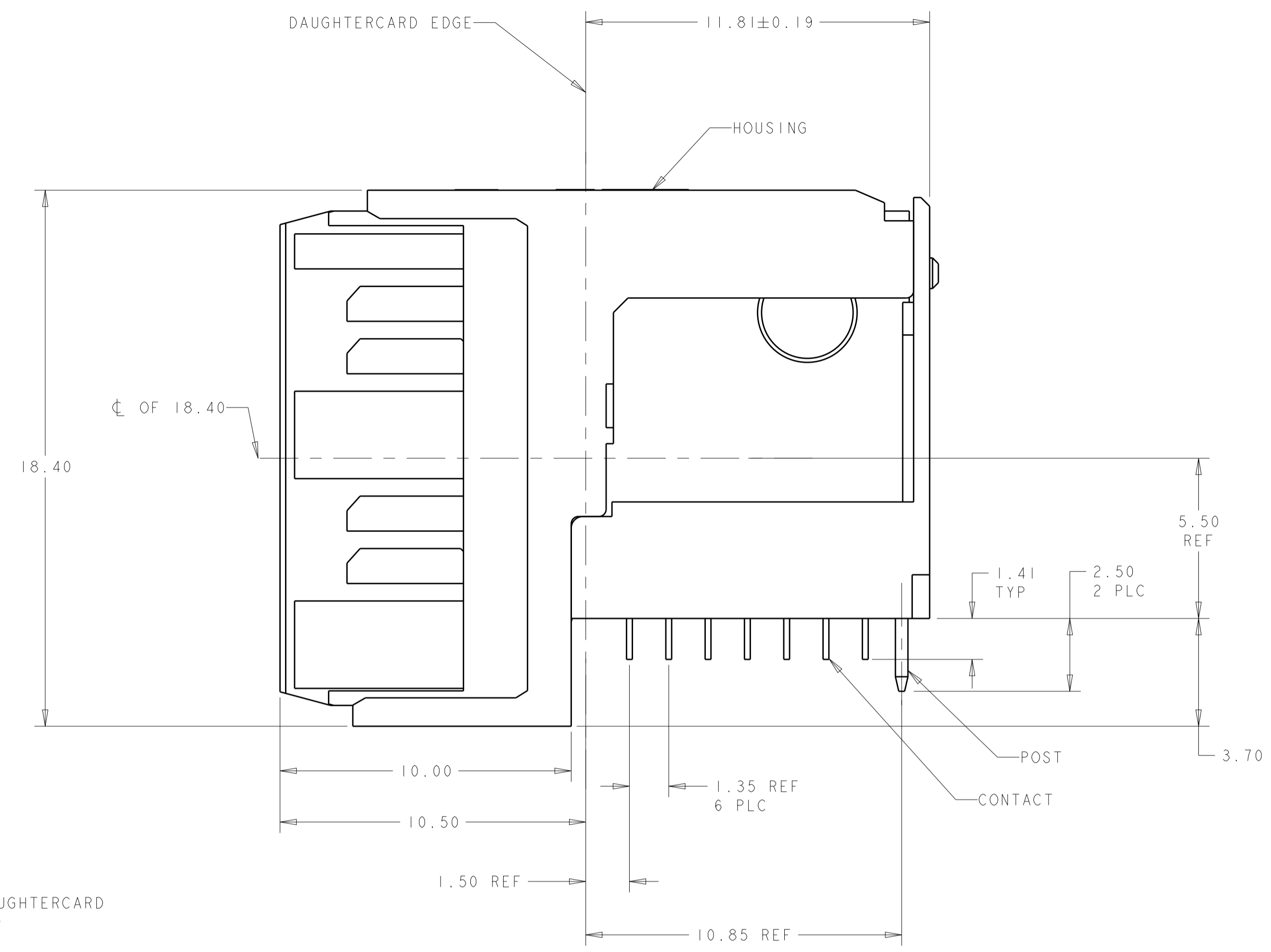
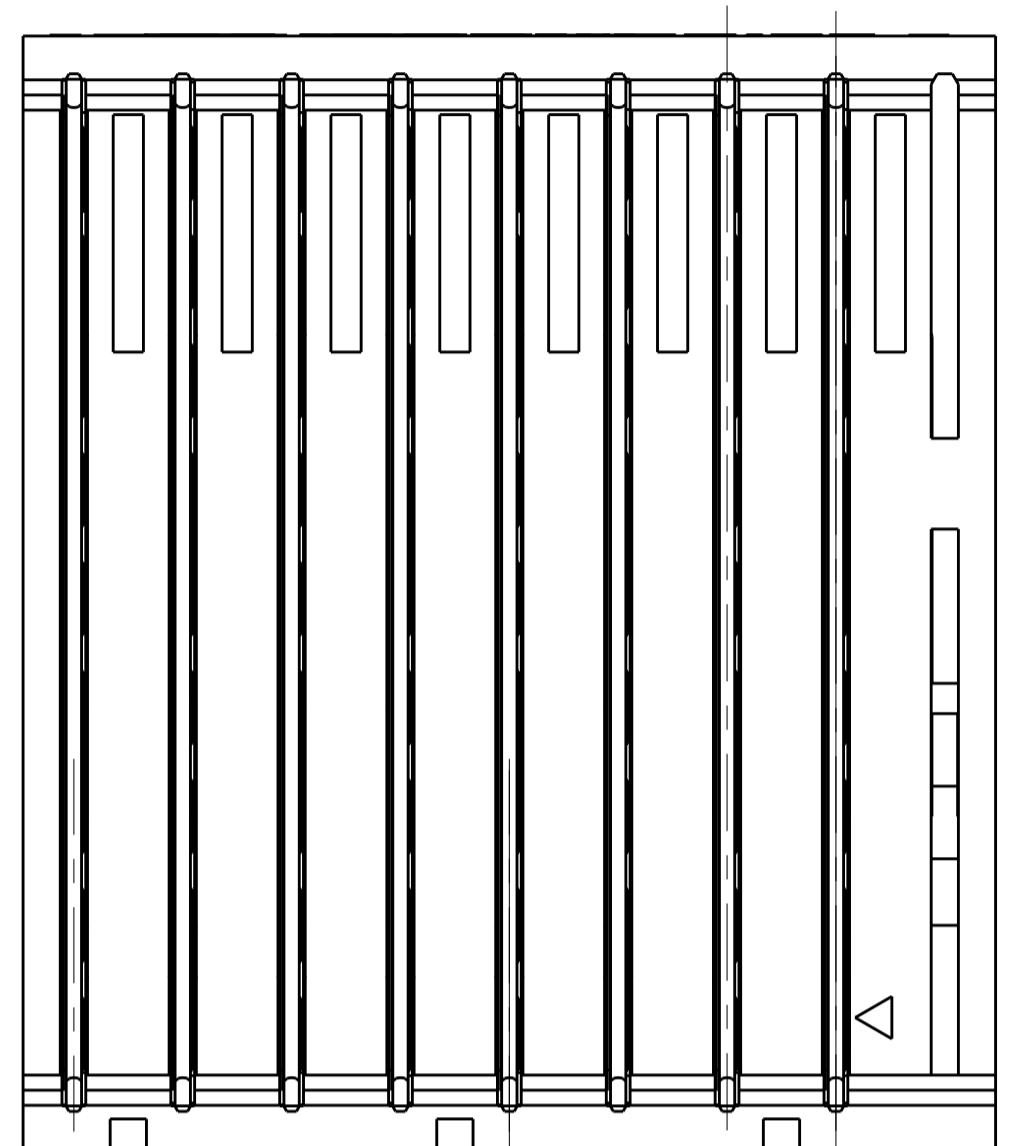


LOC		DIST		REVISIONS			
P	LTH	DESCRIPTION	DATE	DMN	APVD		
A		RELEASE PER ECO 19-002007	2-8-19	CT	DH		



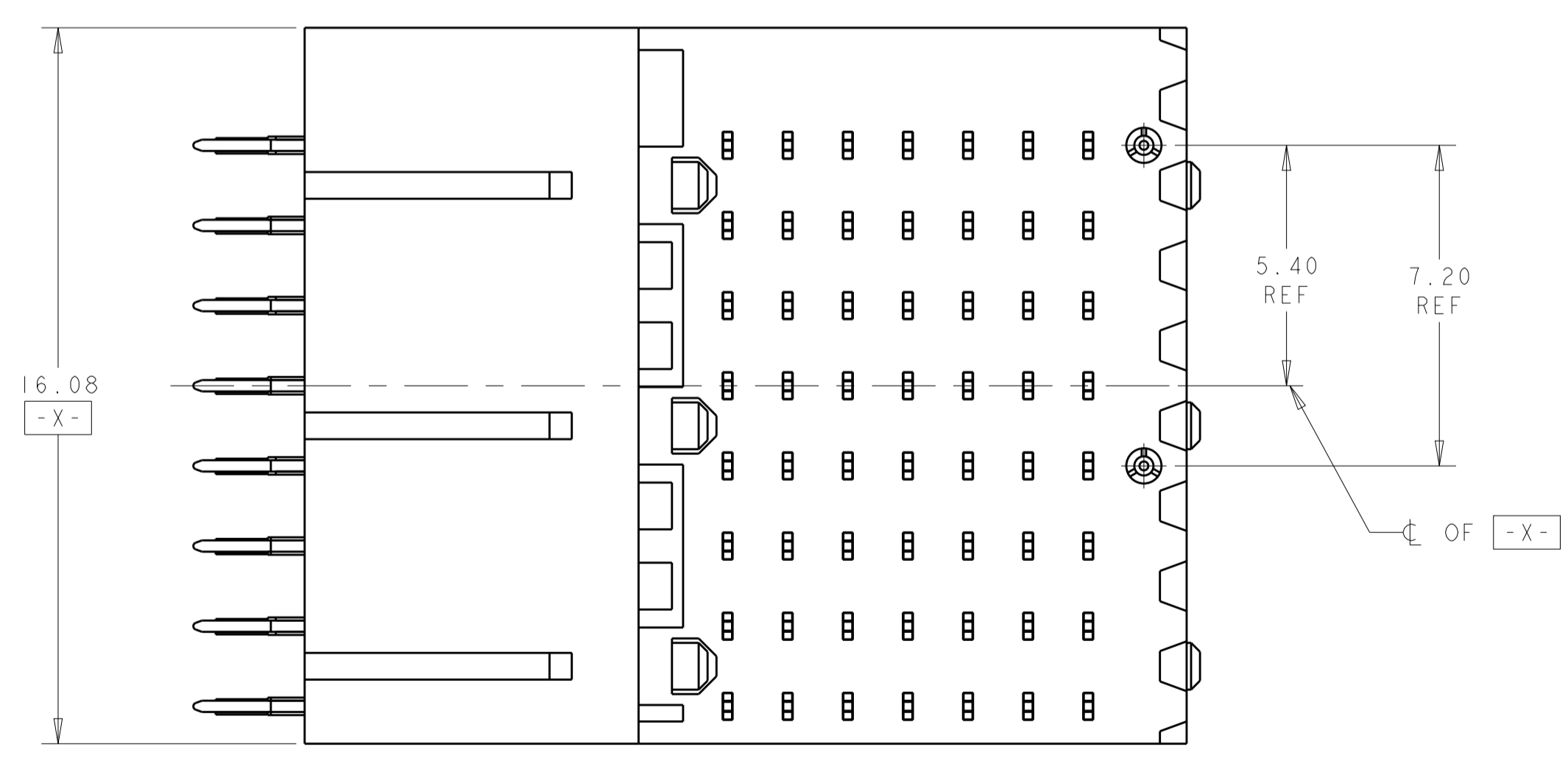
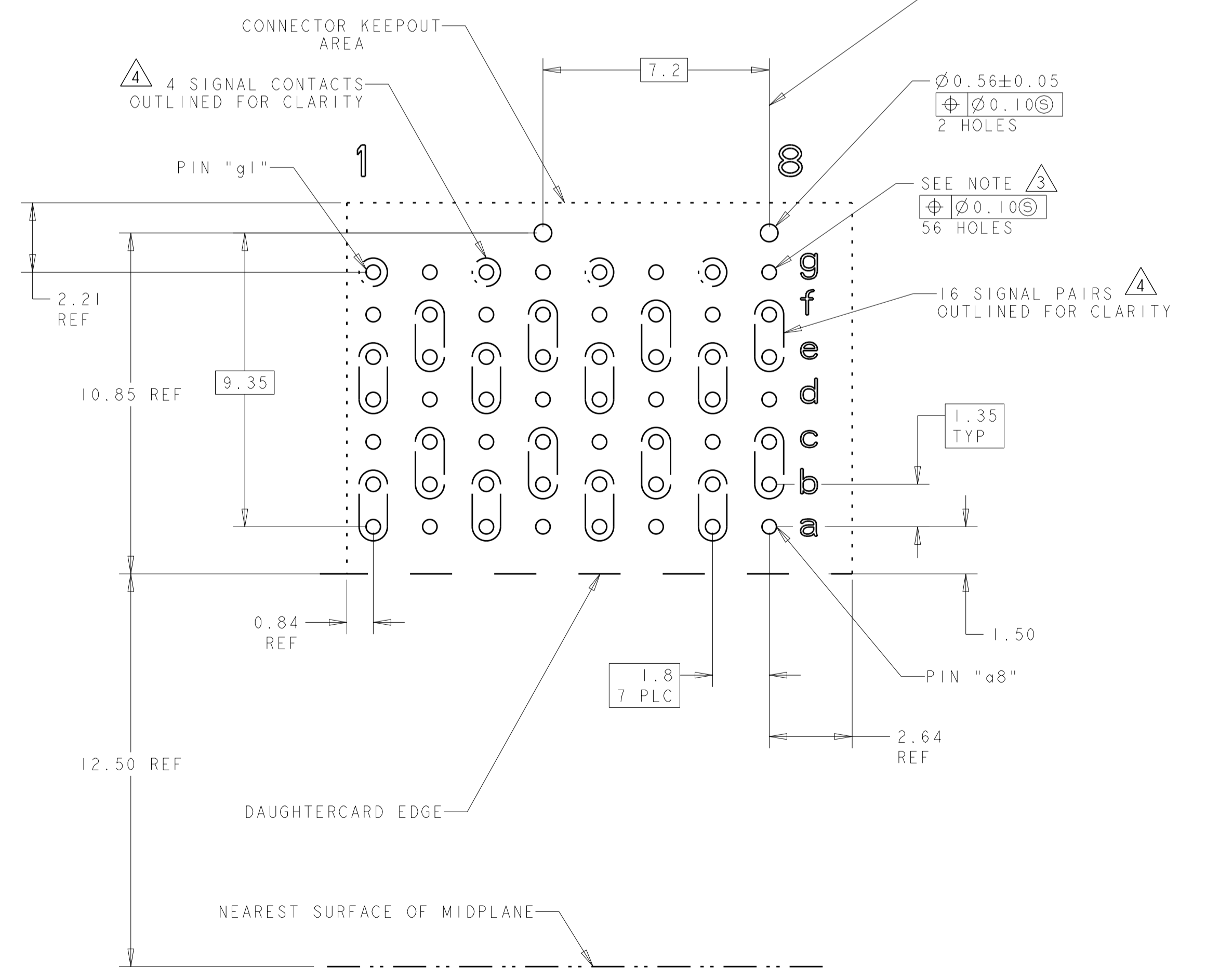
- △ HOUSING: LCP, UL94V0, COLOR: BLACK.
CONTACT: PHOSPHOR BRONZE.
POST: BRASS WIRE
- △ CONTACT: 1.27μm MIN GOLD IN PAD CONTACT AREA, 1.27μm MIN TIN-LEAD ON PCB TAIL OVER 1.27μm MIN. NICKEL OVER ALL.
POST: 1.27μm MIN NICKEL PLATED.
- △ PLATED THROUGH HOLE PER 114-163004, SECTION 3.6
- △ SEE TABLE 1 FOR INTERCONNECTIONS TO BACKPLANE CONNECTOR.
- △ CONTACT: 1.27μm MIN GOLD IN PAD CONTACT AREA, 1.27μm MIN TIN ON PCB TAIL OVER 1.27μm MIN. NICKEL OVER ALL.
POST: 1.27μm MIN NICKEL PLATED.

TABLE 1
INTERCONNECTIONS WITH BACKPLANE CONNECTOR 2102735-1

TYPICAL INTERCONNECTIONS FOR ODD COLUMN (WAFER): 1, 3, 5, 7		
CONTACT USAGE	DAUGHTERCARD CONNECTOR PIN	BACKPLANE CONNECTOR PIN
SIGNAL PAIR	ax	ax
SIGNAL PAIR	bx	bx
SIGNAL PAIR	dx	ex
SIGNAL PAIR	ex	fx
SIGNAL	gx	ix
GROUND	cx, fx (ALL COMMONED)	cx, dx, gx, hx

TYPICAL INTERCONNECTIONS FOR EVEN COLUMN (WAFER): 2, 4, 6, 8		
CONTACT USAGE	DAUGHTERCARD CONNECTOR PIN	BACKPLANE CONNECTOR PIN
SIGNAL PAIR	bx	cx
SIGNAL PAIR	cx	dx
SIGNAL PAIR	ex	gx
SIGNAL PAIR	fx	hx
GROUND	ax, dx, gx, (ALL COMMONED)	ax, bx, ex, fx, ix

NOTE: "x" DESIGNATES THE COLUMN NUMBER



PC BOARD REAR TRANSITION MODULE (CONNECTOR SIDE)
SCALE 8:1

△ 5	2302321-2
△ 2	2302321-1
PLATING	PART NO

THIS DRAWING IS A CONTROLLED DOCUMENT.

DIMENSIONS: mm	TOLERANCES UNLESS OTHERWISE SPECIFIED:	DMN: R. MILLER 28JUN2016	CHK: A. TSANG 28JUN2016	APVD: M. McALONIS 28JUN2016
0 PLC ±0.5	1 PLC ±0.5	PRODUCT SPEC: 108-2072	APPLICATION SPEC: 114-163004	WEIGHT: 5.41g
2 PLC ±0.13	3 PLC ±0.13	SIZE: 114-163004	CAGE CODE: A100779	DRAWING NO: C=2302321
4 PLC ±0.13	ANGLES ±1°	FINISH: SEE TABLE	CUSTOMER DRAWING	SCALE: 8:1

TE Connectivity
 RIGHT-ANGLE PLUG ASSY, 7 ROW, HALF LEFT END, 20.3mm, MULTIGIG RT 2-S DAUGHTERCARD CONNECTOR
 SHEET 1 OF 1 REV A

X-ON Electronics

Largest Supplier of Electrical and Electronic Components

Click to view similar products for [High Speed/Modular Connectors](#) category:

Click to view products by [TE Connectivity](#) manufacturer:

Other Similar products are found below :

[650827-1](#) [74040-1346](#) [1410191-1](#) [1410368-3](#) [1410964-2](#) [1410326-3](#) [1410367-3](#) [1410971-4](#) [1467833-1](#) [2000877-1](#) [2000878-1](#) [2041314-1](#)
[2065387-1](#) [2187307-1](#) [163P](#) [1934290-1](#) [2000875-1](#) [2065917-1](#) [2102736-2](#) [FSR-40](#) [2169868-2](#) [22354-8](#) [437-5040-000](#) [5-1393565-0](#) [039-](#)
[0246-000](#) [0761601016](#) [0784461022](#) [10123159-12ELF](#) [030-2415-003/100 PK](#) [030-7380-004](#) [030-2494-001](#) [532939-1](#) [5532901-3](#) [3-1469268-](#)
[7](#) [74748-102LF](#) [10041743-101LF](#) [10066670-100002LF](#) [1-533915-1](#) [249-4515-000](#) [7-1469373-3](#) [DL2-2J/S](#) [2000713-8](#) [2000713-7](#)
[10124313-101LF](#) [3011-21](#) [757105208](#) [EBTF-4-10-2.0-S-RA-1](#) [430305-001](#) [4395800100](#) [8140115](#)