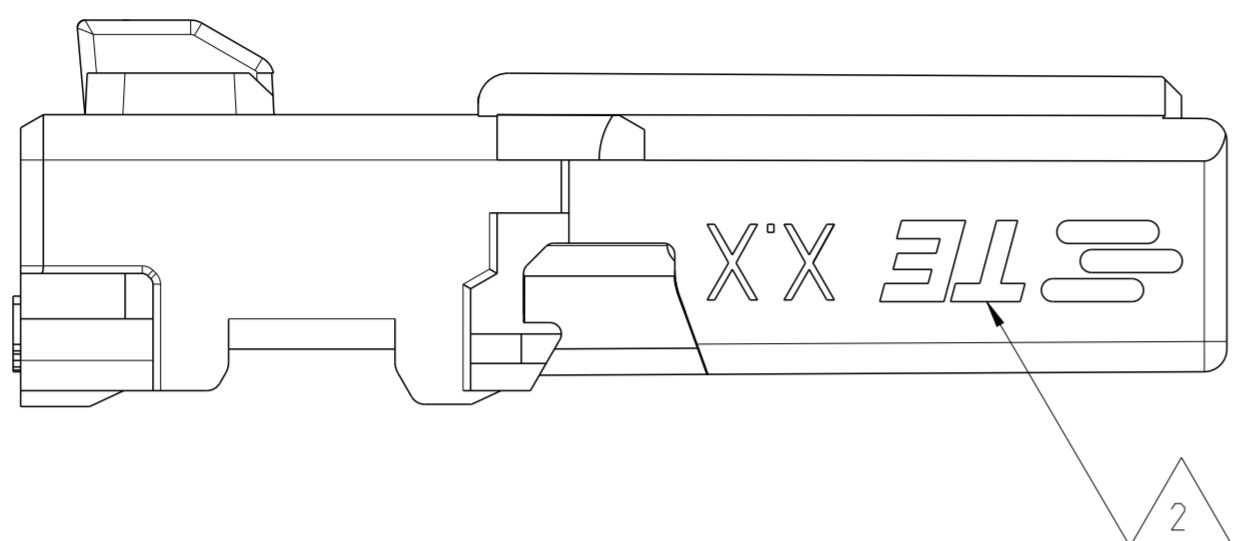


THIS DRAWING IS UNPUBLISHED.
 VERTRAULICHE UNVERÖFFENTLICHTE ZEICHNUNG
 © COPYRIGHT 2017 BY TE Connectivity Germany GmbH

RELEASED FOR PUBLICATION
 FREI FUER VERÖFFENTLICHUNG
 ALL RIGHTS RESERVED.
 ALLE RECHTE VORBEHALTEN.

MATED WITH:
 PASSEND ZU:

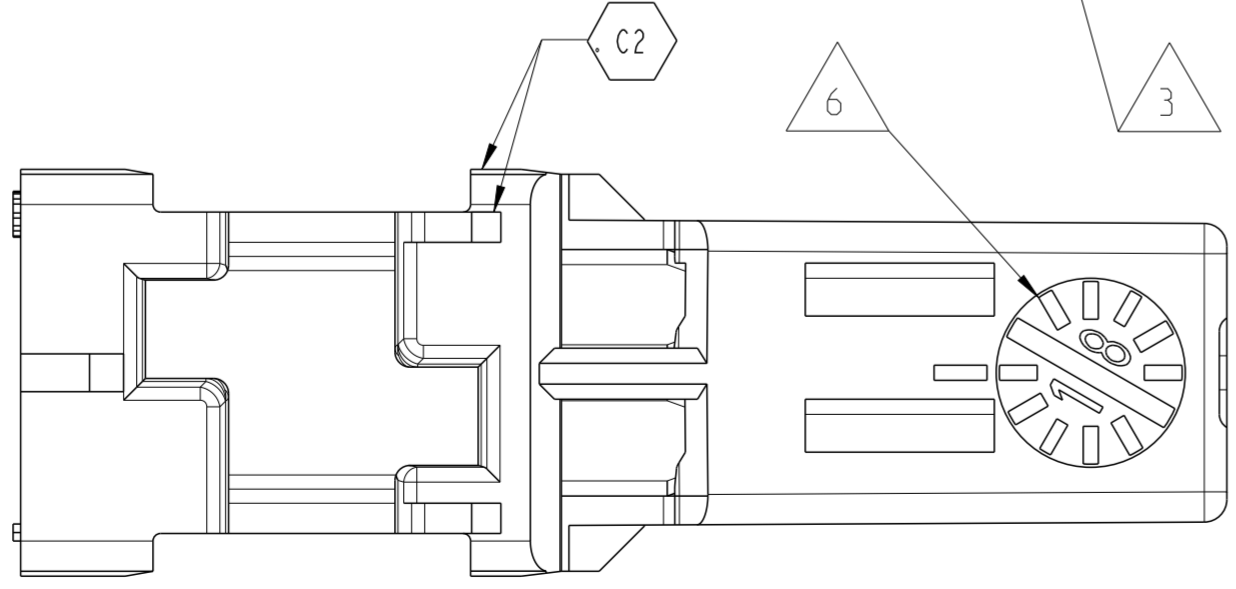
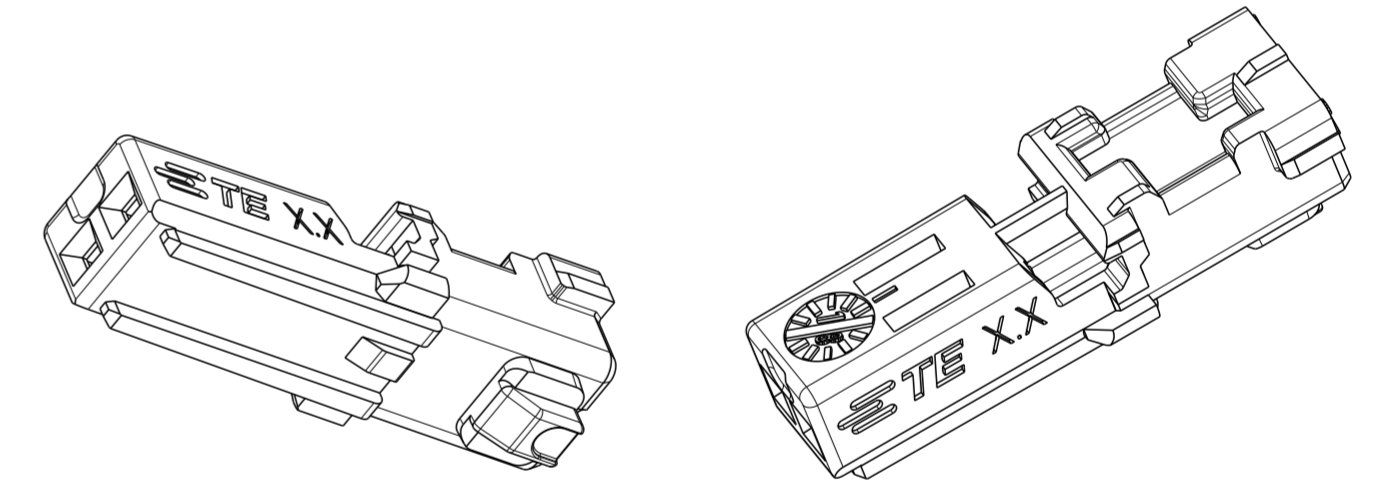
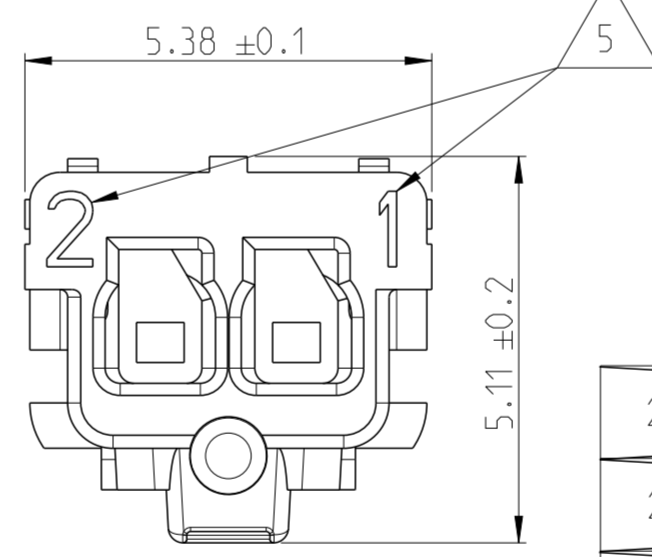
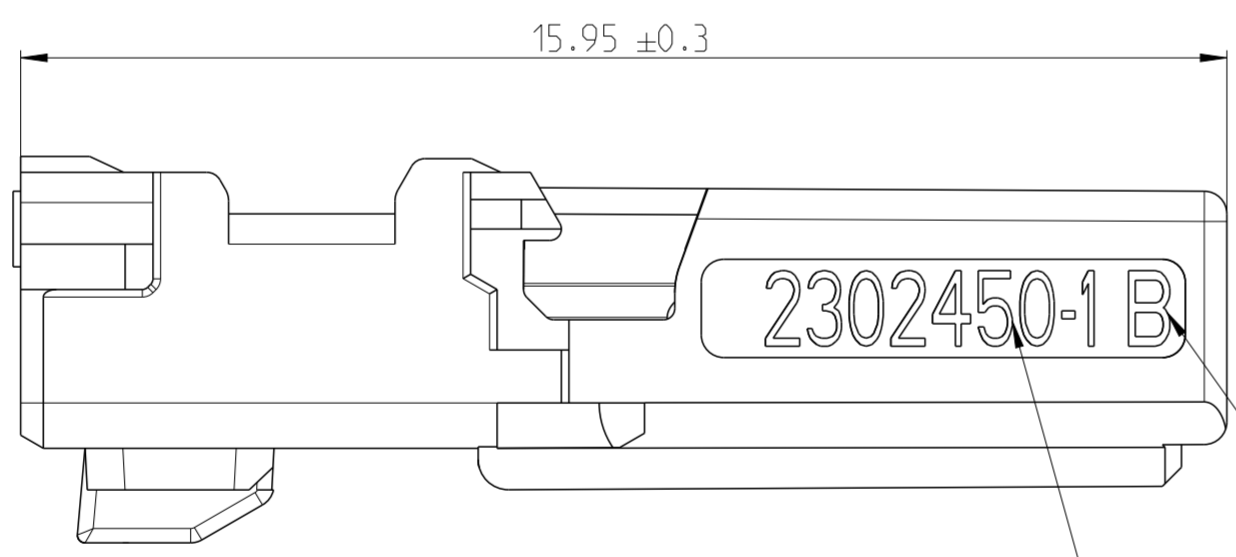
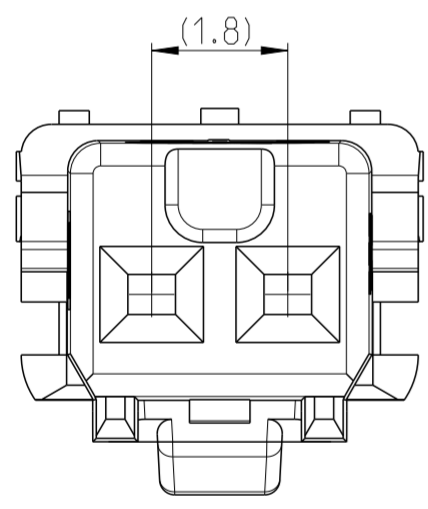
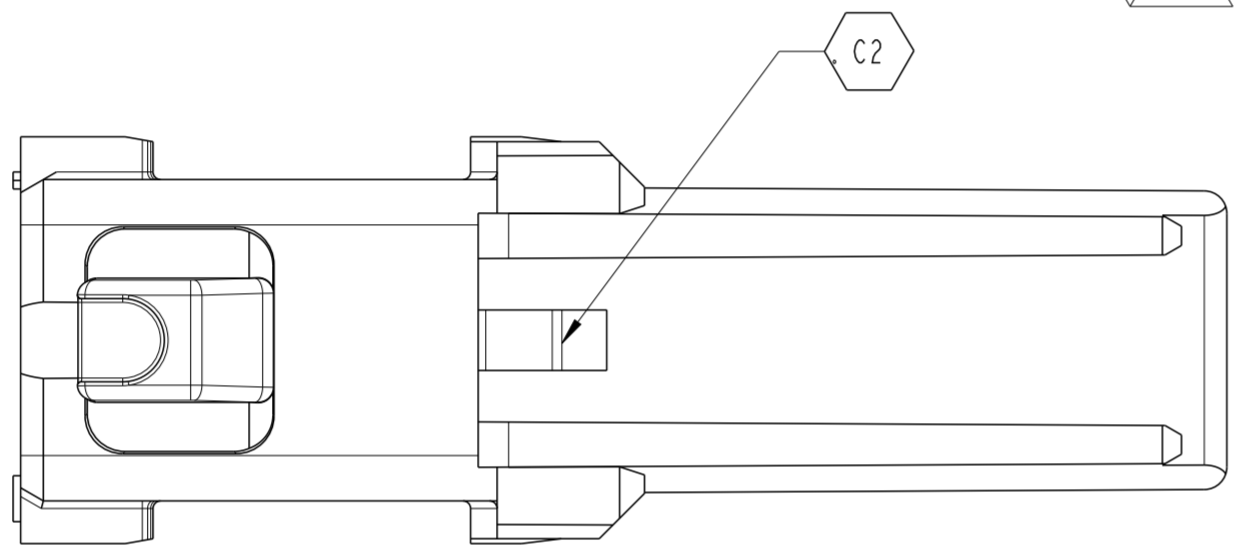
| PROJEKT NR.: | | REVISIONS ÄNDERUNGEN | | | |
|--------------|-------------|------------------------------------|-----------|-----|------|
| P | LTR | DESCRIPTION BESCHREIBUNG | DATE | DWN | APVD |
| B1 | E-17-011574 | Added Serial Part | 09AUG2017 | RW | AK |
| C | E-18-003849 | | 09APR2018 | DK | AK |
| C1 | E-18-008153 | Added Variant 1-2302450-1 (Page 2) | 28MAY2018 | RW | AK |
| C2 | E-18-015417 | minor shape update | 27SEP2018 | RW | AK |



| | |
|--------------------------------------|--------------|
| Kammer CAVITY | ALL CAVITIES |
| Buchsenkontakt SOCKET CONTACT | Nano MQS |
| max. DGB [mm²] MAX. DGB [mm²] | 0.35mm² FLR |
| max. Isolation Ø MAX. ISOLATION Ø | 1.3mm |
| Zeichnung TE DRAWING TE | 1703930 |

Notizen / NOTES:

- 1 2302450-1 wie dargestellt
2302450-1 AS SHOWN
- 2 TE-Logo
TE-LOGO
- 3 TE Teil Nummer
TE PART NUMBER
- 4 Revisionsstand
PART REVISION
- 5 Kontaktkammernummer
CONTACT CAVITY NUMBER
- 6 Produktionsdatum
PRODUCTION DATE
- 7 Verpackung: Schuetztgut im Beutel im Karton
PACKAGING: LOOSE PIECES IN BAG IN BOX
- 8 zugehoeriger Kontakt siehe Tabelle:
SUITABLE FOR CONTACT SEE TABLE:



| | | | | | |
|-----------|------|--|----------|--------------------|--------------------|
| 2302450-6 | B | MATenet 2Pos. NanoMQS, FEMALE INSERT MODUL, violet | 0.2 | HeatherViolet 4003 | |
| 2302450-5 | B | MATenet 2Pos. NanoMQS, FEMALE INSERT MODUL, brown | 0.2 | FawnBrown 8007 | |
| 2302450-4 | B | MATenet 2Pos. NanoMQS, FEMALE INSERT MODUL, blue | 0.2 | SignalBlue 5005 | |
| 2302450-3 | B | MATenet 2Pos. NanoMQS, FEMALE INSERT MODUL, yellow | 0.2 | CurryYellow 1027 | |
| 2302450-2 | B | MATenet 2Pos. NanoMQS, FEMALE INSERT MODUL, green | 0.2 | EmeraldGreen 6001 | |
| 2302450-1 | B | MATenet 2Pos. NanoMQS, FEMALE INSERT MODUL, black | 0.2 | Black 9005 | |
| PART No. | Rev. | DESCRIPTION | MATERIAL | WEIGHT [g] | COLOUR similar RAL |

THIS DRAWING IS A CONTROLLED DOCUMENT. DIMENSIONING AND TOLERANCING PER GPS (ISO STANDARDS)

DWN: J. KIESSWEITER 16AUG2016
 CHK: R. WUERKER 16AUG2016
 APVD: A. KEITLER 29AUG2016

TE Connectivity

MATenet, 2Pos., nanoMQS, FEMALE INSERT MODUL

SIZE: A2 CAGE CODE: 00779 DRAWING NO: C-2302450

SCALE: 5:1 SHEET: 1 OF 3 REV: C2

THIS DRAWING IS UNPUBLISHED
 VERTRÄGLICHE UNVERÖFFENTLICHTE ZEICHNUNG
 © COPYRIGHT 2017 BY TE Connectivity Germany GmbH

RELEASED FOR PUBLICATION
 FREI FÜR VERÖFFENTLICHUNG
 ALL RIGHTS RESERVED.
 ALLE RECHTE VORBEHALTEN.

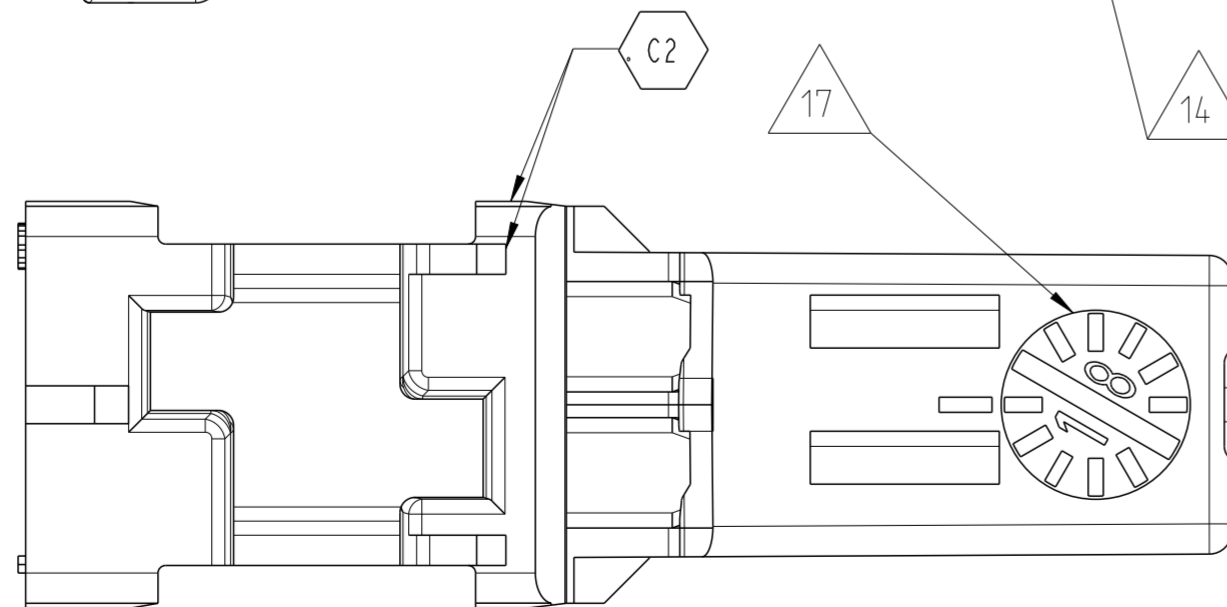
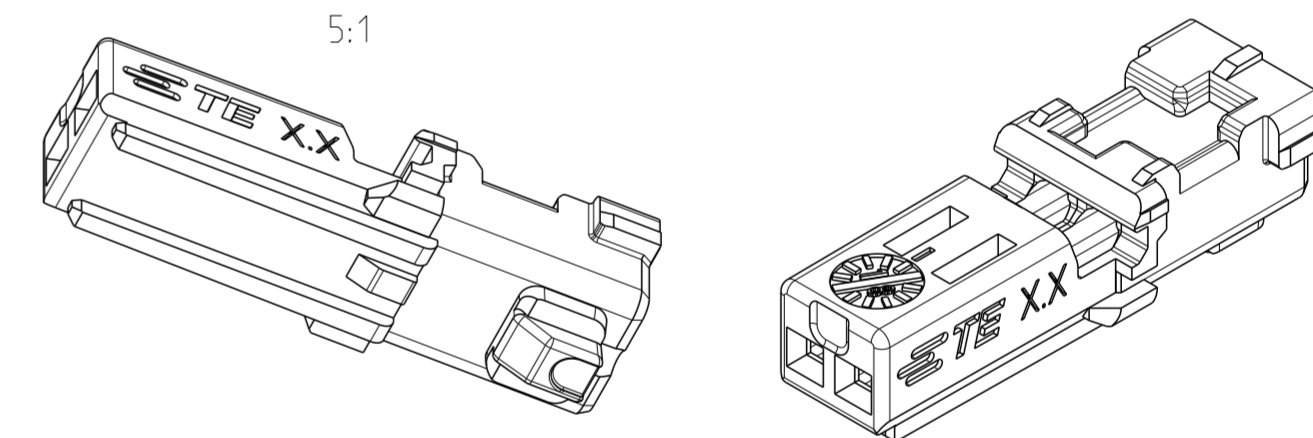
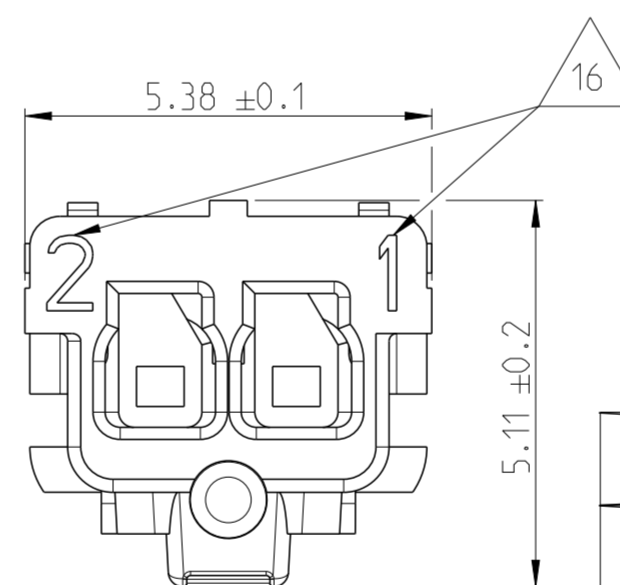
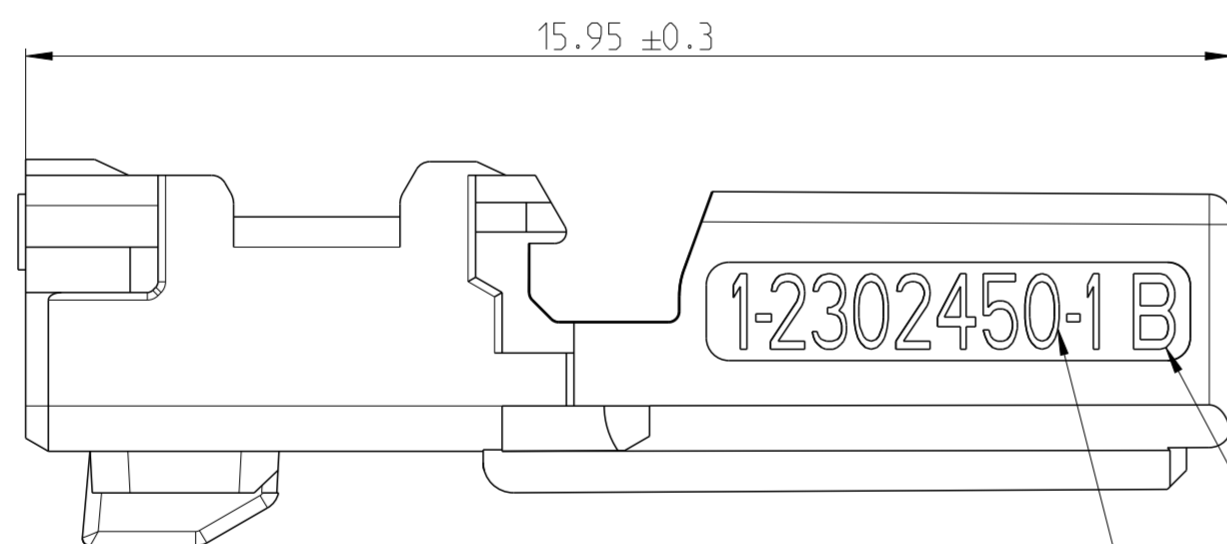
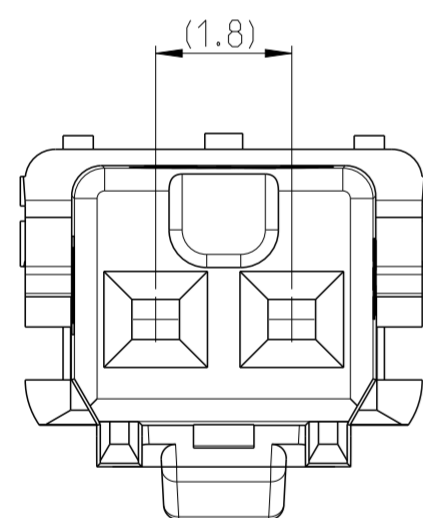
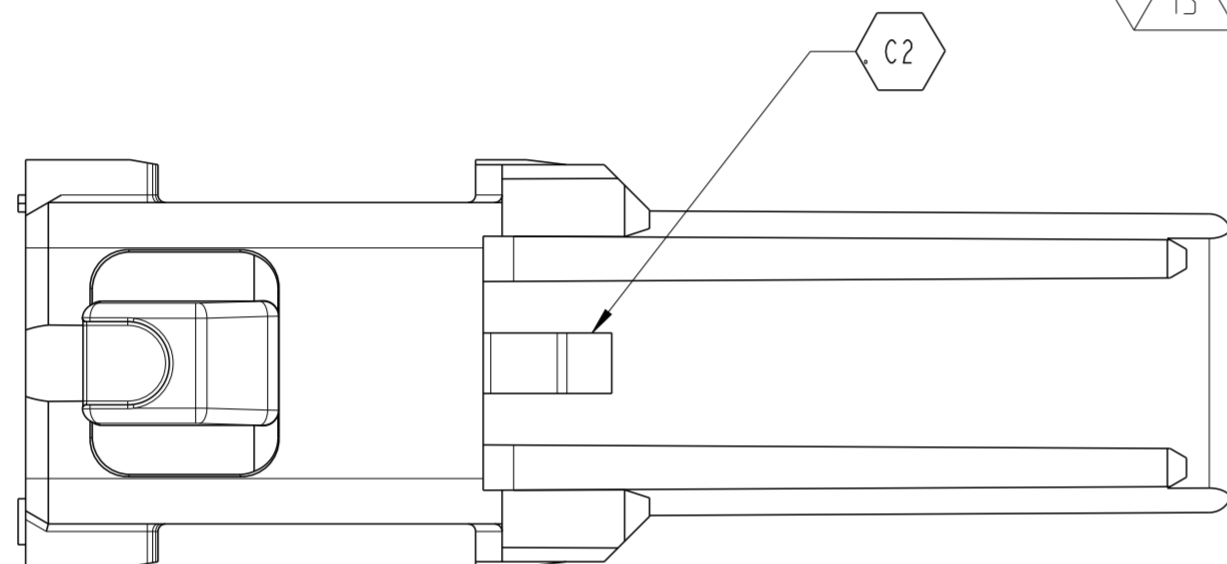
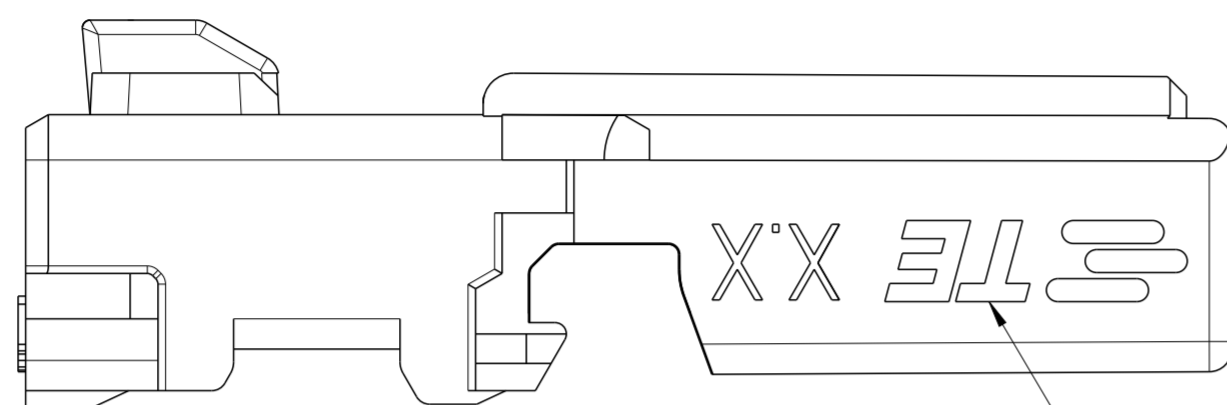
MATED WITH
 PASSEND ZU:

| PROJEKT NR.: | | REVISIONS ÄNDERUNGEN | | | |
|--------------|-----|-----------------------------|------|-----|------|
| P | LTR | DESCRIPTION BESCHREIBUNG | DATE | DWN | APVD |
| - | - | SEE SHEET 1 | - | - | - |

Notizen / NOTES:

- 11 1-2302450-1 wie dargestellt
1-2302450-1 AS SHOWN
- 12 Sondervariante, nicht fuer PoDL Anwendungen geeignet
SPECIAL VARIANT, NOT SUITABLE FOR PoDL APPLICATIONS
- 13 TE-Logo
TE-LOGO
- 14 TE Teil Nummer
TE PART NUMBER
- 15 Revisionsstand
PART REVISION
- 16 Kontaktkammernummer
CONTACT CAVITY NUMBER
- 17 Produktionsdatum
PRODUCTION DATE
- 18 Verpackung: Schuetttgut im Beutel im Karton
PACKAGING: LOOSE PIECES IN BAG IN BOX
- 19 zugehoeriger Kontakt siehe Tabelle:
SUITABLE FOR CONTACT SEE TABLE:

| | |
|--|-------------------------|
| Kammer CAVITY | ALL CAVITIES |
| Buchsenkontakt SOCKET CONTACT | Nano MQS |
| max. DGB [mm ²] MAX. DGB [mm ²] | 0.35mm ² FLR |
| max. Isolation Ø MAX. ISOLATION Ø | 1.3mm |
| Zeichnung TE DRAWING TE | 1703930 |



| | | | | | |
|-------------|------|--|----------|--------------------|--------------------|
| 1-2302450-6 | B | MATenet 2Pos. NanoMQS, FEMALE INSERT MODUL, violet | 0.2 | HeatherViolet 4003 | |
| 1-2302450-5 | B | MATenet 2Pos. NanoMQS, FEMALE INSERT MODUL, brown | 0.2 | FawnBrown 8007 | |
| 1-2302450-4 | B | MATenet 2Pos. NanoMQS, FEMALE INSERT MODUL, blue | 0.2 | SignalBlue 5005 | |
| 1-2302450-3 | B | MATenet 2Pos. NanoMQS, FEMALE INSERT MODUL, yellow | 0.2 | CurryYellow 1027 | |
| 1-2302450-2 | B | MATenet 2Pos. NanoMQS, FEMALE INSERT MODUL, green | 0.2 | EmeraldGreen 6001 | |
| 1-2302450-1 | B | MATenet 2Pos. NanoMQS, FEMALE INSERT MODUL, black | 0.2 | Black 9005 | |
| PART No. | Rev. | DESCRIPTION | MATERIAL | WEIGHT [g] | COLOUR similar RAL |

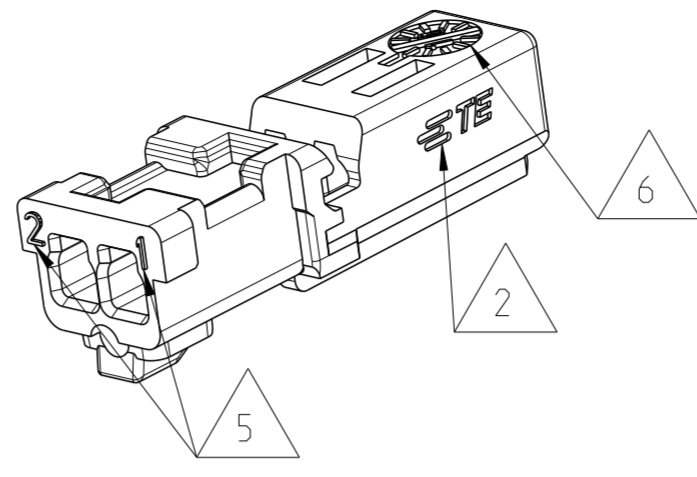
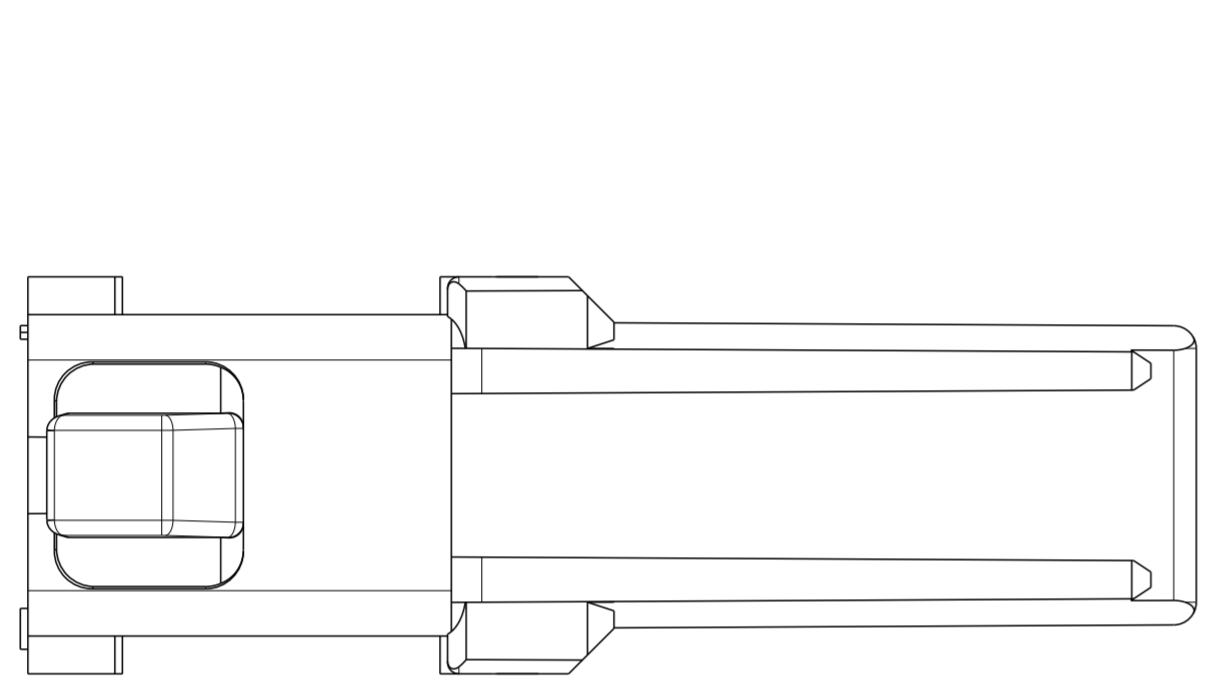
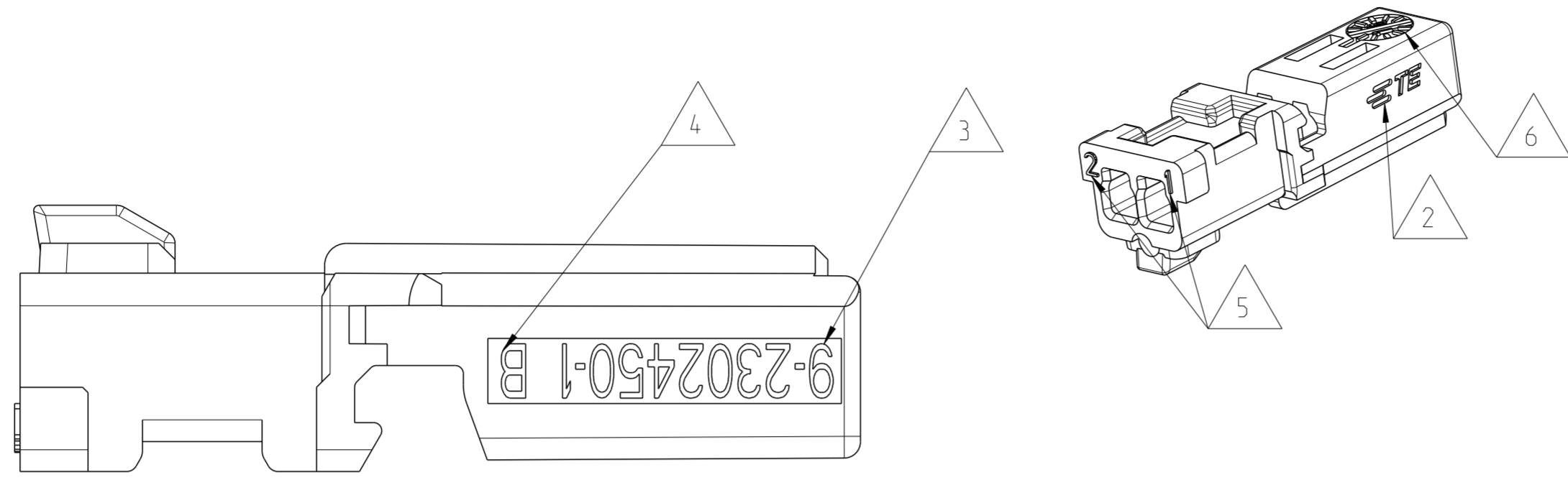
| | | | | | |
|--|--|---------------------------------------|--|-----------------------|--------------------------|
| THIS DRAWING IS A CONTROLLED DOCUMENT. DIMENSIONING AND TOLERANCING PER GPS (ISO STANDARDS) | | DWN J. KIESSWEITNER 16 AUG 2016 | TE Connectivity | | |
| DIMENSIONS: MASSEINHEITEN: (MM) | | CHK R. WUERKER 16 AUG 2016 | | | |
| TOLERANCES UNLESS OTHERWISE SPECIFIED: ALLGEMEINTOLERANZEN | | APVD A. KETTLER 29 AUG 2016 | NAME MATenet, 2Pos., nanoMQS, FEMALE INSERT MODUL | | |
| 0 PLC ±0.2 1 PLC ±0.1 2 PLC ±0.1 3 PLC ± 4 PLC ± | | PRODUCT SPEC 108-94568 | SIZE A2 | CAGE CODE 00779 | DRAWING NO. C-2302450 |
| ANGLES/WINKEL ±° FINISH/OBERFLAECHE/FARBE | | APPLICATION SPEC 114-94431 | RESTRICTED TO NUR FÜR | SHEET BLATT 2 OF 3 | |
| MATERIAL see table | | WEIGHT GEWICHT - | SCALE MASSSTAB 10:1 | | REV C2 |
| | | CUSTOMER DRAWING | /KUNDENZEICHNUNG | | |

THIS DRAWING IS UNPUBLISHED.
 VERTRAULICHE UNVERÖFFENTLICHTE ZEICHNUNG
 © COPYRIGHT 2017 BY TE Connectivity Germany GmbH

RELEASED FOR PUBLICATION
 FREI FUER VERÖFFENTLICHUNG
 ALL RIGHTS RESERVED.
 ALLE RECHTE VORBEHALTEN.

MATED WITH:
 PASSEND ZU:

| PROJEKT NR.: | | REVISIONS ÄNDERUNGEN | | | |
|--------------|-----|-----------------------------|------|-----|------|
| P | LTR | DESCRIPTION BESCHREIBUNG | DATE | DWN | APVD |
| - | - | SEE SHEET 1 | - | - | - |

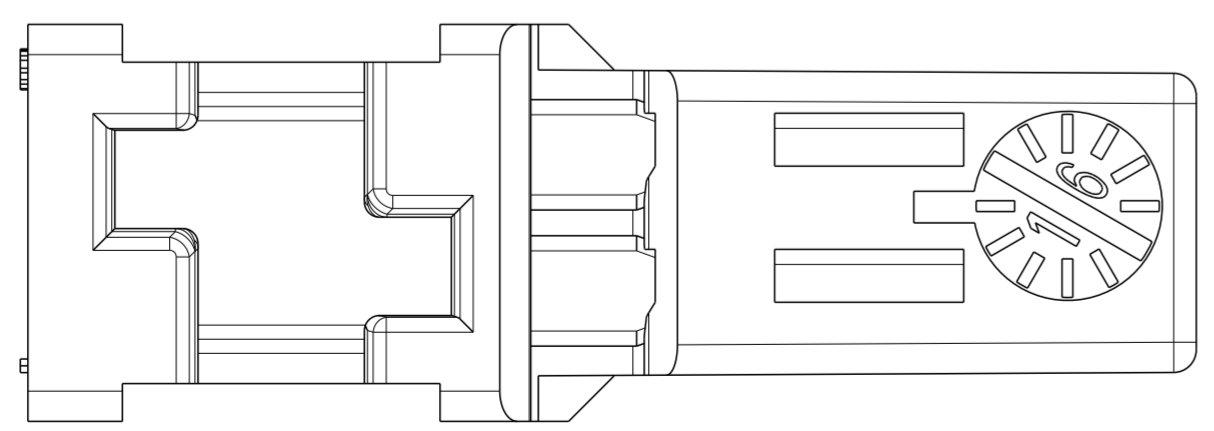
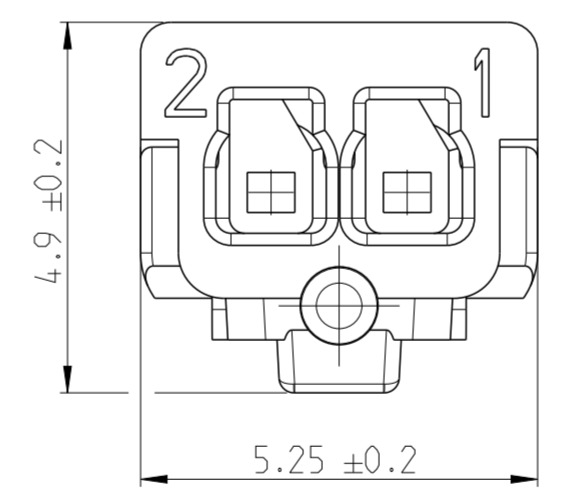
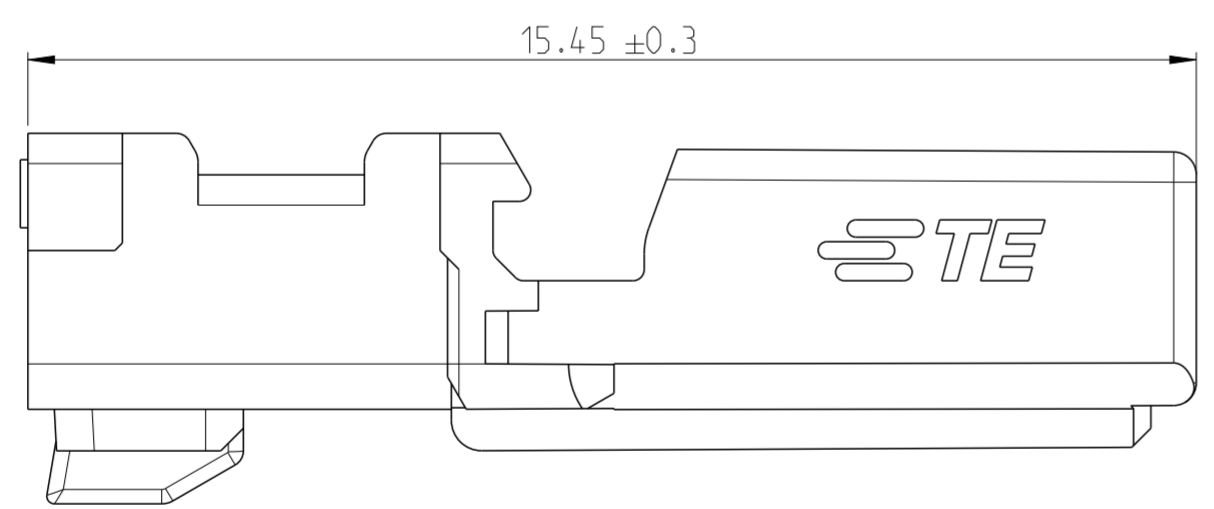
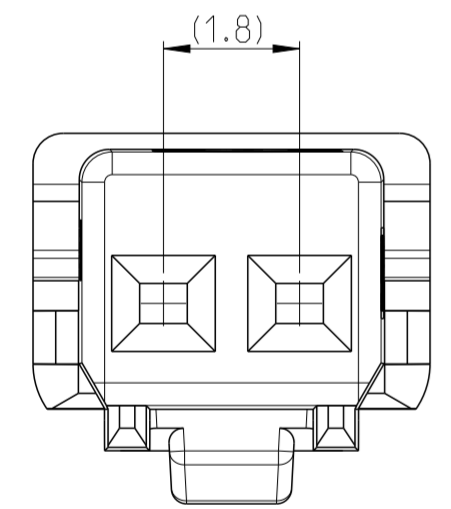


Notizen / NOTES:

- 1 9-2302450-1 wie dargestellt
9-2302450-1 AS SHOWN
- 2 TE-Logo
TE-LOGO
- 3 TE Teil Nummer
TE PART NUMBER
- 4 Revisionsstand
PART REVISION
- 5 Kontaktkammernummer
CONTACT CAVITY NUMBER
- 6 Produktionsdatum
PRODUCTION DATE
- 7 Verpackung: Schuettgut im Beutel im Karton
PACKAGING: LOOSE PIECES IN BAG IN BOX
- 8 zugehoeriger Kontakt siehe Tabelle:
SUITABLE FOR CONTACT SEE TABLE:

| Kammer CAVITY | ALL CAVITIES |
|--|-------------------------|
| Buchsenkontakt SOCKET CONTACT | Nano MQS |
| max. DGB [mm ²] MAX. DGB [mm ²] | 0.35mm ² FLR |
| max. Isolation Ø MAX. ISOLATION Ø | 1.3mm |
| Zeichnung TE DRAWING TE | 1703930 |

**NUR FUER B-MUSTER
FOR PROTOTYPE B-SAMPLES ONLY**



| | | | | | |
|-------------|------|--|-------------------------|--------------------|--------------------|
| 9-2302450-6 | B | MATenet 2Pos. NanoMQS, FEMALE INSERT MODUL, violet | 0.21 | HeatherViolet 4003 | |
| 9-2302450-5 | B | MATenet 2Pos. NanoMQS, FEMALE INSERT MODUL, brown | 0.21 | FawnBrown 8007 | |
| 9-2302450-4 | B | MATenet 2Pos. NanoMQS, FEMALE INSERT MODUL, blue | 0.21 | SignalBlue 5005 | |
| 9-2302450-3 | B | MATenet 2Pos. NanoMQS, FEMALE INSERT MODUL, yellow | 0.21 | CurryYellow 1027 | |
| 9-2302450-2 | B | MATenet 2Pos. NanoMQS, FEMALE INSERT MODUL, green | 0.21 | EmeraldGreen 6001 | |
| 9-2302450-1 | B | MATenet 2Pos. NanoMQS, FEMALE INSERT MODUL, black | PA66-GF30 0% regrind | 0.21 Black 9005 | |
| PART No. | Rev. | DESCRIPTION | MATERIAL | WEIGHT [g] | COLOUR similar RAL |

| DIMENSIONS: MASSEINHEITEN: (mm) | | TOLERANCES UNLESS OTHERWISE SPECIFIED: ALLGEMEINTOLERANZEN | | DWN 16AUG2016 CHK 16AUG2016 APVD 29AUG2016 | | NAME | |
|---------------------------------------|-----------|--|------|---|--|-------------------------------|---------------------------|
| 0 PLC | ±0.2 | 1 PLC | ±0.1 | J. KIESSWEITER | MATEnet, 2Pos., nanoMQS, FEMALE INSERT MODUL | | |
| 2 PLC | ±0.05 | 3 PLC | ± | R. WUERKER | PRODUCT SPEC | SIZE | CAGE CODE |
| 4 PLC | ± | ANGLES/WINKEL | ±° | A. KETTLER | 108-94568 | A2 | 00779 |
| MATERIAL | see table | FINISH/OBERFLAECHE/FARBE | - | APVD | 114-94431 | DRAWING NO. ZEICHNUNGS-NR. | RESTRICTED TO NUR FUER |
| | | | | WEIGHT GEWICHT | - | SCALE MASSSTAB | 3 OF 3 |
| | | | | CUSTOMER DRAWING | /KUNDENZEICHUNG | SCALE MASSSTAB | REV C2 |



X-ON Electronics

Largest Supplier of Electrical and Electronic Components

Click to view similar products for [Automotive Connectors](#) category:

Click to view products by [TE Connectivity](#) manufacturer:

Other Similar products are found below :

[003-018-000](#) [60993906-B](#) [M902-2131](#) [M902-2161](#) [M902-2344](#) [72.330.1035.1](#) [73.353.4028.0](#) [F166900](#) [F358300-B](#) [F407400](#) [776880-1](#)
[827153-1](#) [8N1515-32-24P](#) [9-1326729-8](#) [925474-1](#) [928905-1](#) [964562-4](#) [968782-1](#) [98891-1012](#) [12004475-L](#) [12020308](#) [12041318-B](#)
[12052466](#) [12064869](#) [12015909](#) [1-21030-1](#) [12041254](#) [12041318](#) [12047946-B](#) [12110546-B](#) [12131792](#) [12084688](#) [12092346](#) [HD34-18-14PT](#)
[HD46-24-23SN-059](#) [HDB36-24-16PN-059](#) [HDP26-24-9SE-L015](#) [12185280](#) [12185550](#) [12336-12](#) [12191172-B](#) [12S](#) [13545280](#) [13577943](#)
[13681974](#) [13737722-B](#) [13830674](#) [13832576](#) [13849772](#) [13542772](#)