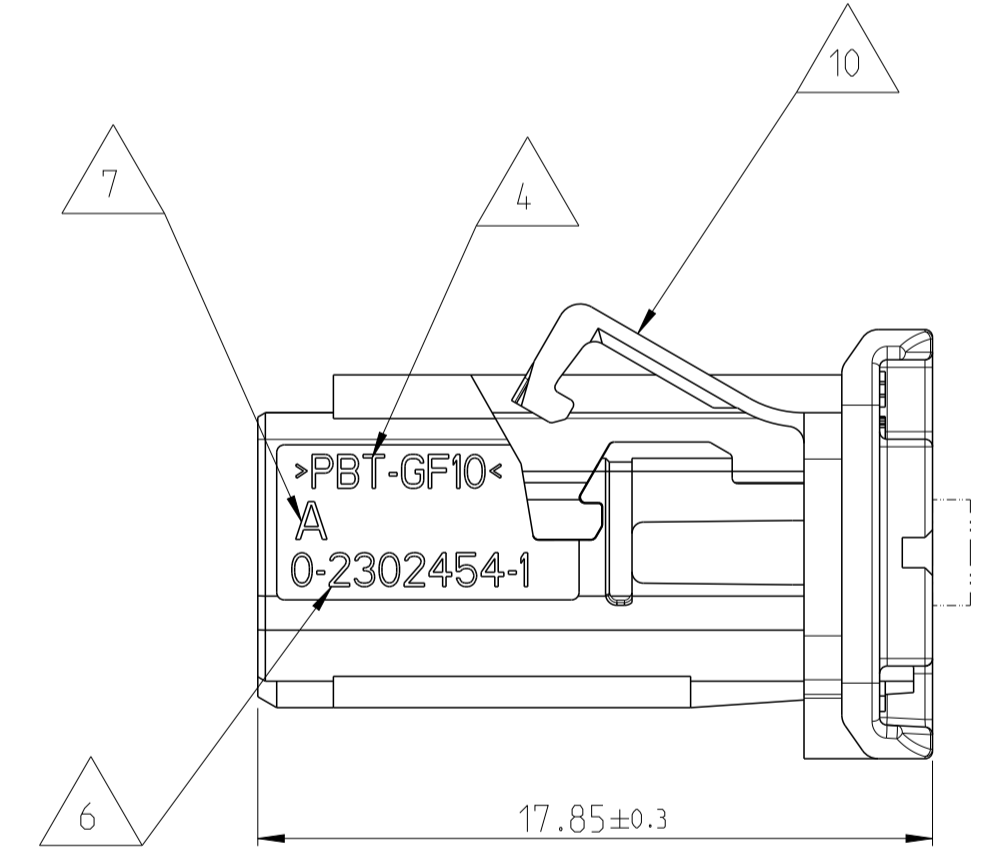
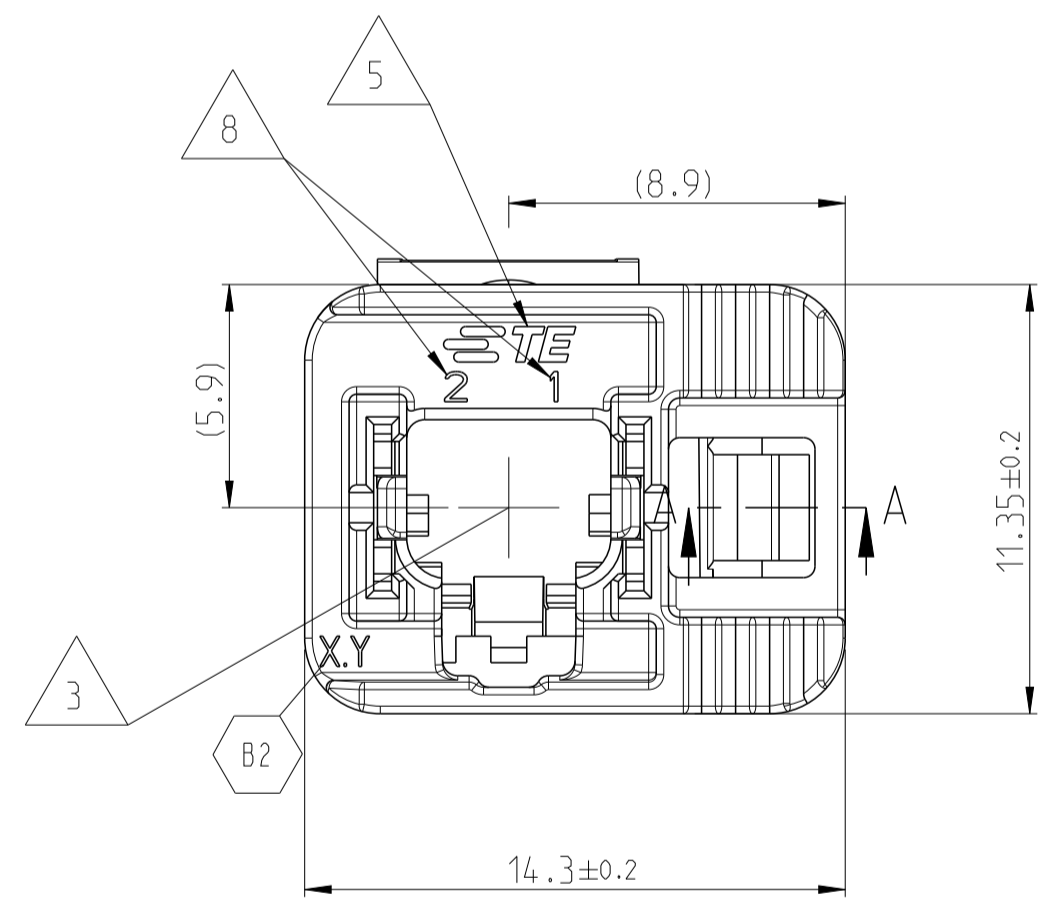
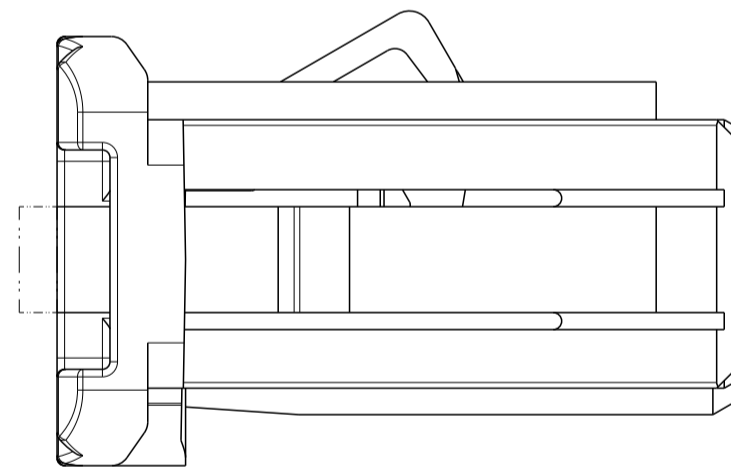
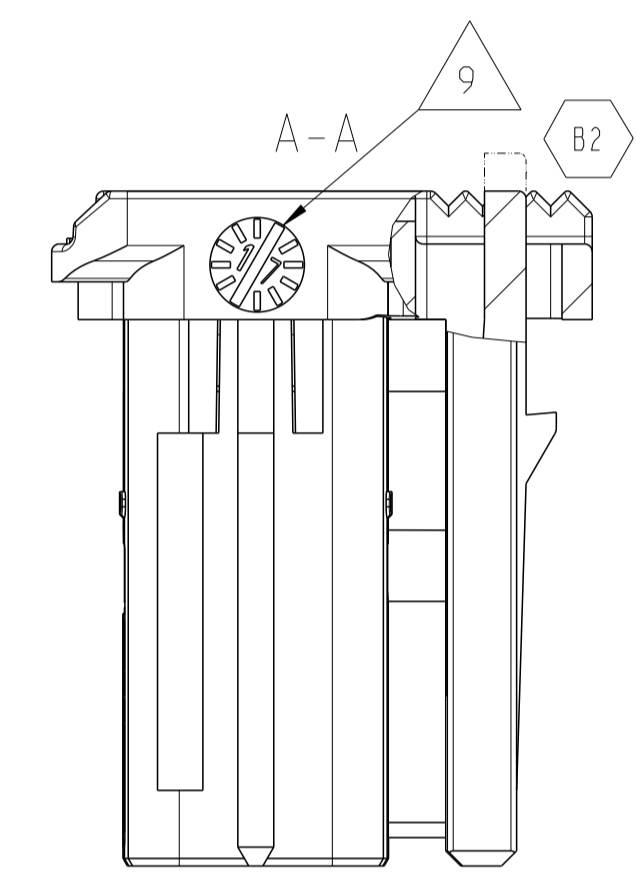
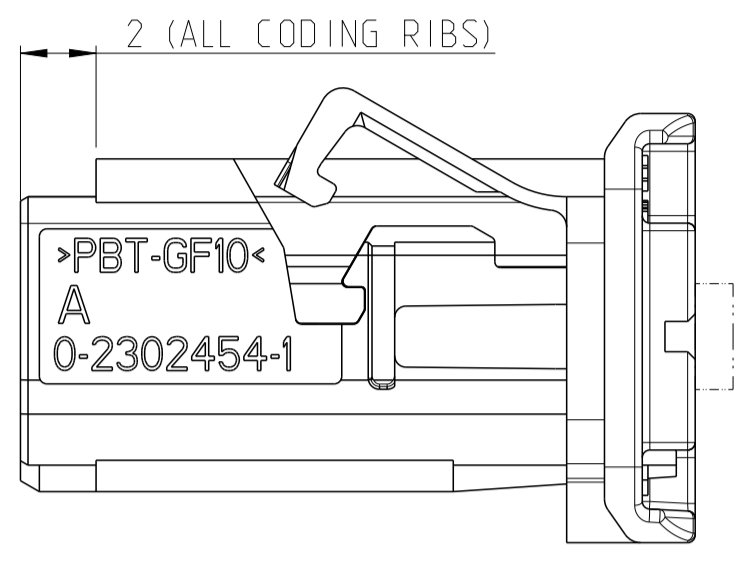
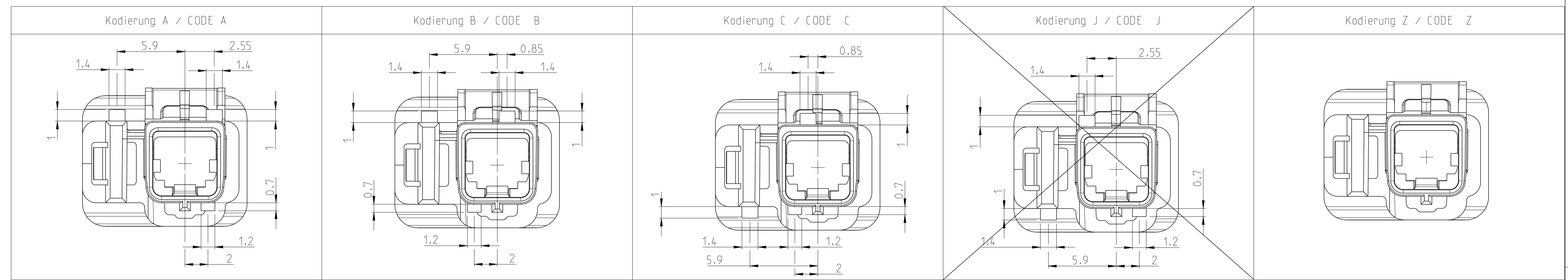
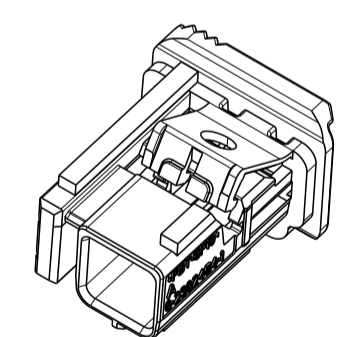


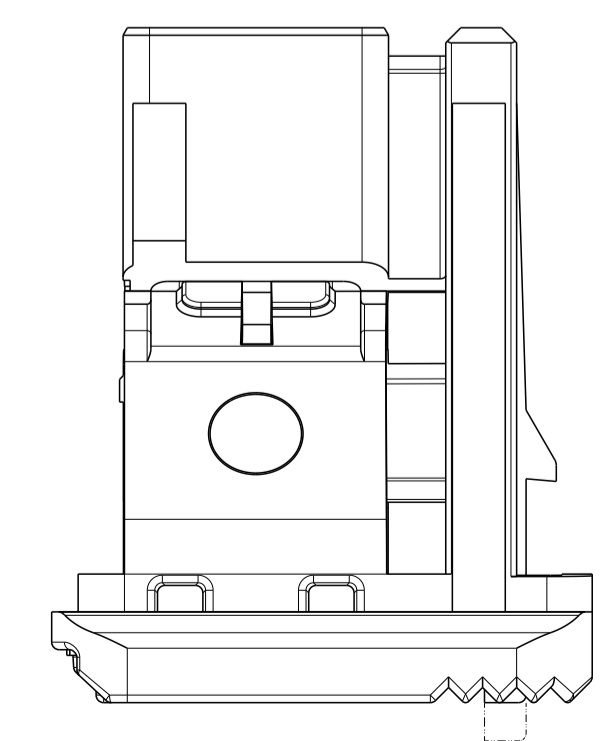
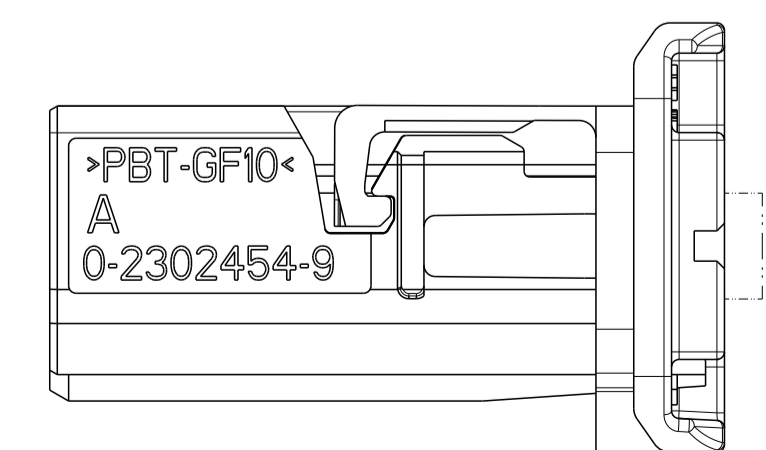
PROJECT NO.:		REVISIONS			
		ÄNDERUNGEN	DATE	DWN	APVD
P	LTA	DESCRIPTION			
		BESCHREIBUNG			
A1	E-16-015270	(added P-Spec No.)	27OCT2016	RW	AK
B	E-16-016822	(STP-Contact-Spring Pockets added)	28NOV2016	KIJ	AK
B1	E-17-015004	(added serial parts)	11OCT2017	RW	AK
B2	E-19-016672	(removed code J and pilot parts)	25OCT2019	FF	AK



- Notizen / NOTES
- 0-2302454-1 Kodierung A wie dargestellt
0-2302454-1 CODING A AS SHOWN
 - Passend zu Stiftwanne nach TE-Schnittstellenzeichnung 208-18006
MATING TO PINHEADER ACC. TE-INTERFACE DRAWING 208-18006
 - Kammer fuer MATEnet 2Pos. NanoMQS female Insert module TE PN 0-2302450-X
CAVITY FOR MATEnet 2Pos. NanoMQS FEMALE INSERT MODULE TE PN 0-2302450-X
 - Materialkennzeichnung
MATERIAL MARKING
 - TE-Logo
TE-LOGO
 - TE-Teil Nummer
TE-PART NUMBER
 - Revisionsstand
PART REVISION
 - Kontaktkammernummer
CONTACT CAVITY NUMBER
 - Produktionsdatum
PRODUKTION DATE
 - Anlieferzustand: 2. Kontaktsicherung geöffnet
DELIVERY CONDITION: RETAINER IN OPEN POSITION
 - Verpackung: Schüttgut im Beutel im Karton
PACKAGING: LOOSE PIECES IN BAG IN BOX



SHOWN IN END-LOCKED POSITION
Darstellung in Endraststellung



CODE	PART No.	Rev.	DESCRIPTION	MATERIAL	WEIGHT [g]	COLOUR similar RAL
Z	0-2302454-9	A	Single-Port MATEnet Frame, Code Z	PBT-GF10 0% regrind	0.9	water-blue 5021
J	0-2302454-7	A	Single-Port MATEnet Frame, Code J		0.9	beige 1064
C	0-2302454-3	A	Single-Port MATEnet Frame, Code C		0.9	blue 5012
B	0-2302454-2	A	Single-Port MATEnet Frame, Code B		0.9	white 9010
A	0-2302454-1	A	Single-Port MATEnet Frame, Code A		0.9	black 9011

THIS DRAWING IS A CONTROLLED DOCUMENT. DWN: J.KIEBWEITER 16AUG2016
CHK: R.WUERKER 16AUG2016

DIMENSIONS: MASSENHEITEN: mm

TOLERANCES UNLESS OTHERWISE SPECIFIED: ALLE DIMENSIONEN

0 PLC	±0.2
1 PLC	±0.1
2 PLC	±0.1
3 PLC	±0.1
4 PLC	±0.1

FINISH/SCHREIBFLÄCHE/FARBE: see table

MATERIAL: see table

WEIGHT GEWICHT: see table

CUSTOMER DRAWING: /KUNDENZEICHNUNG

SCALE MASSSTAB: 5:1

SHEET BLATT: 1 OF 2

REV: B2

TE Connectivity

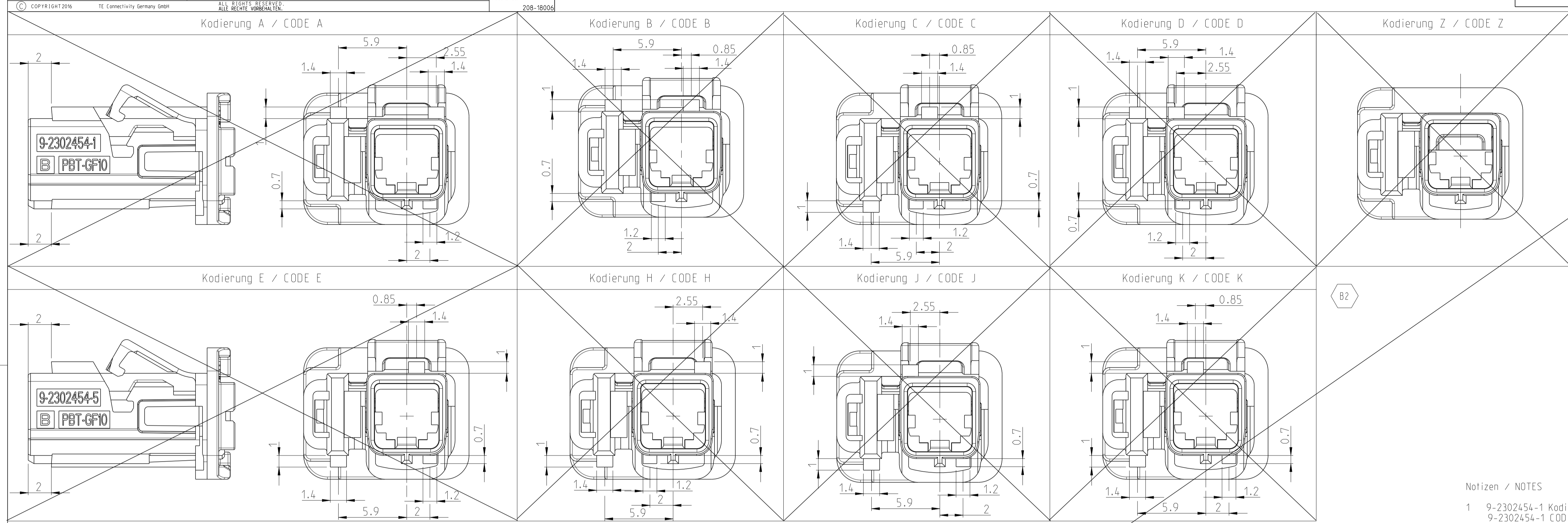
NAME: Single-Port MATEnet Frame SINGLE-PORT MATEnet FRAME

SIZE: A1

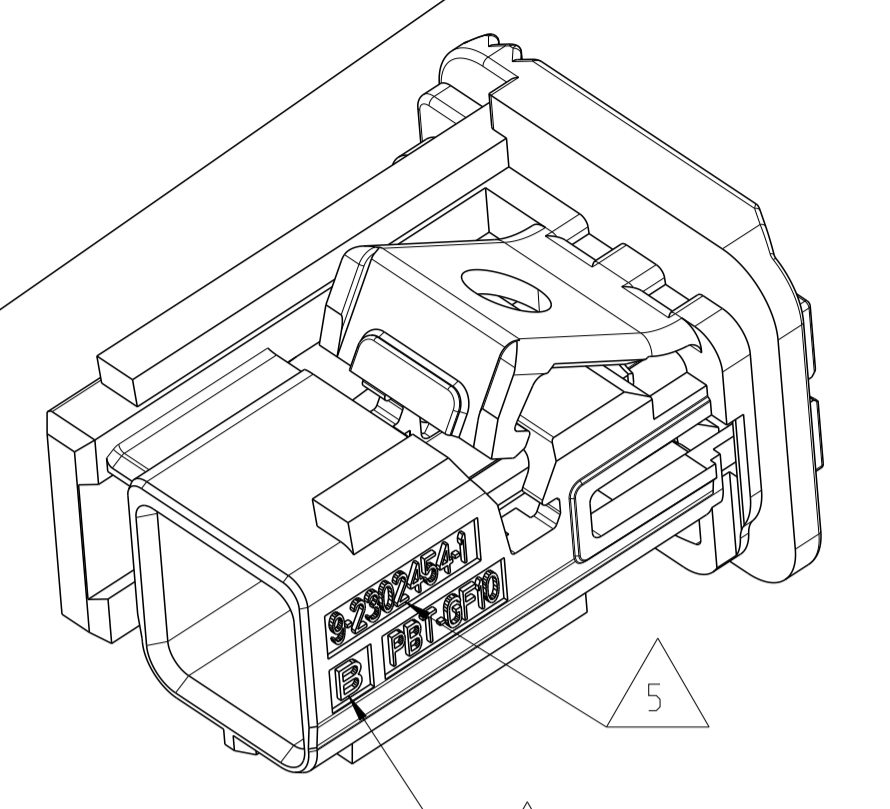
CAGE CODE: 07079

DRAWING NO: 2302454

RESTRICTED TO NUR FÜR: -

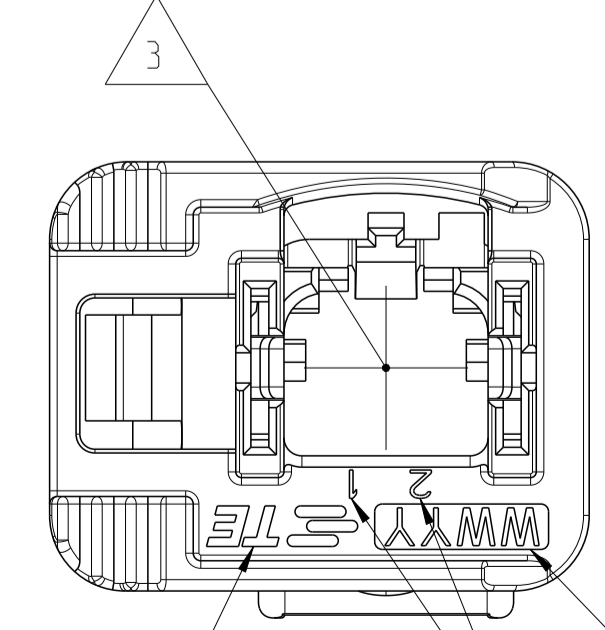
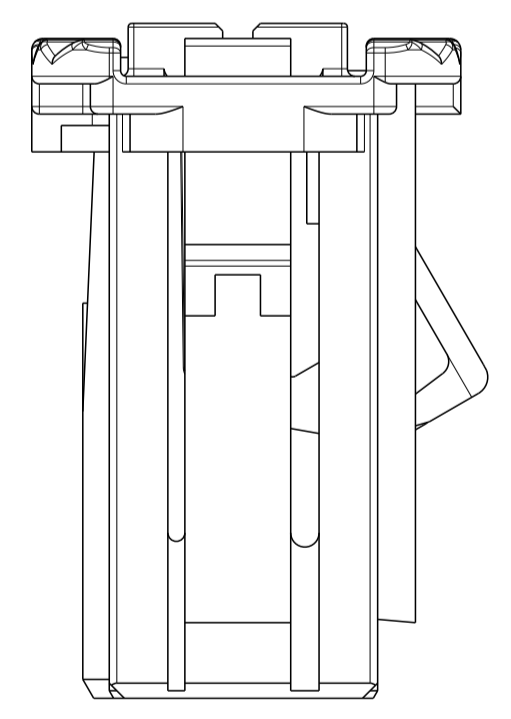
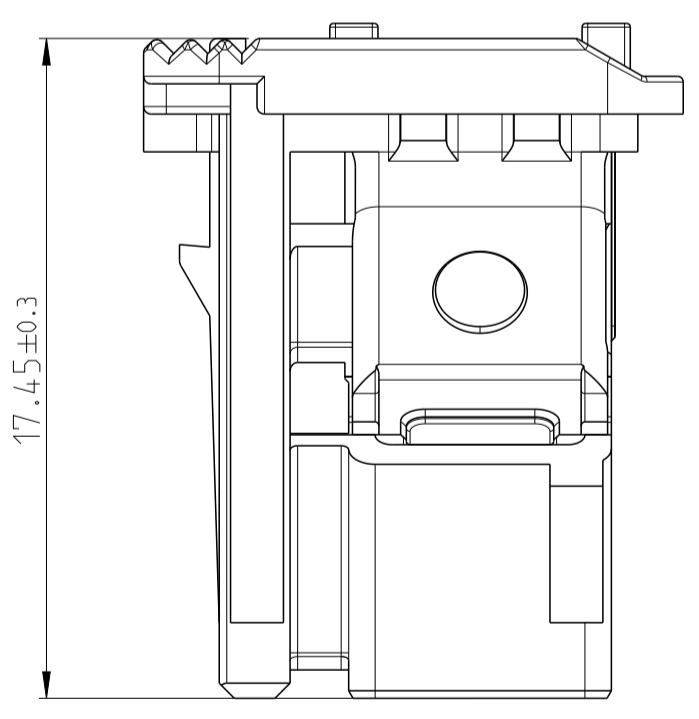
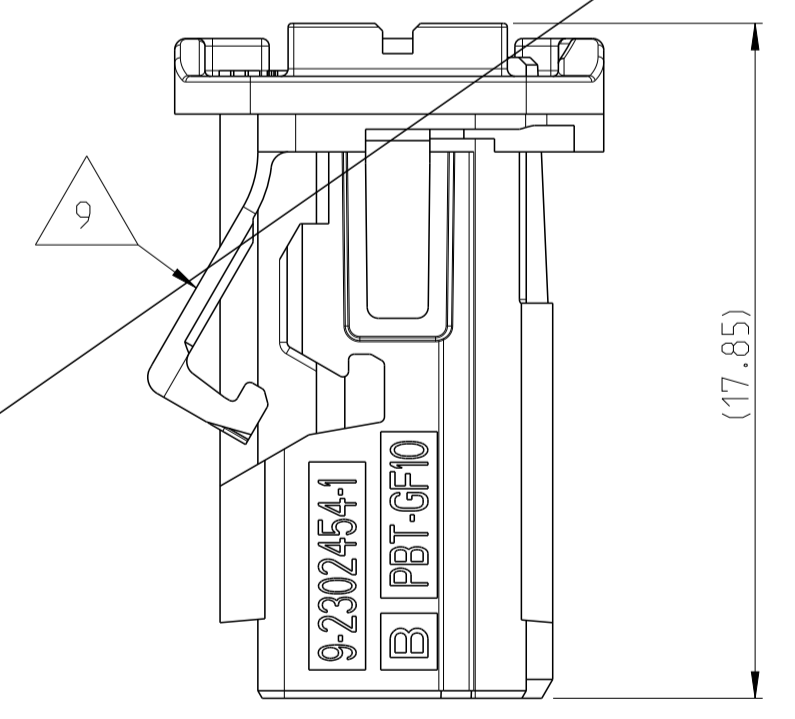
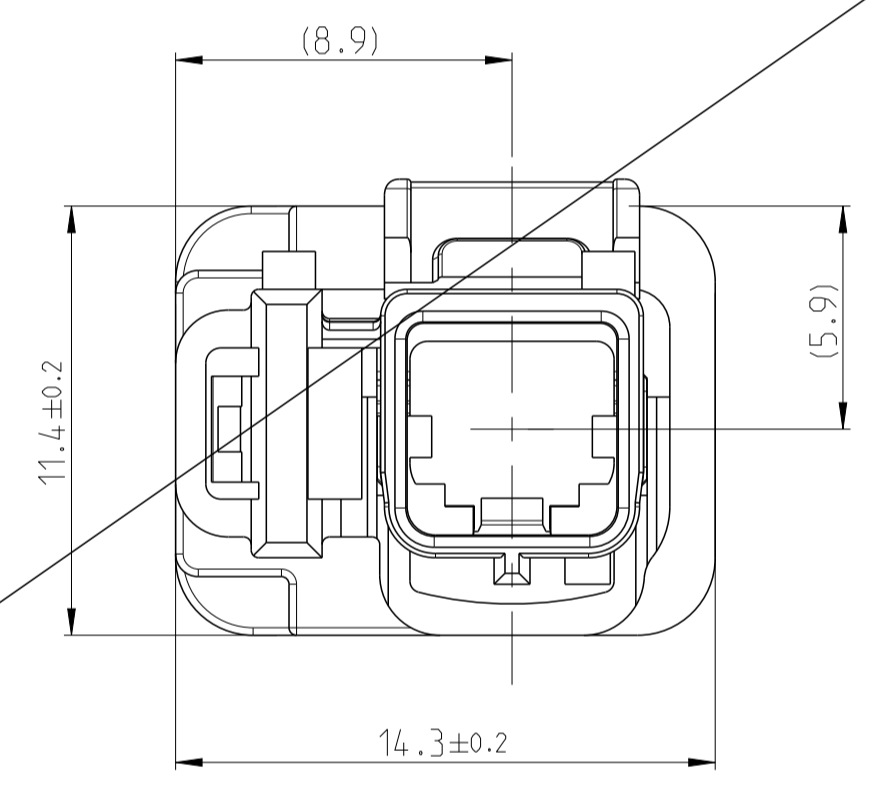


REV. LTR	DESCRIPTION	DATE	DRW	APVD
-	SEE SHEET 1	-	-	-



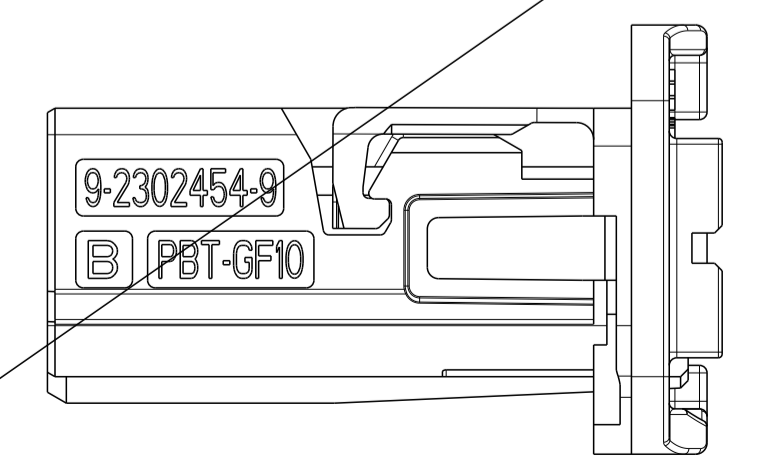
Notizen / NOTES

- 9-2302454-1 Kodierung A wie dargestellt
9-2302454-1 CODING A AS SHOWN
- Passend zu Stiftwanne nach TE-Schnittstellenzeichnung 208-18006
MATING TO PINHEADER ACC. TE-INTERFACE DRAWING 208-18006
- Kammer fuer MATenet 2Pos. NanoMQS female Insert module TE PN 0-2302450-X
CAVITY FOR MATenet 2Pos. NanoMQS FEMALE INSERT MODULE TE PN 0-2302450-X
- TE-Logo
TE-LOGO
- TE-Teile Nummer
TE-PART NUMBER
- Revisionsstand
PART REVISION
- Kontaktkammernummer
CONTACT CAVITY NUMBER
- Produktionsdatum
PRODUKTION DATE
- Anlieferzustand: 2. Kontaktsicherung geöffnet
DELIVERY CONDITION: RETAINER IN OPEN POSITION
- Verpackung: Schueffgut im Beutel im Karton
PACKAGING: LOOSE PIECES IN BAG IN BOX



OBSOLETE

2. Kontaktsicherung geschlossen
RETAINER CLOSED



**B-MUSTER
PROTOTYPE B-SAMPLES**

CODE	PART No.	Rev.	DESCRIPTION	MATERIAL	WEIGHT [g]	COLOUR similar RAL
Z	9-2302454-9	B	Single-Port MATenet Frame, Code Z	PBT-GF10	0.83	water-blue 5021
K	9-2302454-8	B	Single-Port MATenet Frame, Code K	PBT-GF10	0.87	curry yellow 1027
J	9-2302454-7	B	Single-Port MATenet Frame, Code J	PBT-GF10	0.87	beige 1001
H	9-2302454-6	B	Single-Port MATenet Frame, Code H	PBT-GF10	0.87	heather violet 4003
E	9-2302454-5	B	Single-Port MATenet Frame, Code E	PBT-GF10 0% regrind	0.87	green 6018
D	9-2302454-4	B	Single-Port MATenet Frame, Code D	PBT-GF10	0.87	claret violet 4004
C	9-2302454-3	B	Single-Port MATenet Frame, Code C	PBT-GF10	0.87	blue 5012
B	9-2302454-2	B	Single-Port MATenet Frame, Code B	PBT-GF10	0.87	white 9010
A	9-2302454-1	B	Single-Port MATenet Frame, Code A	PBT-GF10	0.87	black 9011

THIS DRAWING IS A CONTROLLED DOCUMENT.		DWG: J.KIEBWEITER 16AUG2016		TE Connectivity	
DIMENSIONS: MASSENHEITEN: mm		CHK: R.WUERKER 16AUG2016		NAME: Single-Port MATenet Frame SINGLE-PORT MATenet FRAME	
TOLERANCES UNLESS OTHERWISE SPECIFIED: ALLE DIMENSIONEN		APPV: A.KETTELER 29AUG2016		SIZE: A1	
0 PLC ±0.2		PRODUCT SPEC: 108-94568		DRAWING NO: 00779	
1 PLC ±		APPLICATION SPEC: 114-94431		CAGE CODE: 00779	
2 PLC ±		VERARBEITUNGSPEC: 114-94431		DRAWING NO: 00779	
3 PLC ±		FINISHSCHRAUBEN/FARBEN		SCALE: 1:1	
4 PLC ±		WEIGHT: see table		SHEET: 2 OF 2	
MATERIAL: see table		ANGLES/SHOULDER: see table		REV: B2	
		CUSTOMER DRAWING		SCALE: 1:1	

X-ON Electronics

Largest Supplier of Electrical and Electronic Components

Click to view similar products for [Automotive Connectors](#) category:

Click to view products by [TE Connectivity](#) manufacturer:

Other Similar products are found below :

[003-018-000](#) [60403001](#) [60993906-B](#) [M902-2131](#) [M902-2161](#) [72.330.1035.1](#) [73.353.4028.0](#) [F119300-B](#) [F166900](#) [F258300-B](#) [F358300-B](#)
[F407400](#) [F444110](#) [F487000](#) [F509500B-B](#) [827153-1](#) [8N1515-32-24P](#) [9-1326729-8](#) [925474-1](#) [928905-1](#) [964562-4](#) [968782-1](#) [GT17SA-8DS-](#)
[HU](#) [98891-1012](#) [98947-1016](#) [12004147](#) [12004475-L](#) [12010290](#) [12010309-B](#) [12015454](#) [12020219-B](#) [12020308](#) [12041318-B](#) [12052225-L](#)
[12052466](#) [12059125](#) [12064869](#) [12004327-B](#) [12010503-B](#) [12015308](#) [12015384](#) [12015909](#) [1-21030-1](#) [12041254](#) [12041318](#) [12047946-B](#)
[12047957](#) [12047957-L](#) [12059473](#) [12066261](#)