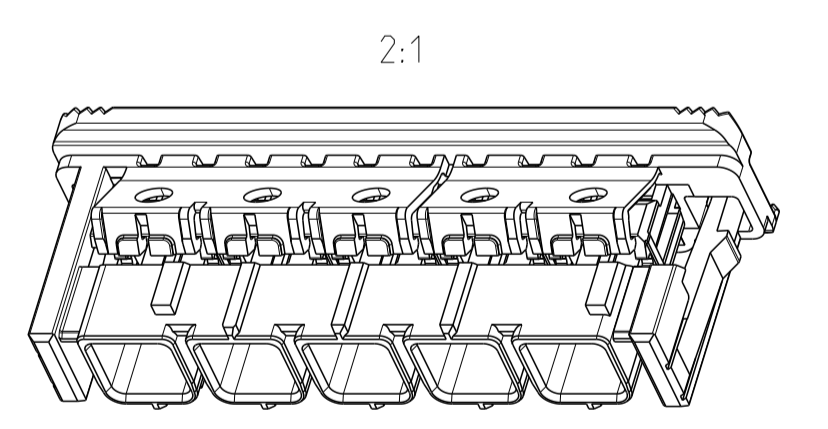
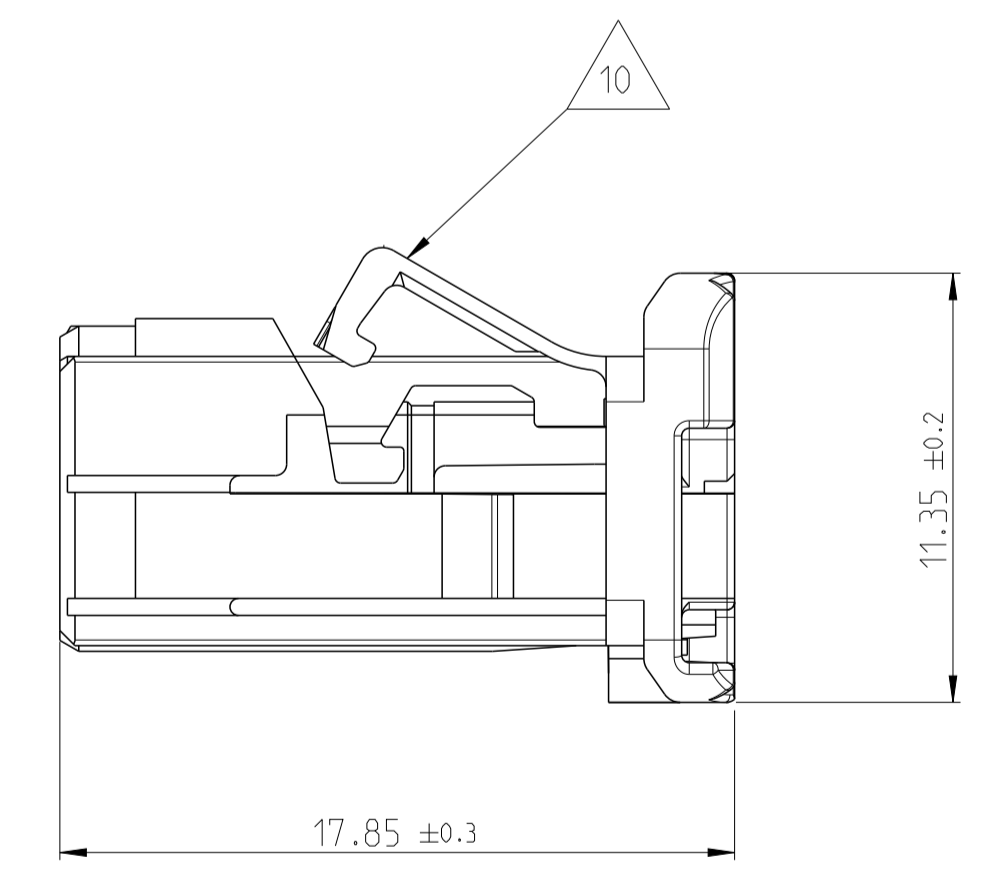
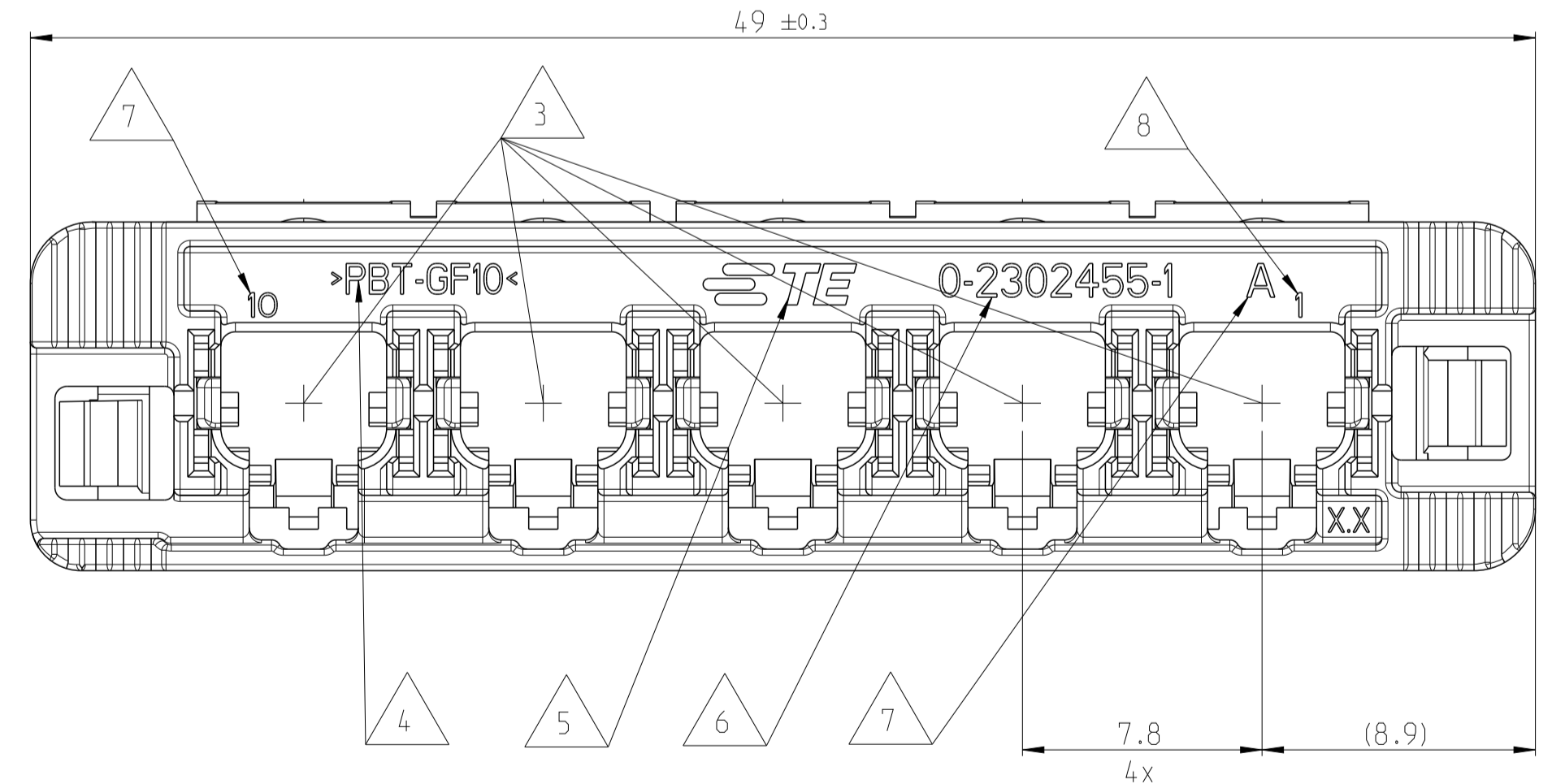
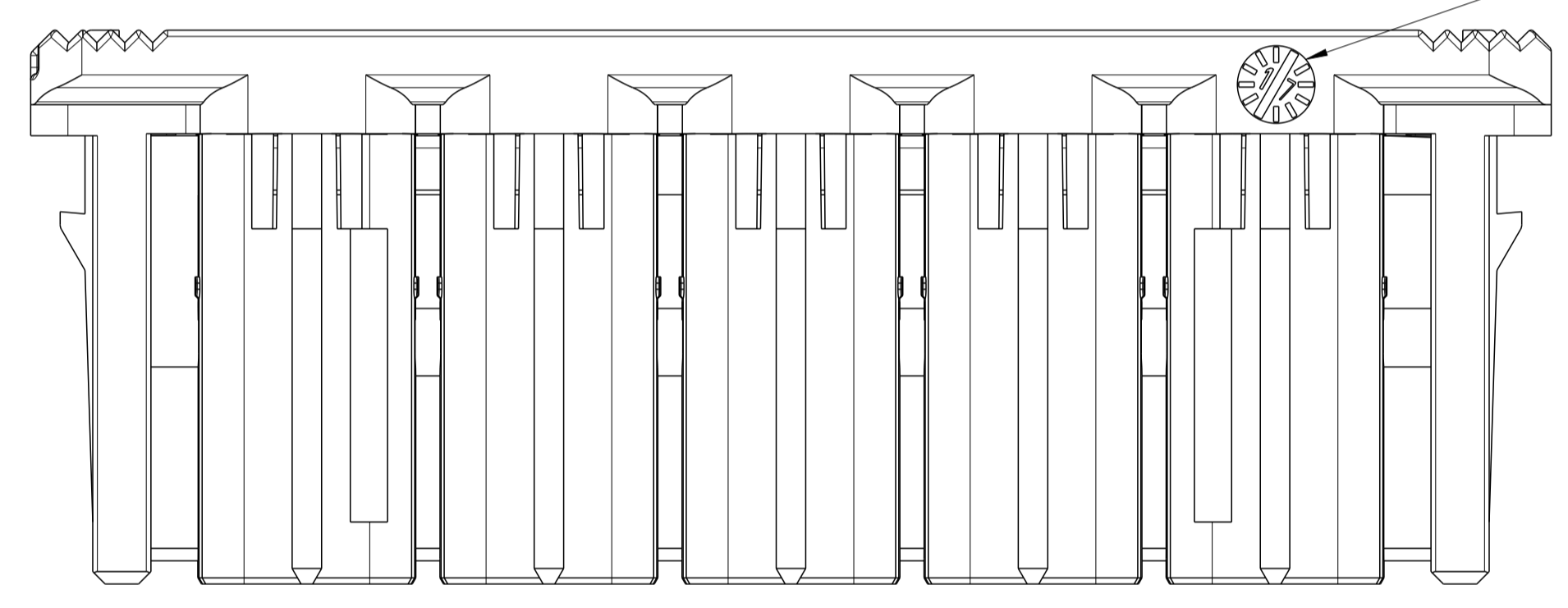
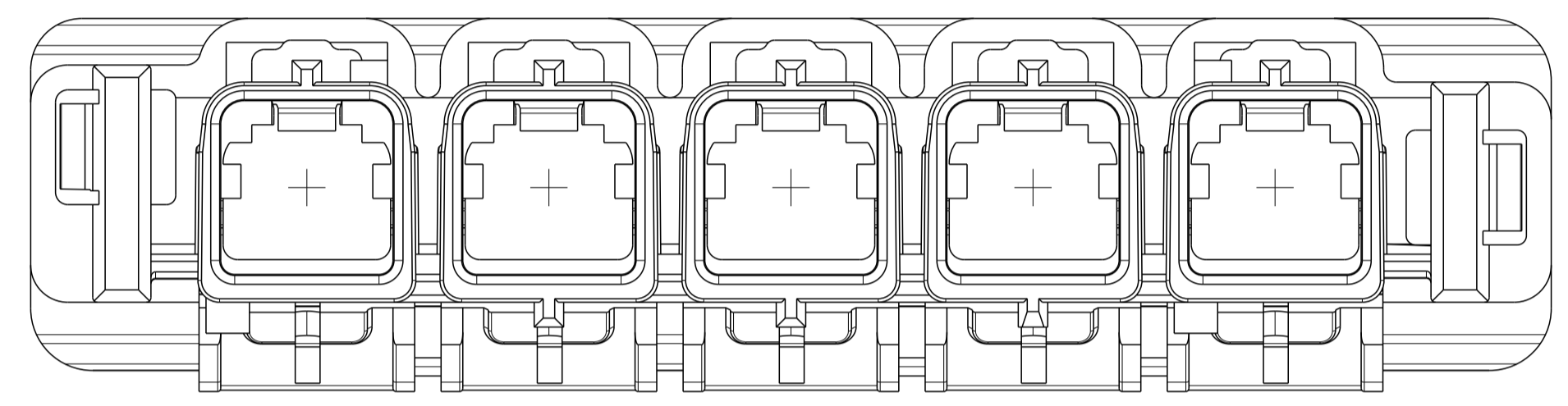
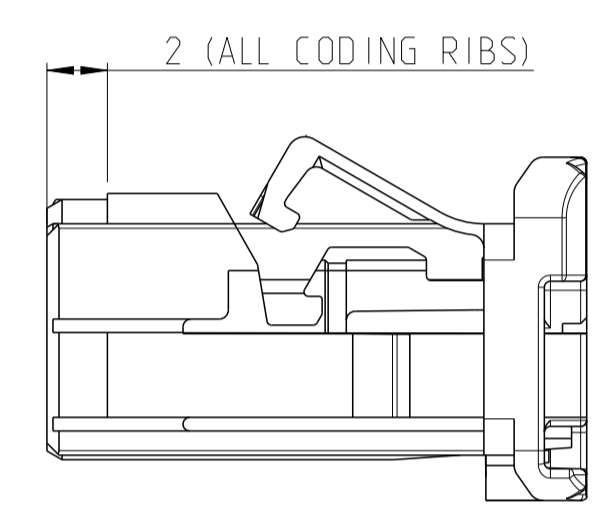
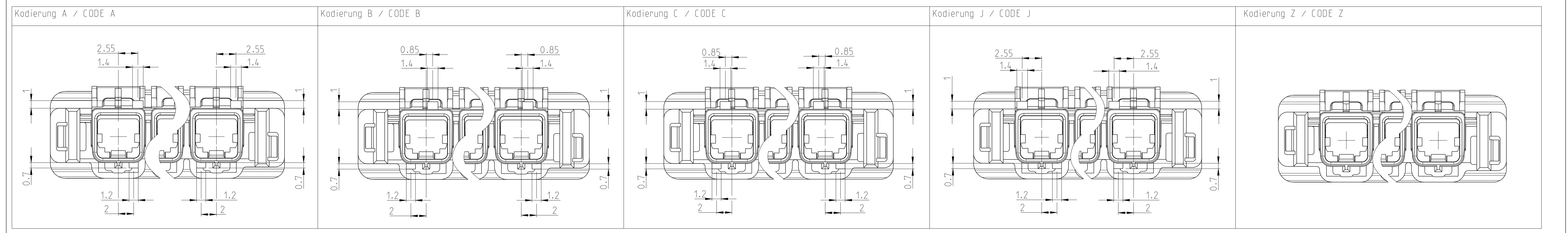
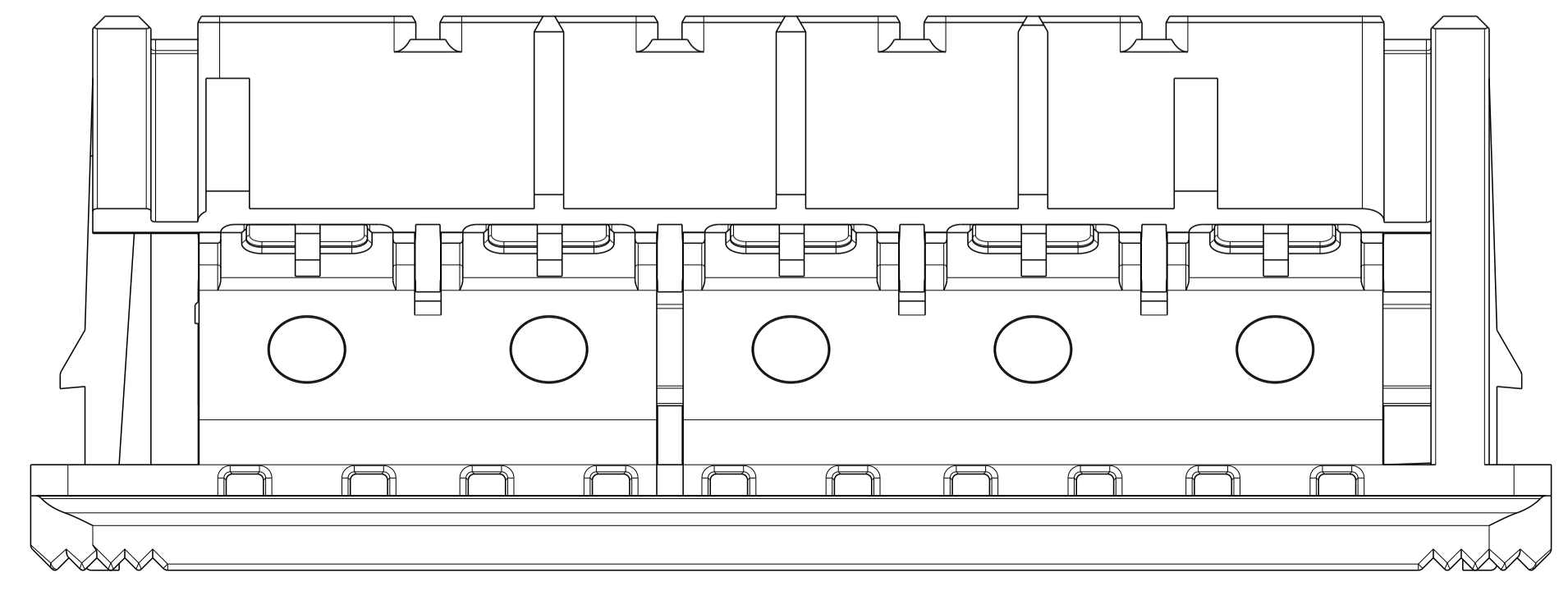
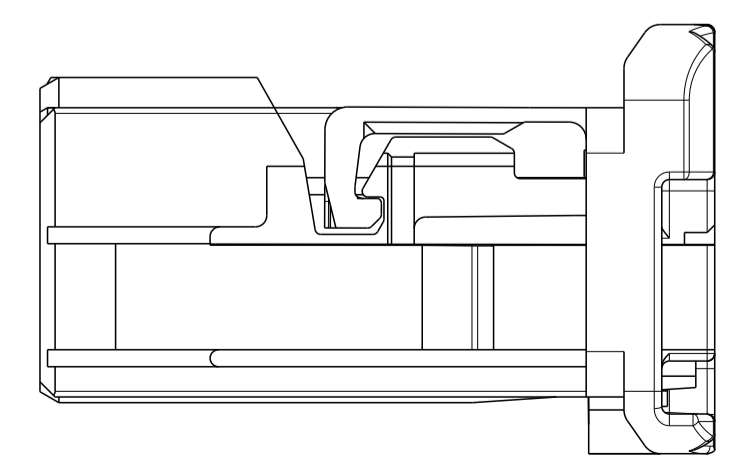


PROJEKT NR.:		REVISIONS ÄNDERUNGEN			
P	LTN	DESCRIPTION BESCHREIBUNG	DATE	DWN	APVD
A		NEW DRAWING	16AUG2016	KIJ	AK
B		E-16-016822 (STP-Contact-Spring Pockets added)	28NOV2016	KIJ	AK
B1		E-17-012393 (added serial parts)	25AUG2017	RW	AK



- Notizen / NOTES:
- 0-2302455-1, Kodierung A wie dargestellt
0-2302455-1, CODING A AS SHOWN
 - Passend zu Stiftwanne nach TE-Schnittstellenzeichnung 208-18010
MATING TO PINHEADER ACC. TE-INTERFACE DRAWING 208-18010
 - Kammer fuer MATenet 2Pos. NanoMQS female Insert module TE-PN 0-2302450-X
CAVITY FOR MATenet 2Pos. NanoMQS FEMALE INSERT MODULE TE-PN 0-2302450-X
 - Materialkennzeichnung
MATERIAL MARKING
 - TE-Logo
TE-LOGO
 - TE-Teile Nummer
TE-PART NUMBER
 - Revisionsstand
PART REVISION
 - Kontaktkammernummern
CONTACT CAVITY NUMBERS
 - Produktionsdatum
PRODUCTION DATE
 - Anlieferzustand: 2. Kontaktsicherung geoeffnet
DELIVERY CONDITION: RETAINER IN OPEN POSITION
 - Verpackung: Schuetffgut im Beutel im Karton
PACKAGING: LOOSE PIECES IN BAG IN BOX

SHOWN IN END-LOCKED POSITION
 Darstellung in Endraststellung

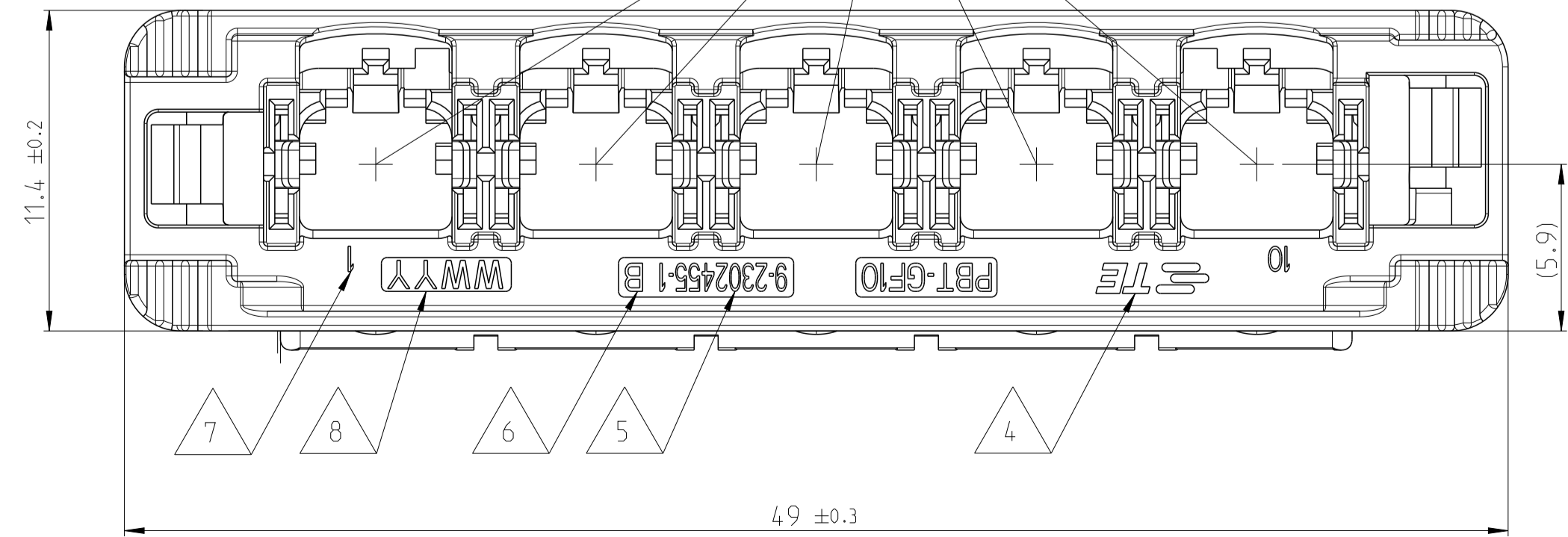
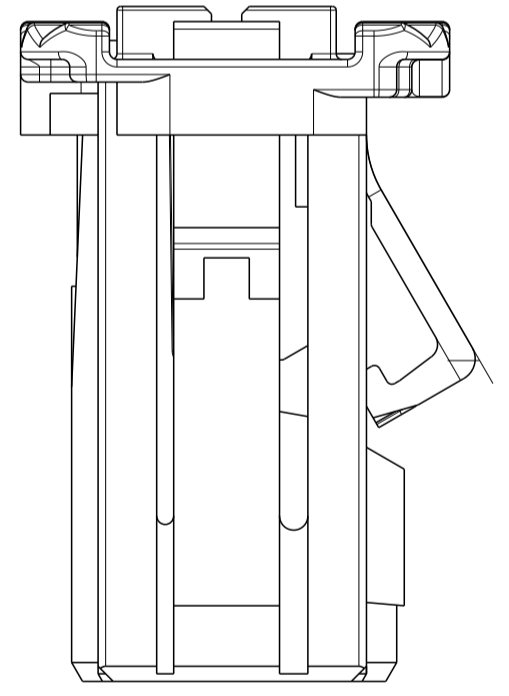
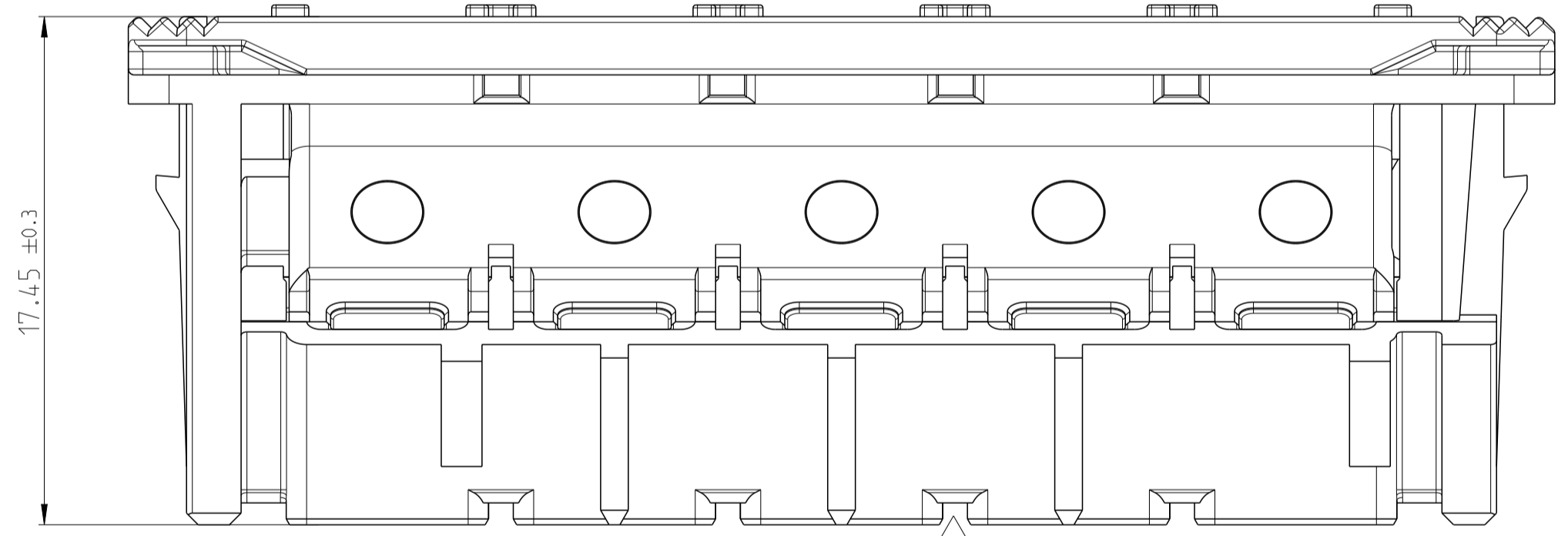
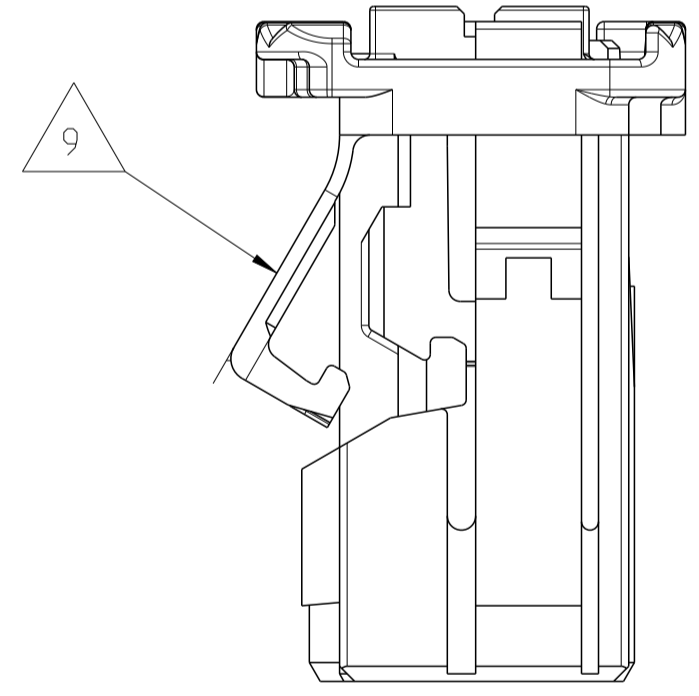
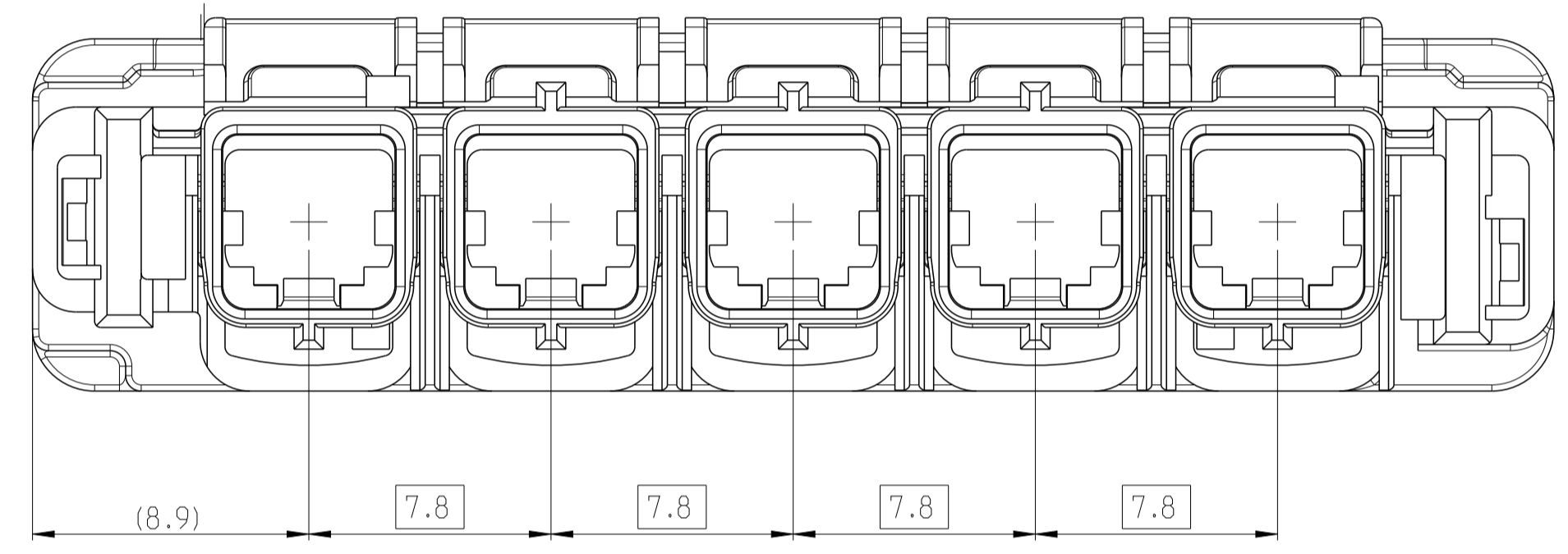
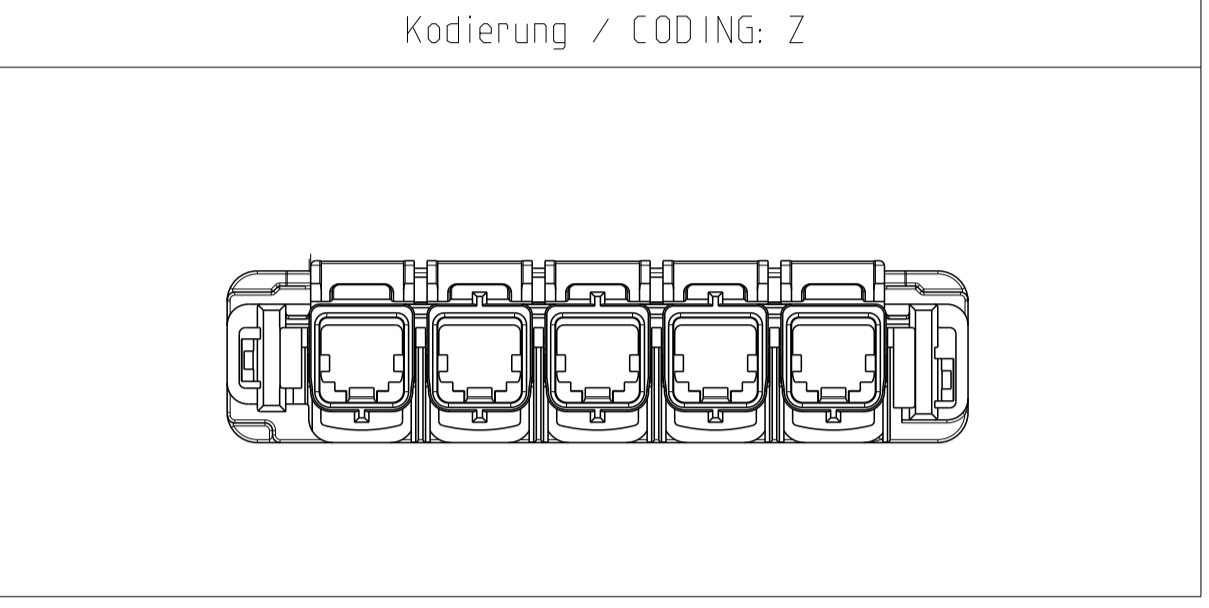
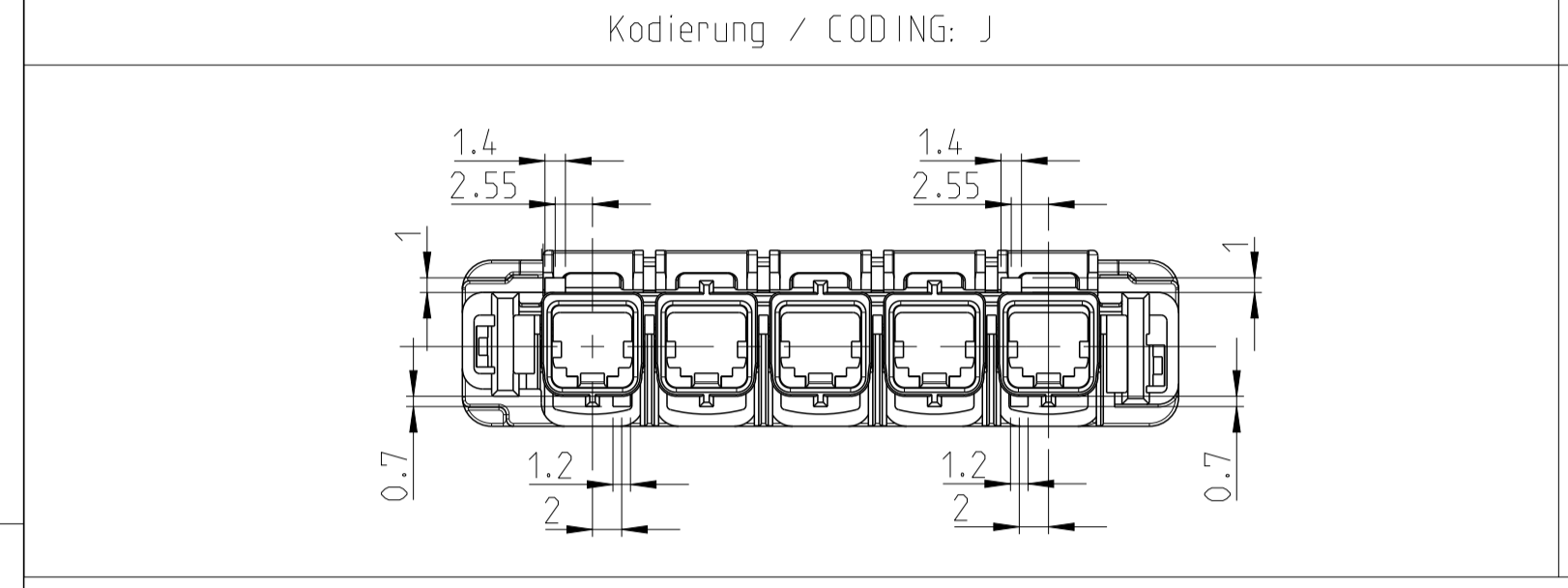
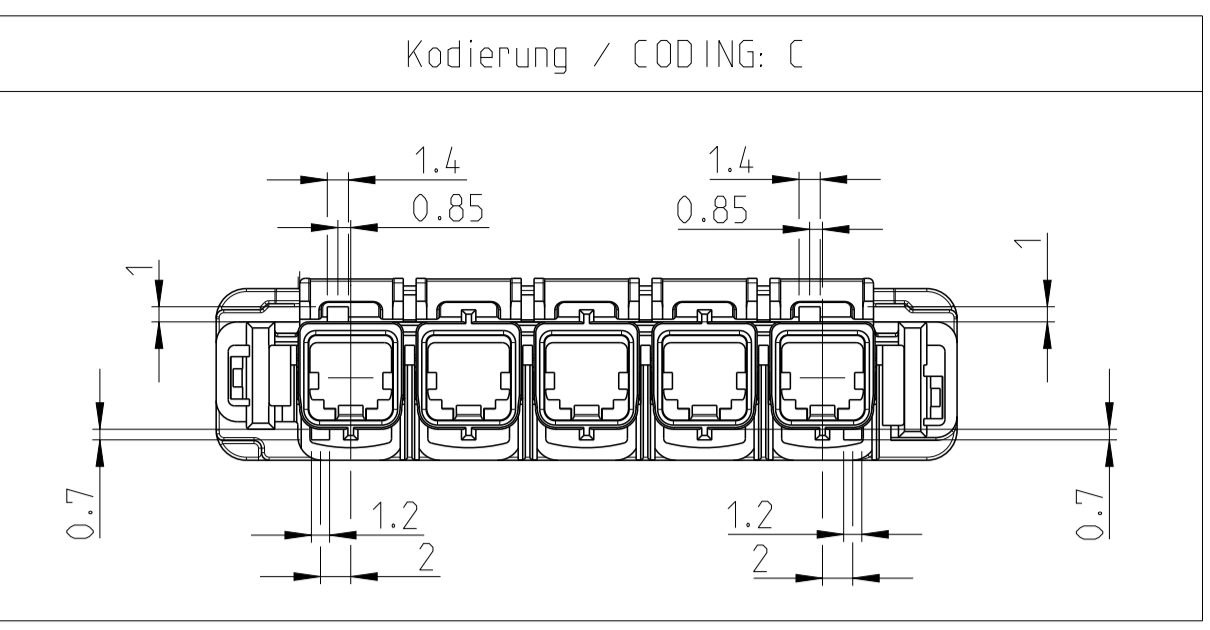
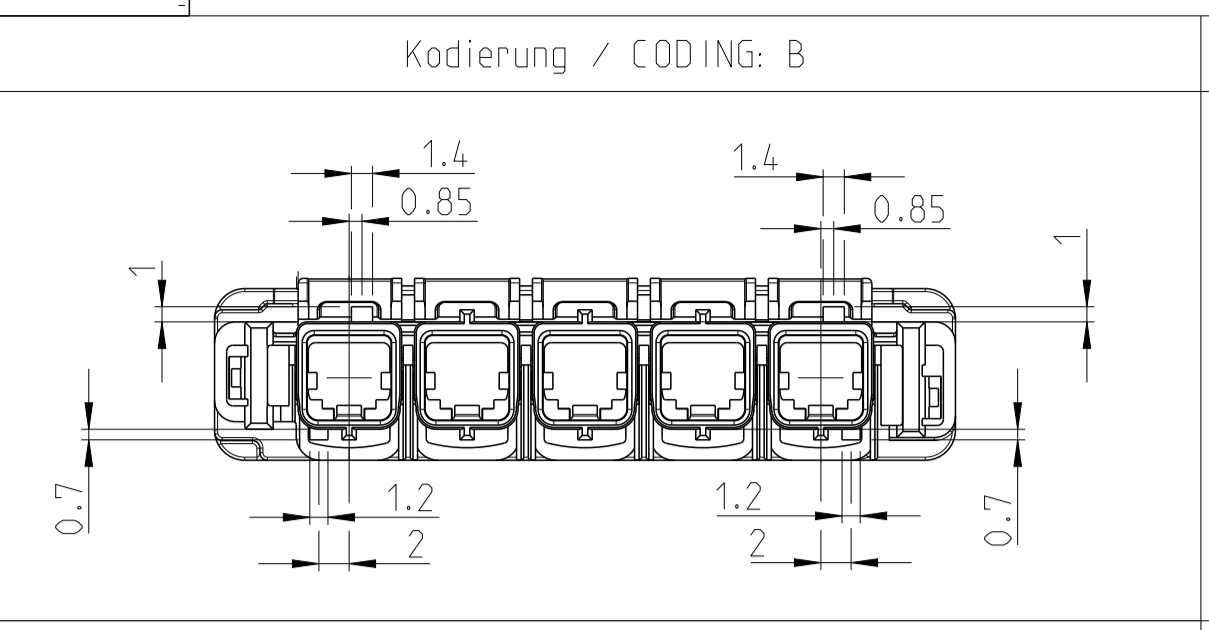
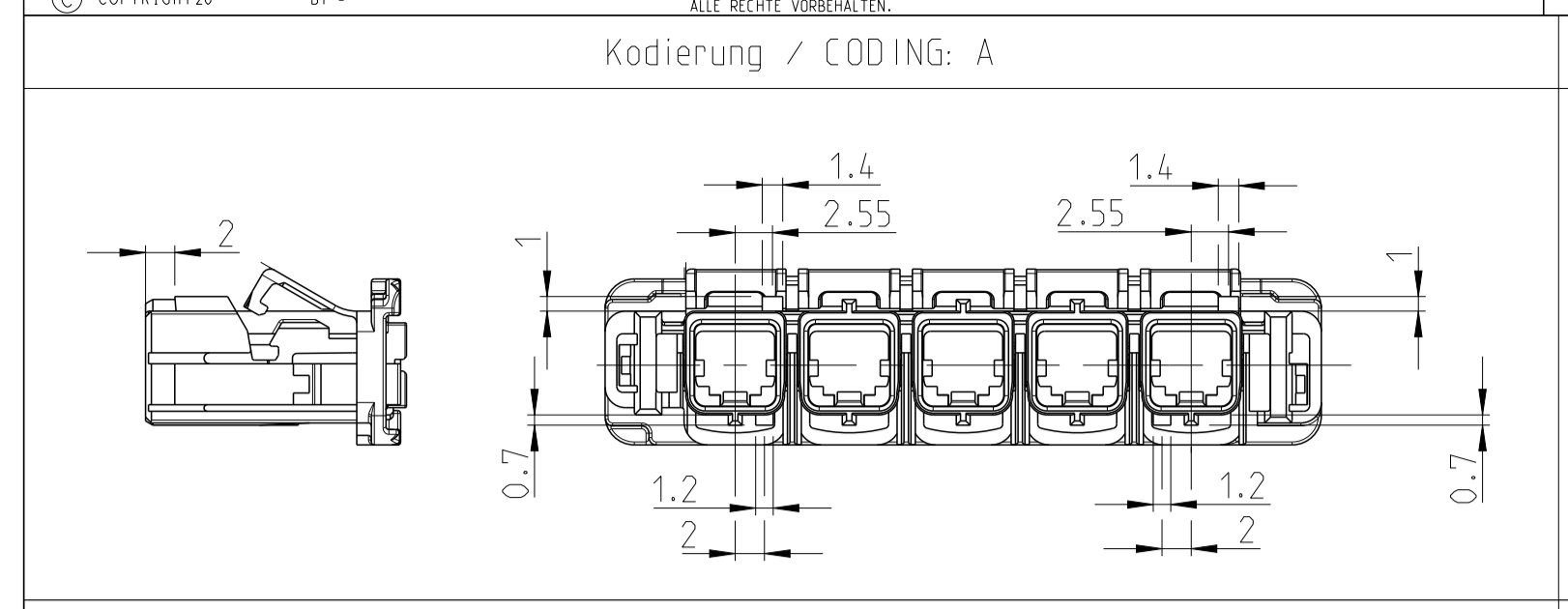


CODE	PART No.	Rev.	DESCRIPTION	MATERIAL	WEIGHT [g]	COLOUR similar RAL
Z	0-2302455-9	A	5-Port MATenet Frame, CODE Z	PBT-GF10 0% regrind	3.4	water-blue 5021
J	0-2302455-7	A	5-Port MATenet Frame, CODE J		3.4	Beige 1001
C	0-2302455-3	A	5-Port MATenet Frame, CODE C		3.4	blue 5012
B	0-2302455-2	A	5-Port MATenet Frame, CODE B		3.4	white 9010
A	0-2302455-1	A	5-Port MATenet Frame, CODE A		3.4	Black 9005

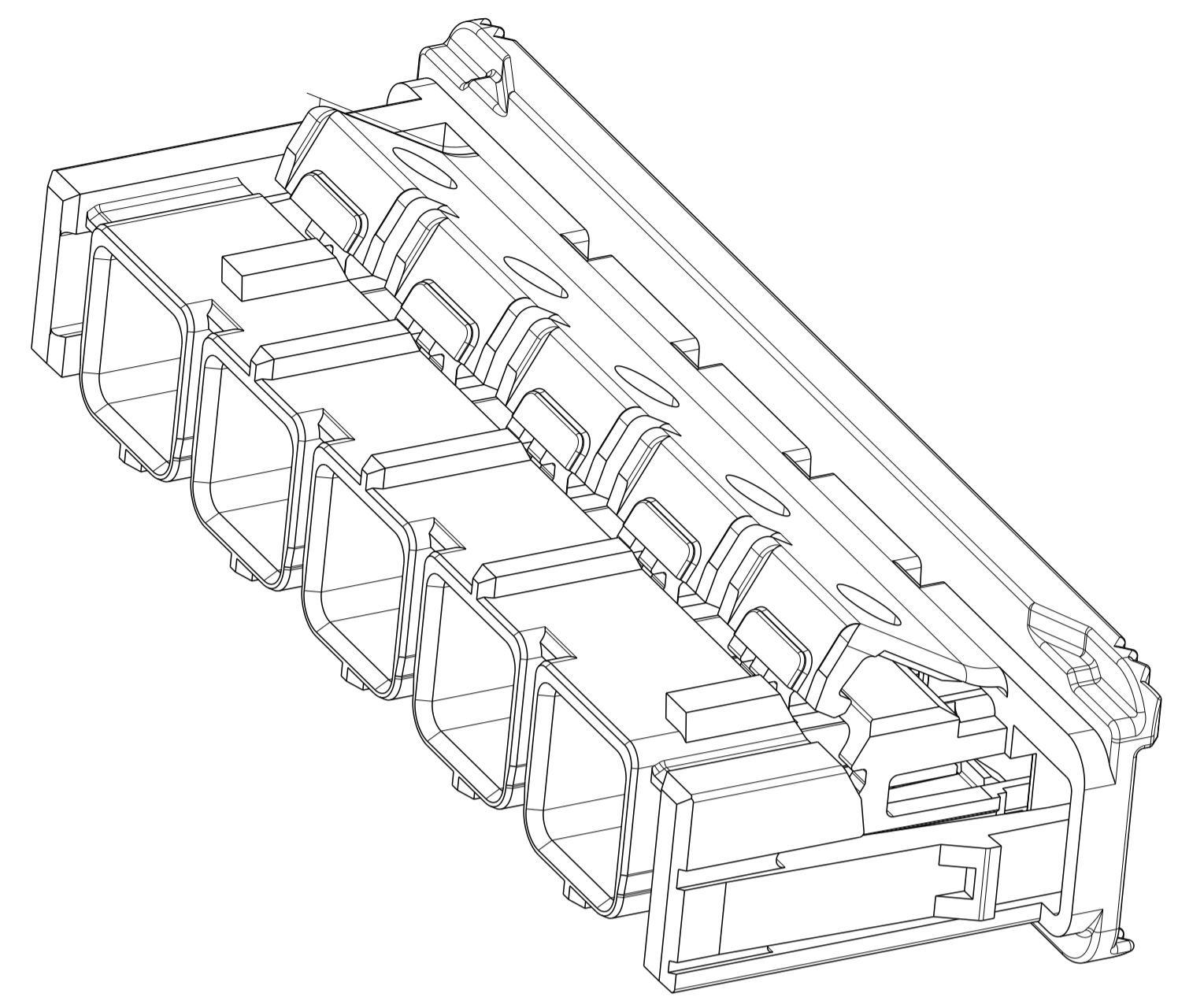
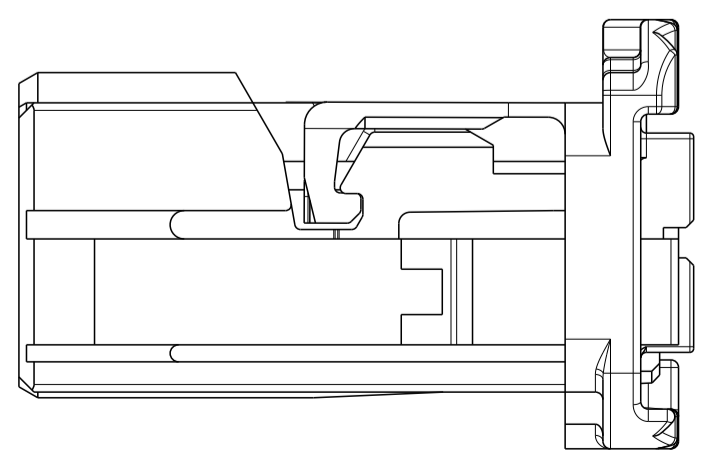
THIS DRAWING IS A CONTROLLED DOCUMENT.

DIMENSIONS: MASSENHEITEN: mm	TOLERANCES UNLESS OTHERWISE SPECIFIED: ALLE DIMENSIONEN	DWN: J. KIESSWEITER 16AUG2016	APVD: R. WUERKER 16AUG2016	NAME: 5-Port MATenet Frame	RESTRICTED TO: NR FUER
0 PLC ±0.2	1 PLC ±0.1	APVD: A. KETTELER 29AUG2016	PRODUCT SPEC: 108-94568	SIZE: A1	REV: B1
2 PLC ±0.1	3 PLC ±0.1	APPLICATION SPEC: 114-94431	SCALE: 5:1	SHEET: 1	OF: 2
4 PLC ±0.1	FINISH/SCHLEIF-FARBE: see table	WEIGHT: see table	CAGE CODE: 00779	DRAWING NO: 2302455	REV: B1
MATERIAL: see table	FINISH/SCHLEIF-FARBE: see table	WEIGHT: see table	CUSTOMER DRAWING	SCALE: 5:1	SHEET: 1

TE Connectivity



2. Kontaktsicherung geschlossen
RETAINER CLOSED



Notizen / NOTES:

- 9-2302455-1, Kodierung A wie dargestellt
9-2302455-1, CODING A AS SHOWN
- Passend zu Stiftwanne nach TE-Schnittstellenzeichnung 208-18010
MATING TO PINHEADER ACC. TE-INTERFACE DRAWING 208-18010
- Kammer fuer MATenet 2Pos. NanoMQS female Insert module TE-PN 9-2302450-X
CAVITY FOR MATenet 2Pos. NanoMQS FEMALE INSERT MODULE TE-PN 9-2302450-X
- TE-Logo
TE-LOGO
- TE-Teile Nummer
TE-PART NUMBER
- Revisionsstand
PART REVISION
- Kontaktkammernummern
CONTACT CAVITY NUMBERS
- Produktionsdatum
PRODUCTION DATE
- Anlieferzustand: 2. Kontaktsicherung geöffnet
DELIVERY CONDITION: RETAINER IN OPEN POSITION
- Verpackung: Schuetzgut im Beutel im Karton
PACKAGING: LOOSE PIECES IN BAG IN BOX

**B-MUSTER
PROTOTYPE B-SAMPLES**

CODE	PART No.	Rev.	DESCRIPTION	MATERIAL	WEIGHT [g]	COLOUR similar RAL
Z	9-2302455-9	B	5-Port MATenet Frame, CODE Z	PBT-GF10 0% regrind	3.0	water-blue 5021
J	9-2302455-7	B	5-Port MATenet Frame, CODE J		3.1	Beige 1001
C	9-2302455-3	B	5-Port MATenet Frame, CODE C		3.1	blue 5012
B	9-2302455-2	B	5-Port MATenet Frame, CODE B		3.1	white 9010
A	9-2302455-1	B	5-Port MATenet Frame, CODE A		3.1	Black 9005

THIS DRAWING IS A CONTROLLED DOCUMENT.

TE Connectivity

DATE: 29AUG2016

NAME: 5-Port MATenet Frame

5-PORT MATenet FRAME

SIZE: A1

CAGE CODE: 00779

DRAWING NO: 2302455

RESTRICTED TO: NUR FÜR

SCALE: 1:1

SHEET: 2 OF 2

REV: B1

X-ON Electronics

Largest Supplier of Electrical and Electronic Components

Click to view similar products for [Automotive Connectors](#) category:

Click to view products by [TE Connectivity](#) manufacturer:

Other Similar products are found below :

[003-018-000](#) [60403001](#) [60993906-B](#) [M902-2131](#) [M902-2161](#) [M902-2344](#) [72.330.1035.1](#) [73.353.4028.0](#) [F119300-B](#) [F166900](#) [F258300-B](#)
[F358300-B](#) [F407400](#) [F444110](#) [F487000](#) [F509500B-B](#) [827153-1](#) [8N1515-32-24P](#) [9-1326729-8](#) [925474-1](#) [928905-1](#) [964562-4](#) [968782-1](#)
[GT17SA-8DS-HU](#) [98891-1012](#) [98947-1016](#) [12004147](#) [12004475-L](#) [12010290](#) [12010309-B](#) [12015454](#) [12020219-B](#) [12041318-B](#) [12052225-](#)
[L](#) [12052466](#) [12064869](#) [12004327-B](#) [12015308](#) [12015384](#) [12015909](#) [1-21030-1](#) [12041254](#) [12041318](#) [12047946-B](#) [12047957](#) [12047957-L](#)
[12059473](#) [12066261](#) [12110546](#) [12110546-B](#)