

THIS DRAWING IS UNPUBLISHED. VERTRÄULICHE UNVERÖFFENTLICHTE ZEICHNUNG. RELEASED FOR PUBLICATION FREI FUER VERÖFFENTLICHUNG. 2017. MATED WITH: PASSEND ZU: ALL RIGHTS RESERVED. ALLE RECHTE VORBEHALTEN.

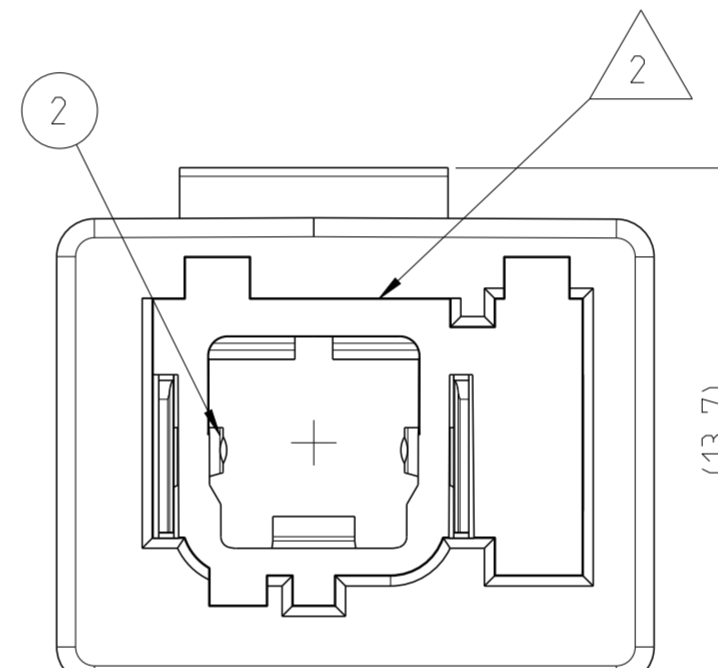
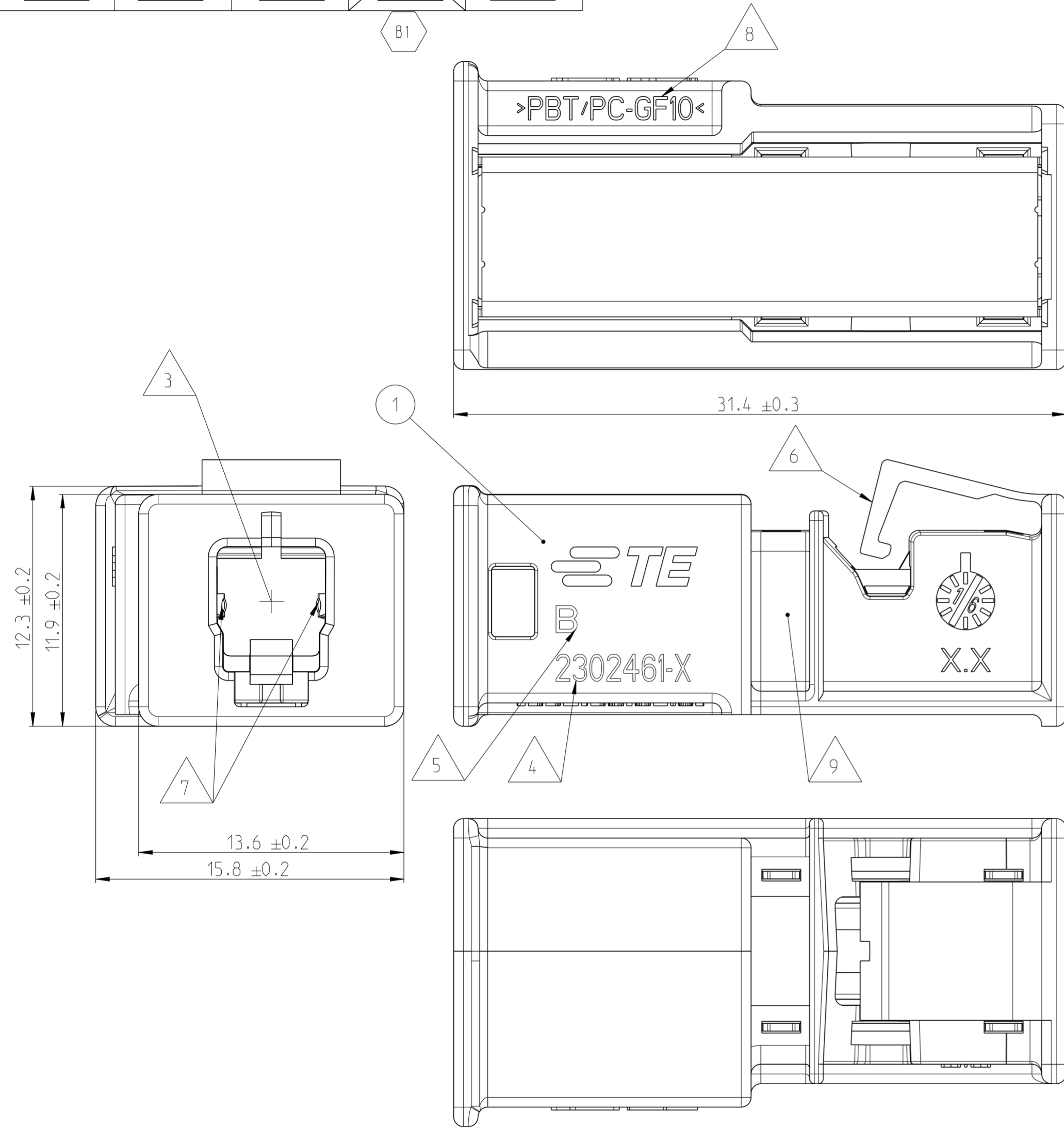
Kodierungen nach TE Schnittstellenzeichnung 208-18006 / CODINGS ACC. TE INTERFACE DRAWING 208-18006

| | | | | |
|--------|--------|--------|--------|--------|
| CODE A | CODE B | CODE C | CODE J | CODE Z |
| | | | | |

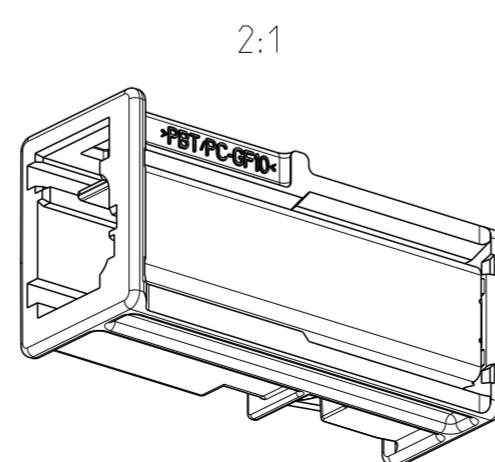
| PROJEKT NR.: | | REVISIONS | | | | |
|--------------|-----|-------------|-------------|-----------|-----|------|
| P | LTR | ÄNDERUNGEN | DESCRIPTION | DATE | DWN | APVD |
| | A2 | E-18-010938 | | 11JUL2018 | MST | AK |
| | A3 | E-19-002835 | | 20FEB2019 | MST | AK |
| | B | E-19-004546 | | 21MAR2019 | RW | AK |
| | B1 | E-19-019289 | | 11DEC2019 | RW | AK |

Notizen/NOTES

- 2302461-1 Kodierung A wie dargestellt
2302461-1 CODE A AS SHOWN
- Steckgesicht nach
TE Schnittstellenzeichnung 208-18006
INTERFACE ACC.
TE INTERFACE DRAWING 208-18006
- Kammer fuer MATenet 2Pos. NanoMQS
male Insert module TE PN 2302451-1
CAVITY FOR MATenet 2Pos. NanoMQS
MALE INSERT MODULE TE PN 2302451-1
- Baugruppen-PN, siehe Tabelle
ASSEMBLY-PN, SEE TABLE
- Revisionsstand, siehe Tabelle
PART REVISION, SEE TABLE
- Anlieferungszustand: 2. Kontaktsicherung in offen
CONDITION OF DELIVERY: RETAINER IN OPEN POSITION
- Kontaktfedern fuer elektrische Anbindung von
Kabelschirm
CONTACT SPRINGS FOR ELECTRICAL CONNECTION OF
WIRE SHIELDING
- Materialkennzeichnung
MATERIAL MARKING
- Bereich fuer Kabelbinder bis 2.5mm Breite
AREA FOR CABLE TIE UP TO 2.5mm WIDTH
- Verpackung: Schuetztgut im Beutel im Karton
DELIVERY: LOOSE PIECES IN BAG IN BOX



| ASSY PN | REV. | CODE | QTY. | DESCRIPTION | MATERIAL | COLOR/SURFACE | WEIGHT [g] | POS |
|-----------|------|------|------|--------------------------------------|-------------|---------------|------------|-----|
| 2302461-9 | B | Z | 1 | MATenet In-line Coupler Sheet | X10CrNi18-8 | Ni | 4.5 | 2 |
| | | | 1 | MATenet In-line Coupler HSG., Code Z | PBT/PC-GF10 | WATER BLUE | | 1 |
| 2302461-7 | B | J | 1 | MATenet In-line Coupler Sheet | X10CrNi18-8 | Ni | 4.5 | 2 |
| | | | 1 | MATenet In-line Coupler HSG., Code J | PBT/PC-GF10 | BEIGE | | 1 |
| 2302461-3 | B | C | 1 | MATenet In-line Coupler Sheet | X10CrNi18-8 | Ni | 4.5 | 2 |
| | | | 1 | MATenet In-line Coupler HSG., Code C | PBT/PC-GF10 | BLUE | | 1 |
| 2302461-2 | B | B | 1 | MATenet In-line Coupler Sheet | X10CrNi18-8 | Ni | 4.5 | 2 |
| | | | 1 | MATenet In-line Coupler HSG., Code B | PBT/PC-GF10 | WHITE | | 1 |
| 2302461-1 | B | A | 1 | MATenet In-line Coupler Sheet | X10CrNi18-8 | Ni | 4.5 | 2 |
| | | | 1 | MATenet In-line Coupler HSG., Code A | PBT/PC-GF10 | BLACK | | 1 |



THIS DRAWING IS A CONTROLLED DOCUMENT. DWN: R. Wuerker, 08AUG2016. CHK: A. Ketteler, 23SEP2016. APVD: W. Mueller, 23SEP2016.

DIMENSIONS: MASSE IN HEITEN: (MM). TOLERANCES UNLESS OTHERWISE SPECIFIED: ALLGEMEINTOLERANZEN. 0 PLC ±0.3, 1 PLC ±0.3, 2 PLC ±, 3 PLC ±, 4 PLC ±. ANGLES/WINKEL: #2°. FINISH/OBERFLAECHE/FARBE: see table.

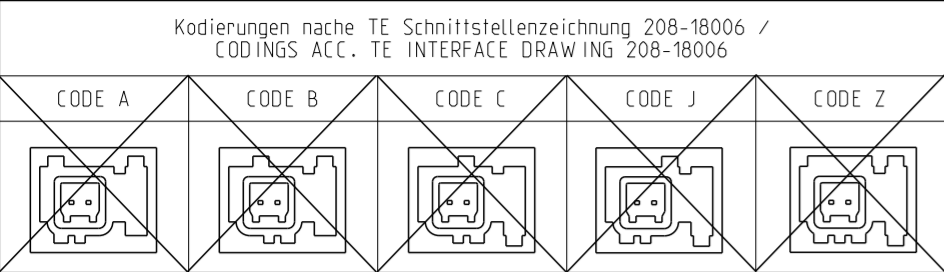
MATERIAL: see table. WEIGHT: see table.

CUSTOMER DRAWING / KUNDENZEICHUNG. SCALE: MASSSTAB 5:1. SHEET: BLATT 1 OF 2. REV: B1.

TE Connectivity logo and name. NAME: MATenet In-line Coupler Ass'y. SIZE: A2. CAGE CODE: 00779. DRAWING NO: C-2302461. RESTRICTED TO NUR FUER: -.

THIS DRAWING IS UNPUBLISHED. VERTRAULICHE UNVERÖFFENTLICHTE ZEICHNUNG
 RELEASED FOR PUBLICATION FREI FUER VERÖFFENTLICHUNG
 2016
 MATED WITH: PASSEND ZU:
 COPYRIGHT 2016 TE Connectivity Germany GmbH
 ALL RIGHTS RESERVED. ALLE RECHTE VORBEHALTEN.

| P | LTR | REVISIONS AENDERUNGEN | DESCRIPTION | DATE | DWN | APVD |
|---|-------------|-----------------------|-------------|------|-----|------|
| - | SEE SHEET 1 | | | | | |

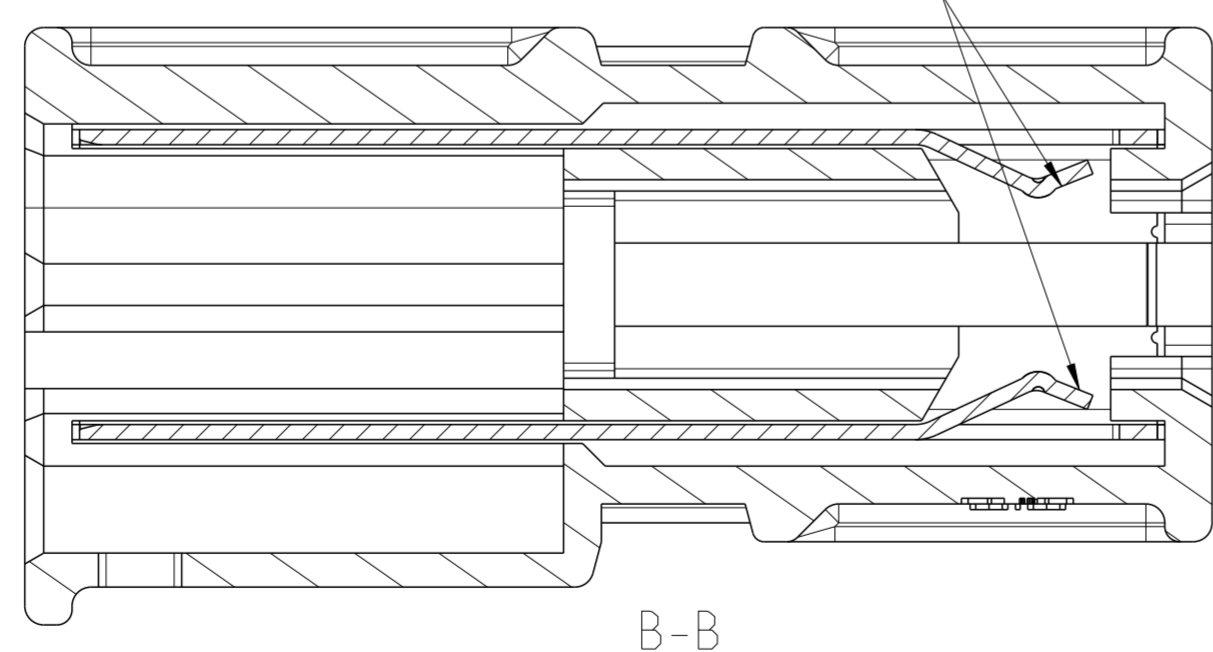
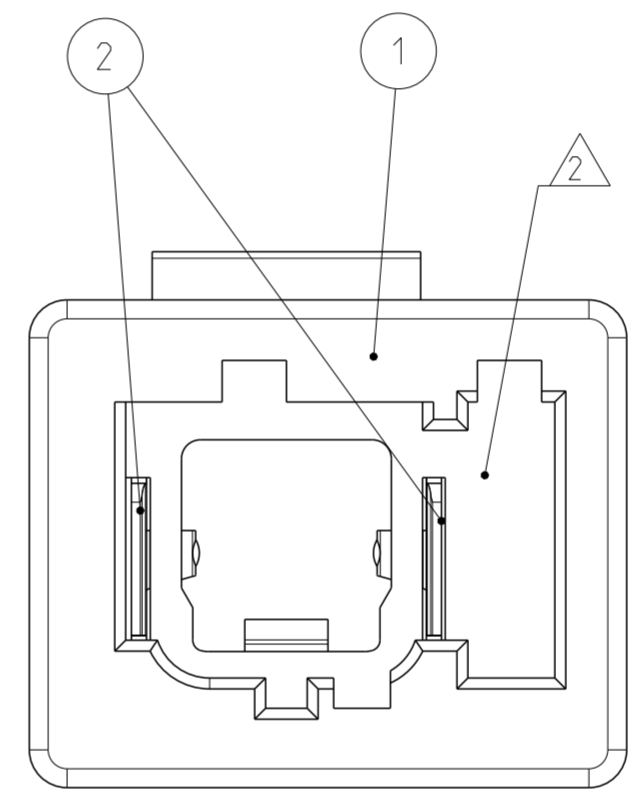
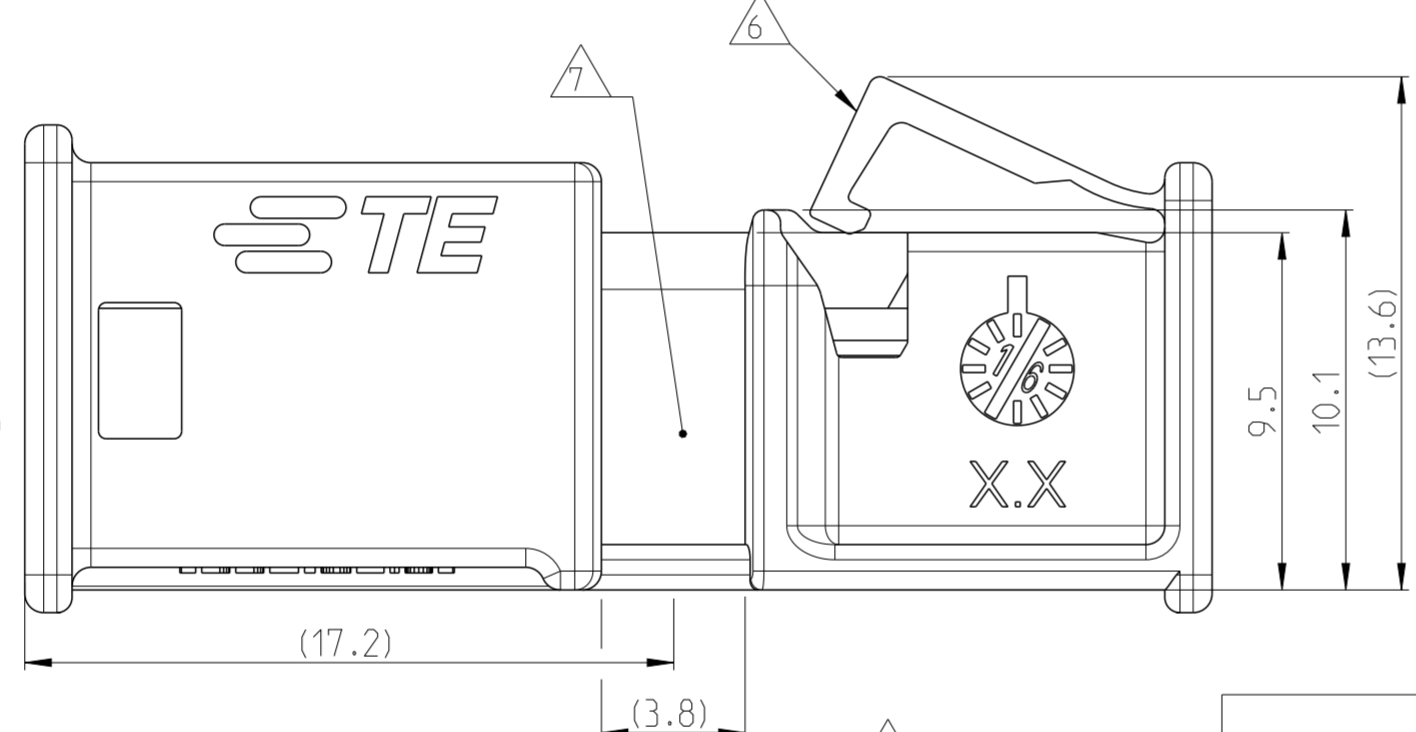
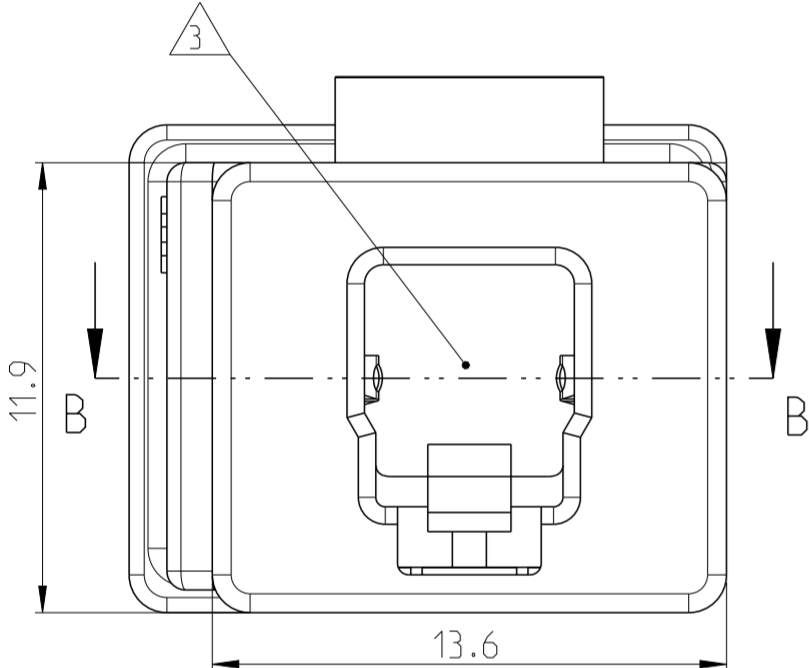
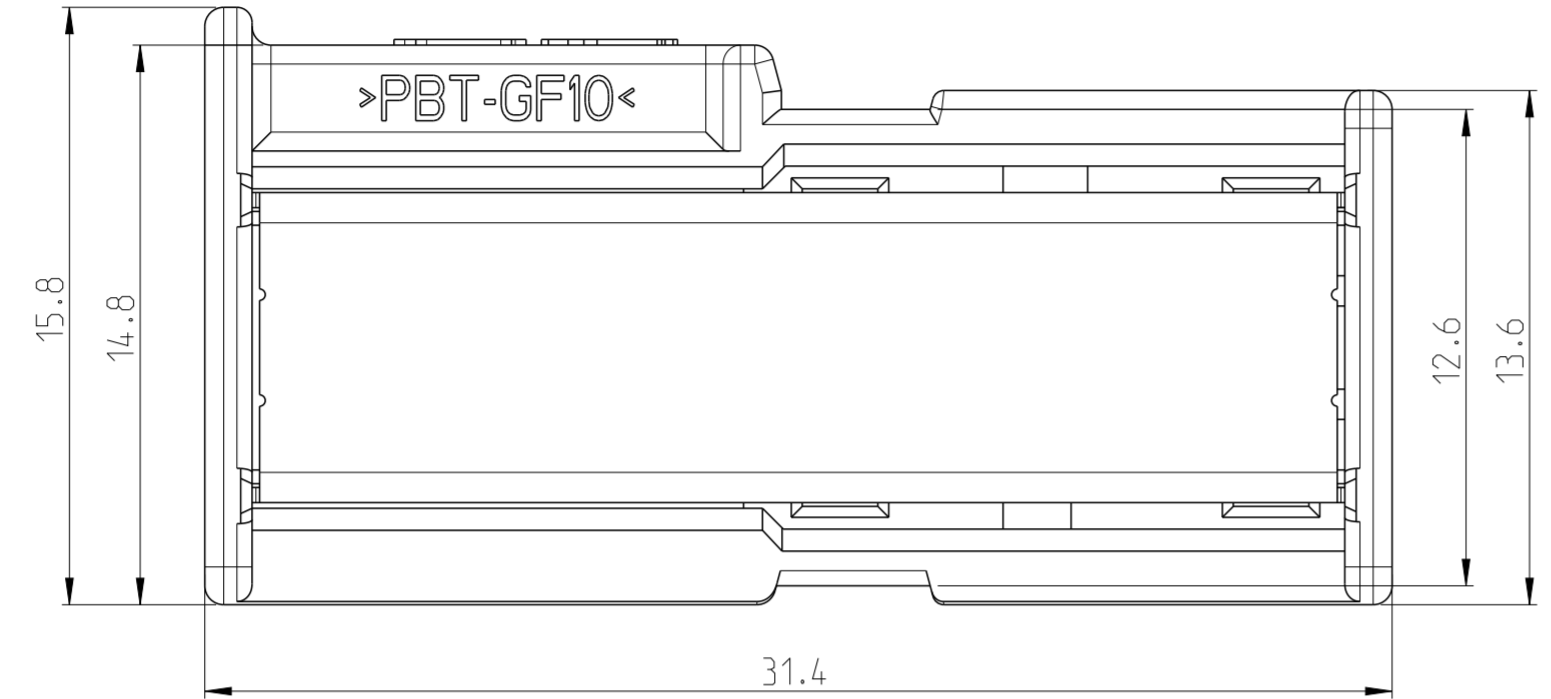


B1

B1

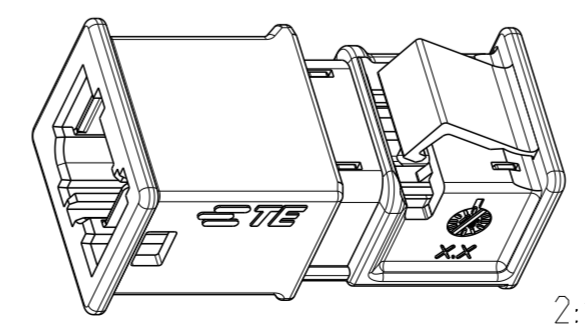
OBSOLETE

- Notizen/NOTES
- 9-2302461-2 Kodierung B wie dargestellt
9-2302461-2 CODE B AS SHOWN
 - Steckgesicht und Kodierungen nach TE Schnittstellenzeichnung 208-18006 INTERFACE AND CODINGS ACC. TE INTERFACE DRAWING 208-18006
 - Kammer fuer MATEnet 2Pos. NanoMQS male Insert module TE PN 9-2302451-1 CAVITY FOR MATEnet 2Pos. NanoMQS MALE INSERT MODULE TE PN 9-2302451-1
 - ~~TE Teil Number
TE Part Number~~
 - ~~Revisionsstand
PART REVISION~~
 - Anlieferungszustand: 2. Kontaktsicherung in offen
CONDITION OF DELIVERY: RETAINER IN OPEN POSITION
 - Bereich fuer Kabelbinder bis 3.5mm Breite
AREA FOR CABLE TIE UP TO 3.5mm WIDTH
 - Kontaktfedern fuer elektrische Anbindung von Meterware Schirm
CONTACT SPRINGS FOR ELECTRICAL CONNECTION OF WIRE SHIELDING
 - Verpackung: Karton
PACKAGING: BOX



| STATE | ASSY PN | REV. | CODE | QTY. | DESCRIPTION | MATERIAL | COLOR/SURFACE | WEIGHT [g] | POS |
|----------|-------------|------|------|------|-------------------------------------|-------------|---------------|------------|-----|
| OBSOLETE | 9-2302461-9 | A | Z | 1 | MATEnet Inline Coupler Sheet | X10CrNi18-8 | NI | 4.9 | 2 |
| OBSOLETE | 9-2302461-9 | A | Z | 1 | MATEnet Inline Coupler HSG., Code Z | PBT-GF10 | WATER BLUE | 4.9 | 1 |
| OBSOLETE | 9-2302461-7 | A | J | 1 | MATEnet Inline Coupler Sheet | X10CrNi18-8 | NI | 4.9 | 2 |
| OBSOLETE | 9-2302461-7 | A | J | 1 | MATEnet Inline Coupler HSG., Code J | PBT-GF10 | BEIGE | 4.9 | 1 |
| OBSOLETE | 9-2302461-4 | A | D | 1 | MATEnet Inline Coupler Sheet | X10CrNi18-8 | NI | 4.9 | 2 |
| OBSOLETE | 9-2302461-4 | A | D | 1 | MATEnet Inline Coupler HSG., Code D | PBT-GF10 | CLARET VIOLET | 4.9 | 1 |
| OBSOLETE | 9-2302461-3 | A | C | 1 | MATEnet Inline Coupler Sheet | X10CrNi18-8 | NI | 4.9 | 2 |
| OBSOLETE | 9-2302461-3 | A | C | 1 | MATEnet Inline Coupler HSG., Code C | PBT-GF10 | BLUE | 4.9 | 1 |
| OBSOLETE | 9-2302461-2 | A | B | 1 | MATEnet Inline Coupler Sheet | X10CrNi18-8 | NI | 4.9 | 2 |
| OBSOLETE | 9-2302461-2 | A | B | 1 | MATEnet Inline Coupler HSG., Code B | PBT-GF10 | WHITE | 4.9 | 1 |
| OBSOLETE | 9-2302461-1 | A | A | 1 | MATEnet Inline Coupler Sheet | X10CrNi18-8 | NI | 4.9 | 2 |
| OBSOLETE | 9-2302461-1 | A | A | 1 | MATEnet Inline Coupler HSG., Code A | PBT-GF10 | BLACK | 4.9 | 1 |

**FOR PROTOTYPE B-SAMPLE ONLY
NUR FUER B-MUSTER**



THIS DRAWING IS A CONTROLLED DOCUMENT.

DWN: R. Wuerker 08AUG2016
 CHK: A. Ketteler 23SEP2016
 APVD: W. Mueller 23SEP2016

STE TE Connectivity

NAME: MATEnet Inline Coupler Ass'y

SIZE: A2 CAGE CODE: 00779 DRAWING NO: 2302461
 VERARBEITUNGSSPEZ: 114-94431

MATERIAL: see table TOLERANCES UNLESS OTHERWISE SPECIFIED: ALLGEMEINTOLERANZEN
 0 PLC ±0.3
 1 PLC ±0.3
 2 PLC ±
 3 PLC ±
 4 PLC ±
 ANGLES/WINKEL #2°
 FINISH/OBERFLAECHE/FARBE

WEIGHT: see table SCALE: MASSSTAB 5:1 SHEET: 2 OF 2
 CUSTOMER DRAWING /KUNDENZEICHUNG

X-ON Electronics

Largest Supplier of Electrical and Electronic Components

Click to view similar products for [Automotive Connectors](#) category:

Click to view products by [TE Connectivity](#) manufacturer:

Other Similar products are found below :

[003-018-000](#) [60403001](#) [60993906-B](#) [M902-2131](#) [M902-2161](#) [M902-2344](#) [72.330.1035.1](#) [73.353.4028.0](#) [F119300-B](#) [F166900](#) [F258300-B](#)
[F358300-B](#) [F407400](#) [F444110](#) [F487000](#) [F509500B-B](#) [827153-1](#) [8N1515-32-24P](#) [9-1326729-8](#) [925474-1](#) [928905-1](#) [964562-4](#) [968782-1](#)
[GT17SA-8DS-HU](#) [98891-1012](#) [98947-1016](#) [12004147](#) [12004475-L](#) [12010290](#) [12010309-B](#) [12015454](#) [12020219-B](#) [12041318-B](#) [12052225-](#)
[L](#) [12052466](#) [12064869](#) [12004327-B](#) [12015308](#) [12015384](#) [12015909](#) [1-21030-1](#) [12041254](#) [12041318](#) [12047946-B](#) [12047957](#) [12047957-L](#)
[12059473](#) [12066261](#) [12110546](#) [12110546-B](#)