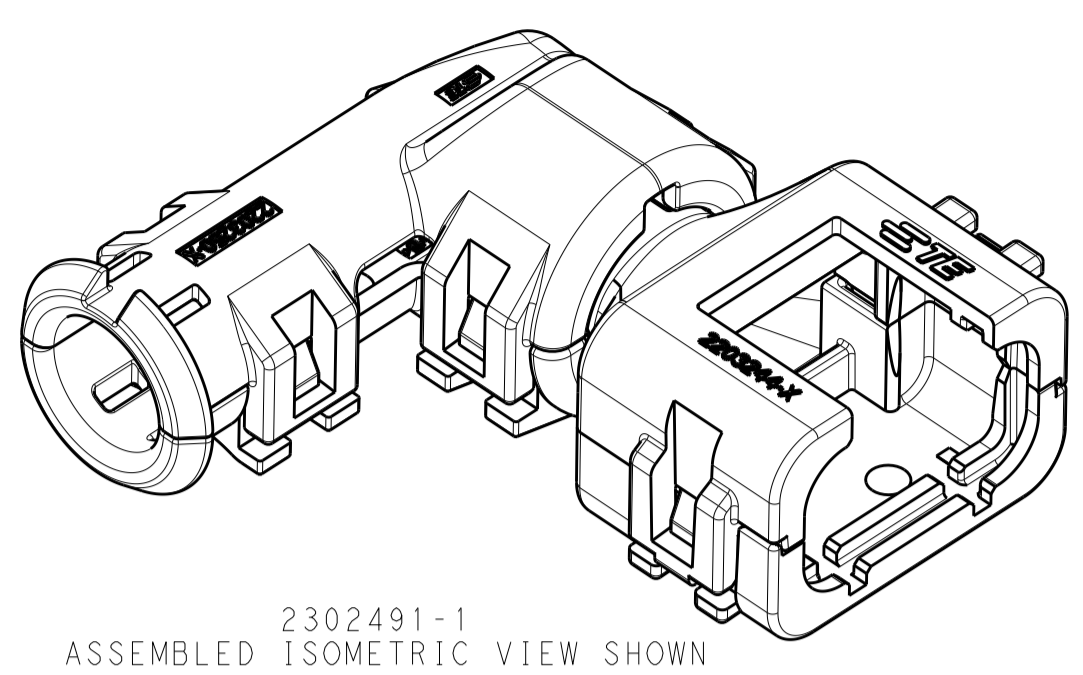
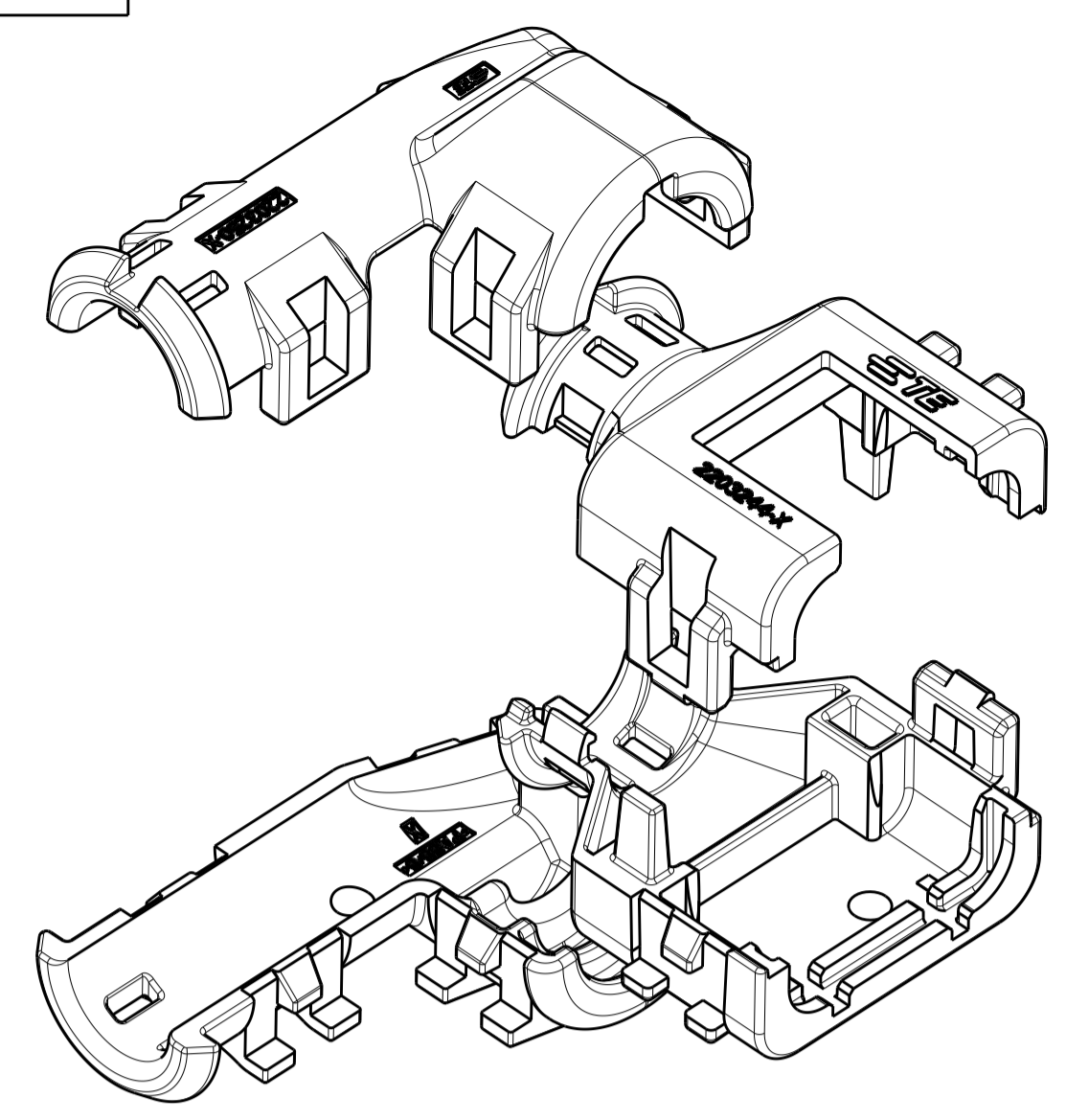


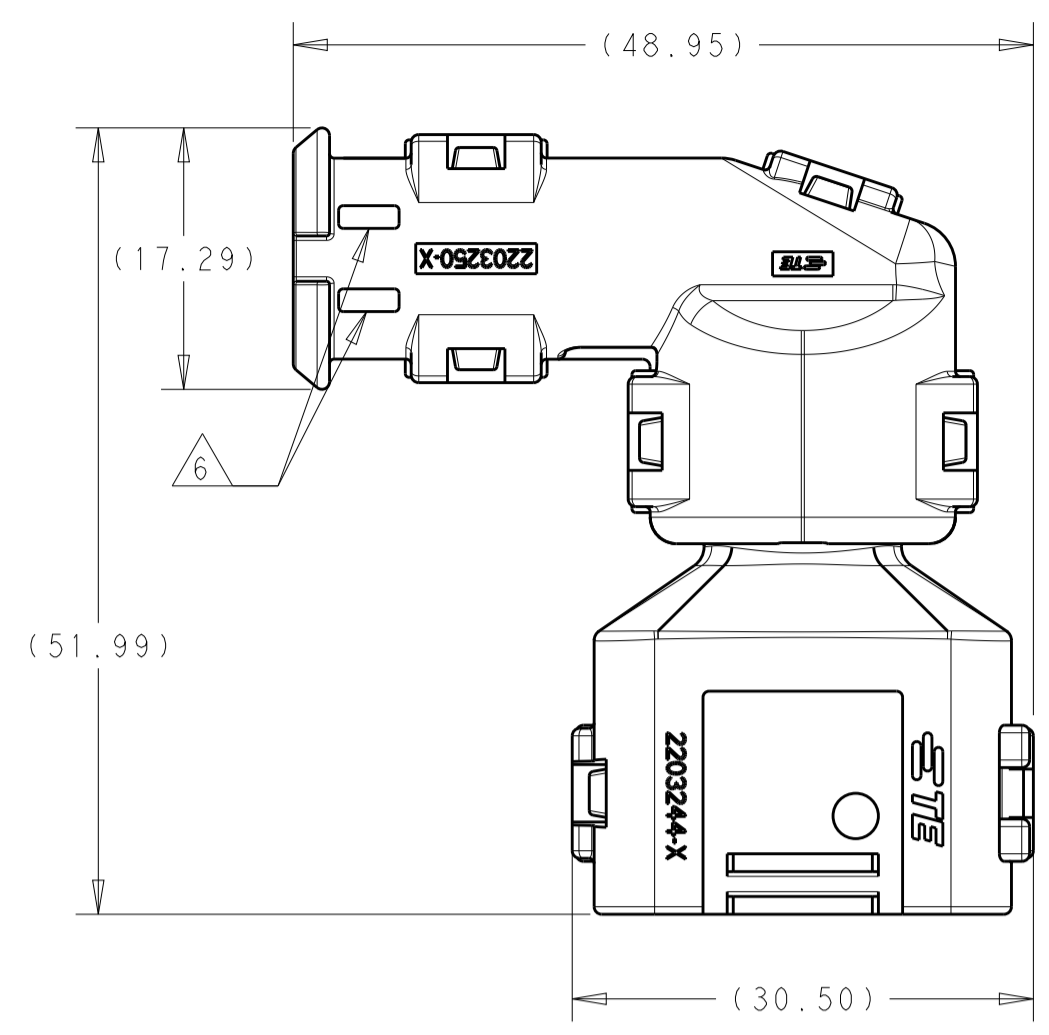
REVISIONS				
P	LTN	DESCRIPTION	DATE	OWN APVD
A		RELEASED PER ECO-16-007279	12MAY2016	JM RB
A2		REV PER ECO-16-013256	08SEP2016	JM RB



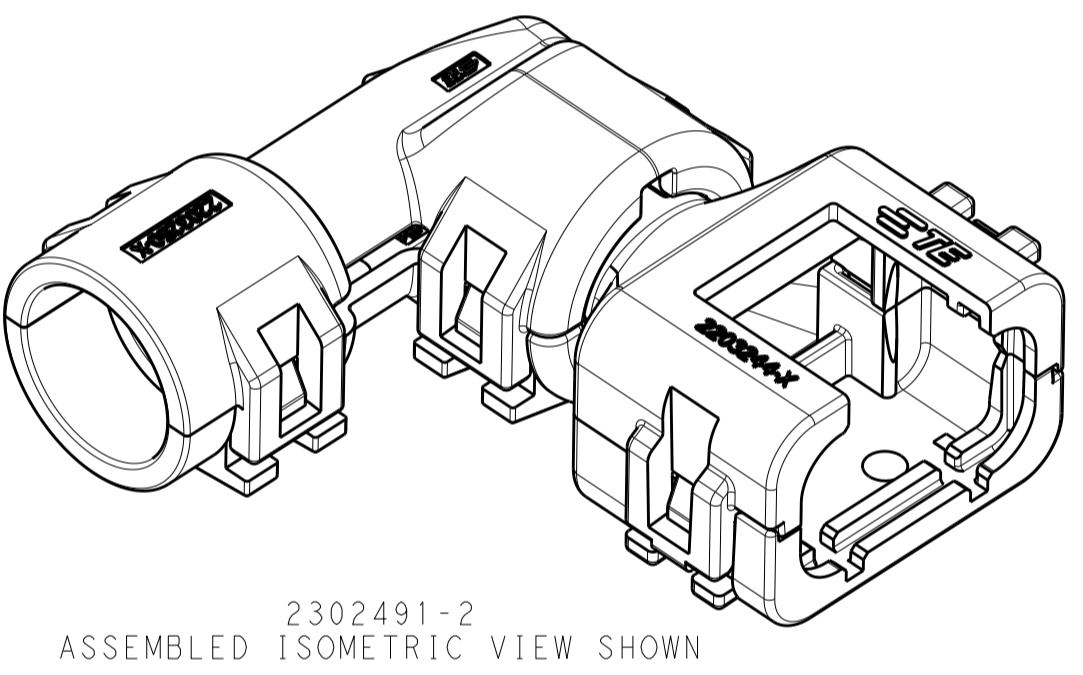
2302491-1
ASSEMBLED ISOMETRIC VIEW SHOWN



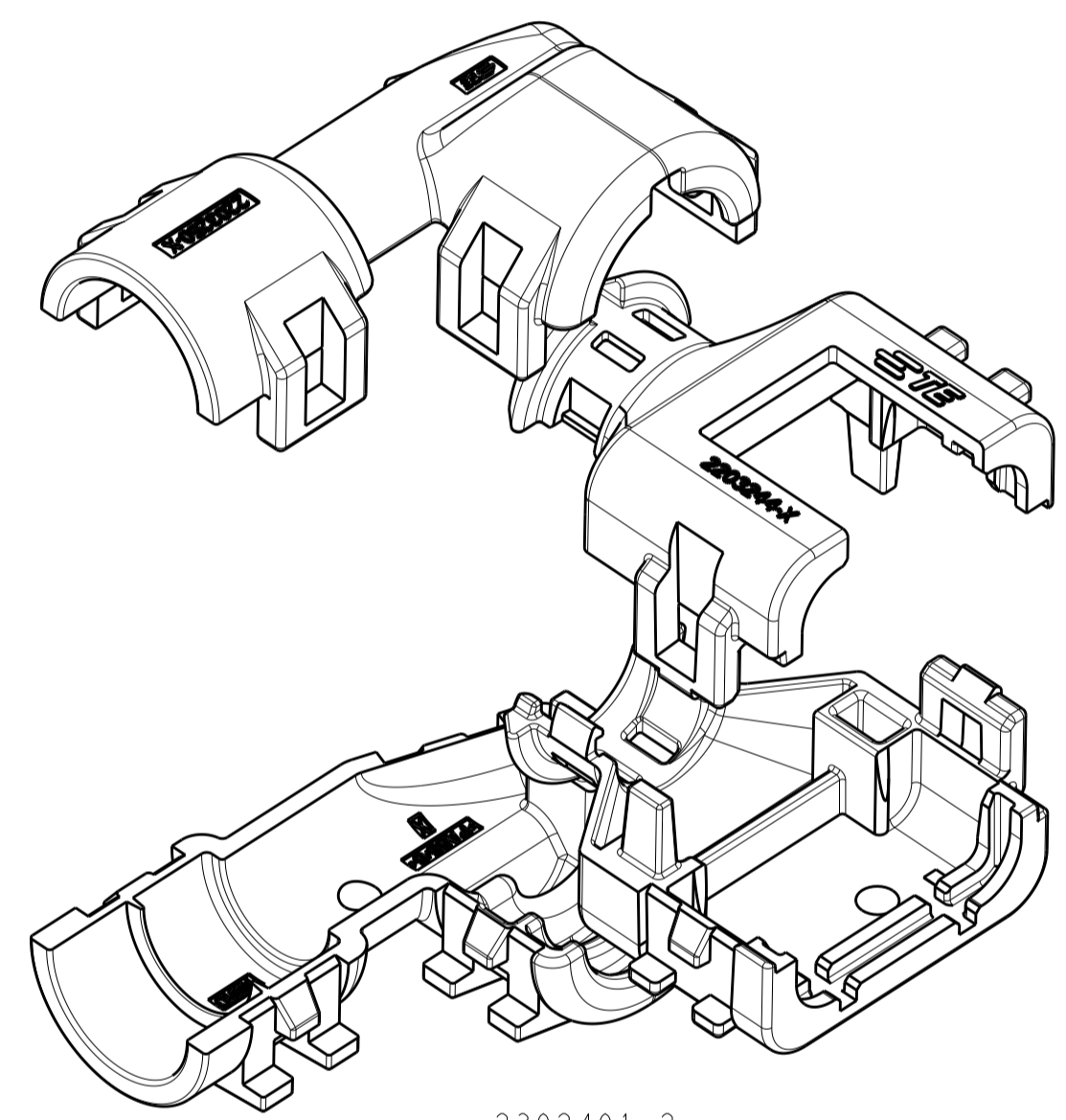
2302491-1
EXPLODED ISOMETRIC VIEW SHOWN



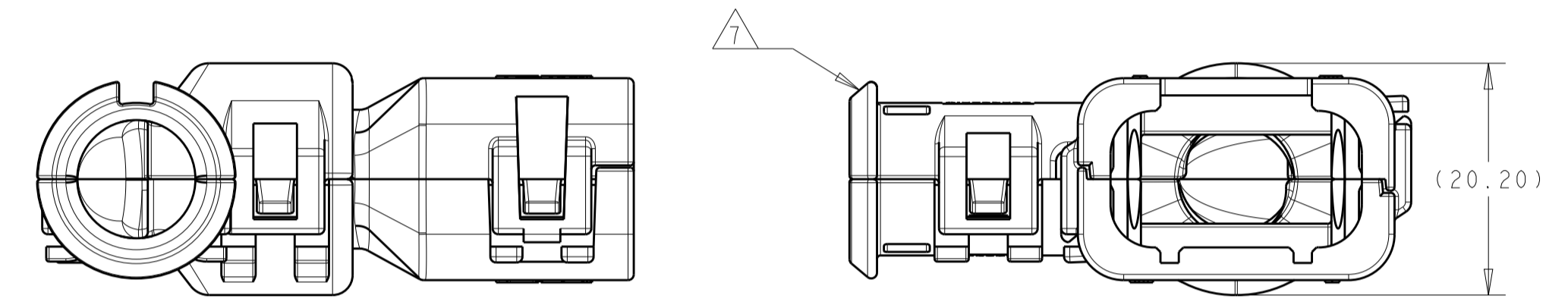
- 1 MATERIAL: NYLON MOLDING COMPOUND, BLACK, PA66/6.
- 2 BACKSHELL DESIGNED SUCH THAT TWO HALVES ATTACH TO ONE ANOTHER AND CLAMP AROUND THE CONNECTOR COVER.
- 3 ELBOW DESIGNED SUCH THAT TWO HALVES ATTACH TO ONE ANOTHER AND CLAMP AROUND THE BACKSHELL COLLAR.
- 4 DIMENSIONS TO BE MEASURED WHEN ELBOWS AND BACKSHELLS ASSEMBLED.
- 5 PRODUCT WEIGHTS:
 2302491-1: 9.70g ASSEMBLED
 2302491-2: 10.35g ASSEMBLED
 2302491-3: 9.80g ASSEMBLED
- 6 4mm WIDE SLOTS FOR TIE WRAP TO SECURE HARNESS WIRES (-1 ONLY).
- 7 HEAT SHRINK TUBING FEATURE (-1 AND -3 ONLY).
- 8. INSTRUCTION SHEET: 408-151043.
- 9. CONDUIT PROFILE: NORMAL ONLY.



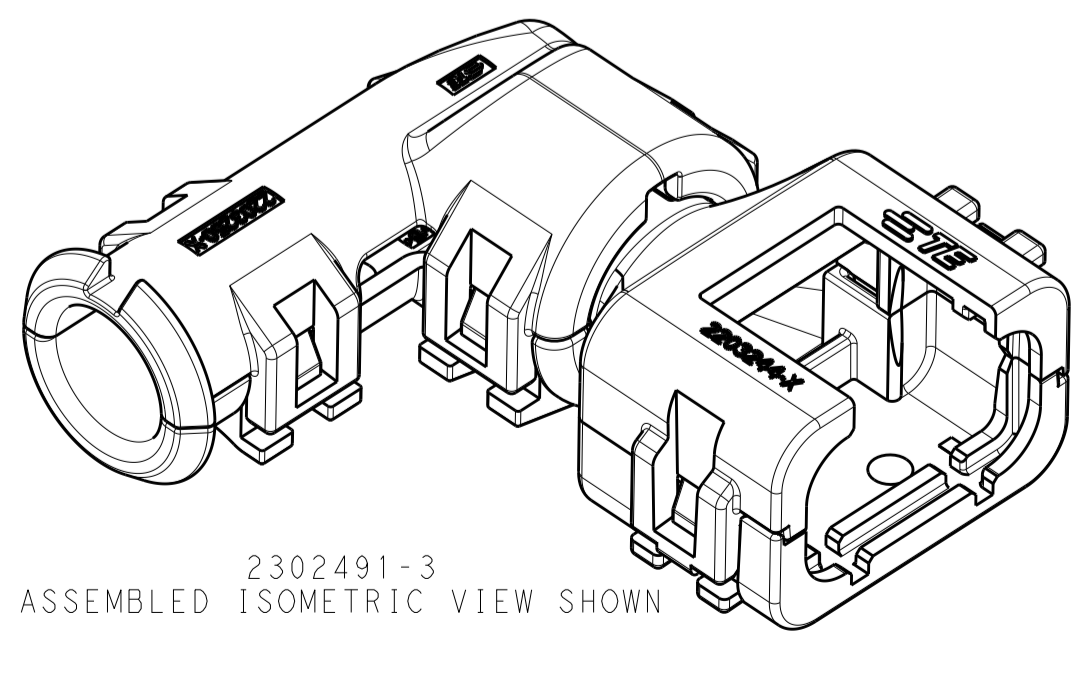
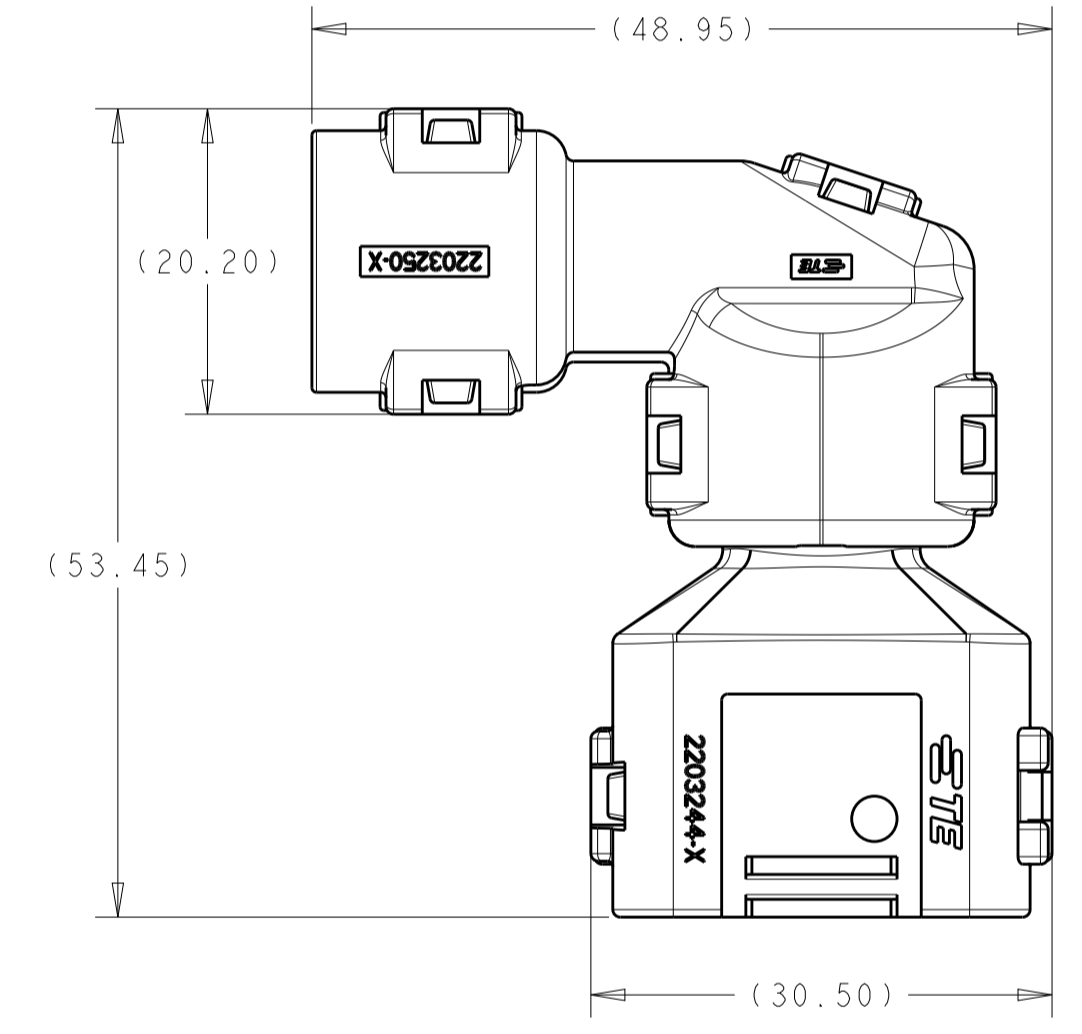
2302491-2
ASSEMBLED ISOMETRIC VIEW SHOWN



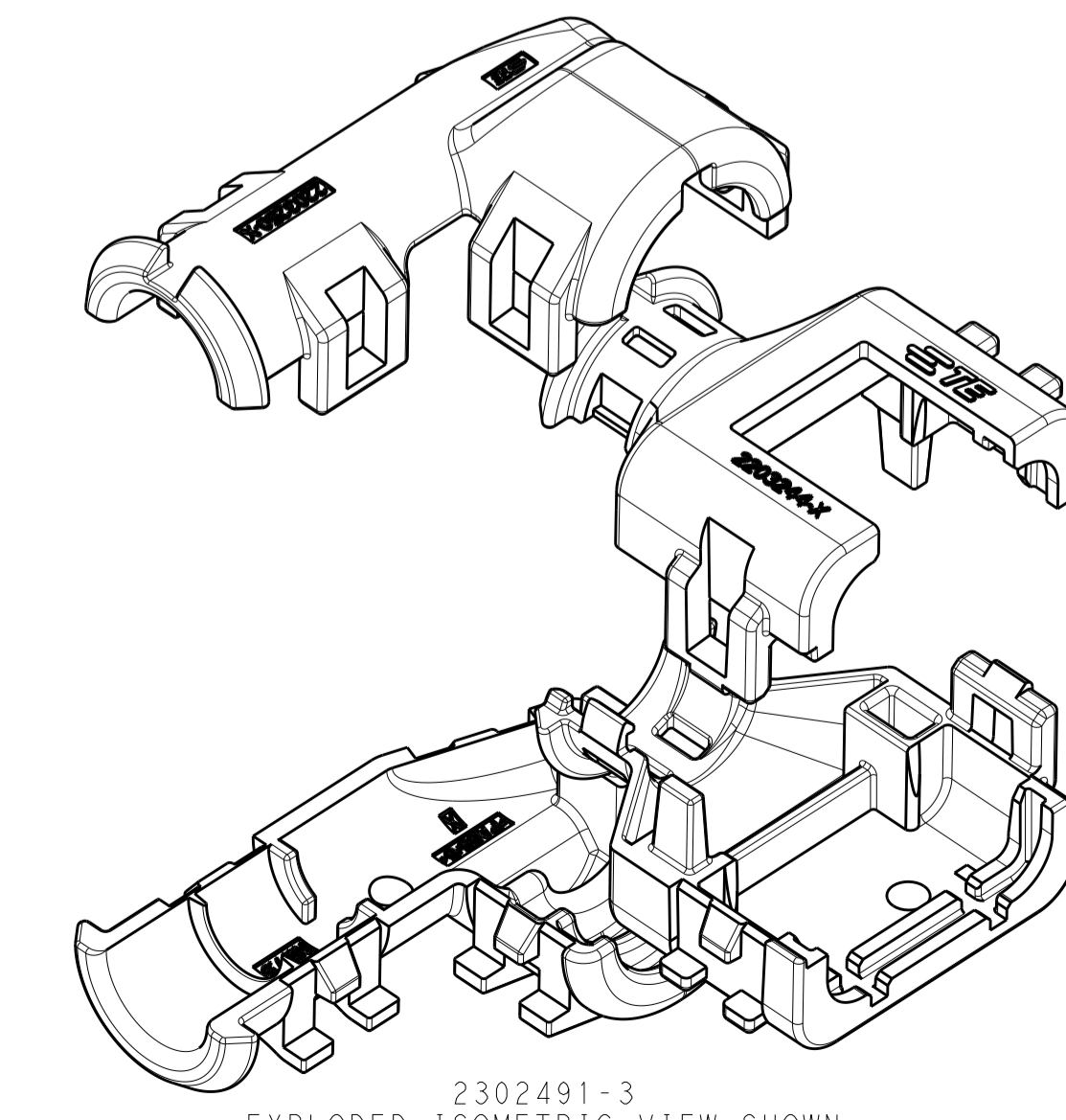
2302491-2
EXPLODED ISOMETRIC VIEW SHOWN



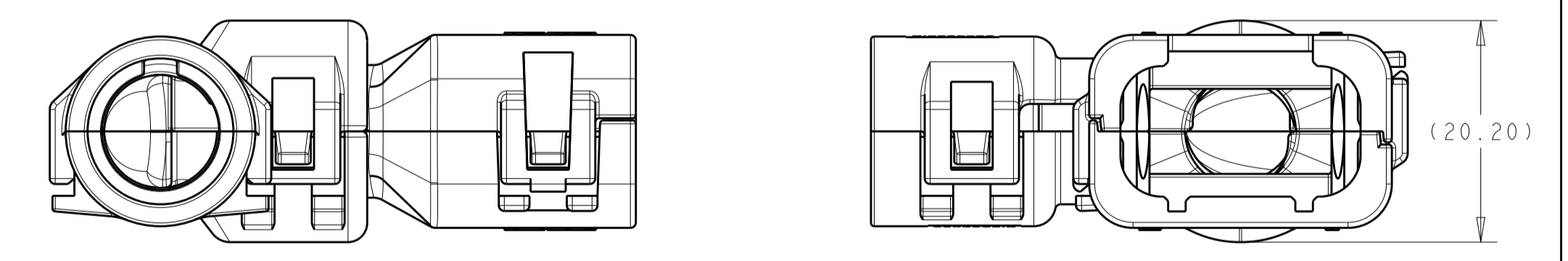
2302491-1
ASSEMBLED VIEW SHOWN
DIMENSIONS SHOWN TYPICAL FOR 2302491-1 AND -3



2302491-3
ASSEMBLED ISOMETRIC VIEW SHOWN



2302491-3
EXPLODED ISOMETRIC VIEW SHOWN



2302491-2
ASSEMBLED VIEW SHOWN
DIMENSIONS SHOWN FOR 2302491-2 ONLY

776429-X	NC08	NW7.5	2302491-3
776523-X	NC12	NW10	2302491-2
	SMOOTH	SMOOTH	2302491-1
FITS ON PLUG ASSY	CORRGATE NC	CORRGATE NW	PART NUMBER
	CONDUIT SIZE		

THIS DRAWING IS A CONTROLLED DOCUMENT.		DWN	J. MCNEAL	13APR2016	TE Connectivity NAME BACKSHELL AND ELBOW KIT, 3 POSITION, PLUG ASSEMBLY, AMPSEAL 16			
DIMENSIONS:		CHK	R. BALTER	13APR2016				
TOLERANCES UNLESS OTHERWISE SPECIFIED:		APVD	R. BALTER	13APR2016				
mm		PRODUCT SPEC						
0 PLC	±	APPLICATION SPEC			SIZE	CAGE CODE	DRAWING NO	RESTRICTED TO
1 PLC	±				A1	00779	C=2302491	
2 PLC	±							
3 PLC	±							
4 PLC	±							
ANGLES	±							
MATERIAL		WEIGHT						
		CUSTOMER DRAWING						
					SCALE	2:1	SHEET	1 OF 1
								REV
								A2

X-ON Electronics

Largest Supplier of Electrical and Electronic Components

Click to view similar products for [Automotive Connectors](#) category:

Click to view products by [TE Connectivity](#) manufacturer:

Other Similar products are found below :

[003-018-000](#) [60993906-B](#) [M902-2131](#) [M902-2161](#) [M902-2344](#) [72.330.1035.1](#) [73.353.4028.0](#) [F166900](#) [F358300-B](#) [F407400](#) [776880-1](#)
[827153-1](#) [8N1515-32-24P](#) [9-1326729-8](#) [925474-1](#) [928905-1](#) [964562-4](#) [968782-1](#) [98891-1012](#) [12004475-L](#) [12020308](#) [12041318-B](#)
[12052466](#) [12064869](#) [12015909](#) [1-21030-1](#) [12041254](#) [12041318](#) [12047946-B](#) [12110546-B](#) [12131792](#) [12084688](#) [12092346](#) [HD34-18-14PT](#)
[HD46-24-23SN-059](#) [HDB36-24-16PN-059](#) [HDP26-24-9SE-L015](#) [12185280](#) [12185550](#) [12336-12](#) [12191172-B](#) [12S](#) [13545280](#) [13577943](#)
[13681974](#) [13737722-B](#) [13830674](#) [13832576](#) [13849772](#) [13542772](#)