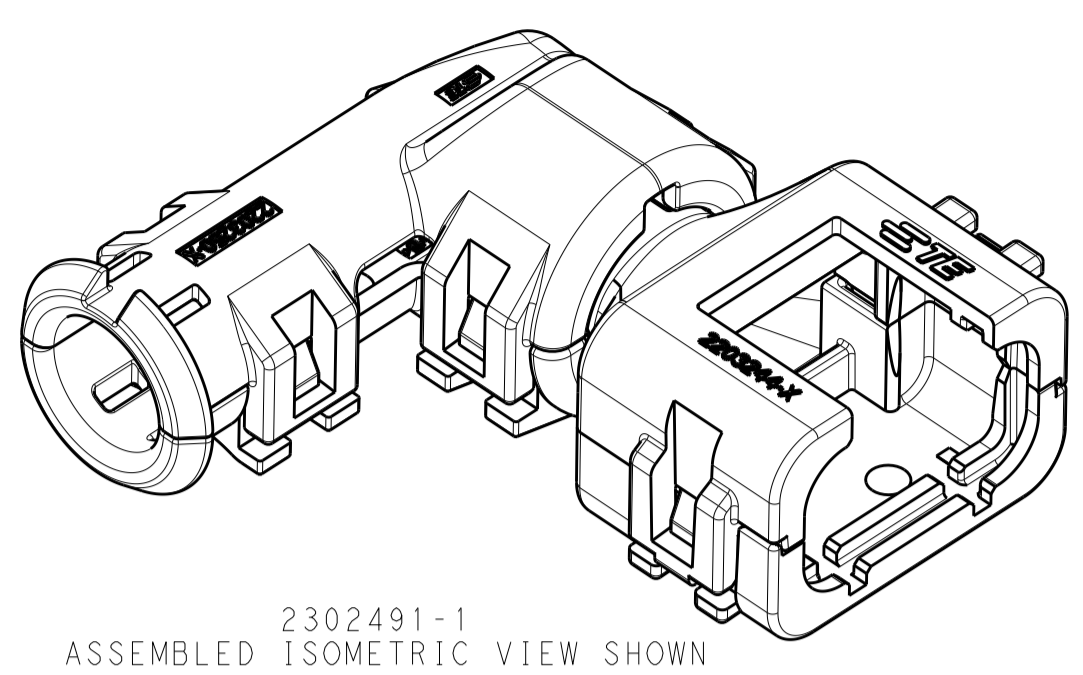
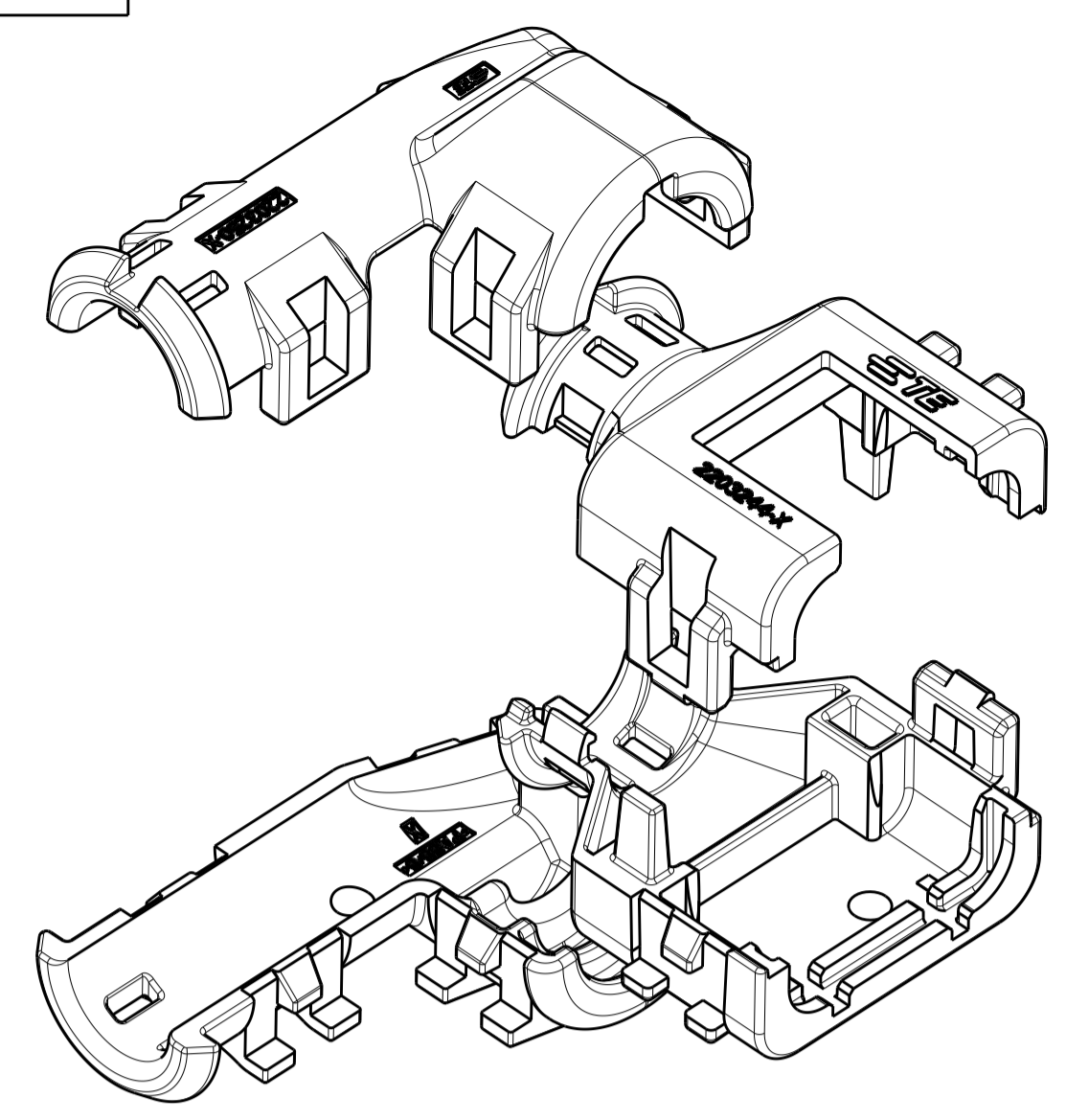


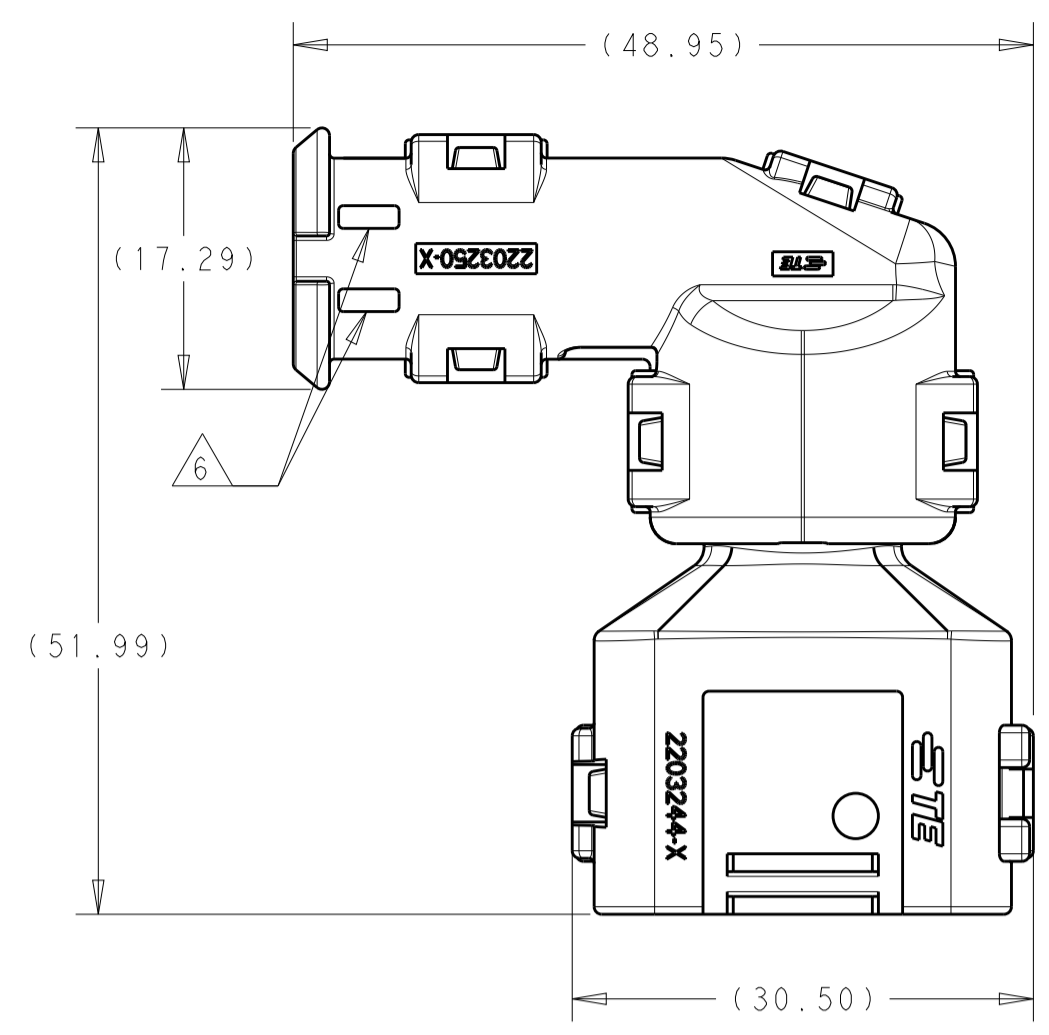
REVISIONS				
P	LTN	DESCRIPTION	DATE	OWN APVD
A		RELEASED PER ECO-16-007279	12MAY2016	JM RB
A2		REV PER ECO-16-013256	08SEP2016	JM RB



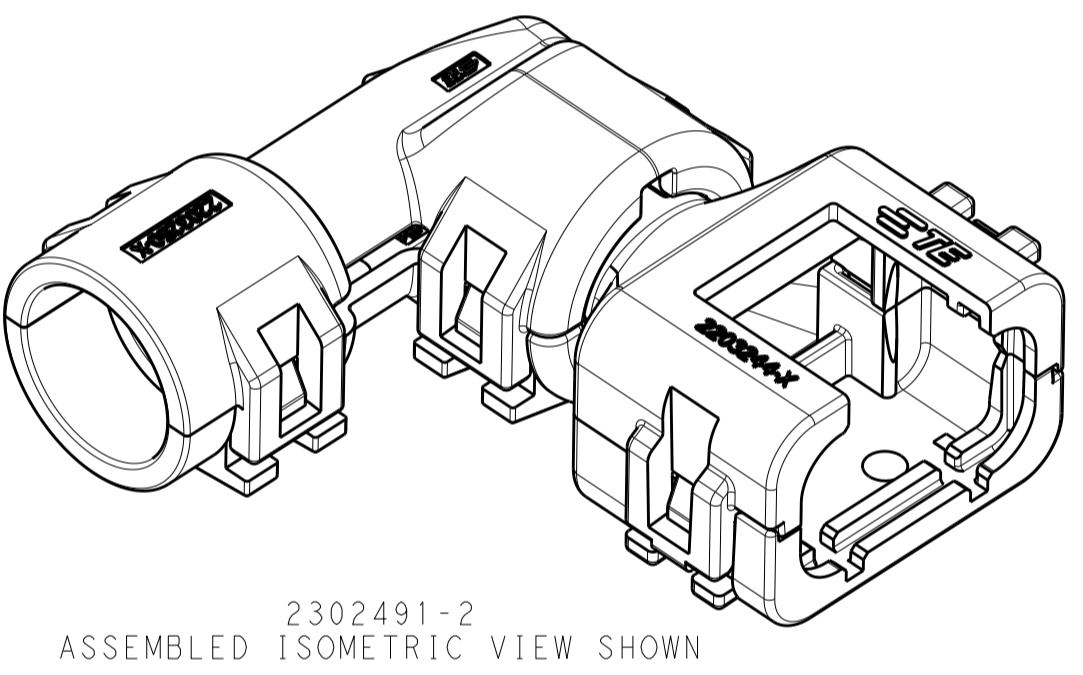
2302491-1  
ASSEMBLED ISOMETRIC VIEW SHOWN



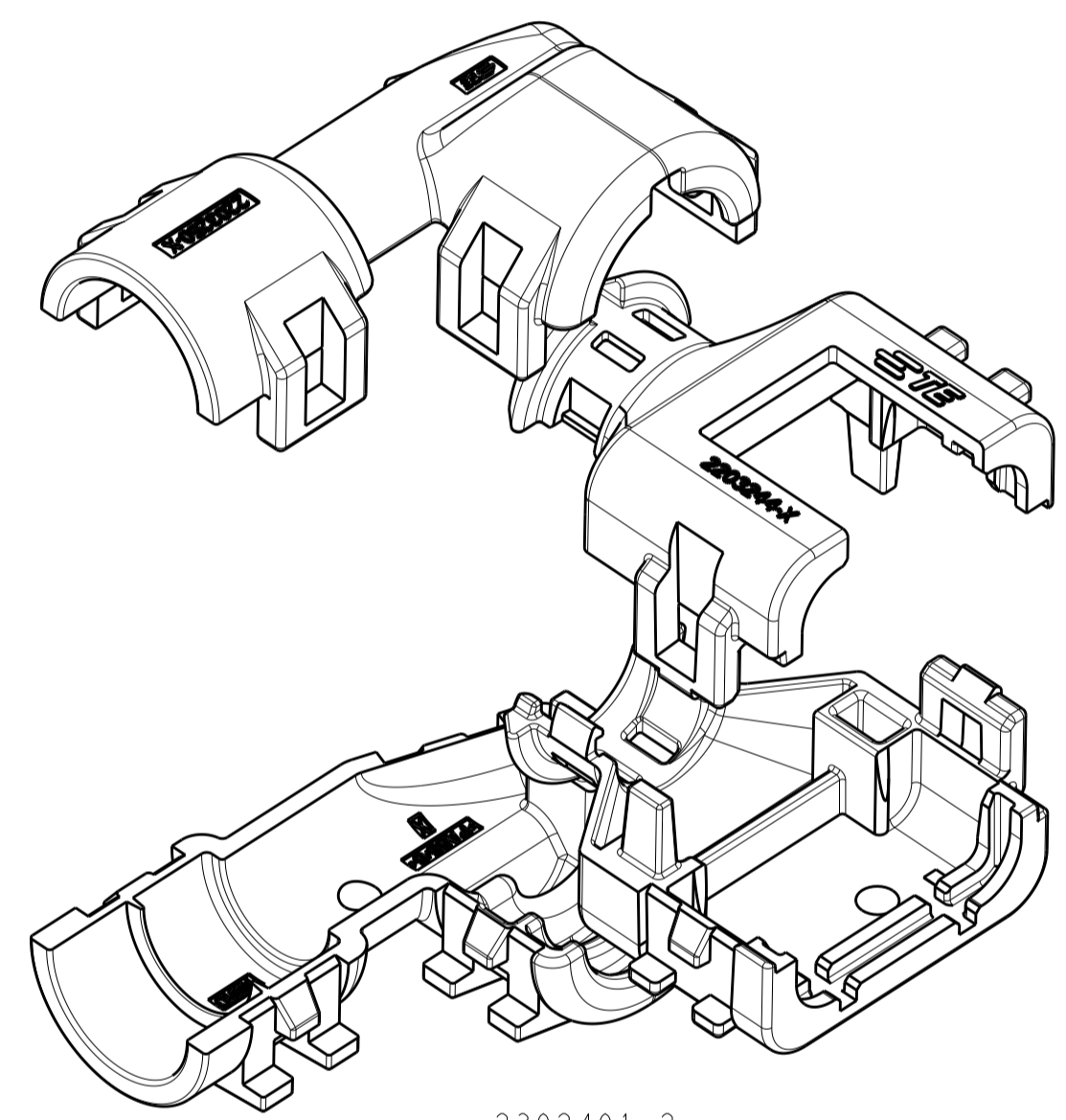
2302491-1  
EXPLODED ISOMETRIC VIEW SHOWN



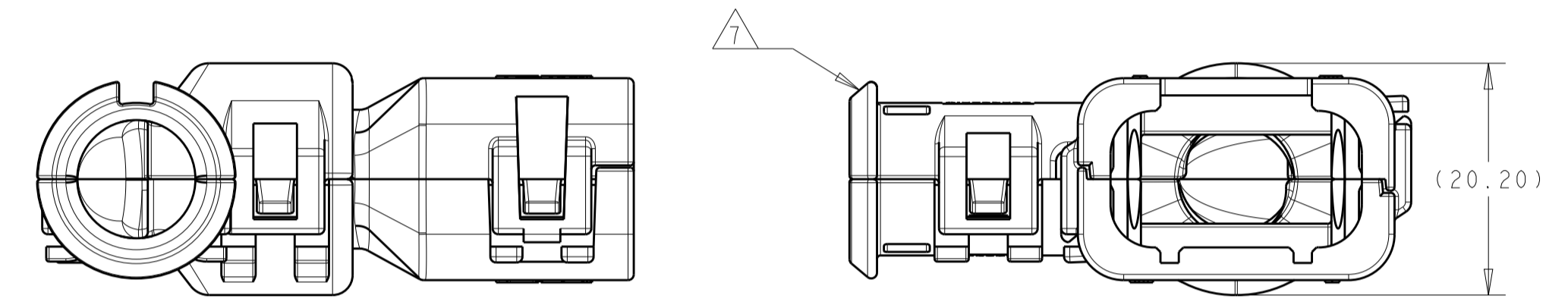
- 1 MATERIAL: NYLON MOLDING COMPOUND, BLACK, PA66/6.
- 2 BACKSHELL DESIGNED SUCH THAT TWO HALVES ATTACH TO ONE ANOTHER AND CLAMP AROUND THE CONNECTOR COVER.
- 3 ELBOW DESIGNED SUCH THAT TWO HALVES ATTACH TO ONE ANOTHER AND CLAMP AROUND THE BACKSHELL COLLAR.
- 4 DIMENSIONS TO BE MEASURED WHEN ELBOWS AND BACKSHELLS ASSEMBLED.
- 5 PRODUCT WEIGHTS:  
 2302491-1: 9.70g ASSEMBLED  
 2302491-2: 10.35g ASSEMBLED  
 2302491-3: 9.80g ASSEMBLED
- 6 4mm WIDE SLOTS FOR TIE WRAP TO SECURE HARNESS WIRES (-1 ONLY).
- 7 HEAT SHRINK TUBING FEATURE (-1 AND -3 ONLY).
- 8. INSTRUCTION SHEET: 408-151043.
- 9. CONDUIT PROFILE: NORMAL ONLY.



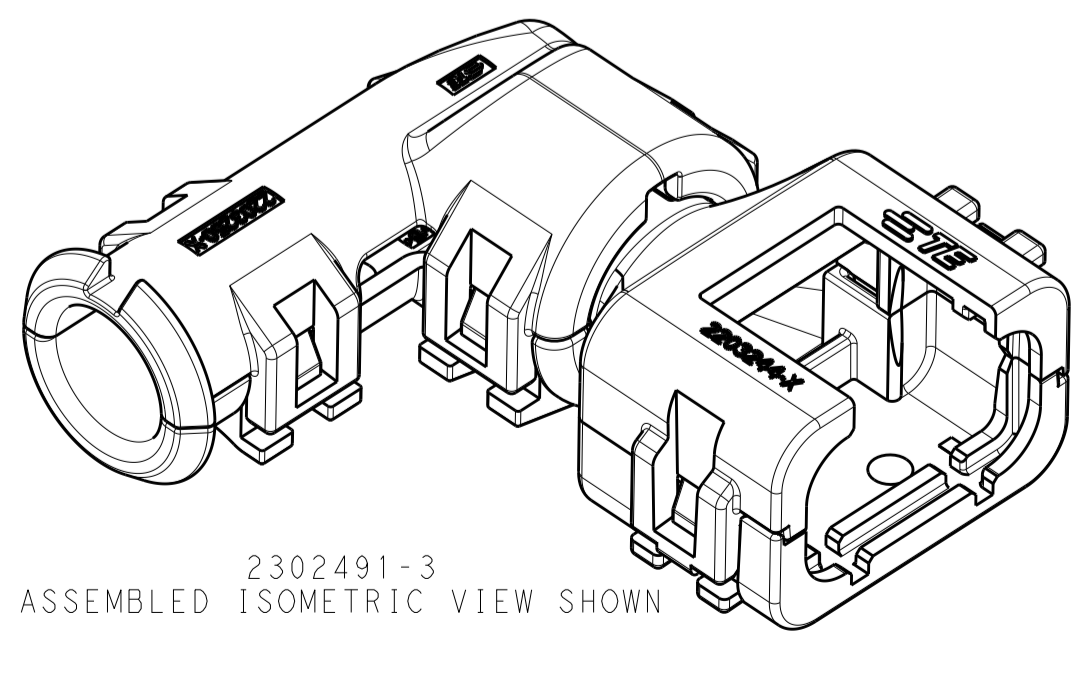
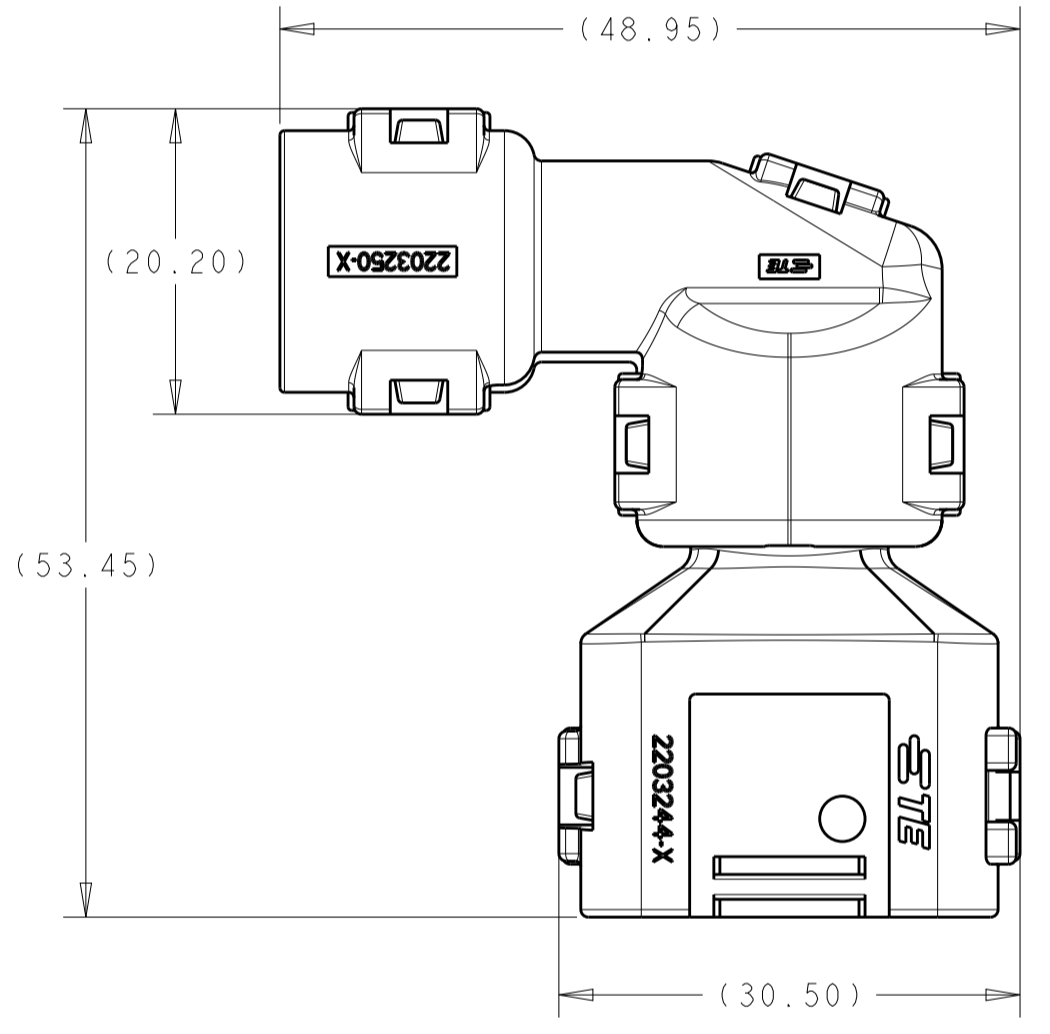
2302491-2  
ASSEMBLED ISOMETRIC VIEW SHOWN



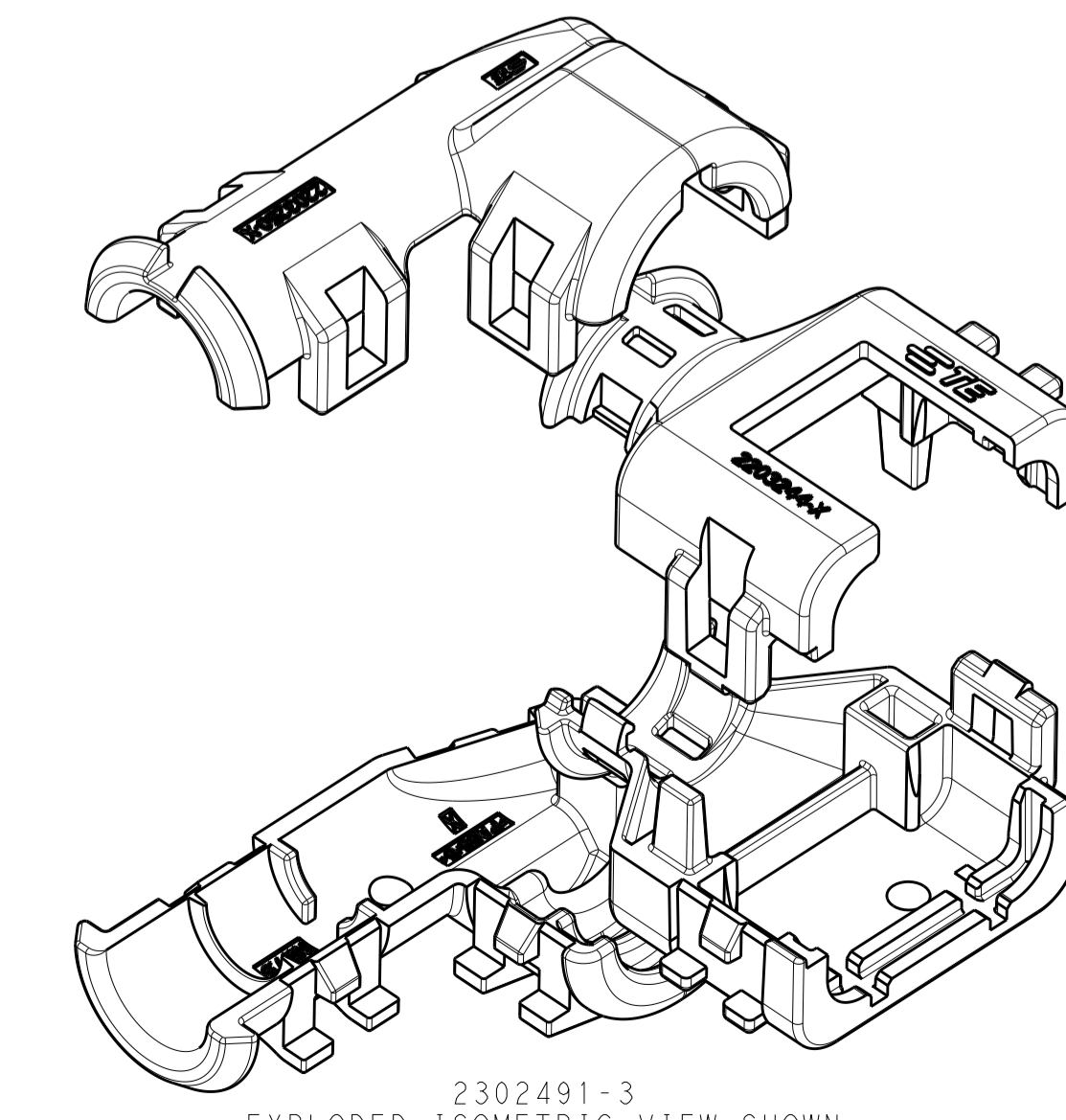
2302491-2  
EXPLODED ISOMETRIC VIEW SHOWN



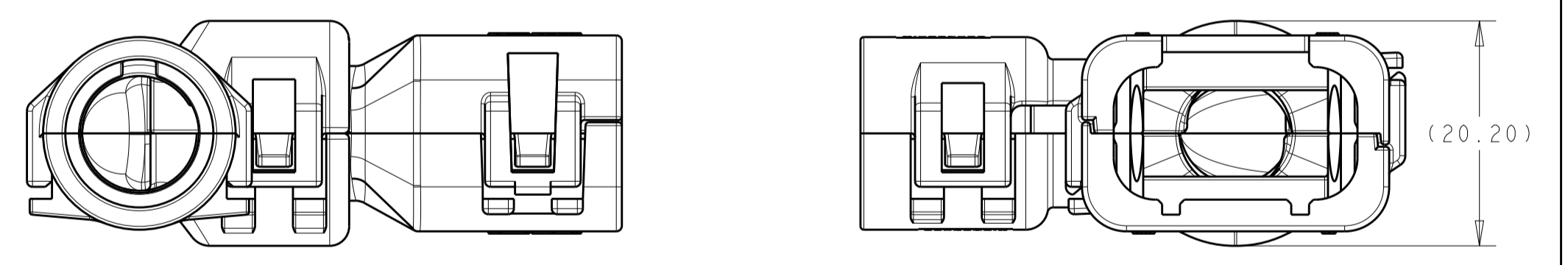
2302491-1  
ASSEMBLED VIEW SHOWN  
DIMENSIONS SHOWN TYPICAL FOR 2302491-1 AND -3



2302491-3  
ASSEMBLED ISOMETRIC VIEW SHOWN



2302491-3  
EXPLODED ISOMETRIC VIEW SHOWN



2302491-2  
ASSEMBLED VIEW SHOWN  
DIMENSIONS SHOWN FOR 2302491-2 ONLY

776429-X	NC08	NW7.5	2302491-3
776523-X	NC12	NW10	2302491-2
	SMOOTH	SMOOTH	2302491-1
FITS ON PLUG ASSY	CORRGATE NC	CORRGATE NW	PART NUMBER
	CONDUIT SIZE		

THIS DRAWING IS A CONTROLLED DOCUMENT.

DIMENSIONS:	TOLERANCES UNLESS OTHERWISE SPECIFIED:	0 PLC ±	1 PLC ±	2 PLC ±	3 PLC ±	4 PLC ±	ANGLES ±	FINISH
mm								

MATERIAL: 1

WEIGHT: 5

CUSTOMER DRAWING

OWN: J MCNEAL 13APR2016  
 CHK: R BALTER 13APR2016  
 APVD: R BALTER 13APR2016

NAME: BACKSHELL AND ELBOW KIT, 3 POSITION, PLUG ASSEMBLY, AMPSEAL 16

PRODUCT SPEC: 108-151043

APPLICATION SPEC:

SIZE: A1 CAGE CODE: 100779 DRAWING NO: 2302491

RESTRICTED TO: A

SCALE: 2:1 SHEET 1 OF 1 REV: A2

## X-ON Electronics

Largest Supplier of Electrical and Electronic Components

*Click to view similar products for [Automotive Connectors](#) category:*

*Click to view products by [TE Connectivity](#) manufacturer:*

Other Similar products are found below :

[003-018-000](#) [60993906-B](#) [M902-2131](#) [M902-2161](#) [M902-2344](#) [72.330.1035.1](#) [73.353.4028.0](#) [F166900](#) [F358300-B](#) [F407400](#) [776880-1](#)  
[827153-1](#) [8N1515-32-24P](#) [9-1326729-8](#) [925474-1](#) [928905-1](#) [964562-4](#) [968782-1](#) [98891-1012](#) [12004475-L](#) [12020308](#) [12041318-B](#)  
[12052466](#) [12064869](#) [12015909](#) [1-21030-1](#) [12041254](#) [12041318](#) [12047946-B](#) [12110546-B](#) [12131792](#) [12084688](#) [12092346](#) [HD34-18-14PT](#)  
[HD46-24-23SN-059](#) [HDB36-24-16PN-059](#) [HDP26-24-9SE-L015](#) [12185280](#) [12185550](#) [12336-12](#) [12191172-B](#) [12S](#) [13545280](#) [13577943](#)  
[13681974](#) [13737722-B](#) [13830674](#) [13832576](#) [13849772](#) [13542772](#)