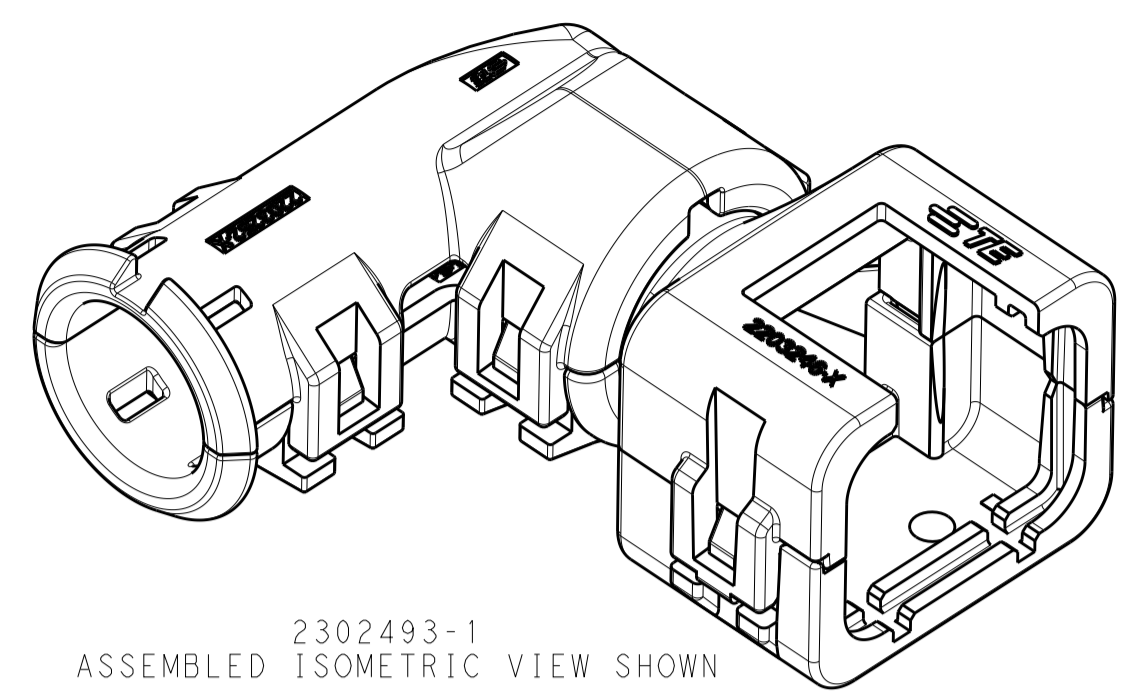
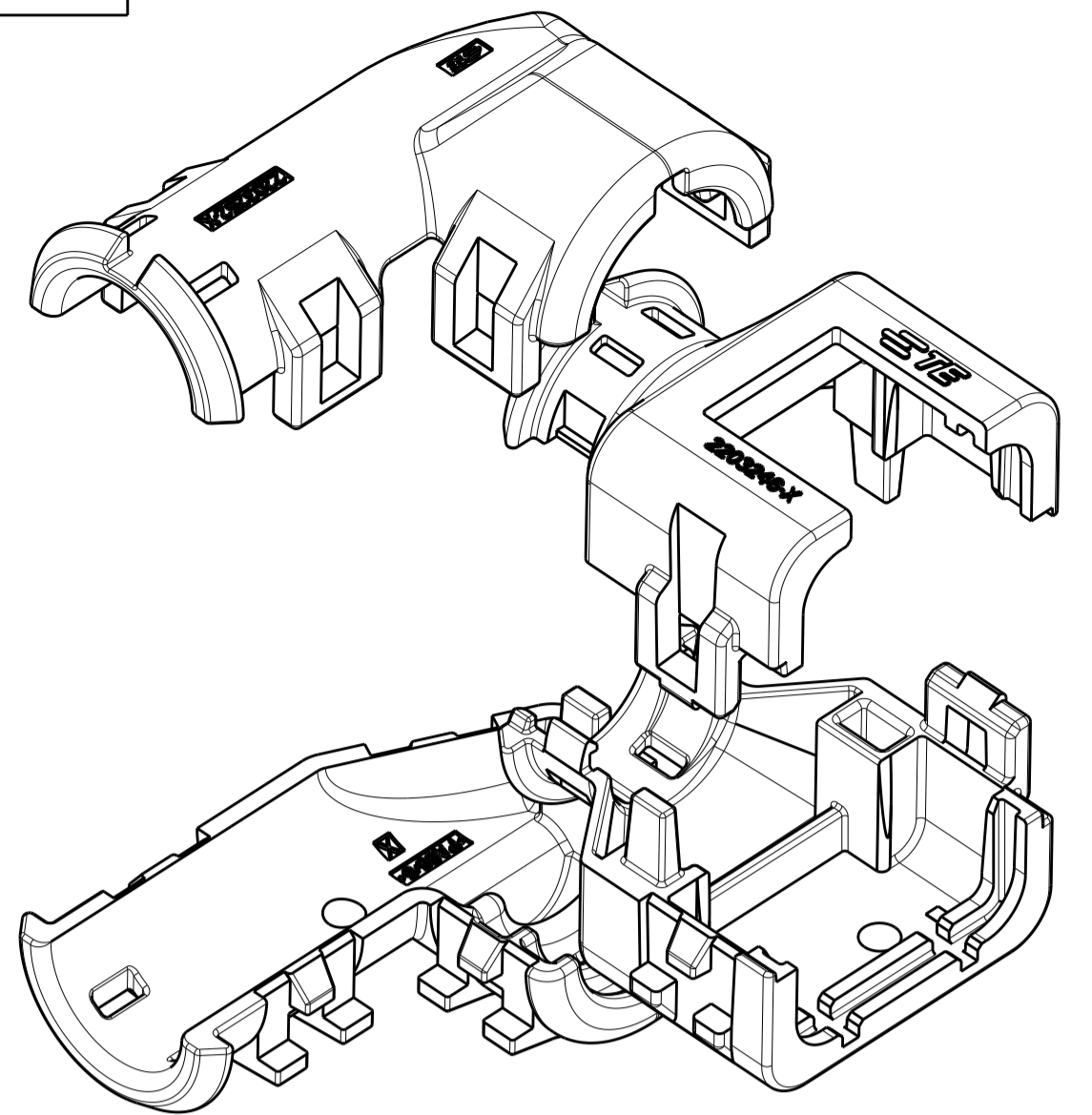


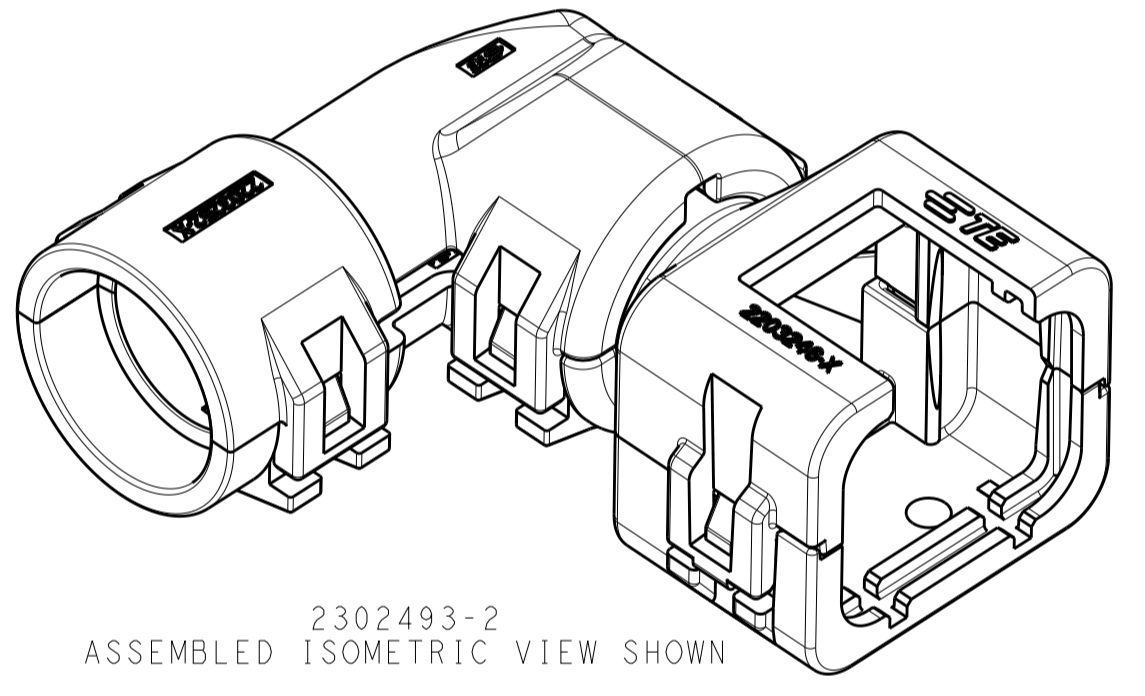
REVISIONS				
P	LTN	DESCRIPTION	DATE	APVD
A		RELEASED PER ECO-16-008203	01JUN2016	JM RB
A2		REV PER ECO-16-013256	08SEP2016	JM RB



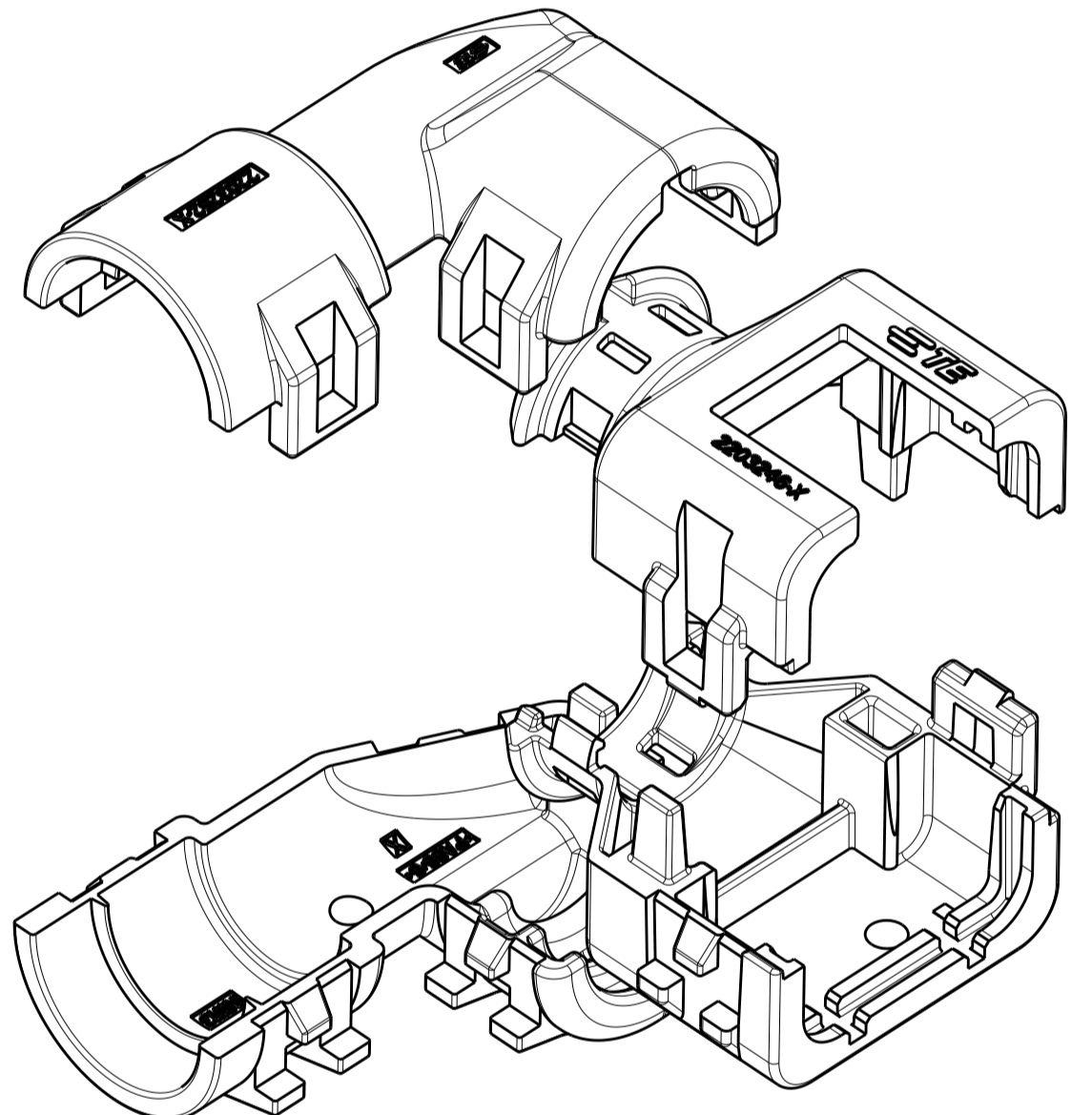
2302493-1  
ASSEMBLED ISOMETRIC VIEW SHOWN



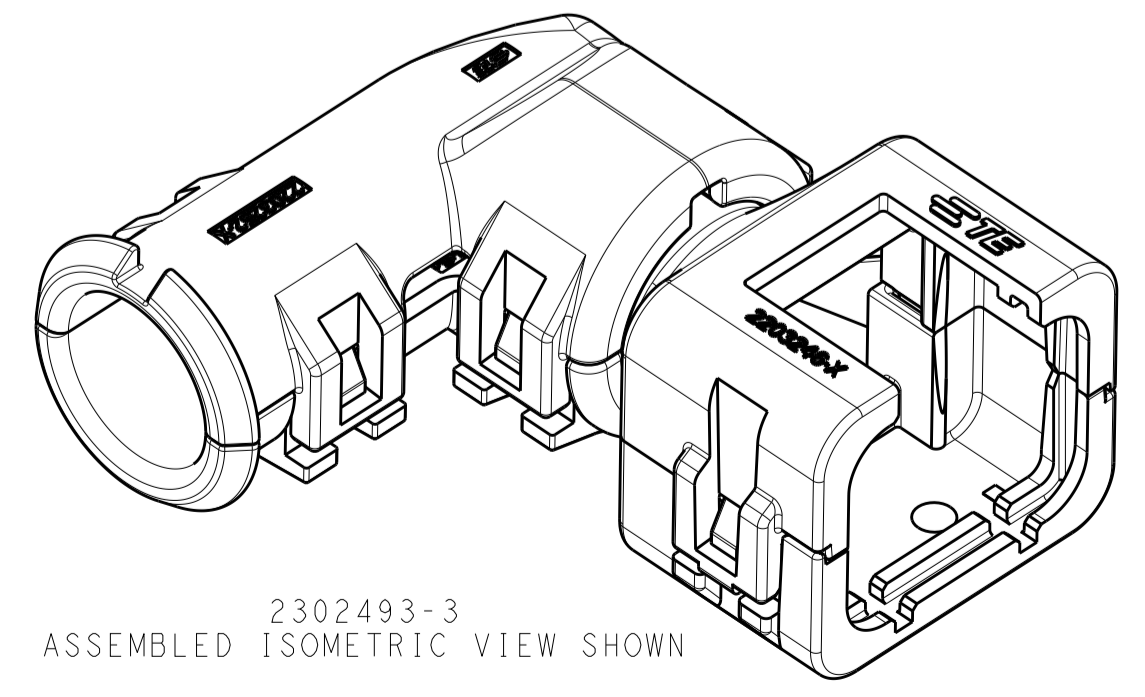
2302493-1  
EXPLODED ISOMETRIC VIEW SHOWN



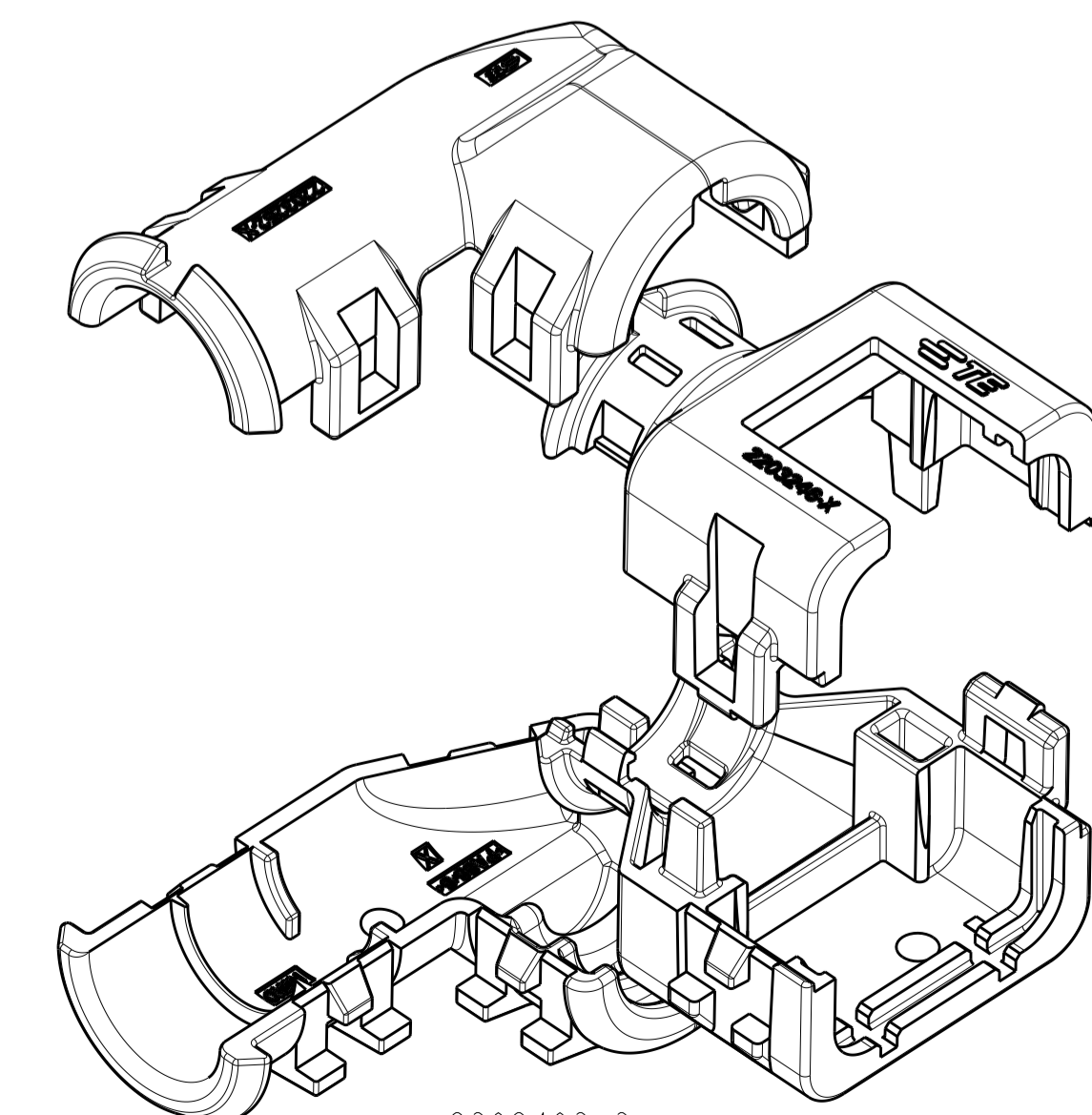
2302493-2  
ASSEMBLED ISOMETRIC VIEW SHOWN



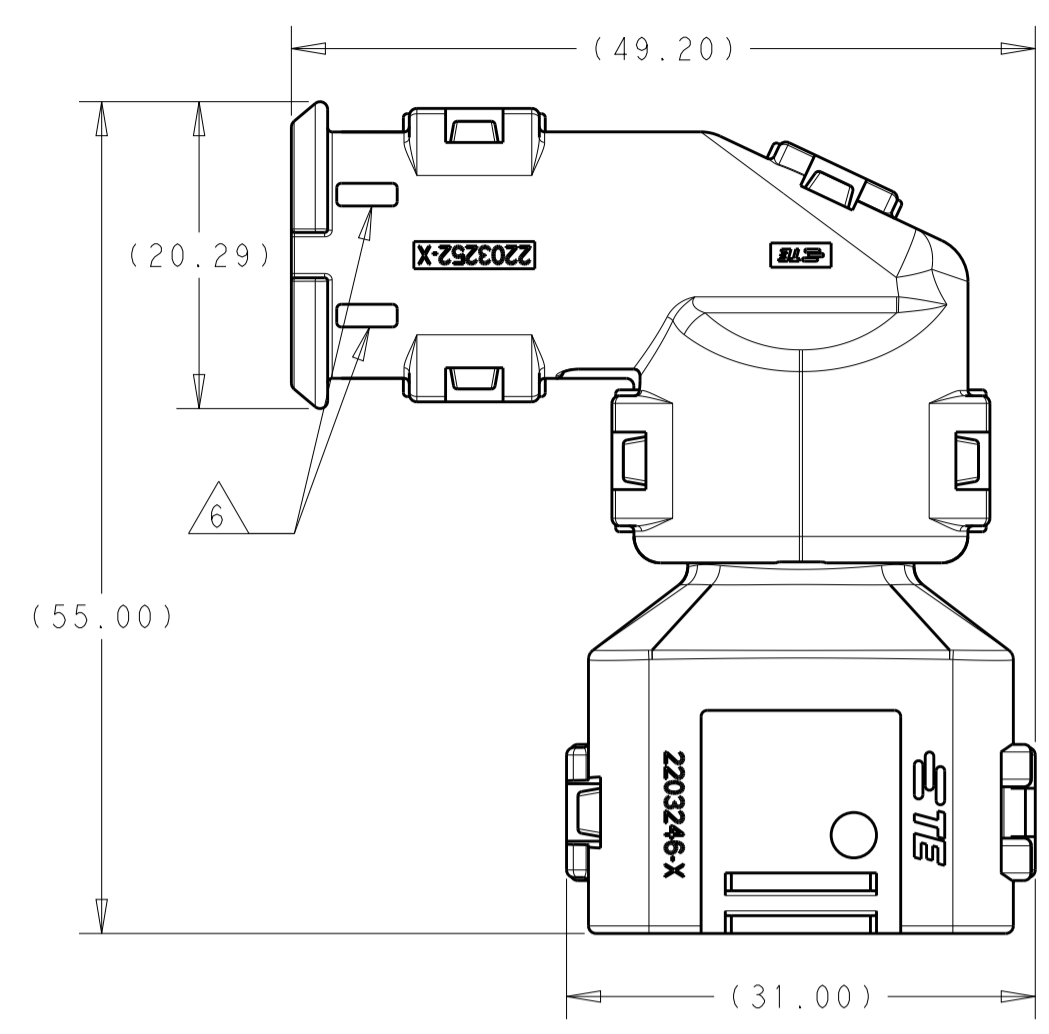
2302493-2  
EXPLODED ISOMETRIC VIEW SHOWN



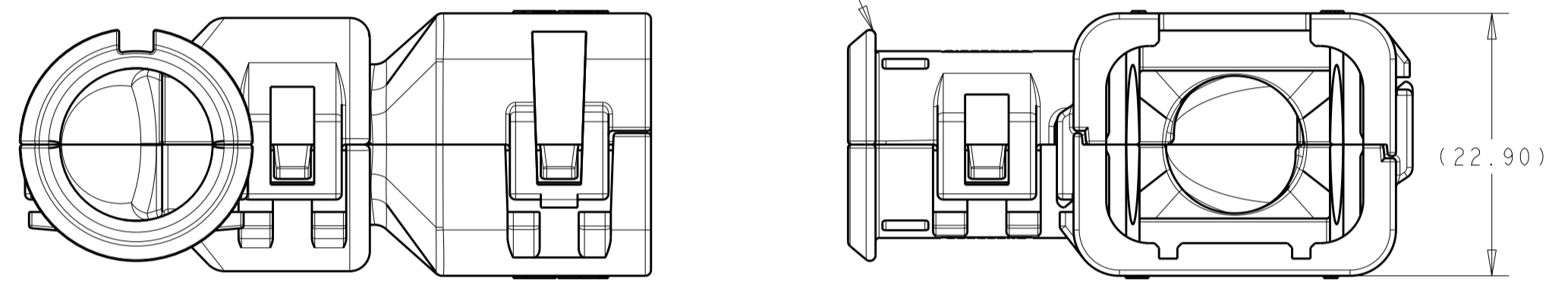
2302493-3  
ASSEMBLED ISOMETRIC VIEW SHOWN



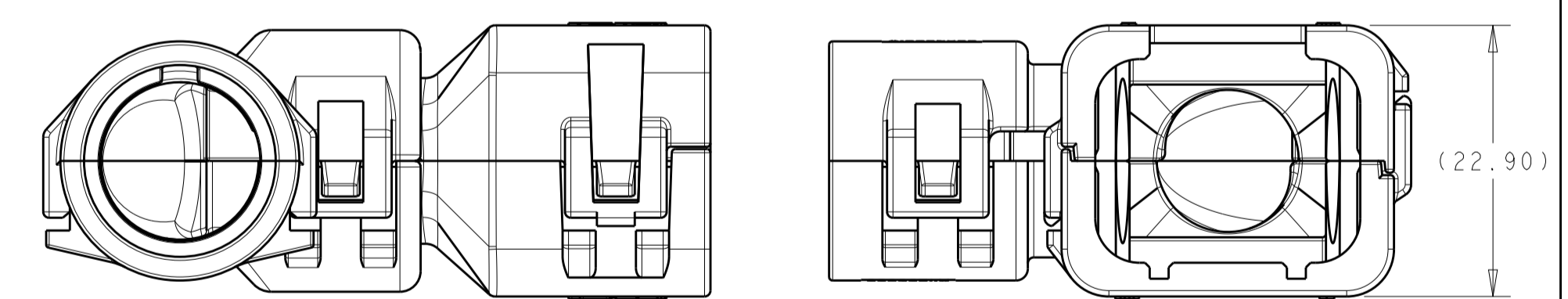
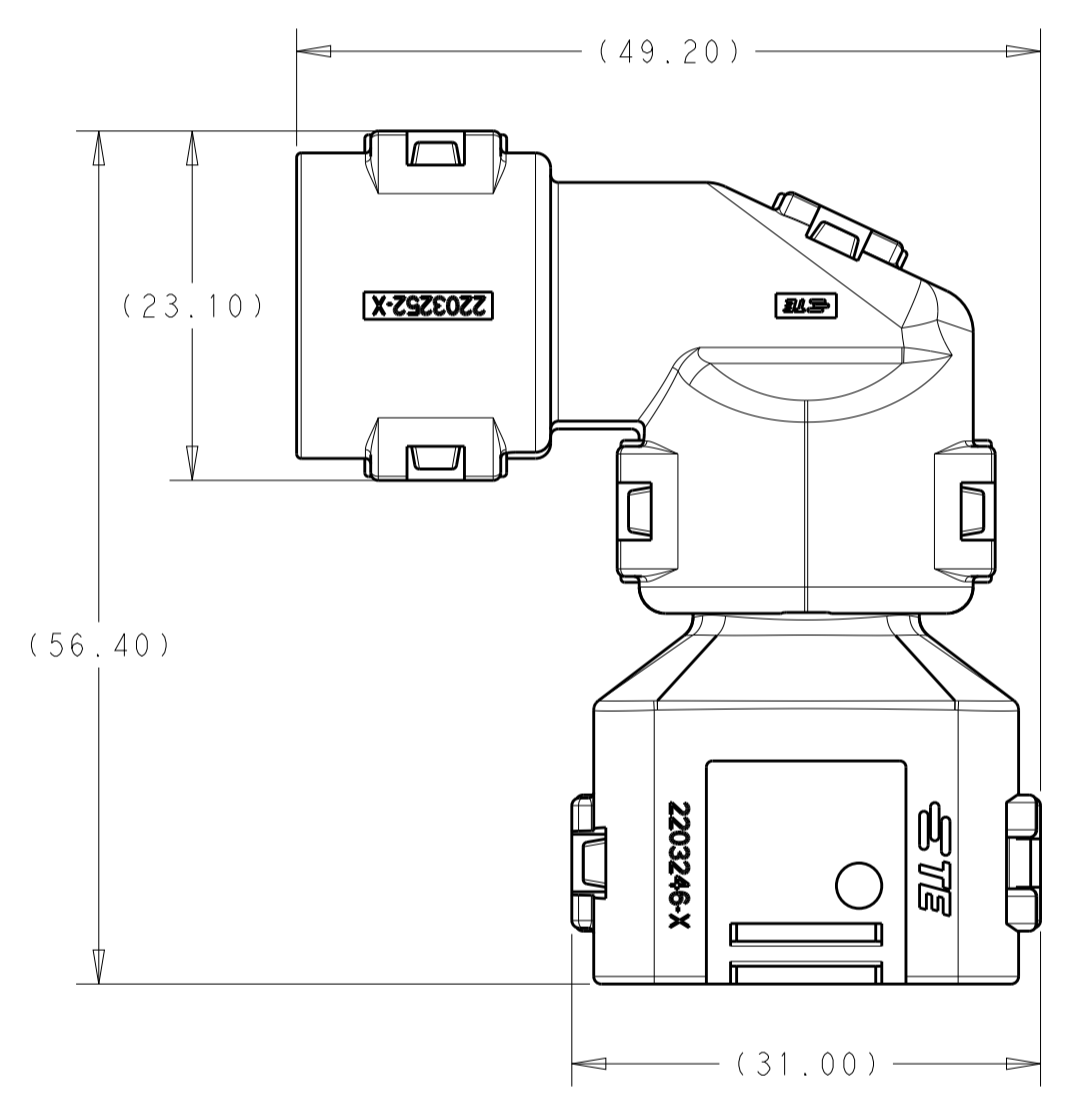
2302493-3  
EXPLODED ISOMETRIC VIEW SHOWN



- 1 MATERIAL: NYLON MOLDING COMPOUND, BLACK, PA66/6.
- 2 BACKSHELL DESIGNED SUCH THAT TWO HALVES ATTACH TO ONE ANOTHER AND CLAMP AROUND THE CONNECTOR COVER.
- 3 ELBOW DESIGNED SUCH THAT TWO HALVES ATTACH TO ONE ANOTHER AND CLAMP AROUND THE BACKSHELL COLLAR.
- 4 DIMENSIONS TO BE MEASURED WHEN ELBOWS AND BACKSHELLS ASSEMBLED.
- 5 PRODUCT WEIGHTS:  
2302493-1: 11.45g ASSEMBLED  
2302493-2: 12.25g ASSEMBLED  
2302493-3: 11.60g ASSEMBLED
- 6 4MM WIDE SLOTS FOR TIE WRAP TO SECURE HARNESS WIRES (-1 ONLY).
- 7 HEAT SHRINK TUBING FEATURE (-1 AND -3 ONLY).
- 8. INSTRUCTION SHEET: 408-151043
- 9. CONDUIT PROFILE: NORMAL ONLY



2302493-1  
ASSEMBLED VIEW SHOWN  
DIMENSIONS SHOWN TYPICAL FOR 2302493-1 AND -3



2302493-2  
ASSEMBLED VIEW SHOWN  
DIMENSIONS SHOWN FOR 2302493-2 ONLY

776433-X	NC12	NW10	2302493-3
776531-X	NC16	NW13	2302493-2
	SMOOTH	SMOOTH	2302493-1
FITS ON PLUG ASSY	CORREGATE NC	CORREGATE NW	PART NUMBER
	CONDUIT SIZE		

THIS DRAWING IS A CONTROLLED DOCUMENT.		DWN J MCNEAL 13APR2016	TE Connectivity	
DIMENSIONS: mm [INCHES]		CHK R BALTER 13APR2016	NAME BACKSHELL AND ELBOW KIT, 6 POSN PLUG ASSY, AMPSEAL 16	
TOLERANCES UNLESS OTHERWISE SPECIFIED:		APVD R BALTER 13APR2016	PRODUCT SPEC 108-151043	
0 PLC ±		APPLICATION SPEC		
1 PLC ±		SIZE CAGE CODE DRAWING NO		
2 PLC ±		RESTRICTED TO		
3 PLC ±		WEIGHT 5		
4 PLC ±		A100779C=2302493		
ANGLES ±		CUSTOMER DRAWING		
FINISH		SCALE 1:1 SHEET 1 OF 1 REV A2		

## X-ON Electronics

Largest Supplier of Electrical and Electronic Components

*Click to view similar products for [Automotive Connectors](#) category:*

*Click to view products by [TE Connectivity](#) manufacturer:*

Other Similar products are found below :

[003-018-000](#) [60403001](#) [60993906-B](#) [M902-2131](#) [M902-2161](#) [72.330.1035.1](#) [73.353.4028.0](#) [F119300-B](#) [F166900](#) [F258300-B](#) [F358300-B](#)  
[F407400](#) [F444110](#) [F487000](#) [F509500B-B](#) [827153-1](#) [8N1515-32-24P](#) [9-1326729-8](#) [925474-1](#) [928905-1](#) [964562-4](#) [968782-1](#) [GT17SA-8DS-](#)  
[HU](#) [98891-1012](#) [98947-1016](#) [12004147](#) [12004475-L](#) [12010290](#) [12010309-B](#) [12015454](#) [12020219-B](#) [12020308](#) [12041318-B](#) [12052225-L](#)  
[12052466](#) [12059125](#) [12064869](#) [12004327-B](#) [12010503-B](#) [12015308](#) [12015384](#) [12015909](#) [1-21030-1](#) [12041254](#) [12041318](#) [12047946-B](#)  
[12047957](#) [12047957-L](#) [12059473](#) [12066261](#)