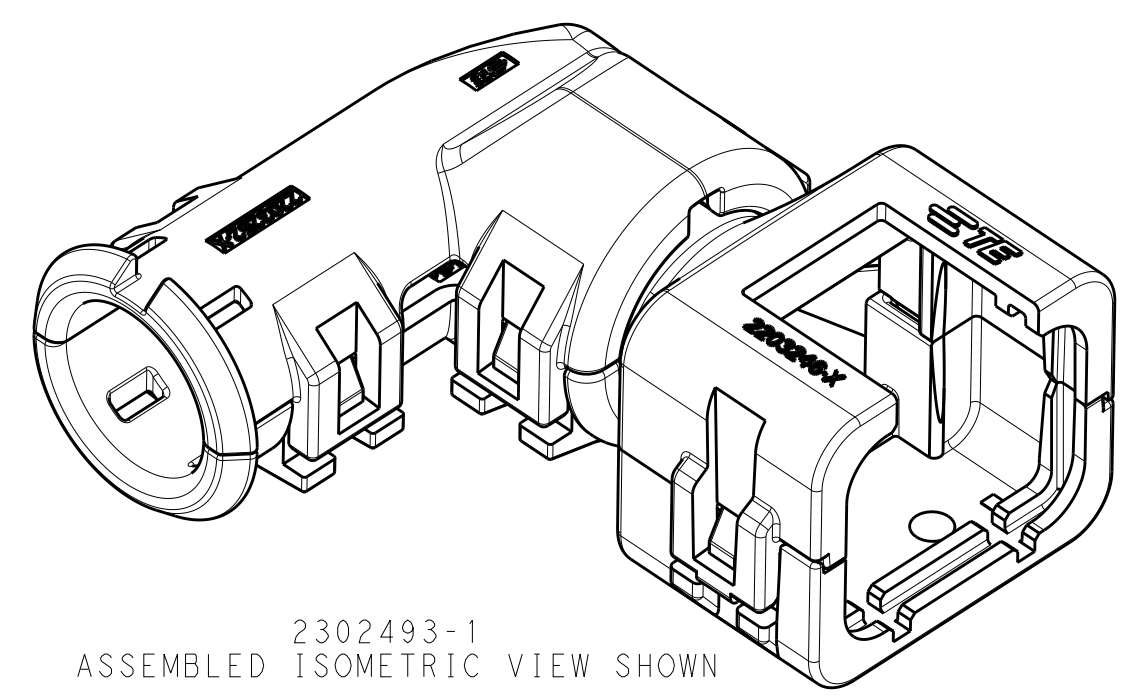
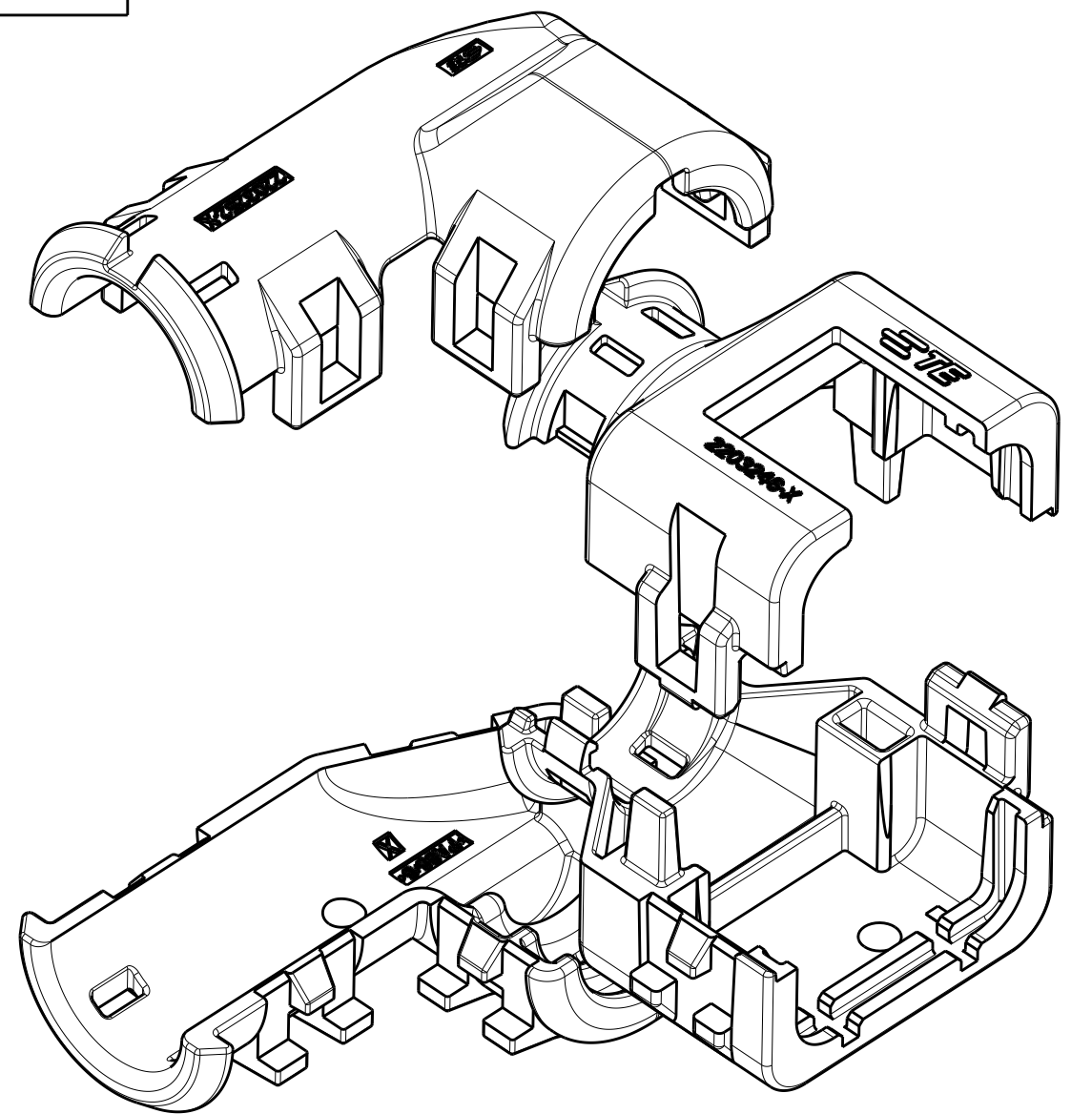


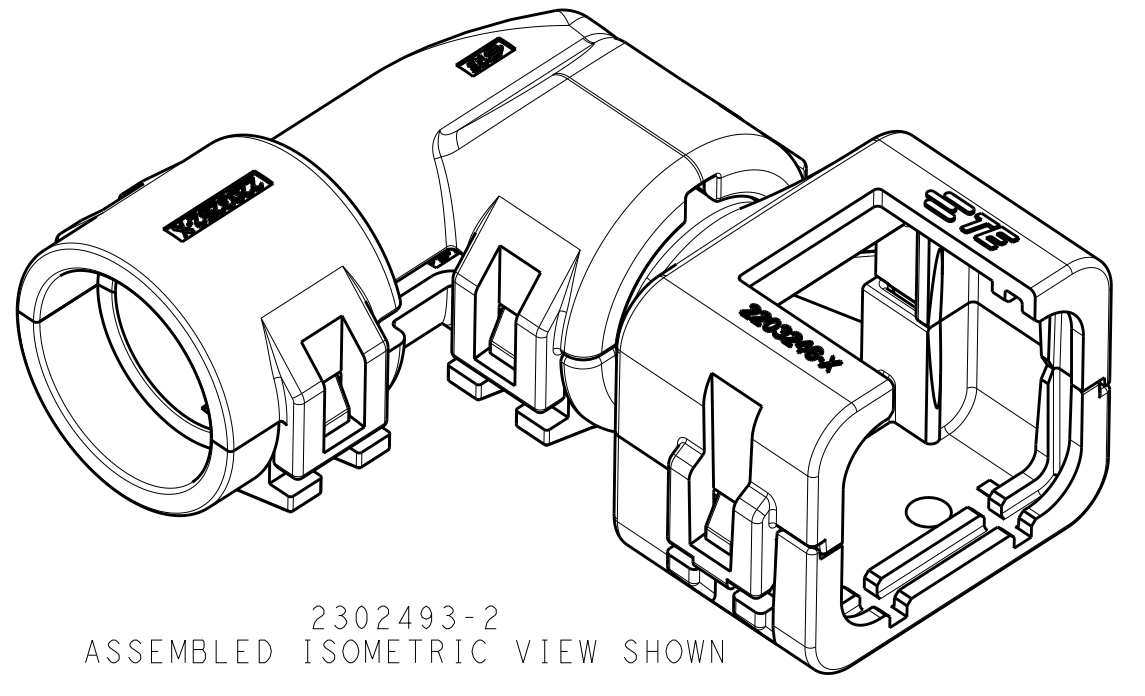
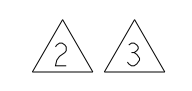
REVISIONS				
P.	LTN	DESCRIPTION	DATE	APP'D
A		RELEASED PER ECO-16-008203	01JUN2016	JM RB
A2		REV PER ECO-16-013256	08SEP2016	JM RB



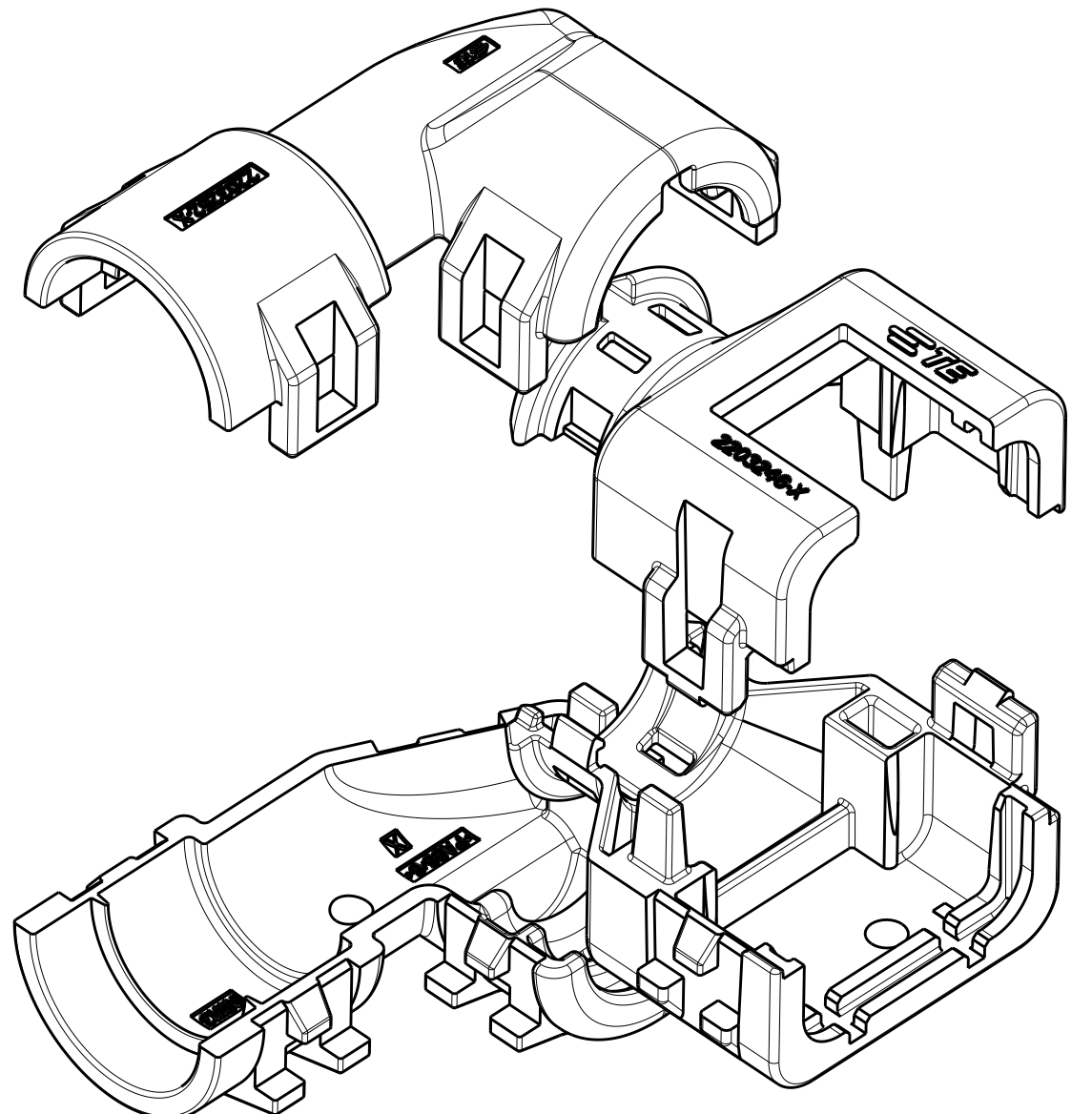
2302493-1
ASSEMBLED ISOMETRIC VIEW SHOWN



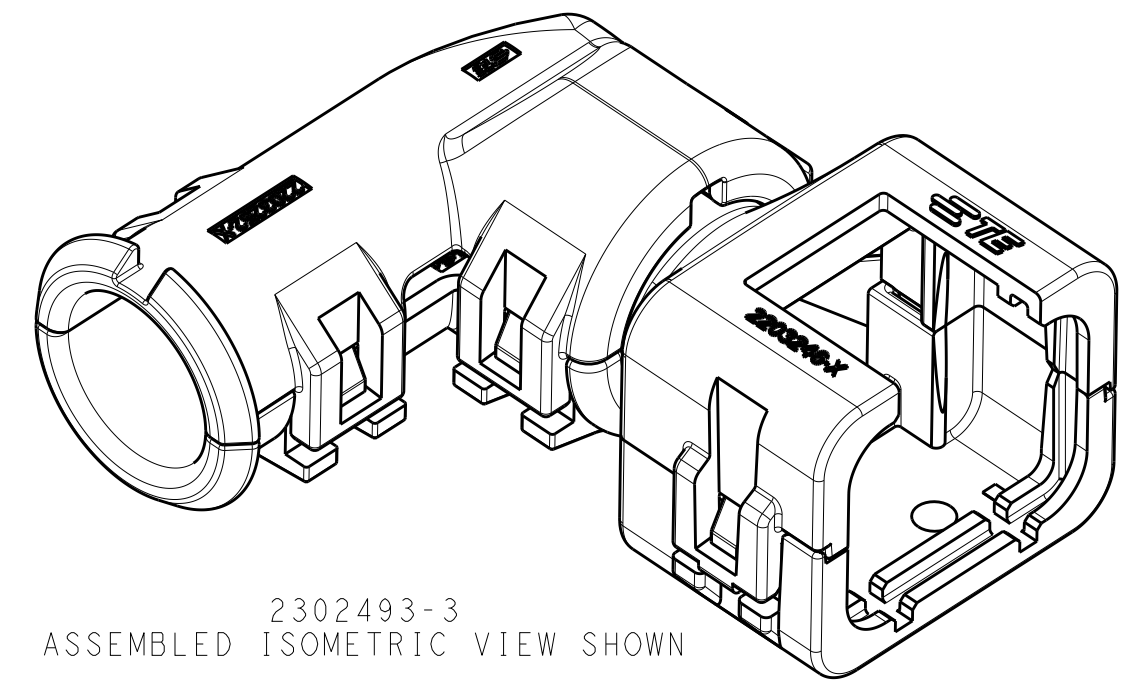
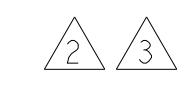
2302493-1
EXPLODED ISOMETRIC VIEW SHOWN



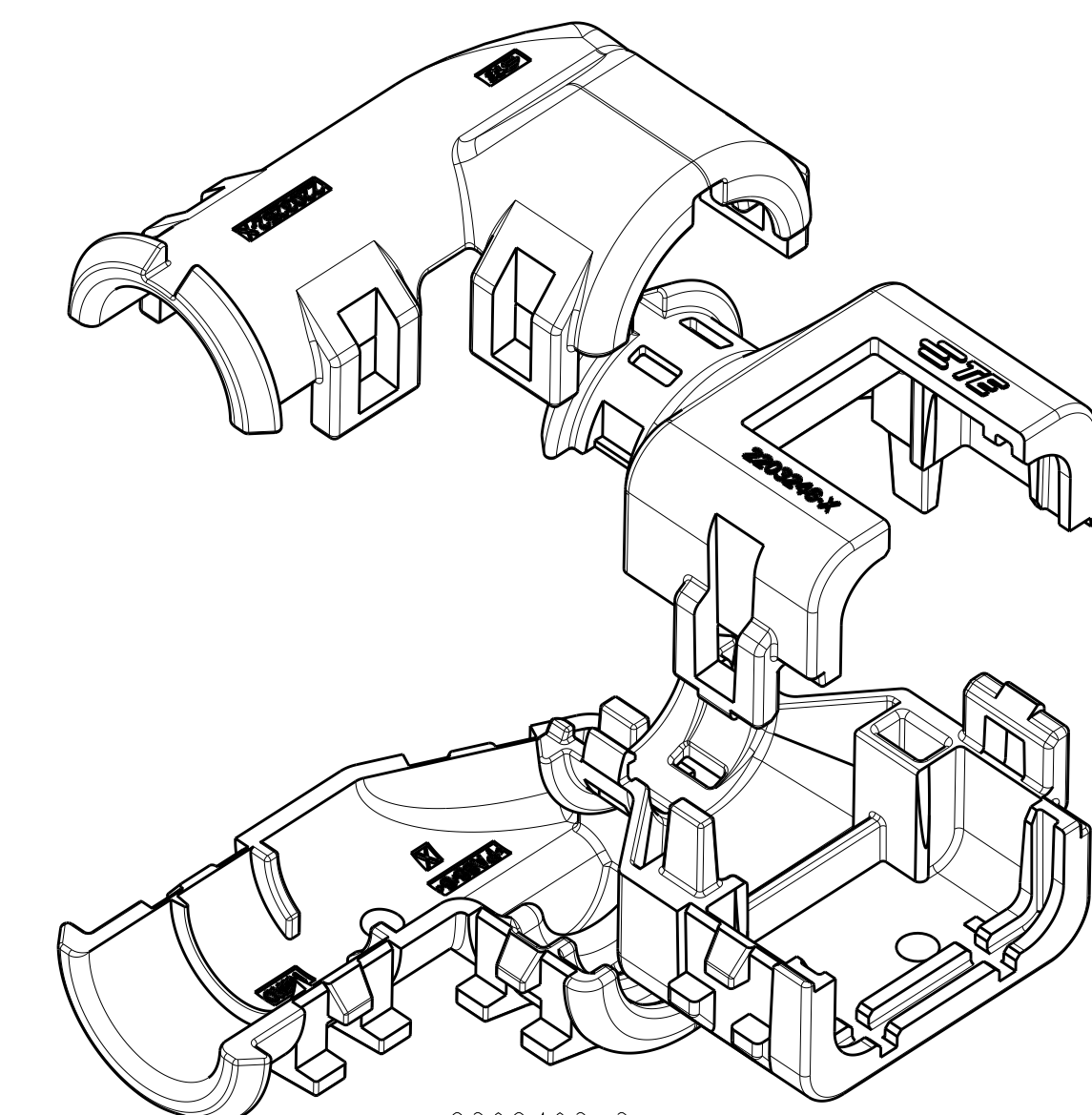
2302493-2
ASSEMBLED ISOMETRIC VIEW SHOWN



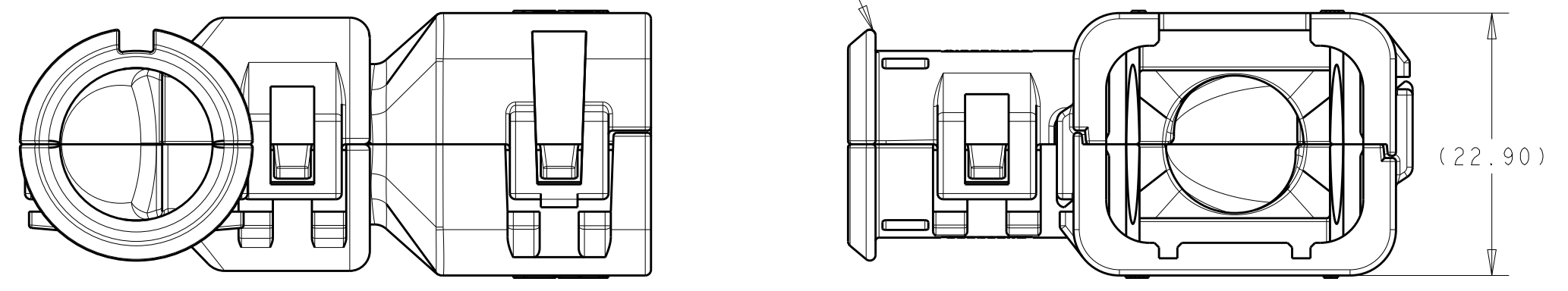
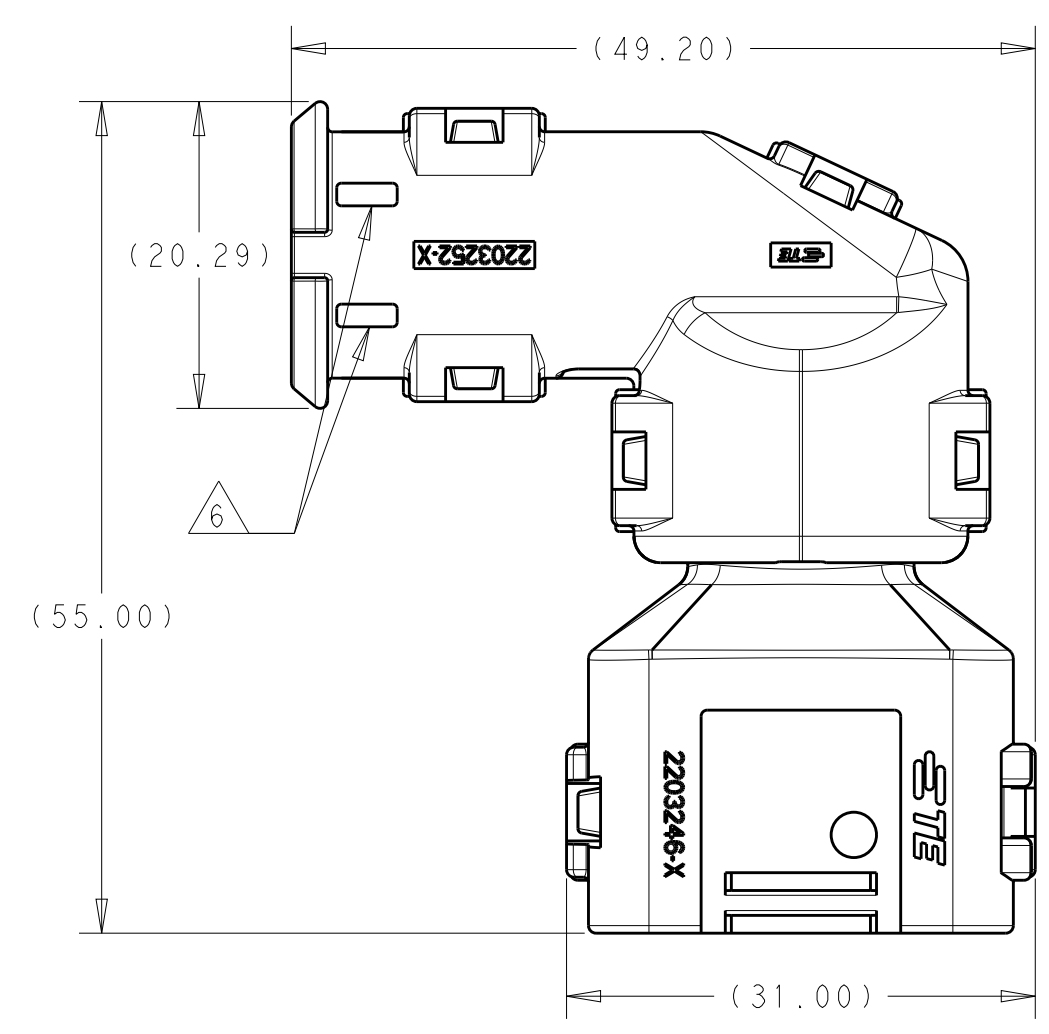
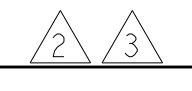
2302493-2
EXPLODED ISOMETRIC VIEW SHOWN



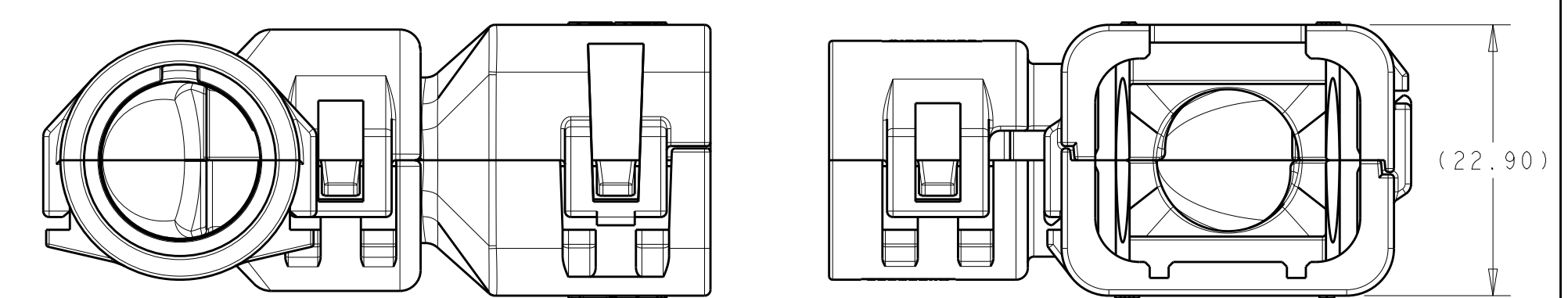
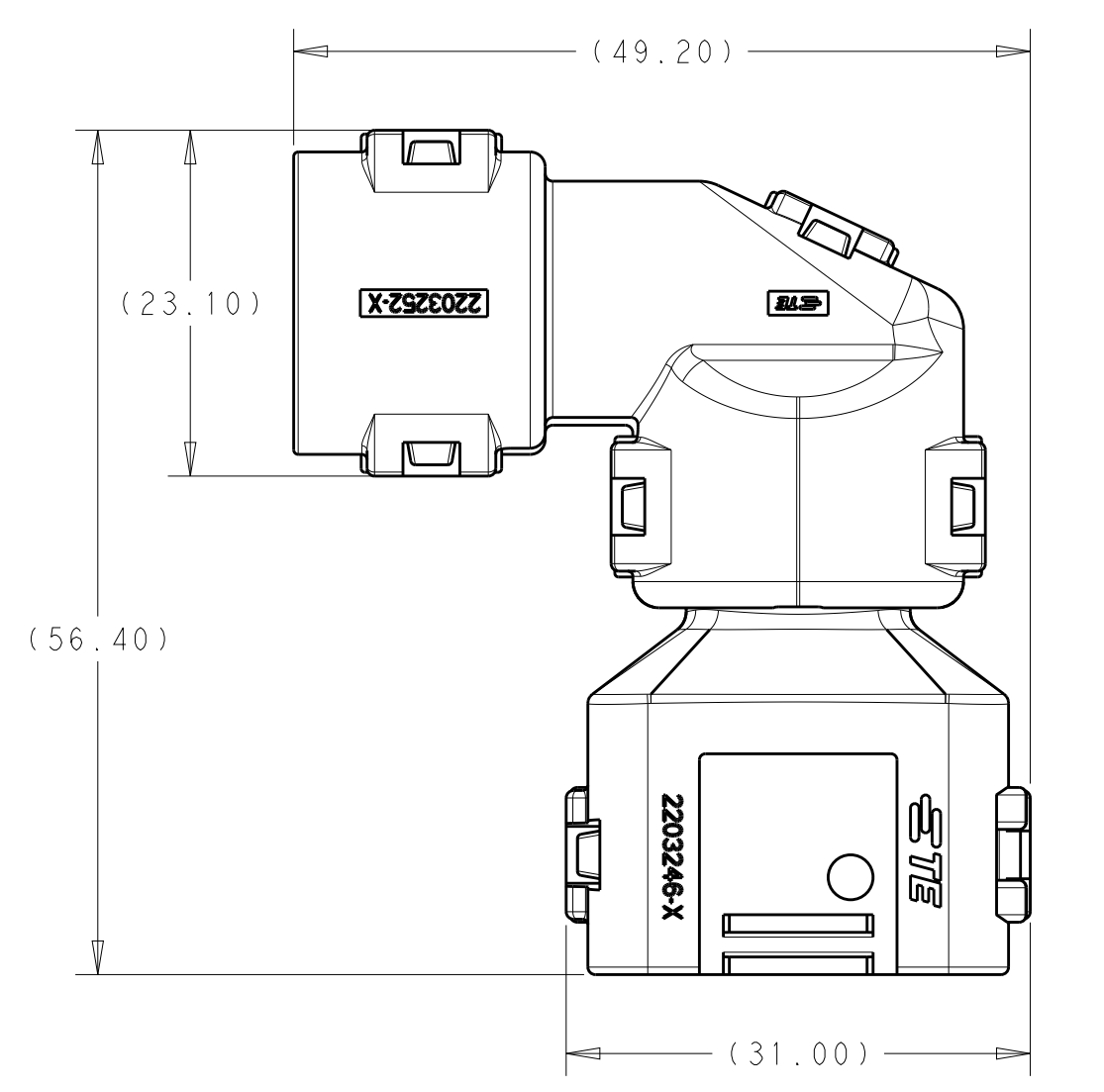
2302493-3
ASSEMBLED ISOMETRIC VIEW SHOWN



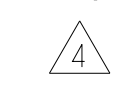
2302493-3
EXPLODED ISOMETRIC VIEW SHOWN



2302493-1
ASSEMBLED VIEW SHOWN
DIMENSIONS SHOWN TYPICAL FOR 2302493-1 AND -3



2302493-2
ASSEMBLED VIEW SHOWN
DIMENSIONS SHOWN FOR 2302493-2 ONLY



- 1 MATERIAL: NYLON MOLDING COMPOUND, BLACK, PA66/6.
- 2 BACKSHELL DESIGNED SUCH THAT TWO HALVES ATTACH TO ONE ANOTHER AND CLAMP AROUND THE CONNECTOR COVER.
- 3 ELBOW DESIGNED SUCH THAT TWO HALVES ATTACH TO ONE ANOTHER AND CLAMP AROUND THE BACKSHELL COLLAR.
- 4 DIMENSIONS TO BE MEASURED WHEN ELBOWS AND BACKSHELLS ASSEMBLED.
- 5 PRODUCT WEIGHTS:
2302493-1: 11.45g ASSEMBLED
2302493-2: 12.25g ASSEMBLED
2302493-3: 11.60g ASSEMBLED
- 6 4MM WIDE SLOTS FOR TIE WRAP TO SECURE HARNESS WIRES (-1 ONLY).
- 7 HEAT SHRINK TUBING FEATURE (-1 AND -3 ONLY).
- 8. INSTRUCTION SHEET: 408-151043
- 9. CONDUIT PROFILE: NORMAL ONLY

776433-X	NC12	NW10	2302493-3
776531-X	NC16	NW13	2302493-2
	SMOOTH	SMOOTH	2302493-1
FITS ON PLUG ASSY	CORREGATE NC	CORREGATE NW	PART NUMBER
	CONDUIT SIZE		

THIS DRAWING IS A CONTROLLED DOCUMENT.

DIMENSIONS: mm [INCHES]	TOLERANCES UNLESS OTHERWISE SPECIFIED:	0 PLC ±	1 PLC ±	2 PLC ±	3 PLC ±	4 PLC ±	ANGLES ±	FINISH

MATERIAL: 1

WEIGHT: 5

CUSTOMER DRAWING

DWN: J. MCNEAL 13APR2016
CHK: R. BALTER 13APR2016
APP'D: R. BALTER 13APR2016

NAME: BACKSHELL AND ELBOW KIT, 6 POSN PLUG ASSY, AMPSEAL 16

PRODUCT SPEC: 108-151043

APPLICATION SPEC:

SIZE: A1

CAGE CODE: 100779

DRAWING NO: C=2302493

RESTRICTED TO:

SCALE: 1:1

SHEET: 1 OF 1

REV: A2

X-ON Electronics

Largest Supplier of Electrical and Electronic Components

Click to view similar products for [Automotive Connectors](#) category:

Click to view products by [TE Connectivity](#) manufacturer:

Other Similar products are found below :

[003-018-000](#) [60993906-B](#) [M902-2131](#) [M902-2161](#) [M902-2344](#) [72.330.1035.1](#) [73.353.4028.0](#) [F166900](#) [F358300-B](#) [F407400](#) [776880-1](#)
[827153-1](#) [8N1515-32-24P](#) [9-1326729-8](#) [925474-1](#) [928905-1](#) [964562-4](#) [968782-1](#) [98891-1012](#) [12004475-L](#) [12020308](#) [12041318-B](#)
[12052466](#) [12064869](#) [12015909](#) [1-21030-1](#) [12041254](#) [12041318](#) [12047946-B](#) [12110546-B](#) [12131792](#) [12084688](#) [12092346](#) [HD34-18-14PT](#)
[HD46-24-23SN-059](#) [HDB36-24-16PN-059](#) [HDP26-24-9SE-L015](#) [12185280](#) [12185550](#) [12336-12](#) [12191172-B](#) [12S](#) [13545280](#) [13577943](#)
[13681974](#) [13737722-B](#) [13830674](#) [13832576](#) [13849772](#) [13542772](#)