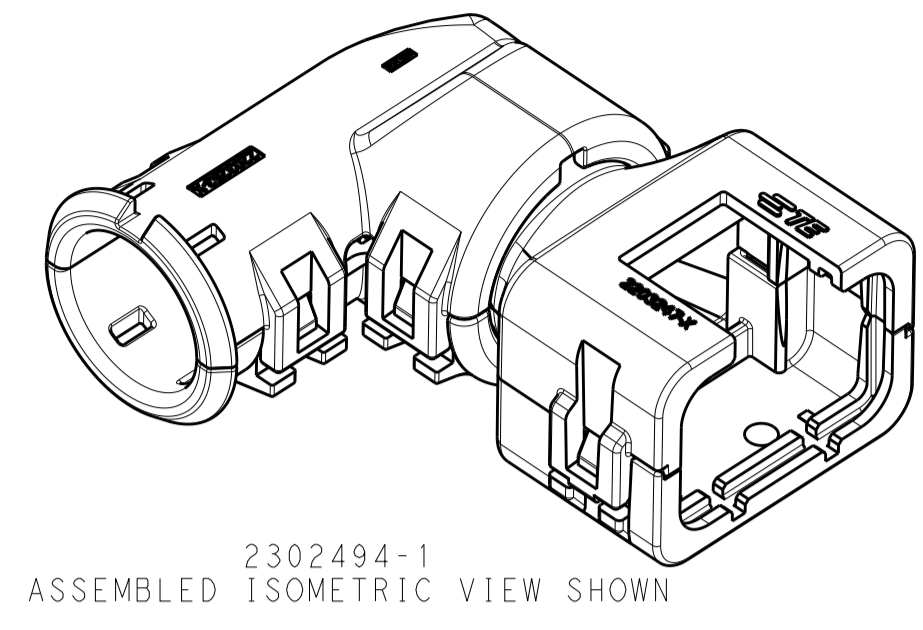
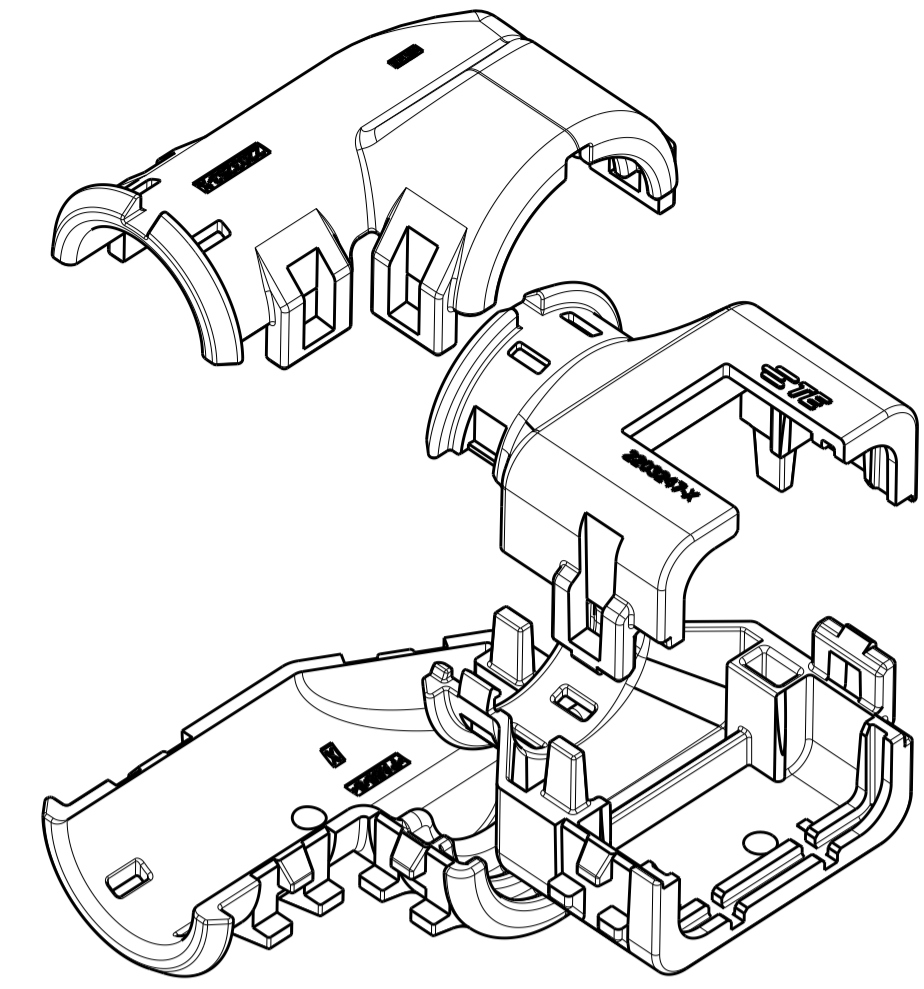


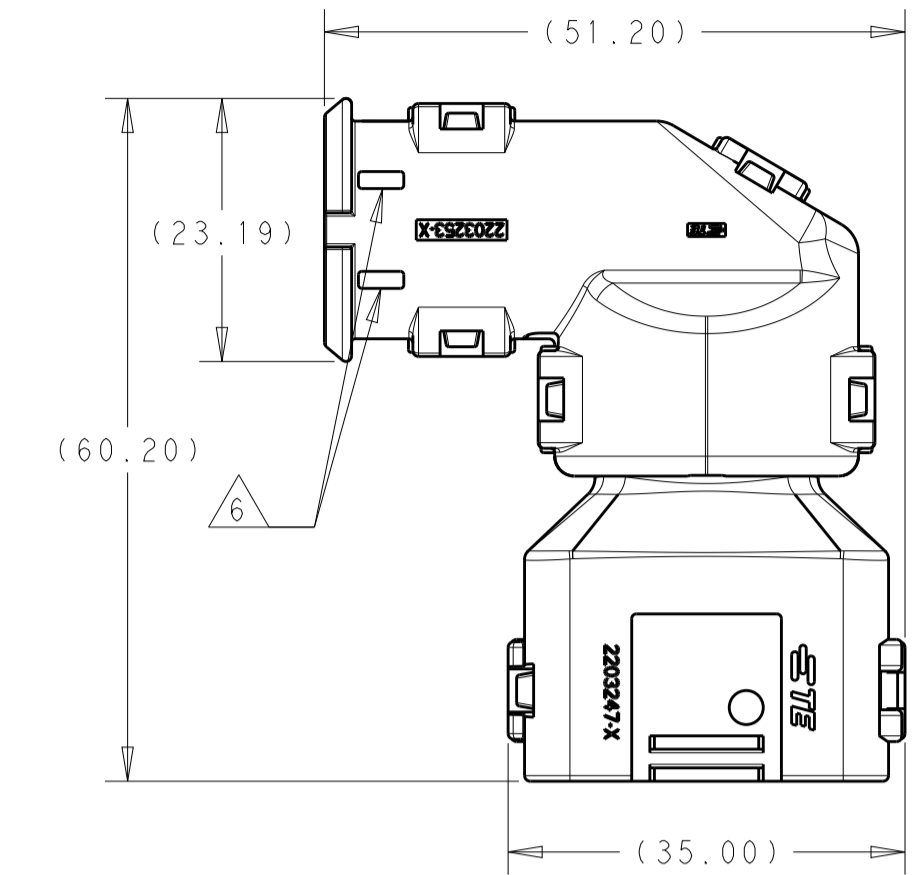
REVISIONS				
P.	LTN	DESCRIPTION	DATE	APVD
A		RELEASED PER ECO-16-008203	01JUN2016	JM RB
A2		REV PER ECO-16-013256	08SEP2016	JM RB



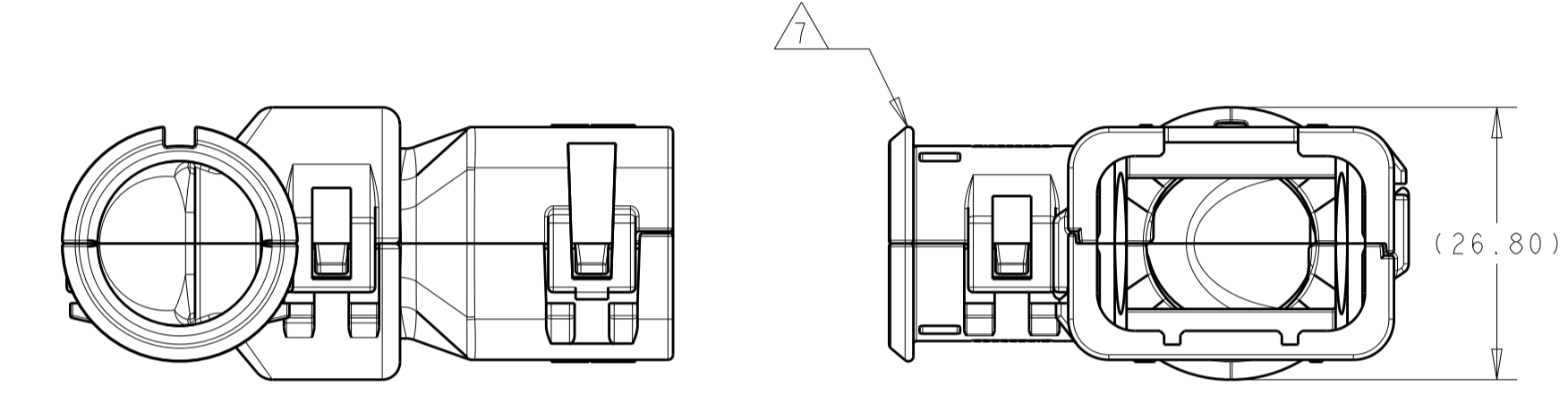
2302494-1
ASSEMBLED ISOMETRIC VIEW SHOWN



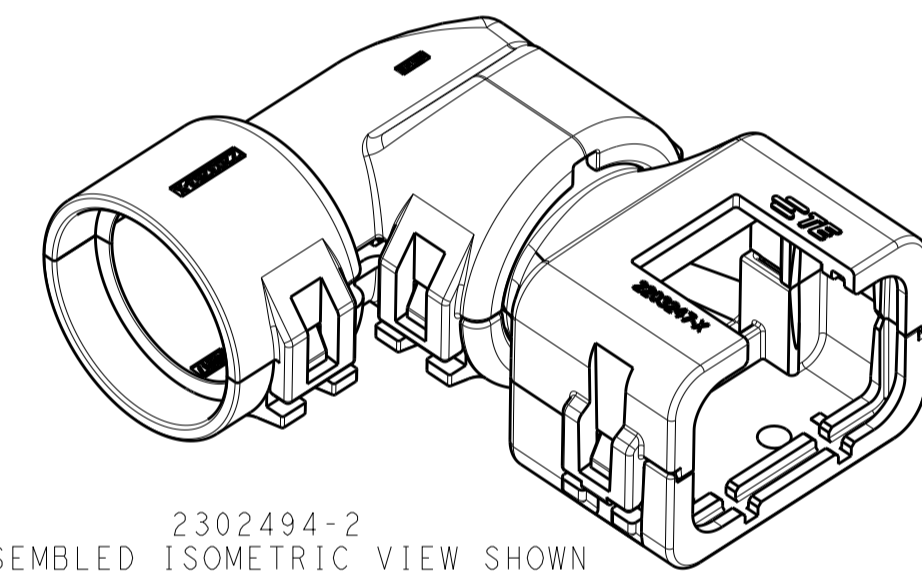
2302494-1
EXPLODED ISOMETRIC VIEW SHOWN
2 3



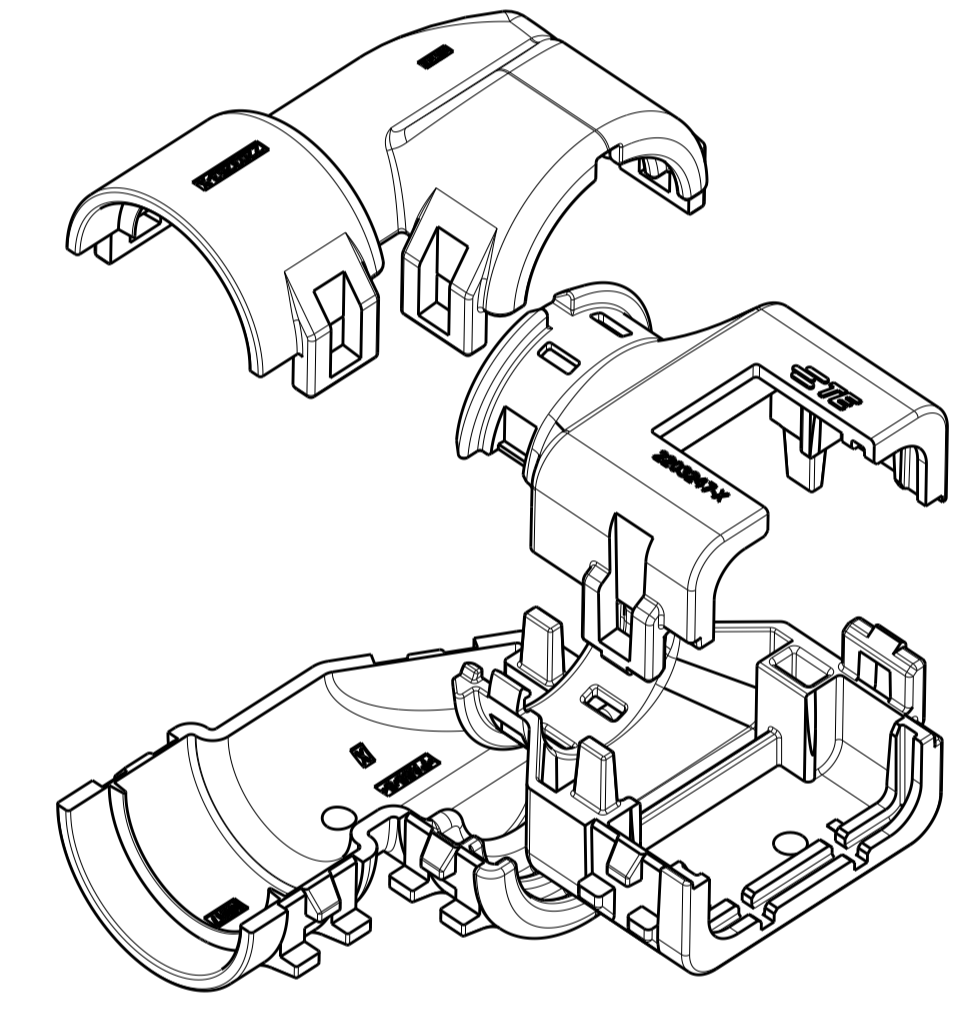
- 1 MATERIAL: NYLON MOLDING COMPOUND, BLACK, PA66/6.
- 2 BACKSHELL DESIGNED SUCH THAT TWO HALVES ATTACH TO ONE ANOTHER AND CLAMP AROUND THE CONNECTOR COVER.
- 3 ELBOW DESIGNED SUCH THAT TWO HALVES ATTACH TO ONE ANOTHER AND CLAMP AROUND THE BACKSHELL COLLAR.
- 4 DIMENSIONS TO BE MEASURED WHEN ELBOWS AND BACKSHELLS ASSEMBLED.
- 5 PRODUCT WEIGHTS:
2302494-1: 13.80g ASSEMBLED
2302494-2: 14.25g ASSEMBLED
2302494-3: 14.00g ASSEMBLED
- 6 4MM WIDE SLOTS FOR TIE WRAP TO SECURE HARNESS WIRES (-1 ONLY).
- 7 HEAT SHRINK TUBING FEATURE (-1 AND -3 ONLY).
- 8. INSTRUCTION SHEET: 408-151043.
- 9. CONDUIT PROFILE: NORMAL ONLY.



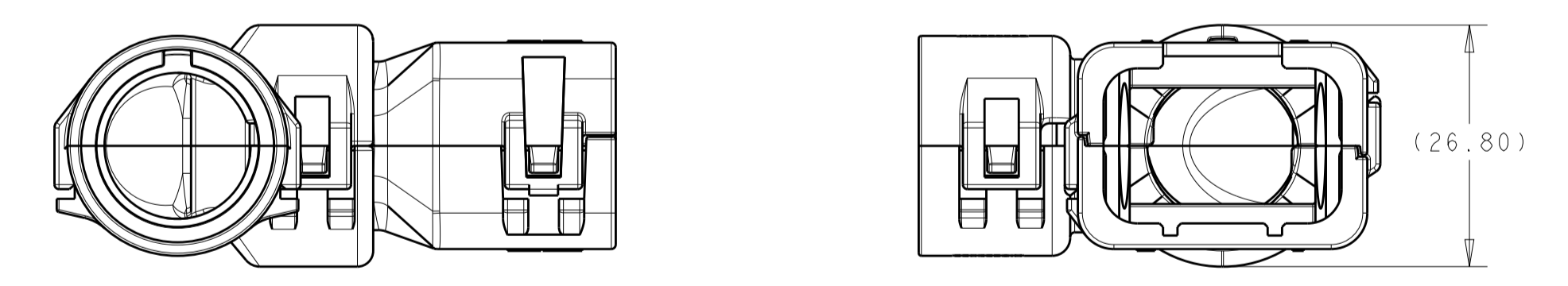
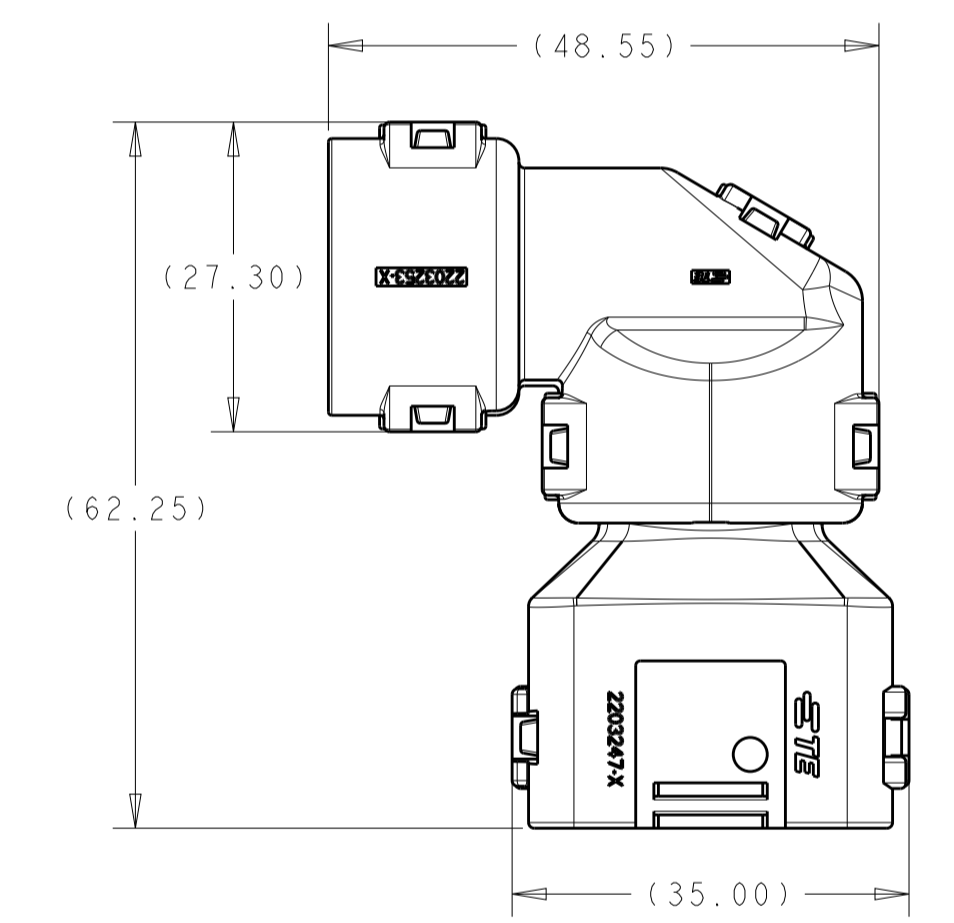
2302494-1
ASSEMBLED VIEW SHOWN
DIMENSIONS SHOWN TYPICAL FOR 2302494-1 AND -3
4



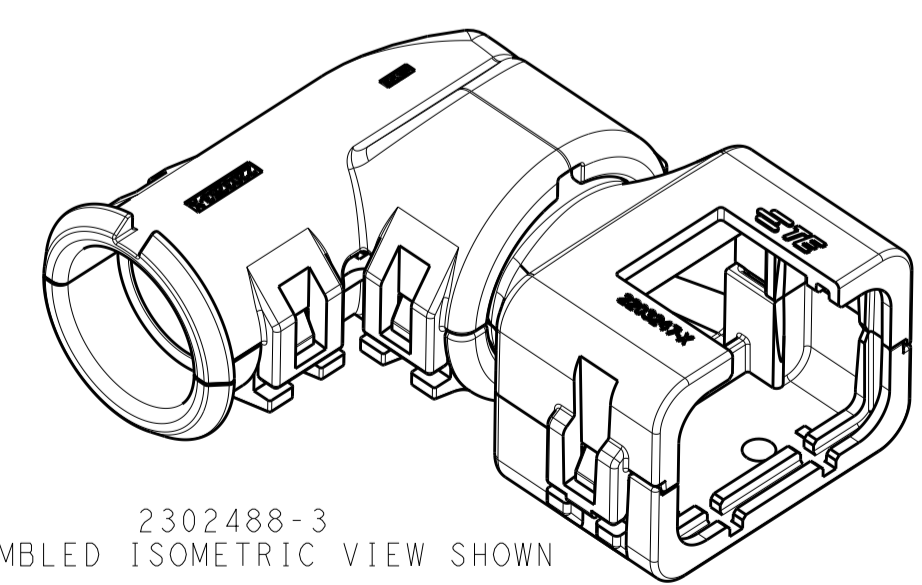
2302494-2
ASSEMBLED ISOMETRIC VIEW SHOWN



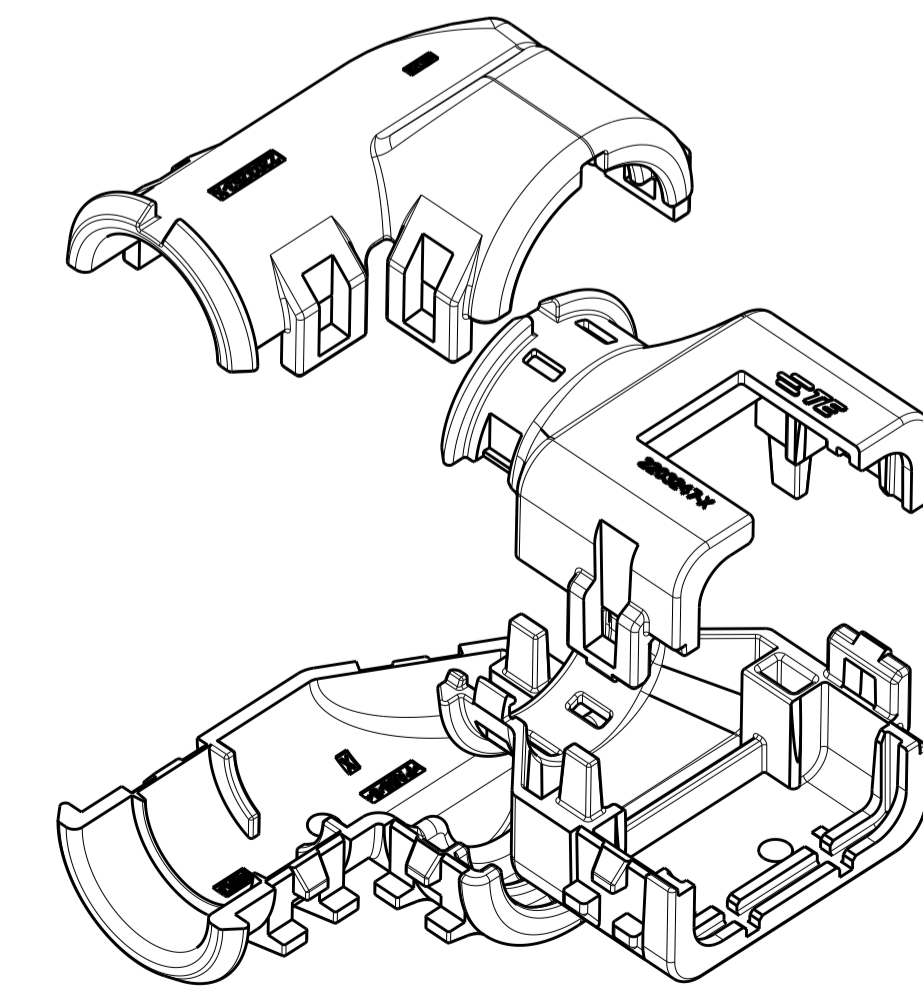
2302494-2
EXPLODED ISOMETRIC VIEW SHOWN
2 3



2302494-2
ASSEMBLED VIEW SHOWN
DIMENSIONS SHOWN FOR 2302494-2 ONLY
4



2302488-3
ASSEMBLED ISOMETRIC VIEW SHOWN



2302494-3
EXPLODED ISOMETRIC VIEW SHOWN
2 3

776494-X	NC16	NW13	2302494-3
776532-X	NC20	NW17	2302494-2
	SMOOTH	SMOOTH	2302494-1
FITS ON PLUG ASSY	CORREGATE NC	CORREGATE NW	PART NUMBER
	CONDUIT SIZE		

THIS DRAWING IS A CONTROLLED DOCUMENT.		OWN: J. MCNEAL 13APR2016	TE Connectivity	
DIMENSIONS: mm [INCHES]		CHK: R. BALTER 13APR2016		
TOLERANCES UNLESS OTHERWISE SPECIFIED:		APVD: R. BALTER 13APR2016		
0 PLC	±	NAME: BACKSHELL AND ELBOW KIT, 8 POSN PLUG ASSY, AMPSEAL 16		
1 PLC	±	PRODUCT SPEC: 108-151043		
2 PLC	±	APPLICATION SPEC:		
3 PLC	±	SIZE: A	CAGE CODE: 100779	DRAWING NO: 2302494
4 PLC	±	WEIGHT: 5	RESTRICTED TO:	
ANGLES	±	MATERIAL:	CUSTOMER DRAWING	SCALE: 3:2
FINISH:			SHEET: 1 OF 1	REV: A2

X-ON Electronics

Largest Supplier of Electrical and Electronic Components

Click to view similar products for [Automotive Connectors](#) category:

Click to view products by [TE Connectivity](#) manufacturer:

Other Similar products are found below :

[003-018-000](#) [60403001](#) [60993906-B](#) [M902-2131](#) [M902-2161](#) [72.330.1035.1](#) [73.353.4028.0](#) [F119300-B](#) [F166900](#) [F258300-B](#) [F358300-B](#)
[F407400](#) [F444110](#) [F487000](#) [F509500B-B](#) [827153-1](#) [8N1515-32-24P](#) [9-1326729-8](#) [925474-1](#) [928905-1](#) [964562-4](#) [968782-1](#) [GT17SA-8DS-](#)
[HU](#) [98891-1012](#) [98947-1016](#) [12004147](#) [12004475-L](#) [12010290](#) [12010309-B](#) [12015454](#) [12020219-B](#) [12020308](#) [12041318-B](#) [12052225-L](#)
[12052466](#) [12059125](#) [12064869](#) [12004327-B](#) [12010503-B](#) [12015308](#) [12015384](#) [12015909](#) [1-21030-1](#) [12041254](#) [12041318](#) [12047946-B](#)
[12047957](#) [12047957-L](#) [12059473](#) [12066261](#)