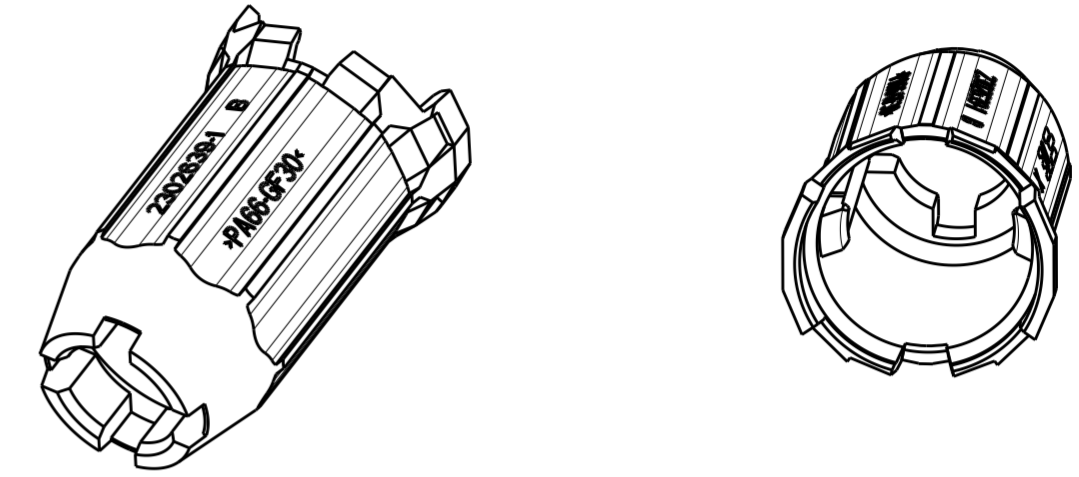
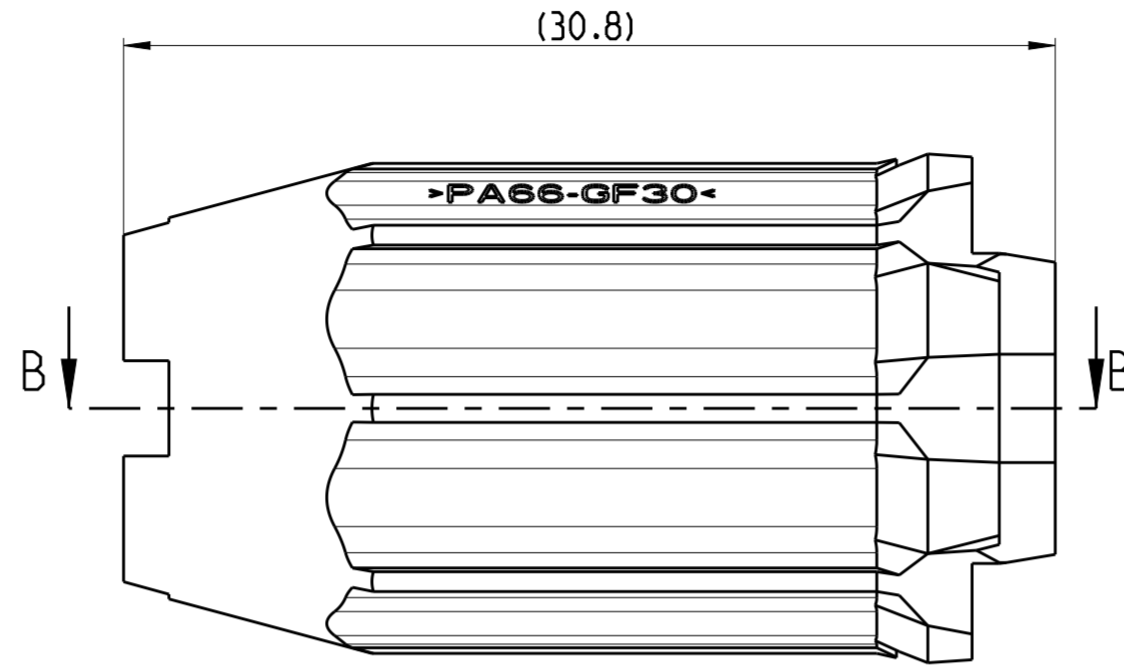
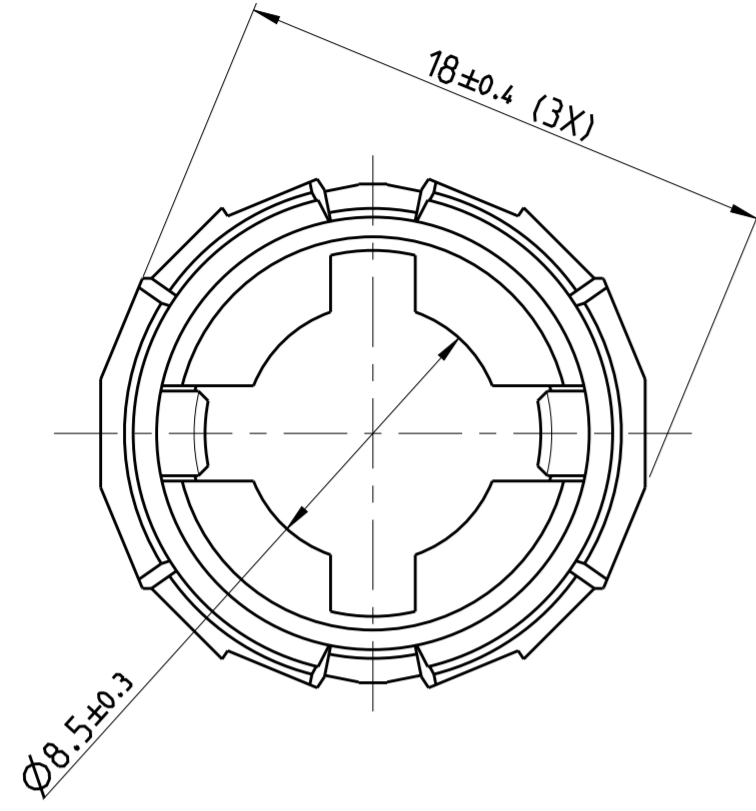


THIS DRAWING IS UNPUBLISHED. RELEASED FOR PUBLICATION 2013  
 © COPYRIGHT 2013 Tyco Electronics AMP GmbH ALL RIGHTS RESERVED.

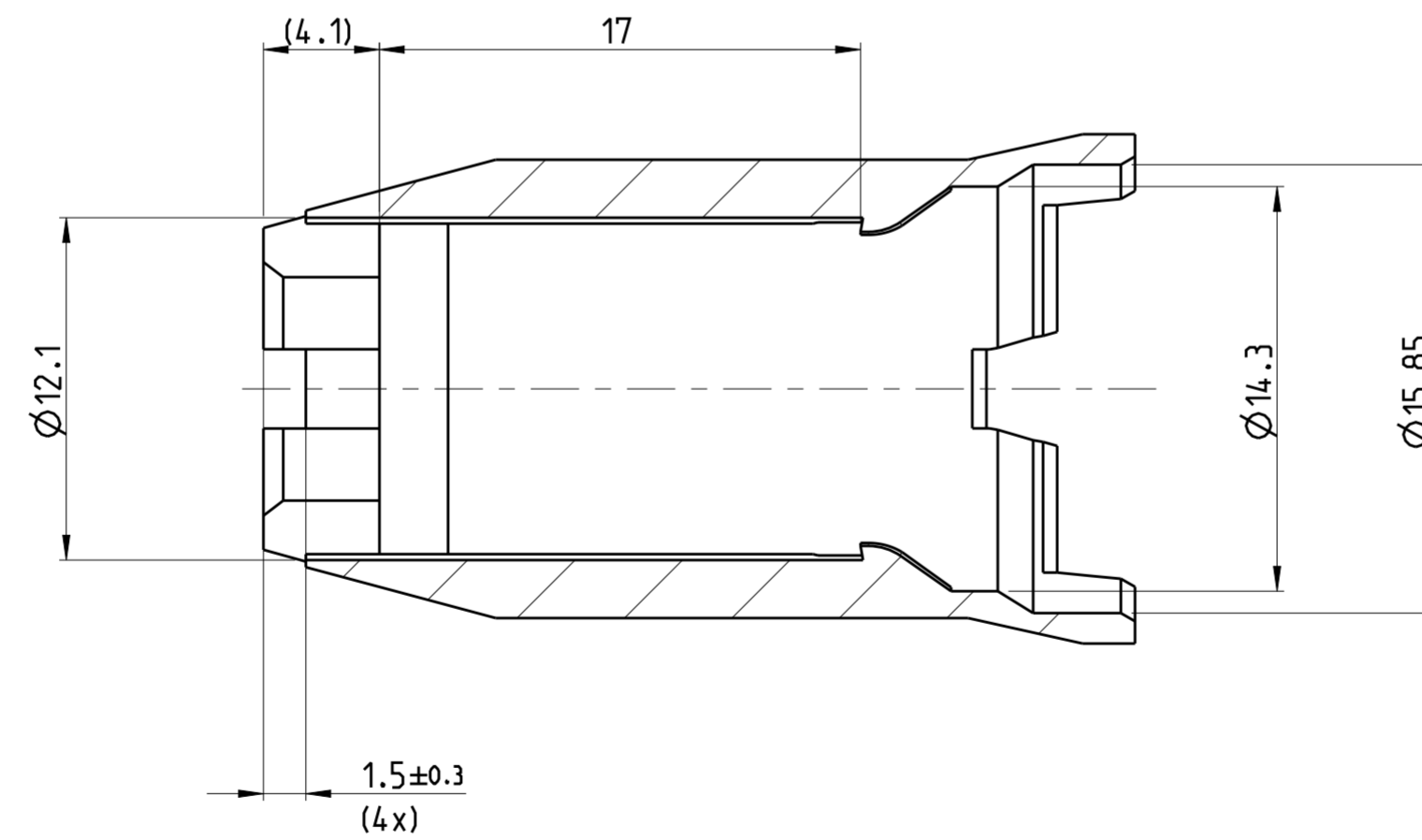
| LOC | DIST | REVISIONS |     |                       |         |     |      |
|-----|------|-----------|-----|-----------------------|---------|-----|------|
| ES  | 00   | P         | LTR | DESCRIPTION           | DATE    | DWN | APVD |
|     |      | A         |     | RELEASED              | 11SEP16 | J.L | I.Y  |
|     |      | B         |     | REVISED ECO-17-016316 | 06DEC17 | F.S | E.J  |



NOTES:

- 1 PACKAGING: BULK PACKAGING IN PLASTIC BAG AND SHIPPING BOX

B-B



-1 AS SHOWN

|             |                       |          |        |
|-------------|-----------------------|----------|--------|
| 2302639-1   | FINGER PROTECTION CAP | PA66-GF  | ORANGE |
| TE-PART-NO. | DESCRIPTION           | MATERIAL | COLOUR |

|  |  |                                  |                          |                    |                               |
|--|--|----------------------------------|--------------------------|--------------------|-------------------------------|
| THIS DRAWING IS A CONTROLLED DOCUMENT.   |  | DWN<br>J.LI<br>14 APR 2016       | TE Connectivity          |                    |                               |
| DIMENSIONS: mm   |  | CHK<br>XX.LI<br>14 APR 2016      |                          |                    | NAME<br>FINGER PROTECTION CAP |
| TOLERANCES UNLESS OTHERWISE SPECIFIED:<br>±0.4<br>0. PLC ±<br>1. PLC ±<br>2. PLC ±<br>3. PLC ±<br>4. PLC ±<br>ANGLES ±<br>FINISH ± |  | APVD<br>I.YIN<br>11 SEP 2016     |                          |                    | RESTRICTED TO<br>-            |
| MATERIAL<br>SEE LABEL  |  | PRODUCT SPEC<br>APPLICATION SPEC | SIZE<br>A2               | CAGE CODE<br>00779 |                               |
|  |  | WEIGHT<br>-                      | DRAWING NO.<br>C-2302639 | SCALE<br>5:1       |                               |
|  |  | CUSTOMER DRAWING                 | SHEET<br>1 OF 1          | REV<br>B           |                               |

## X-ON Electronics

Largest Supplier of Electrical and Electronic Components

*Click to view similar products for [Automotive Connectors](#) category:*

*Click to view products by [TE Connectivity](#) manufacturer:*

Other Similar products are found below :

[003-018-000](#) [60993906-B](#) [72.330.1035.1](#) [776880-1](#) [827153-1](#) [9-1326729-8](#) [9-221607-5](#) [925474-1](#) [928905-1](#) [964562-4](#) [968782-1](#) [98891-1012](#) [12004468](#) [12004475-L](#) [12004483](#) [12052466](#) [12066163](#) [12015909](#) [12077753](#) [1-21030-1](#) [12047957](#) [12047958](#) [12084688](#) [12185550](#) [12336-12](#) [1-326211-1](#) [13681974](#) [13688972](#) [13755420](#) [13779834](#) [13783086](#) [13843152](#) [13522378](#) [13581967](#) [13669624](#) [13675513](#) [13753471](#) [13946876](#) [13953457](#) [13955963](#) [13964573](#) [13971791](#) [13790534-L](#) [13797473](#) [13805590](#) [13888202](#) [1428188-1](#) [1437287-3](#) [1428188-2](#) [DS07-19S-5020](#)