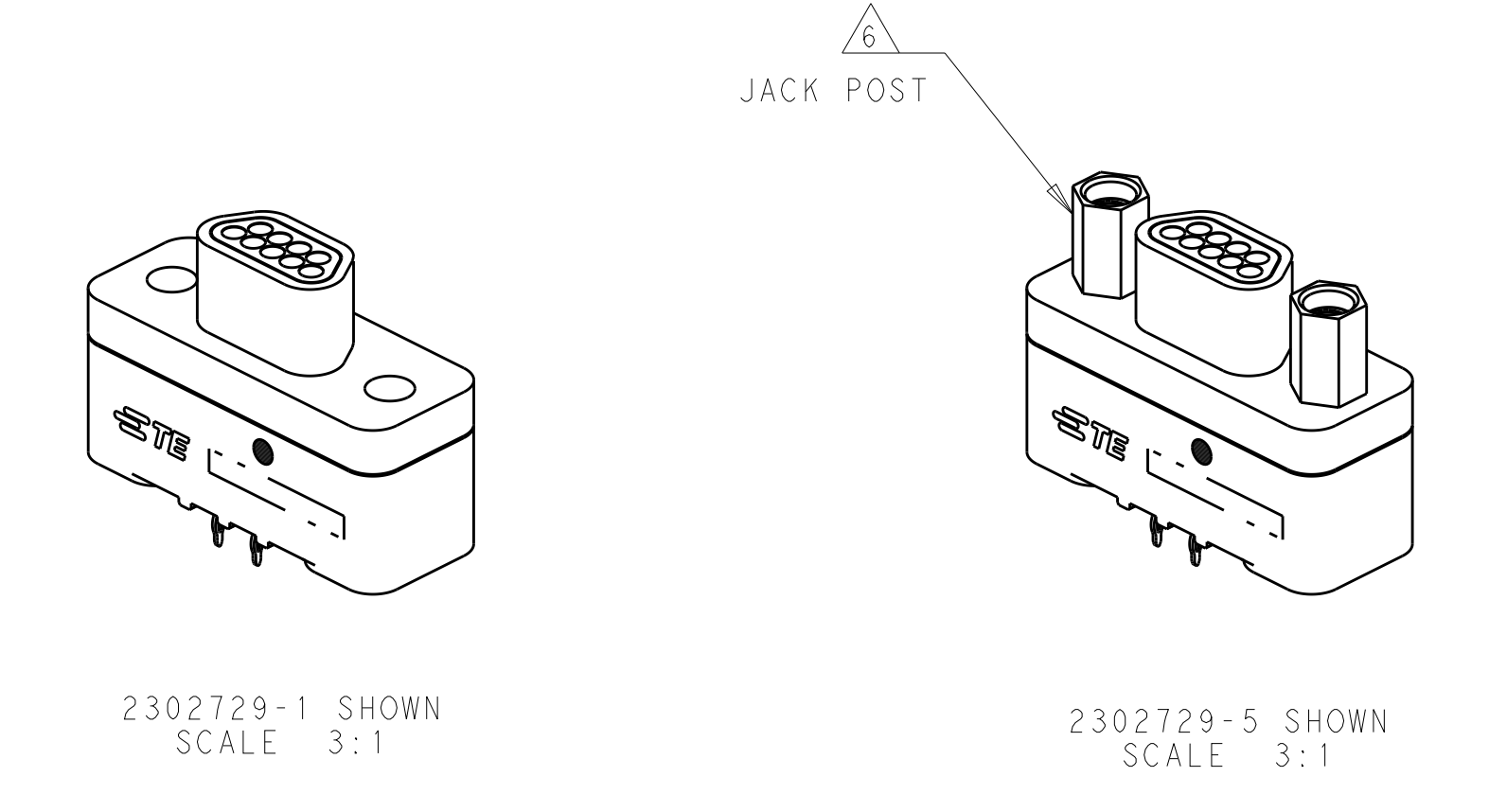
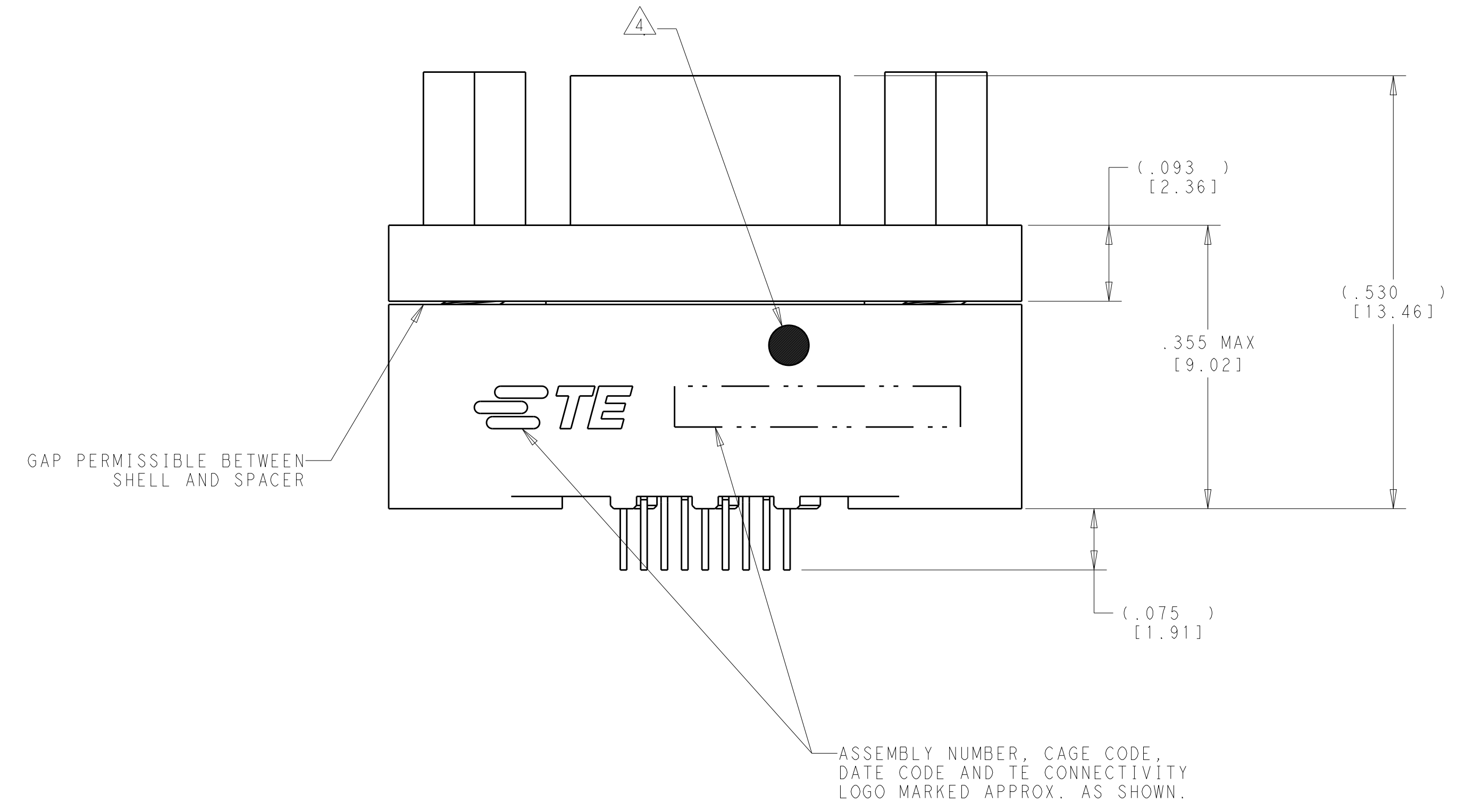
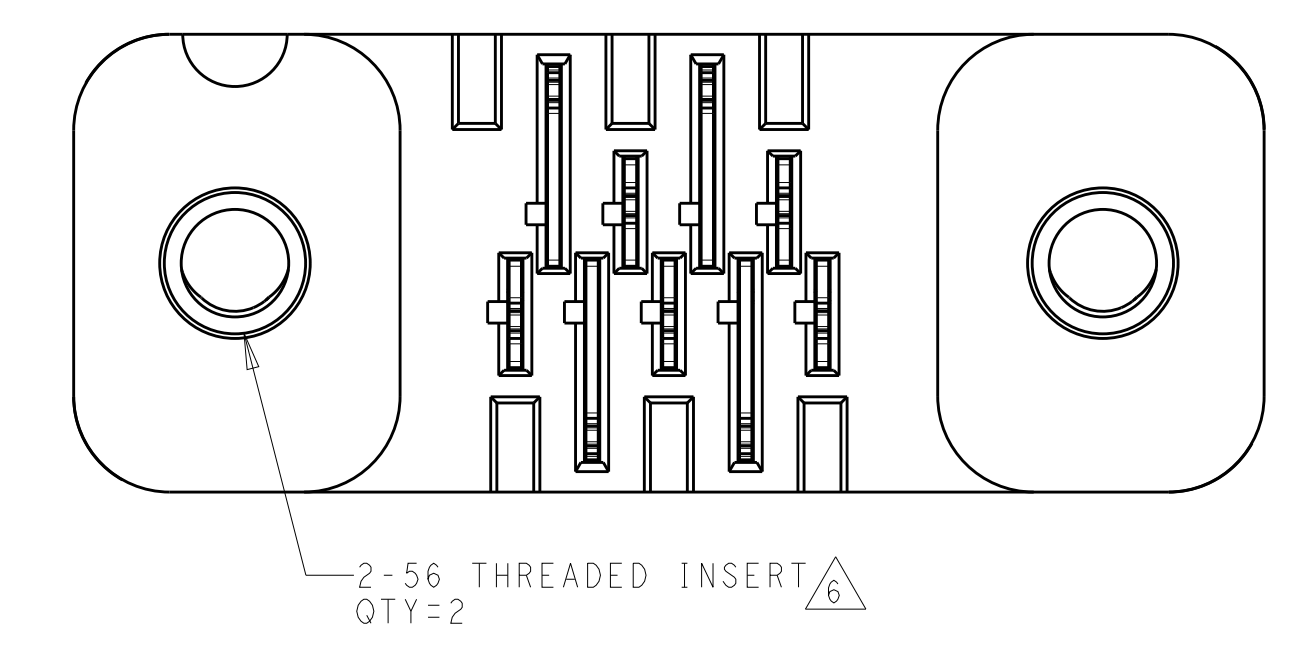
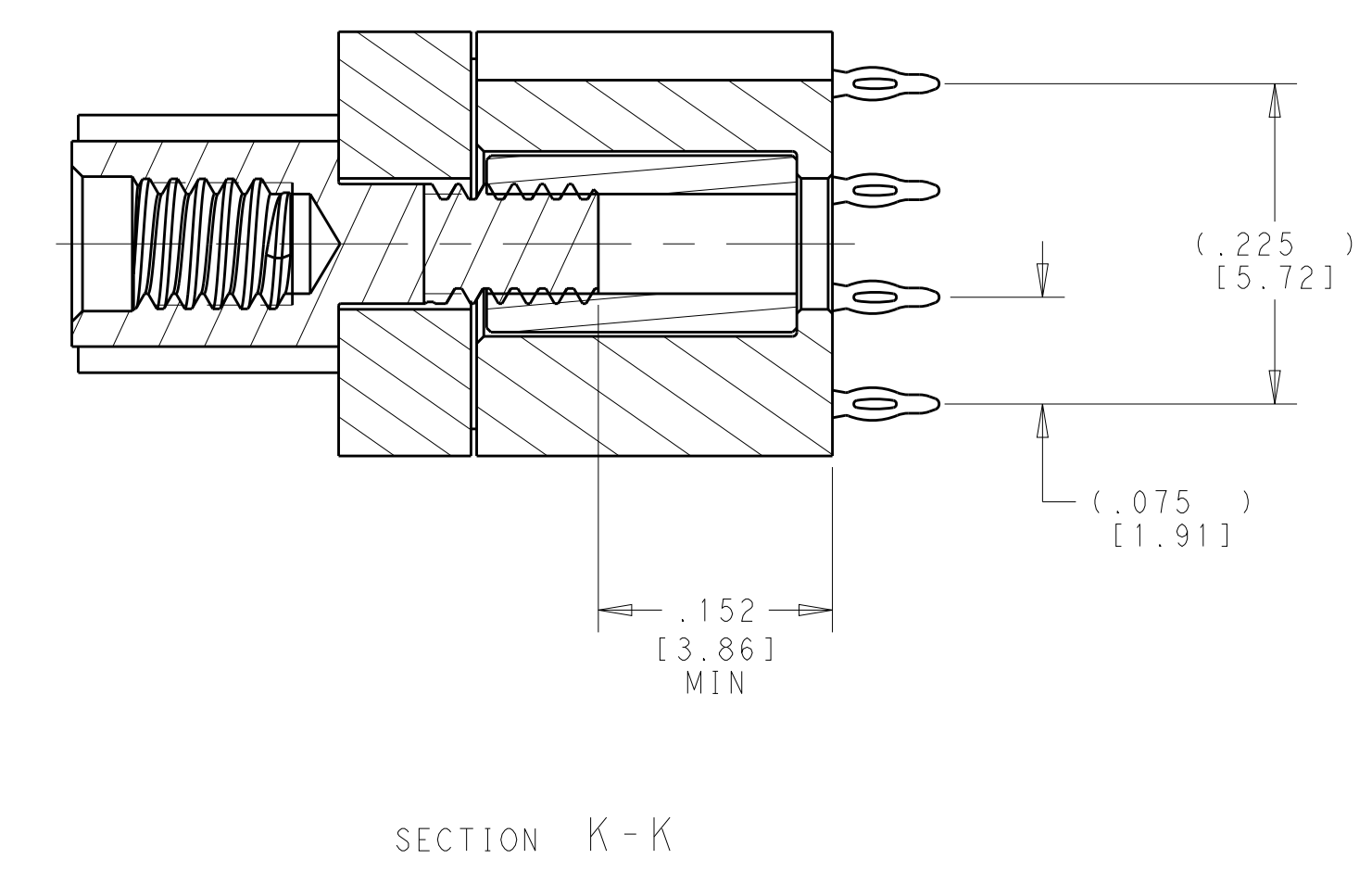
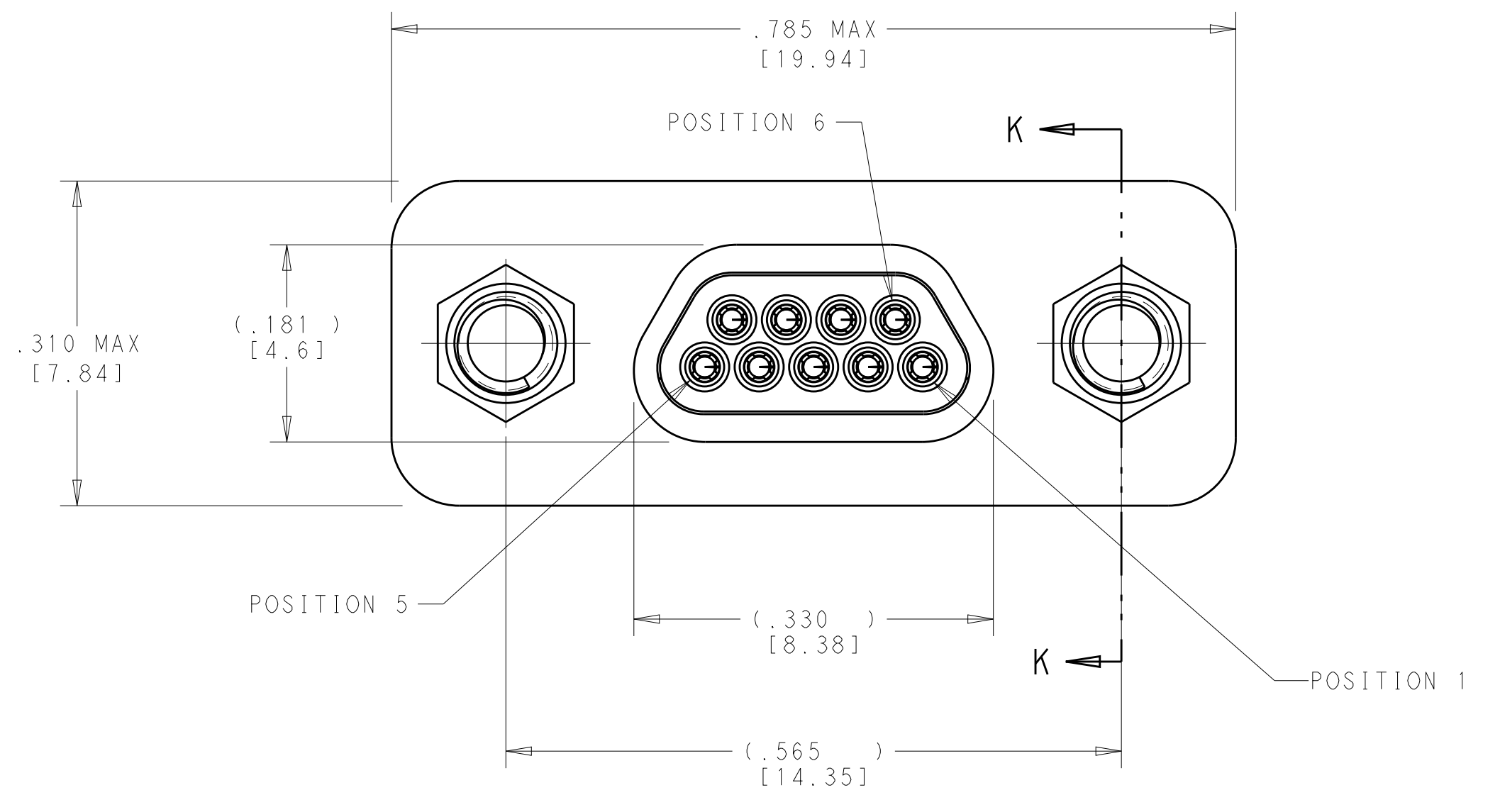


REVISIONS				
REV	DATE	DESCRIPTION	BY	APPD
1	PROPOSED		24062016	DCB KA



CONTACT	MOUNTING STYLE	SHELL PLATING	SHELL MATERIAL	MICRODOT PART NO	PART NO
Au	THREADED INSERT / JACK POST	BLACK ZINC	ALUMINUM	TBD	3-2302729-0
SnPb	THREADED INSERT / JACK POST	BLACK ZINC	ALUMINUM	TBD	2-2302729-9
Au	THRU-HOLE	BLACK ZINC	ALUMINUM	TBD	2-2302729-8
SnPb	THRU-HOLE	BLACK ZINC	ALUMINUM	TBD	2-2302729-7
Au	THREADED INSERT	BLACK ZINC	ALUMINUM	TBD	2-2302729-6
SnPb	THREADED INSERT	BLACK ZINC	ALUMINUM	TBD	2-2302729-5
Au	THREADED INSERT / JACK POST	PTFE	ALUMINUM	TBD	2-2302729-4
SnPb	THREADED INSERT / JACK POST	PTFE	ALUMINUM	TBD	2-2302729-3
Au	THRU-HOLE	PTFE	ALUMINUM	TBD	2-2302729-2
SnPb	THRU-HOLE	PTFE	ALUMINUM	TBD	2-2302729-1
Au	THREADED INSERT	PTFE	ALUMINUM	TBD	2-2302729-0
SnPb	THREADED INSERT	PTFE	ALUMINUM	TBD	1-2302729-9
Au	THREADED INSERT / JACK POST	PASSIVATED	STAINLESS STEEL	TBD	1-2302729-8
SnPb	THREADED INSERT / JACK POST	PASSIVATED	STAINLESS STEEL	TBD	1-2302729-7
Au	THRU-HOLE	PASSIVATED	STAINLESS STEEL	TBD	1-2302729-6
SnPb	THRU-HOLE	PASSIVATED	STAINLESS STEEL	TBD	1-2302729-5
Au	THREADED INSERT	PASSIVATED	STAINLESS STEEL	TBD	1-2302729-4
SnPb	THREADED INSERT	PASSIVATED	STAINLESS STEEL	TBD	1-2302729-3
Au	THREADED INSERT / JACK POST	CADMIUM	ALUMINUM	TBD	1-2302729-2
SnPb	THREADED INSERT / JACK POST	CADMIUM	ALUMINUM	TBD	1-2302729-1
Au	THRU-HOLE	CADMIUM	ALUMINUM	TBD	1-2302729-0
SnPb	THRU-HOLE	CADMIUM	ALUMINUM	TBD	2302729-9
Au	THREADED INSERT	CADMIUM	ALUMINUM	TBD	2302729-8
SnPb	THREADED INSERT	CADMIUM	ALUMINUM	TBD	2302729-7
Au	THREADED INSERT / JACK POST	NICKEL	ALUMINUM	TBD	2302729-6
SnPb	THREADED INSERT / JACK POST	NICKEL	ALUMINUM	TBD	2302729-5
Au	THRU-HOLE	NICKEL	ALUMINUM	TBD	2302729-4
SnPb	THRU-HOLE	NICKEL	ALUMINUM	TBD	2302729-3
Au	THREADED INSERT	NICKEL	ALUMINUM	TBD	2302729-2
SnPb	THREADED INSERT	NICKEL	ALUMINUM	TBD	2302729-1
CONTACT TAIL PLATING					

- △ MATERIAL:  
SHELL: SEE TABLE  
CONTACT: COPPER ALLOY  
INSULATOR: THERMOPLASTIC; COLOR: BLACK  
LEAD ORGANIZER: THERMOPLASTIC; COLOR: BLACK  
OPTIONAL HARDWARE: STAINLESS STEEL
- △ CONTACT FINISH:  
MATING AREA: GOLD 50µ" [1.27µm] Au MIN OVER 30µ" [0.76µm] Ni MIN.  
COMPLIANT PIN AREA: 15µ" [0.51µm] MIN BRIGHT SnPb OVER 50µ" [1.27µm] MIN Ni.
- △ REFERENCE APPLICATION SPEC 114-163000 FOR RECOMMENDED PCB LAYOUT, PLATED THROUGH HOLE DIAMETER AND PLATING THICKNESS. DATUMS AND BASIC DIMENSIONS ESTABLISHED BY CUSTOMER.
- △ POSITION 1 SHALL BE INDICATED BY AN IDENTIFIABLE MARK, LOCATED APPROXIMATELY AS SHOWN ON THE POSITION 1 SIDE OF THE CONNECTOR FLANGE. THIS MARK SHALL BE INCLUDED AS PART OF THE PART MARKING INFORMATION.
- 5. ALL DIMENSIONS AND REQUIREMENTS ARE PER MIL-DTL-83513/28 (EXCEPT COMPLIANT PINS & PART MARKING).
- △ THREADED INSERT AND JACK POST 2-56 UNC 2-B CONFIGURATION OPTIONAL.
- △ CONTACT FINISH:  
MATING AREA: GOLD 50µ" [1.27µm] Au MIN OVER 30µ" [0.76µm] Ni MIN.  
COMPLIANT PIN AREA: 15µ" [0.51µm] MIN Au OVER 50µ" [1.27µm] MIN Ni.

THIS DRAWING IS A CONTROLLED DOCUMENT.

DATE: 24JUN2016  
 CHK: BELACK, 24JUN2016  
 APPD: ANNIS, 24JUN2016

UNQUALIFIED PRODUCT  
 CONTACT PRODUCT ENGINEERING  
 BEFORE USING THIS PRINT

PLUG ASSY, VERTICAL, 2 ROW,  
 9 POSITION, MICRODOT PRESS-FIT

SCALE: 8:1 SHEET 1 OF 1 REV 1

## X-ON Electronics

Largest Supplier of Electrical and Electronic Components

*Click to view similar products for [D-Sub Standard Connectors](#) category:*

*Click to view products by [TE Connectivity](#) manufacturer:*

Other Similar products are found below :

[56F711-015](#) [012-9507-004](#) [LV242999-142T12](#) [015-0341-000](#) [015-0372-005](#) [015-0372-008](#) [015-8755-001](#) [020419-0104](#) [012-0467-000](#) [012-0515-000](#) [012-9507-034](#) [012-9507-114](#) [020745-0008](#) [609-25P](#) [M24308/2-23Z](#) [CT2-14S-2PCA34](#) [CT2-18-11PCAU](#) [CT2-36-15SC](#) [CT6-10SL-3SC](#) [CT6-10SL-4SC](#) [CT6-14S-2SC](#) [CT6E14SA7SC](#) [M83513/01-FC](#) [M83723/76W24619 L/C](#) [M85049/48-3-2F](#) [6STD09PCM99B70X](#) [6STD09SCM99B30X](#) [6STD09SCT99S40X](#) [6STD15PCT99S40X](#) [6STD15SCM99B30X](#) [6STD15SCT99S40X](#) [6STF09PCM05B70X](#) [7-135760-9](#) [MC11E-10-6SN](#) [747552-3](#) [MD1-21PS](#) [MDM-15SCBRM7-F222](#) [MDM96517-699](#) [MDM96521-744](#) [MDVB1-21SL1](#) [MIK0-1-7SH003](#) [MIKQ6-7SH076](#) [MIKQ7-7PH077](#) [MIKQ7-7PH11](#) [MIKQ7-7PH32](#) [MJSV-28SL61](#) [MKJ4A1F14-55S](#) [8-135760-3](#) [8STD09PCM99B30X](#) [PG-KV/PV-16-GROM-SEALING](#)