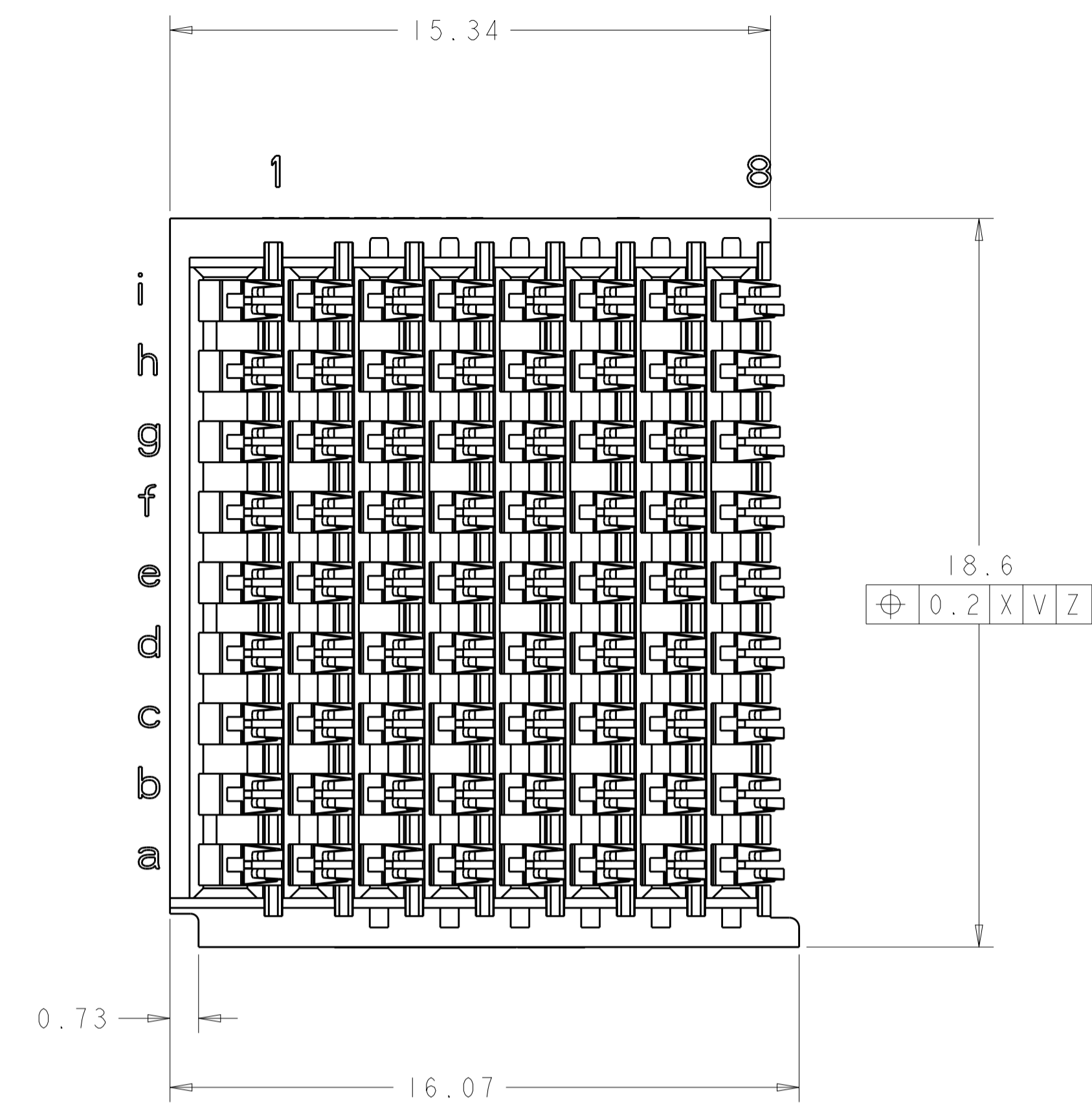
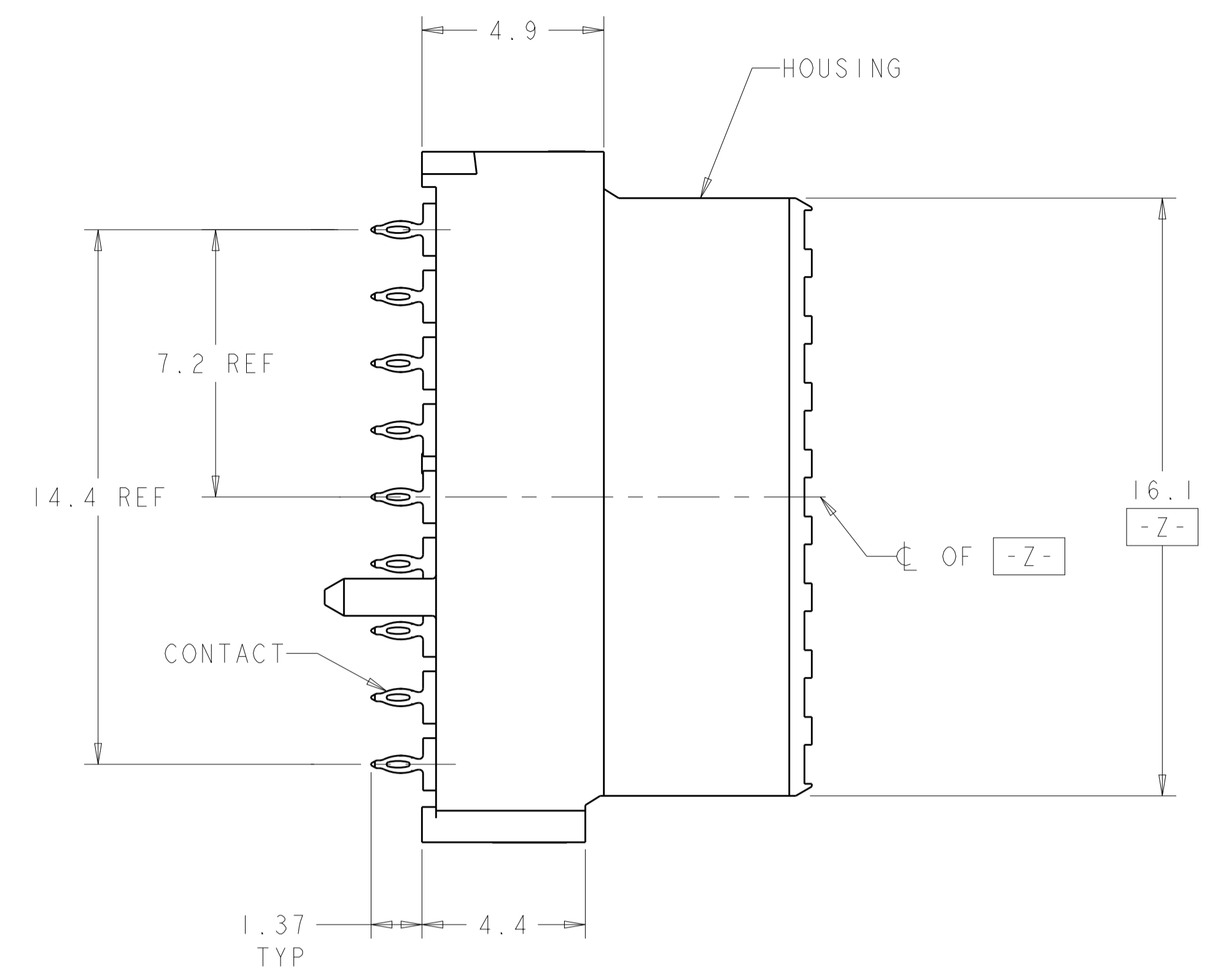
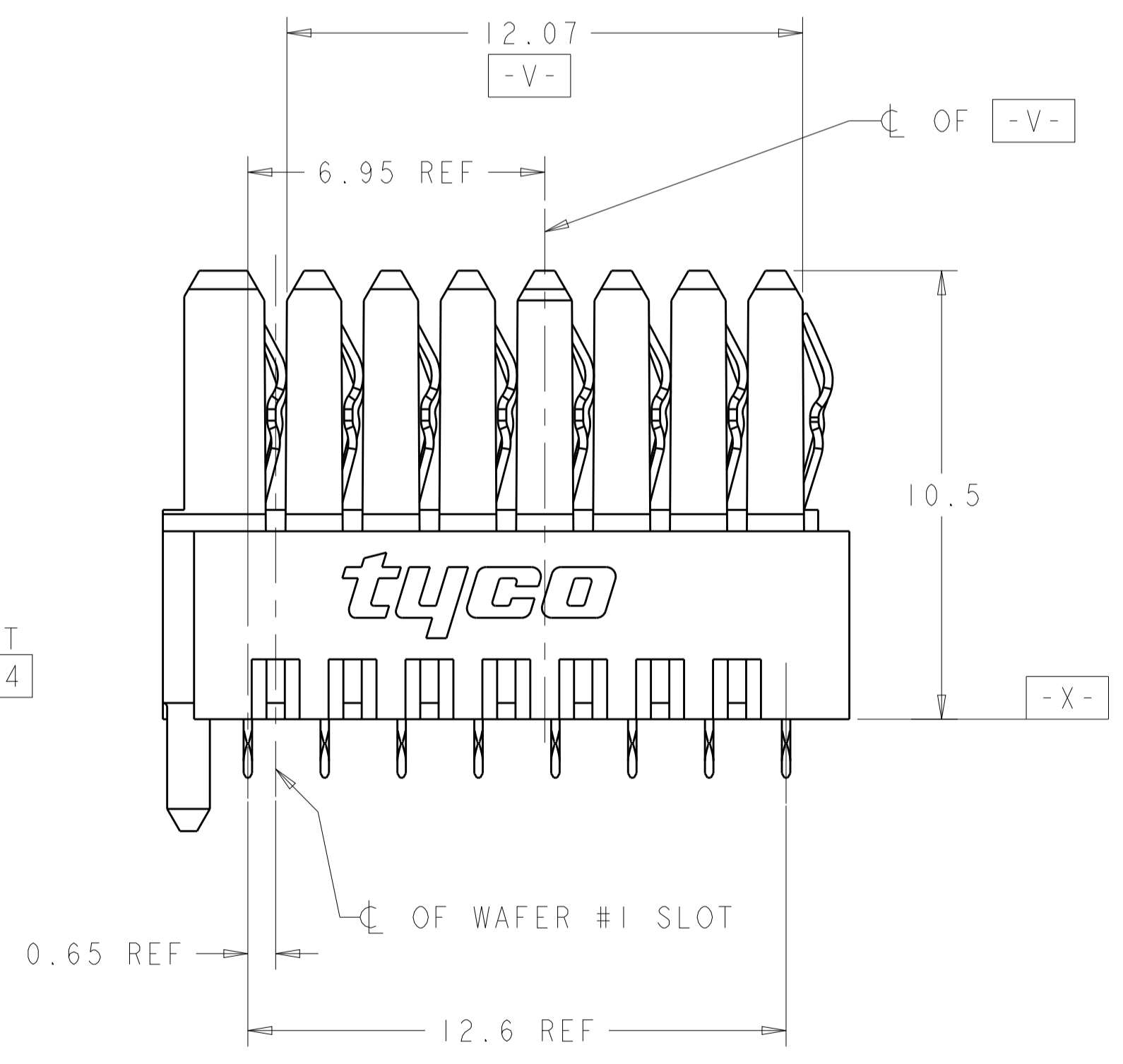
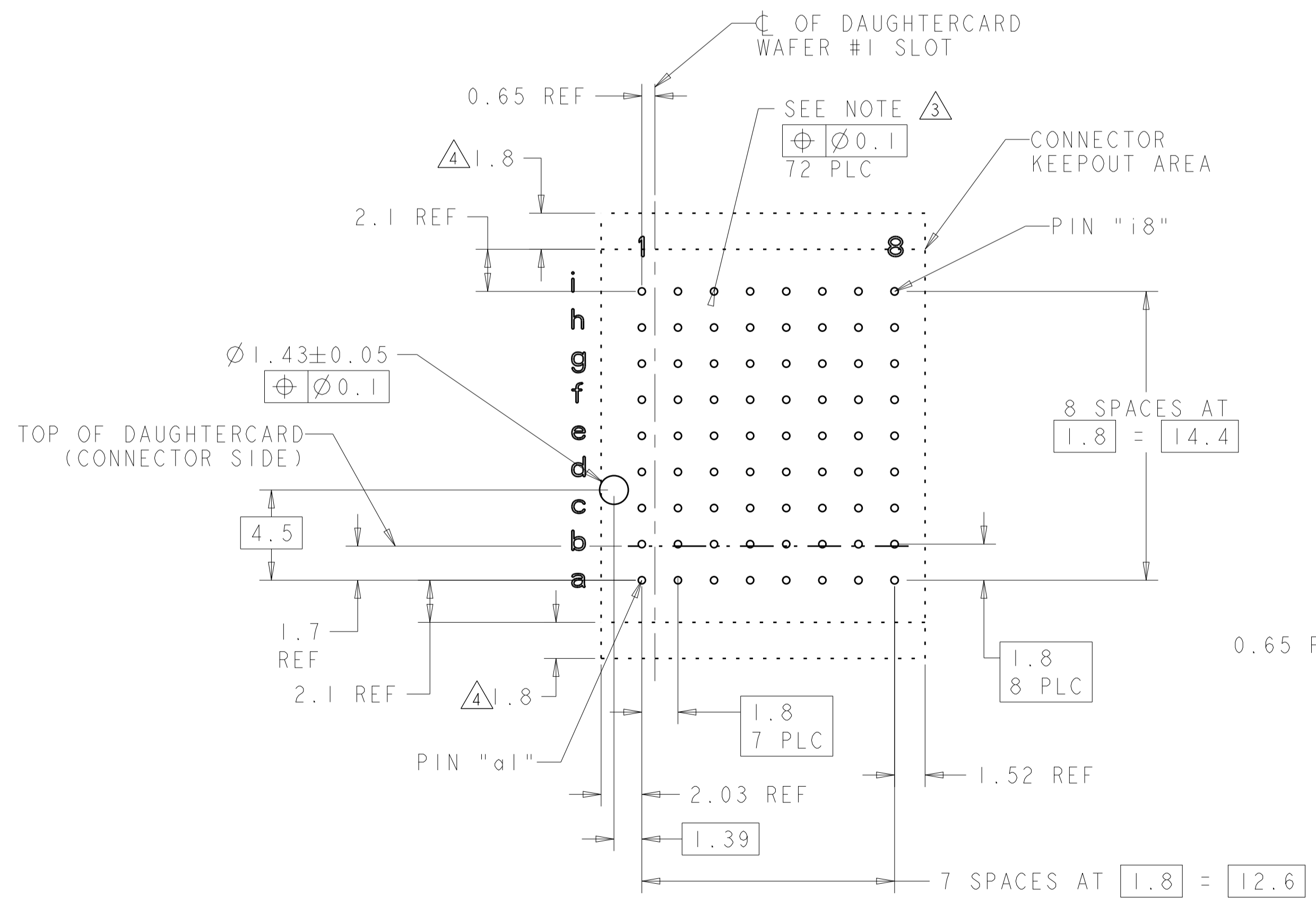


REVISIONS				
P	LTN	DESCRIPTION	DATE	APVD
A		RELEASED PER ECO-19-001811	05FEB2019	DCB AT
B		REVISED PER ECO-19-002318	14FEB2019	DCB DH



- △ HOUSING: LCP, UL94V0, COLOR: BLACK.  
CONTACT: PHOSPHOR BRONZE.
- △ FINISH: 1.27µm GOLD IN CONTACT AREA 1.27µm MIN. TIN-LEAD ON PCB TAIL OVER 2.54µm MIN. NICKEL OVER ALL.
- △ PLATED THRU HOLE SPECIFICATION:  
 DRILLED HOLE:  $\varnothing 0.45 \pm 0.02$   
 0.025-0.050 THICK COPPER PLATING (MAX HARDNESS 150 KNOOP)  
 FINISH OPTIONS:  
 0.0038-0.0124 HOT AIR SOLDER LEVELING (HASL) TIN-LEAD (SnPb)  
 0.0005-0.004 IMMERSION TIN (Sn)  
 0.0002-0.0005 ORGANIC SOLDERABILITY PRESERVATIVE (OSP)  
 0.0001-0.0005 IMMERSION SILVER (Ag)  
 0.0001-0.0005 IMMERSION GOLD OVER 0.00127-0.0076 NICKEL (ENIG)  
 FINISH HOLE DIAMETER AFTER PLATING =  $\varnothing 0.36$  REF
- △ ADDITIONAL CONNECTOR-SIDE KEEP-OUT AREA REQUIRED IF CONNECTOR-SIDE EXTRACTION TOOL IS TO BE USED.
- △ FINISH: 1.27µm MIN GOLD IN CONTACT AREA, 0.50µm MIN TIN ON PCB TAIL OVER 2.54µm MIN. NICKEL OVER ALL.



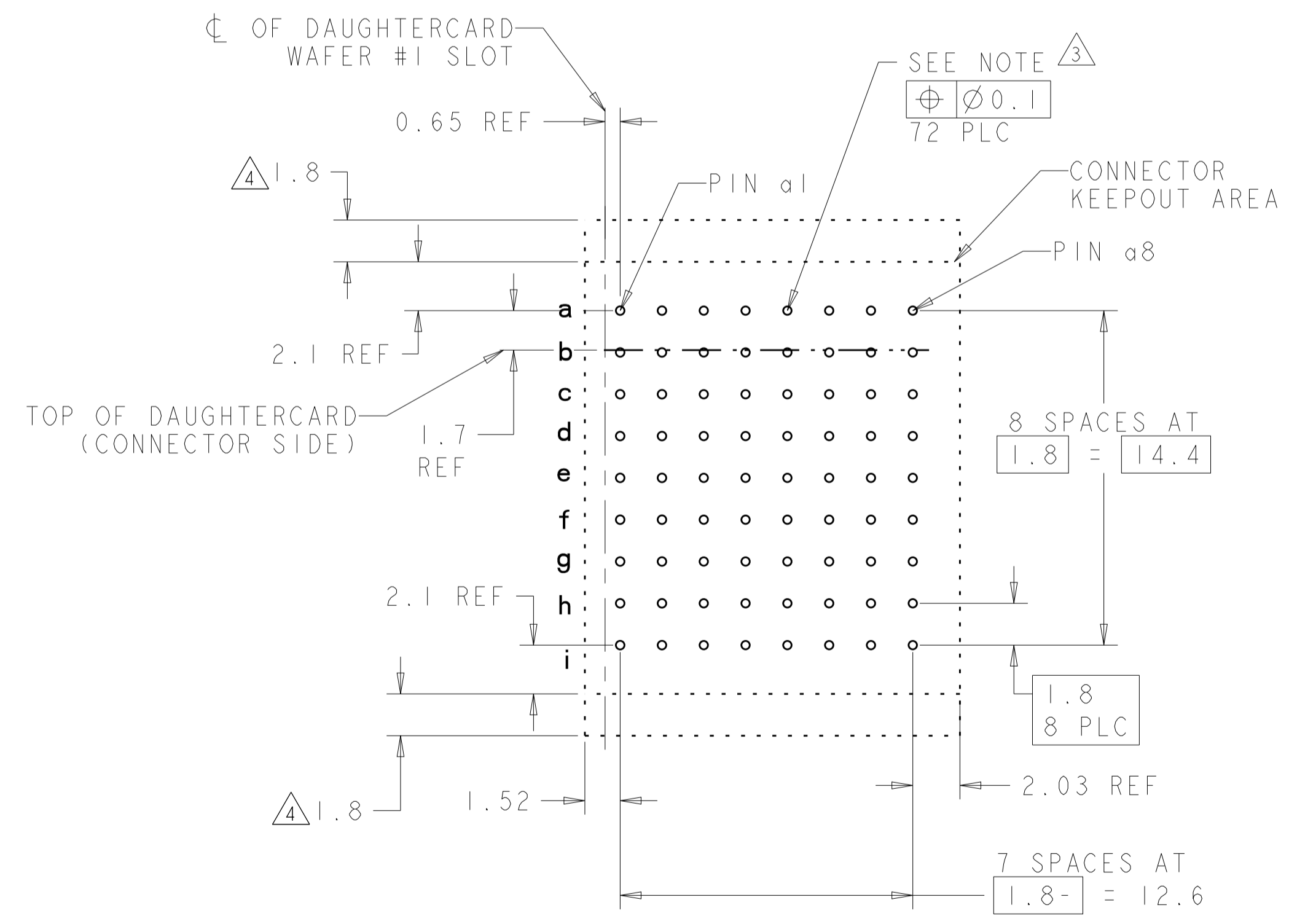
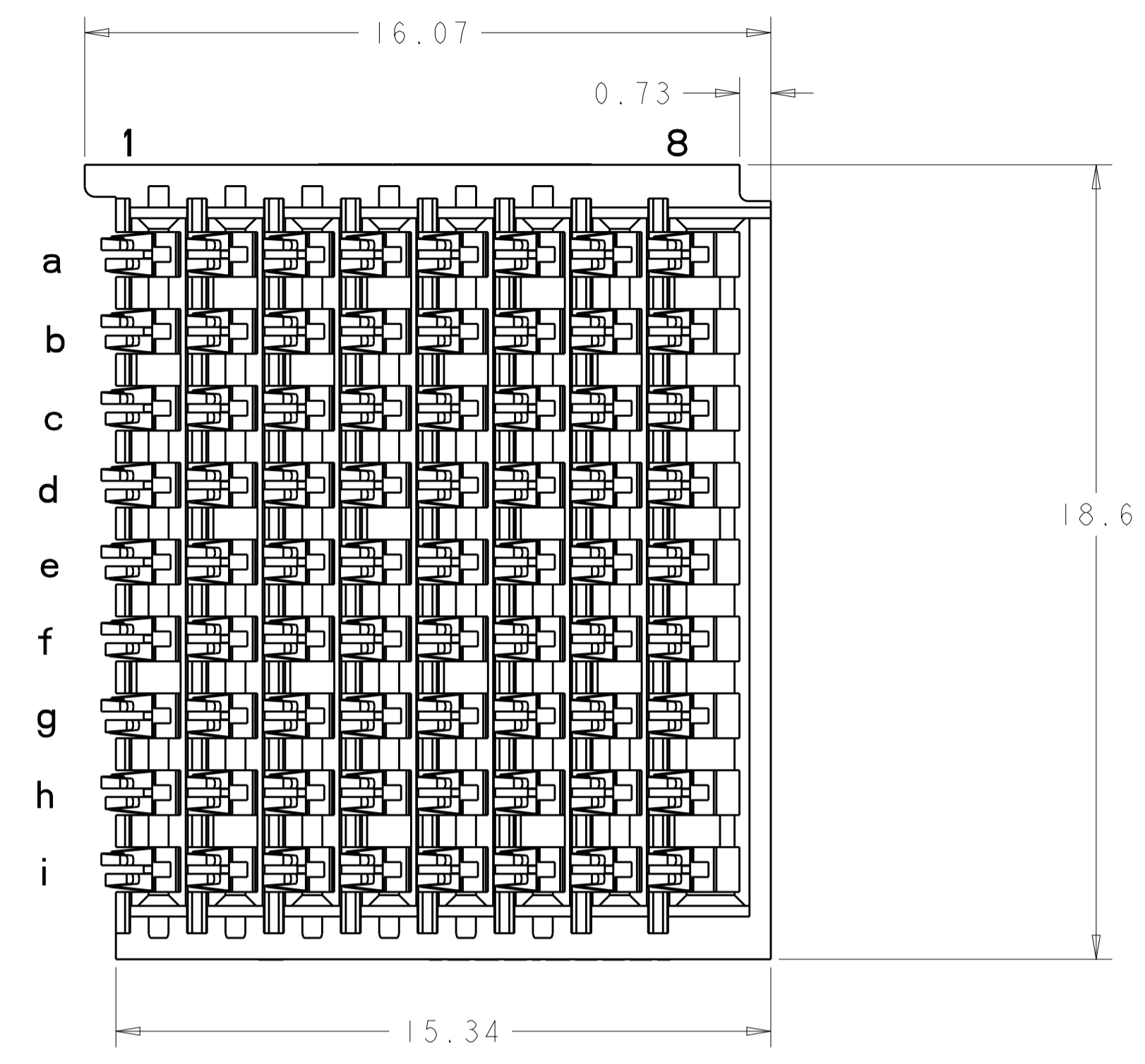
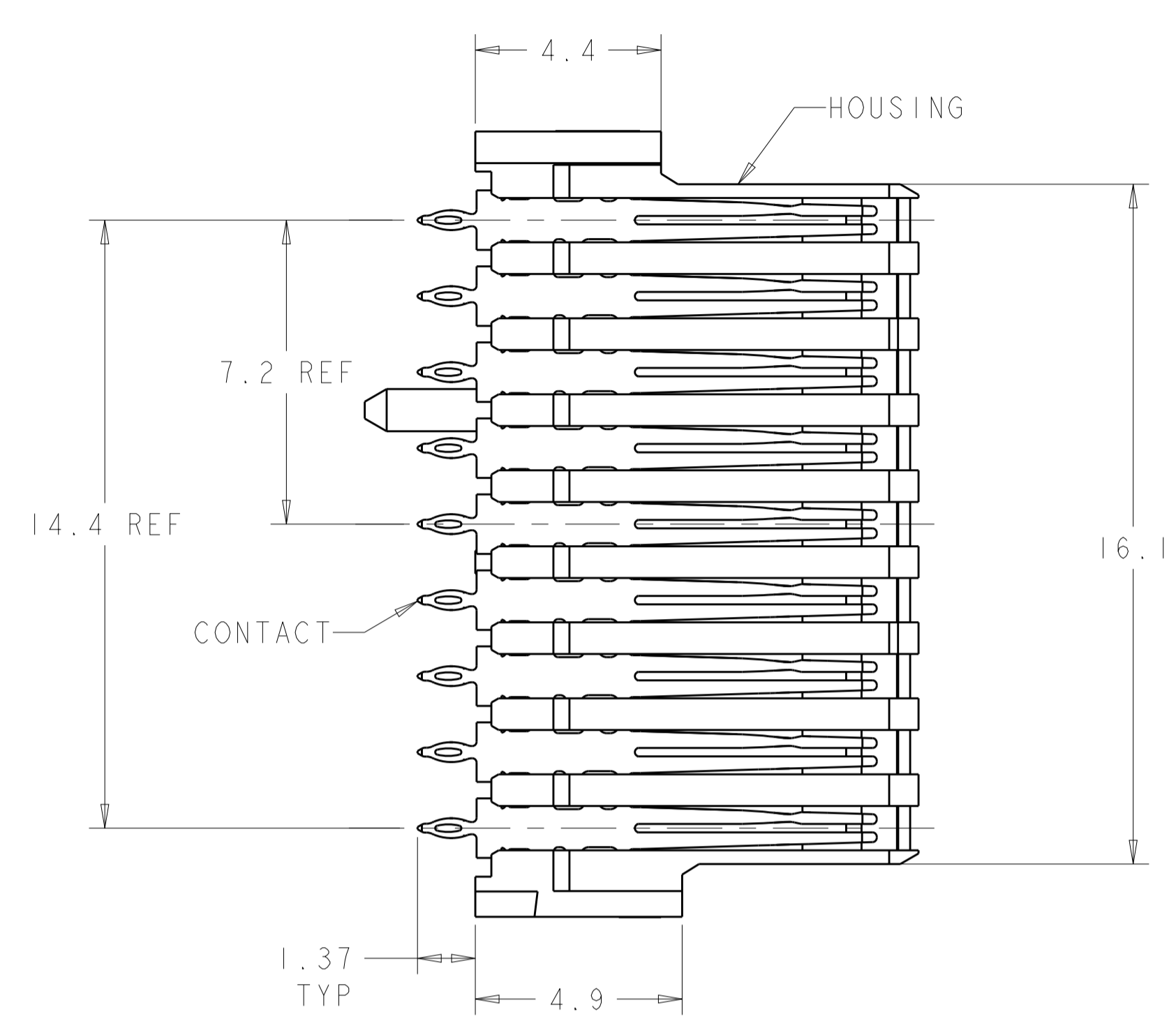
PC BOARD LAYOUT (CONNECTOR SIDE)  
 SEE SHEET 2 FOR RTM)  
 SCALE 5:1

△ 5	2302788-2
△ 2	2302788-1
PLATING	PART NO

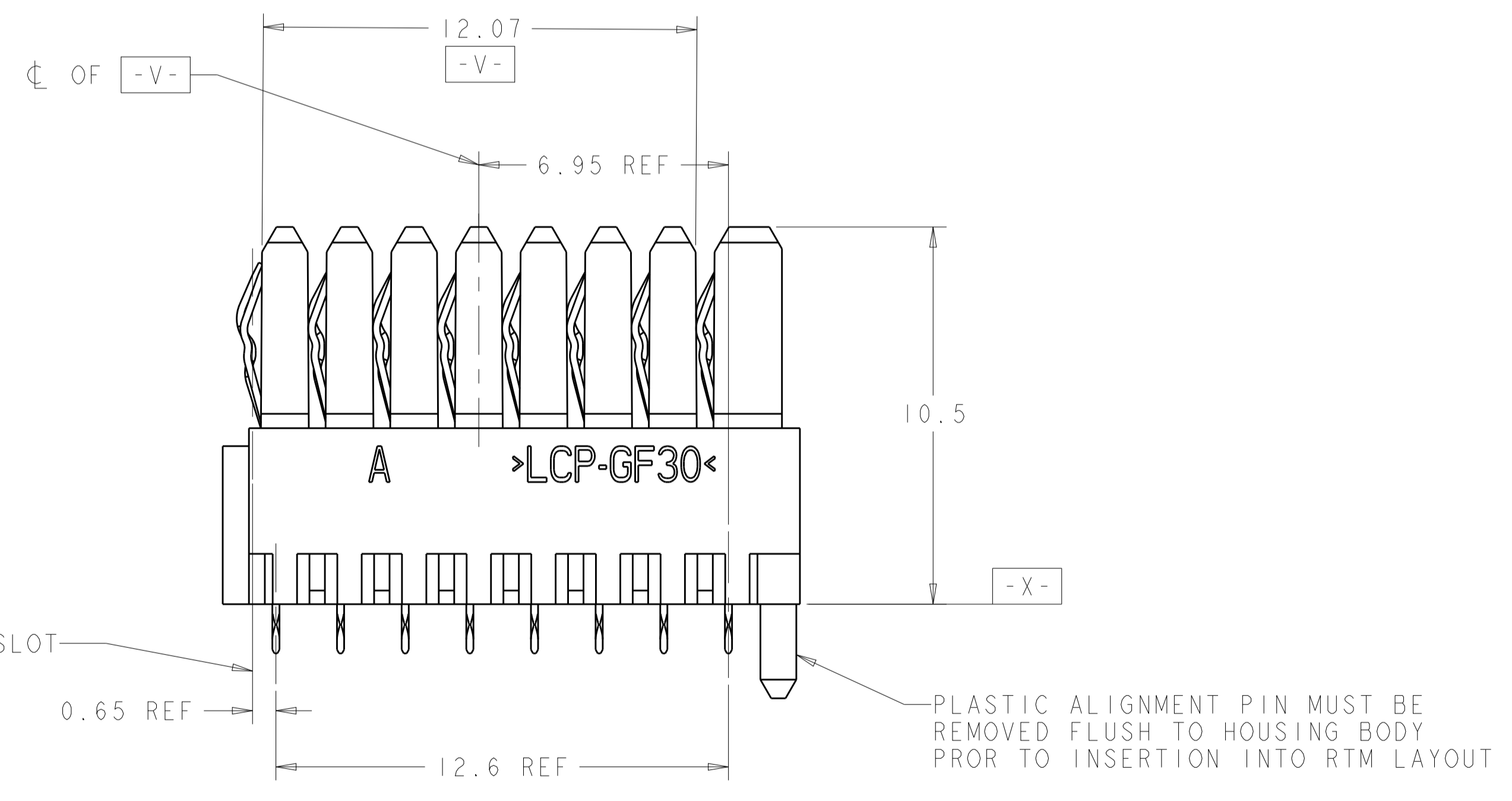
THIS DRAWING IS A CONTROLLED DOCUMENT.		OWN: R. MILLER 09AUG2016	TE Connectivity
DIMENSIONS: mm		CHK: A. TSANG 09AUG2016	
TOLERANCES UNLESS OTHERWISE SPECIFIED:		APVD:	NAME: VERTICAL RECEPTACLE ASSEMBLY, LEFT END, HALF, MULTIGIG RT 3
0 PLC ±	PRODUCT SPEC	108-2072-3	SIZE: CAGE CODE DRAWING NO
1 PLC ±0.5	APPLICATION SPEC	114-163004	RESTRICTED TO
2 PLC ±0.13	WEIGHT	3.55g	A100779C=2302788
3 PLC ±	RESTRICTED CUSTOMER	SCALE 8:1	SHEET 1 OF 2
4 PLC ±			REV B
ANGLES ±			
FINISH ±			
SEE TABLE			

REVISIONS				
P.	LTN	DESCRIPTION	DATE	APVD
-	-	SEE SHEET 1	-	-

# REAR TRANSITION MODULE APPLICATION



RTM PC BOARD LAYOUT  
(CONNECTOR SIDE)  
SCALE 5:1



THIS DRAWING IS A CONTROLLED DOCUMENT.		DWN: R. MILLER 09AUG2016	TE Connectivity
DIMENSIONS: mm		CHK: A. TSANG 09AUG2016	
DIMENSIONS: mm 0 PLC ±0.1 1 PLC ±0.5 2 PLC ±0.13 3 PLC ±0.13 4 PLC ±0.13 ANGLES ±1°		TOLERANCES UNLESS OTHERWISE SPECIFIED: PRODUCT SPEC 108-2072-3 APPLICATION SPEC 114-163004 WEIGHT 3.55g	NAME: VERTICAL RECEPTACLE ASSEMBLY, LEFT END, HALF, MULTIGIG RT 3 SIZE: A1 CAGE CODE: 2302788 RESTRICTED TO: RESTRICTED CUSTOMER
MATERIAL: SEE TABLE		RESTRICTED CUSTOMER	SCALE: 8:1 SHEET: 2 OF 2 REV: B

## X-ON Electronics

Largest Supplier of Electrical and Electronic Components

*Click to view similar products for [High Speed/Modular Connectors](#) category:*

*Click to view products by [TE Connectivity](#) manufacturer:*

Other Similar products are found below :

[650827-1](#) [74040-1346](#) [1410191-1](#) [1410368-3](#) [1410964-2](#) [1410326-3](#) [1410367-3](#) [1410971-4](#) [1467833-1](#) [2000877-1](#) [2000878-1](#) [2041314-1](#)  
[2065387-1](#) [2187307-1](#) [163P](#) [1934290-1](#) [2000875-1](#) [2065917-1](#) [2102736-2](#) [FSR-40](#) [2169868-2](#) [22354-8](#) [437-5040-000](#) [5-1393565-0](#) [039-](#)  
[0246-000](#) [0740618502](#) [0761601016](#) [0784461022](#) [10123159-12ELF](#) [030-2415-003/100 PK](#) [030-7380-004](#) [030-2494-001](#) [532939-1](#) [5532901-](#)  
[3](#) [3-1469268-7](#) [74748-102LF](#) [10041743-101LF](#) [10066670-100002LF](#) [1-533915-1](#) [249-4515-000](#) [7-1469373-3](#) [DL2-2J/S](#) [2000713-8](#)  
[2000713-7](#) [10124313-101LF](#) [3011-21](#) [757105208](#) [430305-001](#) [4395800100](#) [8140115](#)